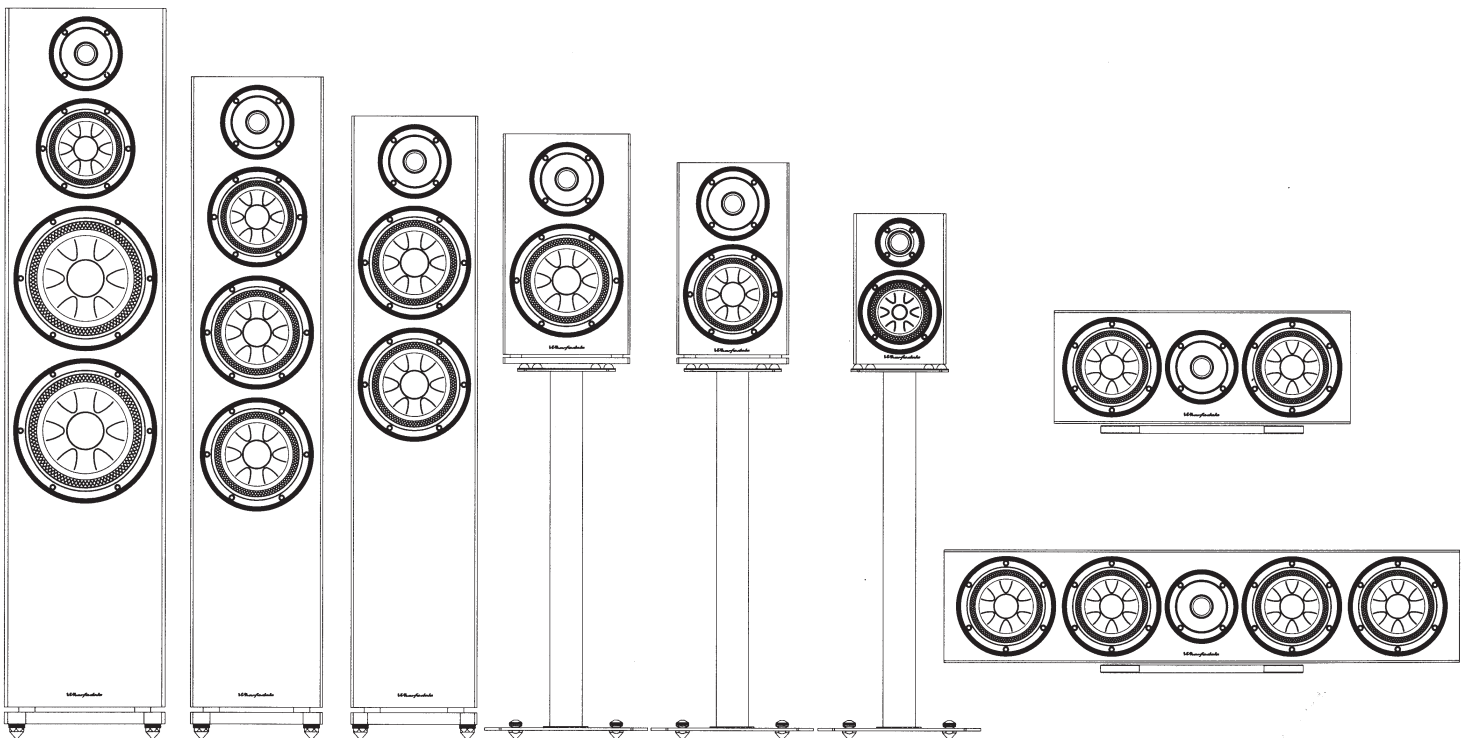


DIAMOND 200 SERIES

DIAMOND210
DIAMOND220
DIAMOND225
DIAMOND230
DIAMOND240
DIAMOND250
DIAMOND220C
DIAMOND240C



Wharfedale

BRITAIN'S MOST FAMOUS LOUDSPEAKERS

User's Manual

Important Safety Information

Before installing this product read all these instructions!



This symbol indicates that there are important operating and maintenance instructions in the literature accompanying this unit.

Read these instructions. Keep these instructions. Heed all warnings. Follow all instructions.

Before making any connections, switch all the units in your system off at the mains.

Set the volume control at minimum when you switch on your system or change sources, and turn the level up gradually.

DO NOT use your amplifier at full volume.

Ensure that all loudspeakers in the system are correctly wired.

DO NOT subject your loudspeakers to excessive cold, heat, humidity or sunlight.

Loudspeakers should not be placed directly facing other hi-fi units, or share the same shelf or cabinet.

DO NOT place heavy objects on top of loudspeakers.

Some manufacturers forbid the placing of objects on top of their TV sets. Check your TV handbook before installing the speaker directly on your TV set. Consult your TV dealer if you are in any doubt.

DO NOT connect speaker terminals to the mains supply.

DO NOT dismantle the loudspeaker. There are no user serviceable parts inside it and you will void the warranty by doing so.

Refer all servicing to qualified service personnel. Servicing is required when the apparatus has been damaged in any way, the apparatus has been exposed to rain or moisture, does not operate normally, or has been dropped.

Caution: Changes or modifications not expressly approved by the manufacturer could void the user's authority to operate this device.

Unpacking Your Loudspeaker

Diamond 200 loudspeakers come in different shapes and sizes. If you are unpacking a floor stander, please remember that these units are heavy. We suggest that you have someone to assist you.

Lift the loudspeaker carefully out of the packing. **DO NOT** try and lift the loudspeaker using the protective bag.

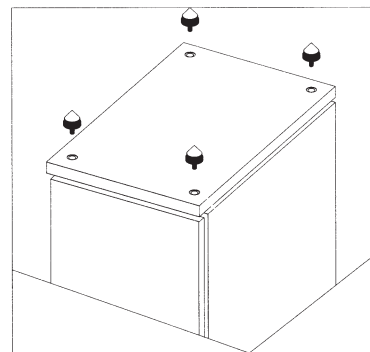
Unpack the accessories carefully.

If there is any sign of damage or if the contents are incomplete, report this to your dealer as soon as possible.

Retain the packing for future safe transport of the product. If you dispose of the packing, do so with respect to any recycling provisions in your area.

Attaching the Spikes to Floorstanding Models – 230, 240, 250

- Make sure you have plenty of unobstructed working space.
- Place a soft cloth on the floor to protect the loudspeaker.
- Invert the loudspeaker onto the cloth.
- Thread a locknut onto each spike and loosely rub it up the thread.
- Thread the spikes into the spike inserts. Tighten them finger tight.
- Invert the loudspeaker. Be careful not to damage the floor with the spikes.



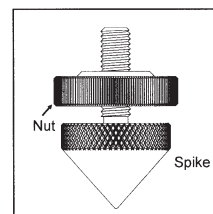
Levelling the Loudspeakers

When the speaker is upright: You will probably find that the speaker will wobble with one spike not contacting the floor. Adjust this spike until all four spikes are in contact to the floor.

With the aid of a spirit level move each spike in and out until the loudspeaker is level and sitting squarely on all four spikes without rocking.

Now tighten each locknut securely against the collar in the plinth to secure the spike.

Screw in rubber feet are provided for use on wood or stone floors etc. and should be attached in the same manner as the spikes.



Preparing the Diamond 200 Loudspeakers

Stands and Brackets

The bookshelf loudspeakers are intended primarily for stand mounting, though they can be mounted on wall brackets or even on sturdy shelves. The quality of loudspeaker stands greatly influences the performance of your loudspeakers, please do not use flimsy products.

Centre Channel Loudspeakers

Each centre channel loudspeaker is supplied with two sets of mounting feet. By using combination of large and small feet the loudspeaker may be angled to point directly at the listening position. This will be found useful when the centre speaker is positioned under the TV screen.

Cables and Connectors

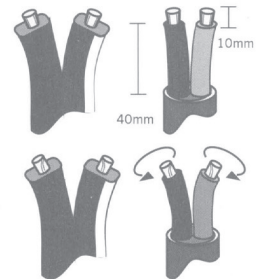
Choosing Loudspeaker Cable

Specialist audio cable usually offers better performance than general purpose 'bell' or 'zip' wire.

Choose a cable of suitable diameter – cable that is too thin will limit the dynamics of the sound and may impair the bass response. Audio cable is polarised, with two cores of different colours, or often a raised rib or coloured tracer in the case of twin cable. Before you purchase your cable, give careful thought to the positioning of your loudspeakers.

This is especially the case if you are bi-wiring your loudspeakers.

Cable lengths to loudspeaker pairs should be the same for left and right channels in order to equalise the signal transmission. Allow some slack in your speaker cables so you can alter their position to best advantage.



Preparing Loudspeaker Cable

Split the twin cores to a depth of about 40mm. Carefully strip the insulation from each end, leaving about 10mm of bare wire. If the cable is stranded, lightly twist to gather any loose strands.

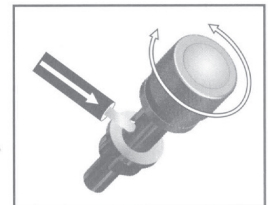
Connecting Screw Terminals

All loudspeakers use screw terminals.

Unscrew the terminal. Insert the bare end of the cable into the hole in the base of the terminal. Tighten securely.

When connecting terminals make sure you leave no strands of bare wire that can short across to adjacent terminals.

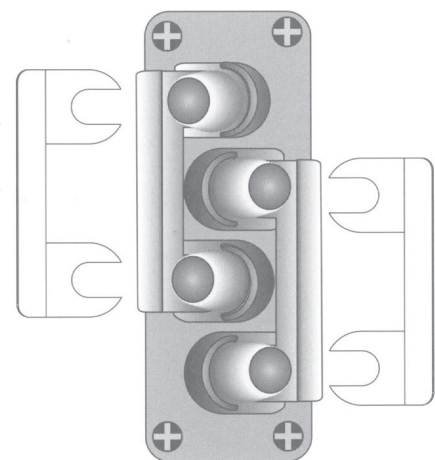
As an alternative to bare wire you can use specialist spade connectors. Your Wharfedale dealer will be pleased to advise you on this issue.



Crossover Networks

Bi-Wireable Networks

Most speakers in the Diamond 200 series use a special bi-wireable crossover panel with four terminal binding posts. Please follow the drawing carefully to see the correct orientation of the loudspeaker terminals. The upper terminals connect to the treble unit, the lower pair to the bass unit. As supplied, the treble terminal pair is connected to the bass terminal pair via removable metal straps. These should be left in place for standard installations.



Why Bi-Wire?

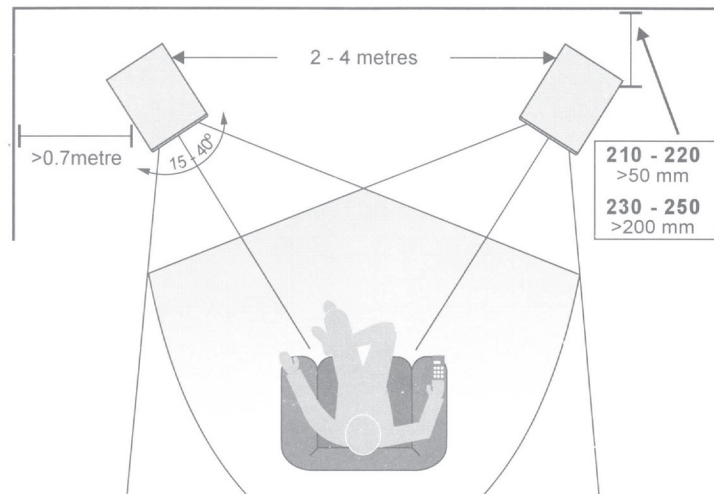
Using separate cables for treble and bass units in a bi-wiring configuration reduces intermodulation effects and improves headroom and clarity. To bi-wire, you will need to install two lengths of twin core cable between the amplifier and each loudspeaker.

Positioning the Front Loudspeakers

The 230, 240 and 250 models are designed to be floor standing. We suggest that they are positioned at least 200mm from the rear walls and 700mm from the side walls, facing slightly inwards. The 210 and 220 models should be stand or wall mounted though they may be placed on a rigid shelf. The bass extension will improve if the small speakers are operated closer to the rear wall.

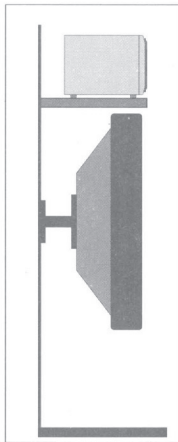
If the loudspeakers are placed too close to the walls the bass will increase but may be boomy and indistinct. If the loudspeakers are placed away from the walls, the inward angle may be increased by up to 40%, although this may restrict the width of the optimum listening position.

A useful rule of thumb is that the listener should be as far from the loudspeakers as they are from each other. The speakers should ideally be positioned so that the treble units are roughly at ear level to a seated listener. As personal taste plays a large role, experiment with different configurations and play a wide range of programmes before finalising the position of your speakers.



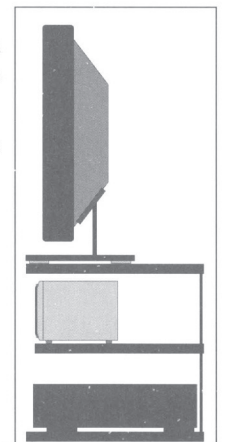
Positioning the Centre Loudspeaker

The centre channel loudspeaker should be positioned centrally between the loudspeakers, close to the television and mounted above or below the screen.



The loudspeaker should be located on a stable flat surface to avoid any cabinet movement at high sound levels. If you mount the unit above the television, move it forward so that the front grille sits slightly in front of the screen and the top of the cabinet.

A custom stand is available for the model which allows the loudspeaker to be positioned under a wall mounted monitor and has an adjustable vertical tilt for optimal dispersion.

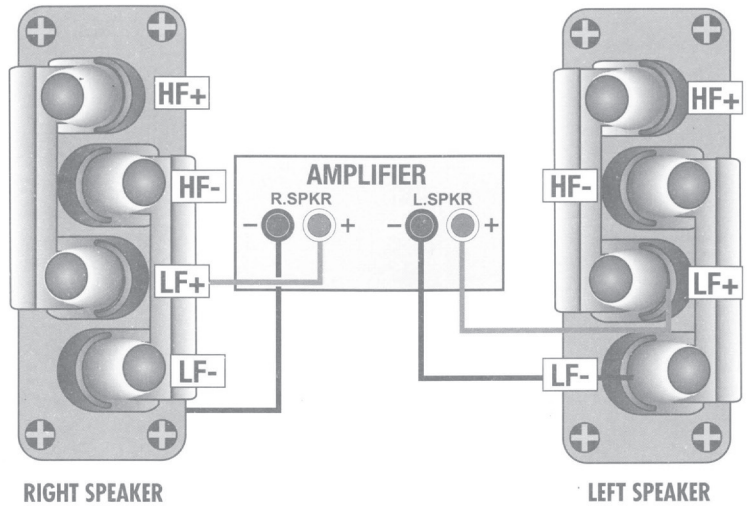


Connecting the Front Loudspeakers

Standard Connection

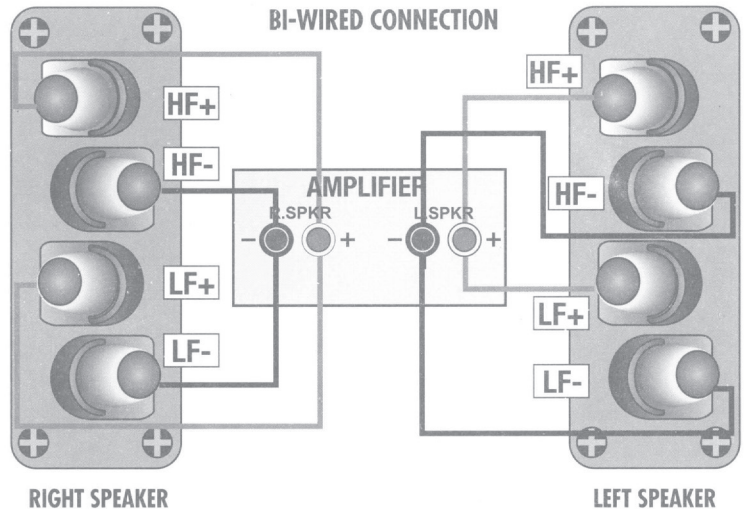
Choose a suitable length of twin core speaker cable for each channel, and prepare the ends. Unscrew each terminal a few turns.

Connect the red, positive (+) terminal of the Left loudspeaker to the corresponding red, positive (+) amplifier terminal. Connect the black, negative (-) terminals similarly. Tighten the terminals securely. Repeat this procedure for the Right channel.



Bi-Wiring

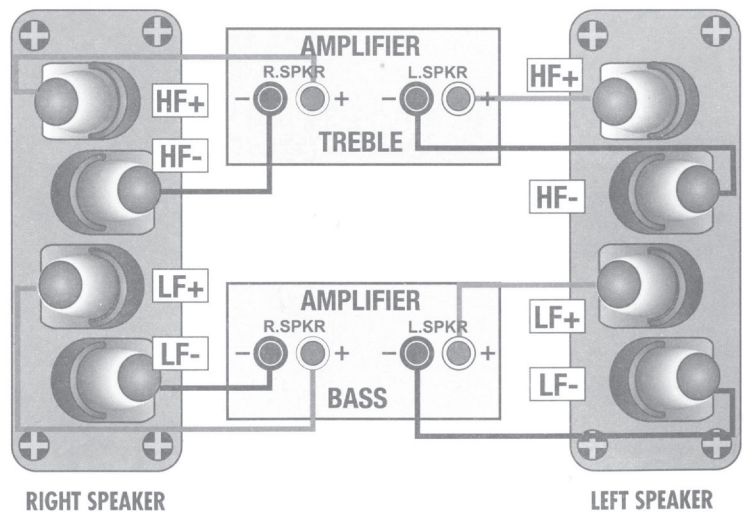
Unscrew each terminal a few turns and remove the metal straps. Connect the cables between the amplifier and the loudspeakers as indicated above and re-tighten all the terminals securely.



Bi-Amping

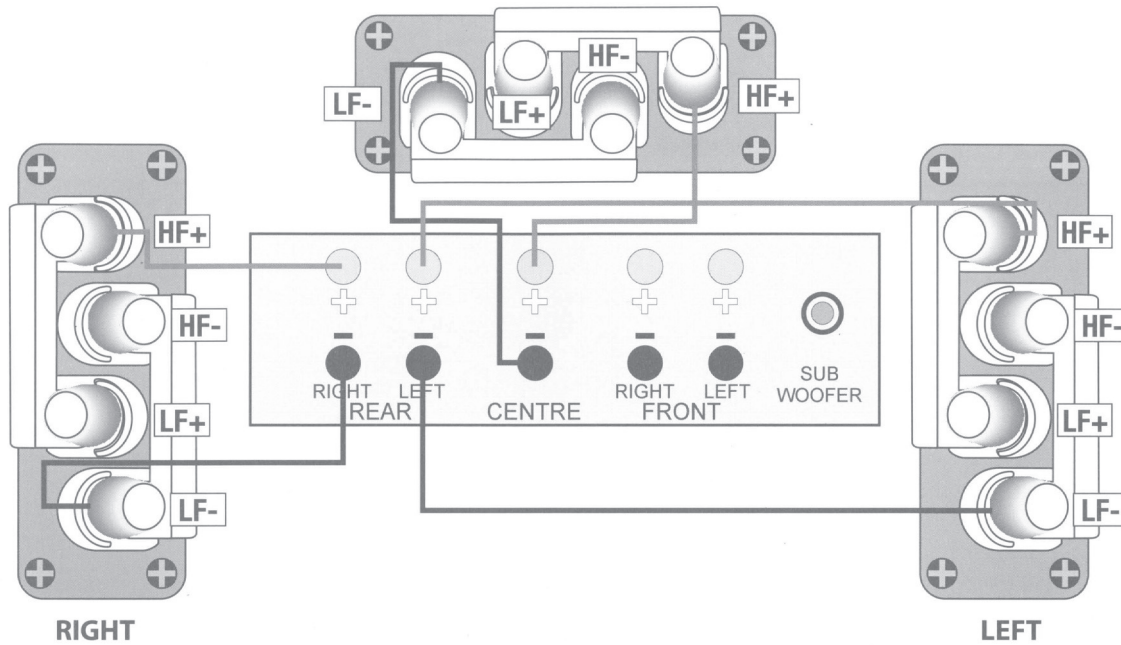
By connecting each loudspeaker drive unit to its own dedicated amplifier the advantages of bi-wiring can be extended.

IF you own two identical stereo power amplifiers, your speakers may be bi-amped. For further details please consult your dealer.



Connecting Centre Loudspeaker

The Centre channel speaker may be connected as shown, or bi-wired.



Setting Up a Home Theatre System

Placement

Front and Effects Channels: The front loudspeakers are placed on either side of the television screen, 2 to 3 metres apart. The speakers should be angled slightly so they are aimed towards the listeners.

We recommend placing the rear effects speakers in a high position, behind the listener's head. If the rear or side walls are a long way from the listening seat, consider stand mounting the loudspeakers. If the centre loudspeaker is very high or low, angle it towards the listener's ear level.

The front faces of the centre and surround loudspeakers should also be in line as far as possible.

Subwoofer: As the ear is unable to detect the direction from which deep bass originates, you have freedom to position the unit. Varying the distance from the wall alters the bass. Placing the subwoofer across a corner boosts the bass but may impair clarity. The performance of a home theatre system can be enhanced by using two subwoofers.

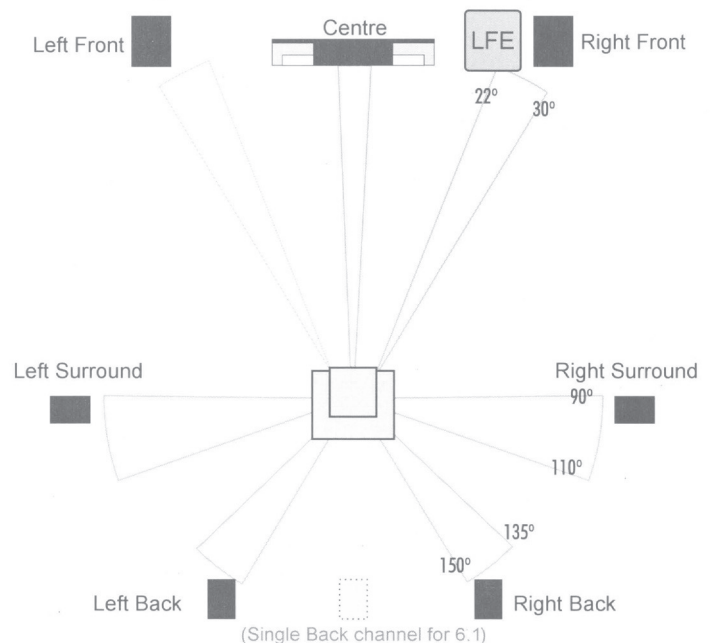
6.1 and 7.1 System Placement

Dolby Labs, DTS and THX offer 6.1 and 7.1 format. Although the precise configuration of these systems will depend on the capabilities of your processor and you should be guided by those instructions, we would make some observation.

For 6.1 and 7.1 formats the listening seat should not be too close to the rear wall.

Optimising the time delay so that information from all speakers arrives the listening seat coherently is critical of the benefits of these systems are to be fully realised.

Dolby Labs Recommended Placement for Multichannel Home Theater Systems



Setting Loudspeaker Sizes and Levels

If you are not using a subwoofer: Set the Front speakers to 'Large'. Set the 'Subwoofer' option on the processor to 'Off' or 'No'. The Front channels will now receive all the system bass.

If you are using a subwoofer: When set to 'Small' all the system bass will go into the subwoofer. If you choose 'Large' the Front channel bass will be reproduced from the Front speakers. Follow the instructions on this page for suitable size and crossover settings.

Once the loudspeaker settings have been finalised, put the A/V amplifier into its 'Test' mode (see instructions supplied with your processor). Adjust the level of each channel until all channels are reproduced at equal loudness.

On some programme material the surround channel may seem lower than the front. Do not readjust this level. You may, however, need to adjust the subwoofer output level. Avoid setting too high a level or you will swamp the sound with bass. This can be tiring to listen to, and may limit the subwoofer's ability to respond to large bass transients. You should also set a sensible level going into the subwoofer from the A/V processor. The subwoofer volume control should be between 12 o'clock and 3 o'clock.

Delay and LFE Settings

Many A/V processor feature delay settings. The purpose of delay is to enable surround and dialogue information to arrive at the listener's ears at the same time as the front channels, even when the listening seat is in a non-ideal position. On some processors, this can be achieved by setting the distance from the listening position to each speaker, but other system allow only a time delay setting.

Rear Delay: If the listening position is equidistant from the front and rear speakers, set a low delay setting. The closer the listener is to the rear speakers this higher the delay setting used should be.

Centre Delay: If the centre speaker is level with (or slightly behind) the front speakers, set the delay to zero. If the centre speaker is forward of the front speakers, increase the delay.

LFE: In the cinema the low frequency effects channel is an extra bass channel with its own subwoofer. In domestic systems the LFE channel typically feeds into the subwoofer. Where no subwoofer is used, the LFE signal is combined with the front channels and sent to the front speakers. When you set the LFE level at your A/V processor, use care as powerful low frequencies can overload domestic loudspeakers. If you hear popping or thumping noises coming from the front loudspeakers or subwoofer, immediately turn the A/V processor's volume level down and then lower the LFE level. This should cure the problem. If it does not, lower the volume level at the subwoofer (if you are using one) until the problem disappears.

Phase: Please read the relevant sections of your A/V amplifier manual and familiarise yourself with the various issues. If you are unsure, consult your dealer for help. A home theatre system should have a precise front stage, a diffuse rear stage and good localization of dialogue. If the colours on the loudspeaker terminals do not correspond with those on the amplifier, the sound will appear poorly focused or 'out of phase'. For this reason it is essential that the speakers are connected according to the wiring diagrams in this manual.

Connecting loudspeakers correctly (in phase) is essential whether the system is stereo or multichannel. This is especially important if you are bi-wiring – if only one element in a bi-wired system is incorrectly connected (out of phase), the effects can be very noticeable yet hard to pinpoint.

Troubleshooting

Before investigating a problem, always switch off the system at mains.

If your system is not working properly please work through this checklist before returning the unit to your dealer.

Symptom	Possible Cause
No Sound	System not switched on; Speaker cables shorting terminals out; Wrong source selected
Sound lacks bass content	Subwoofer not switched on
Lack of bass reproduction	Subwoofer phase incorrect; Subwoofer crossover control too low
Excessive bass distortion at low volumes	Subwoofer set to high; LFE level set too high; Subwoofer incorrectly wired
Excessive or distorted bass at high levels	System level set too high; Bass control set too high; Subwoofer too close to room corners
Distorted / rattling sound at high levels	System level set too high; Objects too close to subwoofer
Popping or thumping from the subwoofer	System level set too high; Subwoofer level set too high; LFE level set too high

Looking After Your Loudspeaker

- Your loudspeakers use special hardwearing sealed finish. They should not be waxed or treated with spray polishes which will smear and dim the finish. Occasionally polish them with a dry or barely moist cloth to remove dust and finger marks, etc.
- If you play the speakers with the grilles off exercise great care. NEVER operate speakers with the grilles off if there are children or pets in the house.
- Occasionally, remove the loudspeaker grilles and brush them gently with a soft brush before replacing them carefully.
- NEVER use a vacuum cleaner to clean loudspeaker grilles.
- NEVER stand objects on your loudspeakers. In particular do not stand flowers etc. on them – they are not jardinières!
- Avoid getting any liquid behind the grille. If you spill liquid on your loudspeakers, take them to your dealer for attention before using them again.
- DO NOT open the speakers, there are no user serviceable parts inside.
- NEVER touch the drive units either with an object or your hands.

Quality Assurance

Your loudspeakers have been constructed to the highest standards. From top grade furniture construction and finish to carefully designed and selected acoustic components, Wharfedale speakers are built to provide a lifetime of sonic pleasure. We hope you will derive many years of good service from our products.

Servicing

In the unlikely event that your unit develops a fault you should return it to your Wharfedale dealer using the original packing to ensure safe shipping.

The terms of your guarantee may vary in different countries. However, in all cases the guarantee excludes:

Liability for damage or loss occurring in transit to or from the purchaser.

All damage caused through accident, misuse, wear and tear, neglect, incorrect installation, adjustment or repair by unauthorised personnel.

Wharfedale will not be liable for any consequential damage, loss or injury, arising from or in conjunction with this equipment.

Service Centre Address

For technical support, servicing or product queries and information please contact either your local retailer or the office below.

UK

IAG Service Dept.

13/14 Glebe Road

Huntingdon

Cambridgeshire

PE29 7DL

UK

Tel: +44(0)1480 452561

Fax: +44(0)1480 413403

For information on other authorised service centres worldwide contact Wharfedale International, UK.

A world wide distributors list is available on the Wharfedale website: www.wharfedale.co.uk

Specifications

Model	210	220	225
General description	2-way bookshelf speaker	2-way bookshelf speaker	2-way bookshelf speaker
Enclosure type	bass reflex	bass reflex	bass reflex
Transducer complement	2-way	2-way	2-way
Bass driver	100mm Woven Kevlar Cone	130mm Woven Kevlar Cone	165mm Woven Kevlar Cone
Midrange driver			
Treble driver	25mm Soft Dome	25mm Soft Dome	25mm Soft Dome
AV shield	No	No	No
Sensitivity (2.83V @ 1m)	86dB	86dB	87dB
Recommended amplifier power	15-75W	25-100W	25-120W
Peak SPL	90dB	95dB	96dB
Nominal impedance	8Ω Compatible	8Ω Compatible	8Ω Compatible
Minimum impedance	4.1Ω	4.1Ω	4.2Ω
Frequency response (+/-3dB)	68Hz ~ 20kHz	56Hz ~ 20kHz	45Hz ~ 20kHz
Bass extension (-6dB)	58Hz	45Hz	40Hz
Crossover frequency	2.3kHz	2.2kHz	2.3kHz
Cabinet Volume (in litres)	3.2L	7L	10.3L
Dimensions (mm)			
Height (on plinth)	232mm	315mm	355mm
Width	143mm	174mm	196mm
Depth (with terminals)	(165+5)mm	(227+28)mm	(262+28)mm
Carton size	415*260*330mm	495*320*410mm	540 x 360 x 450mm
Net weight	2.6kg / pcs	5.3kg / pcs	6.5kg / pcs
Gross weight	6.5kg / ctn	12.6kg / ctn	15.2kg / ctn
Standard accessories			
Optional accessories			

Specifications

Model	230	240	250
General description	2.5-way floorstanding speaker	3-way floorstanding speaker	3-way floorstanding speaker
Enclosure type	bass reflex	bass reflex	bass reflex
Transducer complement	2.5-way	3-way	3-way
Bass driver	165mm Woven Kevlar Cone	165mm Woven Kevlar Cone x 2	200mm Woven Kevlar Cone x 2
Midrange driver	165mm Woven Kevlar Cone	130mm Woven Kevlar Cone	130mm Woven Kevlar Cone
Treble driver	25mm Soft Dome	25mm Soft Dome	25mm Soft Dome
AV shield	No	No	No
Sensitivity (2.83V @ 1m)	88dB	89dB	89dB
Recommended amplifier power	25-150W	25-150W	25-200W
Peak SPL	102dB	102dB	110dB
Nominal impedance	8Ω Compatible	4Ω	6Ω
Minimum impedance	3.7Ω	3.0Ω	3.1Ω
Frequency response (+/-3dB)	40Hz ~ 20kHz	40Hz ~ 20kHz	35Hz ~ 20kHz
Bass extension (-6dB)	37Hz	35Hz	32Hz
Crossover frequency	2.3kHz	470Hz & 2.7kHz	350Hz & 2.5kHz
Cabinet Volume (in litres)	35L	Mid internal 10.6L Bass internal 37.2L	Mid internal 8L Bass internal 66.3L
Dimensions (mm)			
Height (on plinth)	(938+25)mm	(998+25)mm	(1103+25)mm
Width	196mm	204mm	250mm
Depth (with terminals)	(306+28)mm	(366+28)mm	(396+28)mm
Carton size	420*310*1060mm	480*320*1120mm	510*365*1225mm
Net weight	17.8kg / pcs	21.6kg / pcs	29.4kg / pcs
Gross weight	21.2kg / ctn	25.2kg / ctn	34.5kg / ctn
Standard accessories	spike / spike seat	spike / spike seat	spike / spike seat
Optional accessories			

Specifications

Model	220C	240C
General description	2-way centre speaker	2-way centre speaker
Enclosure type	bass reflex	bass reflex
Transducer complement	2-way	2-way
Bass driver	130mm Woven Kevlar Cone x 2	130mm Woven Kevlar Cone x 4
Midrange driver		
Treble driver	25mm Soft Dome	25mm Soft Dome
AV shield	Yes	Yes
Sensitivity (2.83V @ 1m)	89dB	90dB
Recommended amplifier power	25-150W	25-200W
Peak SPL	95dB	96dB
Nominal impedance	8Ω Compatible	8Ω Compatible
Minimum impedance	4Ω	4Ω
Frequency response (+/-3dB)	60Hz ~ 20kHz	50Hz ~ 20kHz
Bass extension (-6dB)	55Hz	45Hz
Crossover frequency	2.3kHz	2.1kHz
Cabinet Volume (in litres)	11.8L	20.9L
Dimensions (mm)		
Height (on plinth)	(174+16)mm	(174+16)mm
Width	470mm	800mm
Depth (with terminals)	((236+28)mm	(236+28)mm
Carton size	560*3320*280mm	890 x 330 x 280mm
Net weight	8.5kg / pcs	14.5kg/pcs
Gross weight	10kg / ctn	16kg / ctn
Standard accessories	rubber feet	rubber feet
Optional accessories	centre base	centre base

Note: The right is reserved to alter performance, specification and appearance as required.

Wharfedale

IAG House, 13/14 Glebe Road, Huntingdon, Cambridgeshire, PE29 7DL, UK
Tel: +44(0)1480 452561 Fax: +44(0)1480 413403 <http://www.wharfedale.co.uk>
IAG reserves the right to alter the design and specifications without notice. All rights reserved © IAG Group Ltd.
Wharfedale is a member of the International Audio Group. CODE: WH14-MNL005a

Installation Guide

Manuel d'utilisateur

Gebrauchsanleitung

Istruzioni per l'Uso

Gebruiksaanwijzing

Instrucciones de uso

Instruções para o Utilizador

用户安装手册

International

Wharfedale

BRITAIN'S MOST FAMOUS LOUDSPEAKERS

**1**

CAUTIONS! ATTENTIONS! WARNUNGS! AVVERTENZE!
WAARSCHUWINGS! PRECAUCIONES! ATENÇÃO! 注意!

2**1**

UNPACKING DEBALLAGE AUSPACKEN DISIMBALLAGGIO
UITPAKKEN DESEMBALAGEM DESEMBALAJE 开封您的扬声器

4**2**

TERMINAL PANELS PLAQUETTES DE CONNEXION ANSCHLUßBORD
VASCHETTA COLLEGAMENTI KLEMMENBORD PANELES DE TERMINALES
PAINEL DOS TERMINAIS 接头端子面板

5**3**

STANDARD LOUDSPEAKER CONNECTIONS RACCORDEMENT NORMALE
STANDARD LAUTSPRECHERANSCHLÜSSE COLLEGAMENTO CONVENZIONALE
TRADITIONELE AANSLUITINGEN CONEXIÓN NORMAL
LIGAÇÕES DE COLUNAS CONVENCIONAIS 扬声器的常规连接

7**4**

BI-WIRING & BI-AMPING BI-CÂBLAGE ET BI-AMPLIFICATION
BICONEXIÓN Y BIAMPLIFICACIÓN BI-AMPLIFICAÇÃO E BI-CABLAGEM
双接线和双放大器

8**5**

PHASE FASE 相位

9**6**

ROOM POSITIONING DISPOSITION DES ENCEINTES POSITIONIERUNG IM RAUM
POSIZIONAMENTO NEL LOCALE PLAATSING IN DE KAMER
COLOCACION EN LA HABITACION POSICIONAMENTO NA SALA 放置您的扬声器

10**7**

HOME CINEMA (1) 环绕系统接线示意图

12**8**

HOME CINEMA (2) 距离及高度设置示意图

13**9**

HOME CINEMA (3) 5.1/6.1/7.1布局示意图

14**10**

SOUND LEVEL NIVEAU SONORE SCHALLPEGEL LIVELLO ACUSTICO
GELUIDSNIVEAU NIVEL DE SONIDO NÍVEL SONORO 声音电平

15**11**

CARE AND MAINTENANCE ENTRETIEN PFLEGE UND WARTUNG MANUTENZIONE
ZORG EN ONDERHOUD CUIDADO Y MANTENIMIENTO CUIDADOS E MANUTENÇÃO
维护与保养

16**12**

WARRANTY GARANTIE GARANTIEBESTIMMUNGEN GARANTIA
GARANTIEVOORWAARDEN GARANZIA GARANTÍA 质量保修

17



A

Before installing this product read all these instructions. (A+B)

Avant d'installer les haut-parleurs lisez l'ensemble des instructions. (A+B)

Lesen Sie diese Gebrauchsanleitung vor dem Installieren des Geräts. (A+B)

Leggere tutte le istruzioni prima di installare il prodotto. (A+B)

Alvorens dit product te installeren, al deze aanwijzingen lezen. (A+B)

Lea estas instrucciones antes de proceder a la instalación del producto. (A+B)

Leja todas estas instruções antes de instalar este produto. (A+B)

本系统提供了十分重要的安装及使用指导，请您在安装产品前详细阅读。(A+B)

A

Instruction Manual
Manuel d'utilisateur
Gebrauchsanleitung
Istruzioni per l'Uso
Gebruiksaanwijzing
Instrucciones de uso
Instruções para o Utilizador
用户安装指南

B



Wharfedale

CAUTIONS!

GBR Before making any connections, switch the amplifier off.

When you switch on your system or change sources, set the volume control at minimum and turn the level up gradually.

DO NOT use your amplifier at full volume.

Ensure that all loudspeakers in the system are correctly wired and are in phase.

DO NOT subject your loudspeakers to excessive cold, heat, humidity or sunlight.

DO NOT place heavy objects on top of loudspeaker cabinets.

DO NOT connect your loudspeaker to the mains supply.

DO NOT attempt to dismantle the loudspeaker. There are no user serviceable parts inside it and you will void the warranty.

WARNUNGS!

GER Den Verstärker ausschalten, wenn Sie Anschlüsse vornehmen.

Wenn Sie das System einschalten oder eine andere Klangquelle wählen, stellen Sie die Lautstärke auf den Minimalpegel ein und drehen Sie die Lautstärke allmählich auf.

Betreiben Sie Ihren Verstärker nicht bei voller Lautstärke. Stellen Sie sicher, daß alle Lautsprecher im System phasenrichtig und korrekt angeschlossen sind.

Setzen Sie Ihre Lautsprecher NICHT extremer Kälte, Wärme, Feuchtigkeit oder Sonneneinstrahlung aus.

Stellen Sie KEINE schweren Gegenstände auf die Lautsprecherboxen.

Schließen Sie Ihre Lautsprecher NICHT an eine Netzsteckdose an.

Versuchen Sie NICHT, den Lautsprecher auseinanderzunehmen. Sie enthalten keine vom Benutzer zu wartenden Teile, und Ihre Garantie wird hinfällig.

ATTENTIONS!

FRA Avant de procéder à un raccordement quelconque, arrêtez l'amplificateur.

Lors de la mise en marche du système ou d'un changement des sources, réglez la commande de volume au minimum et augmentez graduellement le volume.

N'UTILISEZ PAS votre amplificateur avec le volume à fond.

Vérifiez que tous les haut-parleurs du système sont correctement câblés et en phase.

N'EXPOSEZ PAS les haut-parleurs à un froid, une chaleur, une humidité ou des rayons solaires excessifs.

NE PLACEZ PAS d'objets lourds sur les enceintes des haut-parleurs.

NE BRANCHEZ PAS les haut-parleurs à l'alimentation secteur.

N'ESSAYEZ PAS de démonter les haut-parleurs. Ceux-ci ne comportent aucune pièce réparable et leur démontage annule la garantie.

AVVERTENZE!

ITA Scollegare l'amplificatore quando si effettua qualunque collegamento.

Quando si accende l'impianto o si cambia fonte, impostare inizialmente al minimo il comando del volume e successivamente aumentarne gradualmente il livello.

NON USARE l'amplificatore al massimo volume.

Accertarsi che tutti gli altoparlanti presenti nell'impianto siano collegati correttamente e in fase tra di loro

NON ESPORRE gli altoparlanti a condizioni di freddo, caldo, umidità eccessive o alla luce solare diretta.

NON COLLOCARE oggetti pesanti sopra agli altoparlanti

NON COLLEGARE gli altoparlanti alla rete.

NON CERCARE di smontare gli altoparlanti. Essi non contengono parti riparabili dall'utente e in tal modo si renderà nulla la garanzia.

WAARSCHUWINGS!

NED Bij maken van eventuele aansluitingen versterker uitschakelen.

Bij inschakelen van uw systeem of overschakelen op andere bron, sterkteregelaar op minimum zetten en niveau langzaam laten opkomen.

Controleren dat all luidsprekers in het systeem juist aangesloten en in fase zijn.

NOOIT uw luidsprekers aan overmatige hitte, vochtigheid of zonlicht blootstellen.

GEEN zware voorwerpen boven op luidsprekerboxen zetten.

NOOIT uw luidspreker op het net aansluiten.

NOOIT proberen de luidspreker te demonteren. Hij bevat geen onderdelen die door de gebruiker onderhouden kunnen worden en dit maakt de garantie ongeldig.

ATENÇÃO!

POR Desligue o amplificador, sempre que pretender efectuar quaisquer ligações.

Que ligar o seu sistema ou alterar as fontes, regule o controlo de volume para o mínimo e aumente gradualmente o nível.

NÃO utilize o seu amplificador com o volume máximo.

Certifique-se de que todas as colunas no sistema estão devidamente ligadas e colocados em fase.

NÃO submeta as suas colunas ao frio, calor, humidade ou luz solar excessivas.

NÃO coloque objectos pesados em cima das caixas das colunas.

NÃO ligue as suas colunas à corrente eléctrica.

NÃO tente desmontar as suas colunas. Não existem quaisquer peças no interior que requeiram uma manutenção efectuada por si. Este procedimento apenas invalidará a sua garantia.

PRECAUCIONES!

ESP Cuando efectúe una conexión, desconecte el amplificador.

Cuando conecte el sistema o cambie las fuentes, ajuste el control de volumen al mínimo y aumente el nivel poco a poco.

NO use el amplificador a todo volumen.

Asegúrese de que todos los altavoces del sistema están conectados correctamente y en fase.

NO exponga los altavoces a temperaturas demasiado frías, calientes, excesiva humedad o luz directa del sol.

NO coloque ningún objeto pesado encima de la carcasa del altavoz.

NO conecte el altavoz a la red de alimentación.

NO intente desmantelar el altavoz. En su interior no hay piezas utilizables para el usuario y se invalidaría la garantía.

注意!

CHN 在进行任何器材连接前，请先关闭放大器电源。

在您打开您的系统或改变声源时，请将音量调至最小，并逐渐调升声音电平。

不要以最大音量使用您的放大器。

请确保系统的所有扬声器连线都是正确的。

不要将您的扬声器置于过冷，过热，潮湿或日光直射的环境中。

不要在扬声器顶部置放重物。

不要将扬声器连接到交流电源上。

不要试图拆卸扬声器。扬声器内部没有用户可自行维修的部件。如果您随意拆卸，会使我们对您的质量保证失效。

1

UNPACKING

DEBALLAGE

AUSPACKEN

DISIMBALLAGGIO

UITPAKKEN

DESEMBALAGEM

DESEMBALAJE

开封您的扬声器

GBR After taking out the top-most packing piece the loudspeakers can be lifted from the carton and the polythene bags removed. Check each loudspeaker after unpacking and in the event of any transit damage, immediately contact your Wharfedale dealer. We suggest you retain the packaging.

FRA Après avoir sorti l'élément d'emballage supérieur, retirez les enceintes du carton et sortez-les des sacs plastiques. Vérifiez le bon état de chaque enceinte, et en cas de dommages, contactez immédiatement votre revendeur Wharfedale. Nous vous conseillons de garder toutes les pièces de l'emballage.

GER Nachdem die oberste Verpackungsschicht abgenommen ist, können die Lautsprecher aus dem Karton herausgenommen und die Plastikbeutel entfernt werden. Untersuchen Sie jeden Lautsprecher nach dem Auspacken. Falls beim Transport Beschädigungen aufgetreten sind, benachrichtigen Sie bitte sofort Ihren Wharfedale-Fachhändler. Wir raten Ihnen, die Verpackung aufzubewahren.

ITA Dopo avere tolto il pezzo superiore dell'imballi, sollevare le casse acustiche dalla scatola di cartone e togliere gli involucri di plastica. Controllare entrambe le casse acustiche dopo averle disimballate per verificare che non abbiano subito danni durante il trasporto; se fossero danneggiate, contattare immediatamente il rivenditore Wharfedale. Si consiglia di conservare l'imballi.

NED Haal eerst het bovenste verpakkingsstuk uit de doos waarna u de luidsprekers eruit tilt en de plastic zakken verwijdert. Controleer na het uitpakken of beide luidsprekers in orde zijn en in het geval van transportschade moet u onmiddellijk contact opnemen met uw Wharfedale dealer. Wij raden u aan om de hele verpakking.

ESP Después de sacar la pieza de embalaje superior, los altavoces se pueden sacar, levantándolos, de la caja y se pueden retirar las bolsas de polietileno. Verifique cada altavoz después de sacarlo de la caja y en el caso de algún daño ocurrido durante el transporte, contacte inmediatamente con su concesionario de Wharfedale. Sugerimos que conserve todo el material de embalaje.

POR Comece por retirar a parte superior da embalagem, levante as colunas da caixa e remova os sacos de politeno. Verifique cada uma das colunas depois de as desembalar e, em caso de dano em trânsito, contacte imediatamente o seu revendedor Wharfedale. Sugerimos que conserve a caixa e os materiais de embalagem.

CHN 将顶部音箱包装护角取出，音箱就可以从卡通箱中提出来，取下塑料袋，打开包装之后，检查每一个音箱是否受损，如发现有任何运输造成的损伤，请立即联系产品的经销商。建议您保留包装箱以备后用。

2

TERMINAL PANELS

PLAQUETTES DE CONNEXION

ANSCHLUßBORD

KLEMMENBORD

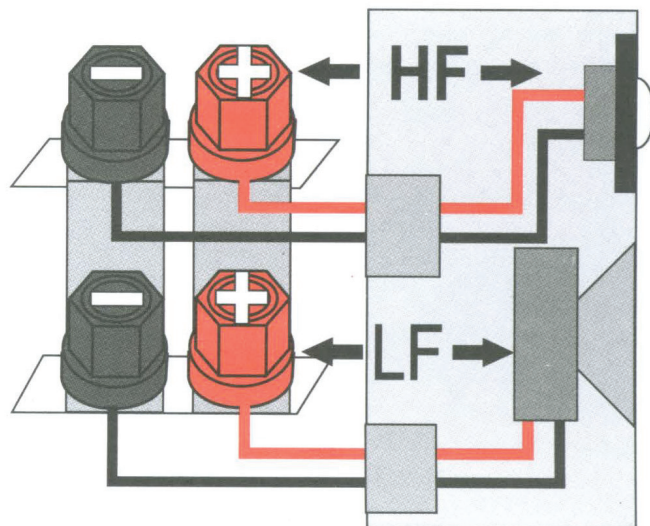
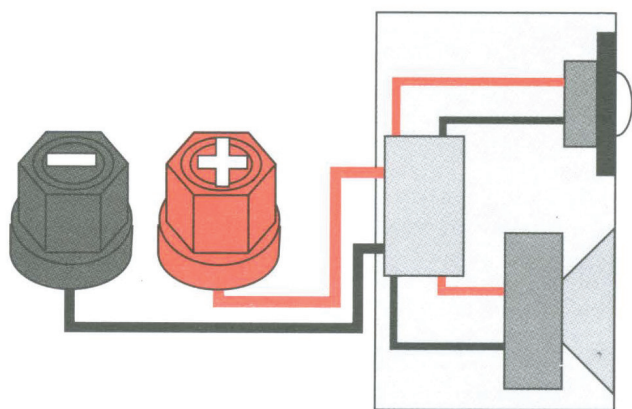
VASCHETTA COLLEGAMENTI

PANELES DE TERMINALES

PAINEL DOS TERMINAIS

接头端子面板

- GBR** Your loudspeakers use two or four terminals.
- FRA** Les haut-parleurs utilisent deux ou quatre bornes.
- GER** Ihre Lautsprecher besitzen zwei oder vier Anschlußklemmen.
- ITA** I diffusori usano due o quattro morsetti.
- NED** Uw luidsprekers gebruiken twee of vier aansluitklemmen.
- ESP** Los altavoces utilizan dos o cuatro terminales
- POR** As suas colunas utilizam dois ou quatro terminais
- CHN** 您的扬声器有两个或四个接头端子。



CAUTION!

ATTENTION! WARNING!

WAARSCHUWING!

AVVERTENZE! PRECAUCION!

ATENÇÃO!

注意!

GBR Before making any connections, switch the amplifier off.

FRA Avant de procéder à un raccordement quelconque, arrêtez l'amplificateur.

GER Den Verstärker ausschalten, wenn Sie Anschlüsse vornehmen.

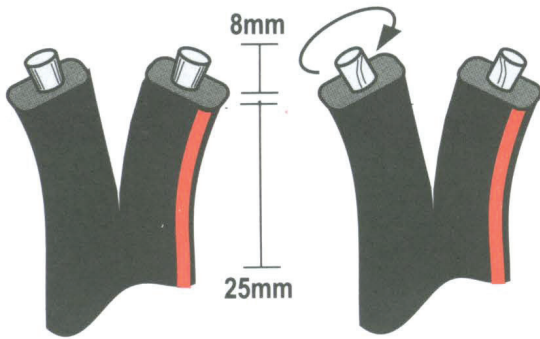
ITA Scollegare l'amplificatore quando si effettua qualunque collegamento.

NED Bij maken van eventuele aansluitingen versterker uitschakelen.

ESP Cuando efectúe una conexión, desconecte el amplificador.

POR Desligue o amplificador, sempre que pretender efectuar quaisquer ligações.

CHN 进行任何连接之前, 请关掉功放。



GBR Loudspeaker cable is polarity coded along one edge. Split the cable to a depth of about 25mm and strip 8mm of insulation from each wire. If the cable is stranded, twist the strands together.

FRA La polarité des câbles des haut-parleurs est indiquée sur le côté du câble. Fendez le câble sur une longueur d'environ 25 mm et dénudez chaque fil sur 8mm. Si le câble est à âme divisée, torsadez les extrémités ensemble.

GER Auf einer Kante des Lautsprecherkabels ist die Polarität angegeben. Das Kabel etwa 25 mm tief aufschlitzen und 8 mm Isolierung von jedem Draht entfernen. Bei Litzen-Kabel die Enden verdrillen.

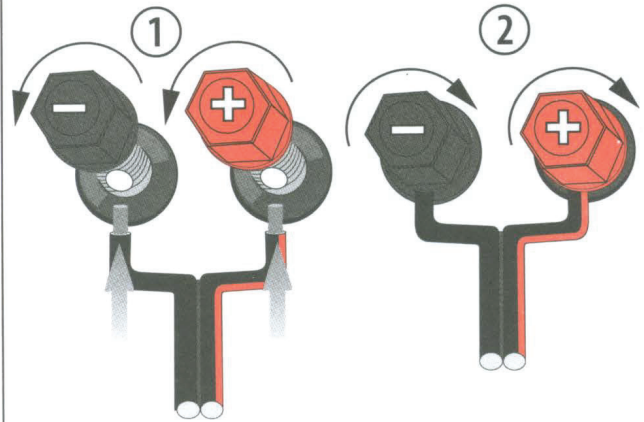
ITA Il cavo degli altoparlanti è normalmente provvisto di un codice colorato lungo un bordo. Separare il cavo per circa 25 mm e spellare un tratto di 8 mm di isolamento da ogni filo. Se il cavo è del tipo multifilo attorcigliare le estremità.

NED Langs één rand van de luidsprekerkabel is een polariteitscode aangebracht. Kabel tot een diepte van ongeveer 25mm splitsen en 8mm isolatie van elke draad verwijderen. Bij litzekabels de uiteinden in elkaar draaien.

ESP El cable del altavoz tiene marcada la polaridad en uno de los bordes. Corte el cable a una profundidad de 25mm y retire unos 8mm del recubrimiento aislante de cada alambre. Si el cable es trenzado, enrosque los extremos junto

POR O cabo das colunas possui um código de polaridade ao longo de uma extremidade. Divida o cabo até uma profundidade de cerca de 25 mm e descarte 8 mm de isolamento de cada fio. Se o cabo for entrançando, entrançe as extremidades conjuntamente.

CHN 沿扬声器连接线的边缘标有连接线的极性，将连接线分开大约25毫米，并剥去长约8毫米的绝缘层，露出导线。如果扬声器连接线是分开的，将它们的线端拧紧。



GBR Unscrew each terminal. Thread the bare end of the cable through the cross-hole ensuring there are no loose strands. Tighten securely.

FRA Dévissez chaque borne. Passez l'extrémité dénudée du câble à travers le trou transversal en veillant à ne pas laisser de brins lâches. Serrez à fond.

GER Jede Anschlußklemme aufschrauben. Das freigelegte Kabelende durch die Querbohrung führen und darauf achten, daß keine losen Litzen übrigbleiben. Dann die Schrauben fest anziehen.

ITA Svitare ogni morsetto. Inserire l'estremità nuda del cavo attraverso il foro passante accertandosi che non fuoriescano dei fili ed avvitare saldamente.

NED Elke klem losschroeven. Blanke einde door het gaatje in de klem steken en zorgen dat er geen losse draadjes zijn. Stevig aandraaien.

ESP Desenrosque cada terminal. Haga pasar el extremo vivo del cable por el orificio asegurándose de que no queda ningún hilo suelto. Apriete para asegurar.

POR Desaperte cada terminal. Enfie a extremidade descarnada através do orifício transversal, certificando-se de que não existem fios soltos. Aperte bem.

CHN 旋下每个端子。将连接线裸露末端穿过交叉孔，并确保线股没有松散。请拧紧每个端子。

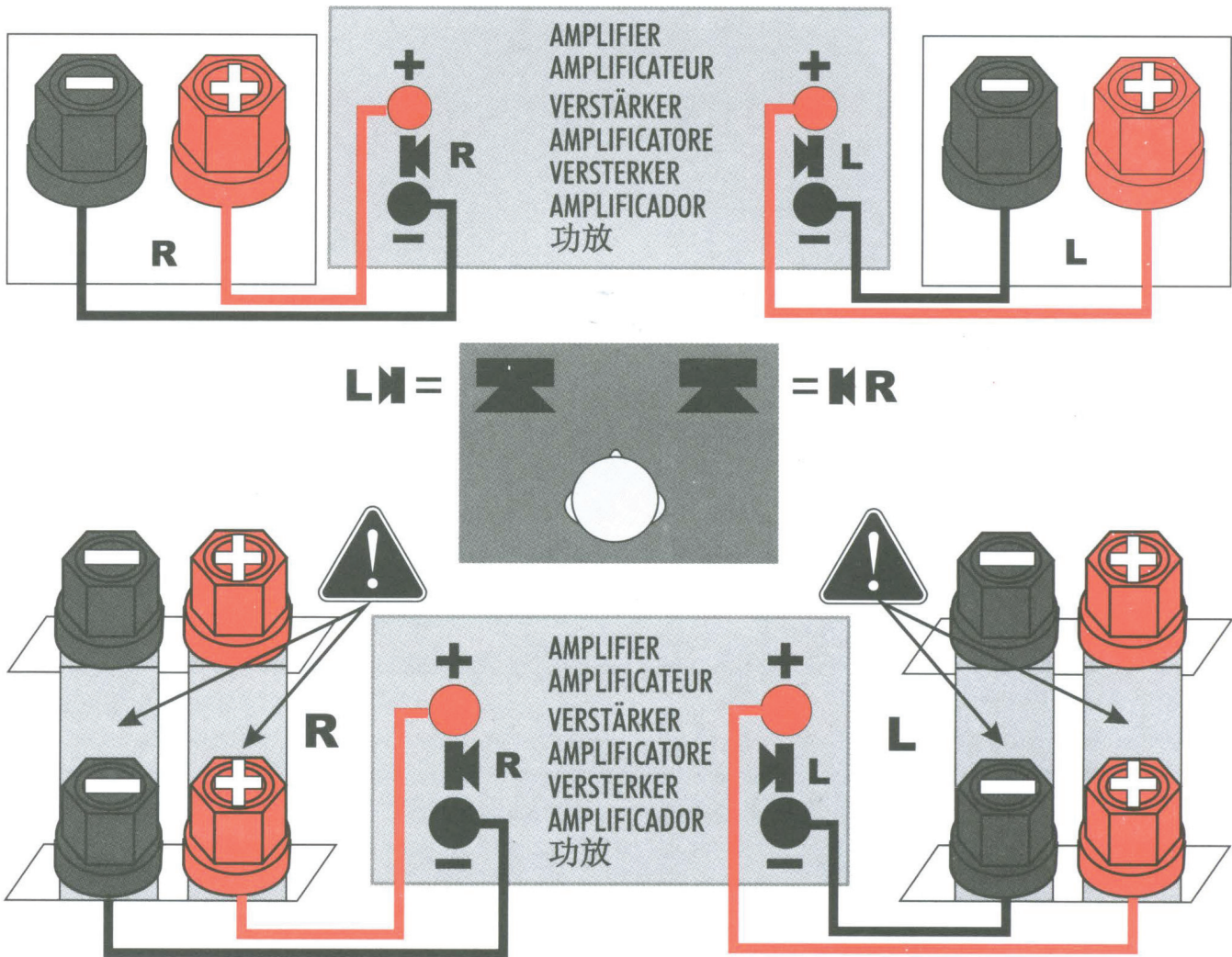
3

STANDARD LOUDSPEAKER CONNECTIONS

RACCORDEMENT NORMALE
COLLEGAMENTO CONVENZIONALE
CONEXIÓN NORMAL

STANDARD LAUTSPRECHERANSCHLÜSSE
TRADITIONELE AANSLUITINGEN
LIGAÇÕES DE COLUNAS CONVENCIONAIS

扬声器的常规连接



GBR Connect the left hand speaker to your amplifier's left hand channel, taking care to connect red to red and black to black. Repeat this for the right hand speaker.

FRA Raccordez l'enceinte de gauche au terminal de sortie de gauche de l'amplificateur, en prenant soin de connecter le rouge au rouge et le noir au noir. Faire de même pour l'enceinte de droite.

GER Den linken Lautsprecher an den linken Verstärkerkanal anschließen, dabei aufpassen, daß rot mit rot und schwarz mit schwarz verbunden werden. Gleiches für den rechten Lautsprecher wiederholen.

ITA Collegare la cassa sinistra al canale sinistro dell'amplificatore, avendo cura di collegare il rosso al rosso e il nero al nero. Ripetere questa procedura per la cassa acustica di destra.

NED Sluit de linkerluidspreker aan op het linkerkanaal van uw versterker waarbij u zorgt dat rood met rood en zwart met zwart verbonden wordt. Herhaal dit met de rechterluidspreker.

ESP Conecte el altavoz de la izquierda al canal izquierdo de su amplificador, asegurándose de conectar rojo con rojo y negro con negro. Repita la operación con el altavoz de la derecha.

POR Ligue a coluna esquerda ao canal esquerdo do seu amplificador, tendo o cuidado de ligar vermelho com vermelho e preto com preto. Repita para a coluna do lado direito.

CHN 将左扬声器红色正极 (+) 端子连接至相应的放大器的红色正极 (+) 端子上; 黑色负极 (-) 端子的接法类似。重复此方法, 连接右边的输出端子。

GBR Remove the metal links connecting the pairs of terminals. In the case of bi-wiring connect each of the red terminals on the speaker via separate cables to the red output terminal on the amplifier. Repeat the process for the black terminals. Take care that the left channel outputs are fed to the left hand speakers and similarly for the right hand side. Bi-amping is similar but requires the use of two stereo amplifiers.

FRA Enlevez d'abord les liens métalliques reliant les paires de bornes. En cas de bicâblage, reliez chacune des bornes rouges de l'enceinte via des câbles séparés à la borne de sortie rouge de l'amplificateur. Répétez ce processus pour les bornes noires. Veillez à ce que les sorties du canal gauche soient appliquées aux enceintes de gauche et procédez de manière similaire pour côté droit. La bi-amplification est similaire, mais elle nécessite l'utilisation de deux amplificateurs stéréo.

GER Entfernen Sie beide Metallglieder der Anschlussklemmen. Verbinden Sie die roten Kabel der Anschlussklemmen mit einem separaten Kabel zum roten Lautsprecher Ausgang des Verstärkers. Wiedernolen Sie dasselbe Prozedere für die schwarzen Anschlüsse. Beachten Sie, dass der linke Kanal des Verstärkers mit dem linken Lautsprecher verbunden ist. Dies gilt ebenso für den rechten Kanal. Bi-amping: Dieser Anschluss-lautsprecher ist ähnlich wie vorgängig beschrieben, bedingt jedoch den Betrieb von 2 Stereo-Verstärkern.

ITA Rimuovere i cavallotti metallici collegati ai morsetti. Nel caso di collegamento bi-wiring, collegate ogni morsetto rosso del diffusore con un cavo separato al morsetto d'uscita rosso dell'amplificatore. Ripetere l'operazione per i morsetti neri. Fate attenzione a collegare nel giusto modo il canale destro e il sinistro, senza ivertirli. Il Collegamento in bi-amplificazione è molto simile, ma vengono utilizzati due amplificatori al posto di uno solo.

NED Voor gebruik als Bi-amping of Bi-wiring systeem

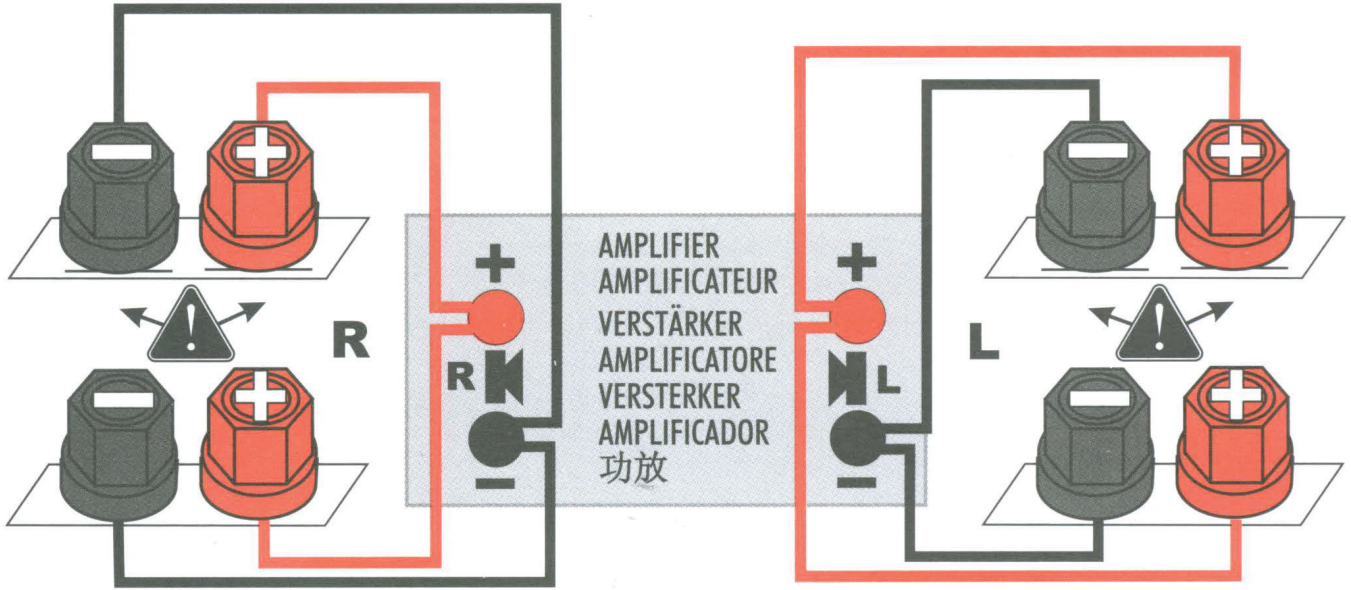
dienen de metalen strips verwijderd te worden. Bij gebruik als Bi-wiring systeem dienen de rode (-) speakeraansluitingen van het aansluitblok met een aparte kabel aan de rode (+) aansluitpunten van de versterker te worden aangesloten. Herhaal deze procedure ook voor de zwarte (-) aansluitpunten. Let op, dat de linker en rechter luidspreker ook werkelijk als linker en rechter worden aangesloten. Het Bi-amping principe is gelijk aan boventaande omschrijving, alleen wordt er dan gebruik gemaakt van twee versterkers.

ESP Retire primero las varillas metálicas que unen los conectores entre sí. Si va a conectar las cajas de forme bi-cableada, conecte cada uno de los terminales rojos con cables distintos a los conectores de salida rojos del amplificador. Repita esto para los conectores negros. Tenga cuidado en conectar el canal izquierdo del amplificador a la caja situada a la izquierda y el canal derecho a la caja de la derecha. Si desea conectar las cajas en modo de bi-amplificación el proceso de conexión es el mismo pero para ello necesita utilizar dos amplificadores estéreo.

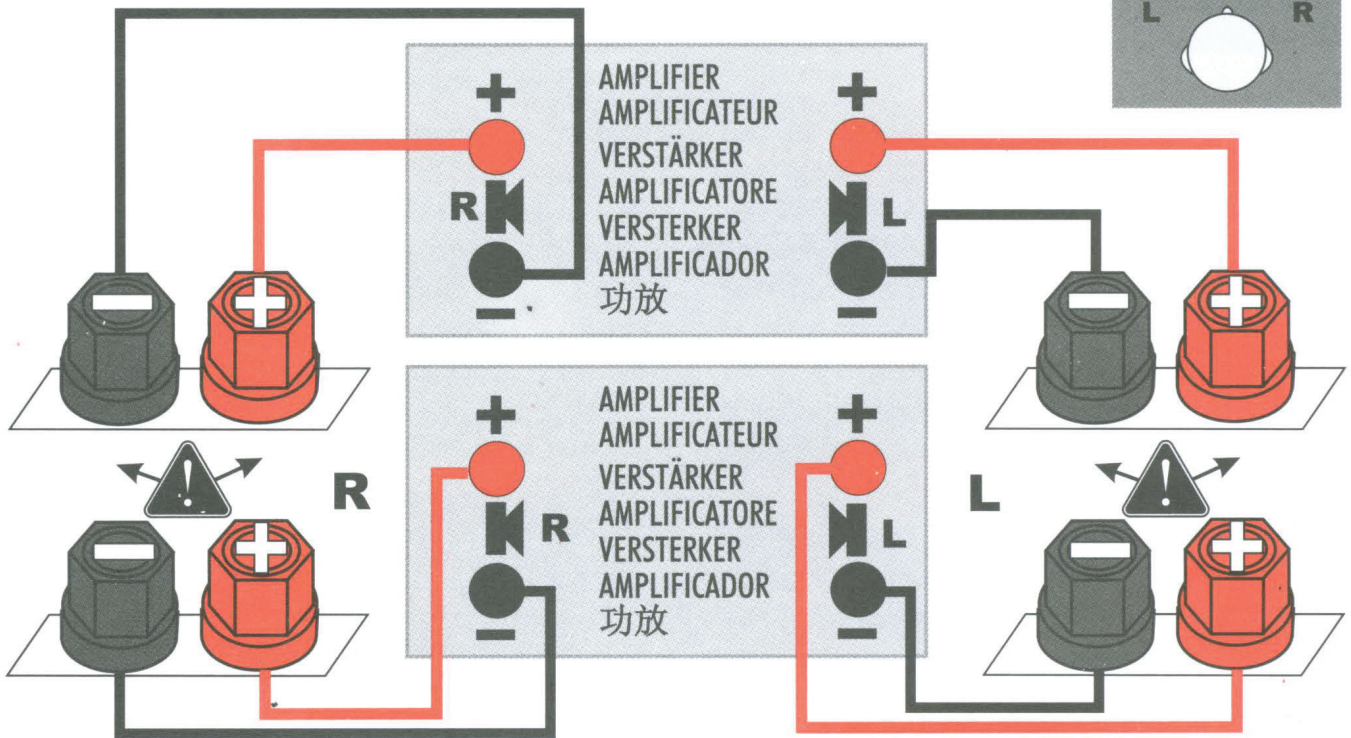
POR Reve primeiro retirar as placas de metal que ligam os pares de terminais. No caso de Bi-Cablagem, ligue cada um dos terminais encarnados dos altifalantes por meio de cabos Independentes ao terminal de saída encarnado do amplificador. Repita a operação para os terminais pretos. Certifique-se de que liga as saídas do canal esquerdo aos altifalantes da esquerda e igualmente para o lado direito. A Bi-Amplificação é semelhante à anterior, mas exige a utilização de dois amplificadores estéreo.

CHN 取下连接两对端子的金属片，在双接连接的情况下，将音箱上红色端子通过单独的线缆连接到功放的红色输出端子上，对黑色端子重复同样的工作。要注意左声道输出是供给左手边的音箱的，右声道输出是供给右手边音箱的。在使用双功放时，接线同此类似。

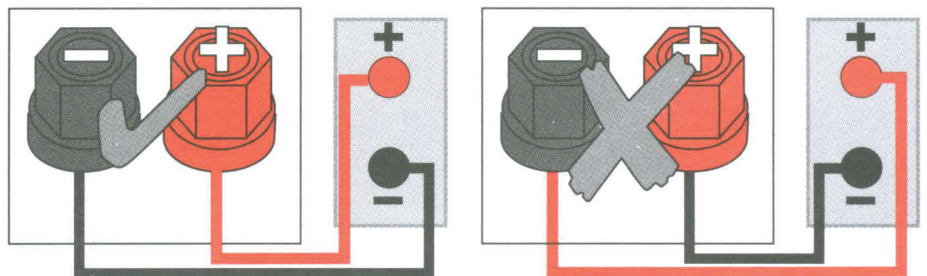
BI-WIRING BI-CÂBLAGE BI-WIRING BI-WIRING
 BI-WIRING BICONEXIÓN BI-AMPLIFICAÇÃO



BI-AMPING BI-AMPLIFICATION BI-AMPING BI-AMPLIFICAZIONE BI-CABLAGEM
 BI-AMPLIFICACIÓN



5 PHASE
 FASE 相位



6

ROOM POSITIONING

放置您的扬声器

DISPOSITION DES ENCEINTES

POSITIONIERUNG IM RAUM

POSIZIONAMENTO NEL LOCALE

PLAATSING IN DE KAMER

COLOCACION EN LA HABITACION

POSICIONAMENTO NA SALA

GBR Your loudspeakers offer great flexibility of positioning. Depending upon the model they can be positioned upon shelves, on stands or directly on the floor. All the models can be positioned as close as 0.7m - 1m from a side facing wall. There must be a distance of at least 0.2m - 1m between the backs of the cabinets and the walls. If the loudspeakers are positioned close to the wall they should ideally be angled inwards slightly and be 3 metres apart.

FRA Les enceintes vous offrent une grande souplesse d'emplacement dans votre chambre. Selon le modèle, elles peuvent se poser sur une étagère, sur des pieds ou directement sur le sol. Il est possible de placer tous les modèles près d'un mur, à une distance minimum de 0.7 à 1 mètre. Il faut laisser une espace d'au moins 0.2 à 1 mètre entre l'arrière du coffret et le mur. Si les enceintes sont placées près d'un mur, il est préférable de les orienter légèrement l'une vers l'autre et de les séparer d'environ 3 mètres.

GER Ihre Lautsprecher sind äußerst flexibel, was ihre Positionierung im Raum betrifft. In Abhängigkeit vom jeweiligen Modell können sie auf Regalen, Ständern oder direkt auf dem Fußboden aufgestellt werden. Alle Modelle sind schon in einer Entfernung von 0.7 bis 1 Meter von der Wand aufstellbar. Der Abstand zwischen Schrankrückseite und Wand muß mindestens 0.2 bis 1 Meter betragen. Wenn die Lautsprecher dicht an der Wand aufgestellt werden, sollten sie in einem leichten Innenwinkel stehen, und zwischen ihnen sollte ein Abstand von ca. 3 Metern liegen.

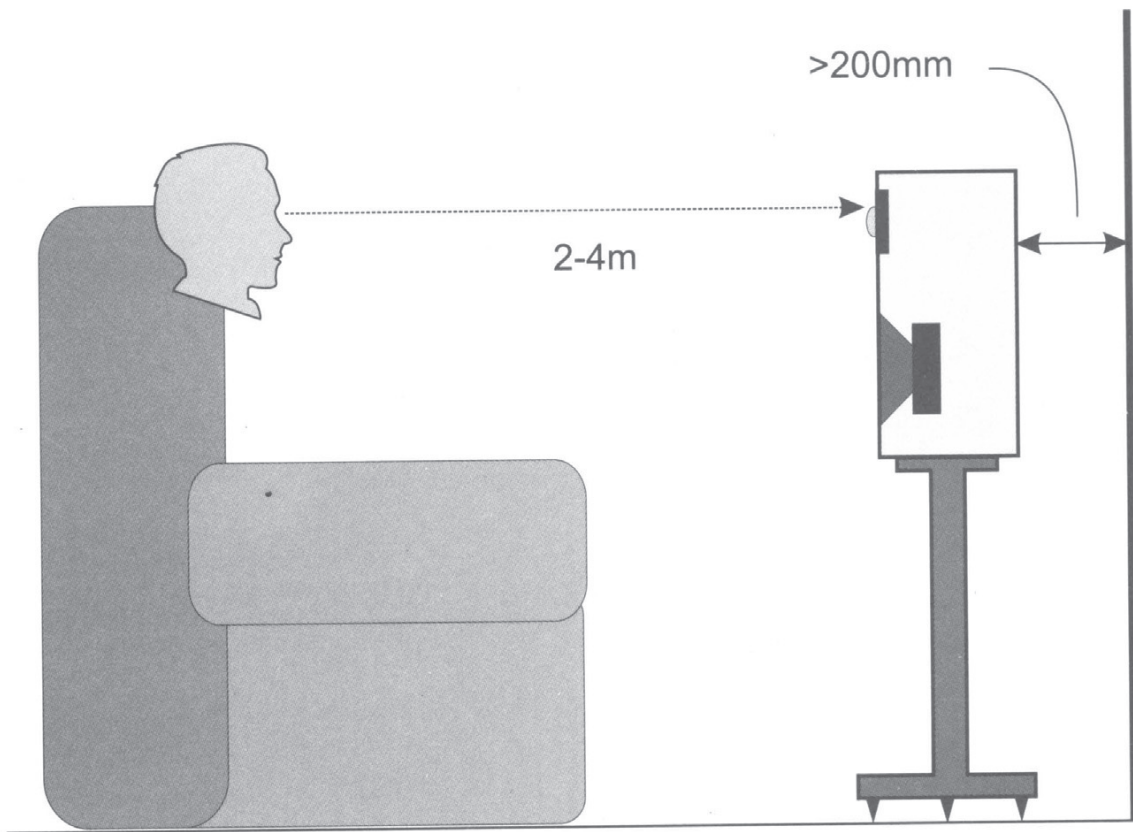
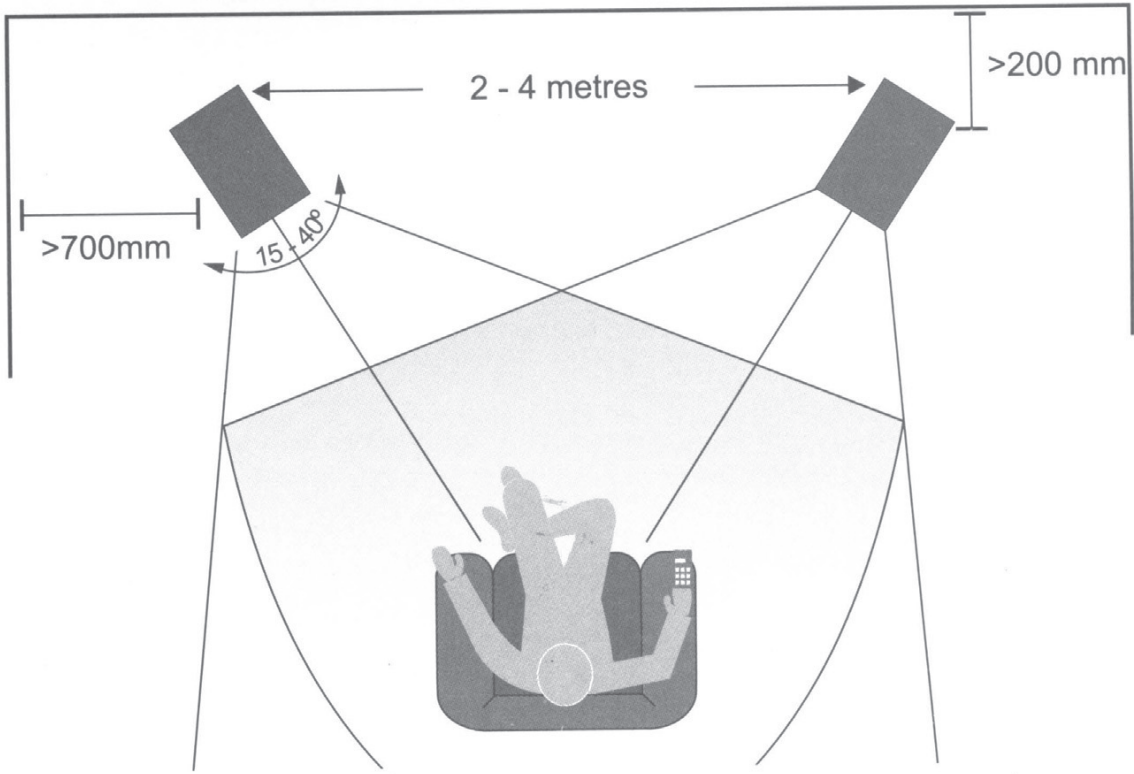
ITA Le casse acustiche sono estremamente versatili per quanto riguarda il loro posizionamento in un locale. A seconda del modello, possono essere posizionate su scaffali, supporti o direttamente sul pavimento. Tutti i modelli possono essere posizionati ad una distanza di 0.7 - 1 metro dalle pareti laterali della stanza. Deve esserci almeno una distanza di 0.2 - 1 metro tra la parte posteriore dei diffusori e il muro. Se i diffusori vengono posizionati vicino al muro devono essere leggermente angolati verso la posizione d'ascolto ed essere separati tra loro da una distanza di 3 metri.

NED Uw luidsprekers zijn eenvoudig bij u thuis te plaatsen. De luidsprekers hebben aan de achterkant baspoorten die vrij moeten blijven. En voor het beste resultaat moet er een ruimte van minstens 0,7m - 1m zijn tussen de achterkant van de kasten en de muren. Als de luidsprekers dichtbij de muur staan, moeten ze eigenlijk voor het beste resultaat iets naar binnen gedraaid worden en van elkaar gescheiden zijn met een afstand van 3 meter.

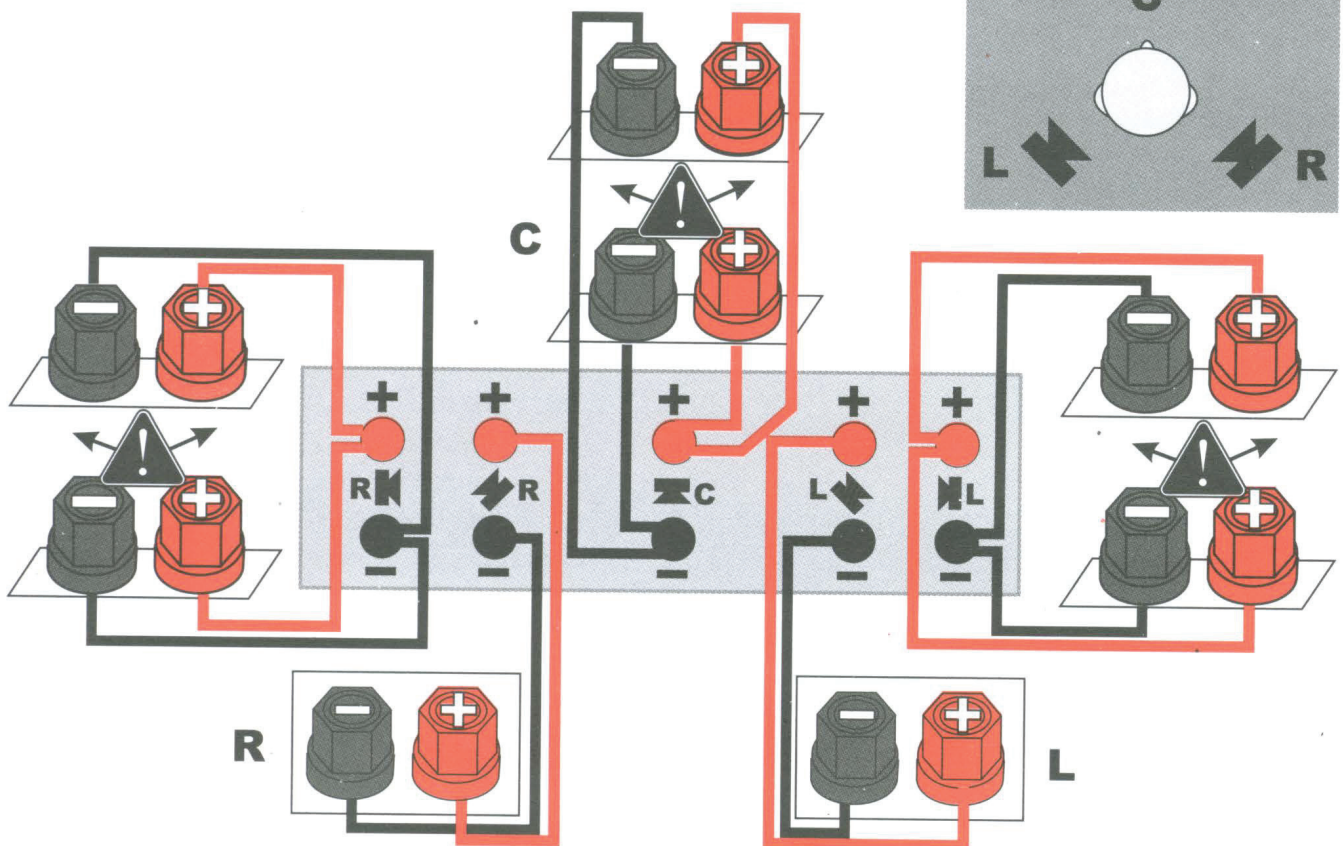
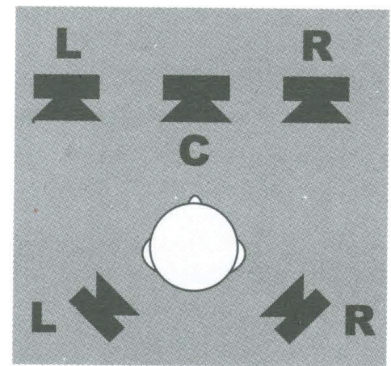
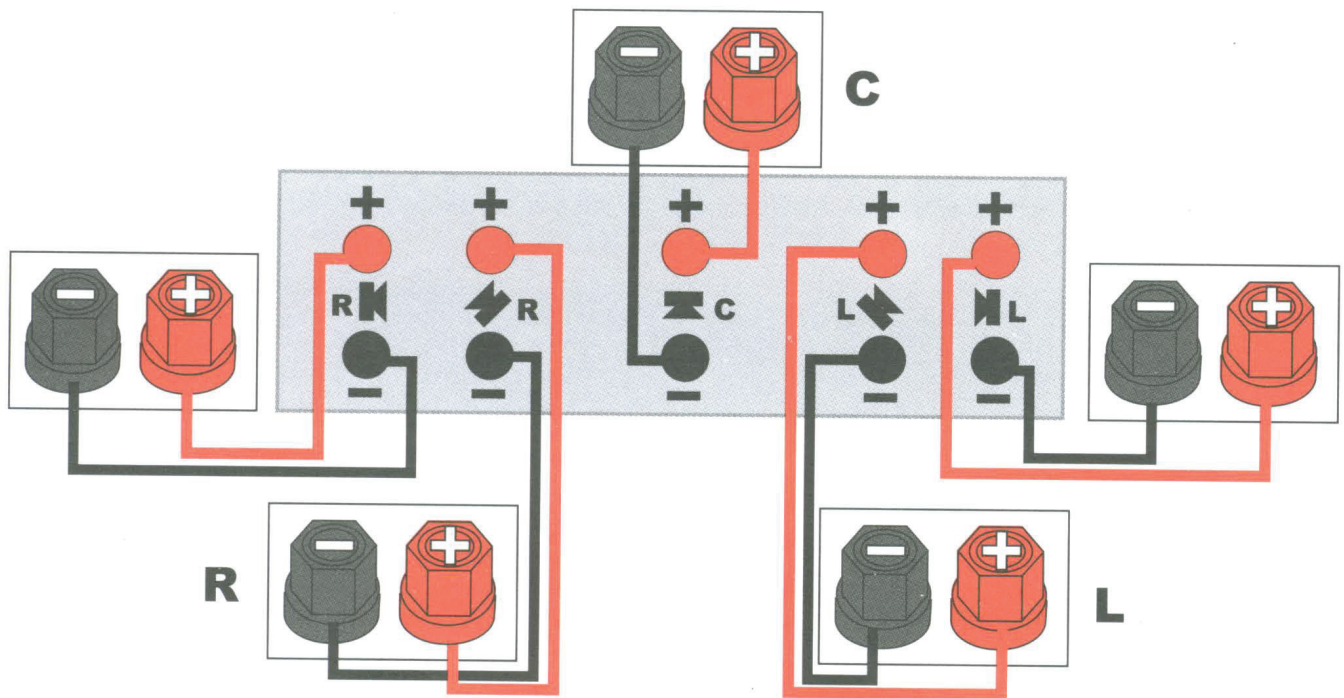
ESP Sus altavoces ofrecen gran flexibilidad de instalación dentro de la casa. Según el modelo, se puede colocar en estanterías, en pies o directamente en el suelo. Todos los modelos se pueden colocar hasta una distancia mínima de 0.7 a 1 metro de la pared. Debe haber un espacio mínimo de al menos 0.2 a 1 metro entre la parte posterior de la unidad y la pared. Idealmente, si los altavoces se instalan cerca de la pared, deben colocarse ligeramente hacia adentro en ángulo y deben estar separados por una distancia de 3 metros.

POR As suas colunas oferecem grande flexibilidade de posicionamento em sua casa. Dependendo do modelo, podem ser colocadas em prateleiras, em suportes ou diretamente no soaího. Todos os modelos podem ser colocados a uma distância entre 0.7m a 1m, da parede lateral. A distância entre a parte posterior da coluna e a parede deve ser de pelo menos 0.2m a 1m. Se as colunas forem colocadas perto da parede devem de preferência ficar ligeiramente em angulo para o centro e separadas por uma distância de 3m.

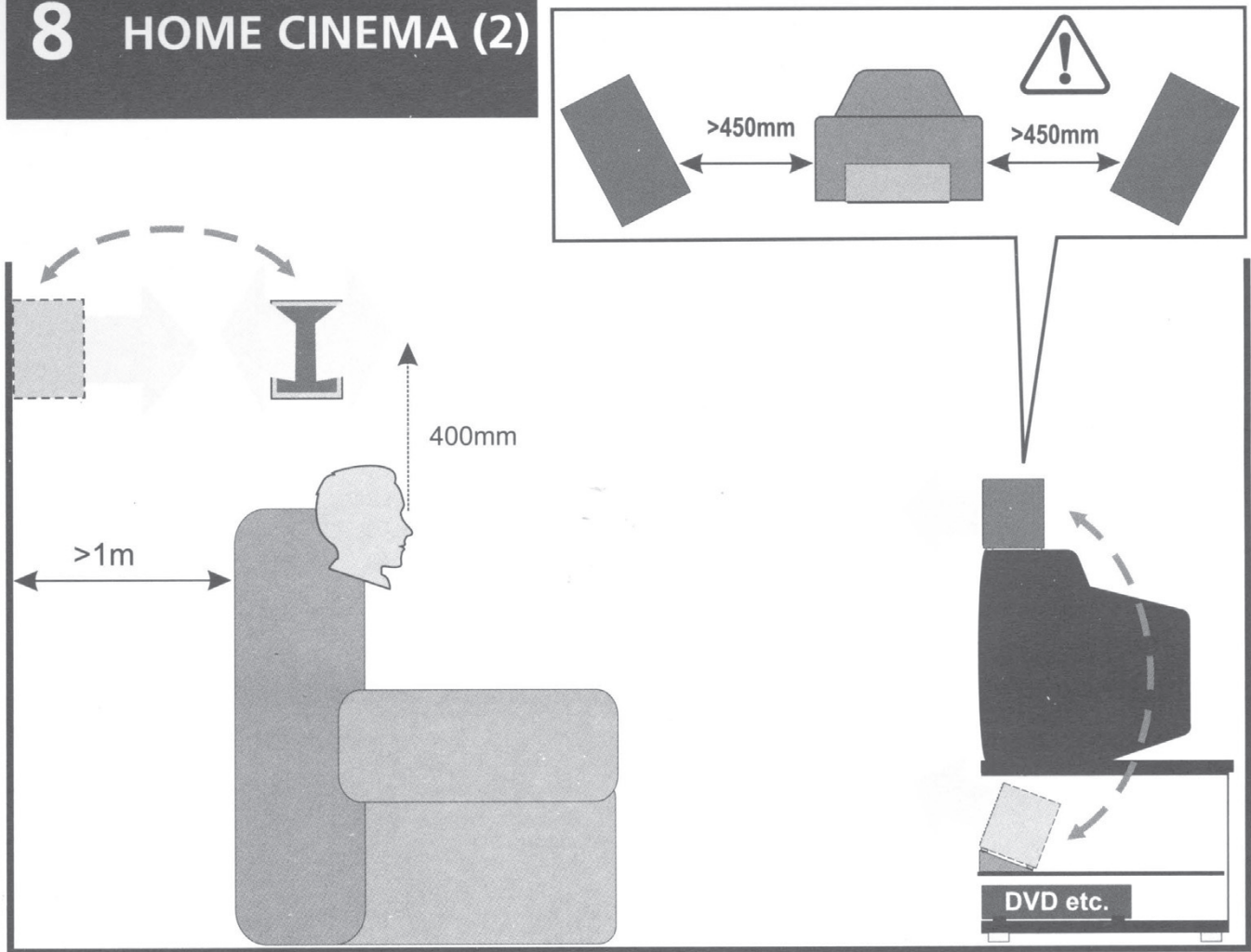
CHN 音箱的放置位置较灵活. 取决于音箱的类型, 它们即可以置于搁板上或架子上, 或直接在地板上. 所有的音箱都可以置于离侧墙壁面0.7m到1m的地方, 则箱体后面和墙壁之间的距离应至少为0.2m到1m; 如果音箱置于离墙壁较近的地方, 音箱最好朝内呈斜度放置, 音响之间的距离为3m.



7 HOME CINEMA (1)



8 HOME CINEMA (2)



GBR The centre channel loudspeaker is usually placed on top of the TV monitor or on a shelf or in a cabinet below the screen.

FRA Le haut-parleur central se place normalement au-dessus de l'écran de TV ou bien sur une étagère en dessous du poste de télévision

GER Normalerweise wird der center-lautsprecher auf dem fernseher oder auf einem regal unter dem fernseher aufgestellt.

ITA L'altoparlante centrale normalmente viene collocato sopra allo schermo televisivo oppure su una mensola sotto l'apparecchio TV.

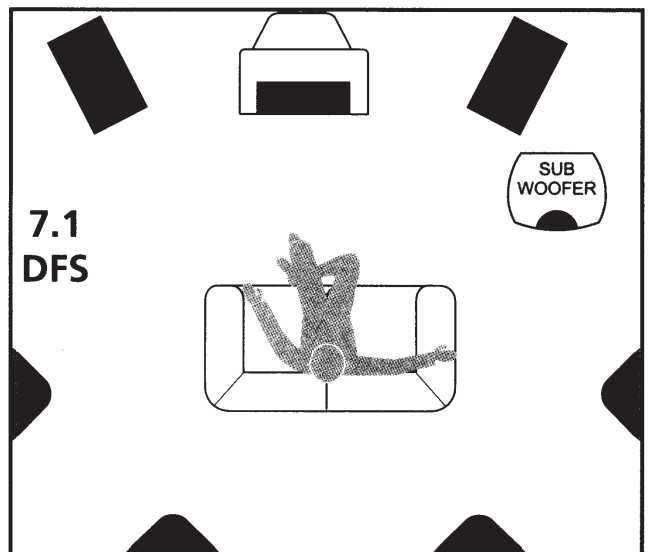
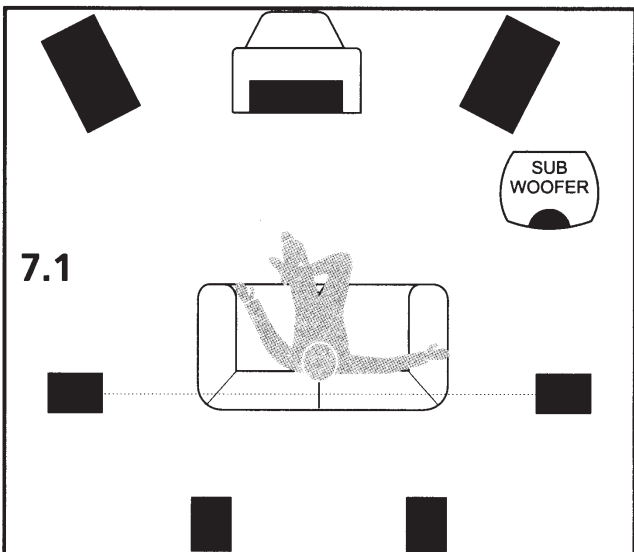
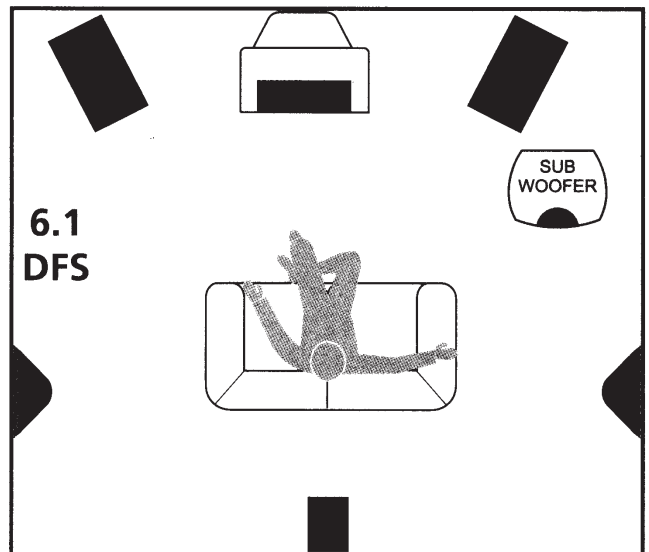
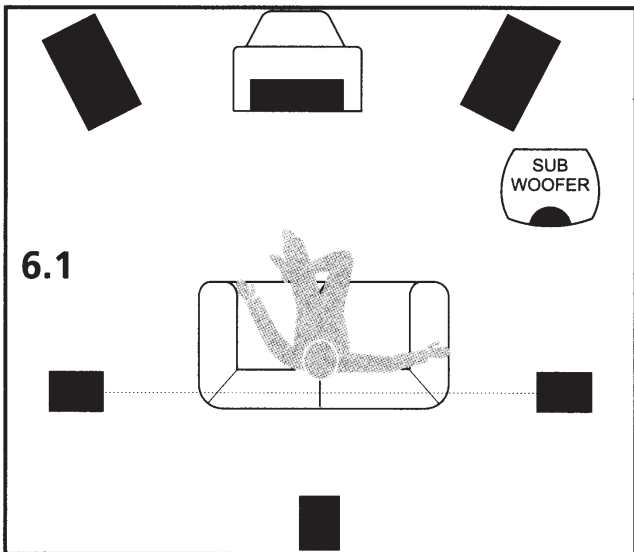
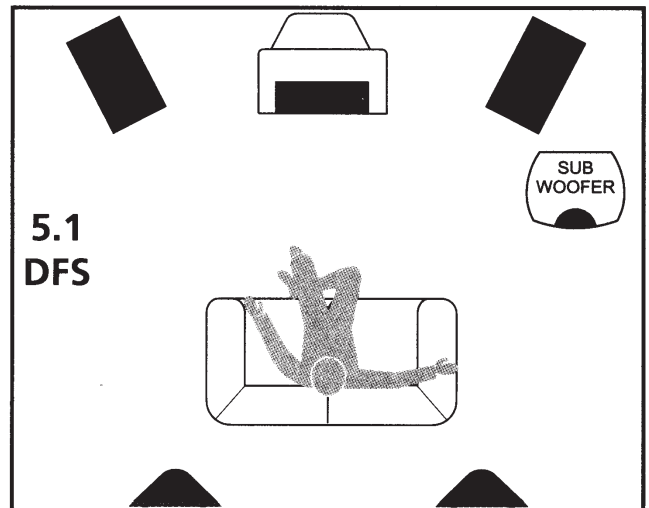
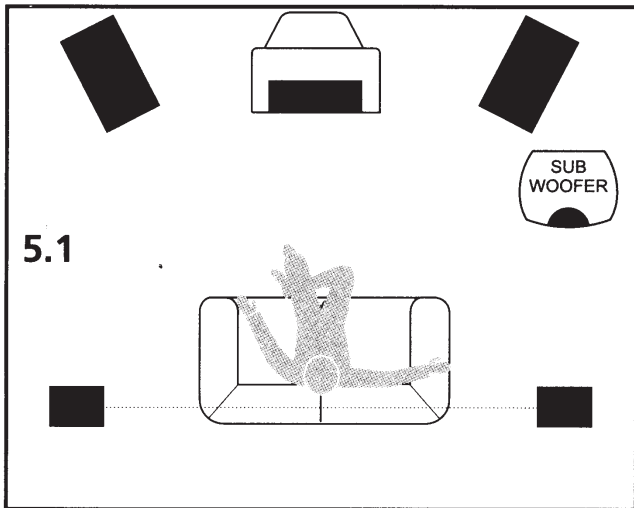
NED Als u de luidspreker boven op het tv -toestel zet, controleren of de kast van het toestel het gewicht kan dragen en dat het geheel stabiel is.

ESP El altavoz central se colocará normalmente encima del monitor del TV, o en un estante debajo del TV.

POR A sue colunas central estaria normalmente colocado em cima do monitor de TV ou numa prateleira, debaixo do televisor.

CHN 通常情况下，您的中置音箱应放置在电视屏幕的上面，或电视屏幕下面的架子上或柜橱里。

9 HOME CINEMA (3)



10

SOUND LEVEL

NIVEAU SONORE

SCHALLPEGEL

LIVELLO ACUSTICO

GELUIDSNIVEAU

NIVEL DE SONIDO

NÍVEL SONORO

声音电平

GBR It is important that the centre, front and rear speakers are set to the same sound level as perceived from the listening position. Follow your AV processor handbook instructions carefully, especially the section concerned with setting up relative loudspeaker levels.

FRA Il est important que les haut-parleurs central, avant et arrière soient réglés sur le même niveau sonore, tel que perçu depuis la position d'écoute. Pour cela, suivez attentivement les instructions du manuel du processeur audiovisuel, particulièrement la section concernant le réglage des niveaux relatifs des haut-parleurs.

GER Es ist wichtig, Center-Lautsprecher und auch die vorderen und hinteren Lautsprecher in Bezug auf die Hörposition auf die richtige Lautstärke einzustellen. Befolgen Sie die Anweisungen in Ihrem AV-Prozessorhandbuch genau; besonders den Abschnitt, in dem das Lautstärkeverhältnis der Lautsprecher untereinander eingestellt wird.

ITA È importante che gli altoparlanti centrale, anteriori e posteriori siano impostati sullo stesso livello acustico rilevato dalla posizione di ascolto. Seguire attentamente le istruzioni del vostro apparecchio AV, specialmente riguardo alla sezione sull'impostazione dei livelli degli altoparlanti.

NED Het is van belang dat de center, voor en achter luidsprekers op hetzelfde geluidsniveau, zoals waarneembaar op de luisterpositie, ingesteld worden. De aanwijzingen in de handleiding voor de AV processor zorgvuldig opvolgen, speciaal het hoofdstuk met betrekking tot het instellen van luidsprekerniveaus

ESP Es importante que los altavoces central, frontal y trasero estén ajustados al mismo nivel de sonido según se perciba en las posiciones de escucha. Siga las instrucciones del manual del procesador AV atentamente, especialmente la sección relacionada con los ajustes de los niveles relativos de los altavoces.

POR É importante que a sue colunas central, frontal e traseiro estejam regulados para o mesmo nível sonoro, tal como é ouvido a partir da posição de audição. Siga cuidadosamente as instruções que constam no manual do seu processador AV, especialmente a secção relativa à regulação de níveis de volume das suas colunas.

CHN 相对于聆听的位置，将中置，前置，后置扬声器调节至同一声音电平，这一点十分重要，请仔细参照您的AV处理器使用手册，特别是有关设置相关扬声器电平的章节。

GBR The cabinets can be occasionally wiped with a damp (not wet) cloth. Spray polishes can be used but they must not be sprayed onto the grilles or drive units. Spray the polish onto a cleaning cloth not the loudspeaker.

FRA On peut essuyer de temps en temps le coffret avec un chiffon légèrement humide. Il est permis d'utiliser un produit d'entretien à vaporiser, sans vaporiser directement sur les caches ni les haut-parleurs, mais plutôt sur le chiffon.

GER Die Gehäuse können gelegentlich mit einem feuchten (nicht nassen) Tuch abgewischt werden. Die Anwendung von Sprühpolitur ist möglich, sie darf jedoch nicht an die Gitter oder Steuerelemente gelangen. Am besten sprüht man die Politur auf das Reinigungstuch und nicht direkt auf den Lautsprecher.

ITA L'esterno delle casse può essere pulito con un panno asciutto. E' consentito l'uso di lucidanti spray, ma occorre avere cura di non spruzzarli sulle griglie o sugli altoparlanti. E' meglio spruzzare il liquido lucidante direttamente su un panno, non sulle casse acustiche.

NED De kasten kunnen met een vochtige doek (geen natte) afgenomen worden. Glansspray mag ook gebruikt worden, maar er moet niet op de fronten of op de drive units gespoten worden. Het glansmiddel kan het beste op een schoonmaakdoek gespoten worden en niet op de luidspreker.

ESP Las unidades se pueden limpiar de cuando en cuando con un paño ligeramente húmedo (no mojado). Se pueden utilizar vaporizadores de pulimentar pero no debe evitarse que el líquido vaporizado entre en las rejillas o unidades de accionamiento. Realmente, lo mejor es aplicar el vaporizador a un trapo de limpieza y no al altavoz.

POR As caixas podem ser de vez em quando limpas com um pano humedecido (não molhado). Podem ser utilizados sprays de polimento mas estes não devem ser pulverizados sobre as grelhas ou as unidades accionadoras. Na verdade, o melhor processo será pulverizar o produto num pano de limpeza e não directamente sobre a coluna.

CHN 箱体偶尔可以用微湿但不能太湿的抹布擦拭，也可以喷亮油到箱体上，但不能喷到网框和喇叭单体上。喷亮油时不能直接喷到音箱上，而是将亮油喷到干净的抹布上

12

WARRANTY

GARANTIE

GARANTIEVOORWAARDEN

GARANTIEBESTIMMUNGEN

GARANTÍA

GARANZIA

GARANTIA

质量保修

WARRANTY IN THE UK

In the unlikely even that your unit develops a fault you should return it to your Wharfedale dealer using the original packing to ensure safe shipping. The terms of your warranty may vary in different countries but in all cases the guarantee excludes:

All damage caused through accident, misuse, wear and tear, neglect, incorrect installation, adjustment or repair by unauthorised personnel. Liability for damage or loss occurring in transit to or from the purchaser.

Wharfedale will not be liable for any consequential damage, loss or injury, arising from or in conjunction with this equipment.

GBR The warranty on this product if it is sold outside the United Kingdom shall comply with applicable law and shall be the sole responsibility of the distributor that supplied this product.

FRA Si ce produit est vendu à l'extérieur la Royaume-Uni, la garantie doit être conforme aux lois en vigueur et n'engage que la responsabilité du distributeur qui a fourni ce produit.

GER Falls dieses Produkt an Kunden außerhalb der UK verkauft wurde, entspricht die Garantie für dieses Produkt dem jeweils geltenden Recht und liegt ausschließlich in der Ver-

antwortung des Distributors, der dieses Produkt geliefert hat.

ITA Se questo prodotto viene venduto fuori degli UK, esso è coperto da una garanzia conforme alle leggi locali e la validità di tale garanzia è di esclusiva responsabilità del distributore del prodotto stesso.

NED De garantie op dit product zal als het buiten het Verenigd Koninkrijk wordt verkocht aan geldende wet voldoen en de distributeur die het product leverde zal de enig verantwoordelijke zijn.

ESP Si este producto se vende a un consumidor fuera de los UK, la garantía deberá cumplir con las leyes correspondientes y será responsabilidad exclusiva del distribuidor que lo suministró.

POR A garantia deste produto, quando vendido para um cliente fora dos UK, deve estar de acordo com a legislação em vigor e é de inteira responsabilidade do distribuidor que vendeu o produto.

CHN 如果此产品在英国以外的其它国家和地区销售，此质量保修将符合适用的法律，而且销售此产品的经销商将承担此质量保修。

Service Addresses, UK & USA

IAG Service Centre
IAG House, 13/14 Glebe Road,
Huntingdon, Cambridgeshire,
PE29 7DL, UK
Tel: + 44 (0) 1480 452561
Fax: + 44 (0) 1480 413403

IAG America, Inc.
15 Walpole Park South
Walpole
MA 02081
USA
Tel: +1 508 850 3950
Fax +1 508 850 3905

Wharfedale

Wharfedale International Ltd., IAG House, 13/14 Glebe Road, Huntingdon, Cambridgeshire, PE29 7DL, UK

Tel: + 44 (0) 1480 452561 www.wharfedale.co.uk

Wharfedale is a member of the International Audio Group.