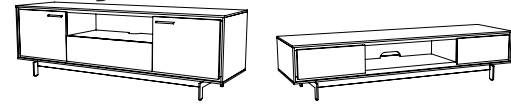




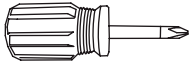
signal
8323 AND 8329
 cabinet

assembly instructions

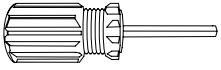


bdiusa.com customerservice@bdiusa.com

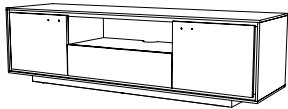
Component List



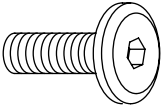
A - Phillips Screwdriver
x 1



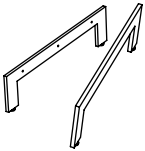
B - Hex Driver
x 1



C - Assembled Cabinet
x 1



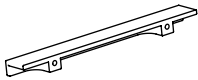
D - 1/4-20 x 1"
Machine Screw
x 6



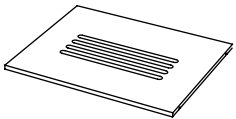
E - Leg
x 2



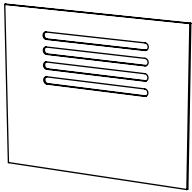
F - M4 x 25mm Screw
x 4



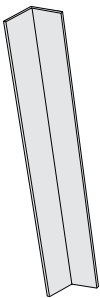
G - Pull
x 2



H - Adjustable Shelf
x 2



I - Back Panel x 2



J - Cardboard Corner
Protector
x 2

Signal is engineered for easy assembly. Carefully follow this procedure to prevent any damage.

Don't discard packaging until reading these instructions.

NOTE: This instruction sheet is intended for the entire Signal collection; model 8329 is shown for illustration.

Placement and Maintenance

Signal is designed for indoor use on level floors. Clean steel parts and wood veneer with a moist cloth. *Many wood surfaces are subject to fading under direct sunlight. BDI's unique Graphite finish has properties that make it more sensitive than others. Please avoid placing BDI's Graphite finish in direct sunlight.*

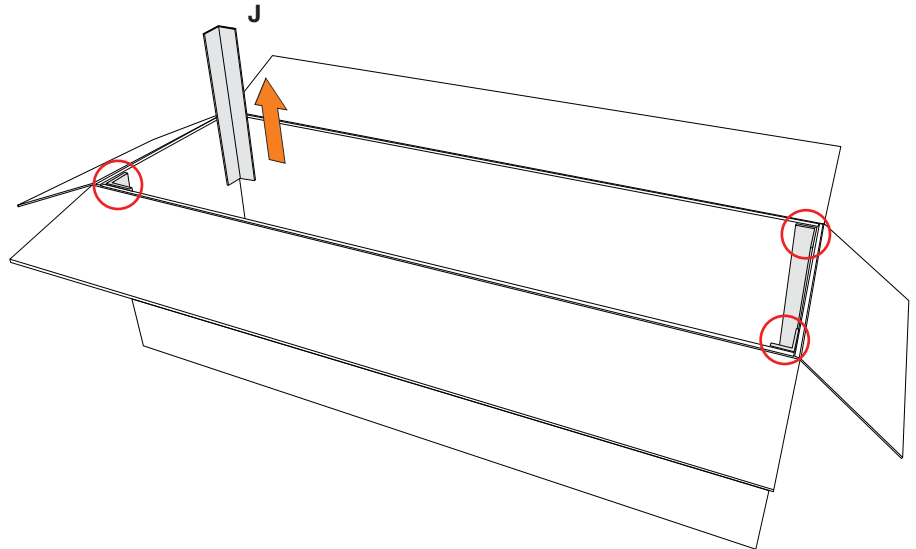
Step 1

Unpack and Identify

Unpack and identify the components at left. Note that some components are shipped inside the cabinet. The assembly workspace should be a non-marring surface such as carpet. For missing hardware pieces, please contact BDI Customer Service at customerservice@bdiusa.com. For all other concerns, please contact your BDI Retailer.

Step 2

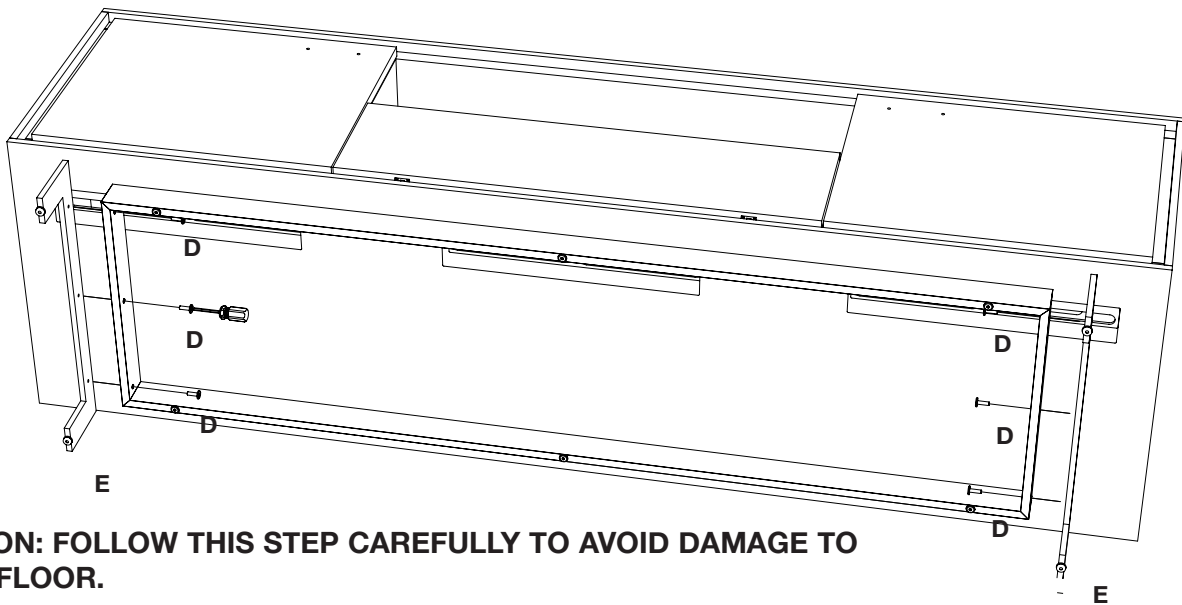
Remove **Cardboard Corner Protectors (J)** from packaging.



Step 3

Install Legs

With **Assembled Cabinet (C)** resting safely on its back side, install **Legs (E)** to cabinet bottom using **1/4-20 x 1" Machine Screw (D)** and tighten with **Hex Driver (B)**. Do not overtighten.

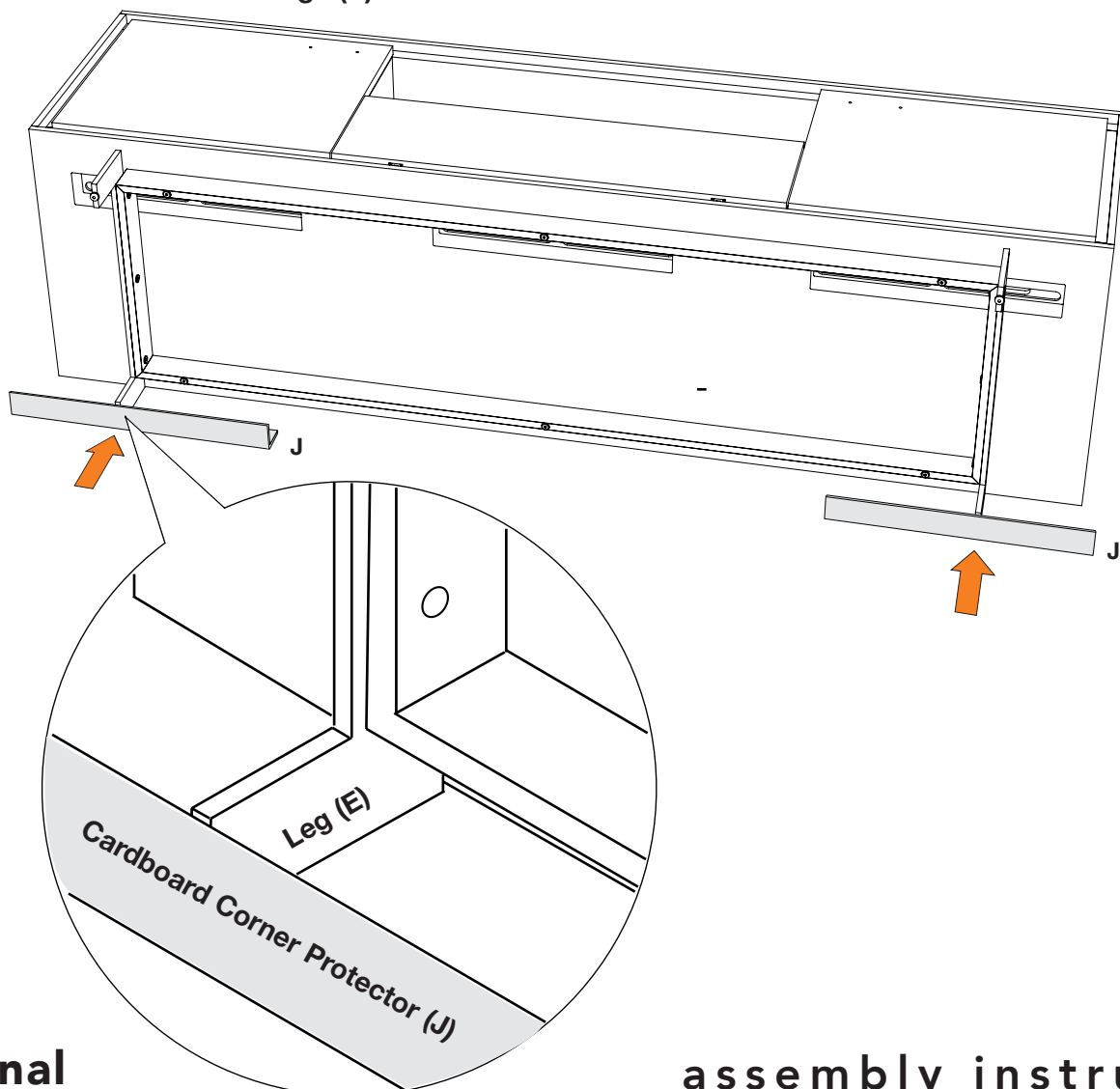


CAUTION: FOLLOW THIS STEP CAREFULLY TO AVOID DAMAGE TO YOUR FLOOR.

Step 4

Position cabinet right side up.

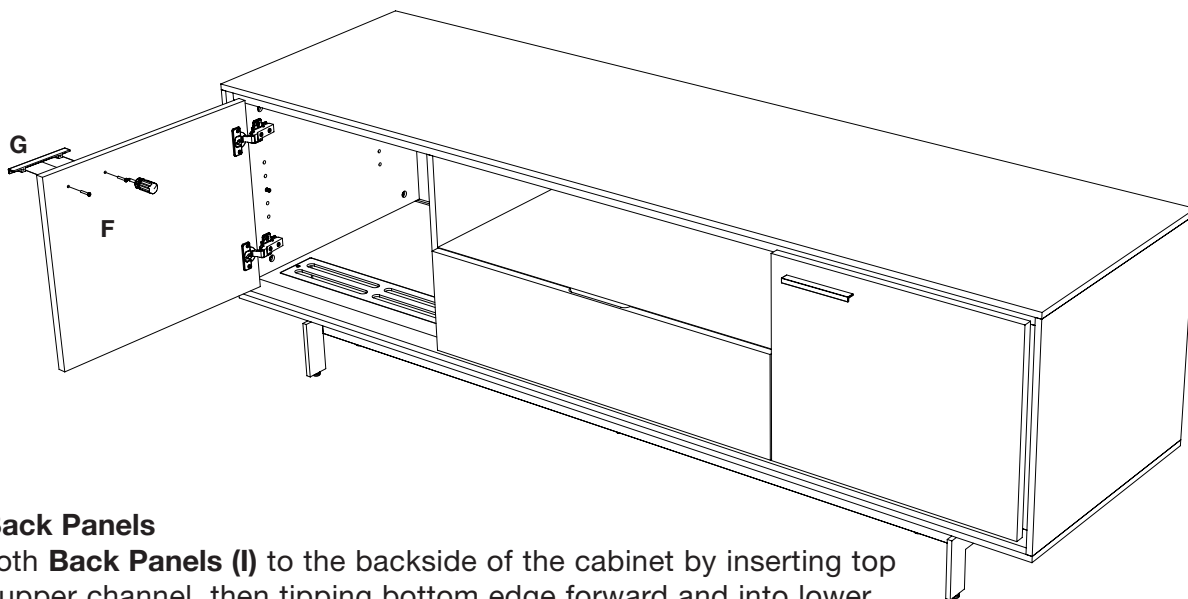
Place the **Cardboard Corner Protectors (J)** from packaging underneath the installed cabinet **Legs (E)**. With the help of another person, carefully tip cabinet upright onto cabinet **Legs (E)**. Slide **Cardboard Corner Protectors (J)** from underneath cabinet **Legs (E)**.



Step 5

Install Pulls

Install **Pulls (G)** on the doors using the **M4 x 25mm Screws (F)** and the **Phillips Screwdriver (A)** supplied.

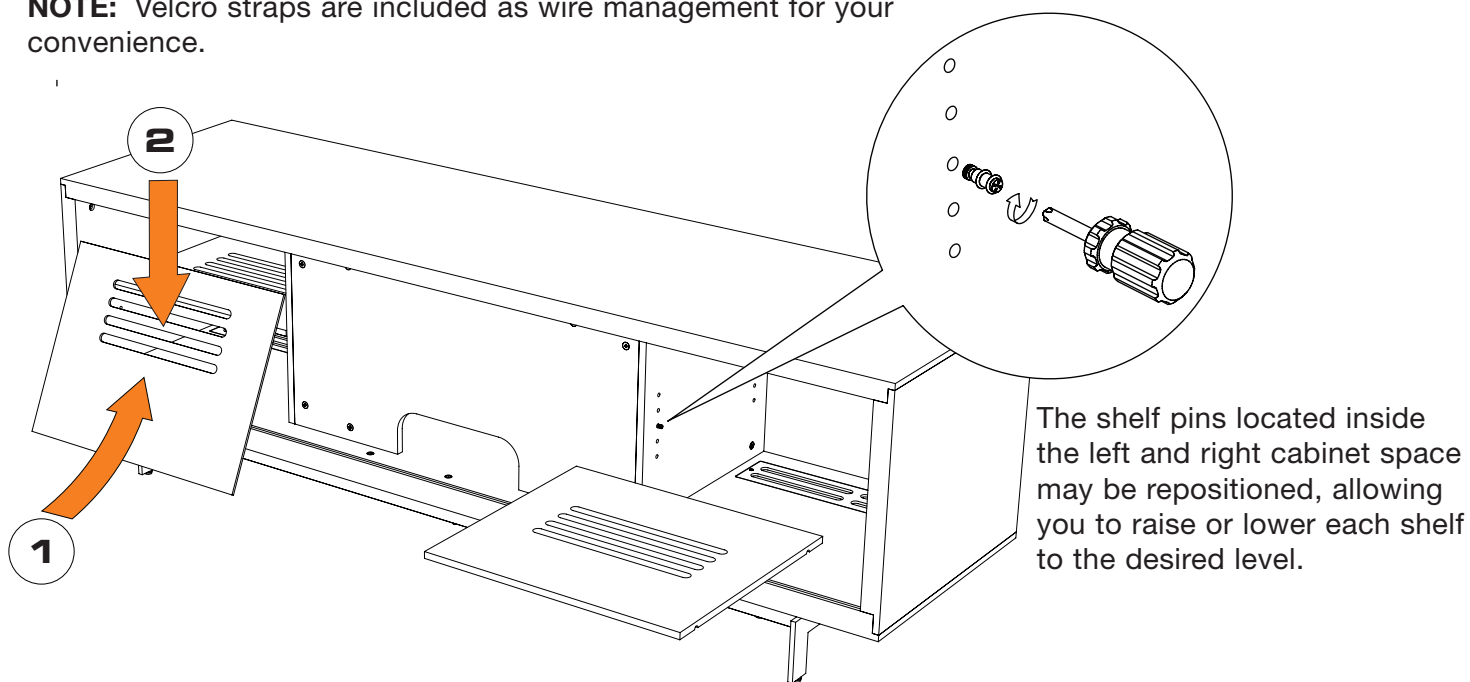


Step 6

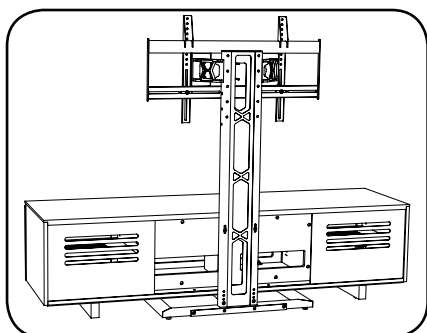
Install Back Panels

Install both **Back Panels (I)** to the backside of the cabinet by inserting top edge in upper channel, then tipping bottom edge forward and into lower channel.

NOTE: Velcro straps are included as wire management for your convenience.



Optional Flat Panel TV Mount



These BDI cabinets are compatible with **BDI's Arena Flat-Panel TV Mount #9972** (sold separately), with the following features:

- accommodates most TVs up to 60", 175 lbs
- swivel allows rotating for optimal viewing
- allows adjustable TV mounting height
- accepts and routes cables to and from the TV
-

For more information, visit www.bdiusa.com

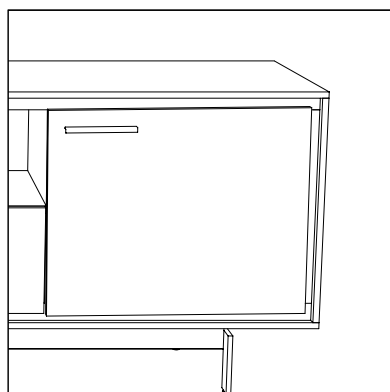
Signal 8329 is also compatible with **BDI's Arena Flat-Panel TV Mount #9970** (sold separately).

Fine tuning your new BDI Signal Home Theater Furniture

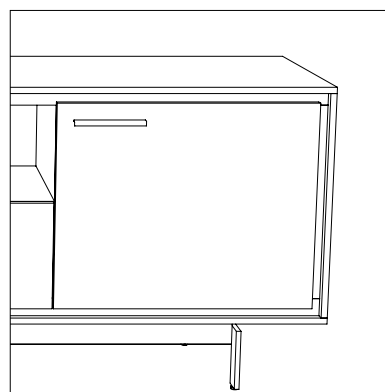
These steps are to be followed after you have unpackaged and completed the simple assembly instructions for your Signal AV stand. Due to jostling in freight or perhaps an uneven floor, the doors on your Signal stand may not appear to be in perfect alignment. Making a few minor adjustments can rectify this situation. Be aware that depending on your situation, patience and a bit of trial and error are required. The high-quality European hinge hardware is infinitely adjustable, but changing one element can cause the need for further adjustments. Through a little adjustment, you can modify the orientation of the cabinet doors to make sure that they are sitting perfectly on your Signal unit.

STEP 1 - Level your Signal unit

Levelers are integrated into each leg assembly and are accessed at the bottom of each cabinet leg and are hand-adjustable. If your floor is uneven, you may extend one or more levelers to attain a level, stable cabinet placement. Turning the leveler clockwise will extend the leveler; turning it counter-clockwise will retract it.



INCORRECT! Door is out of alignment with the rest of the unit.



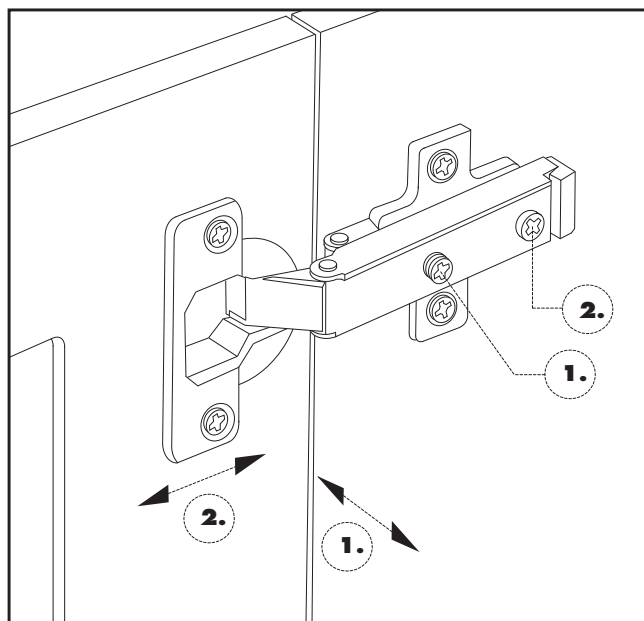
CORRECT! Door is sitting squarely and evenly spaced on tops and sides.

STEP 2 - Adjust Door Hinges (if needed)

The doors on your cabinet should be evenly spaced and the doors should open and close freely without rubbing against the door frame.

If the cabinet's doors appear out of alignment, this condition can be corrected with minor adjustment to the European hinges on each door.

Because these hinges are infinitely adjustable, adjusting one hinge element can sometimes cause the need for adjustments to other elements. But with a few adjustments, you can modify the orientation of the cabinet doors to make sure that they hang perfectly within your cabinet.



Use the **Phillips Screwdriver (A)** supplied to adjust Signal's door hinges:

- By adjusting **Screw 1**, the door will move LEFT or RIGHT within the frame. Make minor adjustments at both top and bottom hinges for best results.
- By adjusting **Screw 2** the entire door will move IN or OUT, opening or closing the gap between the door frame and cabinet. (This screw rarely needs adjustment.)