

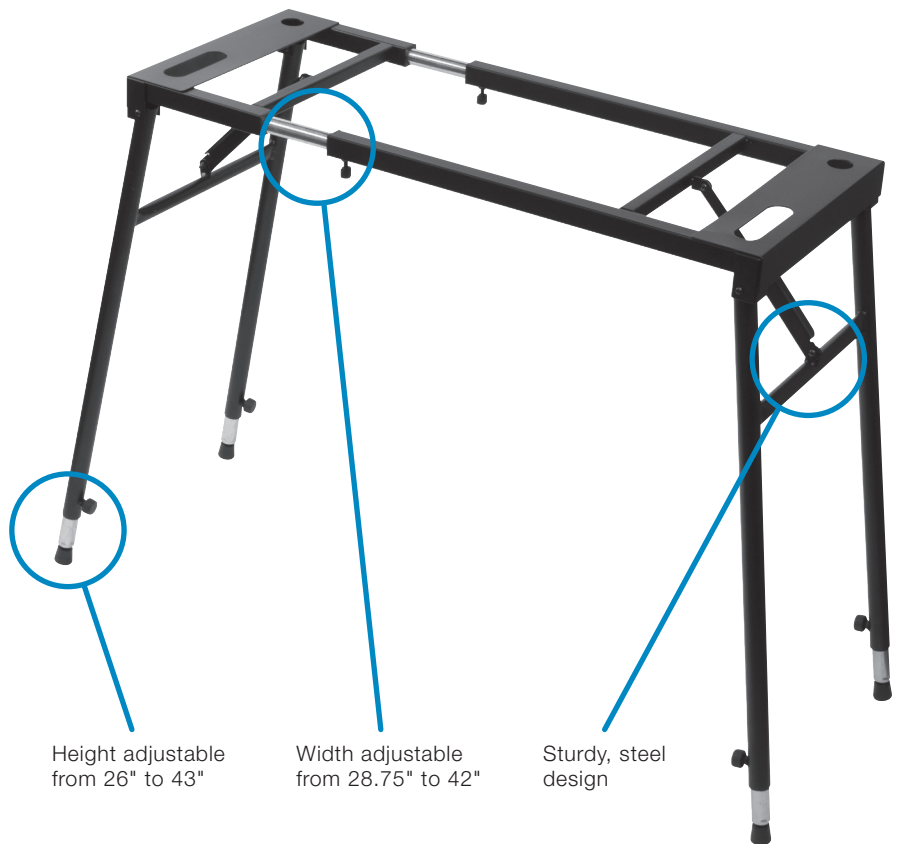
Multi-Purpose Keyboard/Mixer Stand



JS-MPS1 item# 17252

Sometimes you have a piece of gear that just doesn't fit neatly onto a standard stand. That's why we have the Multi-purpose Keyboard/Mixer Stand. Big enough and strong enough to support large mixers, 88-note keyboards, DJ gear, and more, you won't know how you ever lived without it. The heavy-duty flat top stand provides a sturdy platform, and the legs telescope to your perfect height setting.

Large enough for mixers, keyboards, DJ coffins, & more!



Height adjustable from 26" to 43"

Width adjustable from 28.75" to 42"

Sturdy, steel design

Specs

- Product Name: JS-MPS1
- Part Number: 17252
- Capacity: 110 lbs. (50 kg)
- Height: 26" – 43" (660mm – 1092mm)
- Table Width: 28.75" – 42" (730mm – 1067mm)
- Base Depth: 12.5" (318mm)
- Weight: 14.9 lbs. (6,8 kg)