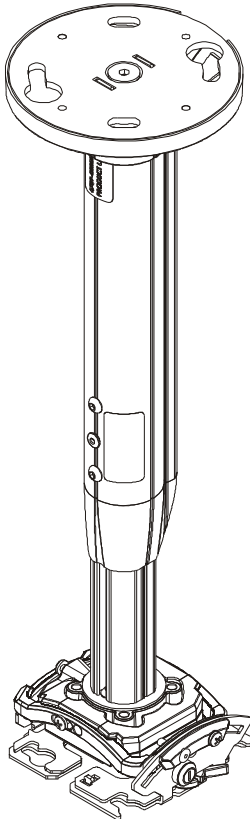
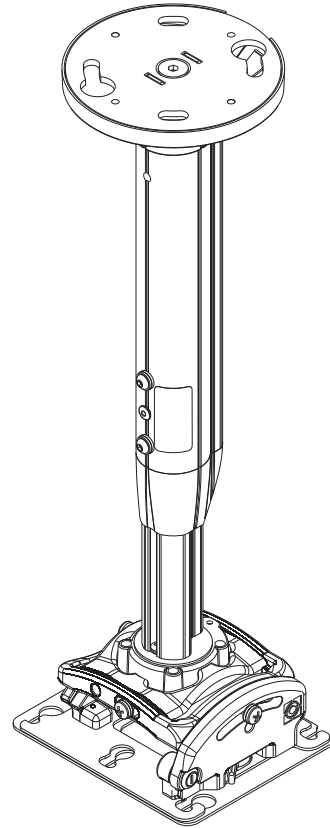

INSTALLATION INSTRUCTIONS

INSTRUCTIONS D'INSTALLATION

MONTAGEANLEITUNG



KITEC SERIES



KITMC SERIES

Projector Mount Kits

Kits de montage pour projecteurs

Projektorhalterungssets

DISCLAIMER

Milestone AV Technologies and its affiliated corporations and subsidiaries (collectively "Milestone"), intend to make this manual accurate and complete. However, Milestone makes no claim that the information contained herein covers all details, conditions or variations, nor does it provide for every possible contingency in connection with the installation or use of this product. The information contained in this document is subject to change without notice or obligation of any kind. Milestone makes no representation of warranty, expressed or implied, regarding the information contained herein. Milestone assumes no responsibility for accuracy, completeness or sufficiency of the information contained in this document.

Chief® is a registered trademark of Milestone AV Technologies. All rights reserved.



WARNING: Use this mounting system only for its intended use as described in these instructions. Do not use attachments not recommended by the manufacturer.



WARNING: Never operate this mounting system if it is damaged. Return the mounting system to a service center for examination and repair.



WARNING: Do not use this product outdoors.

--SAVE THESE INSTRUCTIONS--



IMPORTANT SAFETY INSTRUCTIONS



WARNING: A WARNING alerts you to the possibility of serious injury or death if you do not follow the instructions.



CAUTION: A CAUTION alerts you to the possibility of damage or destruction of equipment if you do not follow the corresponding instructions.



WARNING: Failure to read, thoroughly understand, and follow all instructions can result in serious personal injury, damage to equipment, or voiding of factory warranty! It is the installer's responsibility to make sure all components are properly assembled and installed using the instructions provided.



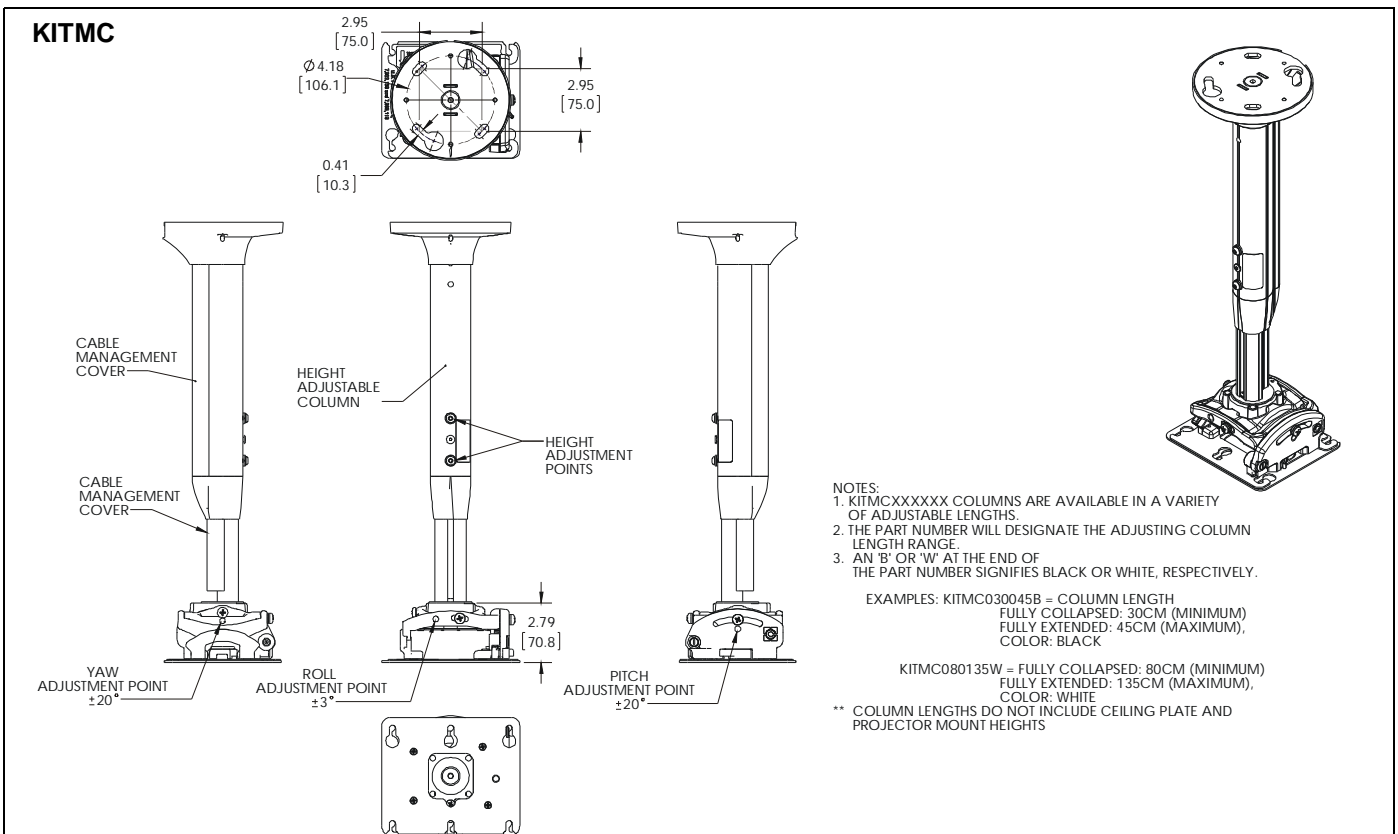
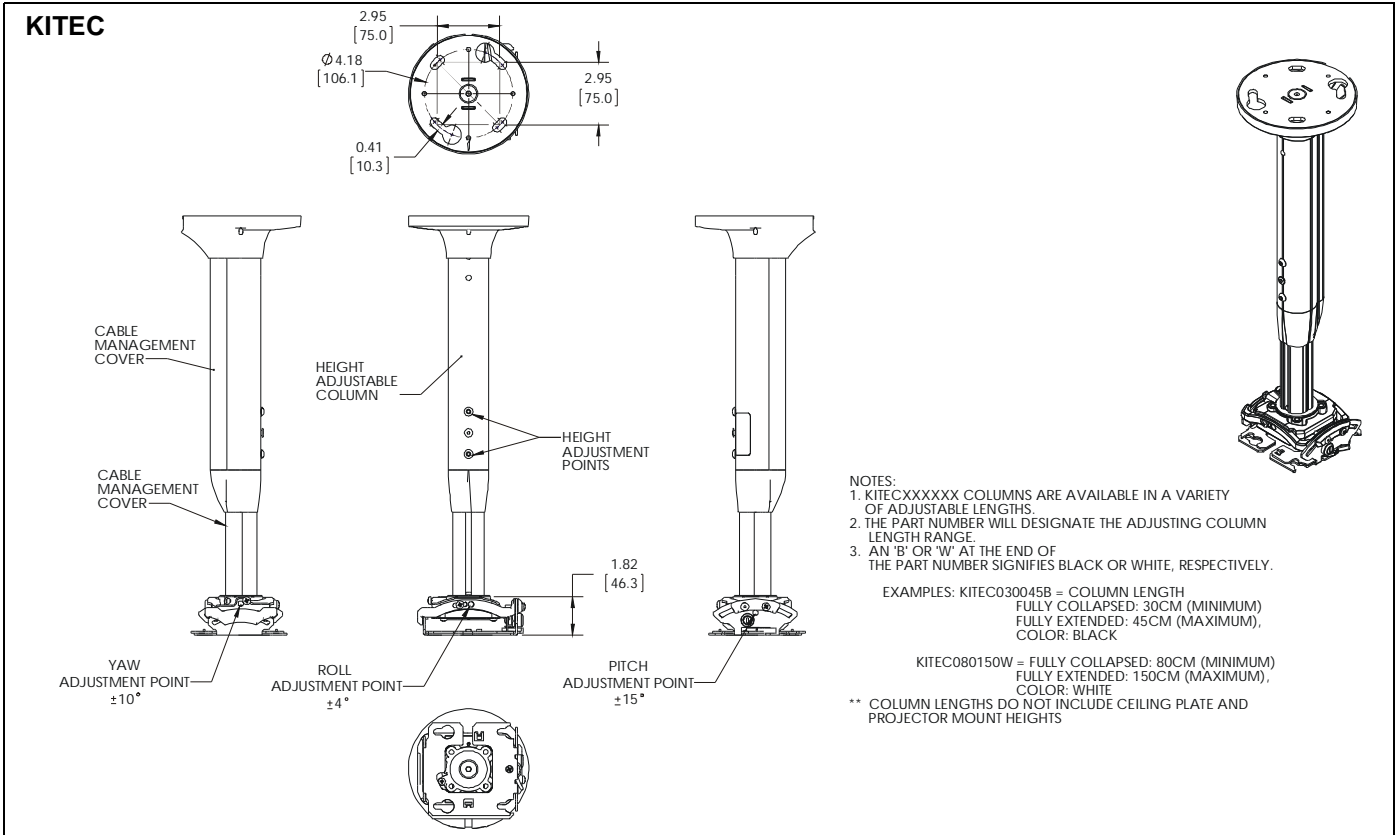
WARNING: Failure to provide adequate structural strength for this component can result in serious personal injury or damage to equipment! It is the installer's responsibility to make sure the structure to which this component is attached can support five times the combined weight of all equipment. Reinforce the structure as required before installing the component.



WARNING: Exceeding the weight capacity can result in serious personal injury or damage to equipment! It is the installer's responsibility to make sure the combined weight of all components located between the KITEC Series mount and the projector does not exceed 25 lbs (11.34 kg). It is the installer's responsibility to make sure the combined weight of all components located between the KITMC Series mount and the projector does not exceed 50 lbs (22.68 kg).

- The weight capacity of the KITEC/KITMC Series mount may be LIMITED to the lowest weight capacity of any other components located between the mount and the supporting structure!

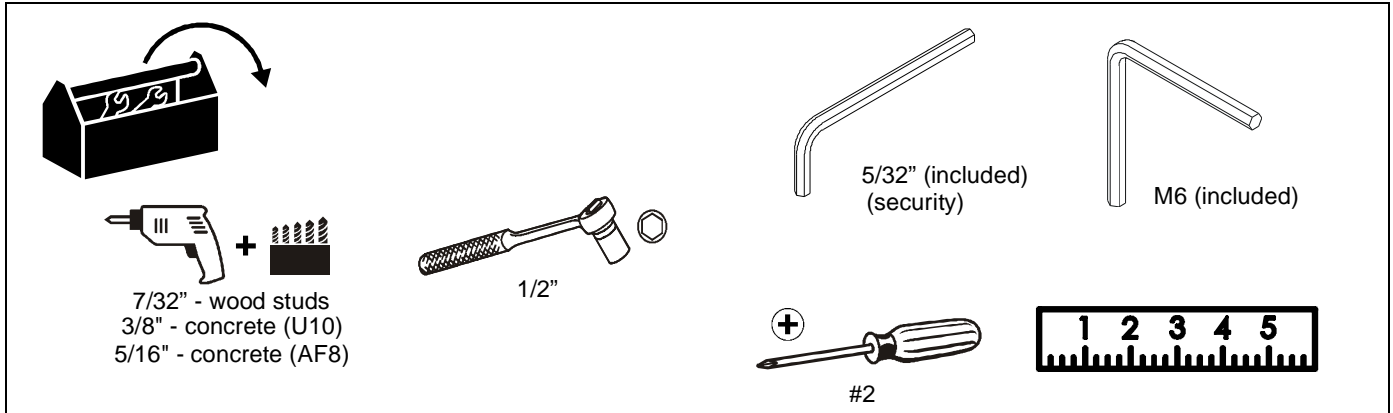
DIMENSIONS



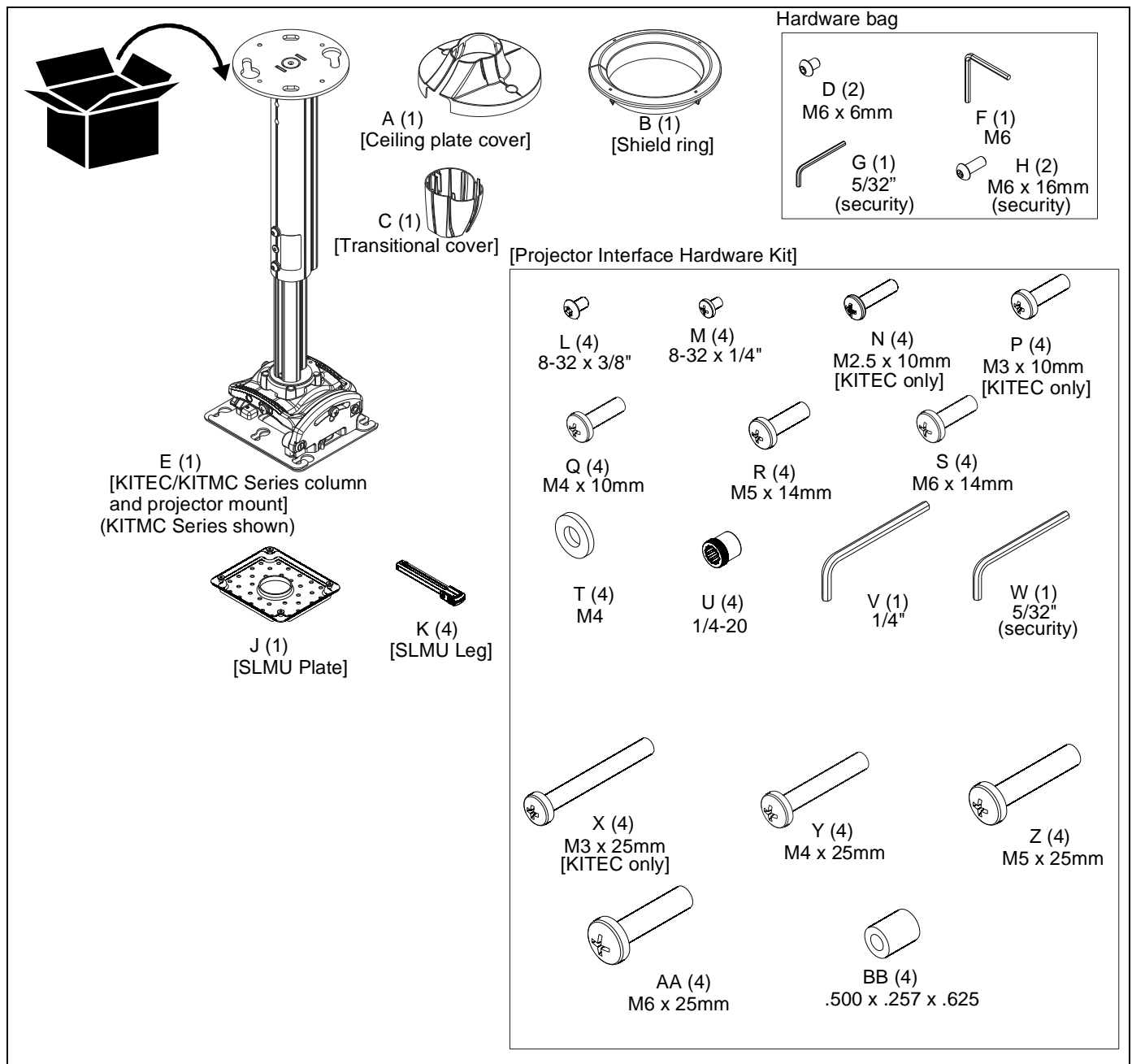
LEGEND

	Tighten Fastener Apretar elemento de fijación Befestigungsteil festziehen Apertar fixador Serrare il fissaggio Bevestiging vastdraaien Serrez les fixations		Pencil Mark Marcar con lápiz Stiftmarkierung Marcar com lápis Segno a matita Potloodmerkteken Marquage au crayon
	Loosen Fastener Aflojar elemento de fijación Befestigungsteil lösen Desapertar fixador Allentare il fissaggio Bevestiging losdraaien Desserrez les fixations		Drill Hole Perforar Bohrloch Fazer furo Praticare un foro Gat boren Percez un trou
	Phillips Screwdriver Destornillador Phillips Kreuzschlitzschraubendreher Chave de fendas Phillips Cacciavite a stella Kruiskopschroevendraaier Tournevis à pointe cruciforme		Adjust Ajustar Einstellen Ajustar Regolare Afstellen Ajuster
	Open-Ended Wrench Llave de boca Gabelschlüssel Chave de bocas Chiave a punte aperte Steeksleutel Clé à fourche		Remove Quitar Entfernen Remover Rimuovere Verwijderen Retirez
	By Hand A mano Von Hand Com a mão A mano Met de hand À la main		Optional Opcional Optional Opcional Opzionale Optie En option
	Hex-Head Wrench Llave de cabeza hexagonal Sechskantschlüssel Chave de cabeça sextavada Chiave esagonale Zeskantsleutel Clé à tête hexagonale		Security Wrench Llave de seguridad Sicherheitsschlüssel Chave de segurança Chiave di sicurezza Veiligheidsleutel Clé de sécurité

TOOLS REQUIRED FOR INSTALLATION



PARTS



Assembly And Installation

Security Screw Installation (Optional)

NOTE: Replacing standard button head cap screws with security screws (H) is optional depending on user preference. If not installing security screws, proceed to "Connecting to Ceiling" Section.

1. Loosen bolt on top of KITEC/KITMC Series mount (E) by turning bolt 1-2 full rotations. (See Figure 1)

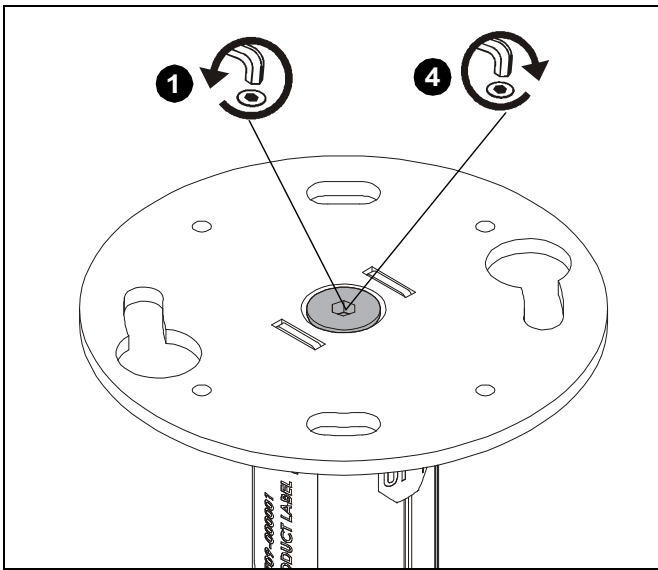


Figure 1

2. Remove two button head cap screws, two lock washers and two flat washers holding column of KITEC/KITMC Series mount (E) to adapter plate. (See Figure 2)

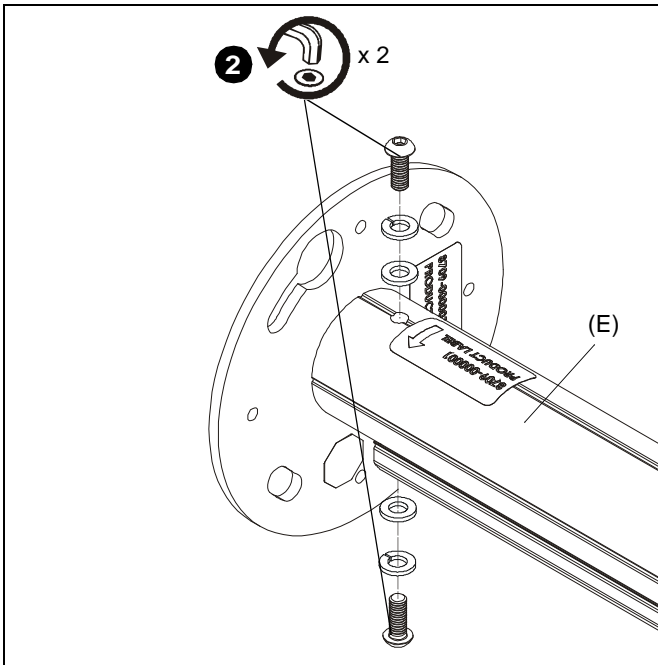


Figure 2

3. Use two M6 x 16mm security screws (H) and washers removed in Step 2 to secure KITEC/KITMC Series mount column to adapter plate. (See Figure 3)

IMPORTANT ! : Washers must be reinstalled in the same order with the lock washers being closest to the screw heads. (See Figure 3)

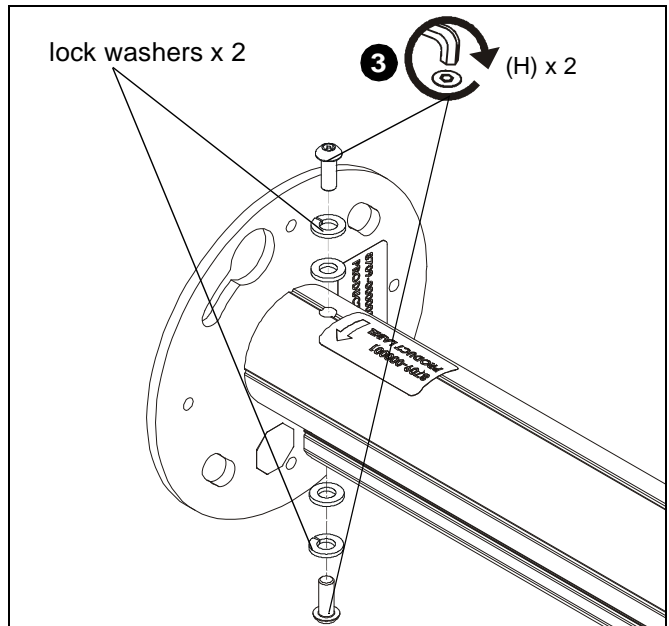


Figure 3

4. Tighten bolt on top of KITEC/KITMC Series mount (E). (See Figure 1)

Connecting to Ceiling

KITEC/KITMC Series mounts are designed for attachment to a double 2" x 4" wood framework ceiling, a concrete ceiling or a suspended metal framing channel ceiling.



WARNING: Do NOT attach to vertical mounting surfaces such as walls or angled ceilings!



WARNING: IMPROPER INSTALLATION CAN LEAD TO LIFT FALLING CAUSING SEVERE PERSONAL INJURY OR DAMAGE TO EQUIPMENT! It is the installer's responsibility to make certain the structure to which the mount is being attached is capable of supporting five times the weight of the CPA mount and all attached equipment. Reinforce the structure as required before installing the mount.

NOTE: The following instructions assume a suitable mounting structure and surface exists prior to installation.

NOTE: If installing to a ceiling with ceiling tiles, proceed to "Installing to Ceiling Tile" Section before installing to ceiling structure.

Installing to a Wood Framework (Joists)

IMPORTANT ! : KITEC/KITMC Series mounts are designed to be mounted to double 2" x 4" wood stud cross bracing (5" on center) between two ceiling joists with a maximum drywall covering of 5/8".

- Using ceiling plate (A) as a template, mark locations of four pilot holes (See Figure 4). Ensure the marks are in the center of wood joists.

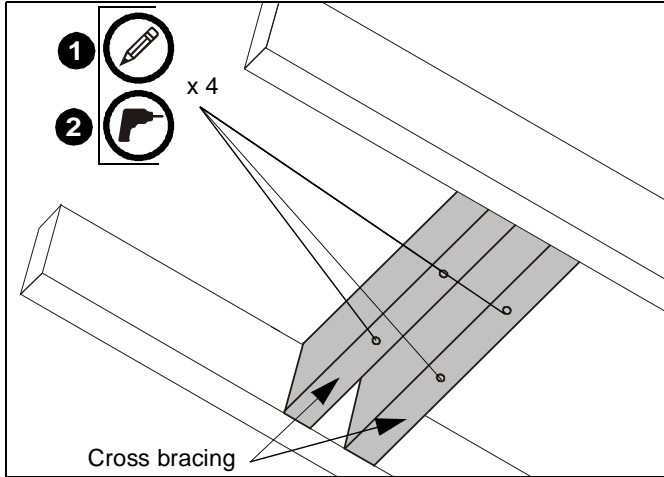


Figure 4

- Drill 7/32" diameter pilot holes into wood stud cross bracing. (See Figure 4) Ensure pilot holes are straight.
- Loosely install two 5/16" x 2-3/4" (minimum) lag screws (not included) through two 5/16" washers (not included) into opposite corners of holes drilled in wood stud cross bracing. (See Figure 5)
- Place ceiling plate up to ceiling and turn until lag screws hold plate up in position. (See Figure 5)

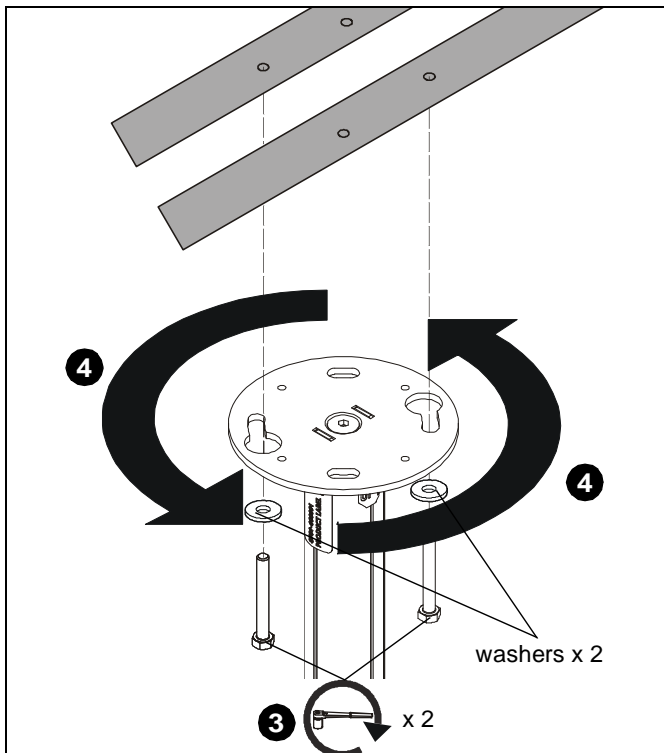


Figure 5

- Install two 5/16" x 2-3/4" (minimum) lag screws (not included) through holes on ceiling plate (A) and into holes drilled in wood stud cross bracing. (See Figure 6)
- Tighten all four lag screws to secure plate to ceiling. (See Figure 6)

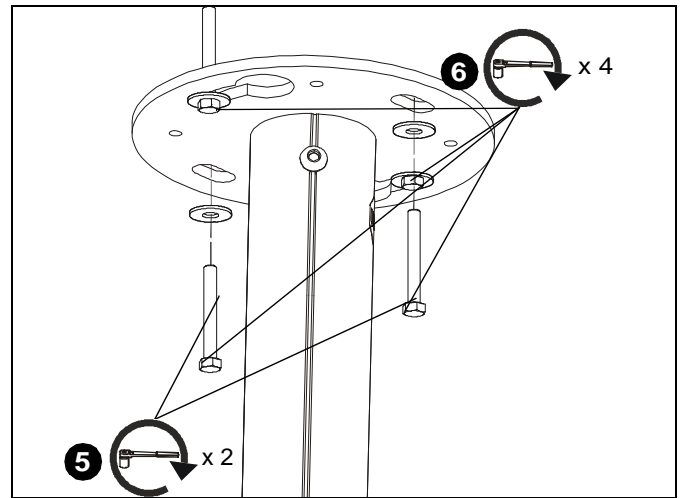


Figure 6

Installing to a Suspended Ceiling

NOTE: The CPA mount may be suspended from four 3/8 in. diameter threaded rods (not included) which are secured to a 1-5/8" x 1-5/8" 12ga metal framing strut channel (spanning a maximum of 4 feet--not provided) by 3/8" channel nuts (not included). Threaded rods must have 16 threads per square inch.

- Insert the rods into the four bolt holes in the CPA mount.
- Secure the threaded rods to the CPA mount with 3/8" jam nuts (not included) and washers (one of each on inside and one of each on outside-not provided). (See Figure 7)

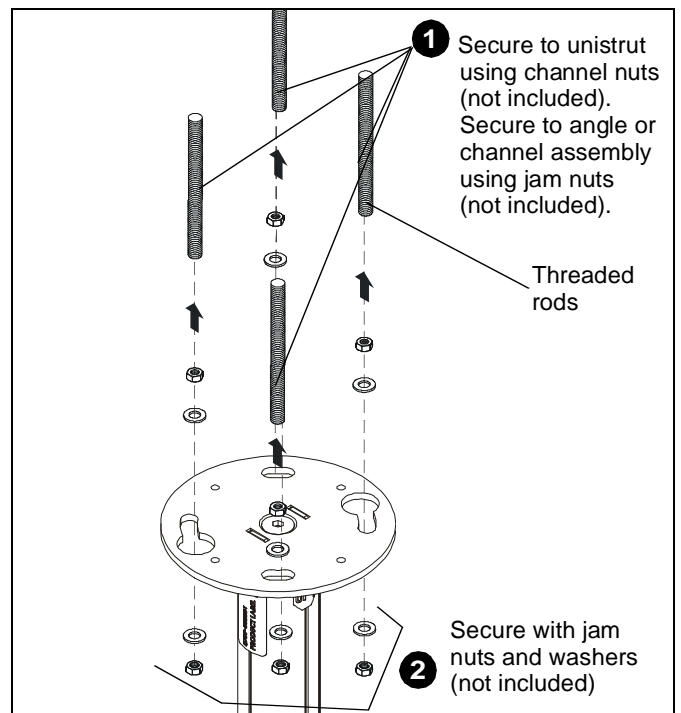


Figure 7

Installing to a Solid Concrete Ceiling Structure

⚠ WARNING: KITEC/KITMC Series mounts are designed to be mounted to a concrete ceiling with a minimum thickness of 8" and a maximum drywall covering of 5/8" (1.6cm).

⚠ WARNING: Fischer UX10 or AF8 anchors (not included) must be installed into structurally sound solid concrete. Installation into hollow concrete block, mortar, or concrete that exhibits cracking, spalling, or other defects may result in failure of anchor and serious personal injury or damage to equipment.

1. Using ceiling plate as a template, mark locations of four pilot holes on ceiling.
2. Drill pilot holes at marked locations. If using UX10 anchors, pilot hole diameter will be 3/8". If using AF8 anchors, pilot hole diameter will be 5/16".
3. Install four UX10 or AF8 anchors into four drilled holes. (See Figure 8)
4. Loosely install two 5/16" x 2 3/4" bolts (not provided) through two 5/16" flat washers (not provided) into opposite anchors. (See Figure 8)
5. Place ceiling plate up to ceiling and turn until bolts hold plate up in position. (See Figure 8)

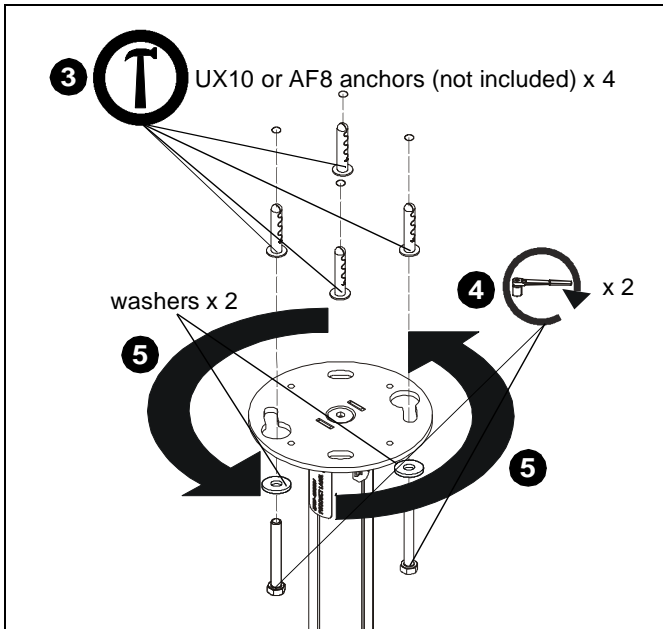


Figure 8

6. Install two 5/16" x 2 3/4" bolts (not included) through two 5/16" flat washers (not included) through holes on ceiling plate and into anchors. (See Figure 9)
7. Tighten all four bolts to secure plate to ceiling. (See Figure 9)

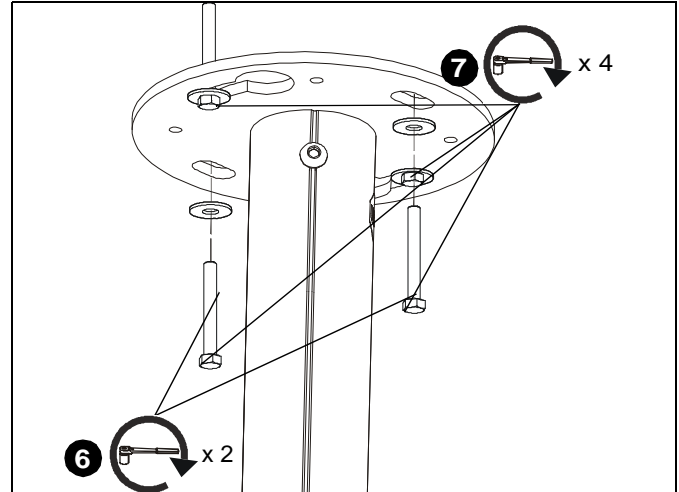


Figure 9

Installing to Ceiling Tile

1. Determine mounting location on ceiling.

NOTE: Mounting hole does NOT need to be centered on the tile being used for installation.

2. Remove ceiling tile to be used for installation from ceiling.
3. Cut hole in ceiling tile either by using trace template (See Figure 12) and a drywall saw or by using a circular cutter set to cut a hole 3 1/2" (88.9 mm) in diameter. (See Figure 10)

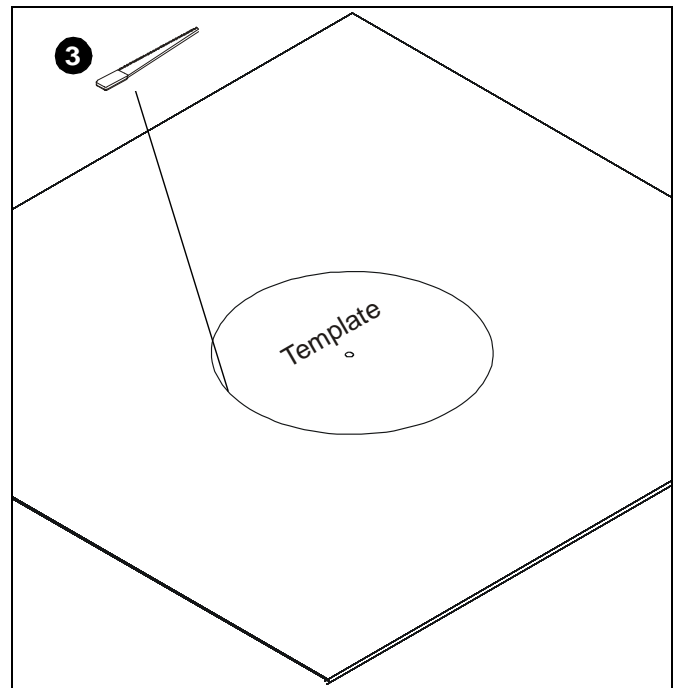


Figure 10

4. Attach ceiling plate and attached extension column to ceiling following instructions for corresponding ceiling structure.
5. Maneuver shield ring (B) so that it wraps around extension column. (See Figure 11)
6. Wrap ring (B) around extension column. (See Figure 11)
7. Press ring (B) into hole cut in Step 3 until the ring securely fits in hole. (See Figure 11)

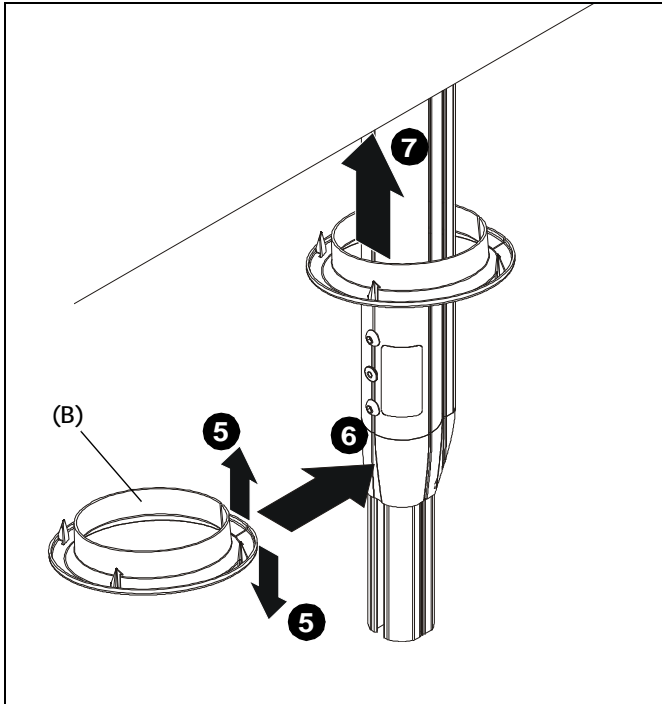


Figure 11

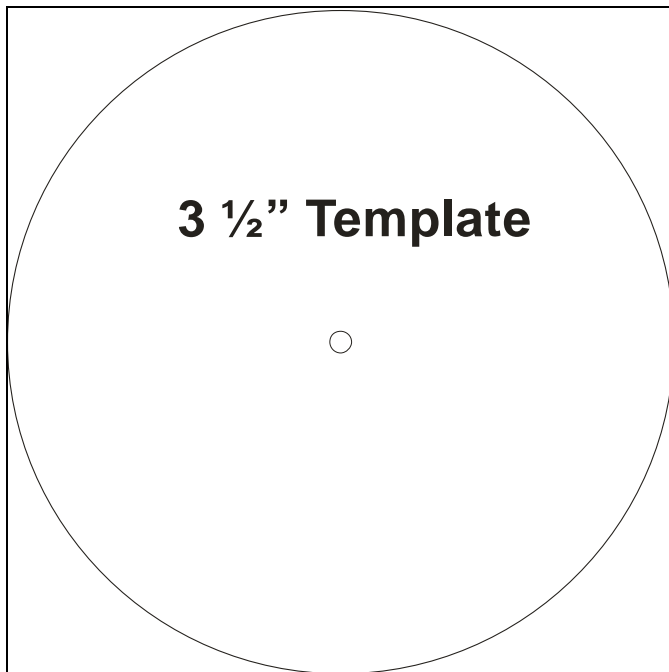


Figure 12

SLMU Installation

Remove Screw Adapters from SLMU Legs

1. Press locking buttons on SLMU leg (K) firmly and simultaneously push clip cover toward enclosed sliding stud mount bracket and screw. (See Figure 13)
2. Screw adapter and attached height-adjustment nut will be released. Set aside for later use. (See Figure 13)
3. Repeat Steps 1-2 for each leg to be used in installation.

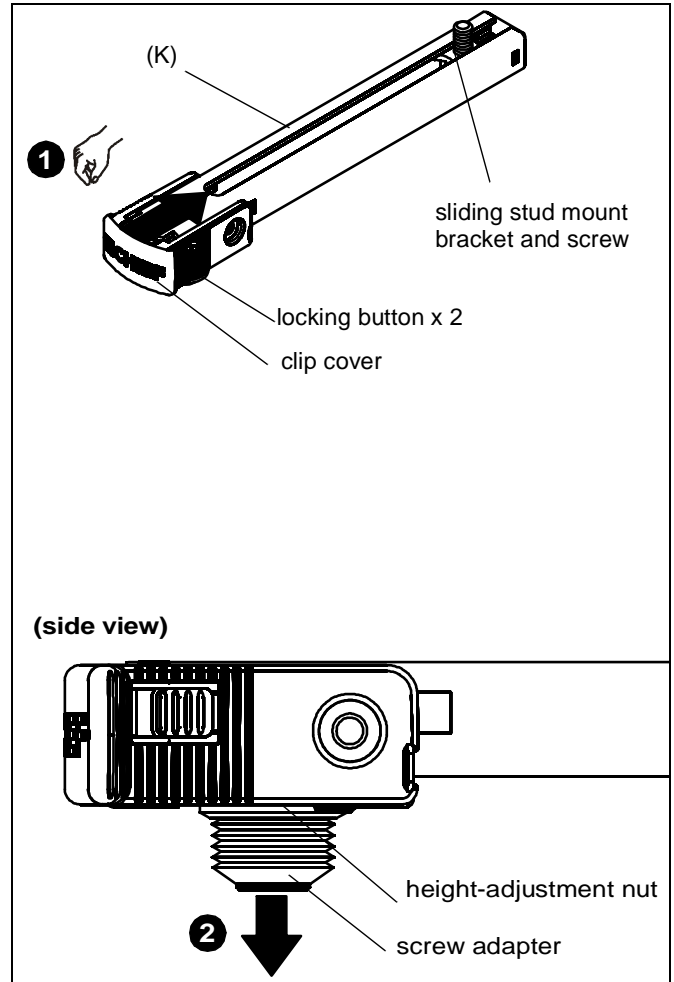


Figure 13

Attach Projector to SLMU



WARNING: Exceeding the weight capacity can result in serious personal injury or damage to equipment! It is the installer's responsibility to make sure the combined weight of all components attached to the SLMU interface brackets does not exceed 50 lbs (22.68 kg).

1. Determine proper size screw to insert into projector. Test Phillips screws (N, P, Q, R or S) provided until one fits the projector holes.
2. Insert screws through screw adapters with height-adjustable nuts and into projector holes. (See Figure 14)

NOTE: Only use washers (T) if using N or P screws to attach screw adapters to projector.

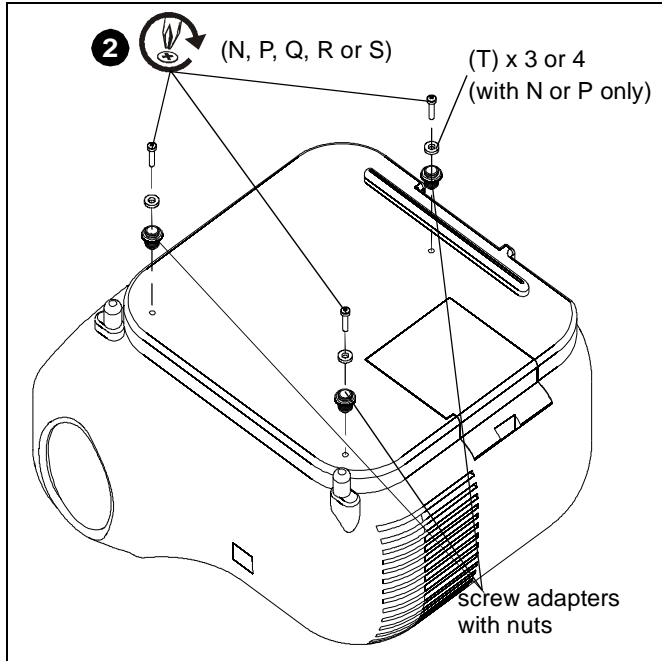


Figure 14

- Adjust height-adjustment nuts to desired level. (See Figure 15)

NOTE: Height-adjustment nuts should be adjusted as low as possible while ensuring that the legs will always clear any elevated surfaces on the projector. All nuts must be adjusted to the same level to ensure an even mount.

IMPORTANT ! : The optional Universal Hardware Kit - Long Screws (X,Y, Z, AA and BB) may be used if there is interference with any part of the projector, and more height is required to clear elevated surfaces of the projector.

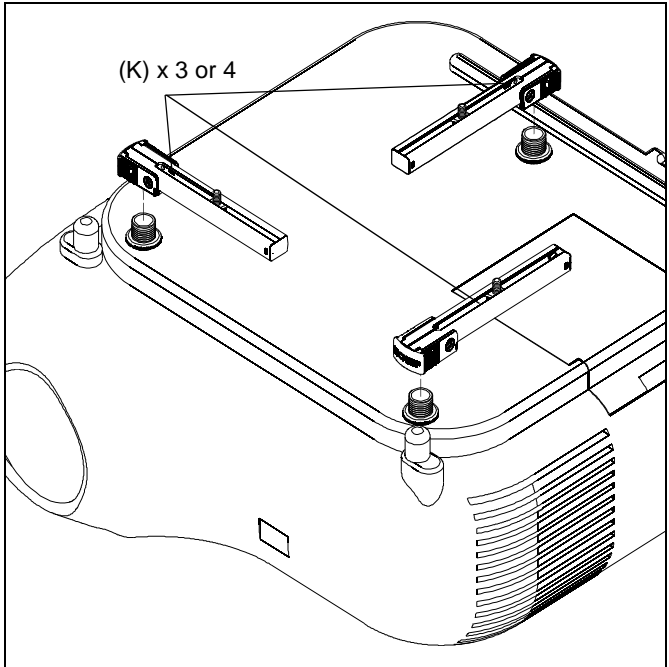


Figure 16

- Press locking buttons on SLMU leg (K) firmly and simultaneously push clip cover away from enclosed sliding stud mount bracket until clip cover is in the locked position. (See Figure 17)
- Repeat Step 5 for remaining legs.



WARNING: Make sure legs have securely locked onto height-adjustable nuts with the latch clips. If the legs are not properly locked onto the adapters, the projector could fall from the SLMU mount causing **SERIOUS INJURY** or **DEATH!**

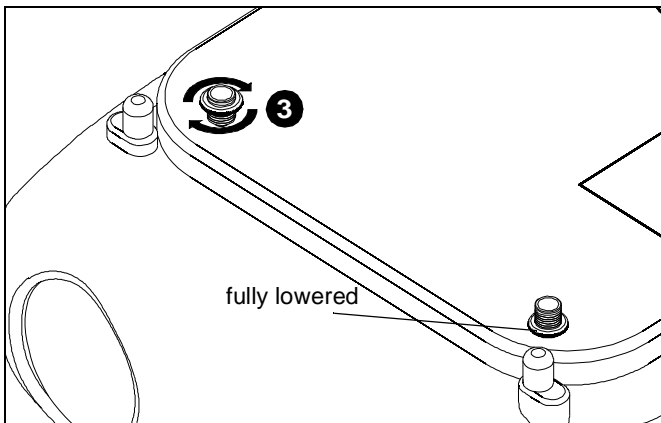


Figure 15

- Place SLMU legs (K) over screw adapters and height-adjustment nuts. (See Figure 16)

NOTE: Make sure arm latch clips are in the unlocked position.

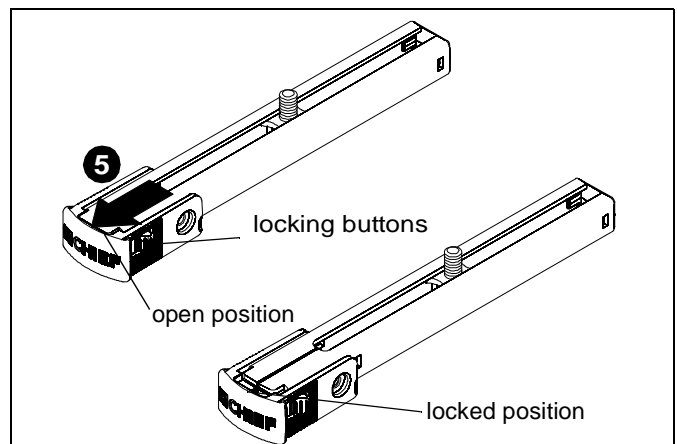


Figure 17

7. Maneuver legs so that sliding stud mount brackets and screws are towards the middle of the projector. (See Figure 18) and (See Figure 19)
8. Position sliding stud mount brackets and screws so that SLMU main plate (J) can be evenly mounted to legs. (See Figure 18) and (See Figure 19)
9. Use 1/4" hex key (V) to secure Allen nuts (U) to screws on sliding stud mounts. (See Figure 18) and (See Figure 19)

NOTE: The following examples are two of many possible scenarios based on typical examples of mounting hole patterns. Specific connection points will vary based on the hole pattern. Multiple scenarios may be used for each specific hole pattern as long as the weight of the projector is centered and balanced after mounting.

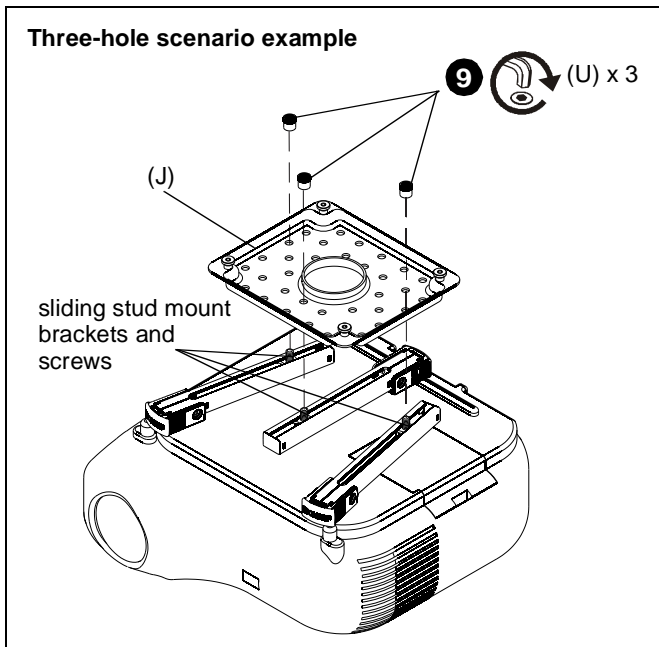


Figure 18

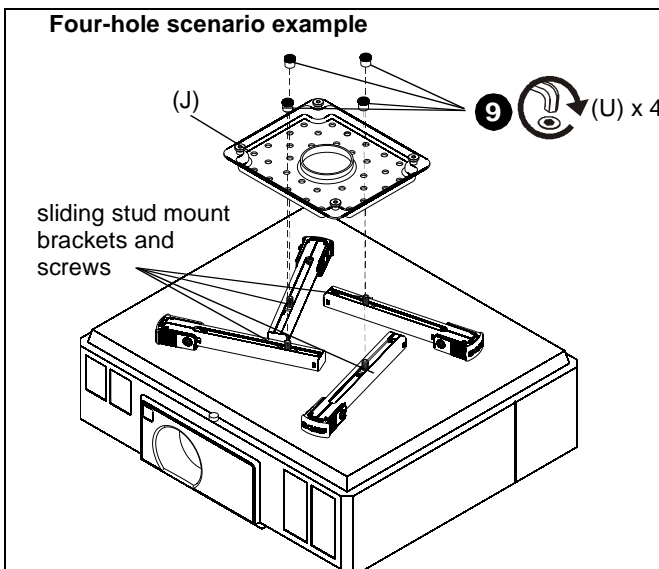


Figure 19

Projector Installation

Install Projector With Interface Bracket



WARNING: IMPROPER INSTALLATION CAN LEAD TO PROJECTOR FALLING RESULTING IN SERIOUS PERSONAL INJURY OR DAMAGE TO EQUIPMENT. DO NOT substitute hardware. Use only the hardware provided by the manufacturer.

1. Orient projector with interface bracket. (See Figure 20)
2. Lift projector so that screws with thumb nuts are aligned with mounting slots in mount base. (See Figure 20)
3. Slide projector with mounting bracket onto mounting slots in mount base until screws are seated against the back of mounting slots. (See Figure 20)

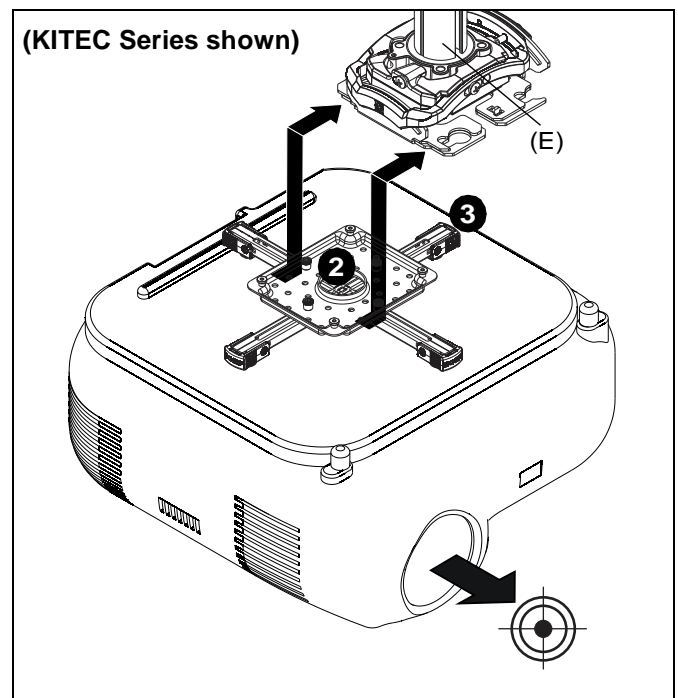


Figure 20



WARNING: IMPROPER INSTALLATION CAN LEAD TO PROJECTOR FALLING RESULTING IN SERIOUS PERSONAL INJURY OR DAMAGE TO EQUIPMENT. Make certain mounting slots in mount base slide under thumb screws and that screws are seated in the back of slots.

4. Verify mounting screws are properly seated in mounting slots in mount base.
5. Move locking lever to "Locked" position. (See Figure 21)
6. Insert key into lock and turn to secure projector to mount.

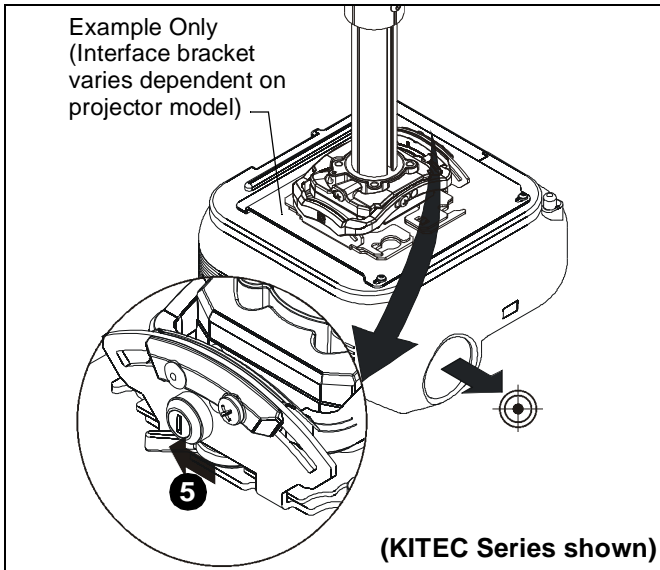


Figure 21

Installing Ceiling Plate Cover

1. Maneuver ceiling plate cover (A) so that it is able to wrap around extension column. (See Figure 22)
2. Wrap ceiling plate cover (A) around extension column. (See Figure 22)
3. Use two M6 x 6mm button head cap screws (D) to secure ceiling plate cover (A) to CPA116 plate (A). (See Figure 22)

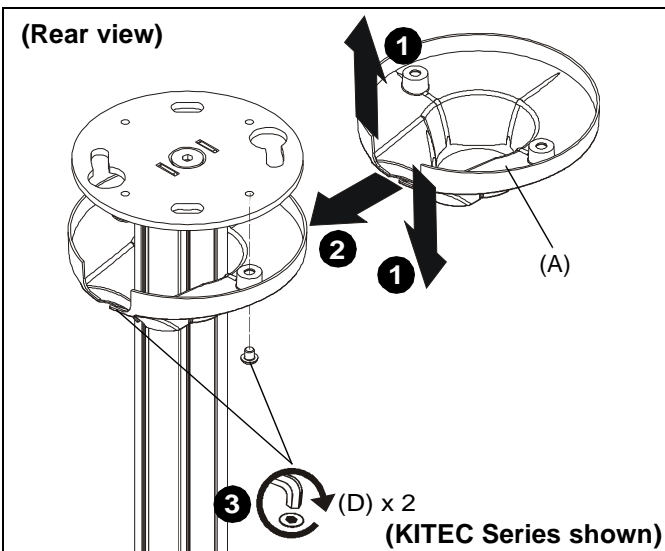


Figure 22

ADJUSTMENTS

YAW Adjustment

1. Loosen YAW adjustment locking screw using a #2 Phillips screwdriver. (See Figure 23)
2. Turn YAW micro-adjustment screw right or left using a #2 Phillips screwdriver until image is properly aligned on target. (See Figure 23)
3. Tighten YAW adjustment locking screw using a #2 Phillips screwdriver. (See Figure 23)

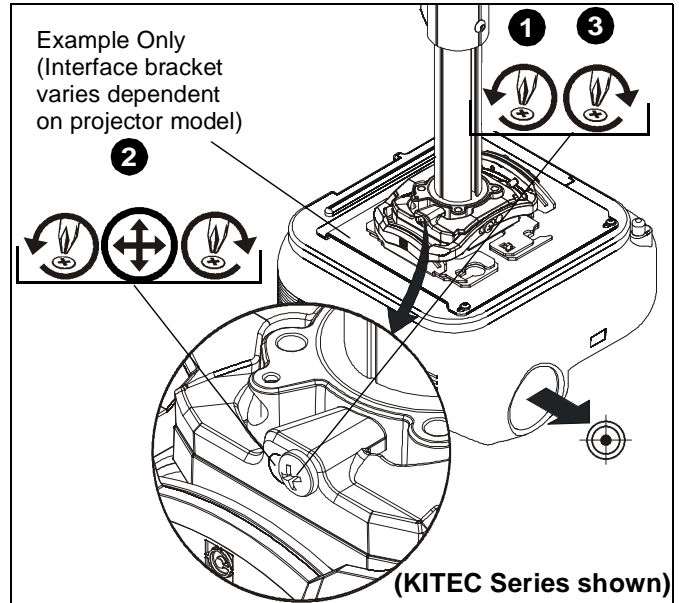


Figure 23

Pitch Adjustment

1. Loosen PITCH adjustment locking screw using a #2 Phillips screwdriver. (See Figure 24)
2. Turn PITCH micro-adjustment screw right or left using a #2 Phillips screwdriver until image is properly aligned on target. (See Figure 24)
3. Tighten PITCH adjustment locking screw using a #2 Phillips screwdriver. (See Figure 24)

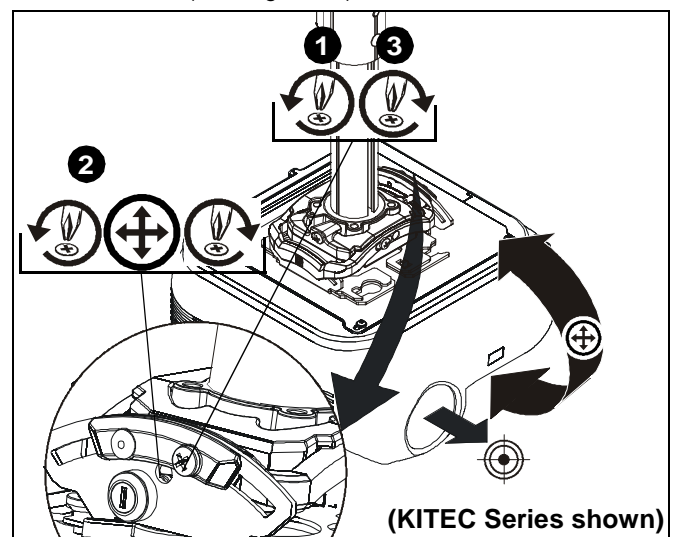


Figure 24

Roll Adjustment

1. Loosen ROLL adjustment locking screw using a #2 Phillips screwdriver. (See Figure 25)
2. Turn ROLL micro-adjustment screw right or left using a #2 Phillips screwdriver until image is properly aligned on target. (See Figure 25)
3. Tighten ROLL adjustment locking screw using a #2 Phillips screwdriver. (See Figure 25)

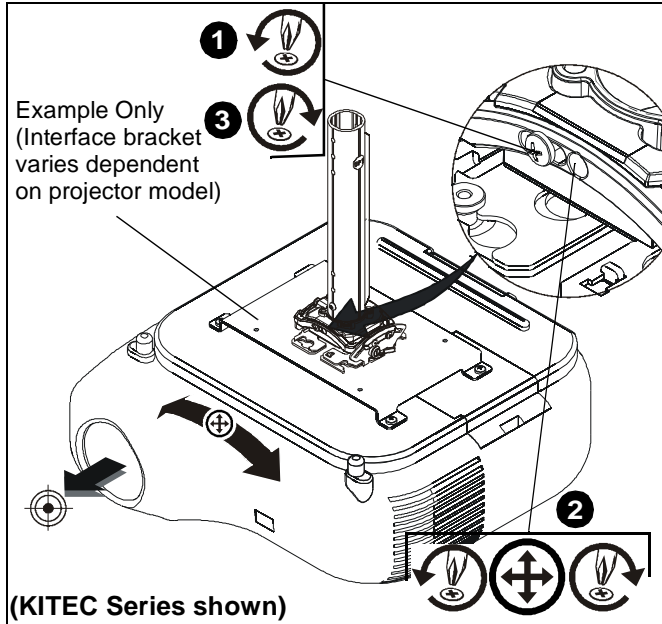


Figure 25

Height Adjustment



WARNING: Failure to provide adequate support for this mount during the height adjustment process can result in serious personal injury or damage to equipment! It is the installer's responsibility to make sure the projector is removed from the mount prior to adjustment and that the weight of the mount is supported while the height is being adjusted! Remove the projector from the mount prior to height adjustment!

1. Remove projector from mount.
2. Loosen height adjustment screws. (See Figure 26)
3. While supporting the weight of the projector mount, adjust height as desired. (See Figure 26)
4. Tighten height adjustment screws. (See Figure 26)
5. Reinstall projector to mount.

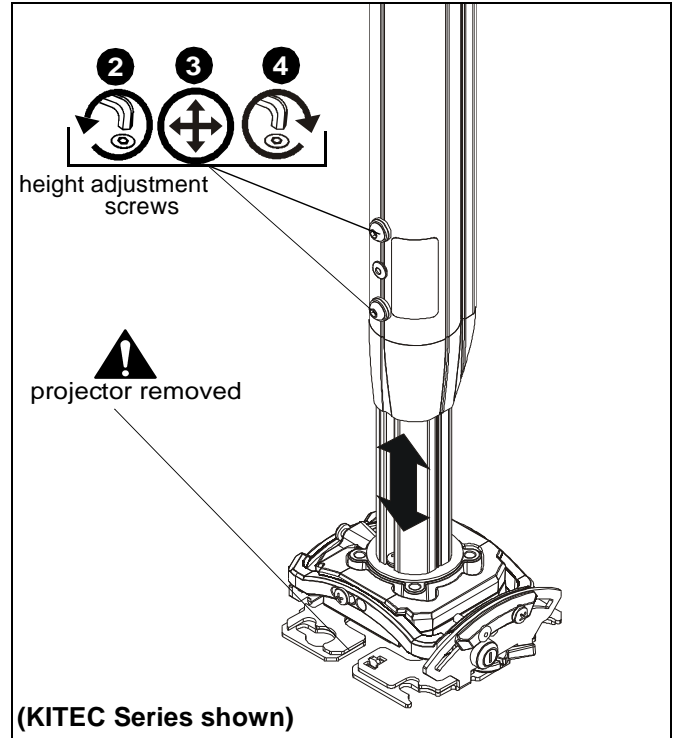


Figure 26

Cable Management

NOTE: If installing more than three cables through cable covers, the transitional cover may not fit well over the cables at the transition point. Follow Step 1 to help avoid this problem.

1. **(Optional)** Use a utility knife to cut a section of lower cable cover off to create a larger space for the cables to transition into the upper cable cover. (See Figure 27)

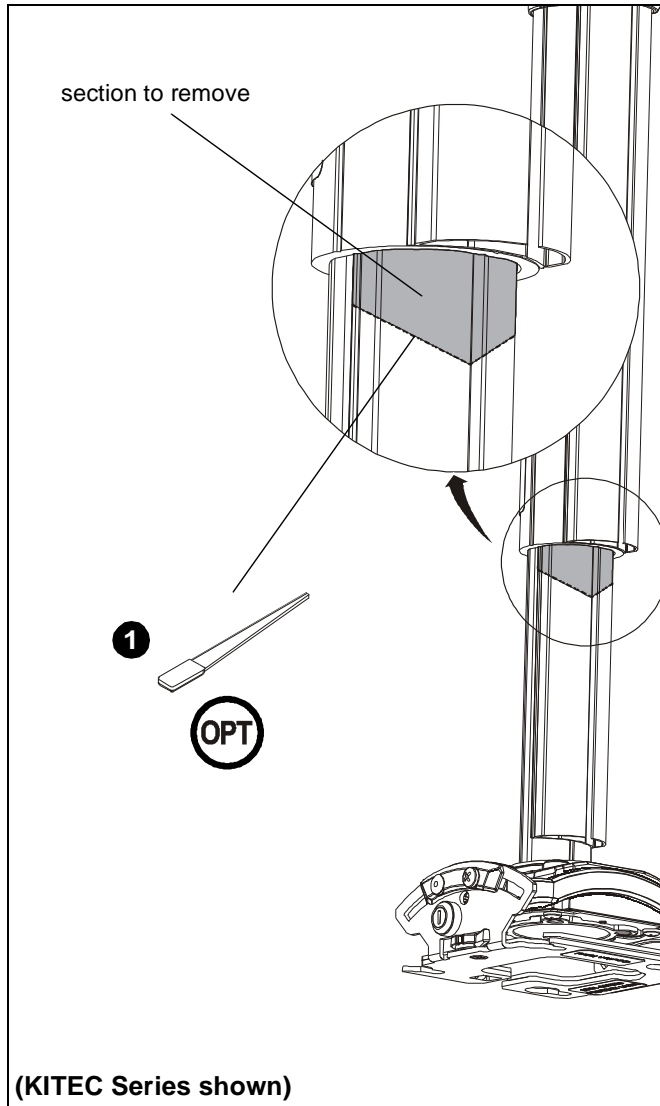


Figure 27

2. Route cables through lower cable cover. (See Figure 28)
3. Route cables through upper cable cover. (See Figure 28)
4. Route cables through ceiling plate cover (A). (See Figure 28)

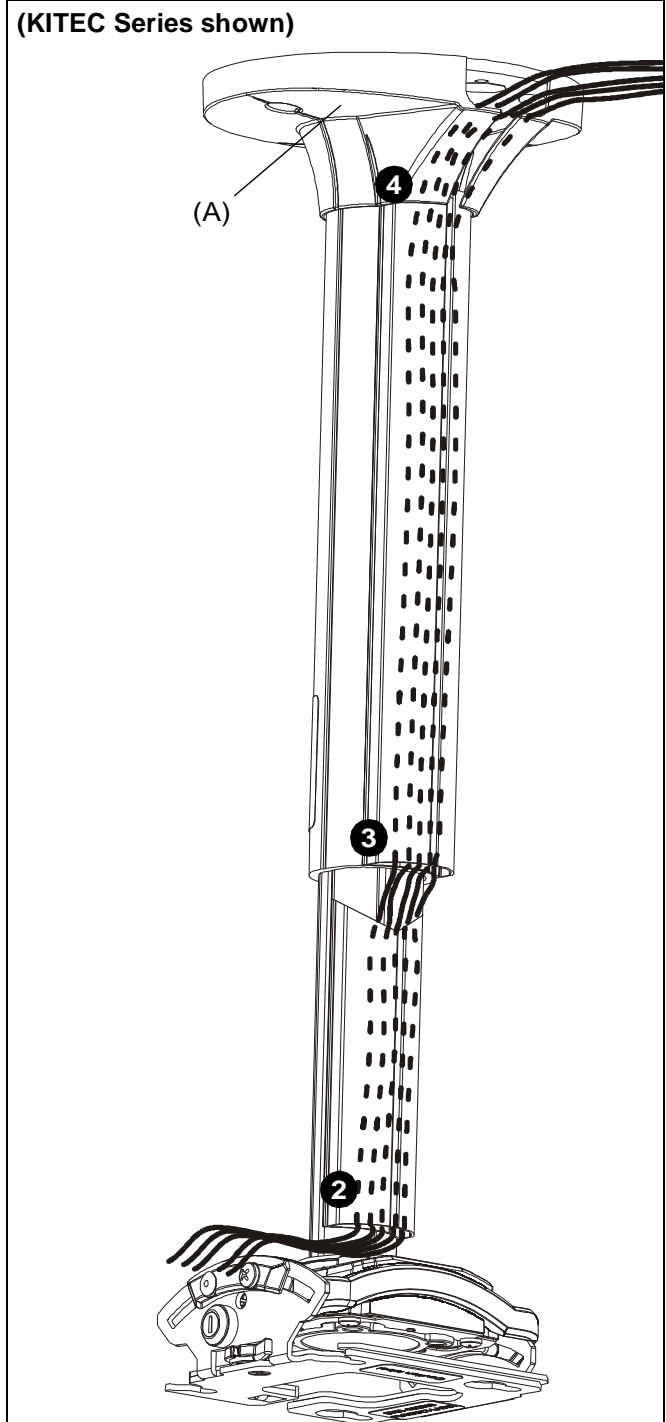


Figure 28

Installing Transitional Cover

1. Maneuver transitional cover (C) so that it is able to wrap around lower part of extension column. (See Figure 29)
2. Wrap transitional cover (C) around lower part of extension column. (See Figure 29)
3. Press transitional cover (C) into the base of upper part of extension column until the transition cover clicks into position. (See Figure 29)

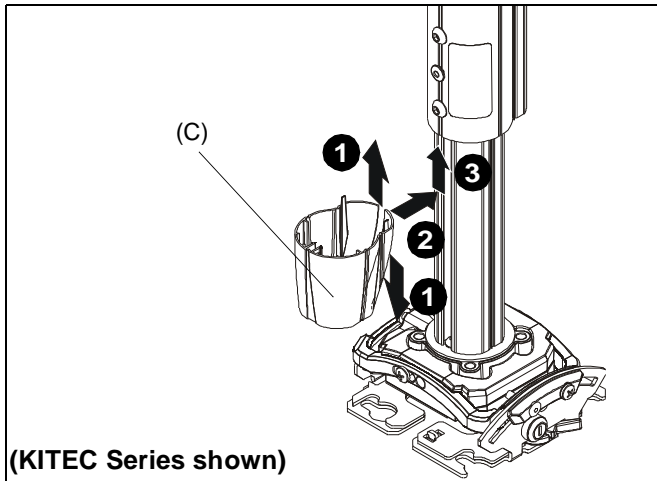


Figure 29

CLAUSES DE NON-RESPONSABILITÉ

Milestone AV Technologies, ainsi que ses filiales et entreprises affiliées (collectivement « Milestone »), ont fait en sorte que ce manuel soit exact et exhaustif. Cependant, Milestone ne garantit pas que les informations contenues dans le présent document couvrent tous les aspects, conditions ou variations, et ne peut prévoir tous les événements imprévus liés à l'installation ou à l'utilisation de ce produit. Les informations mentionnées au présent document sont susceptibles d'être modifiées sans aucun préavis ni obligation d'aucune sorte. Milestone ne consent aucune garantie, expresse ou implicite, au titre des informations contenues dans le présent document. Milestone ne garantit pas que les informations mentionnées au présent document sont exactes, exhaustives et suffisantes.

Chief® est une marque déposée de Milestone AV Technologies. Tous droits réservés.

DIRECTIVES DE SÉCURITÉ IMPORTANTES



AVERTISSEMENT : Un AVERTISSEMENT indique un risque potentiel de blessure grave ou de décès en cas de non-respect des instructions.



MISE EN GARDE : Une MISE EN GARDE indique un risque potentiel de dommage ou de destruction de l'équipement en cas de non-respect des instructions correspondantes.



AVERTISSEMENT : Le fait de ne pas lire, de ne pas bien comprendre et de ne pas suivre toutes les instructions peut entraîner de graves blessures corporelles, endommager l'équipement ou annuler la garantie du fabricant ! Il est de la responsabilité de l'installateur de s'assurer que tous les composants sont correctement assemblés et installés conformément aux instructions fournies.



AVERTISSEMENT : Une résistance structurale inadéquate pour ce composant peut entraîner de graves blessures corporelles ou endommager l'équipement ! Il est de la responsabilité de l'installateur de s'assurer que la structure à laquelle ce composant est attaché peut supporter cinq fois le poids total de l'équipement. Si nécessaire, renforcez la structure avant d'installer le composant.



AVERTISSEMENT : Le dépassement des limites de poids peut entraîner de graves blessures corporelles ou endommager l'équipement ! Il est de la responsabilité de l'installateur de s'assurer que le poids total de tous les composants situés entre le système de montage de série KITEC et le projecteur ne dépasse pas 11,34 kg (25 lbs). Il est de la responsabilité de l'installateur de s'assurer que le poids total de tous les composants situés entre le système de montage de série KITMC et le projecteur ne dépasse pas 22,68 kg (50 lbs).

- La capacité pondérale du système de montage de série KITEC/KITMC peut être LIMITÉE à la capacité pondérale la plus basse de tout autre composant situé entre le système de montage et la structure support !



AVERTISSEMENT : N'utilisez ce système de montage que pour l'usage prévu conformément à ces directives. N'utilisez pas d'accessoires non recommandés par le fabricant.



AVERTISSEMENT : N'utilisez en aucun cas ce système de montage s'il est endommagé. Dans ce cas, renvoyez le système à un centre d'entretien pour examen et réparation.



AVERTISSEMENT : N'utilisez pas ce produit à l'extérieur.

--CONSERVEZ CES INSTRUCTIONS--

DIMENSIONS

KITEC

Top view dimensions:
 - Diameter: $\varnothing 4,18$ [106,1]
 - Spacing: 2,95 [75,0]
 - Offset: 0,41 [10,3]

Labels:
 - CÂCHE-CÂBLES
 - POINTS DE RÉGLAGE DE LA HAUTEUR
 - POINT DE RÉGLAGE DE L'ONDULATION $\pm 4^\circ$
 - POINT DE RÉGLAGE DE L'INCLINAISON $\pm 15^\circ$

Bottom view dimension:
 - Offset: 1,82 [46,3]

REMARQUES :
 1. LES COLONNES KITEXXXXXX SONT PROPOSÉES DANS DIFFÉRENTES LONGUEURS RÉGLABLES.
 2. LA LONGUEUR SERA INDIQUÉE DANS LA RÉFÉRENCE DU PRODUIT.
 3. LE NOIR EST LA COULEUR STANDARD. LA LETTRE 'B' OU 'W' À LA FIN DE LA RÉFÉRENCE PRODUIT SIGNIFIE NOIR OU BLANC, RESPECTIVEMENT.

EXEMPLES : KITE030045B= ENTIÈREMENT RÉTRACTÉ : 30 CM (MINIMUM)
 ENTIÈREMENT DÉPLOYÉ : 45 CM (MAXIMUM),
 COULEUR : NOIR
 KITE080150W = ENTIÈREMENT RÉTRACTÉ : 80 CM (MINIMUM)
 ENTIÈREMENT DÉPLOYÉ : 150 CM (MAXIMUM),
 COULEUR : BLANC

KITMC

Top view dimensions:
 - Diameter: $\varnothing 4,18$ [106,1]
 - Spacing: 2,95 [75,0]
 - Offset: 0,41 [10,3]

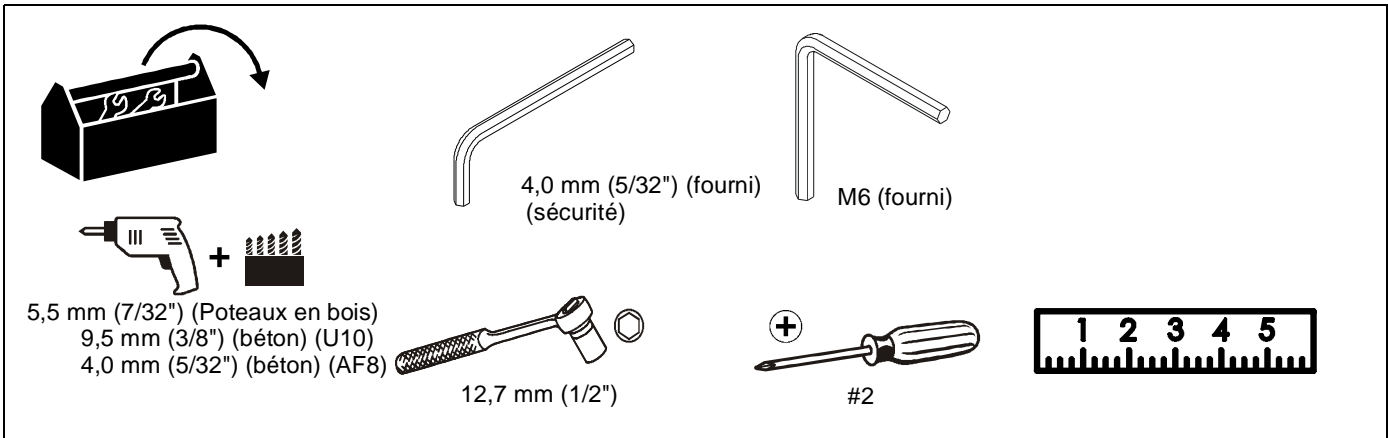
Labels:
 - CÂCHE-CÂBLES
 - POINTS DE RÉGLAGE DE LA HAUTEUR
 - POINT DE RÉGLAGE DE L'ONDULATION $\pm 3^\circ$
 - POINT DE RÉGLAGE DE L'INCLINAISON $\pm 20^\circ$

Bottom view dimension:
 - Offset: 2,79 [70,8]

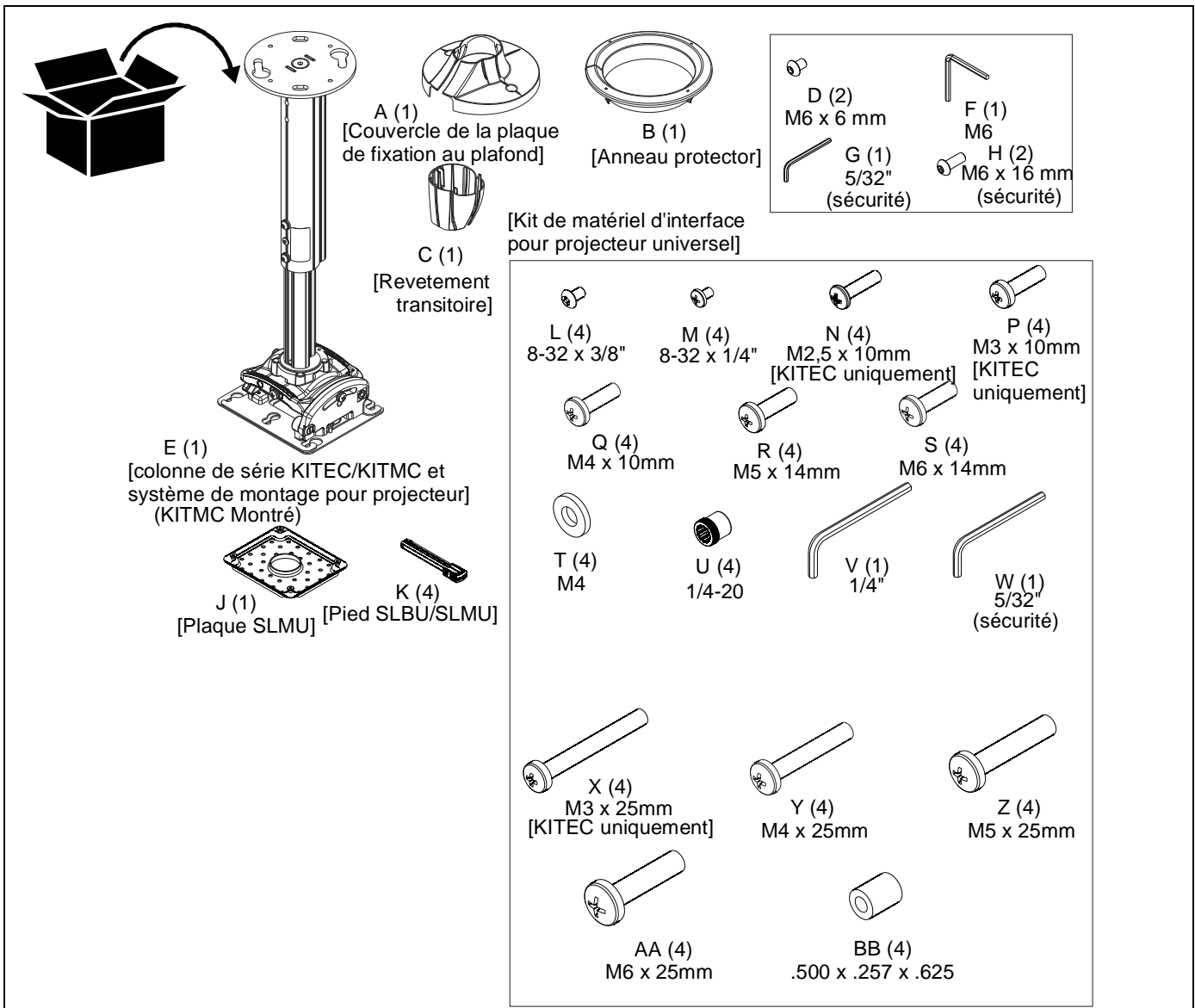
REMARQUES :
 1. LES COLONNES KITMCXXXXX SONT PROPOSÉES DANS DIFFÉRENTES LONGUEURS RÉGLABLES.
 2. LA LONGUEUR SERA INDIQUÉE DANS LA RÉFÉRENCE DU PRODUIT.
 3. LE NOIR EST LA COULEUR STANDARD. LA LETTRE 'B' OU 'W' À LA FIN DE LA RÉFÉRENCE PRODUIT SIGNIFIE NOIR OU BLANC, RESPECTIVEMENT.

EXEMPLES : KITE030045B= ENTIÈREMENT RÉTRACTÉ : 30 CM (MINIMUM)
 ENTIÈREMENT DÉPLOYÉ : 45 CM (MAXIMUM),
 COULEUR : NOIR
 KITE080150W = ENTIÈREMENT RÉTRACTÉ : 80 CM (MINIMUM)
 ENTIÈREMENT DÉPLOYÉ : 150 CM (MAXIMUM),
 COULEUR : BLANC

OUTILS NÉCESSAIRES À L'INSTALLATION



PIÈCES



Assemblage et installation

Installation de la vis de sécurité (en option)

NOTE: Le remplacement des vis à tête ronde standard avec des vis de sécurité (H) est en option selon les préférences de l'utilisateur. Si vous n'installez pas les vis de sécurité, passez à la section « Raccordement au plafond ».

1. Desserrez le boulon au dessus du support de série KITEC/ KITMC (E) en tournant le boulon en 1 à 2 rotations complètes. (Voir la Figure 1)

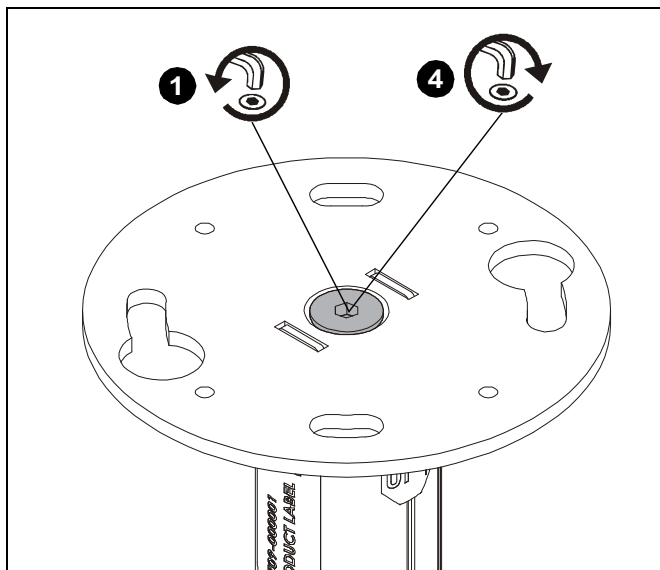


Figure 1

2. Retirez deux vis à tête ronde, deux rondelles de sécurité et deux rondelles plates qui fixent la colonne du support de série KITEC/KITMC (E) à la plaque adaptatrice. (Voir la Figure 2)

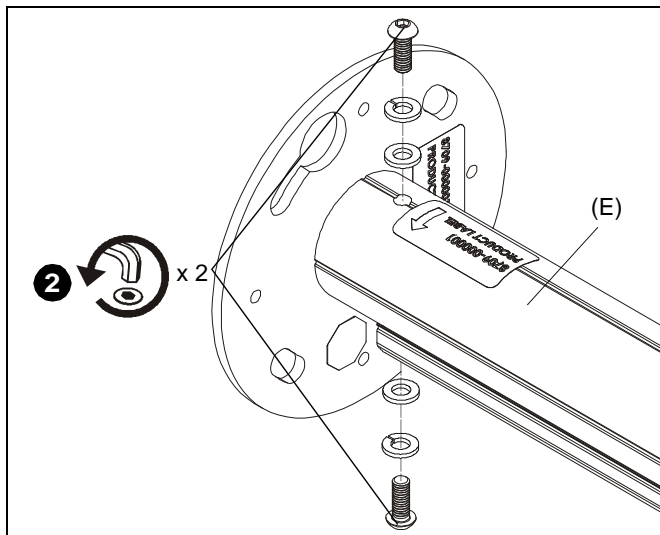


Figure 2

3. Utilisez deux vis de sécurité (H) M6 x 16 mm et des rondelles retirées à l'étape 2 pour fixer la colonne de montage de série KITEC/KITMC à la plaque adaptatrice. (Voir la Figure 3)

IMPORTANT ! : Les rondelles doivent être installées à nouveau dans le même ordre, les rondelles de sécurité étant plus proches des tête des vis. (Voir la Figure 3)

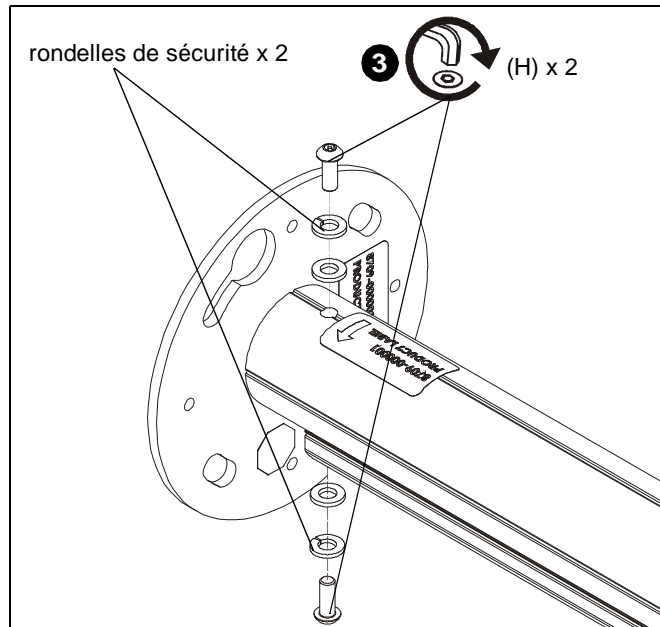


Figure 3

4. Serrez le boulon au dessus du support de série KITEC/ KITMC (E). (Voir la Figure 1)

Raccordement au plafond

Ces supports de série KITEC/KITMC sont destinés à être fixés à un plafond en béton, ou un plafond de tige en métal 3/8 "suspendu ; et requiert une surface disponible de 5 cm x 10 cm (2" x 4")



AVERTISSEMENT : Ne PAS fixer à une surface de montage verticale comme des murs ou des plafonds coudés !



AVERTISSEMENT : UNE MAUVAISE INSTALLATION PEUT PROVOQUER LA CHUTE DE L'ÉLÉVATEUR ET ENDOMMAGER CELUI-CI, VOIRE ENTRAÎNER DES BLESSURES CORPORELLES GRAVES ! Il est de la responsabilité de l'installateur de s'assurer que la structure à laquelle le support est fixé peut supporter 5 fois le poids de l'ensemble constitué par le support du CPA et le matériel qui y est fixé. Si nécessaire, renforcez la structure avant d'installer ce support.

REMARQUE : Les présentes instructions impliquent qu'on s'est assuré, avant installation, qu'il existe bien une structure de fixation et une surface adéquates.

REMARQUE : Si l'installation au plafond se fait à l'aide des carreaux de plafond, passez à la section « Installation aux carreaux de plafond » avant d'installer la structure de plafond.

Pose sur un montant en bois (solives)

IMPORTANT ! : De série KITEC/KITMC est conçu pour être monté à un double contreventement transversal de montants en bois de 5 cm x 10 cm (2"x 4") (12,7 cm (5") au centre) entre deux solives de plafond avec une épaisseur de revêtement de cloison sèche maximum de 1,6 cm (5/8").

1. Utilisez la plaque de fixation au plafond (A) comme modèle, marquez les emplacements des quatre avant-trous (Voir la Figure 4). Assurez-vous que les marques se trouvent au centre des solives en bois.

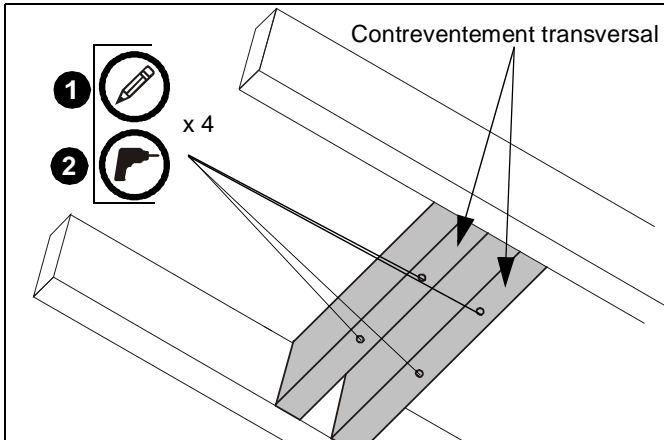


Figure 4

2. Percez les avant-trous de 5,55 mm (7/32") de diamètre dans les contreventements transversaux des montants en bois. (Voir la Figure 4) Assurez-vous que les avant-trous sont droi
3. Installez librement deux vis tire-fond de 8 mm x 7 mm (5/16" x 2-3/4") (minimum) (non incluses) dans deux rondelles de 8 mm (5/16") (non incluses) dans les coins opposés de trous percés dans les contreventements transversaux des montants en bois. (Voir la Figure 5)
4. Placez la plaque pour plafond jusqu'au plafond et tournez jusqu'à ce que les vis tire-fond fixent la plaque en position. (Voir la Figure 5)

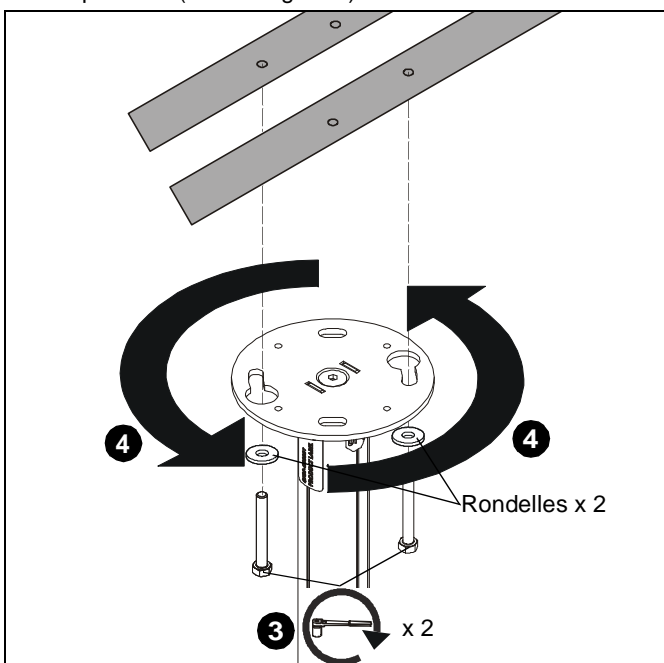


Figure 5

5. Installez deux vis tire-fond de 8 mm x 7 mm (5/16" x 2-3/4") (minimum) (non incluses) dans les trous sur la plaque pour plafond et dans les trous percées dans les contreventements transversaux des montants en bois. (Voir la Figure 6)
6. Serrez les quatre vis tire-fond pour fixer la plaque au plafond. (Voir la Figure 6)

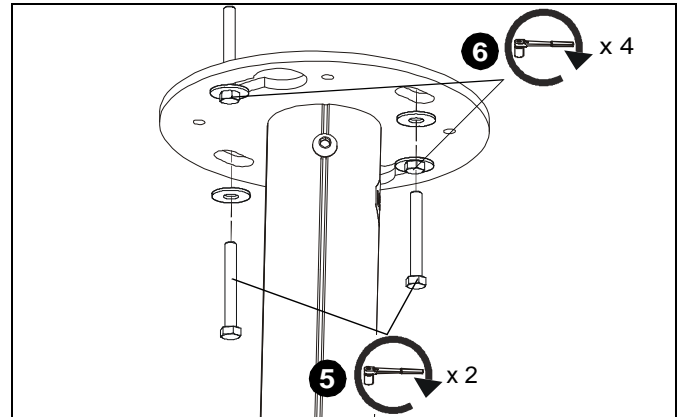


Figure 6

Installation à un plafond suspendu

REMARQUE : Le support CPA peut être suspendu à l'aide de quatre tiges filetées d'un diamètre de 9,5 mm (3/8") (non incluses) arrimées à un profilé métallique de calibre 12 de 4,2 cm x 4,2 cm (1-5/8" x 1-5/8") (d'une longueur maximale de 122 cm, non fourni) par des contre-écrous de 9,5 mm (3/8") (non fournis). Les tiges filetées doivent avoir 16 fils par pouce carré.

1. Insérez les tiges dans les quatre trous à boulons prévus dans le support CPA.
2. Arrimez les tiges filetées au support CPA à l'aide des contre-écrous (non fournis) de 9,5 mm (3/8") et des rondelles (un de chaque à l'intérieur et un de chaque à l'extérieur -- non fournis). (Voir la Figure 7)

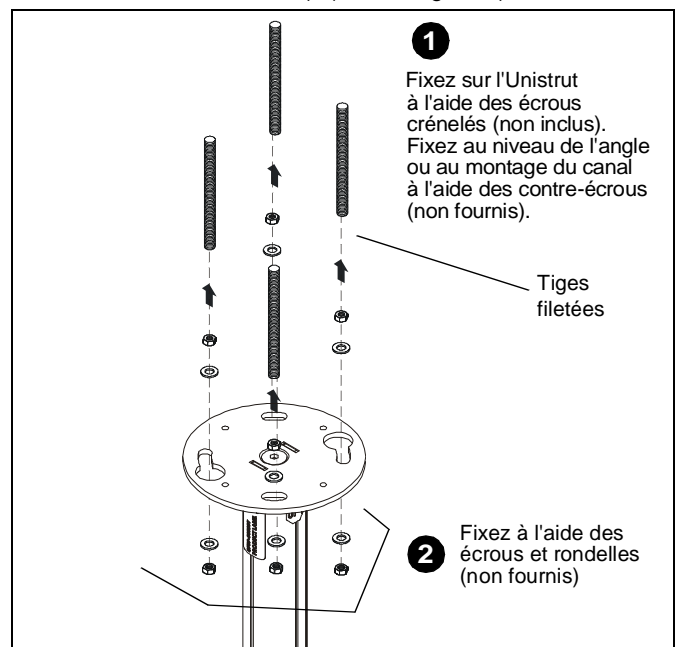


Figure 7

Installation sur un plafond en béton solide



AVERTISSEMENT : Ces supports de série KITEC/KITMC sont conçu pour être monté sur un plafond en béton d'une épaisseur minimale de 203 mm (8") et un revêtement de cloison sèche d'épaisseur maximale de 1,6 cm (5/8").



AVERTISSEMENT : Les dispositifs d'ancrage Fischer UX10 or AF8 (non fournis) doivent être installés dans du béton solide, structurellement homogène. Toute installation dans un bloc de béton creux, du mortier ou du béton présentant des fissures, des effritements ou d'autres défauts peut causer la défaillance des dispositifs d'ancrage et entraîner de graves blessures corporelles ou endommager l'équipement.

1. Utilisez la plaque de fixation au plafond comme modèle, marquez les emplacements des quatre avant-trous sur le plafond.
2. Percez les avant-trous aux emplacements marqués. Si vous utilisez les dispositifs d'encrage UX10, le diamètre de l'avant-trou sera de 9,5 mm (3/8"). Si vous utilisez les dispositifs d'encrage AF8, le diamètre de l'avant-trou sera de 8 mm (5/16").
3. Installez quatre dispositifs d'encrage UX10 ou AF8 dans quatre trous percés. (Voir la Figure 8)
4. Installez librement les deux boulons 8 mm x 7 mm (5/16" x 2 3/4") (non fournis) à travers deux rondelles plates de 8 mm (5/16") (non fournies) dans les dispositifs d'encrage opposés. (Voir la Figure 8)
5. Placez la plaque pour plafond jusqu'au plafond et tournez jusqu'à ce que les boulons fixent la plaque en position. (Voir la Figure 8)

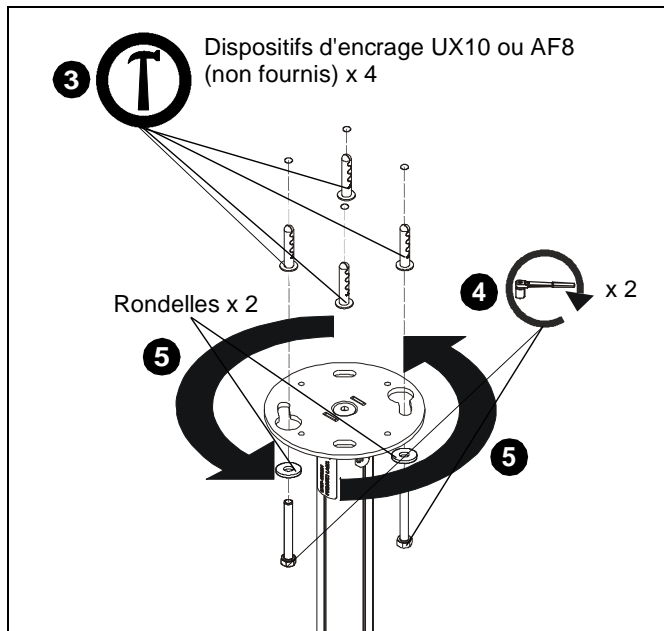


Figure 8

6. Installez les deux boulons 8 mm x 7 mm (5/16" x 2 3/4") (non fournis) à travers deux rondelles plates de 8 mm (5/16") (non fournies) dans des trous situés sur la plaque du plafond (A) et dans le dispositif d'encrage. (Voir la Figure 9)

7. Serrez les quatre boulons pour fixer la plaque au plafond. (Voir la Figure 9)

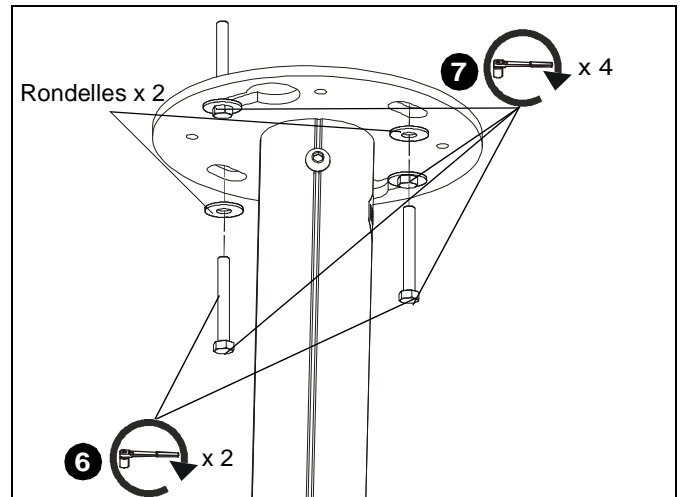


Figure 9

Installation aux carreaux de plafond

1. Déterminez l'emplacement de montage sur le plafond.

REMARQUE : Il n'est pas nécessaire de centrer le trou de montage sur le carreau utilisé pour l'installation.

2. Retirez du plafond le carreau qui doit être utilisé pour l'installation.
3. Faites un trou sur le carreau du plafond à l'aide du gabarit de traçage (Voir la Figure 12) et une scie pour cloison sèche ou à l'aide d'un jeu de scie circulaire pour faire un trou de 88,9 mm (3 1/2") de diamètre. (Voir la Figure 10)

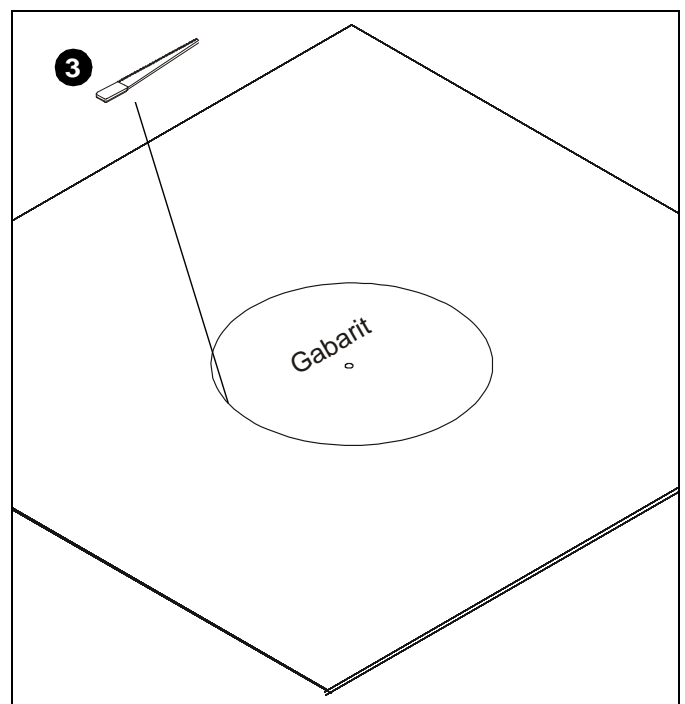


Figure 10

4. Fixez la plaque pour plafond et la colonne d'extension qui y est attachée au plafond en respectant les instructions d'installation de la plaque pour plafond.
5. Placez l'anneau (B) de sorte qu'il s'enroule autour de la colonne d'extension. (Voir la Figure 11)
6. Enroulez l'anneau (B) autour de colonne d'extension. (Voir la Figure 11)
7. Poussez l'anneau (B) dans le trou découpé à l'étape 3 jusqu'à ce que l'anneau s'insère correctement dans le trou. (Voir la Figure 11)
8. Terminez l'installation en respectant les instructions d'installation du support.

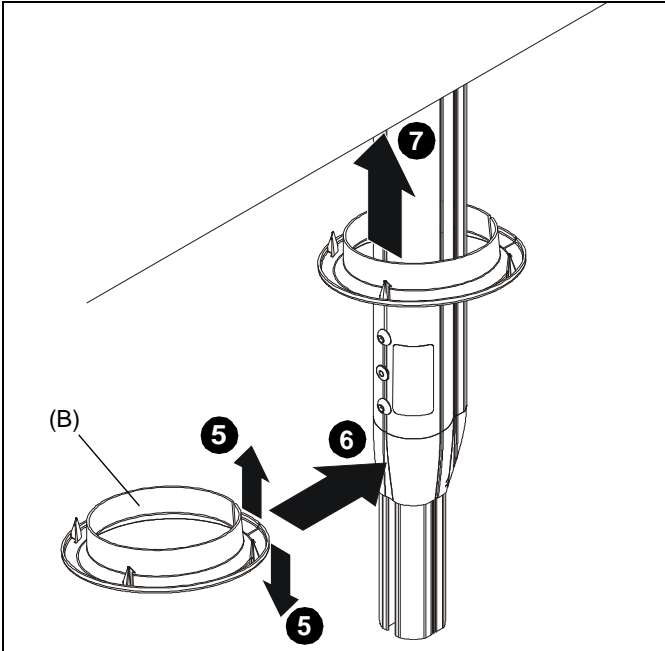


Figure 11

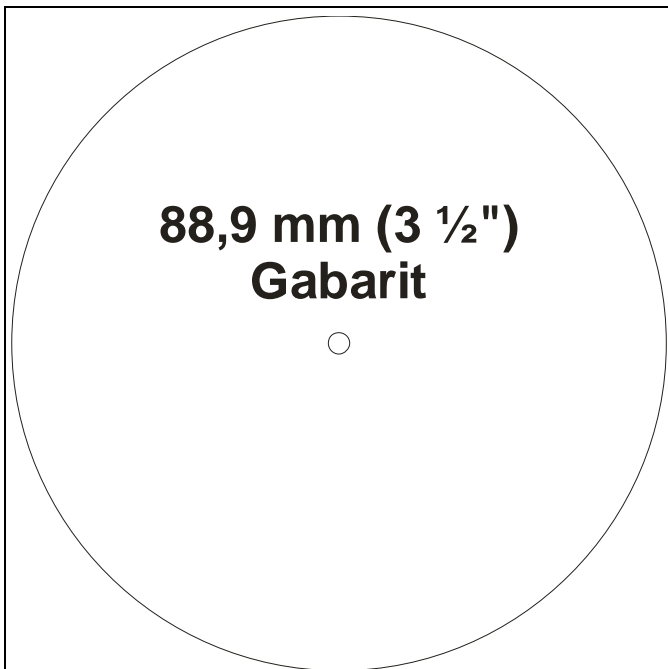


Figure 12

Installation SLMU

Retrait des adaptateurs à vis des pieds SLMU

1. Appuyez fermement sur les boutons de verrouillage situés sur le pied SLMU (K) en poussant simultanément le couvercle enclipsé vers la patte et la vis de fixation des montants coulissants fournis. (Voir la Figure 13)
2. L'adaptateur à vis et l'écrou de réglage de la hauteur fourni seront relâchés. Mettre de côté pour une utilisation ultérieure. (Voir la Figure 13)
3. Répétez les étapes 1-2 pour chaque pied à utiliser lors de l'installation.

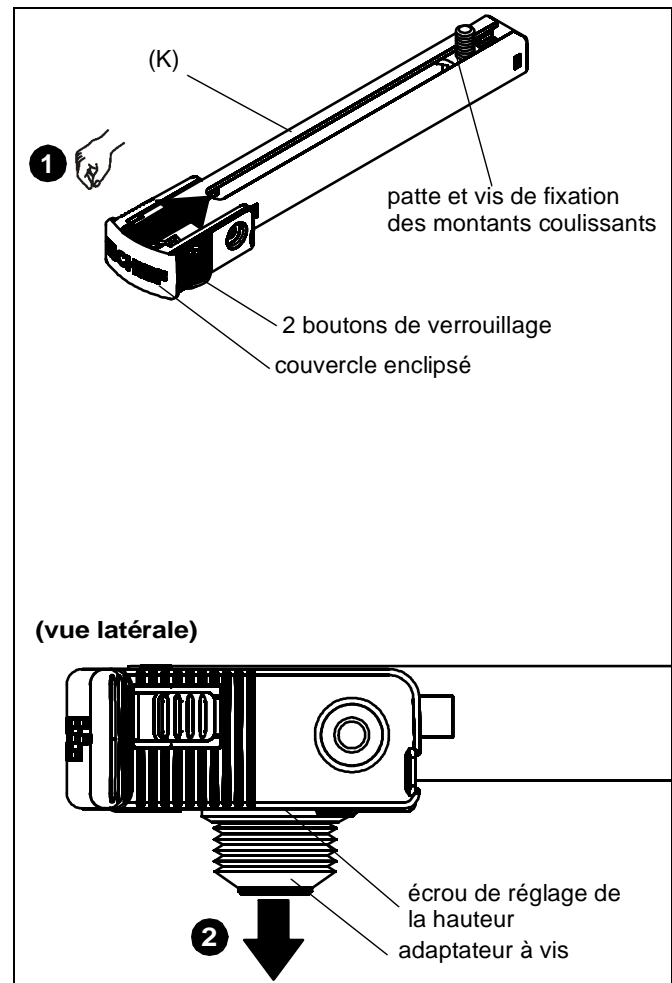


Figure 13

Fixation du projecteur au SLMU



AVERTISSEMENT : Le dépassement de capacité de poids peut causer de graves blessures corporelles ou endommager le matériel ! Il est de la responsabilité de l'installateur de s'assurer que le poids total de tous les composants fixés aux pattes d'interface SLMU ne dépasse pas 22,68 kg (50 lbs).

1. Déterminez la taille de vis correcte à insérer dans le projecteur. Testez les vis Phillips (N, P, Q, R et S) fournies jusqu'à ce que l'une d'entre elles rentre dans les trous du projecteur.
2. Insérez les vis dans les adaptateurs à vis avec les écrous de réglage de la hauteur dans les trous du projecteur. (Voir la Figure 14)

REMARQUE : Utilisez uniquement des rondelles (T) si vous utilisez des vis M ou N pour fixer les adaptateurs à vis au projecteur.

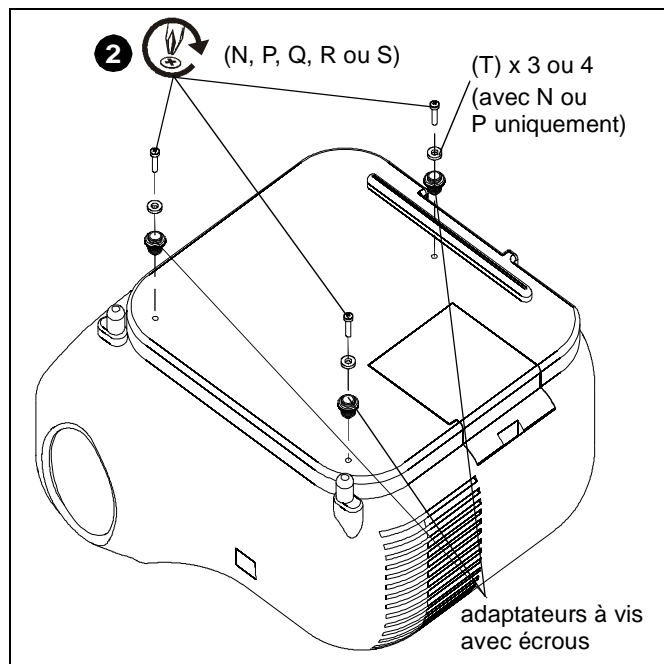


Figure 14

3. Ajustez les écrous de réglage de la hauteur au niveau souhaité. (Voir la Figure 15)

REMARQUE : Les écrous de réglage de la hauteur doivent être ajustés le plus bas possible en faisant en sorte que les pieds passent sous toute surface surélevée du projecteur. Tous les écrous doivent être ajustés au même niveau pour assurer un montage uniforme.

IMPORTANT ! : Le Kit de matériel universel - Vis longues (X, Y, X, AA et BB) en option peut être utilisé en cas d'interférence avec l'une des pièces du projecteur. Une plus grande hauteur est requise pour dégager les surfaces élevées du projecteur.

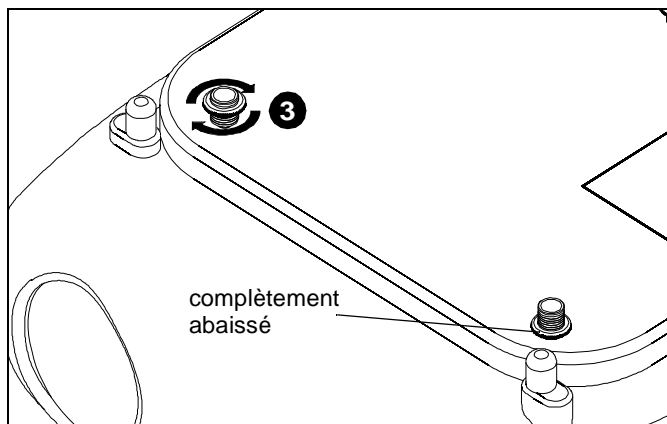


Figure 15

4. Placez les pieds SLMU (K) sur les adaptateurs à vis et les écrous de réglage de la hauteur. (Voir la Figure 16)

REMARQUE : Assurez-vous que les clips de bras de verrouillage sont en position verrouillée.

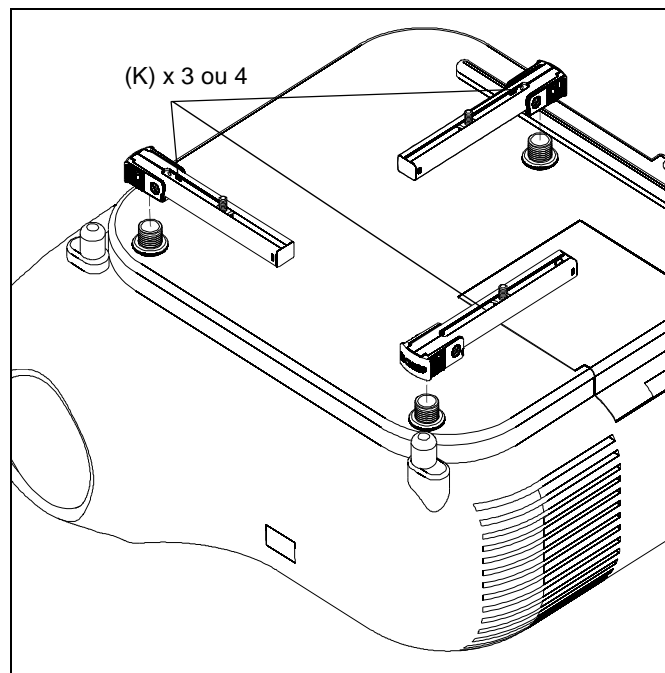


Figure 16

5. Appuyez fermement sur les boutons de verrouillage situés sur le pied du SLMU (K) en repoussant simultanément le couvercle enclipsé de la patte de fixation des montants coulissants fournis, jusqu'à ce que le couvercle enclipsé soit en position verrouillée. (Voir la Figure 17)
6. Répétez l'étape 5 pour les autres pieds.



AVERTISSEMENT : Assurez-vous que les pieds sont verrouillés sur les écrous de réglage de la hauteur avec les clips de verrouillage. Si les pieds ne sont pas verrouillés correctement sur les adaptateurs, le projecteur pourrait tomber du support du SLMU et causer DES BLESSURES GRAVES ou LA MORT !

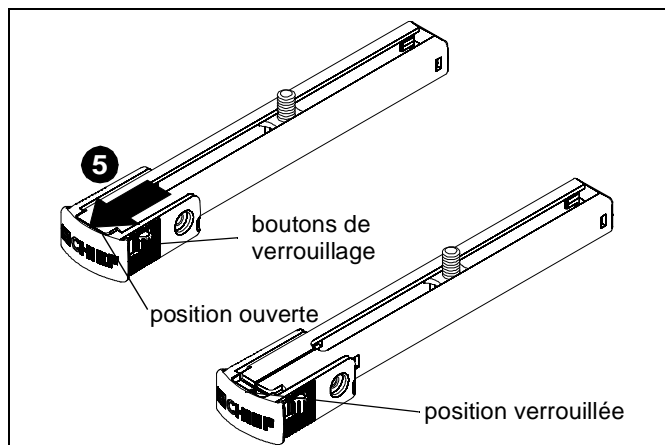


Figure 17

7. Manœuvrez les pieds pour que les pattes et les vis de fixation des montants coulissants se trouvent vers le milieu du projecteur. (Voir la Figure 18) et (Voir la Figure 19)
8. Positionnez les pattes et les vis de fixation des montants coulissants de manière à permettre un montage uniforme de la plaque principale SLMU (J) aux pieds. (Voir la Figure 18) et (Voir la Figure 19)
9. Utilisez une clé hexagonale de 1/4" (V) pour fixer les écrous Allen (U) aux vis sur les montants de fixation coulissants. (Voir la Figure 18) et (Voir la Figure 19)

REMARQUE : Les exemples suivants vous indiquent deux scénarios possibles parmi d'autres en se basant sur les exemples caractéristiques des configurations de trous de fixation. Les points de raccordement spécifiques peuvent varier en fonction de la configuration des trous. Plusieurs scénarios peuvent être utilisés pour chaque configuration de trous spécifique, tant que le poids du projecteur est centré et équilibré après le montage.

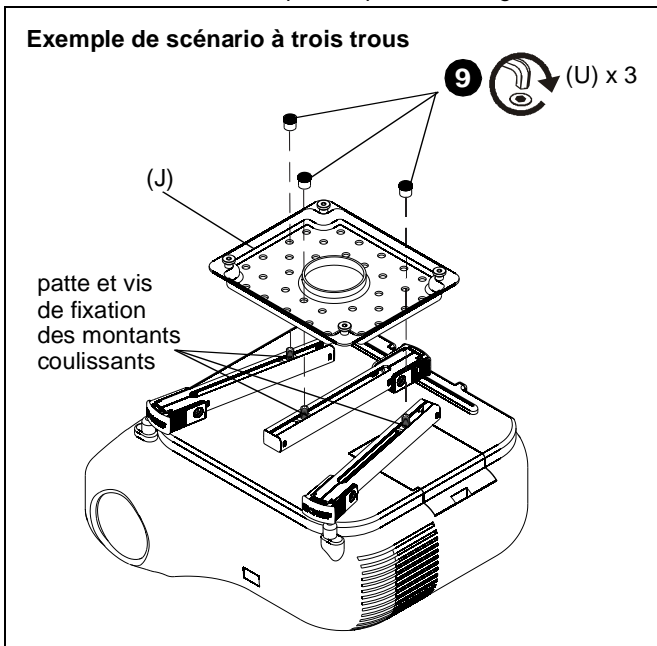


Figure 18

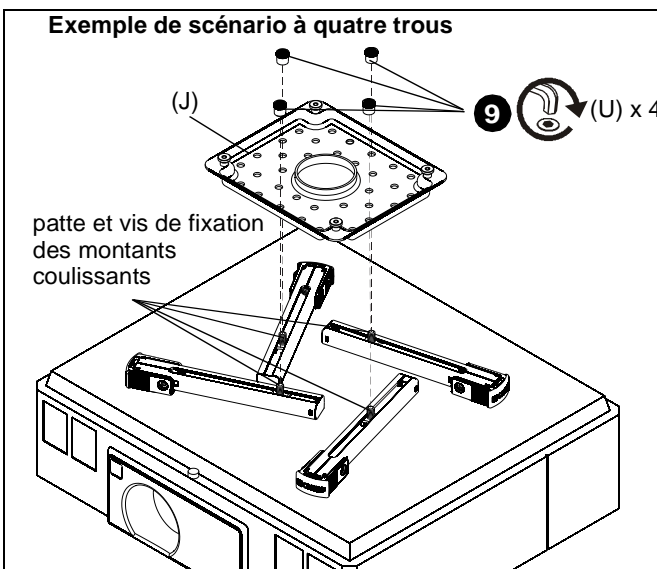


Figure 19

Installez le projecteur avec la patte de fixation d'interface



AVERTISSEMENT : UNE INSTALLATION INCORRECTE PEUT PROVOQUER LA CHUTE DU PROJECTEUR ET CAUSER DE GRAVES BLESSURES CORPORELLES OU ENDOMMAGER L'ÉQUIPEMENT. NE substituez PAS le matériel, mais utilisez uniquement celui fourni par le fabricant.

1. Orientez le projecteur avec la patte de fixation d'interface. (Voir la Figure 20)
2. Soulevez le projecteur de façon à aligner les vis avec écrous à ailettes sur les fentes de montage dans la base du système de montage. (Voir la Figure 20)
3. Faites glisser le projecteur avec la patte de fixation d'interface sur les fentes de montage dans la base du système de montage jusqu'à ce que les vis se bloquent à l'arrière des fentes de montage. (Voir la Figure 20)

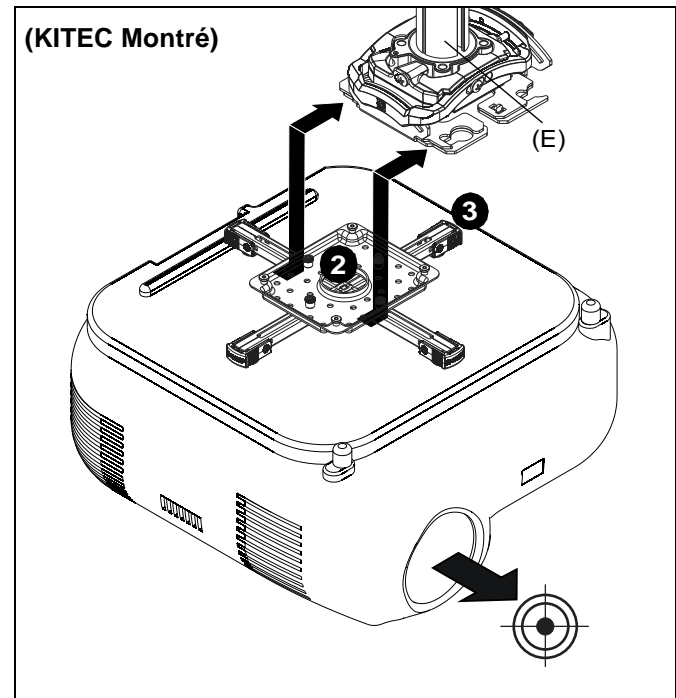


Figure 20



AVERTISSEMENT : UNE INSTALLATION INCORRECTE PEUT PROVOQUER LA CHUTE DU PROJECTEUR ET CAUSER DE GRAVES BLESSURES CORPORELLES OU ENDOMMAGER L'ÉQUIPEMENT. Assurez-vous que les fentes de montage dans la base du système de montage glissent sous les vis de serrage et que les vis se bloquent à l'arrière des fentes.

4. Vérifiez le bon positionnement des vis de montage dans les fentes de montage de la base du système de montage.
5. Mettez le levier de verrouillage en position « verrouillé ». (Voir la Figure 21)
6. Insérez la clé dans la serrure et faites-la tourner pour fixer le projecteur sur le système de montage.

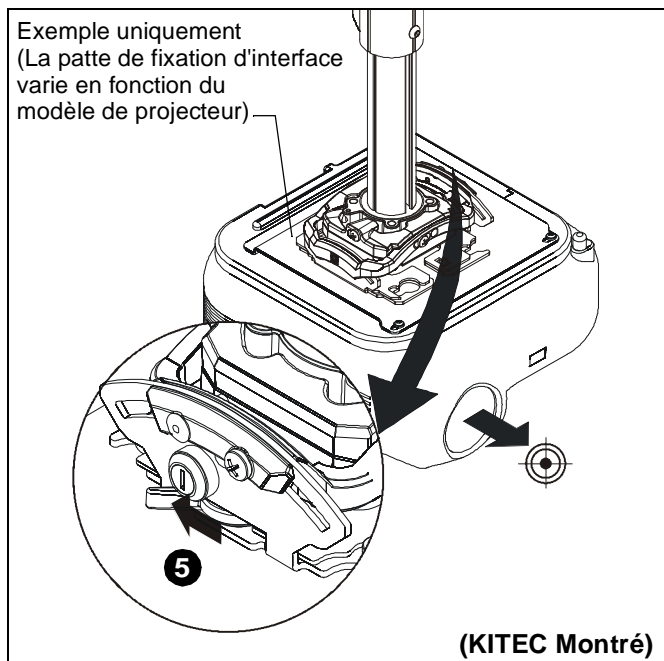


Figure 21

Installation du couvercle de la plaque pour plafond

1. Placez le couvercle de la plaque pour plafond (A) de sorte qu'il soit possible de l'enrouler autour de la colonne d'extension. (Voir la Figure 22)
2. Enroulez le couvercle de la plaque pour plafond (A) autour de la colonne d'extension. (Voir la Figure 22)
3. Utilisez les vis à tête ronde (D) de M6 x 6 mm pour fixer le couvercle de la plaque pour plafond (A) à la plaque du CPA116. (Voir la Figure 22)

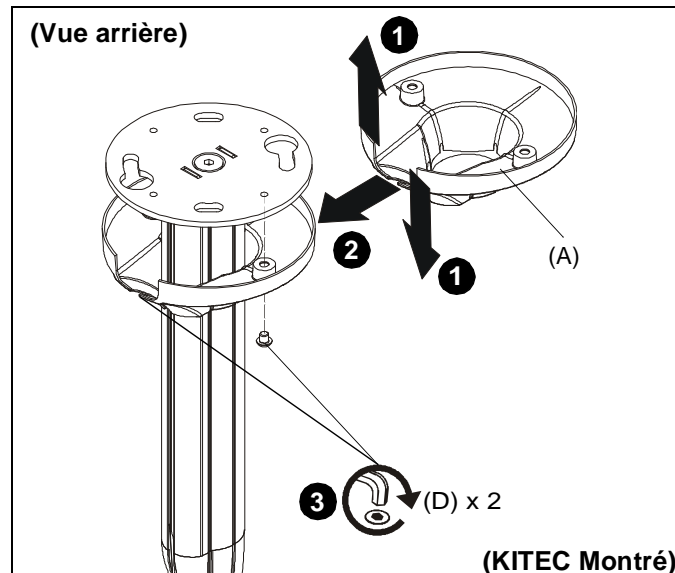


Figure 22

RÉGLAGES

Réglage du lacet

1. Desserrez la vis de blocage du réglage du lacet à l'aide d'un tournevis Phillips 2. (Voir la Figure 23)
2. Tournez la vis de réglage micrométrique du lacet vers la droite ou la gauche à l'aide d'un tournevis Phillips 2 jusqu'à ce que l'image soit correctement alignée sur la cible. (Voir la Figure 23)
3. Resserrez la vis de blocage du réglage du lacet à l'aide d'un tournevis Phillips 2. (Voir la Figure 23)

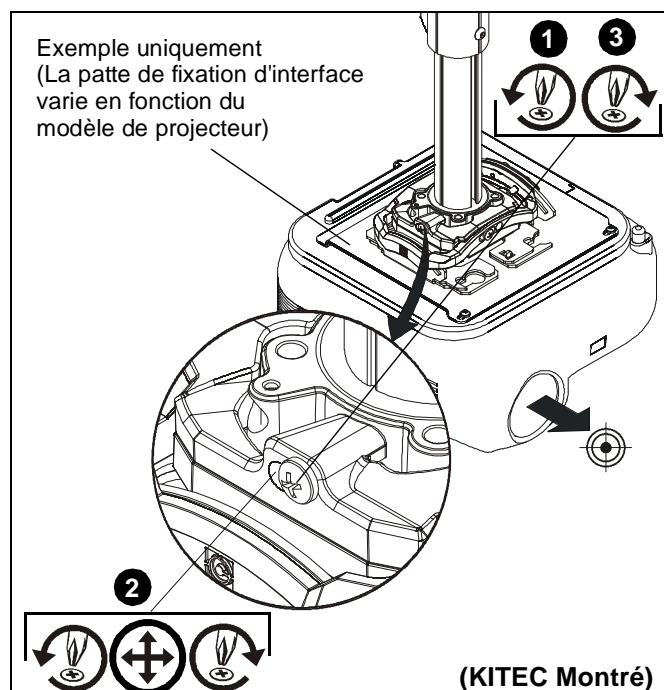


Figure 23

Réglage de l'inclinaison

1. Desserrez la vis de blocage du réglage de l'inclinaison à l'aide d'un tournevis Phillips 2. (Voir la Figure 24)
2. Tournez la vis de réglage micrométrique de l'inclinaison vers la droite ou la gauche à l'aide d'un tournevis Phillips 2 jusqu'à ce que l'image soit correctement alignée sur la cible. (Voir la Figure 24)
3. Resserrez la vis de blocage du réglage de l'inclinaison à l'aide d'un tournevis Phillips 2. (Voir la Figure 24)

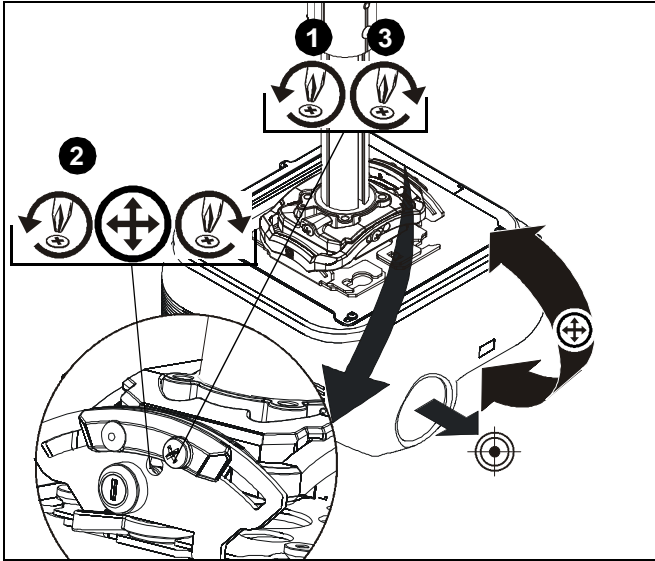


Figure 24

Réglage de l'ondulation

1. Desserrez la vis de blocage du réglage de l'ondulation à l'aide d'un tournevis Phillips 2. (Voir la Figure 25)
2. Tournez la vis de réglage micrométrique de l'ondulation vers la droite ou la gauche à l'aide d'un tournevis Phillips 2 jusqu'à ce que l'image soit correctement alignée sur la cible. (Voir la Figure 25)
3. Resserrez la vis de blocage du réglage de l'ondulation à l'aide d'un tournevis Phillips 2. (Voir la Figure 25)

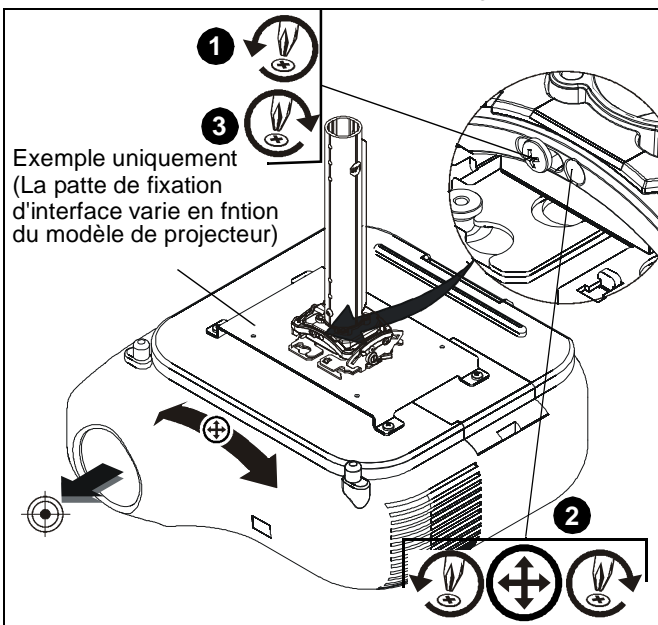


Figure 25

Réglage de la hauteur



AVERTISSEMENT : Le fait de ne pas fournir un soutien adéquat pour ce système de montage pendant le processus de réglage de la hauteur peut entraîner de graves blessures ou endommager l'équipement ! Il est de la responsabilité de l'installateur de s'assurer que le projecteur est retiré du système de montage avant d'en régler la hauteur et que le poids du système de montage est supporté pendant le réglage de la hauteur ! Retirez le projecteur du système de montage avant d'en régler la hauteur !

1. Retirez le projecteur du système de montage.
2. Desserrez la vis de réglage de la hauteur. (Voir la Figure 26)
3. Tout en supportant le poids du système de montage pour projecteur, réglez-le à la hauteur voulue. (Voir la Figure 26)
4. Resserrez la vis de réglage de la hauteur. (Voir la Figure 26)
5. Réinstallez le projecteur sur le système de montage.

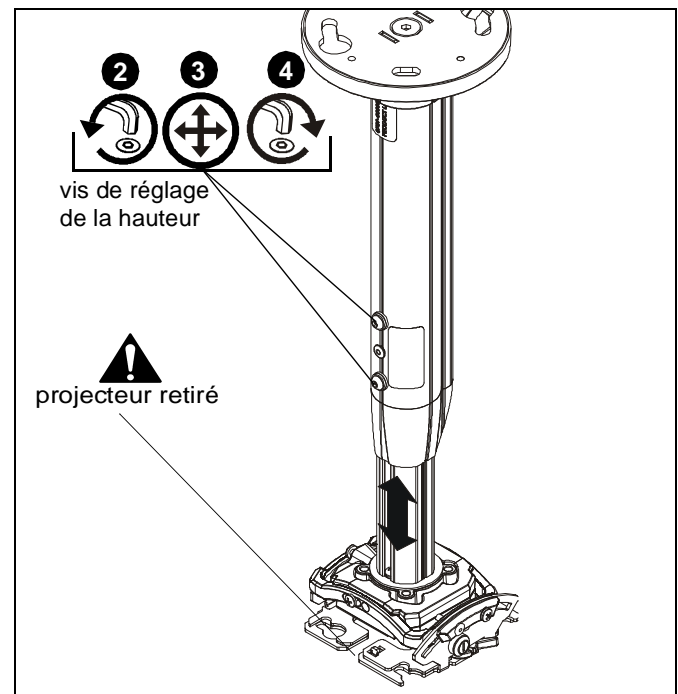


Figure 26

Rangement des câbles

NOTE: Pour une installation de plus de trois câbles à travers le cache-câble, le revêtement transitoire peut ne pas être correctement adapté aux câbles au niveau du point de transition. Suivez l'étape 1 pour résoudre ce problème.

1. **(En option)** Utilisez un couteau tout usage pour couper une section du cache-câble inférieur pour créer un plus grand espace afin de permettre aux câbles de passer dans le cache-câble supérieur. (Voir la Figure 27)

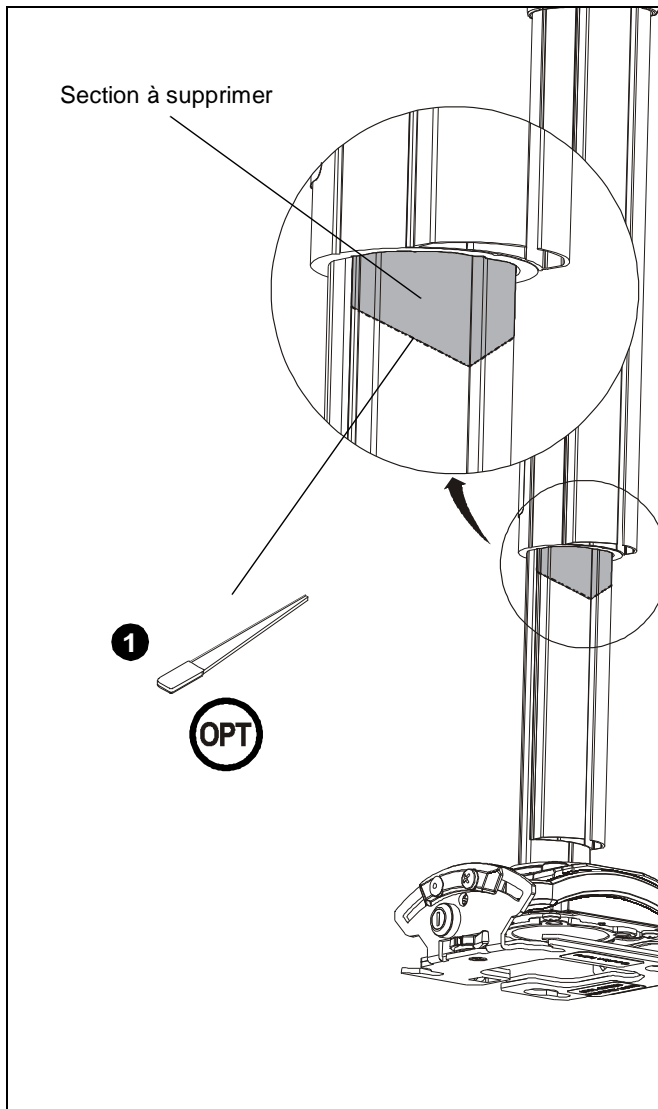


Figure 27

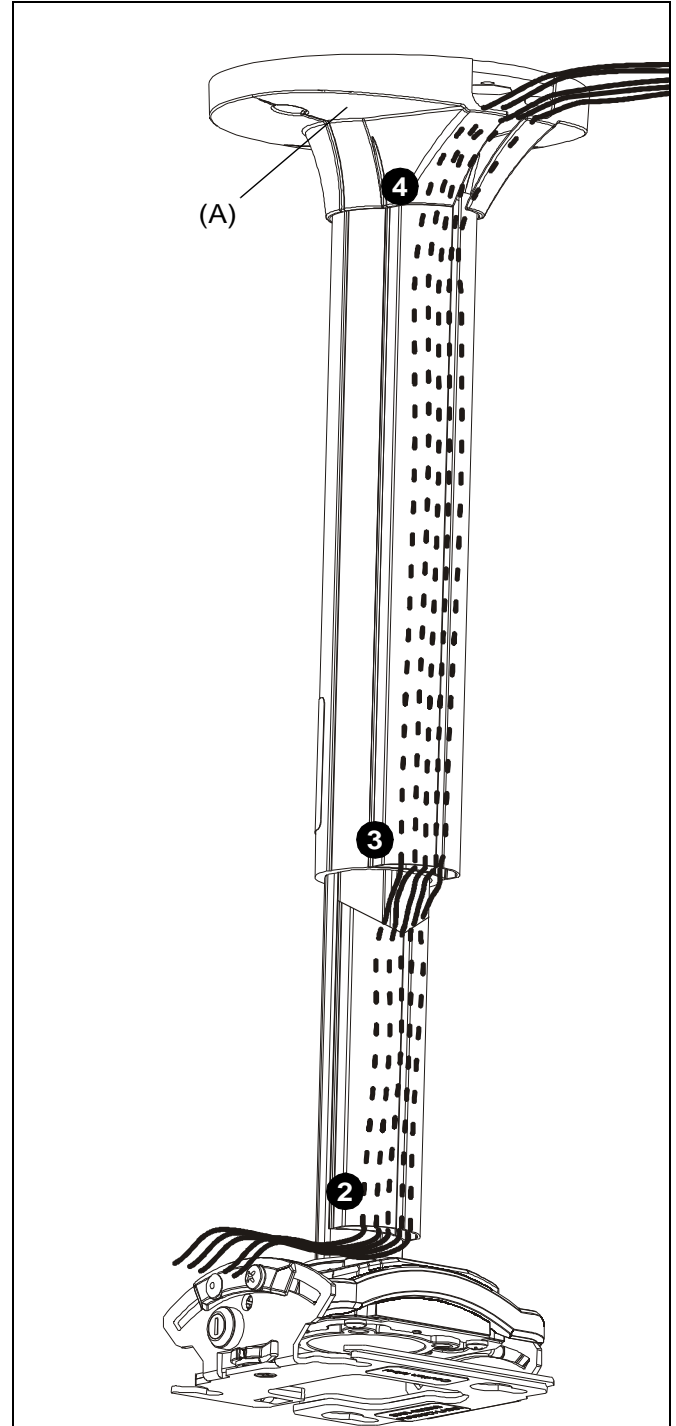


Figure 28

2. Faites passer les câbles à travers le cache-câble inférieur. (Voir la Figure 28)
3. Faites passer les câbles à travers le cache-câble supérieur. (Voir la Figure 28)
4. Faites passer les câbles à travers le couvercle de la plaque de fixation au plafond (A). (Voir la Figure 28)

Installation du revêtement transitoire

1. Placez le revêtement transitoire (C) afin qu'il soit en mesure de s'enrouler autour de la pièce inférieure de la colonne d'extension. (Voir la Figure 29)
2. Enroulez le revêtement transitoire (C) autour de la partie inférieure de la colonne d'extension. (Voir la Figure 29)
3. Poussez le revêtement transitoire (C) dans la base de la partie supérieure de la colonne d'extension jusqu'à ce que le revêtement transitoire s'enclenche. (Voir la Figure 29)

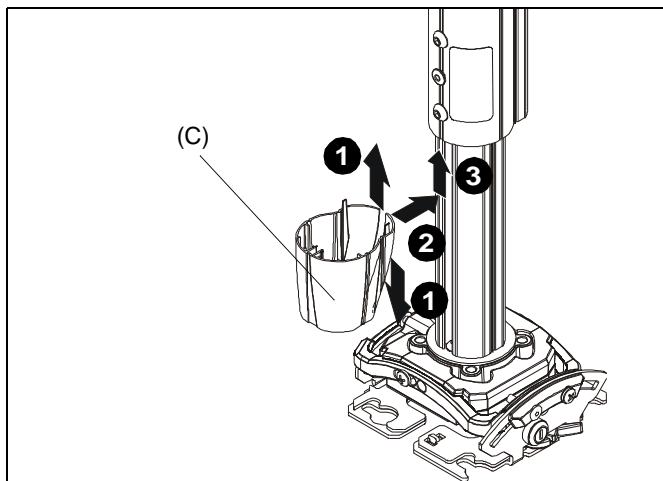


Figure 29

HAFTUNGSAUSSCHLUSS

Milestone AV Technologies sowie seine konzerneigenen Unternehmen und Tochtergesellschaften (zusammen "Milestone") haben versucht, dieses Handbuch so genau und vollständig als möglich zu gestalten. Milestone erhebt jedoch weder Anspruch auf Vollständigkeit der Einzelheiten, Bedingungen und Änderungen der hierin enthaltenen Informationen, noch übernimmt das Unternehmen irgendeine Haftung für eventuelle Schadensfälle in Verbindung mit der Installation oder Verwendung dieses Produkts. Die in diesem Dokument enthaltenen Informationen können ohne vorherige Ankündigung oder sonstige Verpflichtungen jederzeit geändert werden. Milestone schließt jegliche ausdrückliche oder stillschweigende Zusicherung und Gewährleistung bezüglich der hierin enthaltenen Informationen aus. Milestone übernimmt keinerlei Verantwortung für die Genauigkeit, Vollständigkeit oder Angemessenheit der in diesem Dokument enthaltenen Informationen.

Chief® ist eine eingetragene Marke von Milestone AV Technologies. Alle Rechte vorbehalten.



WICHTIGE SICHERHEITSHINWEISE



WARNUNG: WARNUNG weist darauf hin, dass bei Nichtbefolgung der Anweisungen Verletzungs- oder Lebensgefahr besteht.



VORSICHT: VORSICHT weist darauf hin, dass bei Nichtbefolgung der Anweisungen die Möglichkeit von Geräteschäden besteht.



WARNUNG: Die Nichtbefolgung dieser Anweisungen kann zu schweren Verletzungen und Geräteschäden sowie zum Erlöschen der Garantie führen. Der Monteur hat dafür zu sorgen, dass alle Bauelemente nach den beiliegenden Anweisungen montiert und installiert werden.



WARNUNG: Wenn dieses Bauelement nicht an einer Konstruktion mit der erforderlichen Tragfähigkeit montiert wird, kann dies zu schweren Verletzungen oder Geräteschäden führen! Der Monteur hat dafür zu sorgen, dass die Konstruktion, an der das Bauelement angebracht wird, über die erforderliche Tragfähigkeit verfügt. Die Konstruktion muss das fünffache Gesamtgewicht des Geräts tragen können. Verstärken Sie vor der Montage des Bauelements ggf. die Konstruktion.



WARNUNG: Das Überschreiten der maximalen Tragkraft kann zu schweren Verletzungen oder Geräteschäden führen! Der Monteur ist dafür verantwortlich, sicherzustellen, dass das Gesamtgewicht aller Komponenten zwischen der KITEC-KITMC-Serien-Halterung und dem Projektor 11,34 kg (25 lbs) nicht überschreitet. Der Monteur ist dafür verantwortlich, sicherzustellen, dass das Gesamtgewicht aller Komponenten zwischen der KITEC-KITMC-Serien-Halterung und dem Projektor 22,68 kg (50 lbs) nicht überschreitet.

- Die maximale Tragkraft der KITE-KITMC Serien-Halterung ist auf die maximale Tragkraft des zwischen der Halterung und der tragenden Konstruktion verwendeten sonstigen Bauelements mit der jeweils niedrigsten Tragkraft BESCHRÄNKT!



WARNUNG: Verwenden Sie das Halterungssystem nur für den vorgesehenen, in der Anleitung beschriebenen Zweck. Verwenden Sie keine Zubehörteile, die nicht vom Hersteller empfohlen wurden.



WARNUNG: Verwenden Sie das Halterungssystem nie in beschädigtem Zustand. Bringen Sie das Halterungssystem in diesem Fall für die Fehlersuche und Reparatur zu einem Service-Center.



WARNUNG: Verwenden Sie das Produkt nie im Freien.

--BEWAHREN SIE DIESE ANWEISUNGEN AUF--

ABMESSUNGEN

KITEC

Top view dimensions: 2,95 [75,0] (width), 2,95 [75,0] (height), $\varnothing 4,18$ [106,1] (hole diameter), 0,41 [10,3] (offset).

Labels: KABELFÜHRUNG, PUNKT ZUR HÖHENEINSTELLUNG, PUNKT ZUR EINSTELLUNG DER DREHUNG UM DIE HÖHENACHSE $\pm 10^\circ$, PUNKT ZUR EINSTELLUNG DES QUERNEIGUNGSWINKELS $\pm 4^\circ$, PUNKT ZUR EINSTELLUNG DER DREHUNG UM DIE QUERACHSE $\pm 15^\circ$.

Bottom view dimension: 1,82 [46,3].

HINWEISE:

1. KITEXXXXXX-SÄULEN SIND IN VERSCHIEDENEN VERSTELLBAREN LÄNGEN ERHÄLTICH.
2. DIE ARTIKELNUMMER WEIST AUF DIE LÄNGE HIN.
3. DIE STANDARDFARBE IST SCHWARZ. EIN 'B' ODER 'W' AM ENDE DER ARTIKELNUMMER BEDEUTET SCHWARZ BZW. WEISS.

BEISPIELE: KITE030045B = VOLLSTÄNDIG ZUSAMMENGESCHOBEN:
 30 CM (MINIMUM)
 VOLLSTÄNDIG AUSGEZOGEN:
 45 CM (MAXIMUM),
 FARBE: SCHWARZ

KITE080150W = VOLLSTÄNDIG ZUSAMMENGESCHOBEN:
 80 CM (MINIMUM)
 VOLLSTÄNDIG AUSGEZOGEN:
 150 CM (MAXIMUM),
 FARBE: WEISS

KITMC

Top view dimensions: 2,95 [75,0] (width), 2,95 [75,0] (height), $\varnothing 4,18$ [106,1] (hole diameter), 0,41 [10,3] (offset).

Labels: KABELFÜHRUNG, PUNKT ZUR HÖHENEINSTELLUNG, PUNKT ZUR EINSTELLUNG DER DREHUNG UM DIE HÖHENACHSE $\pm 20^\circ$, PUNKT ZUR EINSTELLUNG DES QUERNEIGUNGSWINKELS $\pm 3^\circ$, PUNKT ZUR EINSTELLUNG DER DREHUNG UM DIE QUERACHSE $\pm 20^\circ$.

Bottom view dimension: 2,79 [70,8].

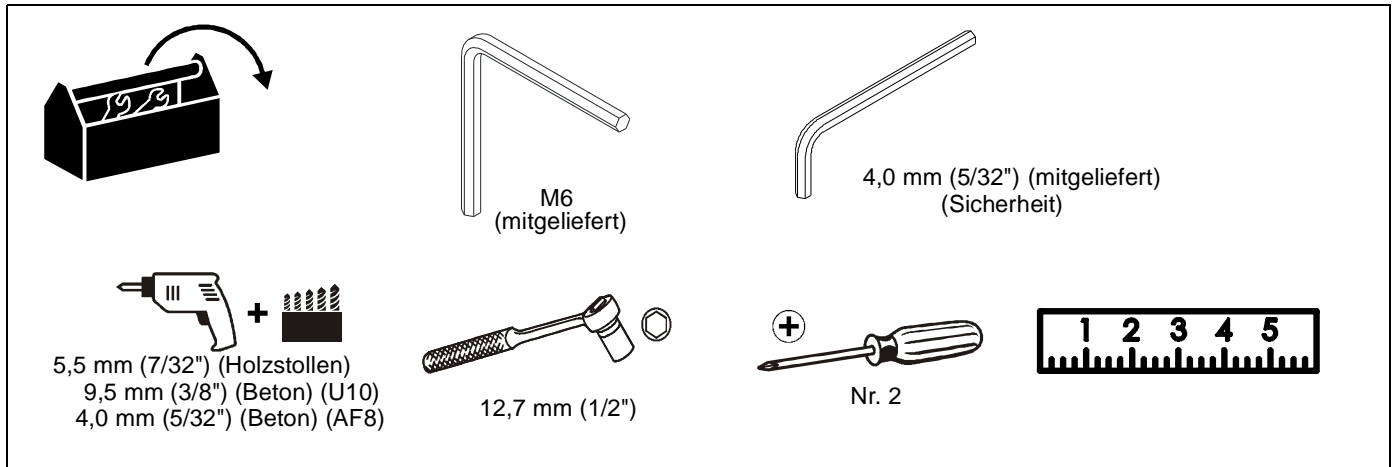
HINWEISE:

1. KITMCXXXXX-SÄULEN SIND IN VERSCHIEDENEN VERSTELLBAREN LÄNGEN ERHÄLTICH.
2. DIE ARTIKELNUMMER WEIST AUF DIE LÄNGE HIN.
3. DIE STANDARDFARBE IST SCHWARZ. EIN 'B' ODER 'W' AM ENDE DER ARTIKELNUMMER BEDEUTET SCHWARZ BZW. WEISS.

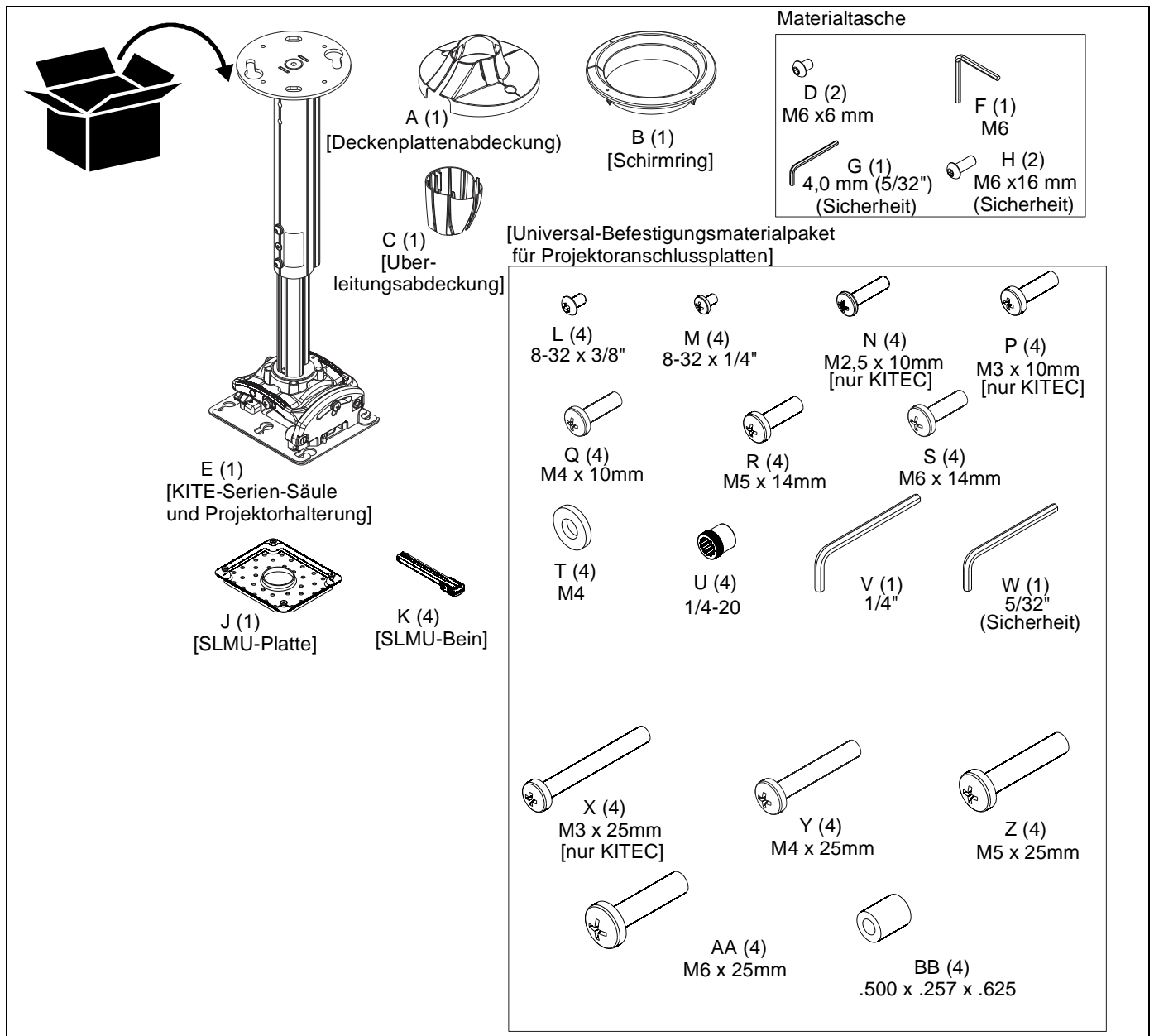
BEISPIELE: KITE030045B = VOLLSTÄNDIG ZUSAMMENGESCHOBEN:
 30 CM (MINIMUM)
 VOLLSTÄNDIG AUSGEZOGEN:
 45 CM (MAXIMUM),
 FARBE: SCHWARZ

KITE080150W = VOLLSTÄNDIG ZUSAMMENGESCHOBEN:
 80 CM (MINIMUM)
 VOLLSTÄNDIG AUSGEZOGEN:
 150 CM (MAXIMUM),
 FARBE: WEISS

FÜR DIE MONTAGE ERFORDERLICHES WERKZEUG



TEILE



Montage und Installation

Montage der Sicherheitsschraube (Optional)

HINWEIS: Das Ersetzen der Standard-Halbrundkopfschrauben durch die Sicherheitsschrauben (H) ist optional und hängt von den Präferenzen des Benutzers ab. Wenn Sie die Sicherheitsschrauben nicht montieren wollen, gehen Sie weiter zum Abschnitt „Befestigung an der Decke“.

1. Lösen Sie die Schraube auf der KITEC-KITMC Serien-Halterung (E), indem Sie die Schraube 1-2 mal komplett herumdrehen. (siehe Abb. 1)

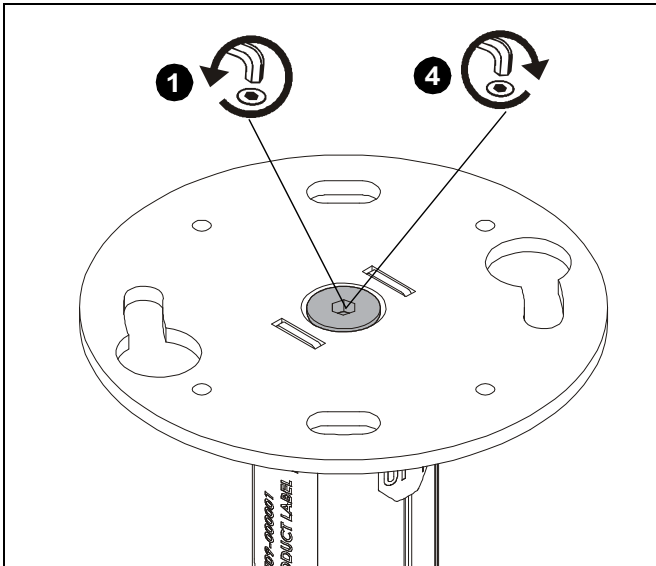


Abb. 1

2. Entfernen Sie zwei Halbrundkopfschrauben, zwei Sicherungsscheiben und zwei flache Unterlegscheibe, die die Säule der KITEC-KITMC-Serien-Halterung (E) an der Adapterplatte fixieren. (siehe Abb. 2)

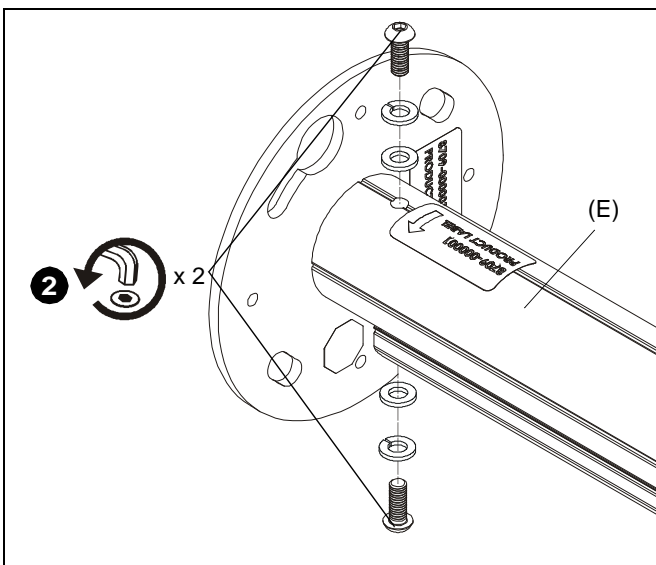


Abb. 2

3. Verwenden Sie zwei M6 x 16-mm (5/8")-Sicherheitsschrauben (H) und die in Schritt 2 entfernten Unterlegscheiben, um die Säule der KITEC-KITMC Serien-Halterung an der Adapterplatte zu fixieren. (siehe Abb. 3)

WICHTIG! Die Unterlegscheiben müssen in der gleichen Reihenfolge wieder eingesetzt werden, wobei die Sicherungsscheiben am nächsten an den Schraubenköpfen liegen. (siehe Abb. 3)

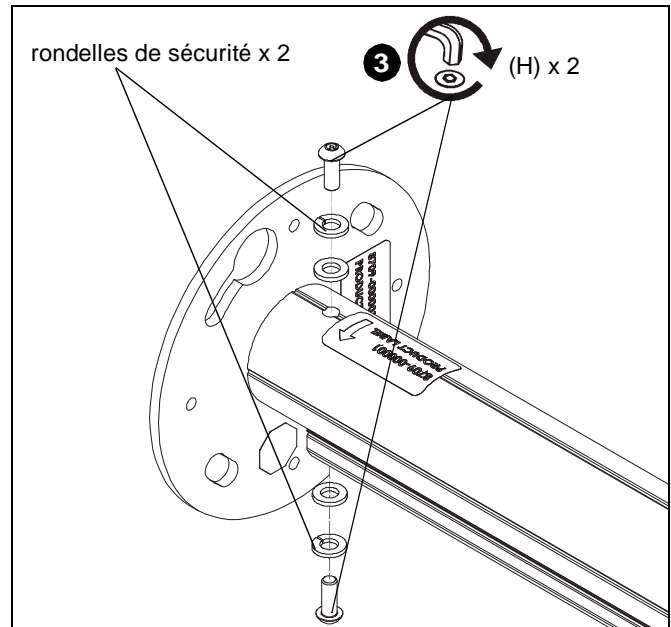


Abb. 3

4. Ziehen Sie die Schraube auf der KITEC-KITMC Serien-Halterung (E) fest. (siehe Abb. 1)

Befestigung an Decke

Der KITEC-KITMC Serien-Halterung eignen sich zur Anbringung an einer Decke mit einem doppelten 5 cm x 10 cm (2" x 4") Holzrahmen, einer Betondecke oder einer 3/8" Metallrahmendecke.



WARNUNG: Bringen Sie sie NICHT an vertikalen Befestigungsflächen wie z. B. Wänden oder schrägen Decken an!



WARNUNG: UNSACHGEMÄSSE INSTALLATION KANN ZUM HERUNTERFALLEN DER VORRICHTUNG FÜHREN UND SCHWERE PERSONENSCHÄDEN BZW. SCHÄDEN AM GERÄT VERURSACHEN! Der Monteur muss sicherstellen, dass die Konstruktion, an der die Halterung befestigt wird, das Fünffache des Gewichts der CPA-Halterung und aller daran angebrachten Geräte tragen kann. Verstärken Sie vor der Montage der Halterung ggf. die Konstruktion.

HINWEIS: Die folgenden Anweisungen setzen voraus, dass vor der Installation eine geeignete Struktur und Oberfläche zur Befestigung existiert.

HINWEIS: Wenn die Montage an einer Decke mit Deckenplatten erfolgt, gehen Sie zum Abschnitt „Montage an Deckenplatte“, bevor Sie mit der Montage an der Deckenstruktur beginnen.

Montage an einem Holzrahmen (Deckenträger)

WICHTIG!: Der KITEC-KITMC-Serien-Halterung eignet sich für die Montage an einer doppelten Querverstrebung aus 5 cm x 10 cm (2" x 4")-Holzbalken (12,7 cm (5") im Zentrum) zwischen zwei Deckenbalken mit einer Gipskartonbeschichtung von maximal 1,6 cm (5/8").

1. Benutzen Sie die Deckenplatte als Vorlage, um Positionen für vier Vorbohrungen (Siehe Abb. 4) zu markieren. Stellen Sie sicher, dass sich die Markierungen in der Mitte der Holzträger befinden.

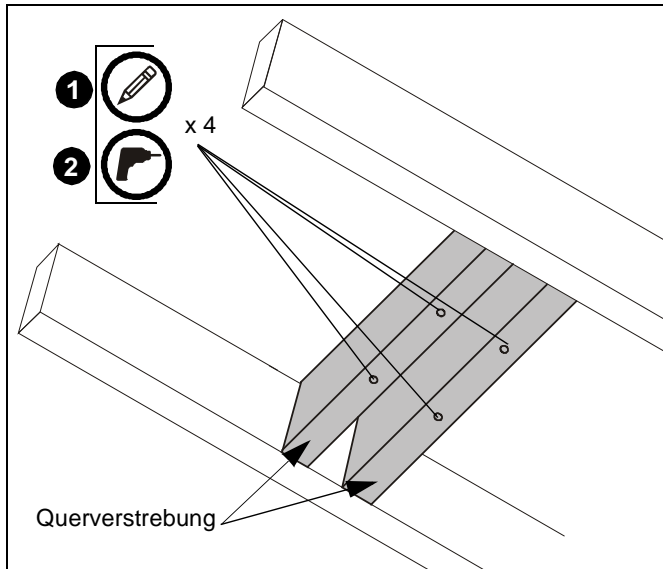


Abb. 4

2. Bohren Sie Vorbohrungen mit einem Durchmesser von 5,6 mm (7/32") in die Holzbalken-Querverstrebung. (Siehe Abb. 4) Stellen Sie sicher, dass die Vorbohrungen gerade sind.
3. Setzen Sie durch zwei 7,9 mm (5/16")-Unterlegscheiben (nicht mitgeliefert) lose zwei (mindestens) 7,9 mm x 12,7–19 mm (5/16" x 2–3/4")-Ankerschrauben (nicht mitgeliefert) in entgegengesetzten Ecken der in die Holzbalken-Querverstrebung gebohrten Löcher ein. (Siehe Abb. 5)
4. Platzieren Sie die Deckenplatte an der Decke und schrauben Sie, bis die Ankerschrauben die Platte in Position halten. (Siehe Abb. 5)

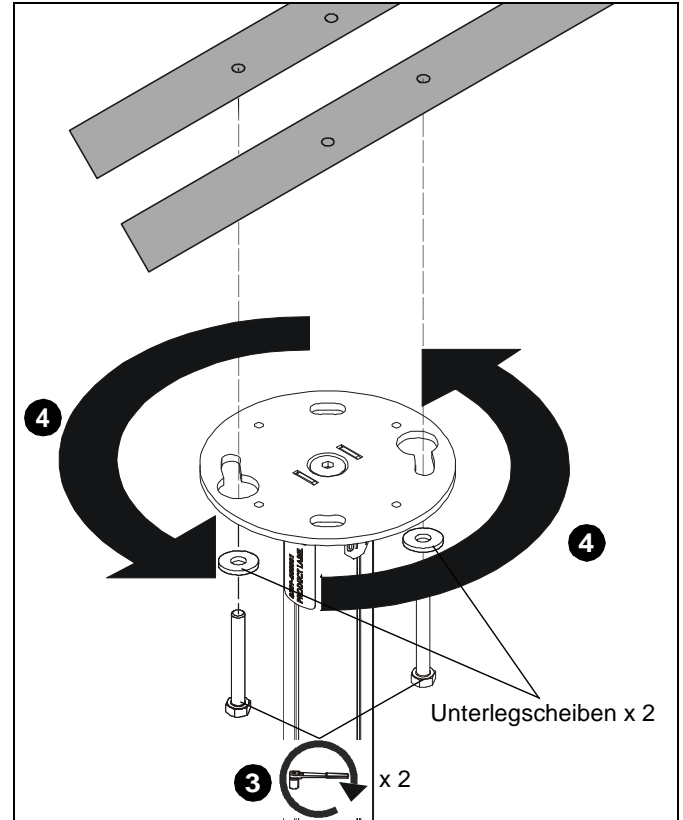


Abb. 5

5. Setzen Sie zwei (mindestens) 7,9 mm x 12,7–19 mm (5/16" x 2–3/4")-Ankerschrauben (nicht mitgeliefert) in die Löcher an der Deckenplatte und in die in die Holzbalken-Querverstrebung gebohrten Löcher ein. (Siehe Abb. 6)
6. Ziehen Sie alle vier Ankerschrauben an, um die Platte an der Decke zu fixieren. (Siehe Abb. 6)

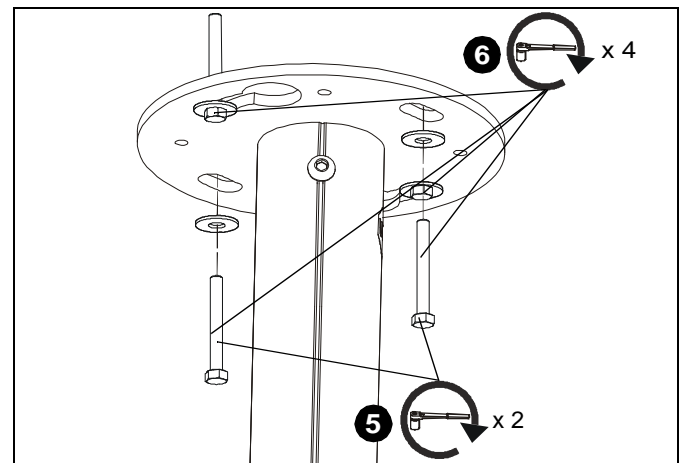


Abb. 6

Montage an einer abgehängten Decke

HINWEIS: Die CPA-Halterung kann an vier Gewindestangen mit einem Durchmesser von 9,5 mm (3/8") (nicht mitgeliefert) aufgehängt werden, die mittels (nicht mitgelieferter) 9,5 mm (3/8")-Kanalmuttern an einer 3,2–16 mm x 3,2–16 mm (1-5/8" x 1-5/8")-12ga-Metallschiene (mit einer Höchstlänge von 1,2 m (4 Fuß) – nicht mitgeliefert) befestigt werden. Die Gewindestangen müssen über 16 Gewindegänge pro Quadratzoll verfügen.

1. Führen Sie die Stäbe in die vier Schraublöcher an der CPA-Halterung ein.
2. Befestigen Sie die Gewindestäbe mit 9,5 mm (3/8")-Kontermuttern (nicht mitgeliefert) und Unterlegscheiben an der CPA-Halterung (jeweils eine innen und eine außen – nicht mitgeliefert). (Siehe Abb. 7)

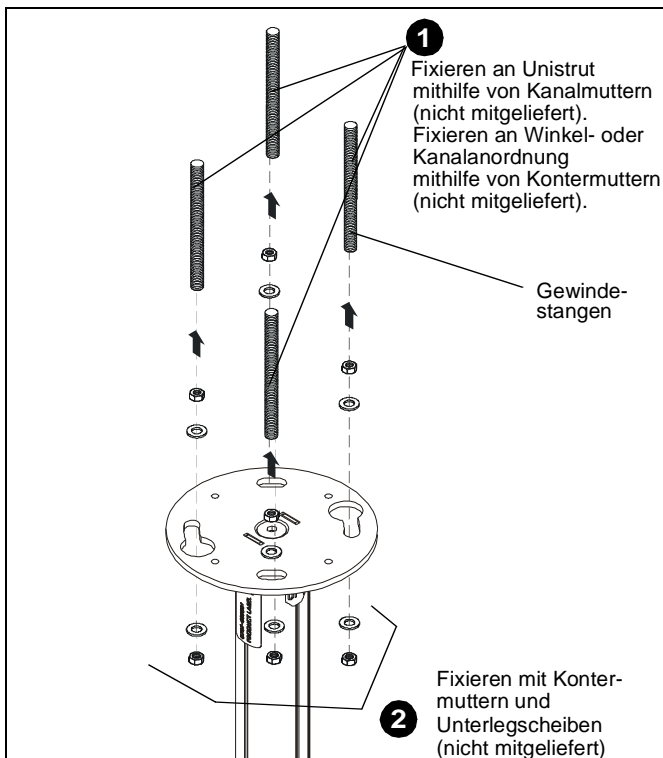


Abb. 7

Montage an einer Massivbetondecke



WARNUNG: Der KITEC-KITMC Serien-Halterung eignen sich zur Montage an einer Betondecke mit einer Mindeststärke von 20,3 cm (8") und einer Gipskartonbeschichtung von maximal 1,6 cm (5/8").



WARNUNG: Fischer UX10- oder AF8-Dübel (nicht mitgeliefert) müssen in baulich intakte Massivbetondecken montiert werden. Die Installation in Hohlblockdecken, Mörtel oder Beton, der Risse, Absplitterungen oder andere Defekte aufweist, kann zu einem Versagen des Dübels und schweren Personen- oder Sachschäden führen.

1. Benutzen Sie die Deckenplatte als Vorlage, um Positionen für vier Vorbohrungen an der Decke zu markieren.
2. Bohren Sie Vorbohrungen an den markierten Positionen. Wenn Sie UX10-Dübel verwenden, beträgt der Vorbohrungsdurchmesser 9,5 mm (3/8"). Wenn Sie AF8-Dübel verwenden, beträgt der Vorbohrungsdurchmesser 7,9 mm (5/16").
3. Montieren Sie vier UX10- oder AF8-Dübel in die vier gebohrten Löcher. (Siehe Abb. 8)
4. Montieren Sie zwei 7,9 mm x 69,9 mm (5/16" x 2 3/4")-Schrauben (nicht mitgeliefert) durch zwei flache 7,9 mm (5/16")-Unterlegscheiben (nicht mitgeliefert) lose in gegenüberliegenden Dübeln. (Siehe Abb. 8)
5. Platzieren Sie die Deckenplatte an der Decke und schrauben Sie, bis die Schrauben die Platte in Position halten. (Siehe Abb. 8)

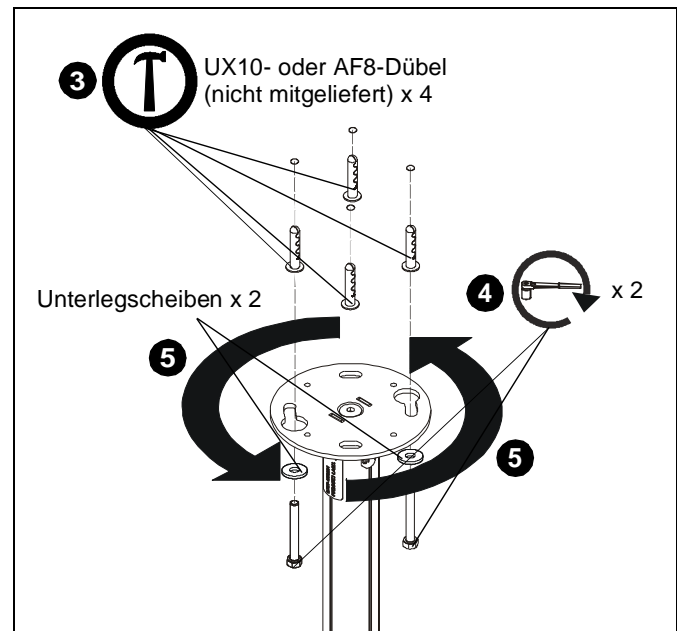


Abb. 8

6. Montieren Sie zwei 7,9 mm x 69,9 mm (5/16" x 2 3/4")-Schrauben (nicht mitgeliefert) durch zwei flache 7,9 mm (5/16")-Unterlegscheiben (nicht mitgeliefert) durch die Löcher auf der Deckenplatte (A) in den Dübeln. (Siehe Abb. 9)
7. Ziehen Sie alle vier Schrauben an, um die Platte an der Decke zu fixieren. (Siehe Abb. 9)

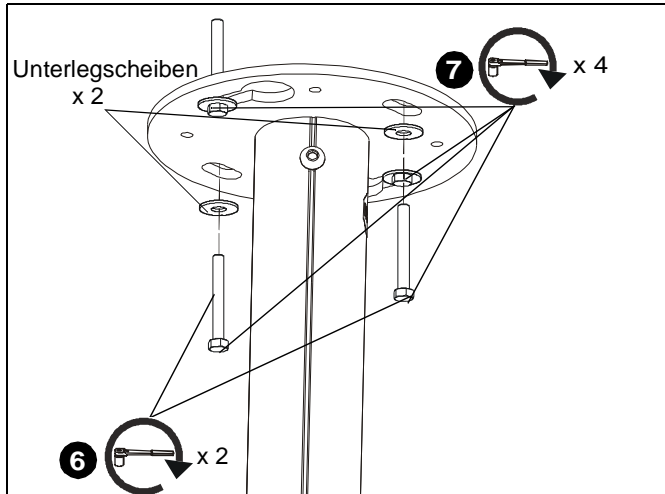


Abb. 9

Montage an Deckenplatte

1. Bestimmen Sie die Montagestelle an der Decke.

HINWEIS: Die Montagebohrung muss auf der für die Montage genutzten Platte nicht mittig ausgerichtet werden.

2. Entfernen Sie die für die Montage genutzte Deckenplatte von der Decke.
3. Schneiden Sie entweder mithilfe der Spurschablone (Siehe Abb. 12) und eines Fuchsschwanzes oder mithilfe eines Kreisschneiders, der darauf eingestellt ist, ein Loch mit einem Durchmesser von 88,9 mm (3 1/2") zu schneiden, ein Loch in die Deckenplatte. (Siehe Abb. 10)

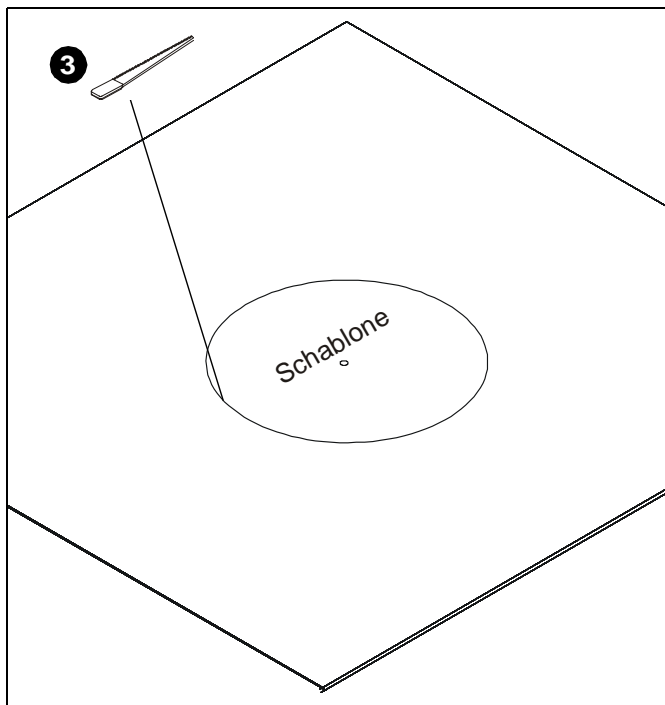


Abb. 10

4. Befestigen Sie gemäß den Anweisungen zur Montage der Deckenplatte diese und die angefügte Ausziehsäule an der Decke.
5. Bewegen Sie den Ring (A) so, dass er die Ausziehsäule umschließt. (Siehe Abb. 11)
6. Hüllen Sie den Ring (A) um die Ausziehsäule. (Siehe Abb. 11)
7. Drücken Sie den Ring (A) in das Loch, das in Schritt 3 gefertigt wurde, bis er sicher in das Loch passt. (Siehe Abb. 11)
8. Schließen Sie die Montage gemäß den Anweisungen zur Montage der Halterung ab.

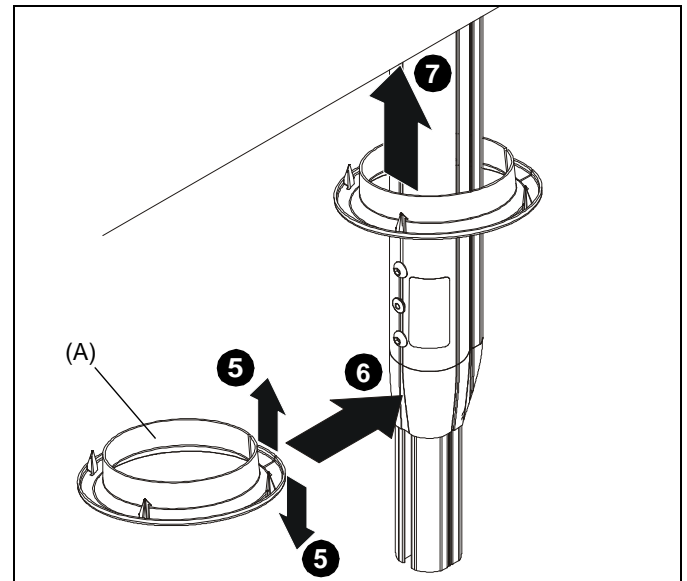


Abb. 11

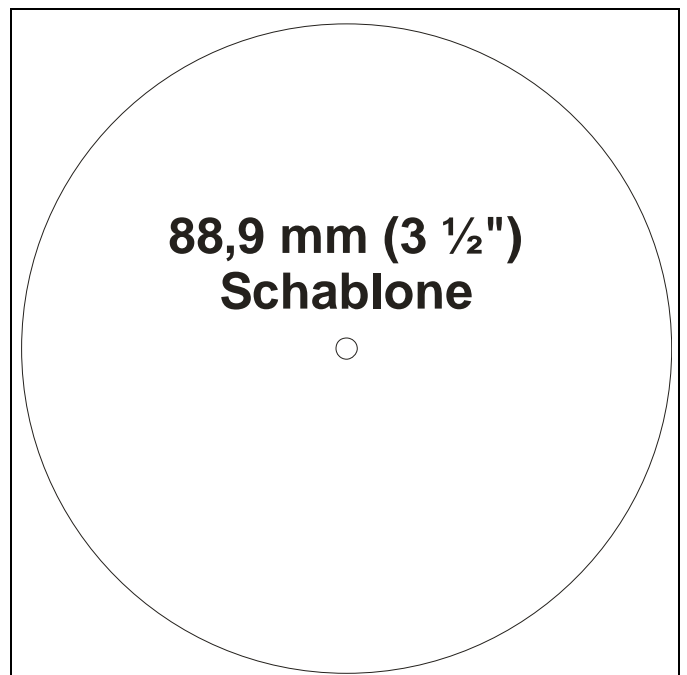


Abb. 12

SLMU Installation

Entfernen der Schraubadapter von den SLBU/SLMU-Beinen

1. Drücken Sie fest auf die Feststellknöpfe am SLMU-Bein (K) und schieben Sie gleichzeitig die Clip-Abdeckung in Richtung der eingeschlossenen Schiebebalkenhalterplatte mit der Schraube. (Siehe Abb. 13)
2. Der Schraubadapter und die daran befestigte Höheneinstellmutter werden freigegeben. Legen Sie die Teile für einen späteren Gebrauch beiseite. (Siehe Abb. 13)
3. Wiederholen Sie die Schritte 1-2 für jedes zu montierende Bein.

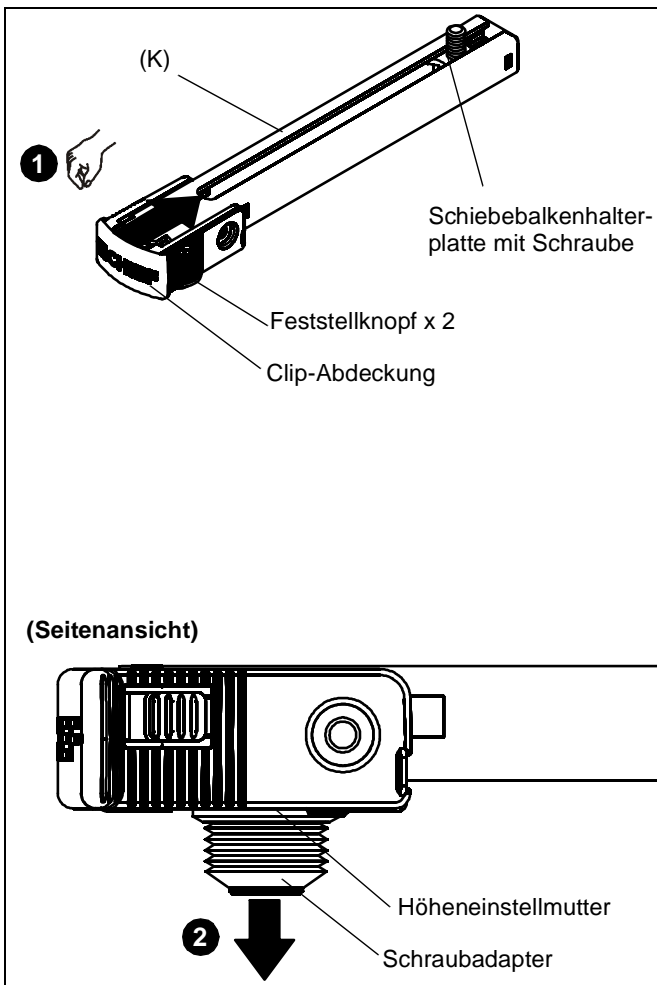


Abb. 13

Anbringen des Projektors an der SLMU



WARNUNG: Das Überschreiten der maximalen Tragkraft kann zu schweren Verletzungen oder Geräteschäden führen! Der Monteur ist dafür verantwortlich, sicherzustellen, dass das Gesamtgewicht aller Komponenten, die mit der SLBU/SLMU-Anschlussplatte verbunden sind, 22,68 kg (50 lbs) nicht überschreitet.

1. Bestimmen Sie die für Ihren Projektor passende Schraubengröße. Probieren Sie die mitgelieferten Kreuzschlitzschrauben (N, P, Q, R oder S) aus, bis eine davon in die Löcher Ihres Projektors passt.

2. Führen Sie die Schrauben durch die Schraubadapter mit den Höheneinstellmuttern in die Projektorlöcher ein. (Siehe Abb. 14)

HINWEIS: Verwenden Sie die Unterlegscheiben (T) nur, wenn Sie M- oder N-Schrauben zur Befestigung der Schraubadapter am Projektor benutzen.

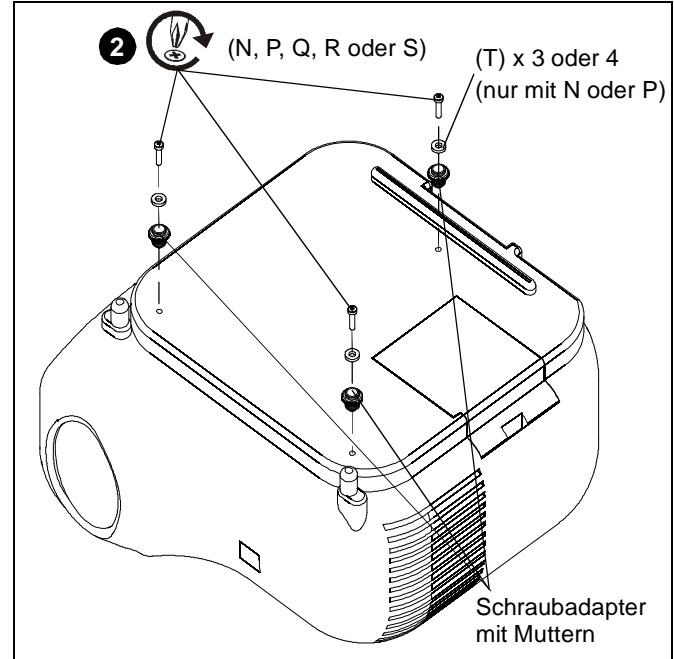


Abb. 14

3. Schrauben Sie die Höheneinstellmuttern auf die gewünschte Höhe. (Siehe Abb. 15)

HINWEIS: Sie sollten die Höheneinstellmuttern so niedrig wie möglich platzieren, aber darauf achten, dass die Beine eventuelle Erhebungen am Projektor nicht streifen. Für eine ebene Ausrichtung der Halterung müssen alle Muttern auf die gleiche Höhe gebracht werden.

WICHTIG! Wird ein Teil des Projektors gestreift und ist eine größere Höhe erforderlich, damit Erhebungen am Projektor frei bleiben, können Sie das optionale Universal-Befestigungsmaterialpaket – Lange Schrauben (X, Y, Z, AA und BB) heranziehen.

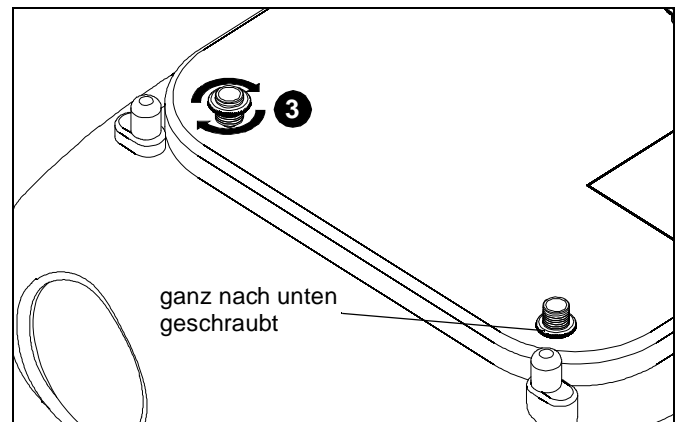


Abb. 15

- Platzieren Sie die SLMU-Beine (B) über den Schraubadaptern mit den Höheneinstellmuttern. (Siehe Abb. 16)

HINWEIS: Achten Sie darauf, dass die Armverschlussclips entsperrt sind.

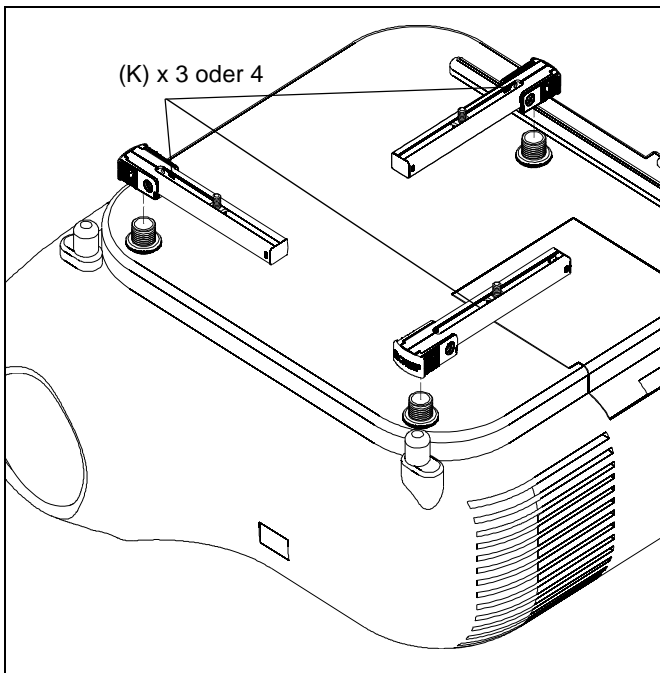


Abb. 16

- Drücken Sie fest auf die Feststellknöpfe am SLMU-Bein (K) und schieben Sie gleichzeitig die Clip-Abdeckung von der eingeschlossenen Schiebebalkenhalterplatte weg, bis die Clip-Abdeckung versperrt ist. (Siehe Abb. 17)
- Wiederholen Sie Schritt 5 für die restlichen Beine.



WARNUNG: Stellen Sie sicher, dass die Beine auf den Höheneinstellmuttern mit den Verschlussclips sicher fixiert sind. Sind die Beine auf den Adaptern nicht ordnungsgemäß fixiert, kann der Projektor aus der SLBU/SLMU-Halterung fallen und SCHWERE oder gar TÖDLICHE VERLETZUNGEN verursachen!

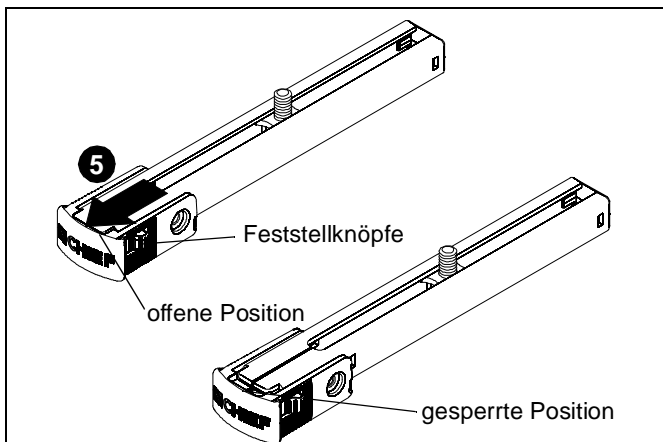


Abb. 17

- Richten Sie die Beine so aus, dass die Schiebebalkenhalterplatten mit den Schrauben zur Mitte des Projektors zeigen. (Siehe Abb. 18) und (Siehe Abb. 19)
- Positionieren Sie die Schiebebalkenhalterplatten mit den Schrauben so, dass die SLMU-Hauptplatte (J) in ebener Lage auf die Beine montiert werden kann. (Siehe Abb. 18) und (Siehe Abb. 19)
- Befestigen Sie die Inbusmutter (V) mit einem 1/4"-Inbuschlüssel (U) an die Schrauben auf den Schiebebalkenhalterungen. (Siehe Abb. 18) und (Siehe Abb. 19)

HINWEIS: Die folgenden Beispiele stellen zwei von vielen möglichen Szenarien typischer Befestigungsschemata dar. Je nach Lochbild gibt es unterschiedliche Anschlusspunkte. Für jedes spezifische Lochbild kommen mehrere Szenarien in Frage, sofern das Gewicht des Projektors nach der Montage zentriert und ausbalanciert ist.

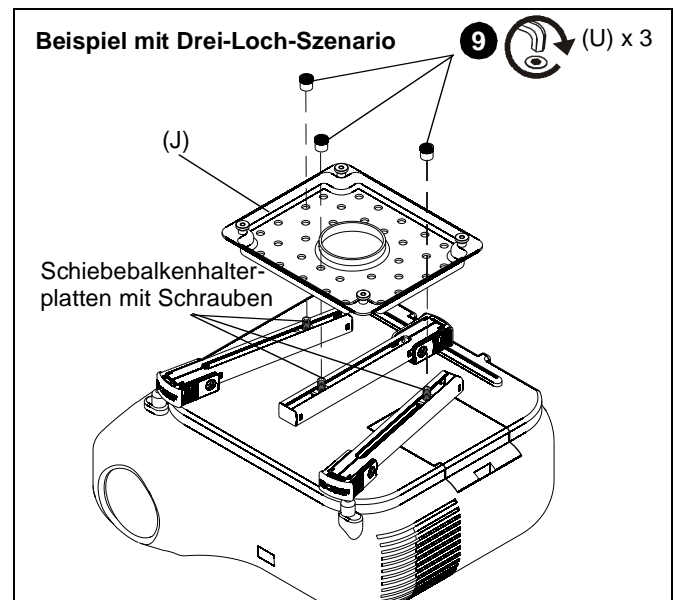


Abb. 18

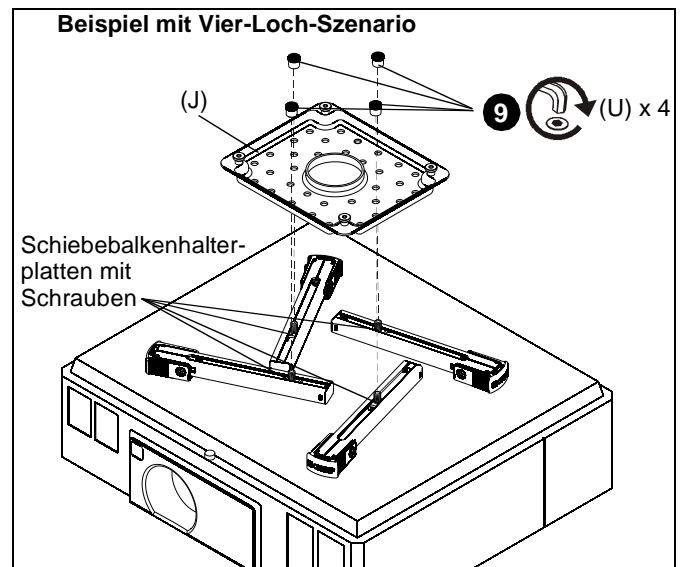


Abb. 19

Montage eines Projektors mit Anschlussplatte



WARNUNG: EINE UNSACHGEMÄSSE MONTAGE KANN ZUM HERUNTERFALLEN DES PROJEKTORS FÜHREN UND SCHWERE VERLETZUNGEN ODER GERÄTESCHÄDEN VERURSACHEN. Verwenden Sie KEINE Ersatz-Befestigungsmaterialien. Verwenden Sie nur die vom Hersteller mitgelieferten Befestigungsmaterialien.

1. Richten Sie den Projektor mit der Anschlussplatte aus. (Siehe Abb. 20)
2. Halten Sie den Projektor so, dass die Schrauben mit den Flügelmuttern nach den Montageschlitz in der Montagebasis ausgerichtet sind. (Siehe Abb. 20)
3. Schieben Sie den Projektor mit der Anschlussplatte in die Montageschlitze der Montagebasis, bis sich die Schrauben am hinteren Ende der Schlitze befinden. (Siehe Abb. 20)

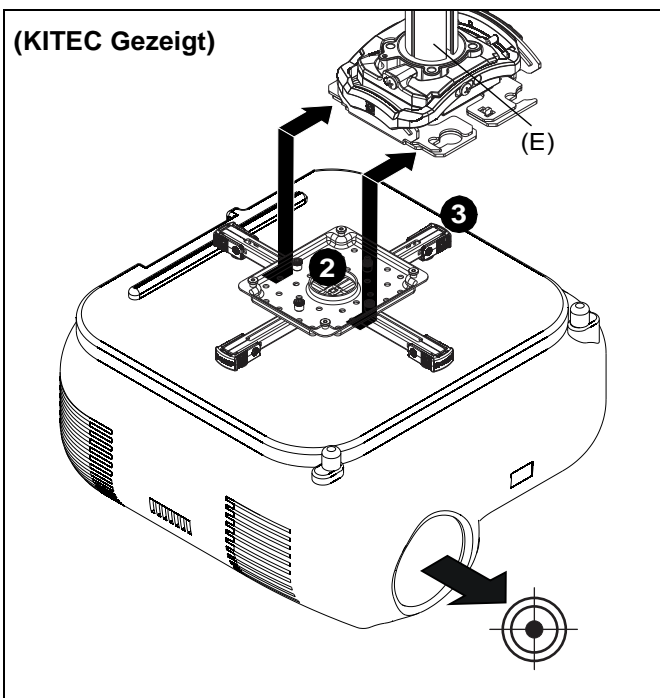


Abb. 20



WARNUNG: EINE UNSACHGEMÄSSE MONTAGE KANN ZUM HERUNTERFALLEN DES PROJEKTORS FÜHREN UND SCHWERE VERLETZUNGEN ODER GERÄTESCHÄDEN VERURSACHEN. Stellen Sie sicher, dass die Montageschlitze in der Montagebasis unter die Flügelmuttern geschoben werden und dass sich die Schrauben am hinteren Ende der Schlitze befinden.

4. Überprüfen Sie, ob sich die Schrauben ordnungsgemäß in den Montageschlitz in der Montagebasis befinden.
5. Bringen Sie den Feststellhebel in die „Versperrt“-Position. (Siehe Abb. 21)
6. Stecken Sie den Schlüssel ins Schloss und drehen Sie ihn, um den Projektor an der Halterung zu befestigen.

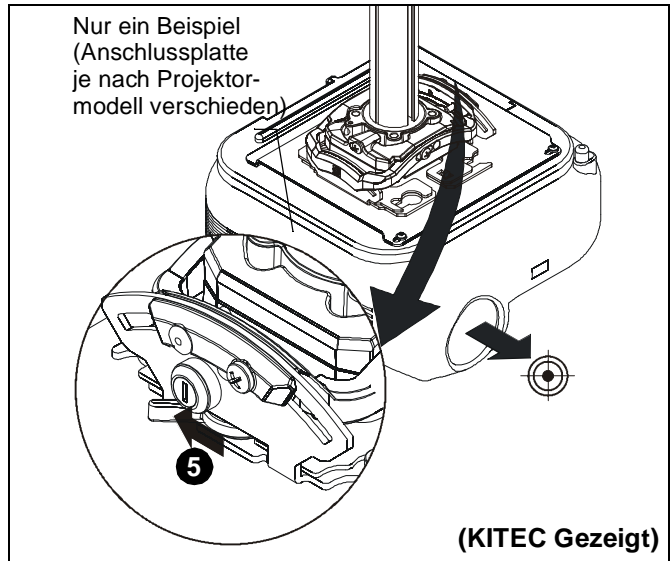


Abb. 21

Montage der Deckenplattenabdeckung

1. Bewegen Sie die Deckenplattenabdeckung (A) so, dass sie die Ausziehsäule umschließen kann. (Siehe Abb. 22)
2. Hüllen Sie die Deckenplattenabdeckung (A) um die Ausziehsäule. (Siehe Abb. 22)
3. Verwenden Sie zwei M6 x 6-mm (7/32")-Halbrundkopfschrauben (E) um die Deckenplattenabdeckung (A) an der CPA116-Platte zu fixieren. (Siehe Abb. 22)

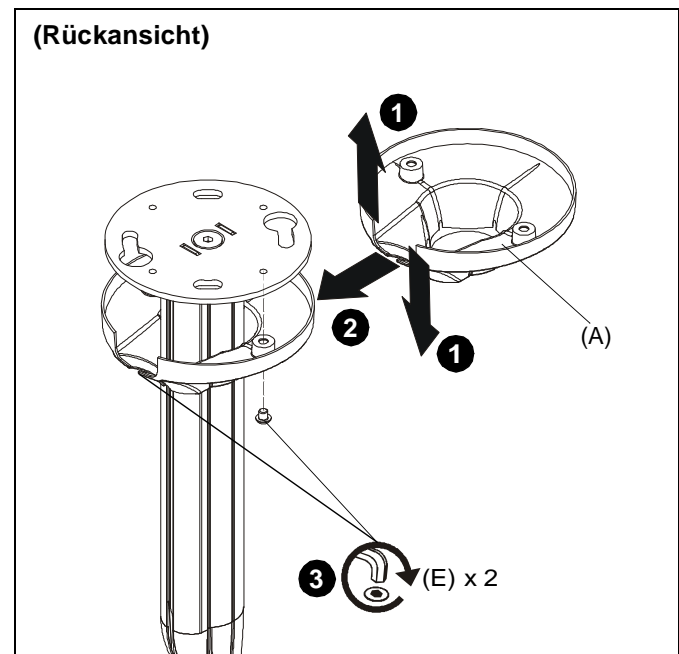


Abb. 22

EINSTELLUNGEN

Einstellung der Drehung um die HÖHENACHSE

1. Lösen Sie die Feststellschraube für die Einstellung der Drehung um die HÖHENACHSE mit einem Nr. 2-Kreuzschlitzschraubendreher. (Siehe Abb. 23)
2. Drehen Sie die Mikro-Justierschraube zur Einstellung der Drehung um die HÖHENACHSE mit einem Nr. 2-Kreuzschlitzschraubendreher nach rechts oder links, bis das Bild auf dem Ziel korrekt ausgerichtet ist. (Siehe Abb. 23)
3. Ziehen Sie die Feststellschraube für die Einstellung der Drehung um die HÖHENACHSE mit einem Nr. 2-Kreuzschlitzschraubendreher fest. (Siehe Abb. 23)

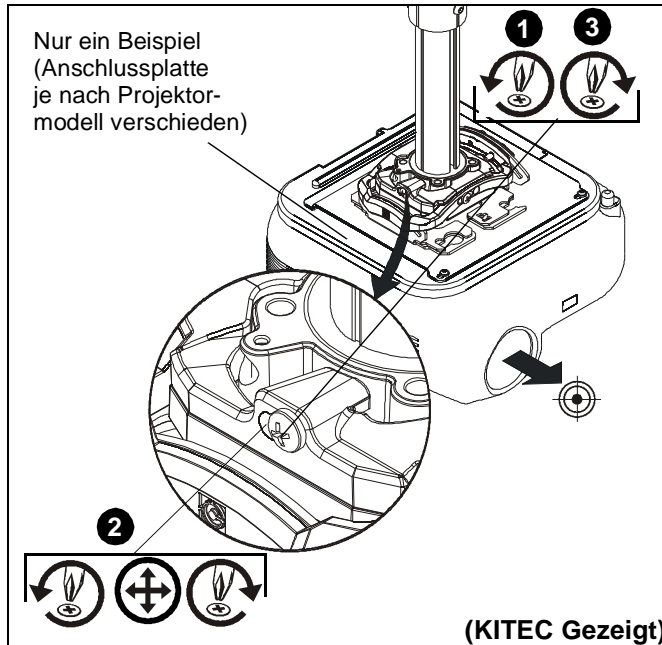


Abb. 23

Einstellung der Drehung um die Querachse

1. Lösen Sie die Feststellschraube für die Einstellung der Drehung um die QUERACHSE mit einem Nr. 2-Kreuzschlitzschraubendreher. (Siehe Abb. 24)
2. Drehen Sie die Mikro-Justierschraube zur Einstellung der Drehung um die QUERACHSE mit einem Nr. 2-Kreuzschlitzschraubendreher nach rechts oder links, bis das Bild auf dem Ziel korrekt ausgerichtet ist. (Siehe Abb. 24)
3. Ziehen Sie die Feststellschraube für die Einstellung der Drehung um die QUERACHSE mit einem Nr. 2-Kreuzschlitzschraubendreher fest. (Siehe Abb. 24)

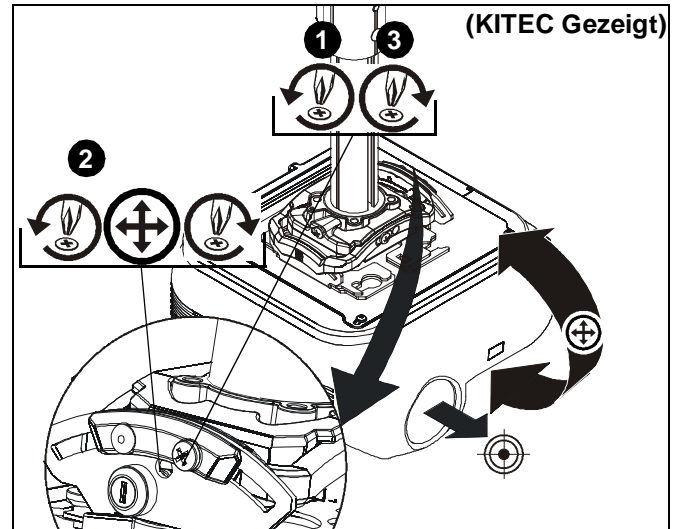


Abb. 24

Einstellung des Querneigungswinkels

1. Lösen Sie die Feststellschraube für die Einstellung des QUERNEIGUNGSWINKELS mit einem Nr. 2-Kreuzschlitzschraubendreher. (Siehe Abb. 25)
2. Drehen Sie die Mikro-Justierschraube des QUERNEIGUNGSWINKELS mit einem Nr. 2-Kreuzschlitzschraubendreher nach rechts oder links, bis das Bild auf dem Ziel korrekt ausgerichtet ist. (Siehe Abb. 25)
3. Ziehen Sie die Feststellschraube für die Einstellung des QUERNEIGUNGSWINKELS mit einem Nr. 2-Kreuzschlitzschraubendreher fest. (Siehe Abb. 25)

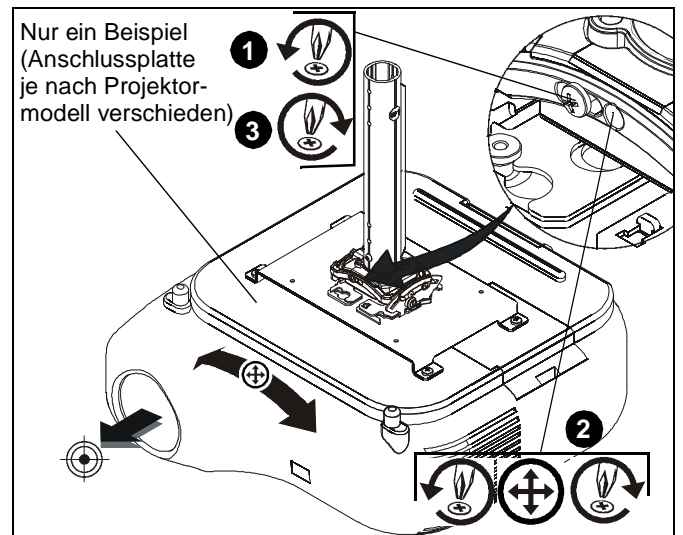


Abb. 25

Höheneinstellung



WARNUNG: Wenn diese Halterung während der Höheneinstellung nicht ordnungsgemäß festgehalten wird, kann dies zu schweren Verletzungen oder Geräteschäden führen! Der Monteur ist dafür verantwortlich, sicherzustellen, dass der Projektor vor der Einstellung aus der Halterung entfernt wird und dass die Halterung während der Höheneinstellung festgehalten wird! Entfernen Sie den Projektor vor der Höheneinstellung aus der Halterung!

1. Entfernen Sie den Projektor aus der Halterung.
2. Lockern Sie die Höheneinstellschrauben. (Siehe Abb. 26)
3. Stellen Sie die Höhe wunschgemäß ein, wobei Sie die Projektorhalterung festhalten müssen. (Siehe Abb. 26)
4. Ziehen Sie die Höheneinstellschrauben fest. (Siehe Abb. 26)
5. Befestigen Sie den Projektor wieder an der Halterung.

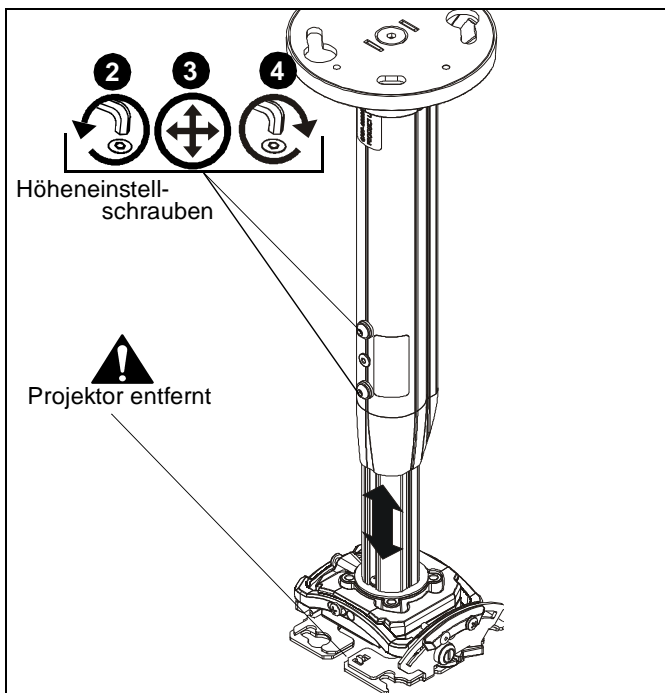


Abb. 26

Kabelführung

HINWEIS: Falls Sie mehr als drei Kabel durch Kabelabdeckungen montieren, ist es möglich, dass die Überleitungsabdeckung am Überleitungspunkt nicht problemlos über die Kabel passt. Befolgen Sie Schritt 1, um dieses Problem zu vermeiden.

1. **(Optional)** Verwenden Sie ein Allzweckmesser, um einen Teil der unteren Kabelabdeckung abzuschneiden, um mehr Platz für die Überleitung der Kabel in die obere Kabelabdeckung zu schaffen. (Siehe Abb. 27)

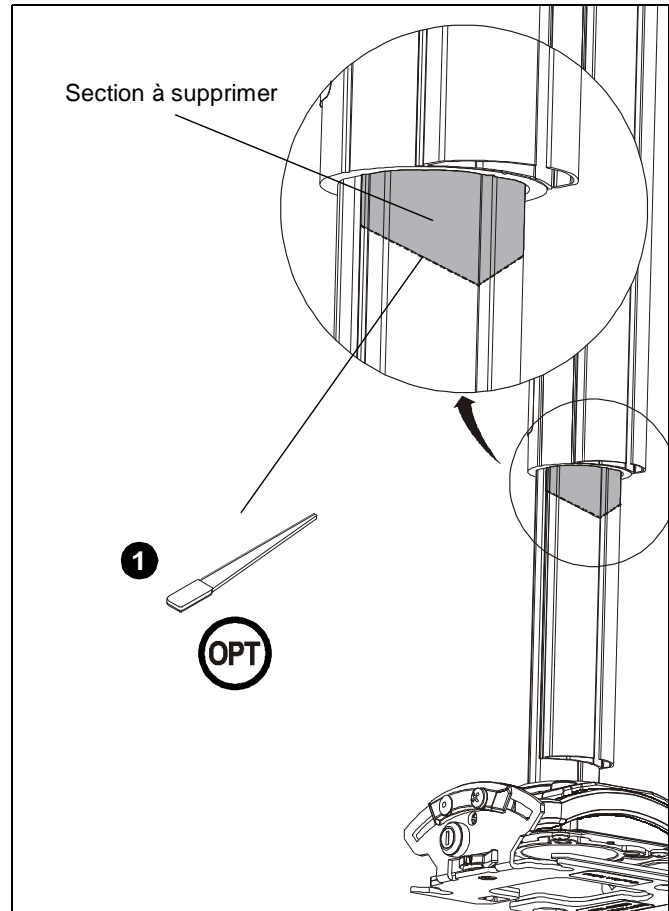


Abb. 27

2. Führen Sie die Kabel durch die untere Kabelabdeckung. (Siehe Abb. 28)
3. Führen Sie die Kabel durch die obere Kabelabdeckung. (Siehe Abb. 28)
4. Führen Sie die Kabel durch Deckenplattenabdeckung (A). (Siehe Abb. 28)

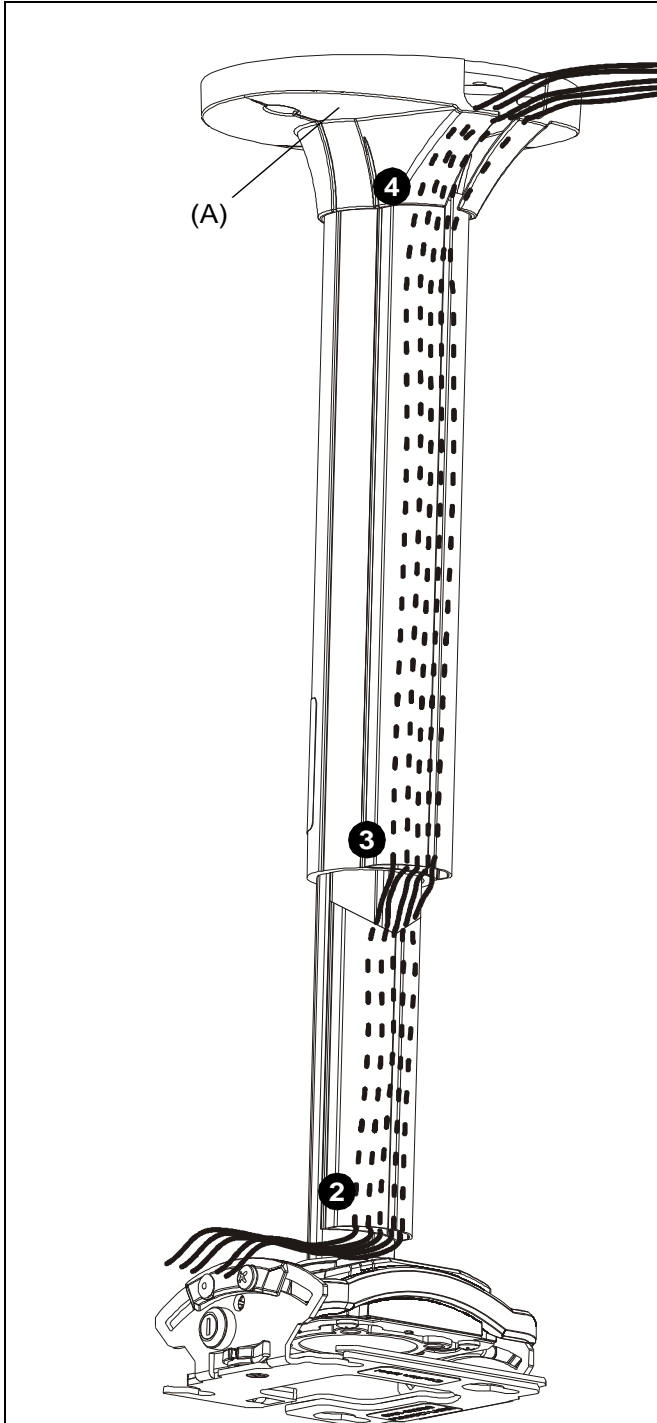


Abb. 28

Montage der Überleitungsabdeckung

1. Bewegen Sie die Überleitungsabdeckung (C) so, dass sie den unteren Teil der Ausziehsäule umschließen kann. (Siehe Abb. 29)
2. Hüllen Sie die Überleitungsabdeckung (C) um den unteren Teil der Ausziehsäule. (Siehe Abb. 29)
3. Drücken Sie die Überleitungsabdeckung (C) in die Basis des unteren Teils der Ausziehsäule, bis die Überleitungsabdeckung in ihrer Position einrastet. (Siehe Abb. 29)

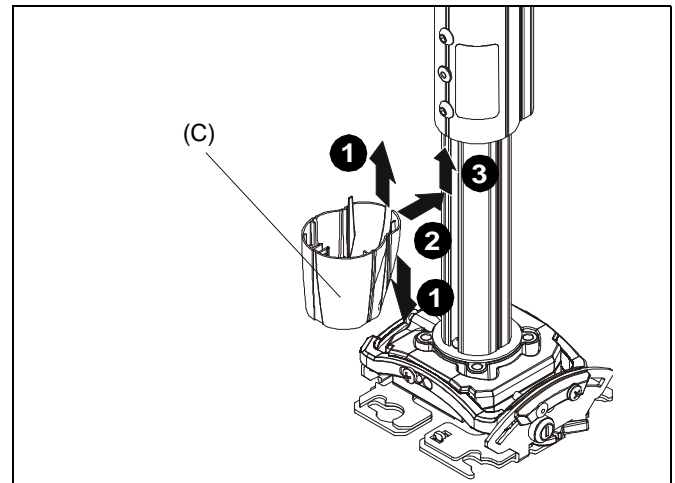


Abb. 29



Our Mounts. **Your Vision.**

Chief, a products division of
Milestone AV Technologies

8800-002970 Rev01
©2017 Milestone AV Technologies
www.milestone.com
05/17

USA/International	A 6436 City West Parkway, Eden Prairie, MN 55344 P 800.582.6480 / 952.225.6000 F 877.894.6918 / 952.894.6918
Europe	A Franklinstraat 14, 6003 DK Weert, Netherlands P +31 (0) 495 580 852 F +31 (0) 495 580 845
Asia Pacific	A Office No. 918 on 9/F, Shatin Galleria 18-24 Shan Mei Street Fotan, Shatin, Hong Kong P 852 2145 4099 F 852 2145 4477

