



Commercial Audio Series

Operation Manual



135MA

160MA

Obtaining Other Language Versions: To obtain information in another language about the use of this product, please contact your local Crown Distributor. If you need assistance locating your local distributor, please contact Crown at 574-294-8000.

This manual does not include all of the details of design, production, or variations of the equipment. Nor does it cover every possible situation which may arise during installation, operation or maintenance.

The information provided in this manual was deemed accurate as of the publication date. However, updates to this information may have occurred. To obtain the latest version of this manual, please visit the Crown website at www.crownaudio.com.

Trademark Notice: Crown, Crown Audio, and Amcron are registered trademarks of Crown International. Other trademarks are the property of their respective owners.

Some models may be exported under the name Amcron®

Important Safety Instructions

Importantes Instrucciones de Seguridad

1. Read these instructions.
2. Keep these instructions.
3. Heed all warnings.
4. Follow all instructions.
5. Do not use this apparatus near water.
6. Clean only with a dry cloth.
7. Do not block any ventilation openings. Install in accordance with the manufacturer's instructions.
8. Do not install near any heat sources such as radiators, heat registers, stoves, or other apparatus (including amplifiers) that produce heat.
9. Do not defeat the safety purpose of the polarized or grounding-type plug. A polarized plug has two blades with one wider than the other. A grounding-type plug has two blades and a third grounding prong. The wide blade or the third prong is provided for your safety. If the provided plug does not fit into your outlet, consult an electrician for replacement of the obsolete outlet.
10. Protect the power cord from being walked on or pinched, particularly at plugs, convenience receptacles, and the point where they exit from the apparatus.
11. Only use attachments/accessories specified by the manufacturer.
12. Use only with a cart, stand, tripod, bracket, or table specified by the manufacturer, or sold with the apparatus. When a cart is used, use caution when moving the cart/apparatus combination to avoid injury from tip-over.
13. Unplug this apparatus during lightning storms or when unused for long periods of time.
14. Refer all servicing to qualified service personnel. Servicing is required when the apparatus has been damaged in any way, such as power-supply cord or plug is damaged, liquid has been spilled or objects have fallen into the apparatus, the apparatus has been exposed to rain or moisture, does not operate normally, or has been dropped.
15. Use the mains plug to disconnect the apparatus from the mains.
16. **WARNING: TO REDUCE THE RISK OF FIRE OR ELECTRIC SHOCK, DO NOT EXPOSE THIS APPARATUS TO RAIN OR MOISTURE.**
17. **DO NOT EXPOSE THIS EQUIPMENT TO DRIPPING OR SPASHING AND ENSURE THAT NO OBJECTS FILLED WITH LIQUIDS, SUCH AS VASES, ARE PLACED ON THE EQUIPMENT.**
18. **THE MAINS PLUG OF THE POWER SUPPLY CORD SHALL REMAIN READILY OPERABLE.**



Wichtige Sicherheitsinstruktionen

Instrucciones de Seguridad Importantes

TO PREVENT ELECTRIC SHOCK DO NOT REMOVE TOP OR BOTTOM COVERS. NO USER SERVICEABLE PARTS INSIDE. REFER SERVICING TO QUALIFIED SERVICE PERSONNEL.

À PRÉVENIR LE CHOC ÉLECTRIQUE N'ENLEVEZ PAS LES COUVERCLES. IL N'Y A PAS DES PARTIES SERVICEABLE À L'INTÉRIEUR. TOUTS REPARATIONS DOIT ÊTRE FAIRE PAR PERSONNEL QUALIFIÉ SEULMENT.

PARA PREVENIR UN CHOQUE ELÉCTRICO, NO RETIRE LAS CUBIERTAS SUPERIOR O INFERIOR. NO EXISTEN PARTES QUE PUEDAN SER REPARADAS POR EL USUARIO AL INTERIOR. REMITA EL SERVICIO AL PERSONAL TÉCNICO CALIFICADO.

TO COMPLETELY DISCONNECT THIS EQUIPMENT FROM THE AC MAINS, DISCONNECT THE POWER SUPPLY CORD PLUG FROM THE AC RECEPTACLE. THE MAINS PLUG OF THE POWER SUPPLY CORD SHALL REMAIN READILY OPERABLE.

POUR DÉMONTER COMPLÈTEMENT L'ÉQUIPEMENT DE L'ALIMENTATION GÉNÉRALE, DÉMONTER LE CÂBLE D'ALIMENTATION DE SON RÉCEPTACLE. LA PRISE D'ALIMENTATION RESTERA AISÉMENT FONCTIONNELLE.

PARA DESCONECTAR COMPLETAMENTE EL EQUIPO DEL SUMINISTRO ELÉCTRICO, DESCONECTE EL CABLE DE ALIMENTACION DE LA TOMA DE CA. LAS PATAS DEL CONECTOR DEL CABLE DE ALIMENTACIÓN DEBERAN MANTENERSE EN BUEN ESTADO.

WATCH FOR THESE SYMBOLS:

The lightning bolt triangle is used to alert the user to the risk of electric shock.

The exclamation point triangle is used to alert the user to important operating or maintenance instructions.

REGARDEZ CES SYMBOLES:

La triangle avec le sigle "foudre" est employée pour alerter l'utilisateur au risque de décharge électrique. Le triangle avec un point d'exclamation est employée pour alerter l'utilisateur d'instruction importantes pour lors opérations de maintenance.

ATENCIÓN CON ESTOS SÍMBOLOS:

El triángulo con el símbolo de rayo eléctrico es usado para alertar al usuario de el riesgo de un choque eléctrico.

El triángulo con el signo de admiración es usado para alertar al usuario de instrucciones importantes de operación o mantenimiento.



CAUTION
RISK OF ELECTRIC SHOCK
DO NOT OPEN

AVIS
RISQUE DE CHOC ÉLECTRIQUE
N'OUVREZ PAS



IMPORTANT

Commercial Audio Series mixer-amplifiers require Class 2 output wiring.

Les amplificateurs de série de Commercial Audio exigent des câbles de sortie de classe 2.

Commercial Audio-Reihe-Verstärker verlangen Klasse die 2 Produktionsverdrahtung.

MAGNETIC FIELD

CAUTION! Do not locate sensitive high-gain equipment such as preamplifiers or tape decks directly above or below the unit. Because this amplifier has a high power density, it has a strong magnetic field which can induce hum into unshielded devices that are located nearby. The field is strongest just above and below the unit.

If an equipment rack is used, we recommend locating the amplifier(s) in the bottom of the rack and the preamplifier or other sensitive equipment at the top.

FCC COMPLIANCE NOTICE

This device complies with part 15 of the FCC rules. Operation is subject to the following two conditions: (1) This device may not cause harmful interference, and (2) this device must accept any interference received, including interference that may cause undesired operation.

CAUTION: Changes or modifications not expressly approved by the party responsible for compliance could void the user's authority to operate the equipment.

NOTE: This equipment has been tested and found to comply with the limits for a Class B digital device, pursuant to part 15 of the FCC Rules. These limits are designed to provide reasonable protection against harmful interference in a residential installation. This equipment generates, uses, and can radiate radio frequency energy and, if not installed and used in accordance with the instruction manual, may cause harmful interference to radio communications. However, there is no guarantee that interference will not occur in a particular installation. If this equipment does cause harmful interference to radio or television reception, which can be determined by turning the equipment off and on, the user is encouraged to try to correct the interference by one or more of the following measures:

- Reorient or relocate the receiving antenna.
- Increase the separation between the equipment and receiver.
- Connect the equipment into an outlet on a circuit different from that to which the receiver is connected.
- Consult the dealer or an experienced radio/TV technician for help.

Crown International, Inc.

DECLARATION OF CONFORMITY

Issued By: Crown International, Inc.
1718 W. Mishawaka Rd.
Elkhart, IN 46517 U.S.A.

FOR COMPLIANCE QUESTIONS ONLY: Sue Whitfield
574-294-8289
swhitfield@crowintl.com

European Representative's Name and Address:

David J. Budge
10 Harvest Close
Yateley
GU46 6YS
United Kingdom

Equipment Type: Commercial Audio Mixer-Amplifiers
Family Name: Commercial Audio Family
Model Names: 135MA, 160MA

EMC Standards:

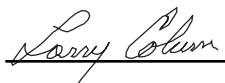
- EN 55103-1:1995** Electromagnetic Compatibility - Product Family Standard for Audio, Video, Audio-Visual and Entertainment Lighting Control Apparatus for Professional Use, Part 1: Emissions
- EN 55103-1:1995** Magnetic Field Emissions-Annex A @ 10 cm and 1 M
- EN 61000-3-2:1995+A14:2000** Limits for Harmonic Current Emissions (equipment input current $\leq 16A$ per phase)
- EN 61000-3-3:1995** Limitation of Voltage Fluctuations and Flicker in Low-Voltage Supply Systems Rated Current $\leq 16A$
- EN 55022:1992 + A1: 1995 & A2:1997** Limits and Methods of Measurement of Radio Disturbance Characteristics of ITE: Radiated, Class B Limits; Conducted, Class B
- EN 55103-2:1996** Electromagnetic Compatibility - Product Family Standard for Audio, Video, Audio-Visual and Entertainment Lighting Control Apparatus for Professional Use, Part 2: Immunity
- EN 61000-4-2:1995** Electrostatic Discharge Immunity (Environment E2-Criteria B, 4k V Contact, 8k V Air Discharge)
- EN 61000-4-3:1996** Radiated, Radio-Frequency, Electromagnetic Immunity (Environment E2, Criteria A)
- EN 61000-4-4:1995** Electrical Fast Transient/Burst Immunity (Criteria B)
- EN 61000-4-5:1995** Surge Immunity (Criteria B)
- EN 61000-4-6:1996** Immunity to Conducted Disturbances Induced by Radio-Frequency Fields (Criteria A)
- EN 61000-4-11:1994** Voltage Dips, Short Interruptions and Voltage Variation

Safety Standard:

EN 60065: 1998 Safety Requirements - Audio Video and Similar Electronic Apparatus

I certify that the product identified above conforms to the requirements of the EMC Council Directive 89/336/EEC as amended by 92/31/EEC, and the Low Voltage Directive 73/23/EES as amended by 93/68/EEC.

Signed



Larry Coburn

Title: Senior Vice President of Manufacturing

Date of Issue: January 1, 2007

Table of Contents

Important Safety Instructions.....	2
Declaration of Conformity	3
1 Welcome	5
1.1 Features	5
1.2 Front Panel Controls and Indicators.....	6
1.3 Back Panel Controls, Connectors and Indicators.....	7
2 Setup.....	8
2.1 Installation.....	8
2.2 How to Attach the Unit to a Rack	8
2.3 Choose Input Wire and Connectors.....	9
2.4 Choose Output Wire and Connectors	10
2.5 Wire Your System.....	11
2.6 Phantom Power.....	11
3 Operation.....	12
3.1 Powering Up	12
3.2 Priority Muting.....	12
3.3 Voice-Activated (VOX) Muting	12
3.4 Music-On-Hold.....	12
3.5 Security Knobs.....	12
4 Troubleshooting.....	13
5 Specifications.....	14
6 Service.....	15
7 Warranty	16
Product Registration.....	19
Factory Service Information Form	21



135MA	*1 kHz Power
Minimum guaranteed power into 8 ohms or 70V/100V output	35W
*1 kHz Power: refers to maximum power in watts at 1 kHz with 0.5% THD.	

160MA	*1 kHz Power
Minimum guaranteed power into 8 ohms or 70V/100V output	60W
*1 kHz Power: refers to maximum power in watts at 1 kHz with 0.5% THD.	

1 Welcome

The Crown® 135MA and 160MA are high-value mixer-amplifiers for commercial audio. They provide 8-ohm and constant-voltage outputs (70V and 100V). Typical uses are paging, background music, and music-on-hold.

The 135MA provides 3 inputs (each with a volume control) and a 35W amplifier output. The 160MA provides 4 inputs (each with a volume control) and a 60W amplifier output.

Other features include priority muting, voice-activated muting, phantom power, and Bass and Treble controls.

1.1 Features

- 3 inputs (each with a volume control), and one 35W amplifier output channel in 135MA
- 4 inputs (each with a volume control), and one 60W amplifier output channel in 160MA
- Ideal for paging, background music, and music-on-hold
- Balanced Phoenix-type mic/line input, telephone output, dual RCA stereo music inputs
- Priority muting by VOX or external switch
- Bass and Treble controls on master output
- Three-Year, No-Fault, Fully Transferable Warranty completely protects your investment and guarantees its specifications

2 Setup

1.2 Front Panel Controls and Indicators

A. Input Signal Presence/Clip Indicators: Green LED, one above each channel's volume control, illuminates when input signal exceeds -40 dBu, or flashes brightly at threshold of audible distortion.

B. Master Output Volume Control: Detented potentiometer with knob.

C. Output Signal Presence Indicator: Green LED above master output volume control illuminates when any input signal exceeds -40 dBu.

D. Output Signal Clip Indicator: Red LED above master output volume control flashes brightly at threshold of audible distortion.

E. Power Indicator: Blue LED indicates power on.

F. Input Volume Controls: One per input, detented potentiometers with knobs. Four controls in 160MA; three controls in 135MA.

G. Tone Controls: Bass and Treble non-detented recessed potentiometers under master output volume control. Bass ± 10 dB at 100 Hz, Treble ± 10 dB at 10 kHz.

H. Power Switch: Pushbutton on-off switch.

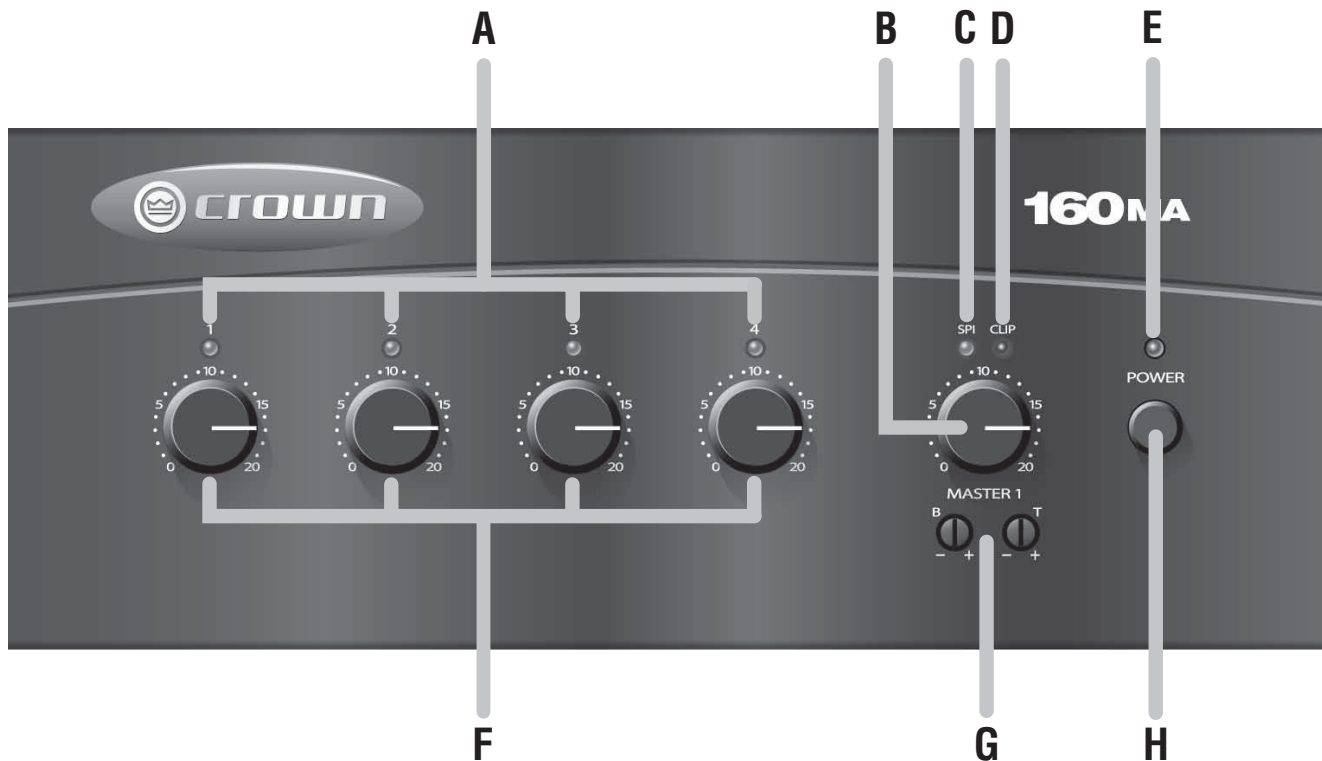


Figure 1.1 Front Panel Controls and Indicators

2 Setup

1.3 Back Panel Controls, Connectors and Indicators

A. AC Power Inlet: Detachable IEC accepts US or Euro style power cords.

B. Amplifier Output Connector: 4-position terminal barrier block with COM (Common), 8 ohms, 70V and 100V terminals. Accepts up to 10 AWG terminal forks. Clear non-touch cover included.

C. Amp Configuration DIP Switch: DIP switch selection for multiple functions.

1. On: Sets CH1 to Mic Input. Off: Sets CH1 to Line Input.
2. On: Sets CH1 to Normal mode (no priority).

3. On: CH1 priority contact closure mutes other channels.

4. On: CH1 VOX mutes other channels by sensing signal through Input 1.

5. On: Routes CH1 to MOH output.

6. On: Routes CH2 to MOH output.

7. On: Routes CH3 to MOH output.

8. On: 15V phantom power.

D: Input Connectors 2-4 (160MA) or 2-3 (135MA)

Unbalanced line-level RCA-type connectors, summed to mono.

E. Preamp Line Out Connector: 3-pin balanced Phoenix-type for connection to external amplifiers. Level independent of master volume control.

F. MOH Level Control: Trim pot adjusts level for Music-On-Hold output from Telephone (MOH) Output Connector.

G. Telephone (MOH) Output Connector: 4-terminal Phoenix connector (2 terminals for 1W output to 8-ohm speaker, 2 terminals for 600-ohm output to PBX music-on-hold port).

H. VOX Threshold: Trim pot controls how loud the voice on CH1 must be before muting other channels. Can be set for no muting.

I. Input Connector 1: 5-terminal Phoenix connector. 3 terminals for balanced signal, 2 terminals for priority contact closure, which mutes other channels when DIP switch 3 is on.

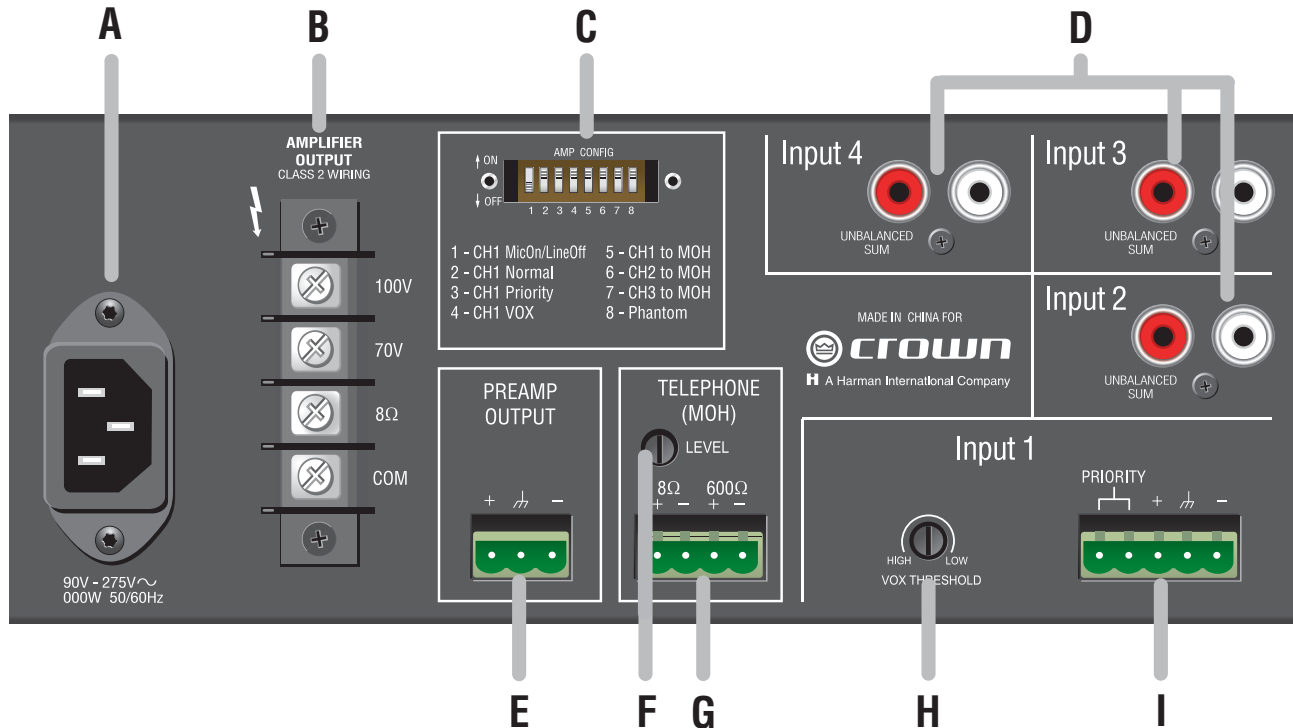


Figure 1.2 Back Panel Controls, Connectors and Indicators

2 Setup

2.1 Installation

CAUTION: Before you begin, make sure your mixer-amplifier is disconnected from the power source, with power switch in the “off” position and all level controls turned completely down (counterclockwise).

Use a standard 19-inch (48.3 cm) equipment rack with an optional rack-mount kit. See Figure 2.1 for dimensions.

You may also stack mixer-amps without using a cabinet, or you may place a single mixer-amp on a surface with 12 inches of air space around the unit for convection cooling.

NOTE: When transporting in a rack, mixer-amps should be supported at the front and back.

When using an equipment rack, do not mount units directly on top of each other. Allow 2 rack units (3.5 inches) between units for convection cooling. The side walls of the rack should be a minimum of two inches (5.1 cm) away from the mixer-amplifier sides, and the back of the rack should be a minimum of four inches (10.2 cm) from the mixer-amplifier back panel.

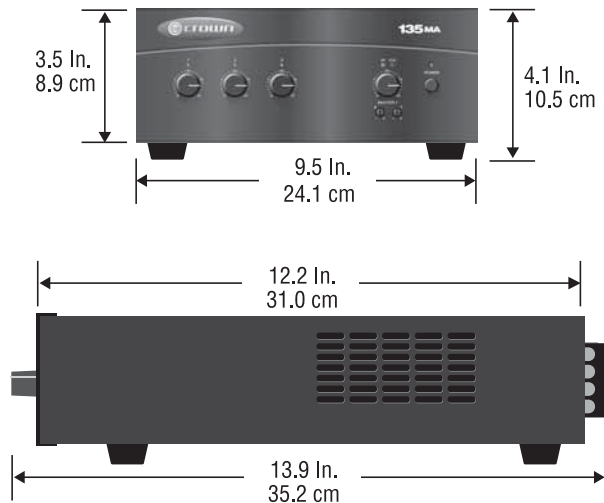


Figure 2.1 Dimensions

2.2 How to Attach the Unit to a Rack

1. Order the optional Rack-Mount Kit from your Crown dealer. Part no. RM1 is a “single rack mount kit” for mounting a single MA unit in a rack. Part no. RM2 is a “double rack mount kit” for mounting two MA units side-by-side in a rack.
2. See Figure 2.2. Remove the two screws from each side of the chassis near the front.
3. Place a rack ear flush with the right front of the chassis.
4. Insert a screw that you removed into the bottom hole of the rack ear and chassis. Screw it in.
5. Insert a screw that you removed into the center hole of the rack ear and chassis. Screw it in.
6. Insert one of the supplied screws into the top hole of the rack ear and chassis. Screw it in.
7. Repeat steps 3-6 for the left side of the chassis.

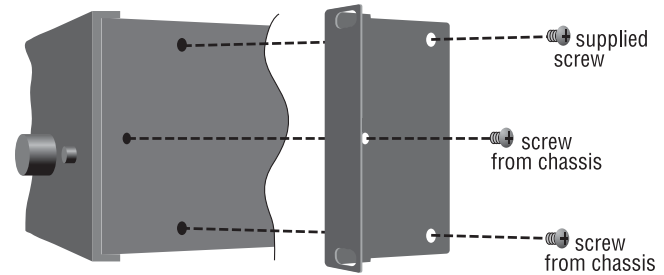
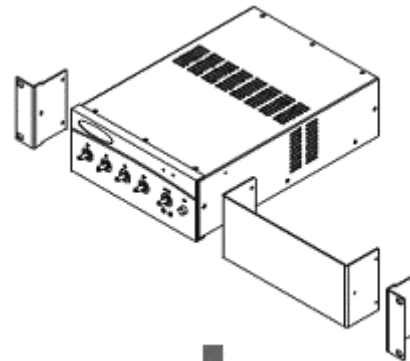
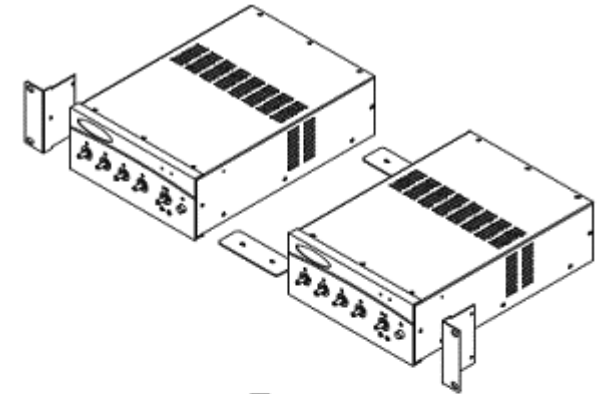
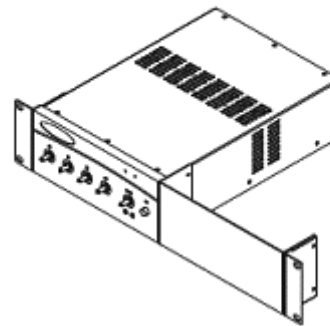


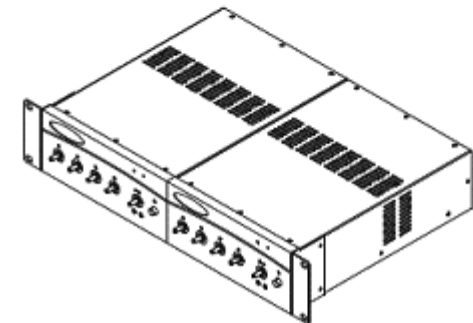
Figure 2.2 How to Connect Rack Ears
(Not to Scale)



Single rack mount kit



Double rack mount kit



2 Setup

2.3 Choose Input Wire and Connectors

Crown recommends using pre-built or professionally wired, balanced line (two-conductor plus shield), 22-24 gauge cables and connectors. Unbalanced line may also be used but may result in noise over long cable runs.

The 135MA and 160MA have two types of input connectors: Phoenix-type and RCA.

- **Mic/Line Connector (CH1):** 5-pin Phoenix-type, balanced, pins 3, 4 and 5 (Figure 2.3).
- **Dual RCA Input Connector (other channels):** For stereo music signals, unbalanced, summed together, two connectors per input (Figure 2.4).

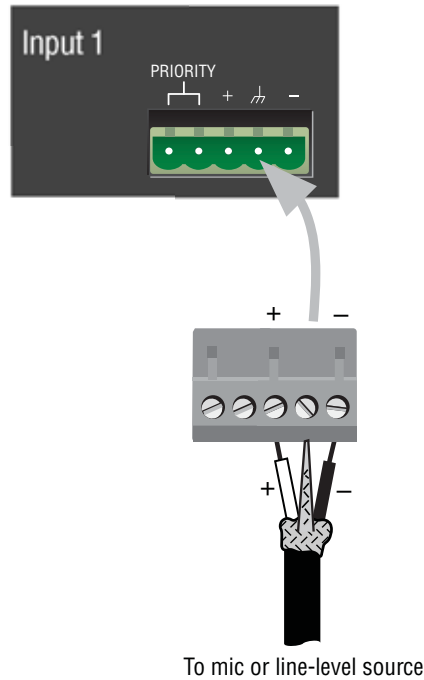


Figure 2.3 Mic/Line Connector

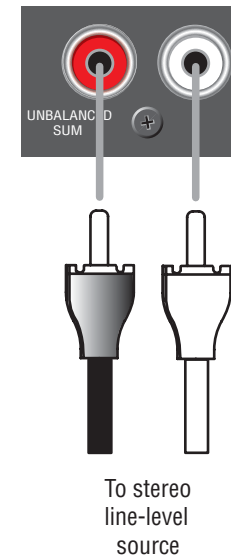


Figure 2.4 Dual RCA Input Connectors

2 Setup

2.4 Choose Output Wire and Connectors

Amplifier Output Connections: Slip the cable lugs under the output screw terminals and tighten (Figure 2.6). Slide the supplied non-touch cover over the output connections from top to bottom to cover them.

Crown recommends using pre-built or professionally wired, high-quality, two-conductor, heavy gauge speaker wire and connectors. You may use crimp-on spade lugs for your output connectors. To prevent the possibility of short-circuits, wrap or otherwise insulate exposed loudspeaker cable connectors. Cover the output connections with the supplied clear non-touch cover by sliding the cover on.

Using the guidelines below, select the appropriate size of wire based on the distance from amplifier to speaker. The wire sizes apply to the 8-ohm tap.

Distance	Wire Size
up to 25 ft.	16 AWG
26-40 ft.	14 AWG
41-60 ft.	12 AWG
61-100 ft.	10 AWG
101-150 ft.	8 AWG
151-250 ft.	6 AWG

NOTE: Custom wiring should only be performed by qualified personnel. Class 2 wiring is required.

CAUTION: Never use shielded cable for output power wiring.

Use 2-conductor shielded cable and a 3-pin Phoenix-type connector for Preamp Line Output (Figure 2.7).

Music-On-Hold Connections

If you have an external music source connected to the 135MA or 160MA, you can play its music over a phone line while the caller is on hold. Use the connection shown in Figure 2.8 (either 8 ohms or 600 ohms) to connect the mixer-amp to the Music-On-Hold input on your telephone system interface/PBX.

If your phone system needs to be electrically isolated from the 135MA or 160MA, you can order an accessory isolation transformer from your Crown dealer, part no. IST. It connects either to the MOH output or to Input 1.

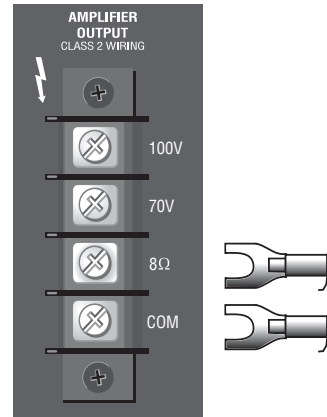


Figure 2.6 Amplifier Output Connections

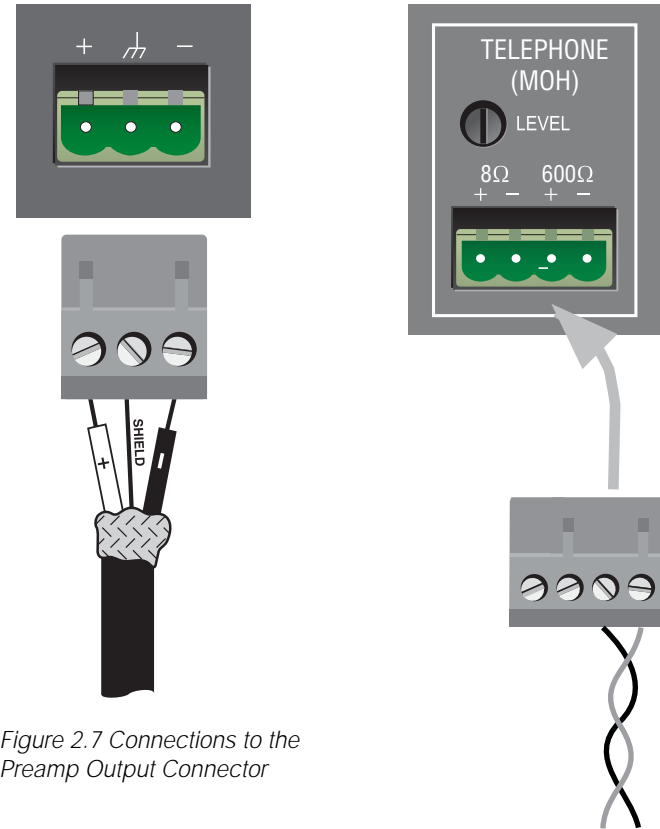


Figure 2.7 Connections to the Preamp Output Connector

To telephone system interface/PBX input

Figure 2.8 Connections to the Telephone (MOH) Connector



2 Setup

2.4 Wire Your System

Typical input and output wiring is shown in Figure 2.9.

INPUTS: For Input 1, connect a microphone or balanced line-level signal to the Input 1 balanced input. Set the Mic/Line switch (DIP switch #1) accordingly. For the other inputs, connect unbalanced line-level signals to the RCA input connectors.

OUTPUTS: Maintain proper polarity (+/-) on amplifier output connectors.

Connect the Amplifier Output screw terminals to the loudspeaker loads. Use terminals marked COM and 70V or 100V for constant-voltage loudspeaker loads. Use terminals marked COM and 8 ohms for an 8-ohm speaker.

Connect the COM terminal to speaker negative (-) lead; connect one of the other terminals to speaker positive (+) lead.

Cover the output connections with the supplied clear non-touch cover by sliding the cover on.

2.6 Phantom Power

Condenser mics require phantom power to operate. If you are using a condenser microphone on Input 1, turn on DIP switch #8 on the back of the mixer-amp. The microphone must be able to work on 15V phantom power, which the mixer-amp's mic input connector provides.

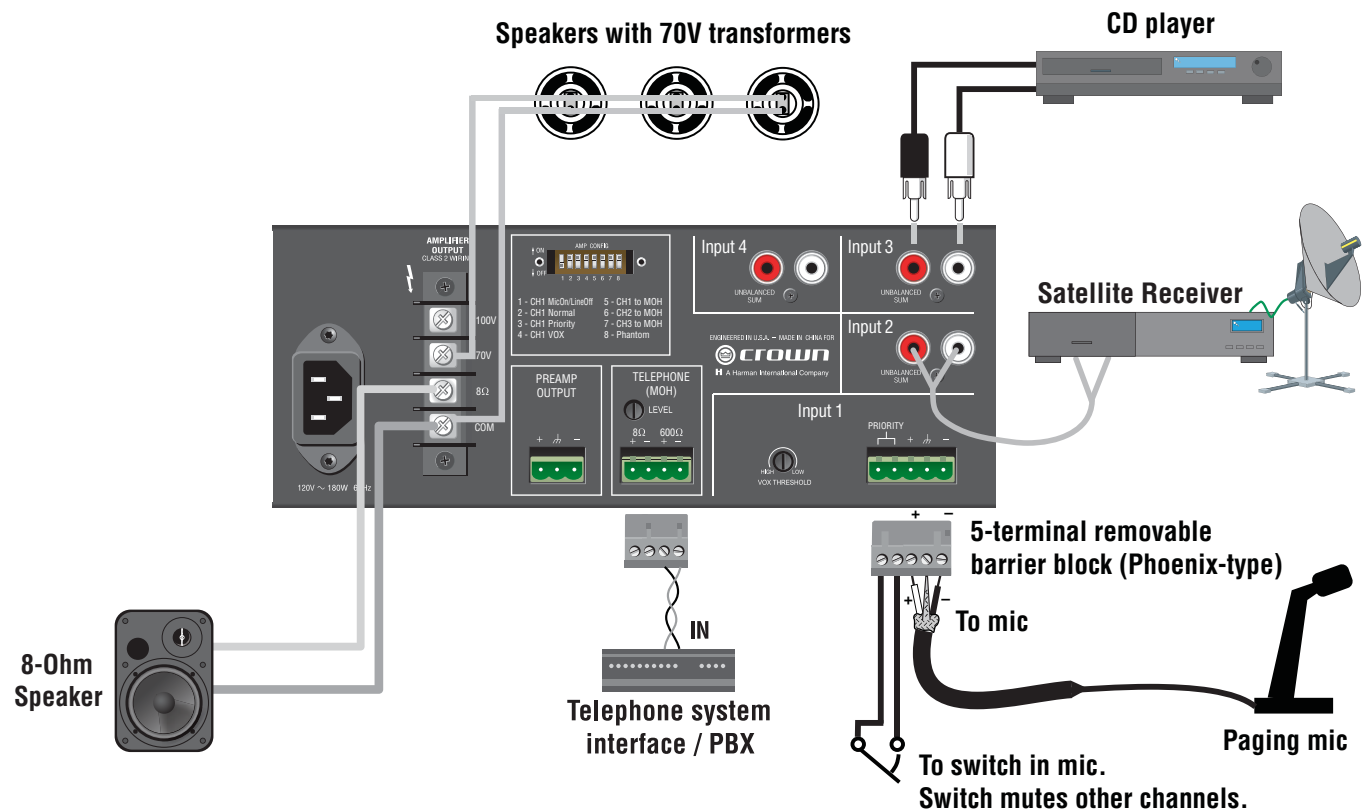


Figure 2.9 Input-Output Wiring

3 Operation

3.1 Powering Up

1. Turn off any equipment connected to the Preamp Output connector.
 2. Plug the amplifier's power cord into a 3-wire grounded AC outlet.
 3. Turn down the input volume controls.
 4. Turn down the master volume control.
 5. Turn on the Power switch. The Power indicator should glow.
 6. Turn the input volume controls in use about 3/4 up.
 7. Turn up the master volume control(s) until the desired loudness or power level is achieved.
 8. Touch up the input levels as needed for music and voice.
 9. Turn on any equipment connected to the Preamp Output connector.
- If you ever need to make any wiring or installation changes, disconnect the power cord.

3.2 Priority Muting

If you want a microphone's push-to-talk switch to mute the background music or other input signals, follow this procedure. On the back of the 135MA or 160MA,

1. Turn DIP switch 2 off. Turn DIP switch 3 on.
2. Connect a push-to-talk mic contact to the Priority Connector (Figure 3.1). Input 1 is the priority input for the amplified output, so Input 1 mutes the other inputs.

3.3 Voice-Activated (VOX) Muting

If you want a voice to mute the background music or other input signals, follow this procedure. On the back of the 135MA or 160MA,

1. Turn DIP switch 4 on. Turn DIP switches 2 and 3 off.
2. Talk into the microphone. Adjust the VOX Threshold trim pot on the back of the unit to set how loud the voice must be before muting occurs. It can be set for no muting.

3.4 Music-On-Hold

On the back of the unit, adjust MOH Level Control to obtain the desired level of Music-On-Hold in your phone system.

3.5 Security Knobs

To prevent user tampering with the knobs, you can order the accessory 10-pack of security knobs from your Crown dealer, part no. S-Cover.

1. Pull off an existing knob.
2. Remove the nut.
3. Screw the security knob over the potentiometer shaft. The knob will not rotate.

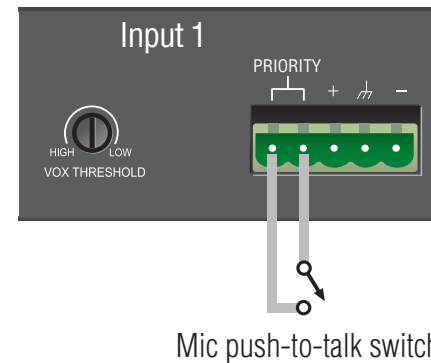



Figure 3.1 Priority Muting Controls and Connectors

4 Troubleshooting



CONDITION: No power to the mixer-amplifier.


POSSIBLE REASON:

- The mixer-amplifier's Power switch is off.
- The mixer-amplifier is not plugged into the power receptacle.
- The mixer-amplifier's high-voltage power supply circuit breaker has tripped. Verify that the AC mains voltage is correct.

CONDITION: No sound.

POSSIBLE REASON:


- The amplifier is in "fault" mode. A Fault status can be triggered when one of the amplifier's protection circuits is activated. First disconnect your speakers from the affected channel(s) one by one to determine if one of the loads is shorted. If an amplifier channel has a thermal fault, there will be no indication on the front panel, but the amp will recover after cooling. If operation does not return to normal after restarting your amp, press the Reset button on the back of the unit. If that does not work, return the unit to Crown or an authorized Crown Service Center for servicing.



CONDITION: Distorted sound.

POSSIBLE REASON:


- Input signal level is too high. Turn down your input volume controls. NOTE: Your mixer-amplifier should never be operated at a level which causes the Clip LEDs to illuminate constantly.



CONDITION: No sound.

POSSIBLE REASON:

- No input signal.
- Input signal level is very low.



CONDITION: Distorted sound.

POSSIBLE REASON:

- Input signal level is too high. Turn down your input volume controls. NOTE: Your mixer-amplifier should never be operated at a level which causes the Clip LEDs to illuminate constantly.
- Master volume level is too high. Turn it down to about 3/4 of maximum level.

KEY

LED OFF ●

LED ON ○

5 Specifications

Guaranteed Minimum Power	135MA	160MA
1 kHz with 0.5% THD Minimum guaranteed power into 8 ohms or 70V/100V output	35W	60W
Performance		
Frequency Reponse (at 1 watt from 8-ohm tap)	50 Hz to 20 kHz \pm 1 dB. 19 Hz to 34 kHz +0, -3 dB.	
Signal to Noise Ratio (ref. to rated power, master volume at minimum)	Mic: > 58 dB. Line: > 60 dB. Telephone: > 60 dB. Inputs 2 or 3 (and 4 in 160MA): > 78 dB.	
THD + N	< 0.5% at rated power at 1 kHz. < 0.1% at 5W at 1 kHz.	
Input Sensitivity (for full output at maximum gain):	Input 1: Mic 3mV, Line 800mV. Input 2: 400mV. Input 3: 400mV. Input 4 (160MA only): 400mV.	
Input Impedance (nominal):	Mic: 2.2 kilohms. Line: 10 kilohms. RCA: 10 kilohms.	
Crosstalk (below rated power)	-82 dB at 1kHz (Ch. 1 line input 0.8V, Ch. 1 volume at minimum, other channel volumes at maximum).	
Line Output Level (nominal):	1V into 10 kilohms.	
Phantom Power	15 VDC.	
AC Line Voltages Available	Universal Power Supply. Line voltage tolerance +15%, -20%.	
Operating Temperature/Humidity	20° C to 40° C at 95% relative humidity (non-condensing).	
Storage Temperature	-20° C to 85° C.	
Construction		
Cooling	Convection cooled.	
Dimensions W x H x D	Width: Half rack width (9.5 in. or 24.1 cm). Height (front panel): 3.5 in. (8.9 cm). Height (including feet): 4.1 in. (10.5 cm). Depth (front panel to back panel): 12.2 in. (31.0 cm). Depth (front of knobs to back panel): 13.9 in. (35.2 cm).	
Net weight	8 lb 2 oz (3.7 kg).	9 lb 7 oz (4.3 kg).
Shipping weight	10 lb 16 oz (4.9 kg).	12 lb 4 oz (5.6 kg).

6 Service

Crown mixer-amplifiers are quality units that rarely require servicing. Before returning your unit for servicing, please contact Crown Technical Support to verify the need for servicing.

Warranty is only valid within the country in which the product was purchased.

This unit has very sophisticated circuitry which should only be serviced by a fully trained technician. This is one reason why each unit bears the following label:



CAUTION: To prevent electric shock, do not remove covers. No user serviceable parts inside. Refer servicing to a qualified technician.

Complete the Crown Audio Factory Service Information form, in the back of this manual, when returning a Crown product to the factory or authorized service center. The form must be included with your product inside the box or in a packing slip envelope securely attached to the outside of the shipping carton. Do not send this form separately.

Worldwide Service

Service may be obtained only through Crown distributors. (Contact your local Crown/Amcron representative or our office for a list of authorized service centers.) To obtain service, simply present the bill of sale as proof of purchase along with the defective unit to an authorized service center. They will handle the necessary paperwork and repair.

Remember to transport your unit in the original factory pack.

US and Canada Service

Service may be obtained in one of two ways: from an authorized service center or from the factory. You may choose either. It is important that you have your copy of the bill of sale as your proof of purchase.

Service at a US or Canada Service Center

This method usually saves the most time and effort. Simply present your bill of sale along with the defective unit to an authorized service center to obtain service. They will handle the necessary paperwork and repair. Remember to transport the

unit in the original factory pack. A list of authorized service centers in your area can be obtained from Crown Factory Service, or online from <http://www.crownaudio.com/support/servcent.htm>.

Factory Service

Crown accepts no responsibility for non-serviceable product that is sent to us for factory repair. It is the owner's responsibility to ensure that their product is serviceable prior to sending it to the factory. Serviceable product list is available at

<http://crownweb.crownintl.com/crownrma/>.

For more information, please contact us direct.

A Service Return Authorization (SRA) is required for product being sent to the factory for repair. An SRA can be completed online at www.crownaudio.com/support/factserv.htm. If you do not have access to the web, please call Crown's Customer Service at 574.294.8200 or 800.342.6939 extension 8205 in North America, Puerto Rico and the Virgin Islands only.

For warranty service, we will pay for ground shipping both ways in the United States. Contact Crown Customer Service to obtain prepaid shipping labels prior to sending the unit. Or, if you prefer, you may prepay the cost of shipping, and Crown will reimburse you. Send copies of the shipping receipts to Crown to receive reimbursement.

Your repaired unit will be returned via UPS ground. Please contact us if other arrangements are required.

Factory Service Shipping Instructions:

1. Service Return Authorization (SRA) is required for product being sent to the factory for service. Please complete the SRA by going to www.crownaudio.com/support/factserv.htm. If you do not have access to our website, call 1.800.342.6939, extension 8205 and we'll create the SRA for you.

2. See packing instructions that follow.

3. Ship product to:

CROWN AUDIO FACTORY SERVICE
1718 W MISHAWKA RD.
ELKHART, IN 46517

4. Use a bold black marker and write the SRA number on three sides of the box.

5. Record the SRA number for future reference. The SRA number can be used to check the repair status.

Packing Instructions

Important: These instructions must be followed. If they are not followed, Crown Audio, Inc. assumes no responsibility for damaged goods and/or accessories that are sent with your unit.

1. Fill out and include the Crown Audio Factory Service Information sheet in the back of this manual.

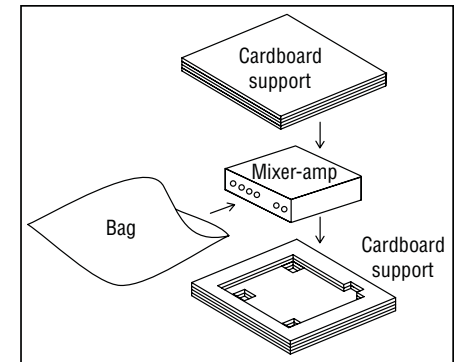
2. Do not ship any accessories (manuals, cords, hardware, etc.) with your unit. These items are not needed to service your product. We will not be responsible for these items.

3. When shipping your Crown product, it is important that it has adequate protection. We recommend you use the original pack material when returning the product for repair (Figure 9.1). If you do not have the original box, please call Crown at 800.342.6939 or 574.294.8210 and order new pack material. (Do not ship your unit in a wood or metal cabinet.)

4. If you provide your own shipping pack, the minimum recommended requirements for materials are as follows:

- a. 275 P.S.I. burst test, Double-Wall carton that allows for 2-inch solid Styrofoam on all six sides of unit or 3 inches of plastic bubble wrap on all six sides of unit.
- b. Securely seal the package with an adequate carton sealing tape.
- c. Do not use light boxes or "peanuts". Damage caused by poor packaging will not be covered under warranty.

Enclose the completed Crown Audio Factory Service Information form (or securely attach it to the outside of carton) and re-seal the shipping pack with a sturdy carton sealing tape.



Estimate Approval

Approval of estimate must be given within 30 days after being notified by Crown Audio Inc. Units still in the possession of Crown after 30 days of the estimate will become the property of Crown Audio Inc.

Payment of Non-Warranty Repairs

Payment on out-of-warranty repairs must be received within 30 days of the repair date. Units unclaimed after 30 days become the property of Crown Audio Inc.

If you have any questions, please contact Crown Factory Service.

Crown Factory Service

1718 W. Mishawaka Rd.,
Elkhart, Indiana 46517 U.S.A.

Telephone:

574.294.8200
800.342.6939 (North America, Puerto Rico, and Virgin Islands only)

Facsimile:

574.294.8301 (Technical Support)
574.294.8124 (Factory Service)

Web site:

<http://www.crownaudio.com>

7 Warranty



SUMMARY OF WARRANTY

Crown International, 1718 West Mishawaka Road, Elkhart, Indiana 46517-4095 U.S.A. warrants to you, the ORIGINAL PURCHASER and ANY SUBSEQUENT OWNER of each NEW Crown product, for a period of three (3) years from the date of purchase by the original purchaser (the "warranty period") that the new Crown product is free of defects in materials and workmanship. We further warrant the new Crown product regardless of the reason for failure, except as excluded in this Warranty.

Warranty is only valid within the country in which the product was purchased.

ITEMS EXCLUDED FROM THIS CROWN WARRANTY

This Crown Warranty is in effect only for failure of a new Crown product which occurred within the Warranty Period. It does not cover any product which has been damaged because of any intentional misuse, accident, negligence, or loss which is covered under any of your insurance contracts. This Crown Warranty also does not extend to the new Crown product if the serial number has been defaced, altered, or removed.

WHAT THE WARRANTOR WILL DO

We will remedy any defect, regardless of the reason for failure (except as excluded), by repair, replacement, or refund. We may not elect refund unless you agree, or unless we are unable to provide replacement, and repair is not practical or cannot be timely made. If a refund is elected, then you must make the

defective or malfunctioning product available to us free and clear of all liens or other encumbrances. The refund will be equal to the actual purchase price, not including interest, insurance, closing costs, and other finance charges less a reasonable depreciation on the product from the date of original purchase. Warranty work can only be performed at our authorized service centers or at the factory. We will remedy the defect and ship the product from the service center or our factory within a reasonable time after receipt of the defective product at our authorized service center or our factory. All expenses in remedying the defect, including surface shipping costs in the United States, will be borne by us. (You must bear the expense of shipping the product between any foreign country and the port of entry in the United States including the return shipment, and all taxes, duties, and other customs fees for such foreign shipments.)

HOW TO OBTAIN WARRANTY SERVICE

You must notify us of your need for warranty service within the warranty period. All components must be shipped in a factory pack, which, if needed, may be obtained from us free of charge. Corrective action will be taken within a reasonable time of the date of receipt of the defective product by us or our authorized service center. If the repairs made by us or our authorized service center are not satisfactory, notify us or our authorized service center immediately.

UNITED STATES & CANADA

DISCLAIMER OF CONSEQUENTIAL AND INCIDENTAL DAMAGES

YOU ARE NOT ENTITLED TO RECOVER FROM US ANY INCIDENTAL DAMAGES RESULTING FROM ANY DEFECT IN THE NEW CROWN PRODUCT. THIS INCLUDES ANY DAMAGE TO ANOTHER PRODUCT OR PRODUCTS RESULTING FROM SUCH A DEFECT. SOME STATES DO NOT ALLOW THE EXCLUSION OR LIMITATIONS OF INCIDENTAL OR CONSEQUENTIAL DAMAGES, SO THE ABOVE LIMITATION OR EXCLUSION MAY NOT APPLY TO YOU.

WARRANTY ALTERATIONS

No person has the authority to enlarge, amend, or modify this Crown Warranty. This Crown Warranty is not extended by the length of time which you are deprived of the use of the new Crown product. Repairs and replacement parts provided under the terms of this Crown Warranty shall carry only the unexpired portion of this Crown Warranty.

DESIGN CHANGES

We reserve the right to change the design of any product from time to time without notice and with no obligation to make corresponding changes in products previously manufactured.

LEGAL REMEDIES OF PURCHASER

THIS CROWN WARRANTY GIVES YOU SPECIFIC LEGAL RIGHTS, YOU MAY ALSO HAVE OTHER RIGHTS WHICH VARY FROM STATE TO STATE. No action to enforce this Crown Warranty shall be commenced after expiration of the warranty period.

THIS STATEMENT OF WARRANTY SUPERSEDES ANY OTHERS CONTAINED IN THIS MANUAL FOR CROWN PRODUCTS. 9/07

7 Warranty



SUMMARY OF WARRANTY

Crown International, 1718 West Mishawaka Road, Elkhart, Indiana 46517-4095 U.S.A. warrants to you, the ORIGINAL PURCHASER and ANY SUBSEQUENT OWNER of each NEW Crown¹ product, for a period of three (3) years from the date of purchase by the original purchaser (the "warranty period") that the new Crown product is free of defects in materials and workmanship, and we further warrant the new Crown product regardless of the reason for failure, except as excluded in this Warranty.

Warranty is only valid within the country in which the product was purchased.

¹ **Note:** If your unit bears the name "Amcron," please substitute it for the name "Crown" in this warranty.

ITEMS EXCLUDED FROM THIS CROWN WARRANTY

This Crown Warranty is in effect only for failure of a new Crown product which occurred within the Warranty Period. It does not cover any product which has been damaged because of any intentional misuse, accident, negligence, or loss which is covered under any of your insurance contracts. This Crown Warranty also does not extend to the new Crown product if the serial number has been defaced, altered, or removed.

WORLDWIDE EXCEPT USA & CANADA

WHAT THE WARRANTOR WILL DO

We will remedy any defect, regardless of the reason for failure (except as excluded), by repair, replacement, or refund. We may not elect refund unless you agree, or unless we are unable to provide replacement, and repair is not practical or cannot be timely made. If a refund is elected, then you must make the defective or malfunctioning product available to us free and clear of all liens or other encumbrances. The refund will be equal to the actual purchase price, not including interest, insurance, closing costs, and other finance charges less a reasonable depreciation on the product from the date of original purchase. Warranty work can only be performed at our authorized service centers. We will remedy the defect and ship the product from the service center within a reasonable time after receipt of the defective product at our authorized service center.

HOW TO OBTAIN WARRANTY SERVICE

You must notify your local Crown importer of your need for warranty service within the warranty period. All components must be shipped in the original box. Corrective action will be taken within a reasonable time of the date of receipt of the defective product by our authorized service center. If the repairs made by our authorized service center are not satisfactory, notify our authorized service center immediately.

DISCLAIMER OF CONSEQUENTIAL AND INCIDENTAL DAMAGES

YOU ARE NOT ENTITLED TO RECOVER FROM US ANY INCIDENTAL DAMAGES RESULTING FROM ANY DEFECT IN THE NEW CROWN PRODUCT. THIS INCLUDES ANY DAMAGE TO ANOTHER PRODUCT OR PRODUCTS RESULTING FROM SUCH A DEFECT.

WARRANTY ALTERATIONS

No person has the authority to enlarge, amend, or modify this Crown Warranty. This Crown Warranty is not extended by the length of time which you are deprived of the use of the new Crown product. Repairs and replacement parts provided under the terms of this Crown Warranty shall carry only the unexpired portion of this Crown Warranty.

DESIGN CHANGES

We reserve the right to change the design of any product from time to time without notice and with no obligation to make corresponding changes in products previously manufactured.

LEGAL REMEDIES OF PURCHASER

No action to enforce this Crown Warranty shall be commenced after expiration of the warranty period.

THIS STATEMENT OF WARRANTY SUPERSEDES ANY OTHERS CONTAINED IN THIS MANUAL FOR CROWN PRODUCTS. 9/07

This page intentionally left blank



PRODUCT REGISTRATION

Crown Audio, Inc.
 1718 W. Mishawaka Rd.
 Elkhart, IN 46517-9439
 Phone: 574-294-8000
 Fax: 574-294-8329
 www.crownaudio.com

Online registration is also available at <http://crownweb.crownintl.com/webregistration>.

Warranty is only valid within the country in which the product is purchased.

When this form is used to register your product, it may be mailed or faxed.

Crown Audio, Inc. Fax: 574-294-8329
 1718 W Mishawaka Rd
 Elkhart IN 46517

Please note that some information is required. Incomplete registrations will not be processed. * Indicates required information.

OWNER'S INFORMATION - PLEASE PRINT

* First name: _____ Middle initial: _____ * Last name: _____
 Company: _____
 * Mailing address: _____
 * City: _____ * State: _____ * Zip Code: _____
 * Country: _____ E-mail address: _____
 * Phone # (include area code): _____ Fax #: _____

PRODUCT INFORMATION

* MODEL	* SERIAL #	* PURCHASE DATE
e.g. IT8000, CDi1000, PCC160	e.g. 8000000000	mo/day/yr
_____	_____	____/____/____
_____	_____	____/____/____
_____	_____	____/____/____
_____	_____	____/____/____

Product purchased from: *(Business/Individual) _____ Country: _____

Comments _____

CUT ON THIS LINE

This page intentionally left blank



Crown Audio Factory Service Information

Shipping Address: Crown Audio Factory Service, 1718 W. Mishawaka Rd., Elkhart, IN 46517

PLEASE PRINT CLEARLY

SRA #: _____ (If sending product to Crown factory service.) Model: _____ Serial Number: _____ Purchase Date: _____

PRODUCT RETURN INFORMATION

Individual or Business Name: _____

Phone #: _____ Fax #: _____ E-Mail: _____

Street Address (please, no P.O. Boxes): _____

City: _____ State/Prov: _____ Postal Code: _____ Country: _____

Nature of problem: _____

Other equipment in your system: _____

If warranty is expired, please provide method of payment. Proof of purchase may be required to validate warranty.

PAYMENT OPTIONS

I have open account payment terms. Purchase order required. PO#: _____ COD

Credit Card (Information below is required; however if you do not want to provide this information at this time, we will contact you when your unit is repaired for the information.)

Credit card information:

Type of credit card: MasterCard Visa American Express Discover

Type of credit card account: Personal/Consumer Business/Corporate

Card # _____ Exp. date: _____ * Card ID #: _____

* Card ID # is located on the back of the card following the credit card #, in the signature area. On American Express, it may be located on the front of the card. This number is required to process the charge to your account. If you do not want to provide it at this time, we will call you to obtain this number when the repair of your unit is complete.

Name on credit card: _____

Billing address of credit card: _____

This page intentionally left blank

This page intentionally left blank



H A Harman International Company