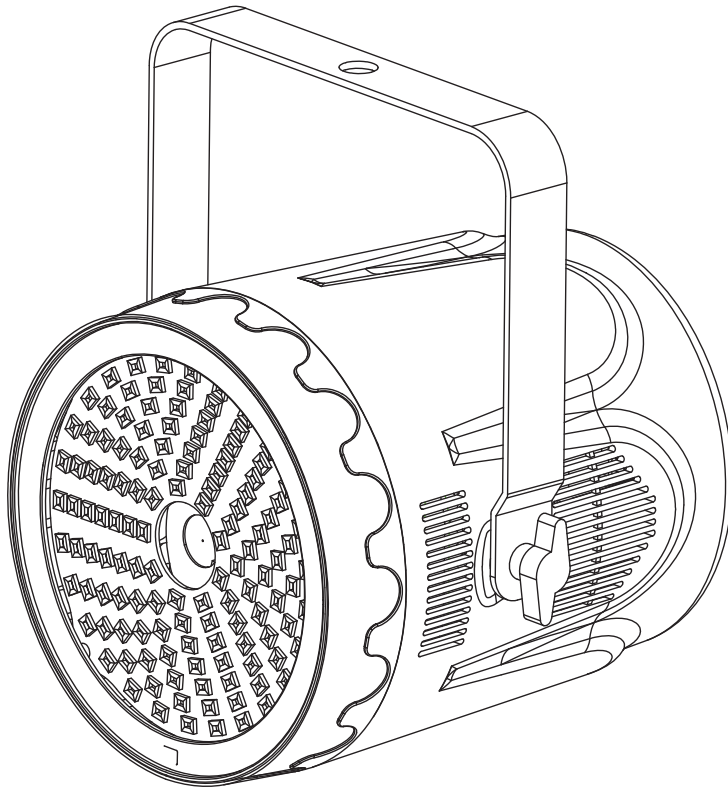




RAYZER



User Instructions

Startec[®]
SERIES
by ADJ

©2018 ADJ Products, LLC all rights reserved. Information, specifications, diagrams, images, and instructions herein are subject to change without notice. ADJ Products, LLC logo and identifying product names and numbers herein are trademarks of ADJ Products, LLC. Copyright protection claimed includes all forms and matters of copyrightable materials and information now allowed by statutory or judicial law or hereinafter granted. Product names used in this document may be trademarks or registered trademarks of their respective companies and are hereby acknowledged. All non-ADJ Products, LLC brands and product names are trademarks or registered trademarks of their respective companies.

ADJ Products, LLC and all affiliated companies hereby disclaim any and all liabilities for property, equipment, building, and electrical damages, injuries to any persons, and direct or indirect economic loss associated with the use or reliance of any information contained within this document, and/or as a result of the improper, unsafe, insufficient and negligent assembly, installation, rigging, and operation of this product.

DOCUMENT VERSION

Please check www.adj.com for the latest revision/update of this guide.

Date	Document Version	Software Version \geq	DMX Channel Mode	Notes
11/19/18	1	3	5/8/29	Initial Release

Europe Energy Saving Notice

Energy Saving Matters (EuP 2009/125/EC)

Saving electric energy is a key to help protecting the environment. Please turn off all electrical products when they are not in use. To avoid power consumption in idle mode, disconnect all electrical equipment from power when not in use. Thank you!

Introduction	3
Features Warranty Installation	4
Safety Precautions	5
Laser Warnings	6
DMX Setup	8
DMX Addressing	10
Overview	11
System Menu	12
Operating Instructions	13
Offset Menu	15
Master-Slave Setup	16
ADJ UC IR/Airstream IR Control	17
DMX Modes	18
Dimensional Drawings	21
Fuse Replacement Trouble Shooting Cleaning	22
Warranty	23
Technical Specifications	24

Unpacking: Thank you for purchasing the Rayzer by ADJ Products, LLC. Every Rayzer has been thoroughly tested and has been shipped in perfect operating condition. Carefully check the shipping carton for damage that may have occurred during shipping. If the carton appears to be damaged, carefully inspect your fixture for any damage and be sure all accessories necessary to operate the unit has arrived intact. In the case damage has been found or parts are missing, please contact our toll free customer support number for further instructions. Do not return this unit to your dealer without first contacting customer support.

Introduction: The ADJ Rayzer is a DMX intelligent LED fixture. The Rayzer can operate as a stand alone fixture or in a Master/Slave set up. The Rayzer has three operating modes; show mode, sound active mode, & DMX controlled. This fixture is suitable for theaters, studios, retail stores, and other similar locations. *For best results use fog or special effects smoke to enhance the beams projections.*

These instructions contain important safety information regarding the use and maintenance of this system. Please keep this manual with the system, for future reference.

Customer Support: Contact ADJ Service for any product related service and support needs. Also visit forums.adj.com with questions, comments or suggestions.

Parts: To purchase parts online visit <http://parts.americandj.com>

ADJ SERVICE USA - Monday - Friday 8:00am to 4:30pm PST

Voice: 800-322-6337 | Fax: 323-832-2941 | support@adj.com

ADJ SERVICE EUROPE - Monday - Friday 08:30 to 17:00 CET

Voice: +31 45 546 85 60 | Fax: +31 45 546 85 96 | support@adj.eu

WARNING!

To prevent or reduce the risk of electrical shock or fire, do not expose this unit to rain or moisture.

CAUTION!

There are no user serviceable parts inside this unit. Do not attempt any repairs yourself, doing so will void your manufactures warranty. In the unlikely event your unit may require service please contact ADJ Products, LLC.

PLEASE recycle the shipping carton when ever possible.

Rayzer

Features

- Three Operating Modes
- Electronic Dimming 0-100%
- DMX-512 Protocol | 3pin DMX In/Out Connections
- Three DMX Modes: 5 / 8 / 29
- ADJ UC IR compatible (Not Included) and Airstream IR compatible (Transmitter Not Included)

Rayzer

Warranty Registration

The Rayzer carries a 2 year (730 Days) limited warranty. Please fill out the enclosed warranty card to validate your purchase. All returned service items whether under warranty or not, must be freight pre-paid and accompany a return authorization (R.A.) number. The R.A. number must be clearly written on the outside of the return package. A brief description of the problem as well as the R.A. number must also be written down on a piece of paper included in the shipping carton. If the unit is under warranty, you must provide a copy of your proof of purchase invoice. You may obtain a R.A. number by contacting our customer support team on our customer support number. All packages returned to the service department not displaying a R.A. number on the outside of the package will be returned to the shipper.

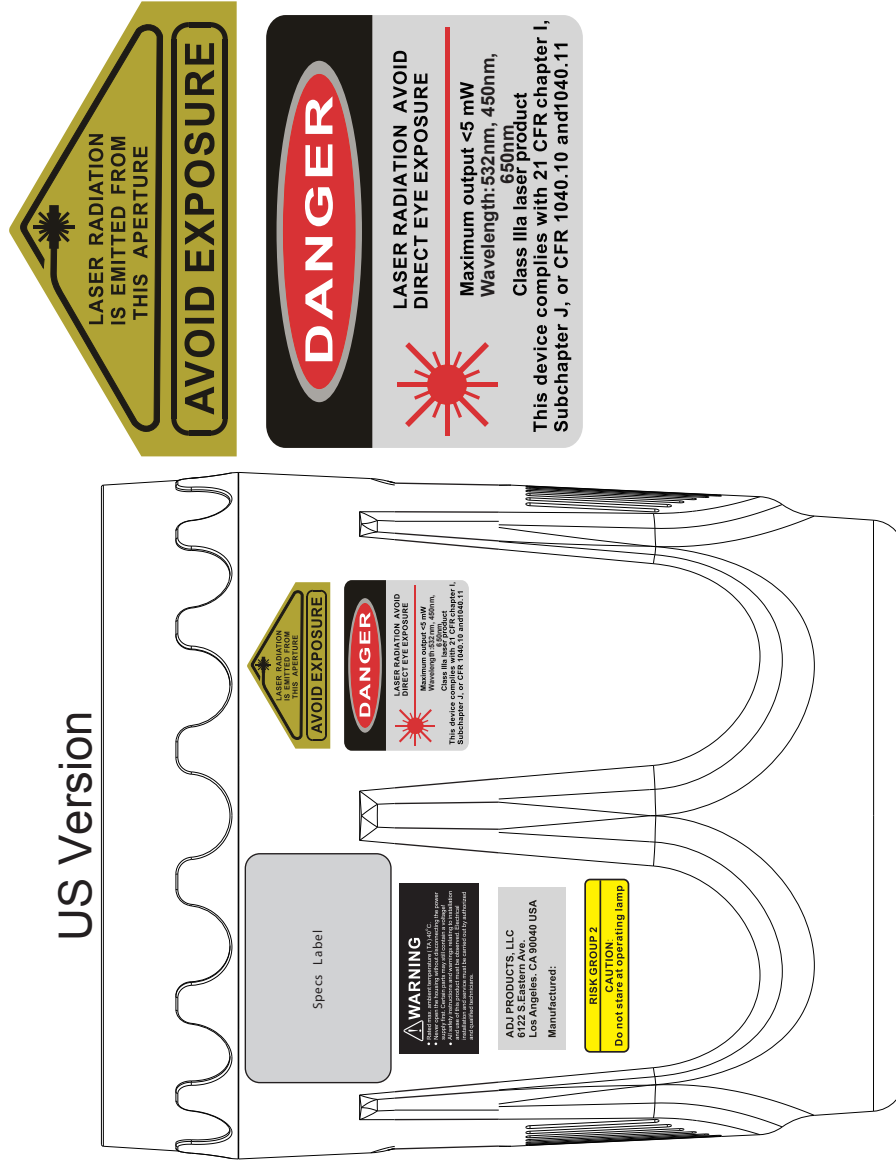
Rayzer

Installation

Fixtures should be mounted using a mounting clamp (not provided), affixing it to the mounting bracket that is provided with the unit. Always ensure that the fixture is firmly fixed to avoid vibration and slipping while operating. Always ensure that the structure to which you are attaching the unit is secure and is able to support a weight of 10 times the unit's weight. Also, always use a safety cable that can hold 12 times the weight of the unit when installing the fixture. The equipment must be installed by a professional, and it must be installed in a place where it is out of the reach of people's grasp.

For Your Own Personal Safety, Please Read and Understand This Manual Completely Before You Attempt To Install Or Operate This Unit!

- To reduce the risk of electrical shock or fire, do not expose this unit rain or moisture
- Do not spill water or other liquids into or on to your unit.
- Be sure that the local power outlet match that of the required voltage for your unit.
- Do not attempt to operate this unit if the power cord has been frayed or broken.
- Do not attempt to remove or break off the ground prong from the electrical cord. This prong is used to reduce the risk of electrical shock and fire in case of an internal short.
- Disconnect from main power before making any type of connection.
- Do not remove the cover under any conditions. There are no user serviceable parts inside.
- Never operate this unit when it's cover is removed.
- Always be sure to mount this unit in an area that will allow proper ventilation. Allow about 6" (15cm) between this device and a wall.
- Do not attempt to operate this unit, if it becomes damaged.
- This unit is intended for indoor use only, use of this product outdoors voids all warranties.
- Always mount this unit in safe and stable matter.
- Power-supply cords should be routed so that they are not likely to be walked on or pinched by items placed upon or against them, paying particular attention to cords at plugs, convenience receptacles, and the point where they exit from the appliance.
- Cleaning -The fixture should be cleaned only as recommended by the manufacturer. See page 24 for cleaning details.
- Heat -This fixture should be situated away from heat sources such as radiators, heat registers, stoves, or other appliances (including amplifiers) that produce heat.
- The fixture should be serviced by qualified service personnel when:
 - A. Objects have fallen, or liquid has been spilled into the appliance.
 - B. The appliance has been exposed to rain or water.
 - C. The appliance does not appear to operate normally or exhibits a marked change in performance.



Specs Label

WARNING

- Rated max. ambient temperature (TA) 40°C.
- Never open the housing without disconnecting the power supply first. Certain parts may still contain a voltage!
- All safety instructions and warnings relating to installation and use of this product must be observed. Electrical installation and service must be carried out by authorized and qualified technicians.

ADJ PRODUCTS, LLC
6122 S.Eastern Ave.
Los Angeles. CA 90040 USA
Manufactured:

RISK GROUP 2
CAUTION:
Do not stare at operating lamp

EU Version

Specs Label

Before operating, make sure the use of this fixture is allowed in your country!

⚠️ WARNING

- Rated max. ambient temperature (TA) 40 °C.
- Never open the housing without disconnecting the power supply first. Certain parts may still contain a voltage!
- All safety instructions and warnings relating to installation and use of this product must be observed. Electrical installation and service must be carried out by authorized and qualified technicians.

The diagram shows a lamp fixture with several labels and warning signs. On the left, a grey box labeled 'Specs Label' is positioned. Below it, a white box contains the text: 'Before operating, make sure the use of this fixture is allowed in your country!'. To the right of this is a black box with a white warning triangle and the word 'WARNING' in large letters, followed by three bullet points: 'Rated max. ambient temperature (TA) 40 °C.', 'Never open the housing without disconnecting the power supply first. Certain parts may still contain a voltage!', and 'All safety instructions and warnings relating to installation and use of this product must be observed. Electrical installation and service must be carried out by authorized and qualified technicians.' On the right side of the fixture, there are four labels: a yellow triangular warning sign with a laser symbol and the text 'LASER RADIATION IS EMITTED FROM THIS APERTURE AVOID EXPOSURE'; a yellow rectangular label with 'RISK GROUP 2 CAUTION: Do not stare at operating lamp'; a white rectangular label with manufacturer information: 'A.D.J. Supply Europe B.V. Junestraat 2, 6468 EW Kerkrade, Netherlands' and 'Manufactured:'; and a yellow rectangular label with a laser warning triangle, 'LASER RADIATION AVOID DIRECT EYE EXPOSURE', and 'IEC/EN 60825-1, ed 1.2'. Below this is another yellow rectangular label with 'CAUTION - CLASS 3B LASER RADIATION WHEN OPEN AVOID DIRECT EYE EXPOSURE'.

DMX-512: DMX is short for Digital Multiplex. This is a universal protocol used as a form of communication between intelligent fixtures and controllers. A DMX controller sends DMX data instructions from the controller to the fixture. DMX data is sent as serial data that travels from fixture to fixture via the DATA “IN” and DATA “OUT” XLR terminals located on all DMX fixtures (most controllers only have a DATA “OUT” terminal).

DMX Linking: DMX is a language allowing all makes and models of different manufactures to be linked together and operate from a single controller, as long as all fixtures and the controller are DMX compliant. To ensure proper DMX data transmission, when using several DMX fixtures try to use the shortest cable path possible. The order in which fixtures are connected in a DMX line does not influence the DMX addressing. For example; a fixture assigned a DMX address of 1 may be placed anywhere in a DMX line, at the beginning, at the end, or anywhere in the middle. When a fixture is assigned a DMX address of 1, the DMX controller knows to send DATA assigned to address 1 to that unit, no matter where it is located in the DMX chain.

Data Cable (DMX Cable) Requirements (For DMX Operation): The Rayzer can be controlled via DMX-512 protocol and has 3 DMX channel modes. The DMX address is set on the back panel. The Rayzer require standard 3-pin XLR connectors for data input and data output (Figure 1), which are included on the included DMX cables. If you are making your own cables, be sure to use standard 110-120 Ohm shielded cable (This cable may be purchased at almost all pro lighting stores). Your cables should be made with a male and female XLR connector on either end of the cable. Also remember that DMX cable must be daisy chained and cannot be split.



Figure 1

Notice: Be sure to follow figures 2 and 3 below when making your own cables. Do not use the ground lug on the XLR connector. Do not connect the cable’s shield conductor to the ground lug or allow the shield conductor to come in contact with the XLR’s outer casing. Grounding the shield could cause a short circuit and erratic behavior.

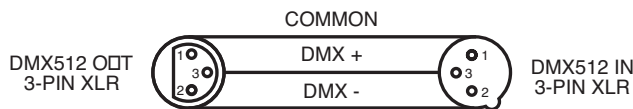


Figure 2

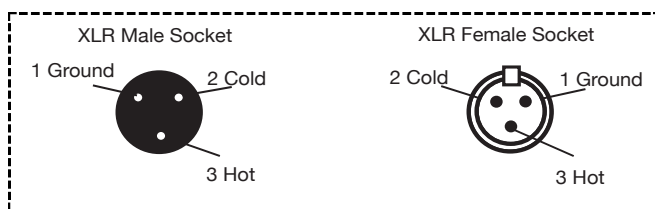
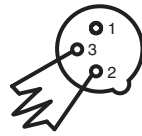


Figure 3

XLR Pin Configuration
Pin 1 = Ground
Pin 2 = Data Compliment (negative)
Pin 3 = Data True (positive)

Special Note: Line Termination. When longer runs of cable are used, you may need to use a terminator on the last unit to avoid erratic behavior. A terminator is a 110-120 ohm 1/4 watt resistor which is connected between pins 2 and 3 of a male XLR connector (DATA + and DATA -). This unit is inserted in the female XLR connector of the last unit in your daisy chain to terminate the line. Using a cable terminator (ADJ part number Z-DMX/T) will decrease the possibilities of erratic behavior.



Termination reduces signal errors and avoids signal transmission problems and interference. It is always advisable to connect a DMX terminal, (Resistance 120 Ohm 1/4 W) between PIN 2 (DMX-) and PIN 3 (DMX +) of the last fixture.

Figure 4

5-Pin XLR DMX Connectors. Some manufactures use 5pin DMX-512 data cables for DATA transmission in place of 3pin. 5pin DMX fixtures may be implemented in a 3-pin DMX line. When inserting standard 5pin data cable in to a 3pin line a cable adaptor must be used, these adaptors are readily available at most electric stores. The chart below details a proper cable conversion.

3-Pin XLR to 5-Pin XLR Conversion		
Conductor	3pin XLR Female (Out)	5pin XLR Male (In)
Ground/Shield	Pin 1	Pin 1
Data Compliment (- signal)	Pin 2	Pin 2
Data True (+ signal)	Pin 3	Pin 3
Not Used		Do Not Use
Not Used		Do Not Use

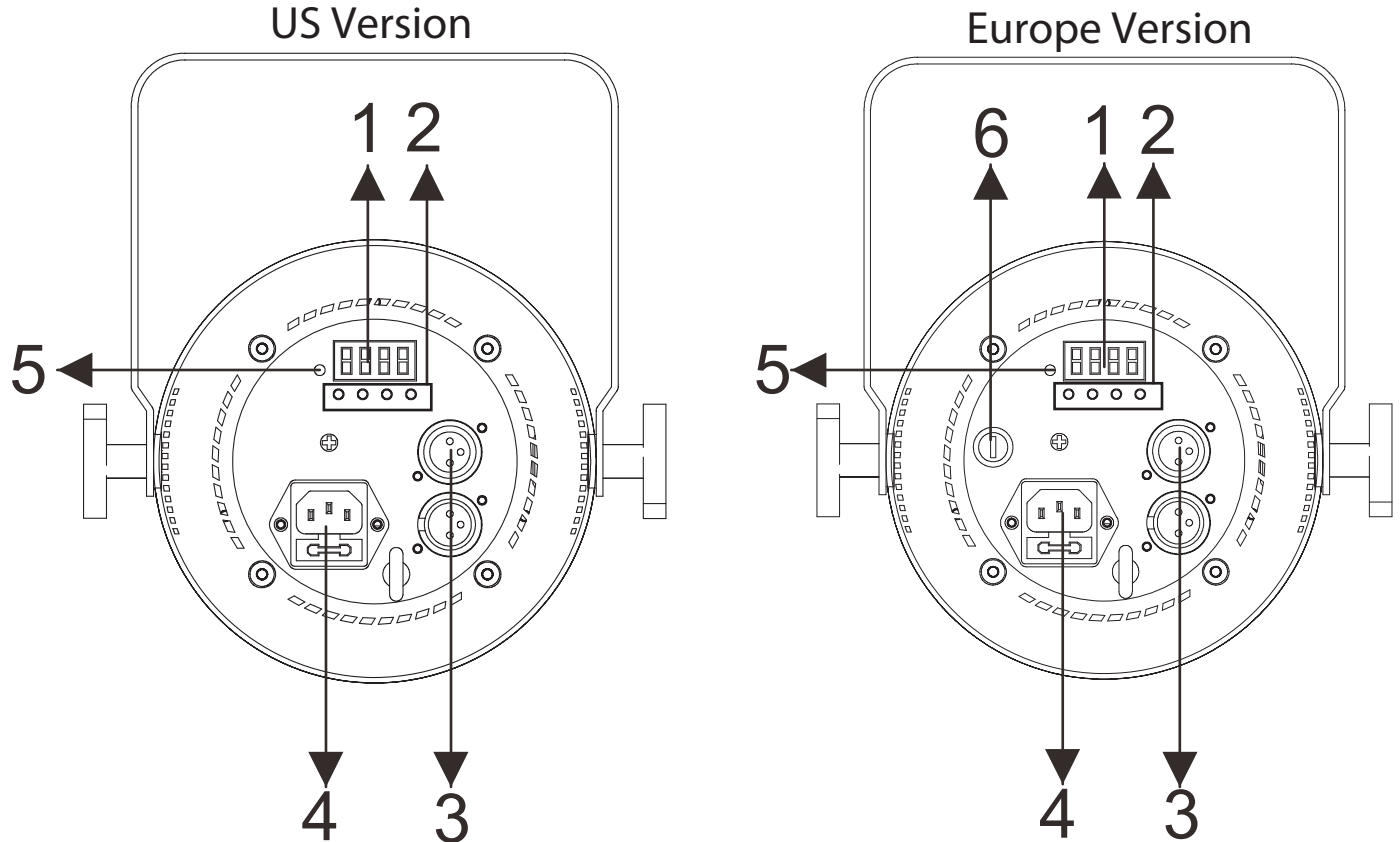
All fixtures should be given a DMX starting address when using a DMX controller, so the correct fixture responds to the correct control signal. This digital starting address is the channel number from which the fixture starts to “listen” to the digital control signal sent out from the DMX controller. The assignment of this starting DMX address is achieved by setting the correct DMX address on the digital control display on the fixture.

You can set the same starting address for all fixtures or a group of fixtures, or set different addresses for each individual fixture. Setting all fixtures to the same DMX address will cause all fixtures to react in the same way, in other words, changing the settings of one channel will affect all the fixtures simultaneously.

If you set each fixture to a different DMX address, each unit will start to “listen” to the channel number you have set, based on the quantity of DMX channels of each fixture. That means changing the settings of one channel will only affect the selected fixture.

In the case of the Rayzer, when in 5 Channel you should set the starting DMX address of the first unit to 1, the second unit to 6 (5 + 1), the third unit to 11 (6 + 5), and so on. (See chart below for more details.)

Channel mode	Unit 1 Address	Unit 2 Address	Unit 3 Address	Unit 4 Address
5 channels	1	6	11	16
8 channels	1	9	17	25
29 channels	1	30	59	88



1. Display: Used to show the various menus and the selected functions.

2. Buttons:

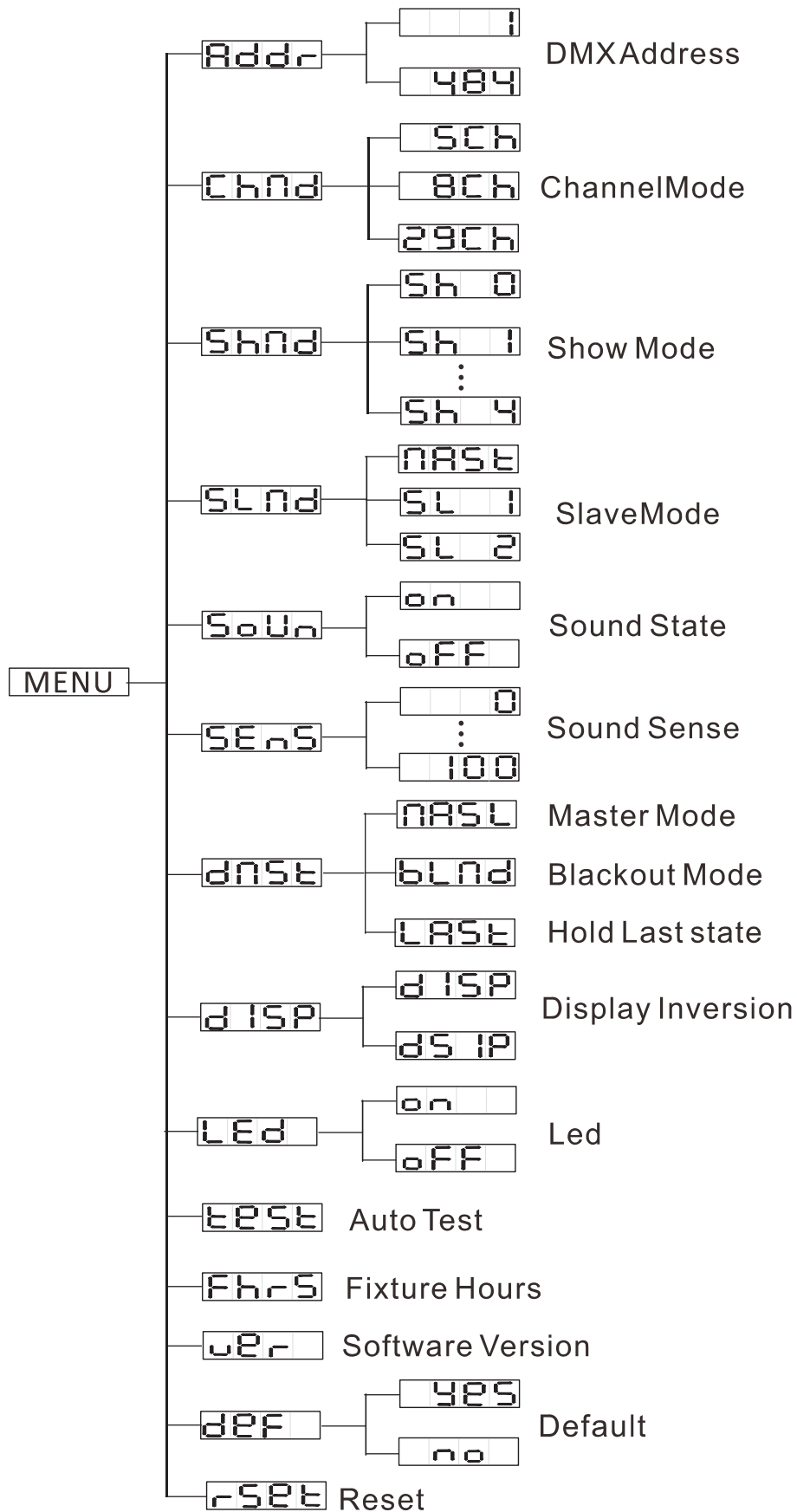
MENU	To select the programming functions
UP	To go forward in the selected functions
DOWN	To go backward in the selected functions
ENTER	To confirm the selected functions

3. DMX IN/OUT: DMX512 Connections. Use 3-Pin XLR cables to link the units together, or to connect a unit to a DMX controller.

4. POWER IN/FUSE (2Amp): The Power In socket is used to connect to a power source. The fuse protects the unit from any damage from over current.

5. Microphone: Receives music output while in Sound Active mode.

6. Key for Laser : This key is used to turn the Laser diode On/Off. (EU version only)



System Menu: When making adjustments press **ENTER** to confirm your setup then press and hold the **MENU** button for at least 3 seconds. To exit without making any adjustments press the **MENU** button. The display will lock after 30 seconds, press the **MENU** button for 3 seconds to unlock.

ADDR - DMX Address Setting.

1. Press the either the **MENU**, **UP**, or **DOWN** buttons until “**ADDR**” is displayed, press **ENTER**.
2. The current address will now be displayed and flashing. Press the **UP** or **DOWN** buttons to find your desired address. Press **ENTER** to set your desired DMX address.

CHND - This will let select your desired DMX channel mode.

1. Press the either the **MENU** button until “**CHND**” is displayed, press **ENTER**. The current channel mode will now be displayed.
2. Press the **UP** or **DOWN** buttons to find your desired DMX channel mode and press **ENTER** to confirm and exit.

SHND - Show modes 0-4 (Factory programs). Show mode can run with or without sound active mode active.

1. Press the **MENU** button until “**SHND**” is displayed, press **ENTER**.
2. “**Sh X**” will now be displayed, “**X**” representing a number between 0-4. Shows 1-4 are factory programs, while show “0” is random mode. Use the **UP** or **DOWN** buttons to find your desired show.
3. When you have found your desired show press **ENTER**, then press and hold the **MENU** button for at least 3 seconds to activate. After you have set your desired show, it can be changed at any time using the **UP** or **DOWN** buttons.

SLND - This will let you set unit as a master or slave in a master/slave configuration.

1. Press the **MENU** button until “**SLND**” is displayed, press **ENTER**. Either “**MAST**”, “**SL 1**”, or “**SL 2**” will be displayed.
2. Press the **UP** or **DOWN** buttons until your desired setting is displayed, press **ENTER** to confirm.

SOUN - Sound Active mode.

1. Press the **MENU** button until “**SOUN**” is displayed, press **ENTER**.
2. The display will show either “**ON**” or “**OFF**”. Press the **UP** or **DOWN** buttons to select “**ON**” to activate sound active mode, or “**OFF**” to deactivate sound active mode.
3. Press **ENTER** to confirm.

SENS - In this mode you can adjust the sound sensitivity.

1. Press the **MENU** button until “**SENS**” is displayed, press **ENTER**.
2. A number between 0-100 will be displayed. Press the **UP** or **DOWN** buttons to adjust the sound sensitivity. 0 being the least sensitive, and 100 being the most sensitive.
3. When you have found your desired setting press **ENTER** to confirm.

DNST - This mode is used as a precaution mode, that in case the DMX signal is lost, interrupted, or power is lost. The operating mode chosen in this setup is the running mode the fixture will go into when the DMX signal is lost. You can also set this as the operating mode you would like the unit to return to when power is applied.

1. Press the MENU button until “**DNST**” is displayed, and either “**MASL**”, “**BLND**”, or “**LAST**” will be displayed beneath.
2. Press ENTER and the bottom choice will begin to flash. Use the UP or DOWN buttons to choose an operating mode you would like the unit to start up in when power is applied or the DMX signal is lost.
 - **LAST** - If the DMX signal is lost the fixture will stay in the last DMX setting. If power is applied and this mode is set, the unit will automatically go into the last DMX set up.
 - **MASL** (Master Slave) - If the DMX signal is lost or power is applied, the unit will automatically go into Master Slave mode and run a built-in show.
 - **BLND** (Blackout) - If the DMX signal is lost or interrupted, the unit will automatically go into stand by mode.
3. Press ENTER to confirm your desired set up.

DISP - This function will reverse the display 180°.

1. Press the MENU button until “**DISP**” is displayed, press ENTER.
2. Press ENTER to “flip” the display. Press ENTER to “flip” it again.

LED - With this function you can have the LED display turn off after 10 seconds.

1. Press the MENU button until “**LED**” is displayed, press ENTER.
2. The display will show either “**ON**” or “**OFF**”. Press the UP or DOWN buttons to select “**ON**” to keep the LED display on at all times, or “**OFF**” to switch to have the LED display switch off after 10 seconds.
3. Press ENTER to confirm. To make you LED display reappear again press any button.

TEST - This function will run a self test program.

1. Press the MENU button until “**TEST**” is displayed, press ENTER.
2. The fixture will now run a self test.

FHRS - With this function you can display the running time of the unit.

1. Press the MENU button until “**FHRS**” is displayed, press ENTER.
2. The running time of the fixture will now be displayed. Press MENU to exit.

VER - Use this function to display the Software version of the unit.

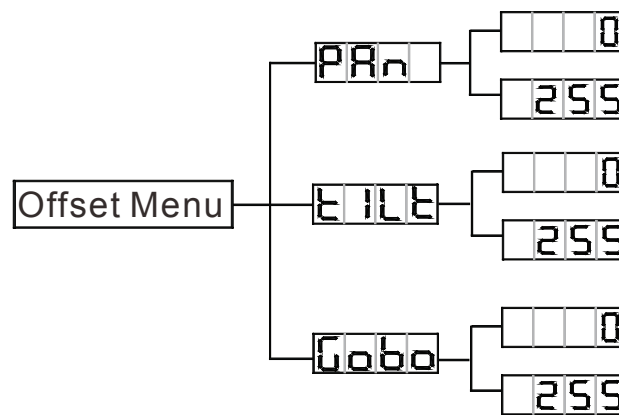
1. Press the either the MENU button until “**VER**” is displayed, press ENTER.
2. The display will show the software version.

DEF - Use this function to revert to default settings.

1. Press the MENU button until “DEF” is displayed, press ENTER.
2. Either “YES” or “NO” will now be displayed. To revert to default setting press the UP or DOWN button until “YES” is displayed and press ENTER.

RSET - Use this function to reset the unit.

1. Press the MENU button until “RSET” is displayed, press ENTER.
2. The fixture will now reset.



To enter the Offset Menu, press the ENTER button for at least 3 seconds. In this submenu you are able to adjust the home position of the pan, tilt, and gobo.

Pan - Adjustment of the pan home position.

1. Press the ENTER button for at least 3 seconds, then press the UP or DOWN buttons so that “Pan” is displayed, press ENTER.
2. Use the UP and DOWN buttons to make your adjustments, and then press ENTER to confirm. Press the MENU button to exit.

TILT - Adjustment of the tilt home position.

1. Press the ENTER button for at least 3 seconds, then press the UP or DOWN buttons so that “Tilt” is displayed, press ENTER.
2. Use the UP and DOWN buttons to make your adjustments, and then press ENTER to confirm. Press the MENU button to exit.

Gobo - Adjustment for the gobo projection.

1. Press the ENTER button for at least 3 seconds, then press the UP or DOWN buttons so that “Gobo” is displayed, press ENTER.
2. Use the UP and DOWN buttons to make your adjustments, and then press ENTER to confirm. Press the MENU button to exit.

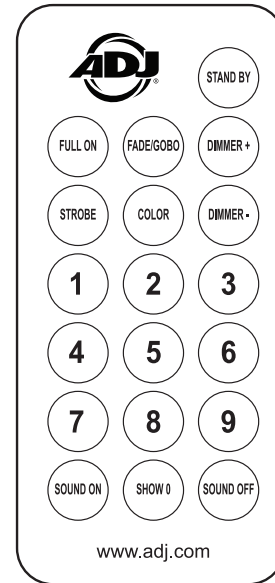
Master-Slave Set Up This function will allow you to link up to 16 units together and operate without a controller. In a Master-Slave set up one unit will act as the controlling unit and the others will react to the controlling units programs. Any unit can act as a Master or as a Slave.

1. Using approved DMX data cables, daisy chain your units together via the XLR connector on the rear of the units. Remember the Male XLR connector is the input and the Female XLR connector is the output. The first unit in the chain (master) will use the female XLR connector only - The last unit in the chain will use the male XLR connector only. For longer cable runs we suggest a terminator at the last fixture.
2. On the master unit press the MENU button until “**SLND**” is displayed, and press ENTER. Use the UP and DOWN buttons to scroll to the “**MAST**” setting and press ENTER.
3. After setting the master unit, find your desired operating mode.
4. On the slave units press the MENU button until “**SLND**” is displayed, and press ENTER. Choose either “**SL 1**” or “**SL 2**” and press ENTER.
5. The slave units will now follow the master unit.

The **ADJ UC IR** (not included) infrared remote gives you control of various functions (See below). To control the Rayzer you must aim the remote at the front of the fixture and be no more than 30 feet away.

The **ADJ Airstream IR** remote transmitter (not included) plugs into the headphone jack of your iOS phone or tablet. To control your IR fixture you must raise the volume to the maximum on your iOS phone or tablet and aim the transmitter at the fixture sensor and be no more than 15 feet away. After you have purchased the Airstream IR transmitters, the app is a free download from the app store for your iOS phone or tablet. The app comes with 3 pages of control depending on the fixture you are using. Please see below for IR functions including the corresponding app page.

		Stand by
Full ON	Fade/Gobo	
Strobe	Color	
1	2	3
4	5	6
7	8	9
SoundOn	Show 0	SoundOff



Works with App page 1

STAND BY

Pressing this button will blackout the fixture. Press the button again to return to the original state.

FULL ON

Press this button down to fully light up the unit. Release this button to return to the original state.

FADE/GOBO

This button is invalid for this unit.

DIMMER “+” and DIMMER “-”

Use these buttons to adjust the output intensity.

STROBE

Press and hold this button to activate strobing.

COLOR

Press this button and use buttons 1-4 to select your desired color.

1-9

Buttons 1-4 are used with the Color button to select your desired color.

SOUND ON & OFF

These buttons are used to activate and deactivate sound active mode.

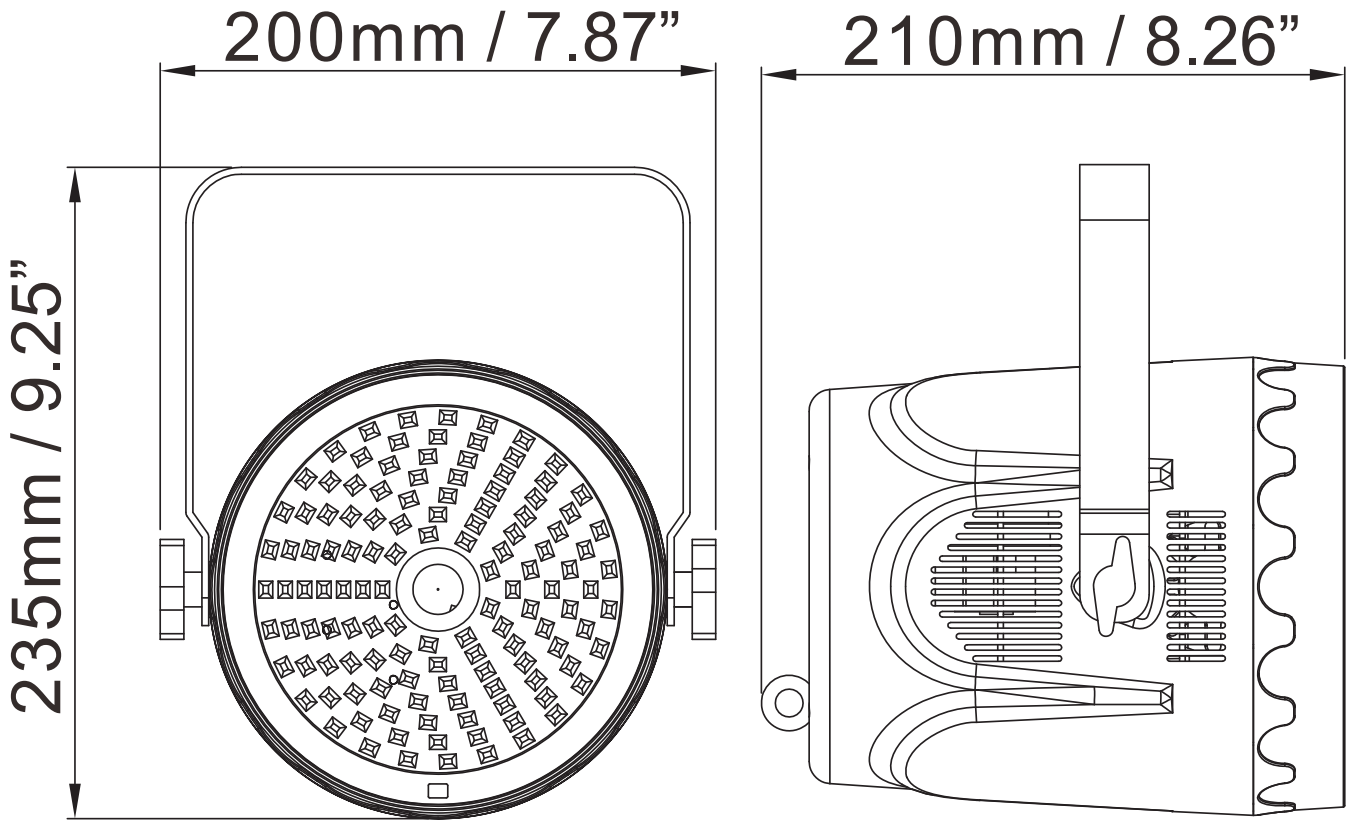
SHOW 0

Press this button to activate Show 0. Use numbers 1-9 to select shows 1-9.

5 Channels	8 Channels	29 Channels	Values	Functions
		1	000 - 127 128 - 255	<u>Red Ring 1:</u> Off On
		2	000 - 127 128 - 255	<u>Green Ring 1:</u> Off On
		3	000 - 127 128 - 255	<u>Blue Ring 1:</u> Off On
		4	000 - 127 128 - 255	<u>Red Ring 2:</u> Off On
		5	000 - 127 128 - 255	<u>Green Ring 2:</u> Off On
		6	000 - 127 128 - 255	<u>Blue Ring 2:</u> Off On
		7	000 - 127 128 - 255	<u>Red Ring 3:</u> Off On
		8	000 - 127 128 - 255	<u>Green Ring 3:</u> Off On
		9	000 - 127 128 - 255	<u>Blue Ring 3:</u> Off On
		10	000 - 127 128 - 255	<u>Red Ring 4:</u> Off On
		11	000 - 127 128 - 255	<u>Green Ring 4:</u> Off On
		12	000 - 127 128 - 255	<u>Blue Ring 4:</u> Off On
		13	000 - 127 128 - 255	<u>Red Ring 5:</u> Off On
		14	000 - 127 128 - 255	<u>Green Ring 5:</u> Off On
		15	000 - 127 128 - 255	<u>Blue Ring 5:</u> Off On
		16	000 - 127 128 - 255	<u>Red Ring 6:</u> Off On

5 Channels	8 Channels	29 Channels	Values	Functions
		17	000 - 127 128 - 255	<u>Green Ring 6:</u> Off On
		18	000 - 127 128 - 255	<u>Blue Ring 6:</u> Off On
		19	000 - 127 128 - 255	<u>Red Ring 7:</u> Off On
		20	000 - 127 128 - 255	<u>Green Ring 7:</u> Off On
		21	000 - 127 128 - 255	<u>Blue Ring 7:</u> Off On
		22	000 - 127 128 - 255	<u>Red Laser:</u> Off On
		23	000 - 127 128 - 255	<u>Green Laser:</u> Off On
		24	000 - 127 128 - 255	<u>Blue Laser:</u> Off On
	1		000 - 127 128 - 255	<u>All Red:</u> Off On
	2		000 - 127 128 - 255	<u>All Green:</u> Off On
	3		000 - 127 128 - 255	<u>All Blue:</u> Off On
1	4	25	000 - 015 016 - 031 032 - 047 048 - 063 064 - 079 080 - 095 096 - 111 112 - 127 128 - 143 144 - 159 160 - 175 176 - 191 192 - 207 208 - 223 224 - 239 240 - 255	<u>Laser Patterns:</u> Off Pattern 1 Pattern 2 Pattern 3 Pattern 4 Pattern 5 Pattern 6 Pattern 7 Pattern 8 Pattern 9 Pattern 10 Pattern 11 Pattern 12 Pattern 13 Pattern 14 Pattern 15

5 Channels	8 Channels	29 Channels	Values	Functions
2	5	26	000 - 255	<u>Laser Pattern Speed</u> Slow - Fast
3	6	27	000 - 015 016 - 031 032 - 047 048 - 063 064 - 079 080 - 095 096 - 111 112 - 127 128 - 143 144 - 159 160 - 175 176 - 191 192 - 207 208 - 223 224 - 239 240 - 255	<u>LED Ring Patterns:</u> Off Pattern 1 Pattern 2 Pattern 3 Pattern 4 Pattern 5 Pattern 6 Pattern 7 Pattern 8 Pattern 9 Pattern 10 Pattern 11 Pattern 12 Pattern 13 Pattern 14 Pattern 15
4	7	28	000 - 255	<u>LED Ring Pattern Speed</u> Slow - Fast
5	8	29	000 - 015 016 - 031 032 - 047 048 - 063 064 - 079 080 - 095 096 - 111 112 - 127 128 - 189 190 - 193 194 - 255	<u>Laser Gobos:</u> Gobo 1 Gobo 2 Gobo 3 Gobo 4 Gobo 1 Shake Gobo 2 Shake Gobo 3 Shake Gobo 4 Shake Scrolling Effect Fast - Slow Stop Scrolling Effect Slow - Fast



Disconnect the unit from its power source. Remove the power cord from the unit. Once the cord has been removed, you will find that the fuse holder is located inside the power socket. Insert a flat-head screw driver into the power socket and gently pry out the fuse holder. Remove the bad fuse and replace with a new one. The fuse holder also has a holder for a spare fuse.

Listed below are a few common problems the user may encounter, with solutions.

Unit not responding to DMX:

1. Check that the DMX cables are connected properly and are wired correctly (pin 3 is “hot”; on some other DMX devices pin 2 may be ‘hot’). Also, check that all cables are connected to the right connectors; it does matter which way the inputs and outputs are connected.

Due to fog residue, smoke, and dust cleaning the internal and external optical lenses must be carried out periodically to optimize light output.

1. Use normal glass cleaner and a soft cloth to wipe down the outside casing.
2. Clean the external optics with glass cleaner and a soft cloth every 20 days.
3. Always be sure to dry all parts completely before plugging the unit back in. Cleaning frequency depends on the environment in which the fixture operates (i.e. smoke, fog residue, dust, dew).

MANUFACTURER'S LIMITED WARRANTY

- A. ADJ Products, LLC hereby warrants, to the original purchaser, ADJ Products, LLC products to be free of manufacturing defects in material and workmanship for a prescribed period from the date of purchase (see specific warranty period on reverse). This warranty shall be valid only if the product is purchased within the United States of America, including possessions and territories. It is the owner's responsibility to establish the date and place of purchase by acceptable evidence, at the time service is sought.
- B. For warranty service you must obtain a Return Authorization number (RA#) before sending back the product—please contact ADJ Products, LLC Service Department at 800-322-6337. Send the product only to the ADJ Products, LLC factory. All shipping charges must be pre-paid. If the requested repairs or service (including parts replacement) are within the terms of this warranty, ADJ Products, LLC will pay return shipping charges only to a designated point within the United States. If the entire instrument is sent, it must be shipped in its original package. No accessories should be shipped with the product. If any accessories are shipped with the product, ADJ Products, LLC shall have no liability whatsoever for loss of or damage to any such accessories, nor for the safe return thereof.
- C. This warranty is void if the serial number has been altered or removed; if the product is modified in any manner which ADJ Products, LLC concludes, after inspection, affects the reliability of the product; if the product has been repaired or serviced by anyone other than the ADJ Products, LLC factory unless prior written authorization was issued to purchaser by ADJ Products, LLC; if the product is damaged because not properly maintained as set forth in the instruction manual.
- D. This is not a service contract, and this warranty does not include maintenance, cleaning or periodic check up. During the period specified above, ADJ Products, LLC will replace defective parts at its expense with new or refurbished parts, and will absorb all expenses for warranty service and repair labor by reason of defects in material or workmanship. The sole responsibility of ADJ Products, LLC under this warranty shall be limited to the repair of the product, or replacement thereof, including parts, at the sole discretion of ADJ Products, LLC. All products covered by this warranty were manufactured after August 15, 2012, and bear identifying marks to that effect.
- E. ADJ Products, LLC reserves the right to make changes in design and/or improvements upon its products without any obligation to include these changes in any products theretofore manufactured.

No warranty, whether expressed or implied, is given or made with respect to any accessory supplied with products described above. Except to the extent prohibited by applicable law, all implied warranties made by ADJ Products, LLC in connection with this product, including warranties of merchantability or fitness, are limited in duration to the warranty period set forth above. And no warranties, whether expressed or implied, including warranties of merchantability or fitness, shall apply to this product after said period has expired. The consumer's and/or Dealer's sole remedy shall be such repair or replacement as is expressly provided above; and under no circumstances shall ADJ Products, LLC be liable for any loss or damage, direct or consequential, arising out of the use of, or inability to use, this product.

This warranty is the only written warranty applicable to ADJ Products, LLC Products and supersedes all prior warranties and written descriptions of warranty terms and conditions heretofore published.

MANUFACTURER'S LIMITED WARRANTY PERIODS:

Non L.E.D. Lighting Products = 1-year (365 days) Limited Warranty (Such as: Special Effect Lighting, Intelligent Lighting, UV lighting, Strobes, Fog Machines, Bubble Machines, Mirror Balls, Par Cans, Trussing, Lighting Stands etc. excluding LED and lamps)

Laser Products = 1 Year (365 Days) Limited Warranty (excludes laser diodes which have 6 month limited warranty)

L.E.D. Products = 2-year (730 days) Limited Warranty (excluding batteries which have a 180 day limited warranty)

Note: 2 Year Warranty only applies to purchases within the United States.

StarTec Series = 1 Year Limited Warranty (excluding batteries which have a 180 day limited warranty).

ADJ DMX Controllers = 2 Year (730 Days) Limited Warranty

Specifications

Voltage:	100V ~ 240V/50~60Hz
LEDs:	126 x 0.2W SMD 3-in-1 RGB LED's
Lasers:	Red, Green, & Blue Laser Diodes
Working Position:	Any safe working position
Power Draw:	53W
Fuse:	1A
Weight:	4.63 lbs./ 2.1 Kgs.
Dimensions:	8.26" (L) x 7.87" (W) x 9.25" (H) 210 x 200 x 235mm
Colors:	RGB
DMX Modes:	5 / 8 / 29
Warranty:	2 Year (730 days)

Please Note: Specifications and improvements in the design of this unit and this manual are subject to change without any prior written notice.

FCC STATEMENT

This device complies with Part 15 of the FCC Rules. Operation is subject to the following two conditions: (1) this device may not cause harmful interference, and (2) this device must accept any interference received, including interference that may cause undesired operation.

FCC RADIO FREQUENCY INTERFERENCE WARNINGS & INSTRUCTIONS

This product has been tested and found to comply with the limits as per Part 15 of the FCC Rules. These limits are designed to provide reasonable protection against harmful interference in a residential installation. This device uses and can radiate radio frequency energy and, if not installed and used in accordance with the included instructions, may cause harmful interference to radio communications. However, there is no guarantee that interference will not occur in a particular installation. If this device does cause harmful interference to radio or television reception, which can be determined by turning the device off and on, the user is encouraged to try to correct the interference by one or more of the following methods:

- Reorient or relocate the device.
- Increase the separation between the device and the receiver.
- Connect the device to an electrical outlet on a circuit different from which the radio receiver is connected.
- Consult the dealer or an experienced radio/TV technician for help.

ADJ PRODUCTS LLC USA

6122 S. Eastern Ave. Los Angeles, CA. 90040
323-582-2650 | Fax 323-532-2941 | www.adj.com | info@adj.com

ADJ SUPPLY Europe B.V

Junostraat 2 6468 EW Kerkrade, The Netherlands
+31 (0)45 546 85 00 | Fax +31 45 546 85 99
www.adj.eu | info@americandj.eu

ADJ PRODUCTS GROUP Mexico

AV Santa Ana 30 Parque Industrial Lerma, Lerma, Mexico 52000
+52 (728) 282-7070

Follow Us On:



facebook.com/americandj
twitter.com/americandj
youtube.com/adjlighting