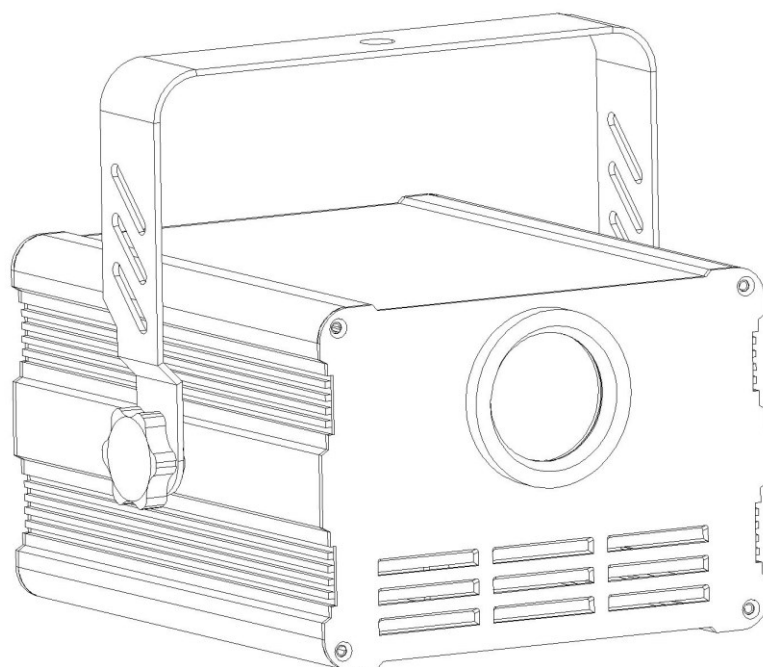


1000mW RGB Animation Laser Light

User Manual

INVOLIGHT



LS1000D

Please read this manual carefully before use!

Contents

Introduction	P2
Silkscreen on product	P3
Safety instruction/Installation/Technical specification	P4
MENU	P5
DMX512 Channel	P5-6
DMX512 connection	P6
DMX address setting/Ringing	P7
Cleaning and maintenance/Warning	P8
Warranty card	P9

Introduction

Thank you for purchasing this product. To optimize the performance of this product, prior to use, please read these operating instructions carefully to familiarize yourself with the basic operation of this unit. Please keep the manual in safe place for future reference.

This unit has been tested at our factory before being shipped to you, there is no assembly required.

Once after received this product, please take and put carefully. And check cautiously that whether the product was damaged or not during the transportation.

Checking Parts

Please check if the following parts are included:

1 x Laser light

1 x User manual

1 x Power cable

Caution

CAUTION!



Keep this device away from rain and moisture!



Unplug mains lead before opening the housing!



Warning!

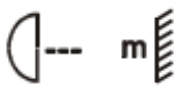
Damages caused by the disregard of this user manual are not subject to warranty. The dealer will not accept liability for any resulting defects or

Symbol Instruction On The Device

CE Certificate

Only indoor use

Environmental protection

The minimum distance from lighted objects(meter)

$T_a = \text{---} \text{ } ^\circ \text{C}$ Max. Ambient Temp

$T_B = \text{---} \text{ } ^\circ \text{C}$ Max. Housing Temp

 Safety caution

Careful burns


Careful electric shock

Not suitable for directly installed on the surface of ordinary combustible materials

Safety Instructions

- Please open and check whether break or not for transport once receive this fixture, if yes, not use it and contact dealer or manufacture as soon as possible.
- The Max applicable temperature for the light is 40°C. Do not use the light under or above the temperature. $t_a=40^{\circ}\text{C}$
- The fixture is applicable for many occasions, it should keep clean, and avoid long use in overheating or dusty environment. To prevent the fixture from the chemical liquid .
- User must be careful of fire, heat, electric and fall-off that make heavy or fatal injury. Please read this user manual carefully before power on and installation, following safety and operation instruction in it. If still have any questions, please contact dealer or manufacture.
- User must following this user manual, do not open fixture by yourself, if any problems, please contact professional technician, maintenance should by technician.

Do not power on or start the fixture before installation, please stop after working more than 8 hours, which will longer use life.

- Fixed installation, do not by strong shocks.
- The minimum distance between light and the illuminated surface must be more than 1 meter. 
- Never look directly into the light source to avoid hurt to eyes (especially epileptics)!
When dustproof glass at light output breaks, cracks or other visible damage, user should replace with new glass to continue to use.

Installation

- When install this equipment please make sure there's no flammable surfaces (decorated things, etc) and minimum distance of 0.5M from the equipment to the flammable.



- The installation of the effect has to be built and constructed in a way that it can hold 10 times the weight and without any harming deformation.
- The installation must always be secured with a secondary safety attachment, e.g. an appropriate safety rope. Never stand directly below the device when mounting, removing or servicing the fixture.

Technical Specifications

Input voltage: AC100-240V, 50/60Hz

Fuse: BGDP \varnothing 5x20mm 250VAC F2A

Total power:22W

Light source: 1000mW(R:250mW/638nm+G:100mW/532nm+B:700mW/450nm)

Control mode: Auto/Sound/DMX512/Master-slave/Master-slave

Channels: 13CH

Scanning system: 15Kpps Scanner, $\pm 30^\circ$

51 internal patterns for show

Surface temp: $T_b=45^\circ\text{C}$ (this data testing when the environment temp is 30°C)

Working temp: $10^\circ\text{C--}65^\circ\text{C}$

Modulation: TTL

N.W: 2.4Kg

Product size: 188*193*173mm

Laser control system

1. MENU display

MENU	Display	Function
Addr	1-512	DMX address setting
AUTO	0-9	Auto mode
SOUN		Sound mode

DMX Channel Instructions

Channel	Function	Value	Details
CH1	Control mode	0-9	No function
		10-99	Auto mode
		100-149	Sound mode
		150-199	DMX mode
CH2	Patterns option	0-255	Patterns option
CH3	Gobos size	0-63	Gobos size option
		64-127	Gobos speed option from small to large
		128-191	Gobos speed option from larger to small
		192-255	Zoom speed size option
CH4	Centre move	0-127	Rotation angle option
		128-191	Clockwise rotation speed option
		192-255	Anti-clockwise rotation speed option
CH5	Gobos Horizontal Move	0-127	Gobos Pan rotation position option
		128-255	Gobos Pan rotation speed option
CH6	Gobos Vertical Move	0-127	move with manual adjust
		128-255	auto move top-down circularly
CH7	Pan move	0-127	Pan position option
		128-255	Pan move speed option
CH8	Tilt move	0-127	Tilt position option

CH8	Tilt move	128-255	Tilt move speed option
CH9	Wave	0-1	No function
		2-127	Wave phase option
		128-255	Wave range and speed option
CH10	Gobos drawing	0-9	no drawing
		10-63	gradual drawing by manual adjust
		64-127	auto gradual drawing (increasing)
		128-191	auto gradual drawing (decreasing)
		192-255	auto gradual drawing circularly
CH11	Color control	0-127	Color fixed
		128-159	Eotic color change without subsection
		160-191	Eotic color change mode 1 with subsection
		192-223	Eotic color change mode 2 with subsection
		224-225	Eotic color change mode 3 with subsection
CH12	Color change and speed	0-9	Color no change
		10-255	Color change speed from slow to fast
CH13	Display	0-63	Normal display
		64-127	Brightness dot display
		128-255	Dot display

DMX-512 connection

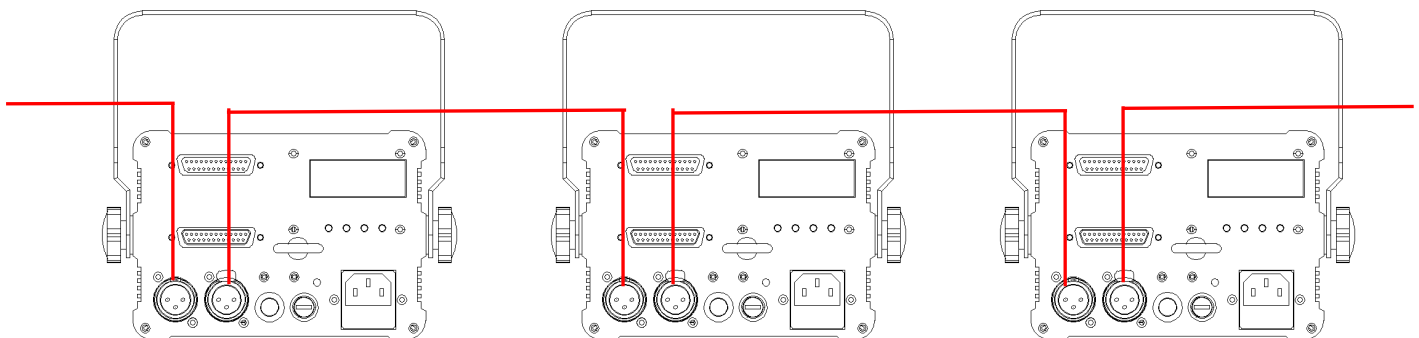
DMX output



DMX Input



1: Ground
2: Signal (-)
3: Signal (+)



**DMX In
First light (Address 001)**

Second light (Address 014)

**To the fourth
Third light(Address 017)**

DMX Address setting

Each fixture must set a specific starting address. When receiving signal transmission, fixture will receive channel control signals which from the starting address.

According to different requirements or easy to use, the user can set many value fixtures to the same address, also can set up a separate address for every device.

If you set the same address, all the devices will receive from DMX channels signal. All connecting fixtures are jointly controlled, controller can't separate control a device.

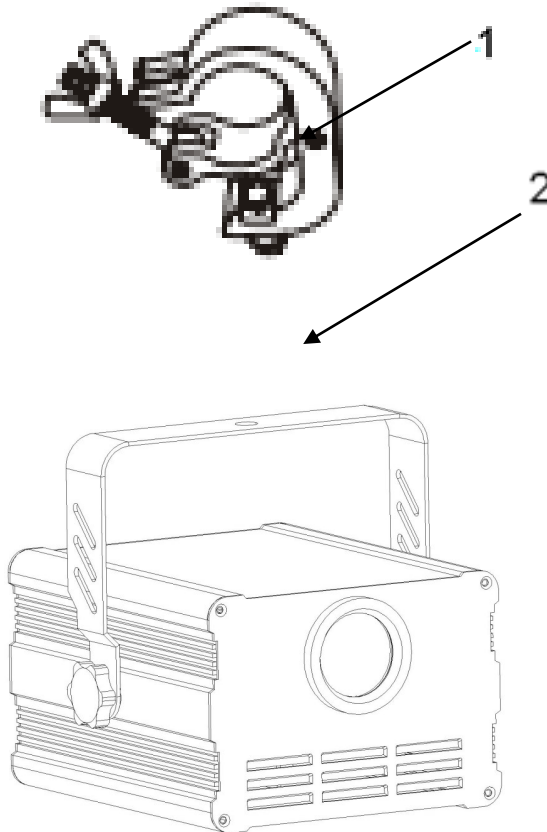
If you set a different address, each device will be separate from its particular set the starting address and begin accepting DMX512 control signal, so that more convenient separate control one device. Using this method must be based on channel quantity of device to determine a starting address.

This laser light has 13 channels. you should set the starting address of the first unit to 1, the second unit to 14 ($1 + 13$), the third unit to 17 ($13 \times 2 + 1$), and so on.

Ringing

1 Mounting bracket

2 Handle



A). The ambient temperature range is 1°C -- 45°C , must never be exceeded.

B). The installation of the projector has to be built and constructed in a way that it can hold 10 times the weight for 1 hour without any harming deformation.

C)). When rigging or servicing the fixture staying in the area below the installation

place, on bridges, under high working places and other endangered areas is forbidden.

D). The operator has to make sure that safety-relating and machine-technical installations are approved by an expert before taking into operation for the first time and after changes before taking into operation another time.

E). The operator has to make sure that safety-relating and machine-technical installations are approved by a skilled person once a year.

F). Sure M8 screws on mounting bracket fixed middle hole $\phi 12.5\text{mm}$ of handle

Cleaning and maintenance

Maintenance should be performed every 15-day period, by using a sponge which is dipped with alcohol, rather than wet cloth or other chemical liquid, to clean the mirror. Always disconnect from the mains when the device is not in use or before cleaning it.



Caution

Make sure power off before cleaning and maintenance!

Warning



Warning!

Never look directly into the light source, as sensitive persons may suffer an epileptic shock (especially meant for epileptics)!



Warning!

Any power connected must be by professional person

Warranty Card

This product is made of high-brightness transistor. We will provide 1 year warranty under the condition that user has operated the light normally and lifetime service. We won't provide warranty if the damage is caused by artificial or force majeure event. Cost of fittings should be charged by user if product need maintenance after 1 year .Please cut this warranty card and shipped it along with the product to our factory when applying for warranty.

Product:

Purchasing date:

Code of invoice:

Warranty date: From

To

User's name:

Add:

Company:

Tel: