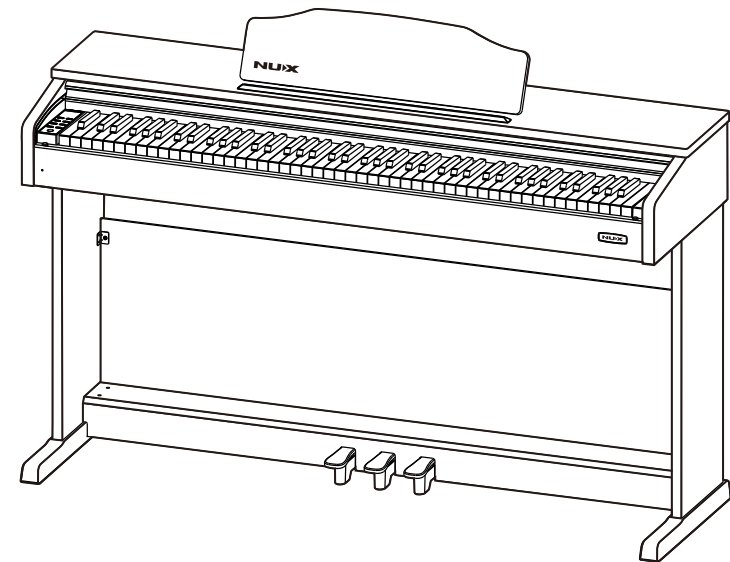


Smart Digital Piano
WK-400
WK-400(B)
Owner's Manual

NUX



Cherub Technology Co.,Ltd.

Add: No.10, Keji No. 9 Rd, Tangjiawan Town, Zhuhai National Hi-tech industrial Development Zone, Zhuhai City, Guangdong Province, China, 519080

Tel: +86 756 3689866

E-mail: info@cherubtechnology.com



www.nuxefx.com

Cherub Technology Co.,Ltd.

Copyright 2018 Cherub Technology Co., Ltd. All rights reserved.

Strictly prohibit reproducing or spreading any part of this publication in any manner without the authorization of Cherub Technology Co., Ltd.

SAFETY GUIDELINE

Before using this unit, please carefully read "SAFELY PRECAUTIONS".

After reading, please keep the manual where it will be available for future reference.

⚠ WARNING

In case of getting seriously injured or killed because of electric shock, short circuit, damage, fire or other dangers, please obey the following warnings. These warnings include but not limited to the following situations:

Power/Electric Cable

- * The rated voltage of this device is fixed. The required voltage is printed on the nameplate of this device.
- * Check the plug regularly, clean the dirt and ash piled up on the plug.
- * This digital piano only matches with the provided power cable and plug.
- * Please don't put electric cable beside heaters or radiators. Don't bend too much or cause damage to electric cable. Don't put any heavy stuff on the wire. Don't put it where it may be run over or trampled to make people stumble.

Do Not Open

- * Please do not open this device and try to dismantle inner components or transform it in any ways. This device does not include any components for users to fix. If you find any problems, please stop using and ask qualified NUX service staffs to examine and repair the device.

Warning about humidity

- * In case of any liquid splashing into the device, please do not get this device rained or use it nearby water, in a wet surrounding or put a container of liquid on it. If any liquid, like water, splashes into the instrument, please cut off power and pull out the electric cable from the AC socket immediately. Then ask qualified NUX service staffs to examine and repair the device.
- * Do not plug with wet hands.

Fire

- * Do not place any burning stuff, like candle, on the instrument. It may cause fire.
- * When sensing any unusual situations, such as worn away and damage of power cable, sound suddenly stops during playing and the smell and smoke it causes, please turn off the power immediately and pull out plug from the socket. Ask qualified NUX service staffs to examine and repair the device.

⚠ Attention

In case that people around you and you get injured or get loss of device and property, please obey the following basic instructions. These instructions include but not limited to following situations.

Power/Electric Cable

- * When pulling out plug from socket, please grab the plug instead of power cable. Drawing directly will cause damage to the power cable.
- * If not using the instruments for a long time or during a lighting storm, please pull out plug from the socket.
- * Do not connect the instrument to the socket by multiple connector, or it will lower the sound quality, or it will make socket overheat.

Assemble & Use

- * Please carefully read the attachment that explains the assemble process. If assembling the instrument in a wrong order, it will damage the instrument and hurt the user.
- * Please connect the external equipment while the digital piano is off.

- * Before using, please install the supporting screw and adjust it close to the ground, in case of trampling pedal.

Mount Position

- * In case of deformation of control panel and damage to inner components, please do not place this device in an environment with a lot of dirt, vibration, extreme cold and hot (such as, direct sunshine, closing to heater and inside a car under the burning sun)
- * Please do not use this device near the television, radio, stereo, cell phone or other electronic devices. This may make noise on the device itself and television or radio nearby.
- * Please do not put this device on unstable place, or it may cause a sudden fall down.
- * Before moving the device, please pull out all electric cables from the socket.
- * When you set this device, please confirm the AC socket going to be used is reachable. The device should be connected to the socket with protecting grounding connection. If you find any problems and questions, please immediately turn off the power and pull out the plug from the socket. Even though the power is turned off, there is still a small amount of electricity current flowing through it. If you decide not using this device for a long time, please pull out the plug from AC socket.
- * This product uses all extreme power switch as a device to cut off from network power. The power switch button is on the right side of the keyboard. When the power button is pressed, it is switched on. When the power button is released, it is switched off.

★ The graphic and screen in this hand book is only for introduction purpose. It may be different from the instrument you buy.

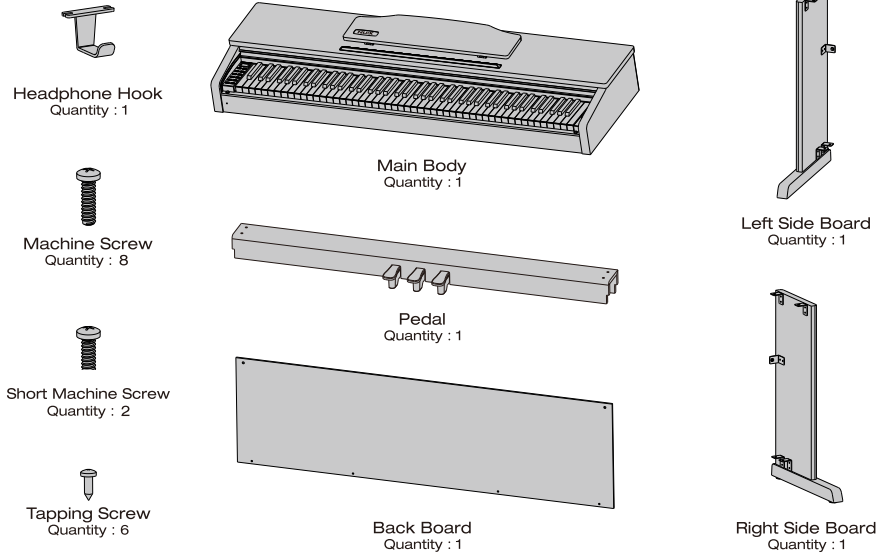
Catalogue

Quick Installation Guide	07
Control Panel	11
Before You Play	12
Power On	12
Volume Control	12
Headphone Connection	13
Performing	13
Sound Control	13
Function Control	13
Dynamic Curve	14
Transposition	14
Dual Keyboard	15
Split Point	15
Dual Voice	16
Keyboard Percussion	16
Reverb	16
Chorus	17
Practicing	17
Metronome	17
Beat	17
Recording Function	18
Demo Songs	18

Teaching Function	19
USB MIDI Function	20
Audio Connection	20
Specification	21
Sound List	22
Demo Songs List	25
Trouble Shooting	27

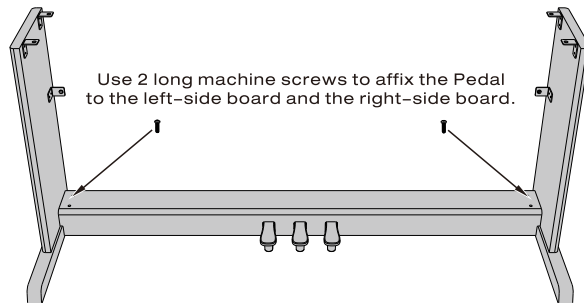
Quick Installation Guide

Assembly Components List

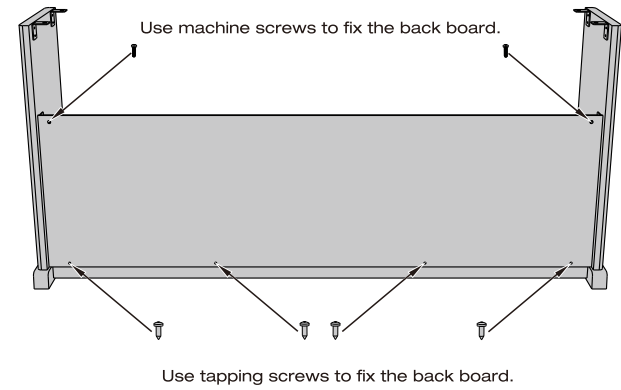


Mounting Components

1. Mount left side board, right side board and pedal.

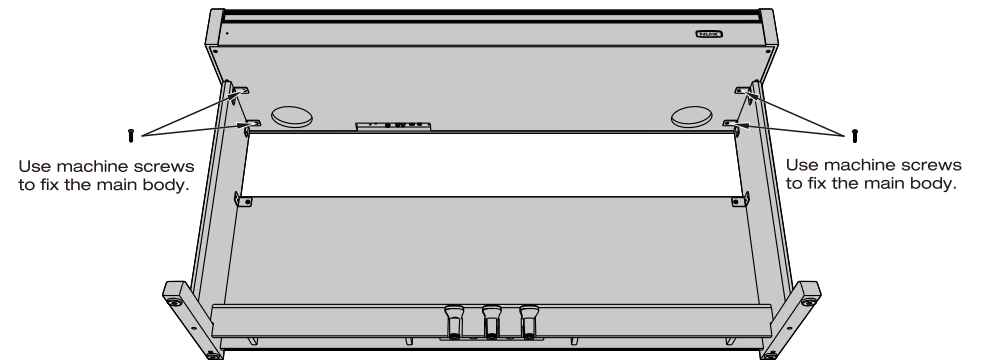


2. Mount back board.



Use 2 short machine screws and 4 tapping screws to affix the back board to the stands.

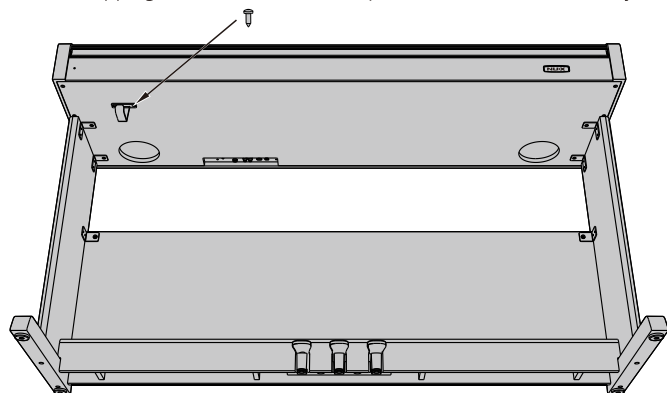
3. Mount main body.



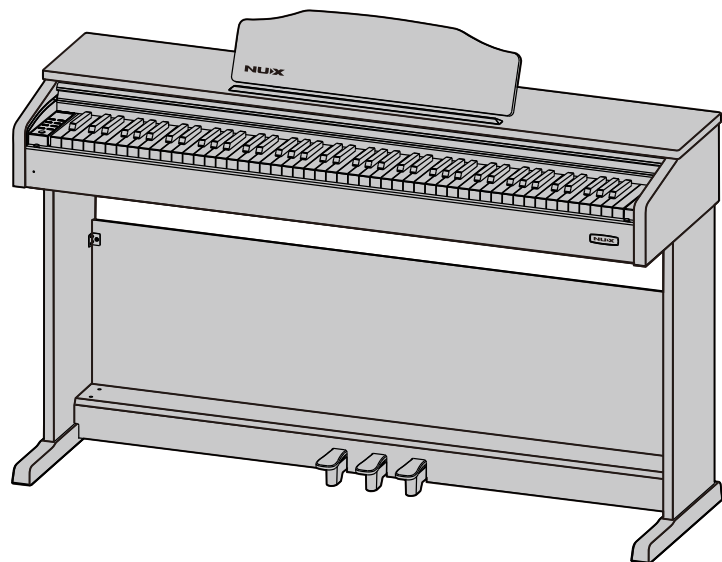
Use 4 long machine screws to affix the main body onto the stands.

4. Mount headphone hook.

Use 1 tapping screw to affix the headphone hook to the main body.



5. Installation complete.



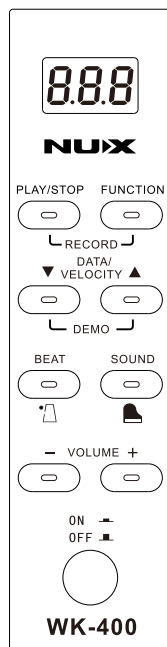
Thank you for choosing NUX Digital Piano. No matter you are a student, piano hobbyist or a professional player, this digital piano will impress you with its perfect sound and fashion design. It can be competent with piano studying, music listening, MIDI production, which satisfies your entertainment demand. It also has grand hammer dynamics keyboard, making you express yourself easily.

For further information about this new digital piano, we suggest you should read this hand book carefully in order to make full use of its advanced and convenient functions. Meanwhile, we also suggest you should keep this hand book well for reference in the future.

If you like NUX digital piano, please recommend NUX to your friends.

Control Panel

Front Control Panel



Back Panel Interface



Power Supply

Connect to a power adapter (DC 12V, 2000mA, \ominus \oplus)

USB MIDI Jack

Connect the computer to the USB MIDI Jack in the back panel to get MIDI Production Function.

INPUT R/L Jacks

Connect the external instrument/audio device to the built-in speaker system.

OUTPUT R/L Jacks

Connect the digital piano to a peripheral speaker system.

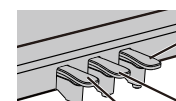
Headphone Jack

Standard stereo headphone jack(6.35mm). The built-in speaker system is invalid when this jack is connected.

Pedal Jack

Connect the pedal cable to this jack.

Pedal



Sostenuto Pedal

Use this pedal to sustain, Holding down this pedal, even if your fingers aren't touch any keys, will sustain your notes.

Sustaining Pedal

When you step down on this pedal, the notes you play will continue to produce sounds.

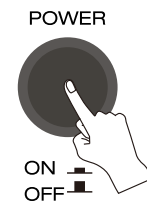
Sordine

This makes the sound soft pedal.

Before You Play

Power On

Connect the plug to a proper socket and then press the [POWER] button on the left side of the keyboard to turn on the power. The default sound is grand piano.



Volume Control

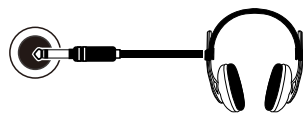
To adjust the master volume, please use the volume control buttons on the control panel.



Headphone Connection

Apart from the built-in speaker system, you can also connect a standard stereo headphone(6.35mm).

Headphone jack is on the backboard of the piano. The built-in speaker system doesn't work after connecting the headphone. Adjust the headphone volume by turning the [MASTER VOLUME] knob.

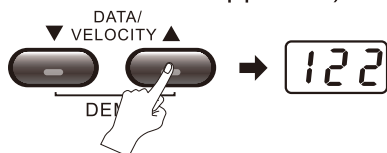


The built-in speaker system is invalid when the headphone is connected to this jack.

Performance

Sound Control

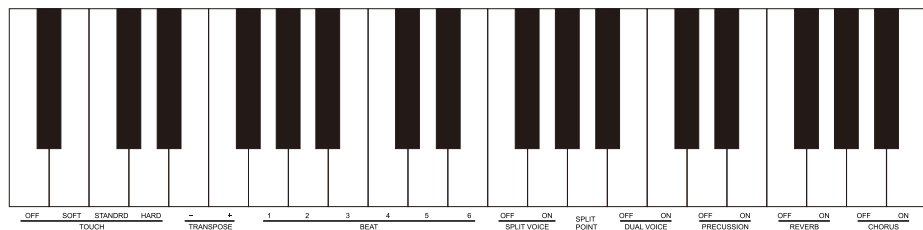
The default tone of WK-400(B) is grand piano (No. 000). USE [DATA/SPEED ▼/▲] buttons to select tones. (The complete tone lists is in the appendix).



When you select other tone, press [SOUND] button and the digital piano will return to grand piano tone immediately.

Function Control

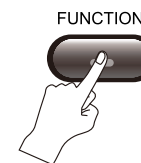
As a user-friendly instrument, all functions in this digital piano can be activated easily. Every function is corresponding to a key.



Function Activation: Press [FUNCTION] button, the indicator light turns on and function selection is activated. Press a key within 5 seconds to select corresponding function. Press [FUNCTION] button again or wait

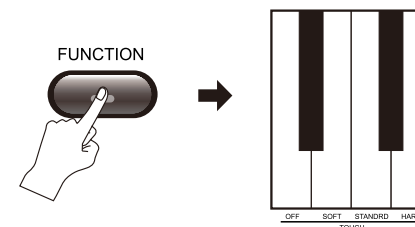
for 5 seconds without any operation, the indicator light will turn off and exit function setting status. Now you can play the digital piano according to the chosen function mode.

NOTE: Under the status of function setting, key pressing is soundless.



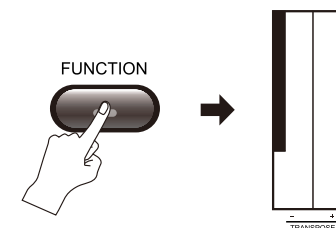
Dynamic Curve

This digital piano has 4 dynamic curves, which are soft, standard, hard, dynamic on/off. Press [FUNCTION] button and the indicator light turns on. Press corresponding dynamic key within 5 seconds to activate dynamic function. The default dynamic curve is standard.



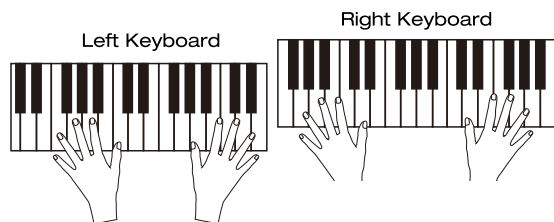
Transposition

This function can transpose a note to move up or down by 12 semitones within one octave range. Press [FUNCTION] button and indicator light turns on. Press [TRANS-POSITION+/-] key within 5 seconds to adjust pitch. Adjusting range: -12 to +12. Press [FUNCTION] button again or wait for 5 seconds without any operation, the indicator light will turn off and transposition select function turns off.

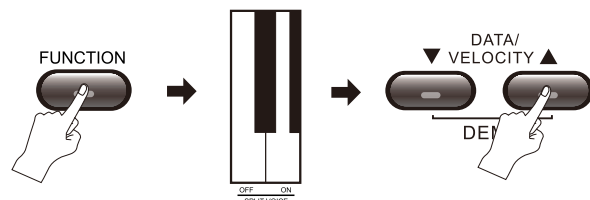


Dual Keyboard

This function can divide the keyboard into two individual playing zones.

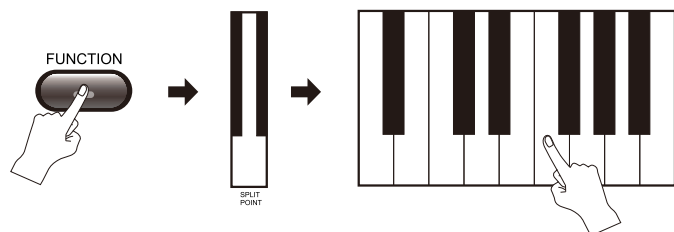


Before pressing [SPLIT] key, select sound for the left keyboard; Press [FUNCTION] button, the indicator light turns on, press [SPLIT] key within 5 seconds to enter split status. The keyboard is divided into two individual zones. The split point is F4. Select sound for the right side keyboard by [DATA/SPEED ▼/▲] buttons.



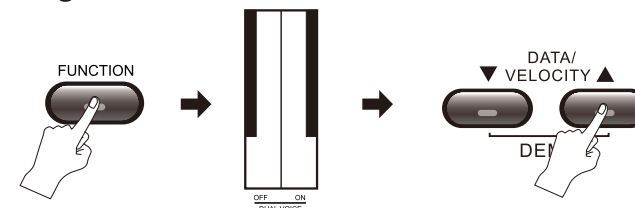
Split Point

Press [FUNCTION] button and the indicator light turns on. Press [SPLIT POINT] button within 5 seconds to enter split point setting status. Now press any key to be the split point; Press [FUNCTION] button again or wait for 5 seconds without any operation until the indicator light turns off, the split point is set.



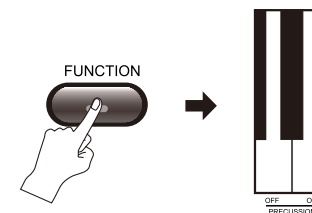
Dual Voice

When this function is turned on, playing one note can have two voices. Press [FUNCTION] button, indicator light turns on. Press [DUAL VOICE] key within 5 seconds to enter dual voice status. Select 2nd sound by [DATA/SPEED ▼/▲] button. 1st sound should be adjusted before entering dual voice status.



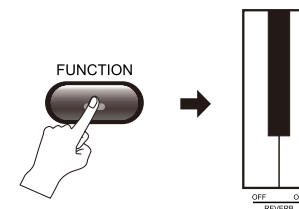
Keyboard Percussion

Press [FUNCTION] button and the indicator light turns on. Press [PERCUSSION ON] key within 5 seconds to activate keyboard percussion. Press [FUNCTION] button and the indicator light turns on. Press [PERCUSSION OFF] key within 5 seconds to turn off keyboard percussion function. The digital piano will return to the original sound.



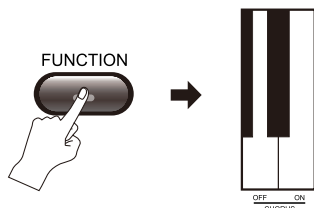
Reverb

Press [FUNCTION] button and the indicator light turns on. Press [REVERB ON] key within 5 seconds to activate reverb function and sound will have reverb effect. Press [FUNCTION] button and the indicator light turns on. Press [REVERB OFF] key within 5 seconds to turn off reverb effect . (The default setting is off.)



Chorus

Press [FUNCTION] button and the indicator light turns on. Press [CHORUS] key within 5 seconds to activate chorus function and sound will have chorus effect. Press [FUNCTION] button and the indicator light turns on. Press [CHORUS OFF] key within 5 seconds to turn off chorus function.(The default setting is off.)



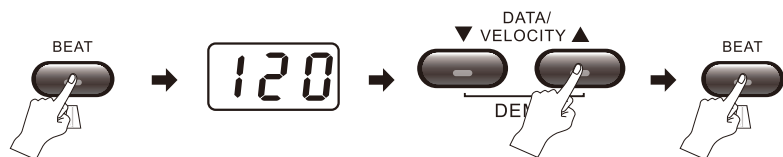
NOTE: All the settings will not be saved after power off. It will return to default setting when power on again.

Practicing

Metronome

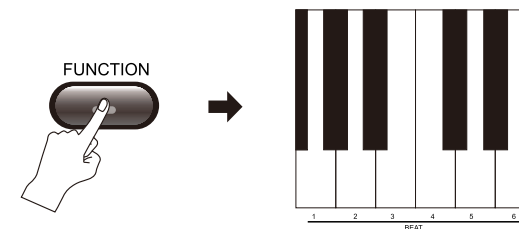
- 1) Press [BEAT] button. The indicator light turns on and the metronome function is activated. The default velocity is 120bpm.
- 2) Press [DATA/SPEED ▼/▲] button to set velocity: 20- 280bpm.
- 3) Press [BEAT] button again to exit metronome function. The current setting will be saved.

NOTE: The velocity will be back to the default value after restarting the digital piano.



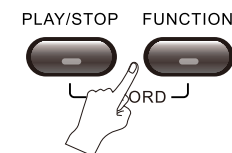
Beat

This digital piano has six kinds of beats, which are 1,2,3, 4,5,6. Press [FUNCTION] button and the indicator light turns on. Press corresponding key within 5 seconds to set beat. Press [FUNCTION] button again or wait for 5 seconds without any operation, the indicator light turns off, the beat is set.



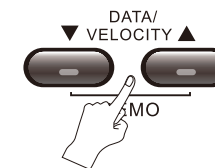
Recording Function

- 1) Press [PLAY/STOP] and [FUNCTION] keys simultaneously, The button light indicates the beginning of the recording. Simultaneously open the beat and metronome automatically, if not need to be manually closed.
- 2) Press [PLAY/STOP] button and the recording ends.



Demo Songs

Play demo Songs: There are 52 demo songs totally. Press [DATA/SPEED ▼/▲] two buttons together to start to play. Press [DATA/SPEED ▼/▲] two buttons together again to stop playing.



Select Demo Song: During the playing status, press [DATA/SPEED ▼/▲] button to select corresponding song.

Teaching Function

In the ipad “appstore” to download and install the “sound of the piano” app; open the “weiyin smart piano” app, click the bluetooth button search device, connect “ nuxpiano ” piano(piano must be in the boot state)

- 1) Download and install the “sound of the piano” app.



Android platform

Using the qr code below wechat scan, you can download the installation



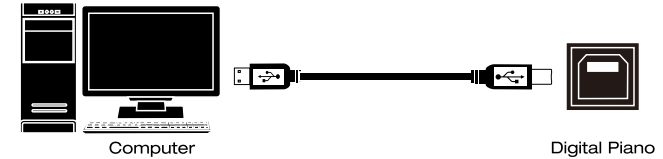
ios platform

Using the qr code below wechat scan, go to the app store for installation

- 2) Open the "music library" app and connect the digital piano via bluetooth. Implement teaching function, online video tutorial, rich in music spectrum resources, and listen to learn quickly.
- 3) The WK-400(B) has the function of teaching lamp, which is controlled by the "music hall" app.

USB MIDI Function

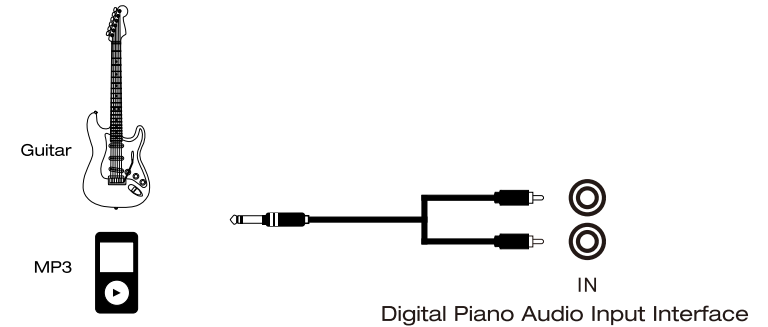
Connect the computer to the USB MIDI Jack in the back panel to get MIDI Production Function.



Audio Connection

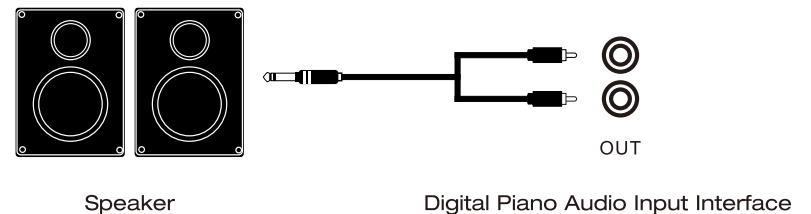
Audio Input:

Connect the musical instrument to the built-in speaker system, regarding the digital piano as speaker.



Output:

Connect the digital piano to the external speaker system, regarding it as sound source.



Specification

Appearance: Simple and vertical

Veneer: White PVC/ black PVC

Keyboard: 88 Grand Piano Keys scaled hammer action keyboard with four dynamic curves.

Sound Module: Equipped with high-end DREAM DSP chip, Grand

Piano tone: 5-level dynamic of stereo sampling from top concert grand piano.

Sound: 128 + 1 standard percussion kit

Polyphony: 80

Demo Song: 52 demo songs.

Metronome: Tick sound, Beat: 1,2,3,4,5,6.

Tempo Range: 20~280bpm.

Function Option: Pitch Shift, Spilt Keyboard, Dual Voice, Dynamic on/off, Chorus, Reverb, Percussion Sound

Dynamic Curve: 4(Soft, Standard, Hard, Off)

Octave Shifting: 25 octaves(0, ±12)

Split Keyboard: Dual Piano, Piano Duet, String Quartet, Concert Band, Piano + Violin, Guitar + Violin.

Pedal: Soft Pedal(left), Damper Pedal(middle), Sustain Pedal(right)

Jack: USB-MIDI, Pedal Jack, Power Jack, Stereo Input&Output(2 in, 2 out), Earphone Jack.

Speaker: 2X4.5" FR Speaker, 10 Watt each

Power Supply: DC12V, 2A, Positive Pin

Weight: 46Kg

Dimension: 1370(L) x 420(W) x820(H)mm

* All specifications are subject to change without notice

Sound List

Number	Instrument	Number	Instrument
PIANO		25	GTR STEEL
00	PIANO GRO	26	GTR JAZZ
01	PIANO BRITE	27	GTR CLEAN
02	PIANO ELEC	28	GTR MUTED
03	HONKY-TONK	29	GTR OVRDRV
04	E PIANO1	30	GTR DISTRT
05	E PIANO2	31	GTR HRMNX
06	HARPSCRD	BASS	
07	CLAVI	32	ACOU BASS
GLOCK		33	FINGR BASS
08	CELESTA	34	PICK BASS
09	GLOCKNSPL	35	FRETLS BASS
10	MUSIC BOX	36	SLAP BAS 1
11	VIBRAPHONE	37	SLAP BAS 2
12	MARIMBA	38	SYN BASS 1
13	XYLOPHONE	39	SYN BASS 2
14	TUBULR BELLS	STRING	
15	DULCIMER	40	VIOLIN
ORGAN		41	VIOLA
16	HAMND ORG	42	CELLO
17	PERC ORG	43	CONTRABASS
18	ROCK ORG	44	STR TREM
19	CHURCH ORG	45	STR PIZZ
20	REED ORG	46	HARP
21	ACCORDN 1	47	TIMPANI
22	HARMONICA	CONCERT	
23	ACCORDN 2	48	STRINGS 1
GUITAR		49	STRINGS 2
24	GTR NYLON	50	STR SYN 1

Number	Instrument	Number	Instrument
51	STR SYN 2	78	WHISTLE
52	CHOIR AAHS	79	OCARINA
53	VOICE OOHS	SYNTH PIPE	
54	VOICE SYN	80	SQR WAVE
55	ORCH HIT	81	SAW TOOTH
BRASS		82	CALLIOPE
56	TRUMPT	83	CHIFF
57	TROMBONE	84	CHARANG
58	TUBA	85	VOICE LEAD
59	MUTE TPT	86	5THLEAD
60	FR HORN	87	BASS LEAD
61	BRASS SECT	SYNTH VOICE	
62	BRASS SYN 1	88	NEW AGE
63	BRASS SYN 2	89	WARM PAD
PIPE		90	POLY SYNTH
64	SAX SOPRANO	91	CHOIR PAD
65	SAX ALTO	92	BOW GLASS
66	SAX TENOR	93	METAL PAD
67	SAX BTONE	94	HALO PAD
68	OBOE	95	SWEEP
69	ENG HORN	SYNTH EFFECT	
70	BASSON	96	RAIN FX
71	CLARINET	97	SNDTRK FX
WOODPIPE		98	CRYSTAL FX
72	PICCOLO	99	ATMOSPH FX
73	FLUTE	100	BRIGHT FX
74	RECORDER	101	GOBLIN FX
75	PAN FLUTE	102	ECHO FX
76	BOTTLE BLOWN	103	SCI-FI FX
77	SHAKHACHI		

Number	Instrument
FOLK SOUND	
104	SITAR
105	BANJO
106	SHAMISEN
107	KOTO
108	KALIMBA
109	BAGPIPE
110	FIDDLE
111	SHANAI
PERCUSSION	
112	TINKLE BELL
113	AGOGO
114	STEEL DRM
115	WOODBK
116	TAIKO DRM
117	MLDY TOM
118	SYNTH DRM
119	REVR5 CYM
EFFECT	
120	GTR NOISE
121	BREATH
122	SEASHORE
123	BIRD TWEET
124	TELEPHONE
125	HELICOPTER
126	APPLAUSE
127	GUNSHOT

Demo Songs List

Number	NAME
000	SYMPHONY OP.67 NO.5
001	THE MAIDEN'S PRAYER
002	DREAM WEDDING
003	LA CAMPANELLA
004	FOR ELISE
005	TURKISH MARCH
006	JOY TO THE WORLD
007	GRANDFATER'S CLOCK
008	KATYUSHA
009	SIPPIN' CIDER THROUGH A STRAW
010	DANCE OF RUSSIA
011	RED RIVER VALLEY
012	SUSANNA
013	AMERICAN PATROL
014	IT'S BEGINNING TO LOOK A LOT LIKE CHRISTMAS
015	ENTERTAINMENT
016	IT'S A SMALL WORLD
017	SERENADE
018	FROHLICHER LANDMAN
019	NOCTURNE OP.9 NO.2
020	PIZZICATO POLKA
021	THE SONG OF ROSE
022	THE TROUT
023	NOCTURNE
024	SYMPHONY NO.94 SURPRISE
025	HEIPENPOSLEIN

Number	NAME
026	AIR ON THE G-STRING
027	DANCE OF MIRLITONS
028	LONDON DERRY AIR
029	IMPROMPTU
030	2-PARK INVENTION IN A MINOR
031	SPRING SONG
032	O SOLE MIO
033	THE SIDEWAY
034	TENNESSEE WALTZ
035	WALTZ OF STARLIGHT
036	OLD BLACK JOE
037	JAMBALAYA
038	THE OLD GRAY MARE
039	IN THE RAIN
040	SILENT NIGHT
041	FIVE HUNDRED MILES
042	SUMMER PALACE
043	LONG LONG AGO
044	LOVE IS ROMANTIC
045	LAST ROSE OF SUMMER
046	MAPLE LEAF RAG
047	BLUE LUNCH
048	COBWEB
049	REGGAE
050	DARK EYES
051	GIVE ME A ROSE

Trouble Shooting

Trouble	Possible Reason/Solution
The digital piano will puff when it is switched on.	Don't worry. This is normal.
Pressing key makes no sound after the power is on.	Please confirm whether the master volume button is set properly or confirm whether the headphone jack is linked to other devices, which will automatically cut off the built-in speaker system.
Notes have different quality under the same sound.	This is normal because different sound sampling ranges make different sound quality.
In pedal sustain function, some sound sustains longer, others shorter.	This is normal. The tenuto of different sounds of this digital piano has been set to optimized length.
The sound is too small.	Please confirm whether the master volume button is set properly.
Some MIDI Data can not be transmitted correctly (Even the MIDI cable is linked correctly).	This is normal. It is related to the original setting.
The speaker will make noise when cell phone is nearby.	The cell phone will jam when it is nearby. The cell phone should be turned off or keep the cell phone away from the digital piano to avoid the jam.
The pitch doesn't match with key actual place while playing.	Maybe the double keyboard function or transposition function is turned on. Turn off double keyboard or reset transposition to zero can solve the problem.

Trouble	Possible Reason/Solution
The sound can not be changed while playing. The pitch doesn't match with key actual place.	Maybe the double keyboard function is turned on and the split point is set to the highest pitch. Turn off double keyboard function and set split point to original status can solve the problem.
The demo song distorts or interrupts.	Maybe it has been playing in maximum power for a long time so that the circuit board self-protection system is activated in case of overheat. Turn down the volume or turn off power for a while can solve the problem.
There are two sounds at the same time while playing.	Maybe you turn on dual voice function. Turn off dual voice function can solve the problem.
The tone's pitch is wrong.	Set scale and tones or set temperament parameter values to zero.
No automatic accompaniment chord.	Confirm whether accompaniment volume or chord function is turned on.
Dynamics is different from before.	This digital piano has four dynamics, light, standard, heavy, off. Maybe you have chosen different dynamics. You can choose the dynamics again according to your demand or reset it.

CE mark for European Harmonized Standards

CE Mark which is attached to our company's products of Battery mains the product is in fully conformity with the harmonized standard(s) EN 61000-6-3:2007+A1:2011 & EN 61000-6-1:2007 Under the Council Directive 2004/108/ EC on Electromagnetic Compatibility.



Description of hazardous substances

This information is provided on the specific hazardous substances to describe our products and their safety. This information applies to products which are manufactured by our company after March 1, 2007.

Environmental protection period



The number in this logo indicates that the environmental life of the product under normal use is 10 years. Some parts may also have an environmental life limit for their environmental use years. The limited use years are subject to the number within the logo.

The name and content of hazardous substances or elements in the product

Part Name	Harmful toxic substances or elements					
	Lead(Pb)	HG(Hg)	Cadmium(Cd)	Cr (VI)	PBB	PBDE
Shell	x	o	o	o	o	o
Electronic components	x	o	x	o	o	o
Annex	x	o	o	o	o	o

- : That the hazardous substances in the parts of all homogeneous materials in the GB / T 26572 The prescribed limit is required above.
- X : Indicates that at least in the content of a homogeneous material of the part , the hazardous substance is exceeding the GB / T26572 requirements of the limited requirements, due to the existing technical level, the current industry is not mature and there are not alternative solutions for the program.