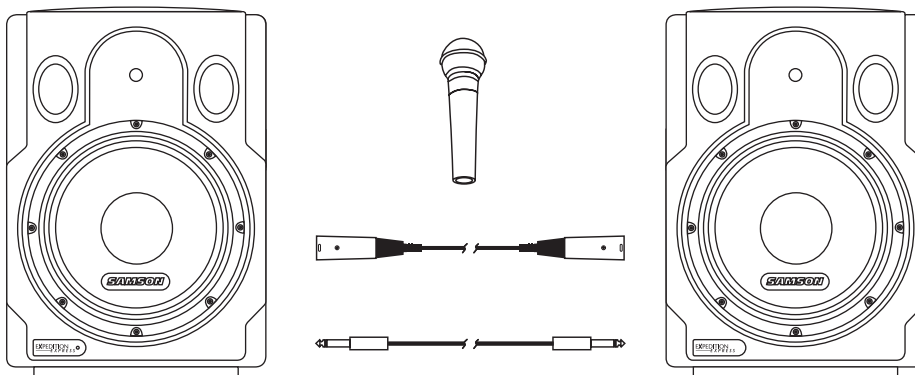


# EXPEDITION *EXPRESS*



**EXL250  
PORTABLE PA SYSTEM**

**Owner's Manual**

**SAMSON**



# Safety Instructions/Consignes de sécurité/Sicherheitsvorkehrungen/Instrucciones de seguridad



**WARNING:** To reduce the risk of fire or electric shock, do not expose this unit to rain or moisture. To reduce the hazard of electrical shock, do not remove cover or back. No user serviceable parts inside. Please refer all servicing to qualified personnel. The lightning flash with an arrowhead symbol within an equilateral triangle, is intended to alert the user to the presence of uninsulated "dangerous voltage" within the products enclosure that may be of sufficient magnitude to constitute a risk of electric shock to persons. The exclamation point within an equilateral triangle is intended to alert the user to the presence of important operating and maintenance (servicing) instructions in the literature accompanying the product.

## Important Safety Instructions

1. Please read all instructions before operating the unit.
2. Keep these instructions for future reference.
3. Please heed all safety warnings.
4. Follow manufacturers instructions.
5. Do not use this unit near water or moisture.
6. Clean only with a damp cloth.
7. Do not block any of the ventilation openings. Install in accordance with the manufacturers instructions.
8. Do not install near any heat sources such as radiators, heat registers, stoves, or other apparatus (including amplifiers) that produce heat.
9. Do not defeat the safety purpose of the polarized or grounding-type plug. A polarized plug has two blades with one wider than the other. A grounding type plug has two blades and a third grounding prong. The wide blade or third prong is provided for your safety. When the provided plug does not fit your outlet, consult an electrician for replacement of the obsolete outlet.
10. Protect the power cord from being walked on and pinched particularly at plugs, convenience receptacles and at the point at which they exit from the unit.
11. Unplug this unit during lightning storms or when unused for long periods of time.
12. Refer all servicing to qualified personnel. Servicing is required when the unit has been damaged in any way, such as power supply cord or plug damage, or if liquid has been spilled or objects have fallen into the unit, the unit has been exposed to rain or moisture, does not operate normally, or has been dropped.

**ATTENTION:** Pour éviter tout risque d'électrocution ou d'incendie, ne pas exposer cet appareil à la pluie ou à l'humidité. Pour éviter tout risque d'électrocution, ne pas ôter le couvercle ou le dos du boîtier. Cet appareil ne contient aucune pièce remplaçable par l'utilisateur. Confiez toutes les réparations à un personnel qualifié. Le signe avec un éclair dans un triangle prévient l'utilisateur de la présence d'une tension dangereuse et non isolée dans l'appareil. Cette tension constitue un risque d'électrocution. Le signe avec un point d'exclamation dans un triangle prévient l'utilisateur d'instructions importantes relatives à l'utilisation et à la maintenance du produit.

## Consignes de sécurité importantes

1. Veuillez lire toutes les instructions avant d'utiliser l'appareil.
2. Conservez ces instructions pour toute lecture ultérieure.
3. Lisez avec attention toutes les consignes de sécurité.
4. Suivez les instructions du fabricant.
5. Ne pas utiliser cet appareil près d'une source liquide ou dans un lieu humide.
6. Nettoyez l'appareil uniquement avec un tissu humide.
7. Veillez à ne pas obstruer les fentes prévues pour la ventilation de l'appareil. Installez l'appareil selon les instructions du fabricant.
8. Ne pas installer près d'une source de chaleur (radiateurs, etc.) ou de tout équipement susceptible de générer de la chaleur (amplificateurs de puissance par exemple).
9. Ne pas retirer la terre du cordon secteur ou de la prise murale. Les fiches canadiennes avec polarisation (avec une lame plus large) ne doivent pas être modifiées. Si votre prise murale ne correspond pas au modèle fourni, consultez votre électricien.
10. Protégez le cordon secteur contre tous les dommages possibles (pincement, tension, torsion, etc.). Veillez à ce que le cordon secteur soit libre, en particulier à sa sortie du boîtier.
11. Déconnectez l'appareil du secteur en présence d'orage ou lors de périodes d'inutilisation prolongées.
12. Consultez un service de réparation qualifié pour tout dysfonctionnement (dommage sur le cordon secteur, baisse de performances, exposition à la pluie, projection liquide dans l'appareil, introduction d'un objet dans le boîtier, etc.).



**ACHTUNG:** Um die Gefahr eines Brandes oder Stromschlags zu verringern, sollten Sie dieses Gerät weder Regen noch Feuchtigkeit aussetzen. Um die Gefahr eines Stromschlags zu verringern, sollten Sie weder Deckel noch Rückwand des Geräts entfernen. Im Innern befinden sich keine Teile, die vom Anwender gewartet werden können. Überlassen Sie die Wartung qualifiziertem Fachpersonal. Der Blitz mit Pfeilspitze im gleichseitigen Dreieck soll den Anwender vor nichtisolierter "gefährlicher Spannung" im Geräteinnern warnen. Diese Spannung kann so hoch sein, dass die Gefahr eines Stromschlags besteht. Das Ausrufezeichen im gleichseitigen Dreieck soll den Anwender auf wichtige Bedienungs- und Wartungsanleitungen aufmerksam machen, die im mitgelieferten Informationsmaterial näher beschrieben werden.

## Wichtige Sicherheitsvorkehrungen

1. Lesen Sie alle Anleitungen, bevor Sie das Gerät in Betrieb nehmen.
2. Bewahren Sie diese Anleitungen für den späteren Gebrauch gut auf.
3. Bitte treffen Sie alle beschriebenen Sicherheitsvorkehrungen.
4. Befolgen Sie die Anleitungen des Herstellers.
5. Benutzen Sie das Gerät nicht in der Nähe von Wasser oder Feuchtigkeit.
6. Verwenden Sie zur Reinigung des Geräts nur ein feuchtes Tuch.
7. Blockieren Sie keine Belüftungsöffnungen. Nehmen Sie den Einbau des Geräts nur entsprechend den Anweisungen des Herstellers vor.
8. Bauen Sie das Gerät nicht in der Nähe von Wärmequellen wie Heizkörpern, Wärmeklappen, Öfen oder anderen Geräten (inklusive Verstärkern) ein, die Hitze erzeugen.
9. Setzen Sie die Sicherheitsfunktion des polarisierten oder geerdeten Steckers nicht außer Kraft. Ein polarisierter Stecker hat zwei flache, unterschiedlich breite Pole. Ein geerdeter Stecker hat zwei flache Pole und einen dritten Erdungsstift. Der breitere Pol oder der dritte Stift dient Ihrer Sicherheit. Wenn der vorhandene Stecker nicht in Ihre Steckdose passt, lassen Sie die veraltete Steckdose von einem Elektriker ersetzen.
10. Schützen Sie das Netzkabel dahingehend, dass niemand darüber laufen und es nicht geknickt werden kann. Achten Sie hierbei besonders auf Netzstecker, Mehrfachsteckdosen und den Kabelanschluss am Gerät.
11. Ziehen Sie den Netzstecker des Geräts bei Gewittern oder längeren Betriebspausen aus der Steckdose.
12. Überlassen Sie die Wartung qualifiziertem Fachpersonal. Eine Wartung ist notwendig, wenn das Gerät auf irgendeine Weise, beispielsweise am Kabel oder Netzstecker beschädigt wurde, oder wenn Flüssigkeiten oder Objekte in das Gerät gelangt sind, es Regen oder Feuchtigkeit ausgesetzt war, nicht mehr wie gewohnt betrieben werden kann oder fallen gelassen wurde.

**PRECAUCION:** Para reducir el riesgo de incendios o descargas, no permita que este aparato quede expuesto a la lluvia o la humedad. Para reducir el riesgo de descarga eléctrica, nunca quite la tapa ni el chasis. Dentro del aparato no hay piezas susceptibles de ser reparadas por el usuario. Dirija cualquier reparación al servicio técnico oficial. El símbolo del relámpago dentro del triángulo equilátero pretende advertir al usuario de la presencia de "voltajes peligrosos" no aislados dentro de la carcasa del producto, que pueden ser de la magnitud suficiente como para constituir un riesgo de descarga eléctrica a las personas. El símbolo de exclamación dentro del triángulo equilátero quiere advertirle de la existencia de importantes instrucciones de manejo y mantenimiento (reparaciones) en los documentos que se adjuntan con este aparato.

## Instrucciones importantes de seguridad

1. Lea todo este manual de instrucciones antes de comenzar a usar la unidad.
2. Conserve estas instrucciones para cualquier consulta en el futuro.
3. Cumpla con todo lo indicado en las precauciones de seguridad.
4. Observe y siga todas las instrucciones del fabricante.
5. Nunca utilice este aparato cerca del agua o en lugares húmedos.
6. Limpie este aparato solo con un trapo suave y ligeramente humedecido.
7. No bloquee ninguna de las aberturas de ventilación. Instale este aparato de acuerdo a las instrucciones del fabricante.
8. No instale este aparato cerca de fuentes de calor como radiadores, calentadores, hornos u otros aparatos (incluyendo amplificadores) que produzcan calor.
9. No anule el sistema de seguridad del enchufe de tipo polarizado o con toma de tierra. Un enchufe polarizado tiene dos bornes, uno más ancho que el otro. Uno con toma de tierra tiene dos bornes normales y un tercero para la conexión a tierra. El borne ancho o el tercero se incluyen como medida de seguridad. Cuando el enchufe no encaje en su salida de corriente, llame a un electricista para que le cambie su salida anticuada.
10. Evite que el cable de corriente quede en una posición en la que pueda ser pisado o aplastado, especialmente en los enchufes, receptáculos y en el punto en el que salen de la unidad.
11. Desconecte de la corriente este aparato durante las tormentas eléctricas o cuando no lo vaya a usar durante un periodo de tiempo largo.
12. Dirija cualquier posible reparación solo al servicio técnico oficial. Deberá hacer que su aparato sea reparado cuando esté dañado de alguna forma, como si el cable de corriente o el enchufe están dañados, o si se han derramado líquidos o se ha introducido algún objeto dentro de la unidad, si esta ha quedado expuesta a la lluvia o la humedad, si no funciona normalmente o si ha caído al suelo.

Copyright 2001- 2007, Samson Technologies Corp.  
Printed October, 2007 v1.0  
Samson Technologies Corp.  
45 Gilpin Avenue  
Hauppauge, New York 11788-8816  
Phone: 1-800-3-SAMSON (1-800-372-6766)  
Fax: 631-784-2201  
[www.samsontech.com](http://www.samsontech.com)

## Table of Contents

### **ENGLISH**

Introduction .....	2
Expedition Express Features .....	3
Expedition Express System Components .....	4
Transporting the Expedition Express .....	5
Expedition Express Rear Panel Layout .....	6
Quick Set-Up .....	8
Positioning the EXL250 .....	9
Controls and Functions .....	10
Operating the EXPEDITION EXPRESS .....	13
EXPEDITION EXPRESS System Set-Up .....	15
Optional Accessories RB2030 RECHARGEABLE BATTERY .....	16
Optional Accessories WIRELESS / POLE MOUNTING .....	18
Wiring Guide .....	70
Specifications .....	71

### **FRANÇAIS**

Introduction .....	19
Présentation de Expedition Express .....	20
Composants du système Expedition Express .....	21
Transport du système Expedition Express .....	22
Enceintes Expedition Express - Face arrière .....	24
Mise en œuvre rapide .....	25
Positionnement des enceintes EXL250 .....	26
Réglages et fonctions .....	27
Utilisation du système EXPEDITION EXPRESS .....	30
Configuration du système EXPEDITION EXPRESS .....	32
Accessoires en option ACCUMULATEUR RECHARGEABLE RB2030 .....	33
Accessoires en option CONFIGURATION SANS FIL / MONTAGE SUR PIED .....	35
Wiring Guide / Plan de câblage / Verdrahtung / Guía de cableado / Cablaggio .....	70
Caractéristiques techniques .....	71

### **DEUTSCHE**

Einleitung .....	36
Expedition Express Features .....	37
Expedition Express Systemkomponenten .....	38
Expedition Express transportieren .....	39
Expedition Express Rückseite .....	40
Schnelle Einrichtung .....	42
EXL250 positionieren .....	43
Regler und Funktionen .....	44
EXPEDITION EXPRESS bedienen .....	47
EXPEDITION EXPRESS System-Einrichtung .....	49
Optionales Zubehör RB2030 AUFLADBARE BATTERIE .....	50
Optionales Zubehör DRAHTLOS / STÄNDERMONTAGE .....	52
Verdrahtung .....	70
Technische Daten .....	71

### **ESPAÑOL**

Introducción .....	53
Características del Expedition Express .....	54
Componentes del sistema Expedition Express .....	55
Transportar el Expedition Express .....	56
Distribución del panel posterior del Expedition Express .....	57
Instalación rápida .....	59
Colocación del EXL250 .....	60
Controles y funciones .....	61
Utilizar el EXPEDITION EXPRESS .....	64
Instalación del sistema EXPEDITION EXPRESS .....	66
Accesorios opcionales PILA RECARGABLE RB2030 .....	67
Accesorios opcionales RECEPTORES INALÁMBRICOS / MONTAJE EN POSTE .....	69
Guía de cableado .....	70
Especificaciones técnicas .....	71

---

# Introduction

Congratulations on purchasing the Samson Expedition Express! You now have everything you need to get a big concert sound anywhere, all in one portable package. The Expedition Express is a complete lightweight PA system including the EXL250m powered speaker with 4-input mixer built-in, the EXL250e extension cabinet, a Samson R21 dynamic microphone, all the needed cabling and convenient pouches to store the accessories. You get a loud, clear sound thanks to the available 250 watts of power driving the dual 12-inch, 2-way loudspeakers. The EXL250m enclosure features an internal power amplifier providing 2 x 125 watts of clean stereo power at a remarkably low weight thanks to the class D design. Each of the Expedition Express' 2-way speaker enclosures feature a custom designed, heavy-duty low frequency driver for deep bass response, plus a 1-inch titanium compression driver for clear articulate high frequency response. The Expedition Express' powerful mixer allows for three microphone inputs with the ability to add in lush reverbs from the internal DSP effects. Plus, there's even an onboard 30 pin, MP3 player docking station that's compatible with many popular MP# players. For easy transport, the EX250e extension cabinet stacks and locks on top of the EX250m via the included coupling plate, and with the protective slipcover, the stacked PA is ready to roll on the EX250m built-in wheels. For more flexibility you can add options from Samson, such as TS50 and TS100 tripod speaker stands, the MP1020 wall-mounting bracket, UM1 wireless microphone system and for the ability to run this versatile all-in-one PA anywhere, the RB2030 rechargeable battery. If you need a portable sound system for a school, house of worship, small band, cabaret act, or for most any PA application, the Expedition Express will do the job.

In these pages, you'll find a detailed description of the features of the Expedition Express PA system, as well a description of its front and rear panels, step-by-step instructions for its setup and use, and full specifications. You'll also find a warranty card enclosed—please don't forget to fill it out and mail it in so that you can receive online technical support and so we can send you updated information about these and other Samson products in the future. Also, be sure to check out our website ([www.samsontech.com](http://www.samsontech.com)) for complete information about our full product line.

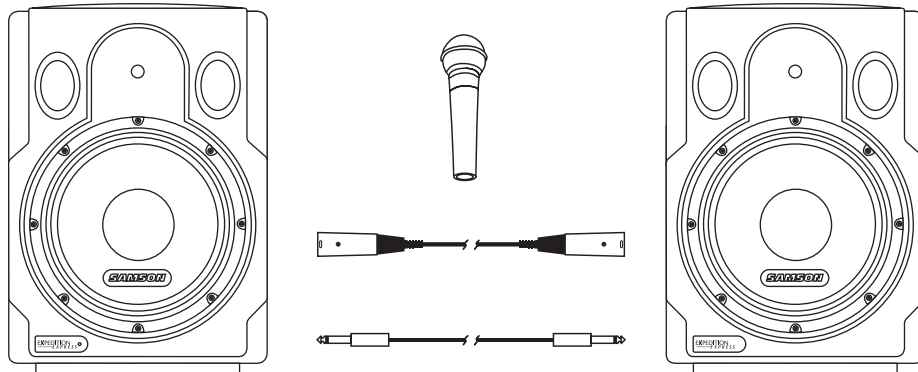
With proper care and adequate air circulation, your EXPEDITION EXPRESS will operate trouble free for many years. We recommend you record your serial number in the space provided below for future reference.

Serial number: \_\_\_\_\_

Date of purchase: \_\_\_\_\_

Should your unit ever require servicing, a Return Authorization number (RA) must be obtained before shipping your unit to Samson. Without this number, the unit will not be accepted. Please call Samson at 1-800-3SAMSON (1-800-372-6766) for a Return Authorization number prior to shipping your unit. Please retain the original packing materials and if possible, return the unit in the original carton and packing materials. If you purchased your Samson product outside the United States, please contact your local distributor for warranty information and service.

# Expedition Express Features



The Samson Expedition Express lightweight, portable PA system with onboard DSP effects is a comprehensive, all-in-one solution for live sound. Here are some of its main features:

- Self-contained light-weight portable PA system.
- Everything included for big concert sound.
- 250 Watts, 2 x 125 Watt Built-in Stereo Class D Power Amplifier.
- Built-in DSP Effects featuring lush Reverbs.
- Two 2 –Way Speakers Featuring 12" Heavy Duty, Low Frequency Transducer and 1" Titanium Compression Driver.
- Four Input/Three Mic mixer with 2-band EQ on each Channel.
- Onboard 30 pin MP3 player docking station.
- R21 Dynamic Microphones with cable and clip.
- 30 Foot Speaker cable.
- Microphone and Cable Storage Bags.
- Slip Covers Included.
- Optional Battery Operation.
- Wireless Ready.
- Stacks into one rollable unit.
- Quality built and rugged construction ensure reliable performance from venue to venue.
- Three-year extended warranty.

# Expedition Express System Components

## System Components

The Expedition Express System includes the following components:

The EXL250m Powered Speaker Enclosure with built-in Mixer.

The EXL250e Extension Speaker Enclosure.

One R21 Dynamic Microphone.

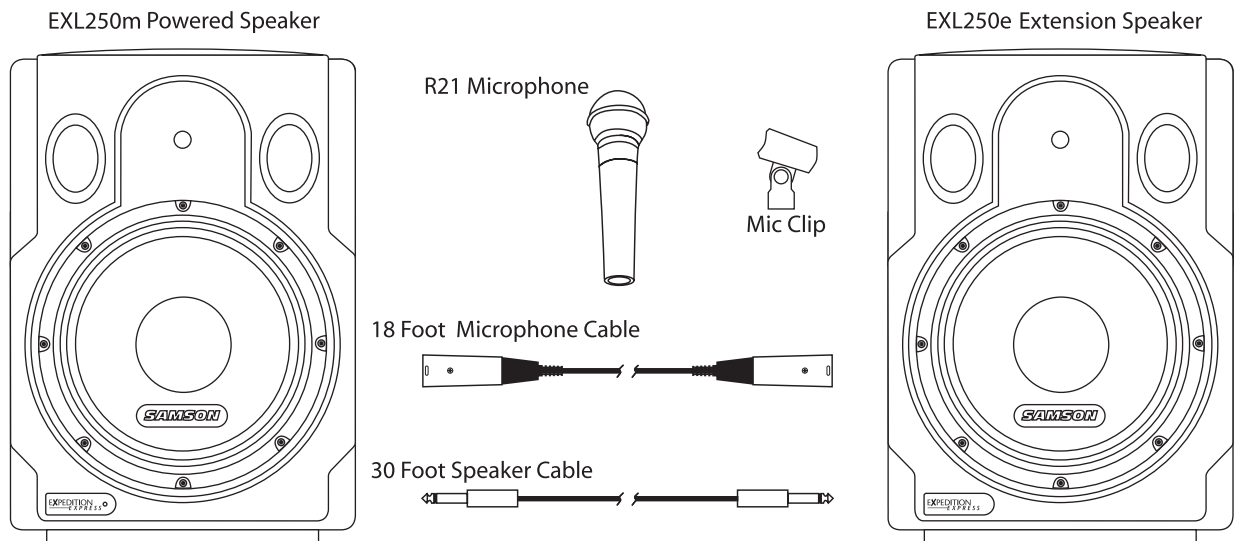
One 18 Foot Microphone Cable.

One Microphone Clip.

One 30 Foot Speaker Cable.

Two Storage Bags

Two Slip Covers.

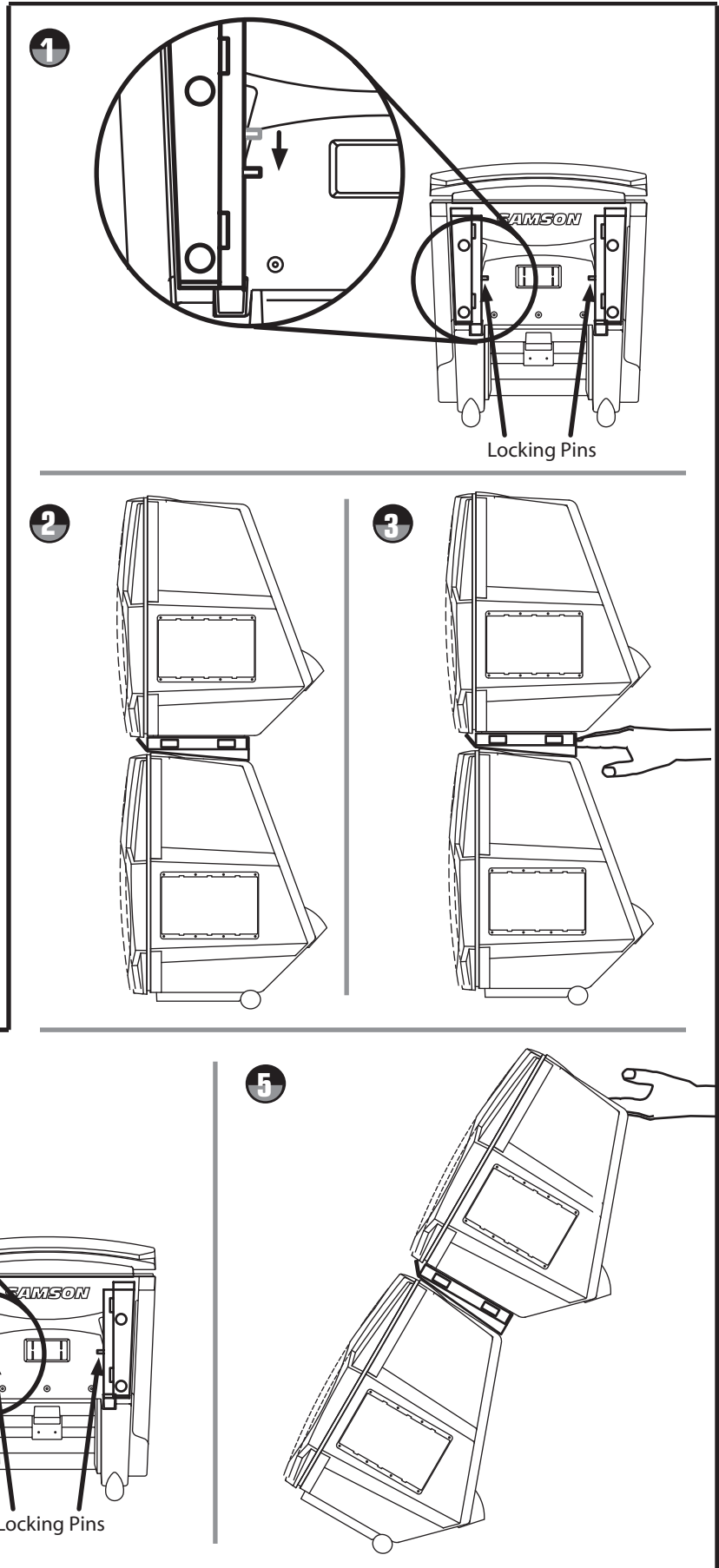




# Transporting the Expedition Express

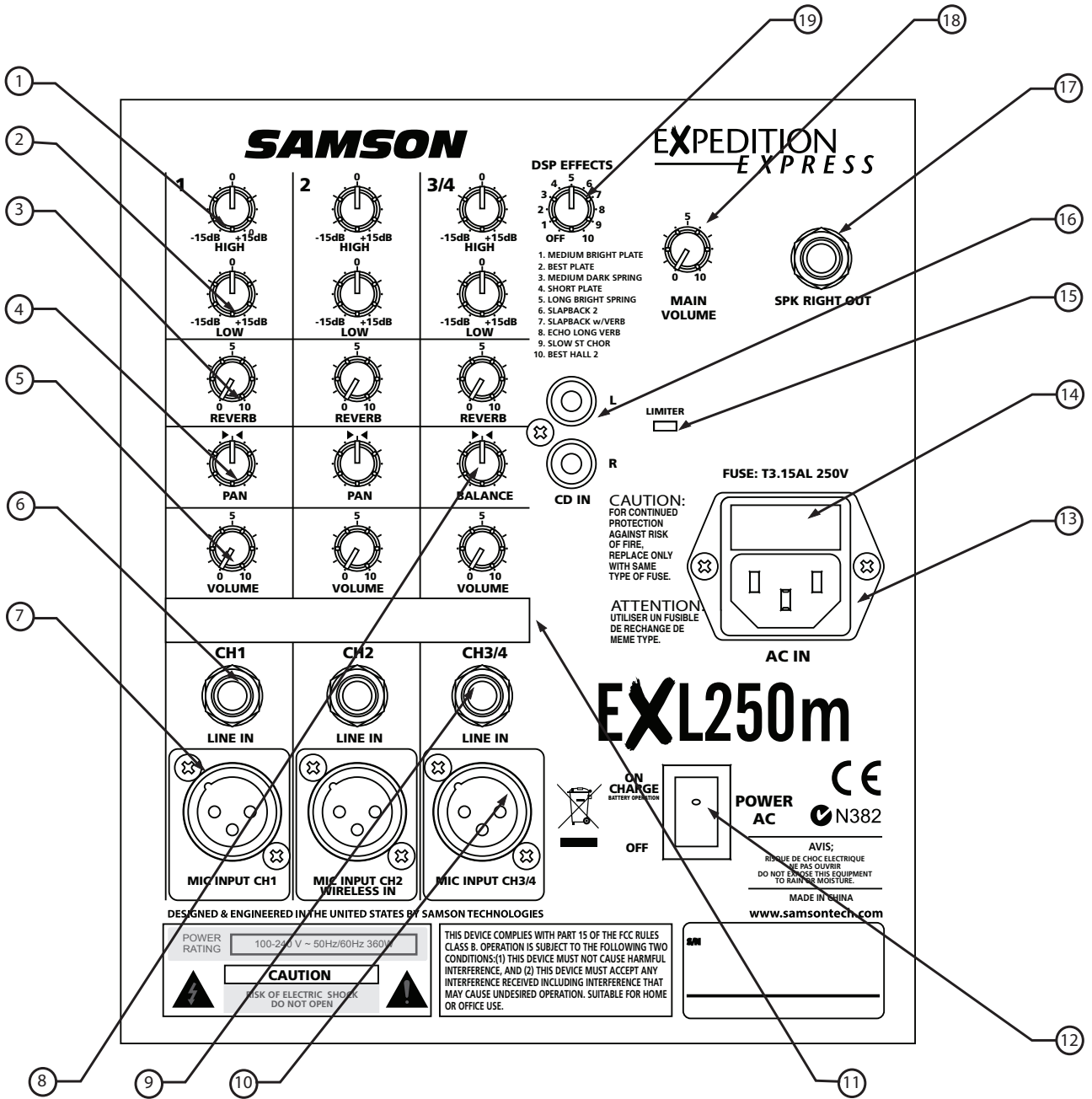
The Expedition Express can be easily configured for portable, rollaway transportation. Follow these simple steps to Stack and Roll the Expedition Express.

- 1** To unlock, locate the coupling bracket on the top of the EXL250m enclosure and pull the two Locking Pins towards the rear of the enclosure.
- 2** To lock, stack the EXL250e on top of the EXL250m and allow the coupling bracket to auto-align by slightly twisting the EXL250e until it fits into place.
- 3** Reach your hand in between the two speaker enclosures and push the two Locking Pins (located on the coupling bracket) towards the front of the enclosure.
- 4** Grab the handle on the top of the EXL250e enclosure and roll away.

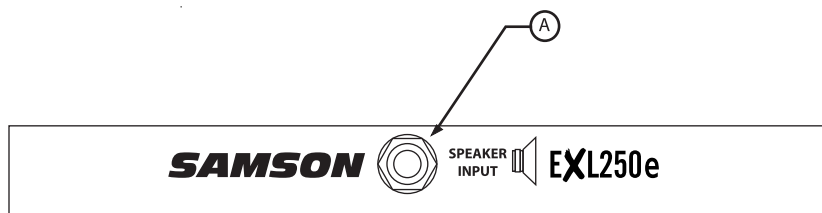


# Expedition Express Rear Panel Layout

## EXL250m REAR PANEL



## EXL250e REAR PANEL



# Expedition Express Rear Panel Layout

## EXL250m REAR PANEL

- 1 HIGH FREQUENCY** - Controls the high band of the Channel Equalizer, +/- 15 dB at 12KHz.
- 2 LOW FREQUENCY** - Controls the low band of the Channel Equalizer, +/- 15 dB at 80Hz.
- 3 REVERB** – Effect send connected to the internal effect processor.
- 4 PAN** – Controls the channel's position between left and right in the stereo bus.
- 5 VOLUME CONTROL** – Provides smooth control over level changes.
- 6 LINE** – Line Input connector on the mono channels.
- 7 MIC**- XLR connector for low impedance microphone input. 24 volt phantom power is supplied.
- 8 BALANCE**- Controls the left and right placement of the stereo signal in the main mix output
- 9 CH 3/4 LINE IN** – Stereo Line Input TRS connection Tip=Left, Ring=Right, Sleeve=Ground.
- 10 CH 3/4 MIC IN** - XLR connector for low impedance microphone input.
- 11 SCRIBE STRIP** - Use grease pencil or place tape here to label channels.
- 12 POWER** – Switches on the EXPEDITION EXPRESS' main power.
- 13 AC VOLTAGE SWITCH** – Selects the operating voltage. Make sure this switch is set correctly for the country you are in before turning on the EXL250m.
- 14 AC POWER INLET** – Connect External AC power supply here.
- 15 LIMITER LED** - Lights whenever the built-in Limiter is active. If you see this lighting frequently, it means you're overloading the EXL250m. Turn down one or more of the channel Volume controls or the Main Volume control.
- 16 CD INPUTS** – Connect a CD, DAT, Cassette or Mini Disk here.
- 17 SPEAKER OUT** – Connect EXL250e external speaker here.
- 18 MAIN VOLUME**- Used to control the overall volume of the Left and Right main Mix outputs.
- 19 DSP EFFECTS** - Used to switch between the 6 presets of the internal DSP effects processor.

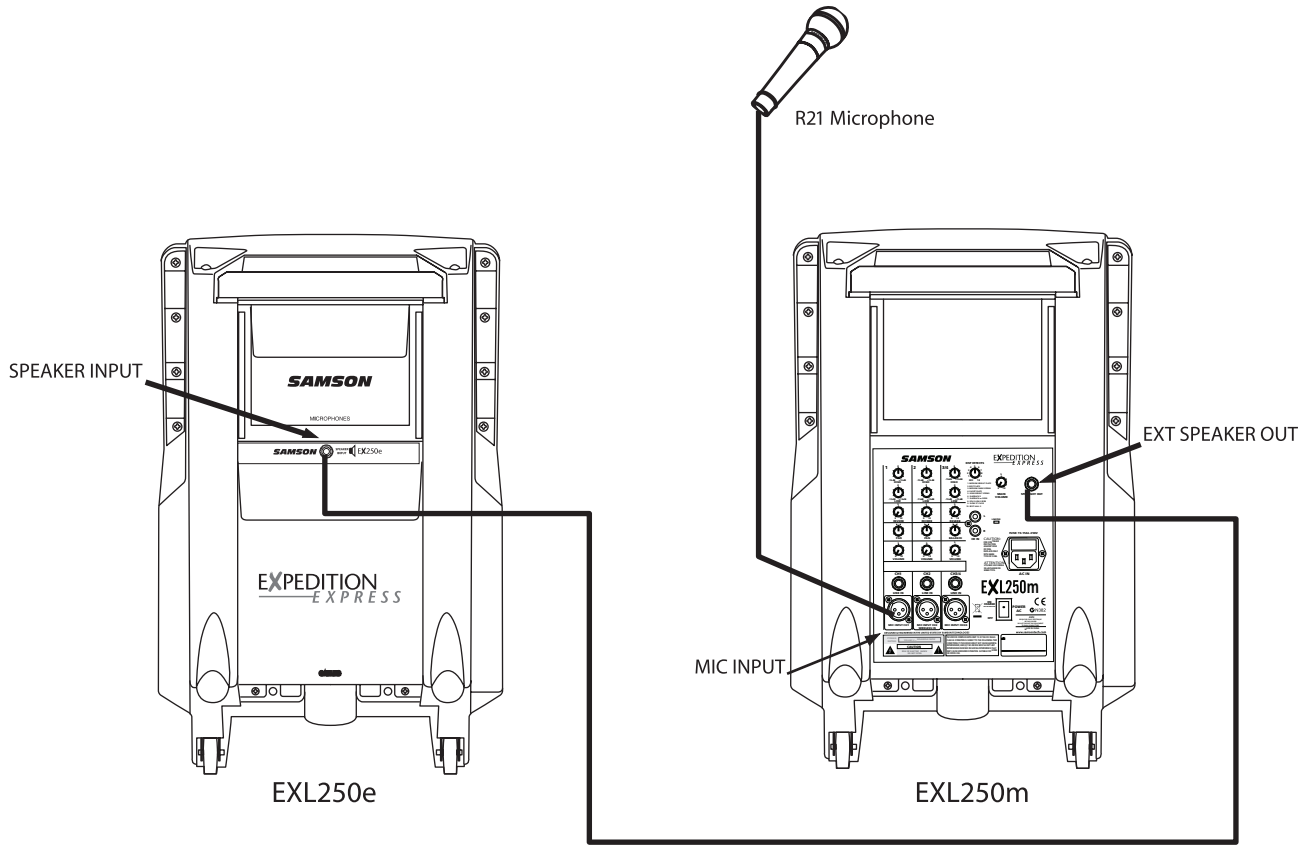
## EXL250e REAR PANEL

- A SPEAKER INPUT** – Connect speaker cable from EXL250m SPEAKER OUT here

# Quick Set-Up

## Quick Set-Up

In the pages of this manual you will find a detailed explanation of all the Expedition Express' functions and controls, but if you just want to get started quickly, you can follow the steps below.

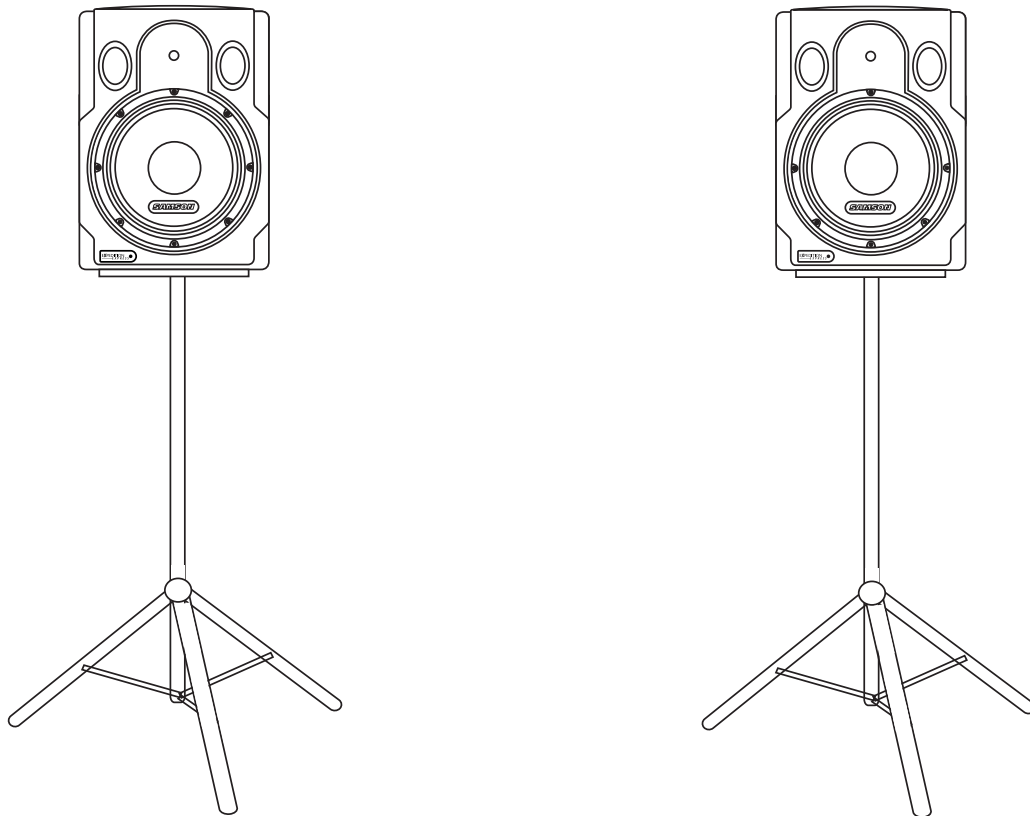


- Be sure that the EXL250m Power switch is set to the OFF position.
- Turn the MAIN VOLUME and the CHANNEL VOLUME controls fully counterclockwise to the off position.
- Connect the supplied speaker cable from the EXL250m's SPEAKER RIGHT OUT to the EXL250e's SPEAKER INPUT.
- Connect the power cable to an AC socket. Turn the Power Switch to the ON position.
- Plug one end of the supplied microphone cable into the R21 microphone and the other end into the EXL250m's channel 1 MIC INPUT.
- Set the MAIN VOLUME control to the "12:00" position.
- While speaking into the microphone, slowly raise the channel 1 VOLUME control until you reach the desired level.

# Positioning the EXL250

## Positioning The Expedition Express

To get the best results from your PA system, it is important to carefully consider the placement of the speakers and the position of the microphones that are being used. Correct placement of the speakers and microphones will maximize the amount of level that you will achieve before any feedback occurs.



## Microphone Positioning - How to Reduce Feedback

Feedback is the annoying howling and squealing that is heard when the microphone gets too close to the speaker and the volume is high. You get feedback when the microphone picks up the amplified signal from the speaker, and then amplifies through the speaker again, and then picks it up again, and so on and so on. In general, it is always recommended that any LIVE mic (a mic that's on) is positioned behind the speaker enclosures. This will give you the best level from your system before feedback. One possible exception is when you are adjusting the sounds of the microphones, since you want to listen in front of the speaker to hear properly. To do this, lower the MAIN VOLUME while setting the EQ and effect from in front of the speakers. Once you have the sound you like, move the microphones to behind the speakers and raise the Main volume.

## Speaker Placement

Whenever possible it is a good idea to raise the speakers above the heads of the listening audience. The Expedition Express' enclosures feature standard 1 3/8" pole mount receptacles, which are compatible with speaker stands from a variety of manufacturers including the TS50 and TS100 from Samson. In a smaller setting like a school cafeteria, library, or a mall kiosk, you can also use the Expedition Express in the tilt back position, which will improve the projection of the speakers and may eliminate the need for speaker stands.

# Controls and Functions

## INPUT CHANNEL SECTION

The following section details each part of the EXPEDITION EXPRESS' INPUT CHANNELS including the 2-BAND EQ, REVERB send, PAN and VOLUME controls. Input channels one through three on the EXPEDITION EXPRESS feature high quality, discrete transistor pre-amps providing transparency and extended dynamic range.

### CHANNEL EQUALIZER

The EXPEDITION EXPRESS' input channels feature a 2-band equalizer allowing you to adjust the high and low frequencies independently on each channel. The channel's frequency response is flat when the knobs are in the "12:00" position.

- 1 HIGH**  
Rotating the HIGH knob towards the right will boost the treble frequencies (12KHz) by 15dB, and rotating it towards the left will cut the high frequencies by 15dB.
- 2 LOW**  
Rotating the LOW knob towards the right will boost the bass frequencies (80Hz) by 15dB, and rotating it towards the left will cut the LOW frequencies by 15dB.

- 3 REVERB**

The EXPEDITION EXPRESS provides high quality digital effects, and the level of effects can be set independently on each channel. The channel's REVERB knob controls the amount of signal that is sent to the REVERB bus. The signal of the REVERB bus is routed to the internal DSP effects section for onboard signal processing.

- 4 PAN (Mono Inputs 1 & 2 Only)**

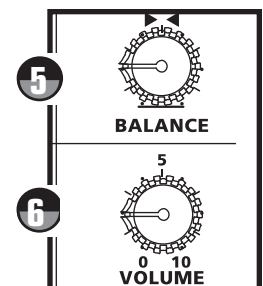
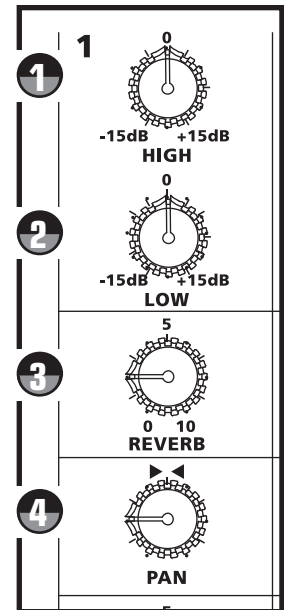
The EXPEDITION EXPRESS' PAN control is used to place or position the mono signal into the stereo main Left and Right bus. You can create a stereo image by panning some input signals to the left and others to the right.

- 5 BALANCE (Stereo Input 3/4 Only)**

The EXPEDITION EXPRESS' BALANCE control is used to correct any difference in level between the stereo main Left and Right MIX bus.

- 6 VOLUME**

The EXPEDITION EXPRESS' input VOLUME controls the overall channel level. The input VOLUME features an audio taper and no detents for smooth fades.



# Controls and Functions

## MASTER SECTION

### DIGITAL EFFECT SECTION

The EXPEDITION EXPRESS features a built-in, Digital Effects processor with high quality, studio grade effects such as lush Reverbs. The following section describes the features of the powerful on-board DSP.

#### 7 SELECT Switch (DIGITAL EFFECTS)

The SELECT switch allows you to select one of the six built-in digital effects. Simply rotate the SELECT knob to choose the various effect pre-sets.

#### 8 Effect Preset List

This section identifies the six built-in DSP effects presets. Following is the effects pre-set list:

1. MEDIUM BRIGHT PLATE
2. BEST PLATE
3. MEDIUM DARK SPRING
4. SHORT PLATE
5. LONG BRIGHT SPRING
6. SLAPBACK 2
7. SLAPBACK w/VERB
8. ECHO LONG VERB
9. SLOW ST CHOR
10. BEST HALL 2

#### 9 CD Input

The EXPEDITION EXPRESS' CD IN input provides the connections for playback of an external device such as a CD player, Cassette recorder, or Mini Disk. Additional mix flexibility from the EXPEDITION EXPRESS allows you to adjust the level of the signal and blend it in with the channel signals. The signal connected to the CD IN is routed to the stereo channel's inputs and the level and tone are controlled by the channel 3/4 VOLUME, HIGH and LOW.

**NOTE:** Be sure to turn the REVERB control all the way off on channel 3/4 when playing a CD.

#### LIMITER

To maximize speaker protection, the built-in Limiter is always engaged.

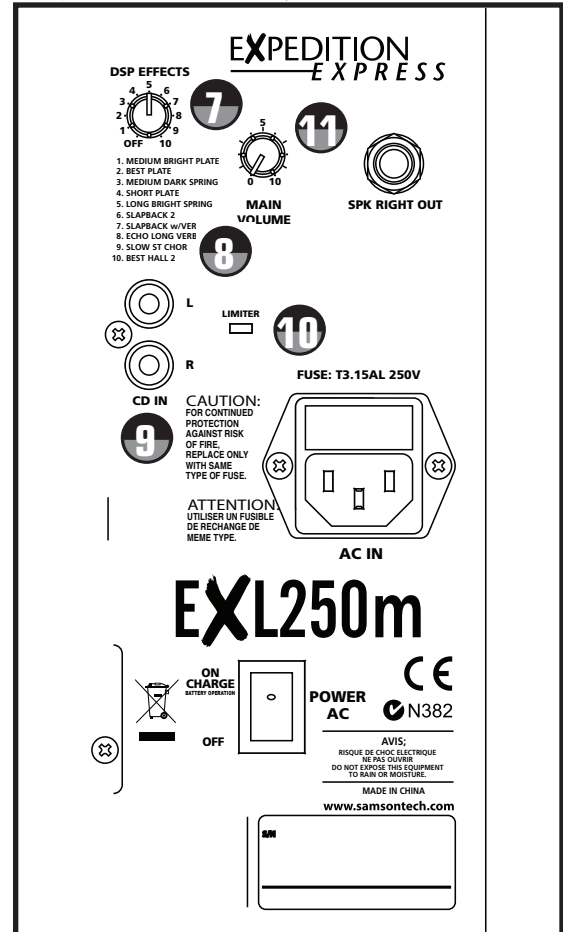
#### 10 LIMITER LED

The LED illuminates to indicate the Limiter circuit has detected a peak and the automatic gain reduction is activated.

**NOTE:** To avoid distortion, adjust the MAIN LEVEL control so that the LIMITER indicator LED lights occasionally.

#### 11 MAIN VOLUME

The MAIN VOLUME level control is the overall level control for both speaker cabinets

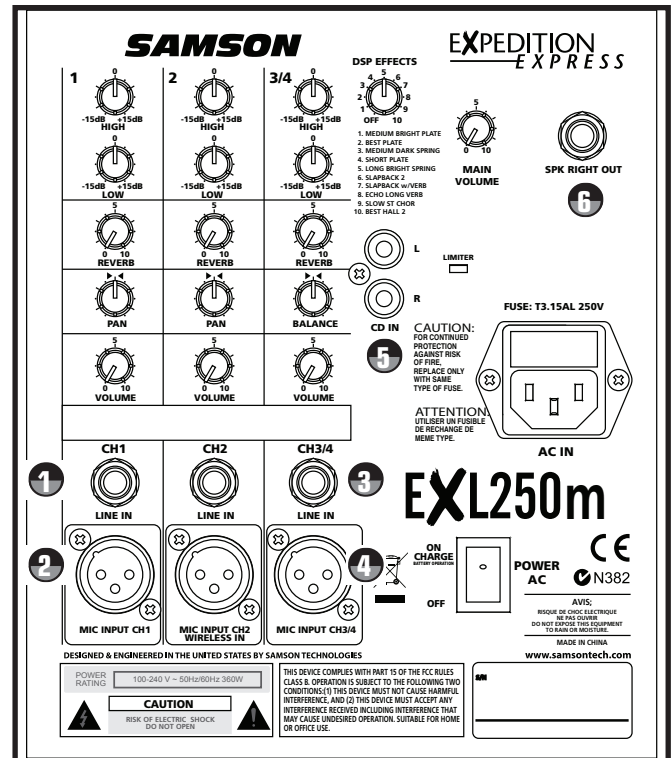


# Controls and Functions

## INPUT AND OUTPUT CONNECTORS

### Expedition Express Input and Output Connectors

- 1 Line Level Input - Mono Input Channels 1, 2**  
Use these inputs to connect synthesizers, drum machines, effects processors or any line-level signal. The LINE inputs have a nominal operating level of -40dB through -10dB. TRS phone jacks Connector pin-out - Sleeve: Ground, Tip: Hot (+), Ring: Cold (-)
- 2 Microphone Input - Mono Input Channels 1, 2**  
Use these inputs to connect Low Impedance microphones and low level signals from direct boxes. The MIC inputs have a nominal operating level of -50dB through -20dB. The MIC inputs also feature +24V phantom power, allowing you to use condenser microphones. XLR Connector pin-out - Pin 1: Ground, Pin 2: Hot (+), Pin 3: Cold (-)
- 3 Line Level Input - Stereo Input Channels 3/4**  
The Expedition Express' stereo channel has a stereo LINE input. You can connect the outputs from stereo devices such as synthesizers, drum machines, effects processors or any stereo line-level signal. The LINE inputs have a nominal operating level of -40dB through -10dB. TRS phone jacks Connector pin-out - Sleeve: Ground, Tip: Left, Ring: Right.
- 4 Microphone Input - Mono Input Channels 3/4**  
The Expedition Express' stereo channel has a utility MIC input located on the XLR connector. The utility MIC input has a nominal operating level of -50dB through -20dB. The MIC input also features +24V phantom power, allowing you to use condenser microphones. XLR Connector pin-out - Pin 1: Ground, Pin 2: Hot (+), Pin 3: Cold (-)
- 5 CD Input**  
The Expedition Express includes an input for connecting a CD player, cassette recorder, Mini Disk, or even audio from a VCR. The CD input connectors are industry standard RCA connectors.
- 6 Extension Speaker Out**  
The Extension speaker output is used to connect the EXL250m powered speaker to the EXL250e extension speaker. Connect the supplied speaker cable from the EXT SPEAKER OUT connector to the SPEAKER INPUT JACK located on the back of the EXL250e extension speaker.



**NOTE:** The EXL250e Extension Speaker has been designed for maximum performance with the EXL250m Powered Speaker, therefore it is not recommend to use any other extension speaker for optimum performance. When connecting an extension speaker to the EXL250m's EXT SPEAKER OUT other than the EXL250e, be sure that the total impedance of the extension speaker is no more that 8 Ohms. Connecting an Extension speaker or speakers with a total impedance less than 8 Ohms, such as 4 or 2 Ohms (the lower the number, the lower the impedance) may result in damage to the systems.



# Operating the EXPEDITION EXPRESS

## BASIC OPERATION

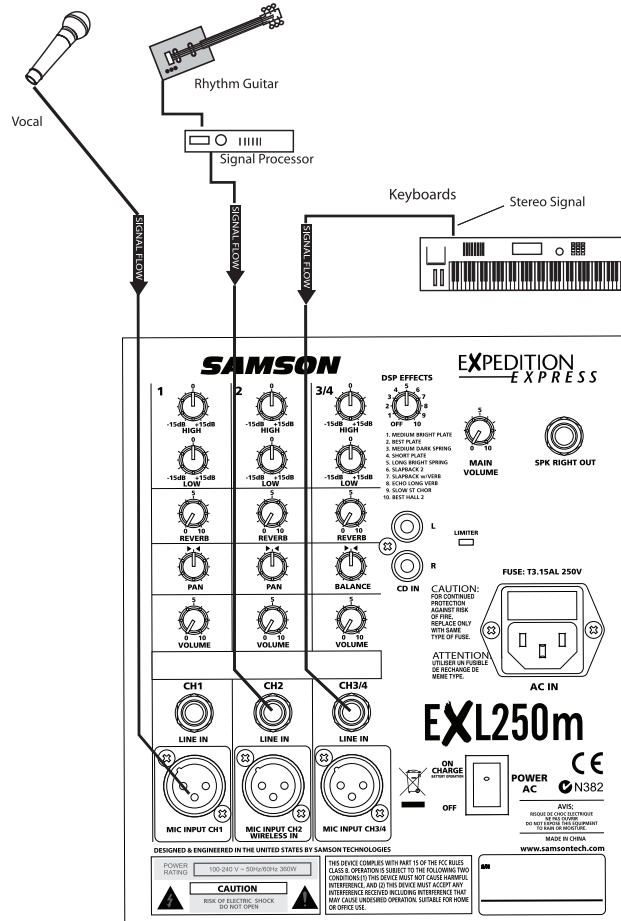
The following section explains the basic operation of the EXPEDITION EXPRESS.

## CONNECTING MICROPHONES AND INSTRUMENTS

1. Before connecting mics or instruments, make sure that the power of all your systems components including the EXPEDITION EXPRESS is turned off. Also, make sure that the MAIN VOLUME control is turned all the way down.
2. Connect the cables to your microphones and instruments, and insert the other end of the cable firmly into the appropriate input on the EXPEDITION EXPRESS.
3. Switch on the power of any peripheral devices, and then power up the EXPEDITION EXPRESS.

**NOTE:** It is important to remember the Golden Rule of audio ... "**LAST ON, FIRST OFF**". Translated, this means that when turning on your system, you should always turn your power amplifiers or powered monitors on **LAST**, and when turning your system off, turn your power amps off **FIRST**. This helps avoid any loud pops caused by inrush current at power up, which can sometimes damage loudspeakers.

4. Set the MAIN VOLUME in the EXPEDITION EXPRESS' master section to the "5" position.
5. While speaking into the mic (or playing the instrument), adjust the channel VOLUME control to set the desired level.



## Using The Docking Station

The EXL250 has a built-in MP3 docking station, which fits neatly into a special compartment above the EXL250's mixer allowing you to install an MP3 player to provide background music for meetings or performances. The EXL250's docking station is compatible with most popular MP3 players that have a 30-pin connector on the bottom. Follow the steps below to install your MP3 player.

- If your MP3 player came with a dock adapter, fit it in the EXL250's docking station.
- Pull the spring loaded retaining bracket forward and slide your MP3 player into place making sure it mates properly with the 30 pin connector.
- If you have a thin style MP3 player, remove your MP3 player and install the included thick EVA foam.
- Then, pull the spring loaded retaining bracket forward to re-install the MP3 player.
- Slowly lower the spring loaded retaining bracket to hold the MP3 player in place.

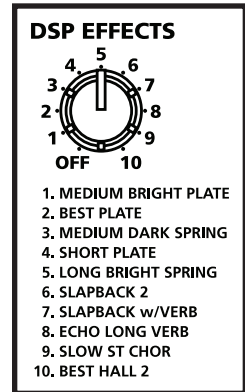


# Operating the EXPEDITION EXPRESS

## USING THE DIGITAL EFFECTS

The EXPEDITION EXPRESS features a built-in, high quality, Digital Signal Processor offering studio grade reverb and delay effects. You can add the digital effects to each input by using the channel's REVERB control. The following details the operation of the internal DSP effects:

1. Connect a mic or instrument to the desired channel, and adjust the volume and equalizer to your liking.
2. Now select the desired preset on the DSP selection switch. Set the DSP selection switch to one of the following effects:



1. MEDIUM BRIGHT PLATE
2. BEST PLATE
3. MEDIUM DARK SPRING
4. SHORT PLATE
5. LONG BRIGHT SPRING
6. SLAPBACK 2
7. SLAPBACK w/VERB
8. ECHO LONG VERB
9. SLOW ST CHOR
10. BEST HALL 2

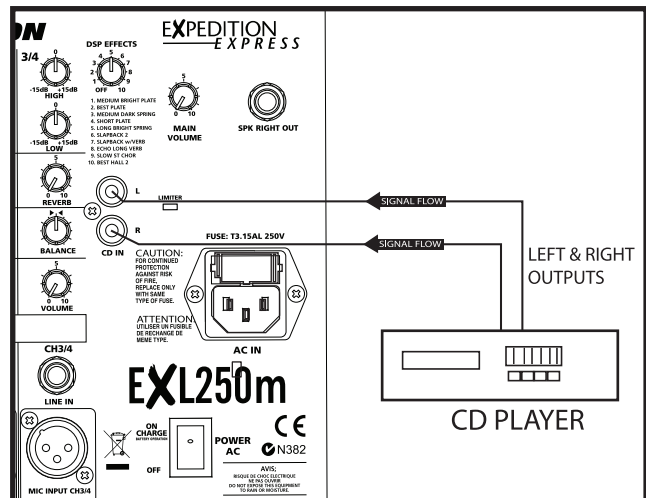
4. Once you have selected the desired effect preset, raise the Reverb control on the channels you wish to apply the digital effect to.

**NOTE:** If the effect sound is distorted, lower the Reverb controls of each channel.

## PLAYING BACK A CD USING THE CD INPUT

The EXPEDITION EXPRESS has a dedicated input for playing back a stereo device such as a CD, Tape or Mini Disc. Below is a description of how you can play back a CD, Tape or MD using the EXPEDITION EXPRESS' CD input.

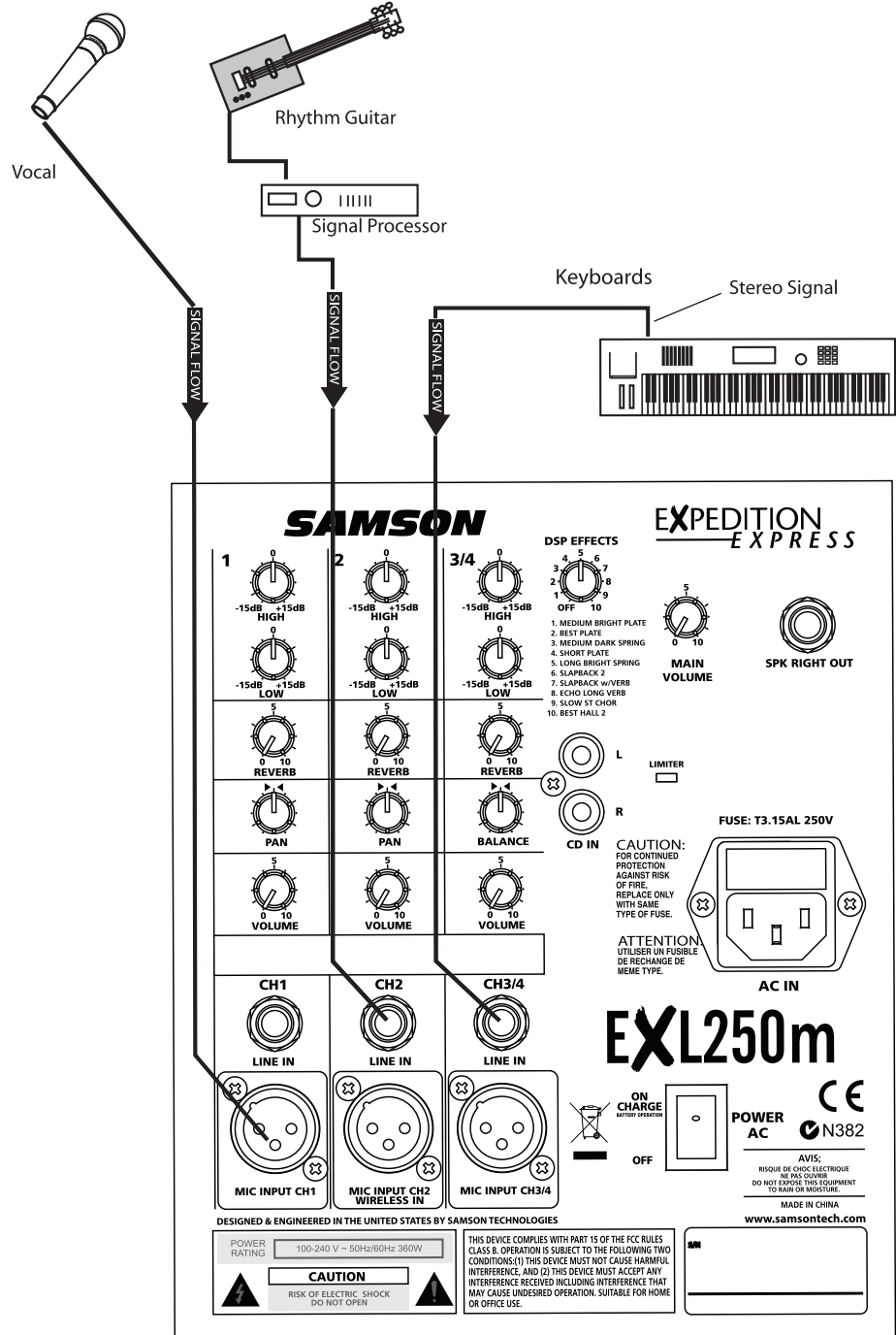
1. Turn the CHANNEL 3/4 VOLUME control all the way down.
2. Adjust the MAIN VOLUME knob in the master section to the "5" position.
3. Start playback on the CD, Tape or MD player, and slowly raise the CHANNEL 3/4 VOLUME control to set the desired level.



# EXPEDITION EXPRESS System Set-Up

## EXPEDITION EXPRESS PA SET-UP

This system shows the EXPEDITION EXPRESS in a PA set up. The microphone is connected to channel 1's Mic input. The guitar's signal processor's output is connected to channel 2's line input. The stereo Keyboard is connected to channel 3/4's stereo input.



# Optional Accessories RB2030 RECHARGEABLE BATTERY

The Samson RB2030 Rechargeable Battery is designed for Expedition EXL250, XPL200 and XPL300 cabinets. The RB2030 incorporates four 12VDC, 3.3A Gel Cells. A fully charged RB2030 should supply power to the XPL250, XPL200 or XPL300 for approximately 3–4 hours at a relatively high level of volume. Battery life of 7–8 hours can be obtained if a relatively low level of volume is used. **NOTE:** It is the actual volume (audio you are hearing), not the position of the volume controls, that is relative to battery life.

With proper care, your RB2030 will operate trouble free for many years. Please read the instructions carefully and note that your battery has been shipped uncharged.

## Parts list:

- 1 RB2030 Gel Cell Battery
- 4 M4 x 14 Screws
- 4 M6 x 12 Screws

## Instructions for Installation of Battery

- 1 With the rear of the Expedition cabinet facing you, lie the cabinet face down on a soft surface so as not to scratch the front grille. (figure 1)

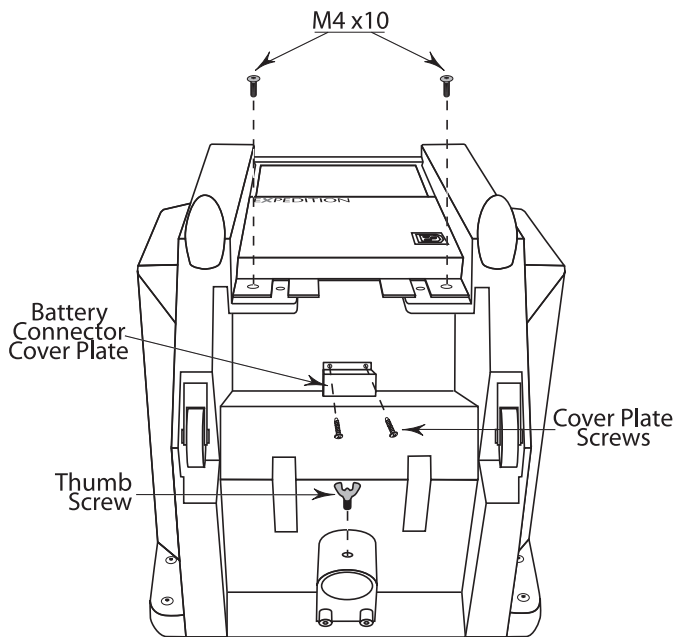


figure 1

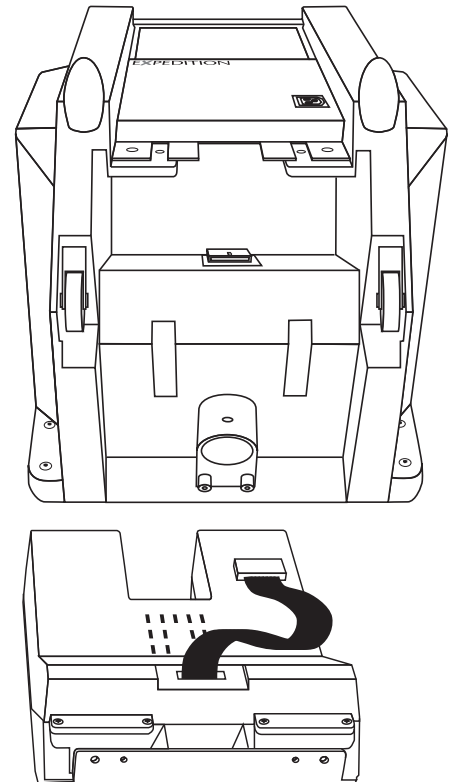


figure 2

# Optional Accessories RB2030 RECHARGEABLE BATTERY

2 Using a phillips screwdriver, remove the two screws and the Battery Connector Cover Plate.

**Note:** retain the cover plate and screws for future use. Remove the two M4 x 10 lower rear panel screws (to be re-used in step 6) and pole mount thumb screw (figure 1).

3 Align the battery as in figure 2 and set its legs in the bottom of the XPL200 or XPL300 as in figure 3.

4 Connect the Battery supply cable as in figure 3. **IMPORTANT! Both the connectors on the supply cable (from the battery) and connector plug (on the cabinet) are keyed. Be sure to connect the cable correctly or you'll risk shorting the battery which may result in fire and/or internal amplifier failure.**

5 Lift the battery into place and screw the two M4 x 14 screws into the two outer holes and the two M6 x 12 screws in the inner holes on the battery lip. Use the two M4 x 10 screws (from step 2) to secure the bottom of the battery to the cabinet.

## Charging the Battery

Before using the RB2030, the Battery must be fully charged. After following the instructions for installation, connect the XPL200 or XPL300 to an outlet and turn the unit on. The battery will take 8 hours to fully charge initially. Subsequent full charges can be achieved in 4 hours. The battery level meter on the rear panel of your XPL200 or XPL300 will show a level only when the AC cord is disconnected.

**IMPORTANT:** The RB2030 Battery must be fully charged after each use.

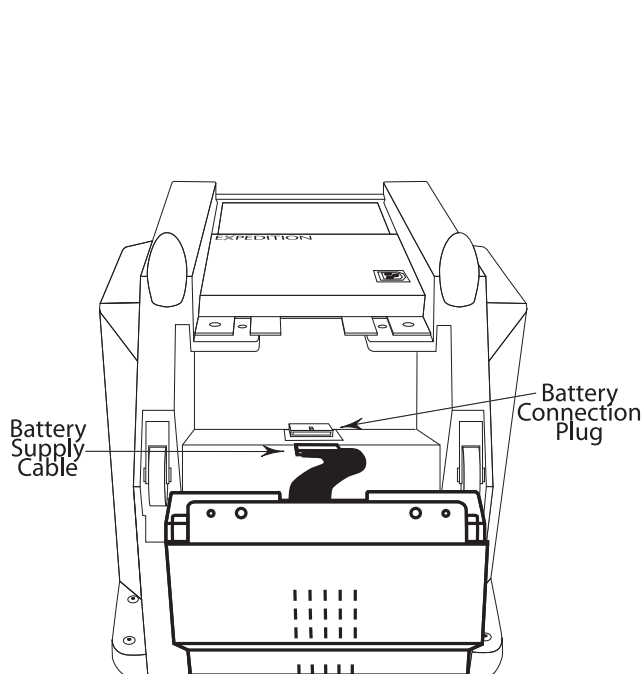


figure 3

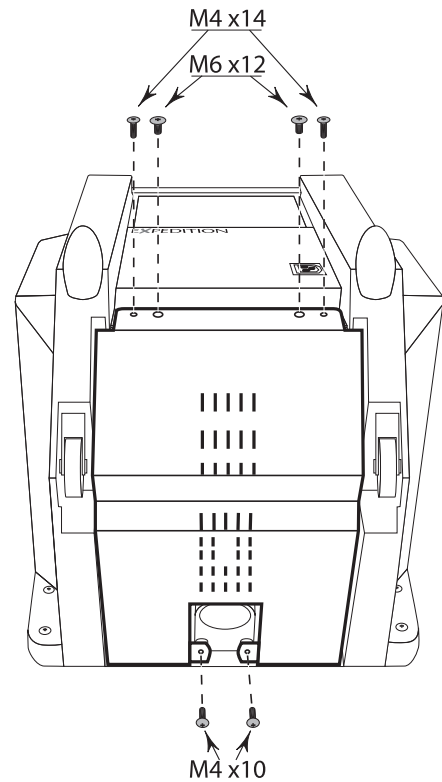


figure 4

## Optional Accessories WIRELESS / POLE MOUNTING

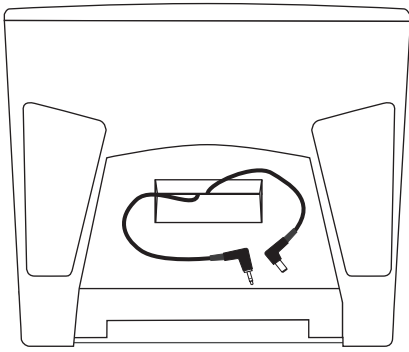


figure 1

As shown in figure 1 on the left, the top panel of the Expedition EXL250, XPL200 and XPL300 provides a pre-wired compartment that accommodates any of three different Samson wireless receivers: the UM1 or AM1 UHF models. Output signal from a wireless receiver mounted in an EXL250 arrives at channel 2 of the onboard mixer.

### Connecting a Micro Receiver to the Expedition

- 1 Remove the Wireless Compartment Cover by lifting it off the compartment located on the top of the Expedition. (see figure 1)
- 2 Gently take out the power and audio cables from the compartment.
- 3 Connect the power cable to the DC input jack on your Samson VM1, UM1 or M32 Receiver.
- 4 Connect the audio cable to the audio out jack on your Samson VM1, UM1 or M32 Receiver.
- 5 The audio signal from the receiver is sent to channel 2 on the XPL300 mixer.

### Pole Mounting - Procedures and Precautions

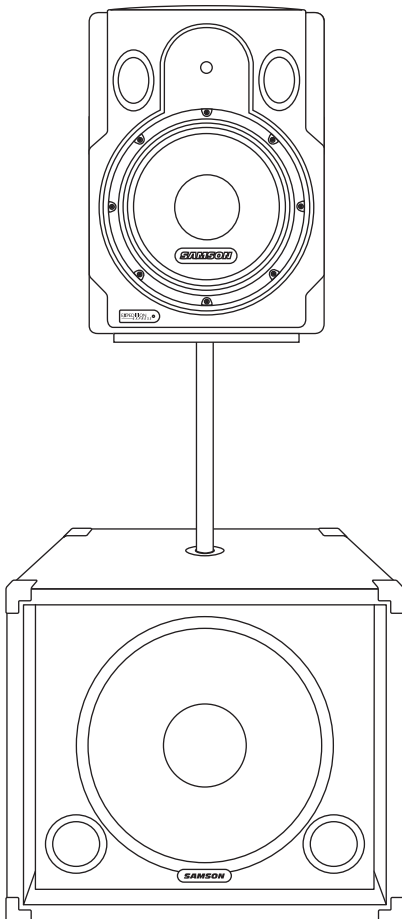
The underside of the Expedition contains a 1-3/8" stand mount socket that allows it to be raised up on any standard speaker pole mounting (such as the Samson TA50 or TA100 speaker stands). Pole-mounting is generally advisable when you want to maximize the distance that the Expedition covers (sometimes called speaker "throw").

If you are using a dB1500a subwoofer, you can use its integral pole mount with the Samson TS20 speaker stand to place an EXL250m or EXL250e immediately above it, creating a complete column of sound.

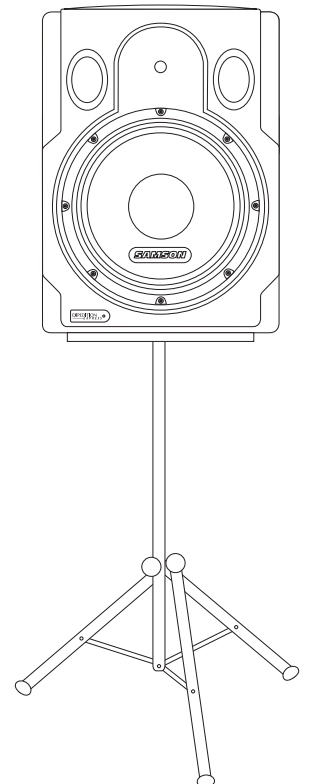
Use common sense when setting up speaker stands. Whenever pole mounting cabinets, make sure all fasteners are tight (or to the manufacturers specifications) and the stand can support the weight of the cabinet.

Set speakers and stands away from areas where people will be, taking care that stands will not be knocked into possibly causing injury from falling or tipping.

**WARNING!** Pole mounting of cabinets should be done by qualified personnel. Samson assumes no responsibility, personal liability or liability for Expedition cabinets.



EXL250 pole mounted on an dB1500a



EXL250 pole mounted on a speaker stand

Nous vous félicitons d'avoir choisi le Samson Expedition Express ! Ce système portable est conçu pour délivrer un son de concert impressionnant n'importe où. L'Expedition Express est un système de sonorisation complet et léger constitué d'une enceinte active EXL250m avec mélangeur 4 entrées intégré, d'une enceinte d'extension EXL250e et d'un micro dynamique Samson R21, avec tous les câbles et étuis de rangement nécessaires pour les accessoires. Les deux enceintes 2 voies avec haut-parleur de 31 cm (12 pouces) vous offrent un son d'une clarté et d'une puissance (250 Watts) exceptionnelles. En effet, l'EXL250m est une enceinte munie d'un amplificateur de puissance très léger délivrant une puissance stéréo élevée (2 x 125 Watts) et une sonorité cristalline grâce à son circuit travaillant en Classe D. Chaque enceinte 2 voies de l'Expedition Express est équipée d'un Woofer renforcé de conception spéciale pour garantir une réponse étendue dans les basses fréquences, et d'un Tweeter à compression au titane de 2,5 cm (1 pouce) pour offrir des hautes fréquences claires et précises. Le mélangeur très polyvalent de l'Expedition Express permet de connecter trois micros et d'utiliser des effets DSP intégrés pour appliquer de superbes réverbérations. Vous disposez également d'une station d'accueil 30 broches compatible avec la plupart des lecteurs de MP3. Pour faciliter le transport, l'enceinte d'extension EX250e peut être superposée et verrouillée sur la EX250m à l'aide de la plaque de fixation. Vous pouvez recouvrir les enceintes avec la housse de protection, puis les déplacer rapidement grâce aux roulettes intégrées de la EX250m. Pour bénéficier d'encore plus de possibilités, procurez-vous d'autres accessoires Samson, comme les pieds pour enceinte TS50 et TS100, le support mural MP1020, le système de micro sans fil UM1 et l'accumulateur RB2030, qui permet d'utiliser ce système de sonorisation complet et polyvalent n'importe où. Le système portable Expedition Express représente la solution par excellence pour pratiquement toutes les applications de sonorisation dans les écoles, les lieux de culte, les petites salles, les clubs, etc.

Dans ces pages, vous trouverez une description détaillée des fonctions du système de sonorisation Expedition Express, une présentation des faces avant et arrière, des instructions de configuration et d'utilisation, ainsi que les caractéristiques techniques. Vous trouverez également une carte de garantie — prenez le temps de la remplir et de nous la renvoyer pour bénéficier de l'assistance technique en ligne. Nous vous ferons également parvenir des informations sur les produits Samson. Pensez également à visiter notre site Internet ([www.samsontech.com](http://www.samsontech.com)) pour obtenir toutes les informations sur nos produits.

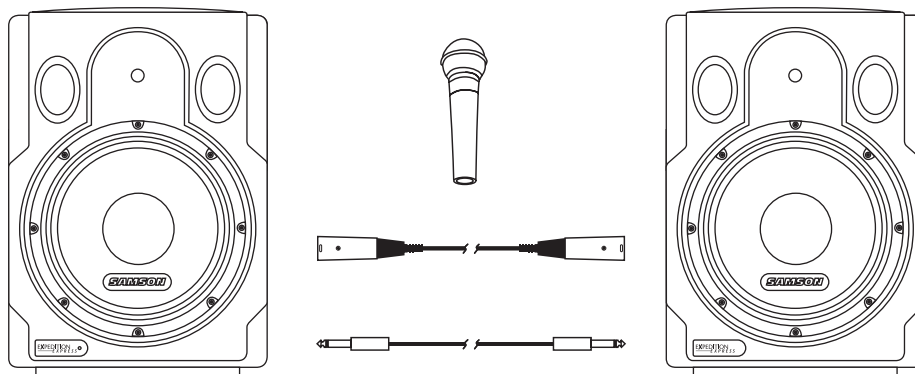
Avec un entretien adapté et une ventilation suffisante, votre EXPEDITION EXPRESS vous donnera satisfaction pendant de très nombreuses années. Prenez le temps de noter le numéro de série et la date d'achat ci-dessous pour toute référence ultérieure.

Numéro de série : \_\_\_\_\_

Date d'achat : \_\_\_\_\_

Pour faire réparer cet appareil, vous devez tout d'abord obtenir un numéro de retour auprès de nos services. Sans ce numéro, nous ne pouvons pas l'accepter. Appelez Samson au : 1-800-3SAMSON (1-800-372-6766) pour recevoir ce numéro. Conservez l'emballage d'origine afin de l'utiliser en cas de retour. Pour les produits Samson achetés hors des USA, contactez votre revendeur ou distributeur local pour obtenir les informations sur la garantie et les réparations.

# Présentation de Expedition Express



Le Samson Expedition Express est un système portable et léger avec effets DSP intégrés. Il s'agit de la solution tout-en-un la plus complète pour les applications de sonorisation. Voici quelques-unes de ses caractéristiques principales :

- Système de sonorisation mobile entièrement intégré.
- Équipé pour offrir un gros son de scène.
- Amplificateur de puissance stéréo intégré de 250 Watts (2 x 125 Watts) travaillant en Classe D.
- Effets DSP internes offrant de somptueuses réverbérations
- Deux enceintes 2 voies avec HP de 31 cm robustes, Woofer et Tweeter à compression en Titane de 1 pouce.
- Mélangeur quatre entrées/trois micros avec égaliseur 2 bandes sur chaque canal.
- Station d'accueil 30 broches intégrée pour lecteur de MP3.
- Micros dynamiques R21 avec câble et clip.
- Câble d'enceintes de 9 mètres.
- Sacs de rangement pour micros et câbles.
- Housses de protection fournies.
- Accumulateur en option.
- Prêt pour la configuration sans fil.
- Enceintes empilables pour montage sur roulettes.
- Fabrication robuste et de qualité garantissant un service sans faille de concert en concert.
- Garantie étendue de trois ans.



# Composants du système Expedition Express

## Composants du système

Le système Expedition Express inclut les éléments suivants :

Enceinte active EXL250m avec mélangeur intégré.

Enceinte EXL250e Extension.

Un micro dynamique R21.

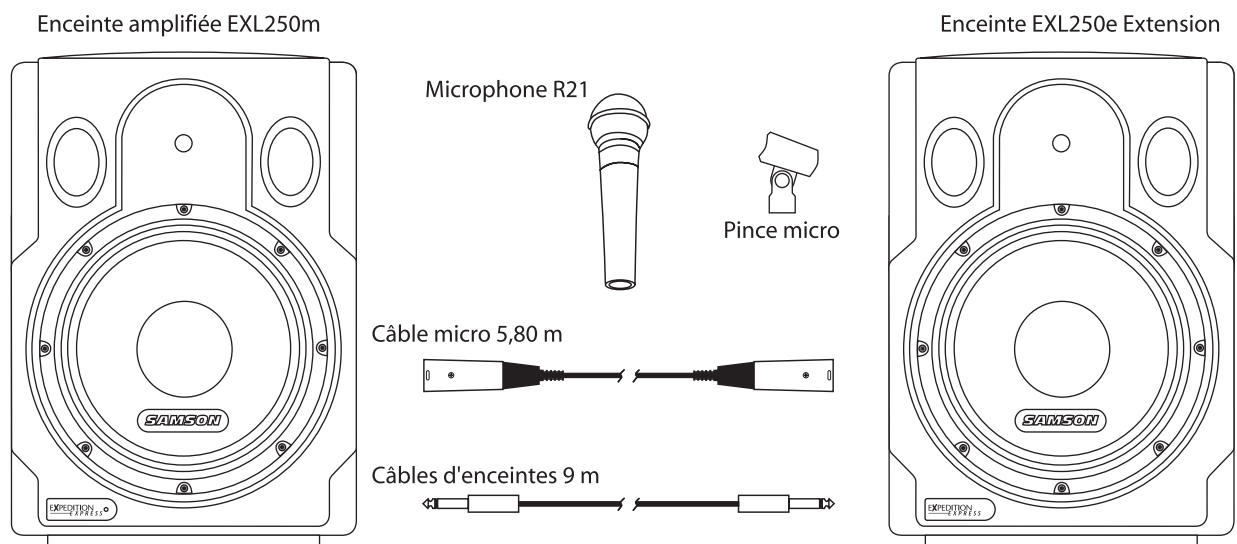
Un câble micro de 5,80 m.

Une pince pour micro.

Un câble d'enceintes de 9 m.

Deux sacs de transport

Deux housses de rangement.



# Transport du système Expedition Express

Le kit Expedition Express peut être monté sur roulettes et rendu mobile en quelques instants seulement. La procédure suivante vous indique comment empiler les enceintes du système Expedition Express l'une sur l'autre afin de les déplacer.

1

Pour déverrouiller le système, localisez le dispositif de fixation rapide situé sur le haut de l'enceinte EXL250m et tirez les deux plots vers l'arrière.

2

Empilez la EXL250e sur la EXL250m et alignez la fixation en faisant légèrement pivoter la EXL250e jusqu'à ce que celle-ci s'ajuste en place.

3

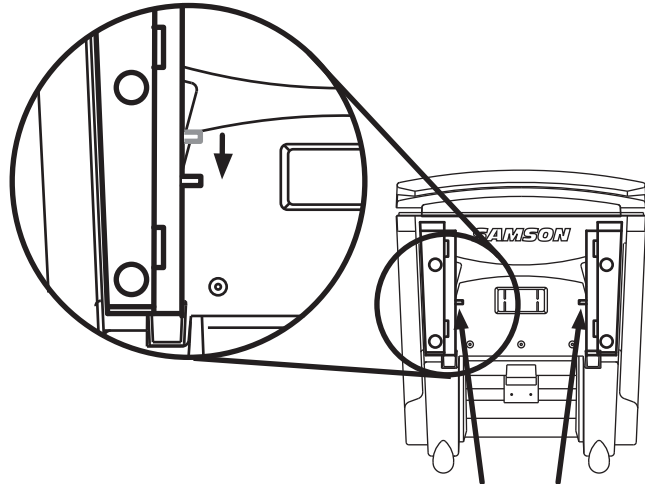
4

Glissez votre main entre les deux enceintes et poussez les deux plots de verrouillage (sur le dispositif de fixation) vers l'avant des enceintes.

5

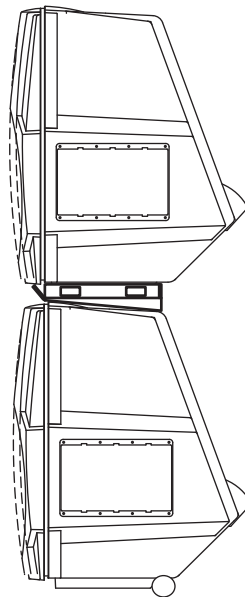
Saisissez la poignée située en

1

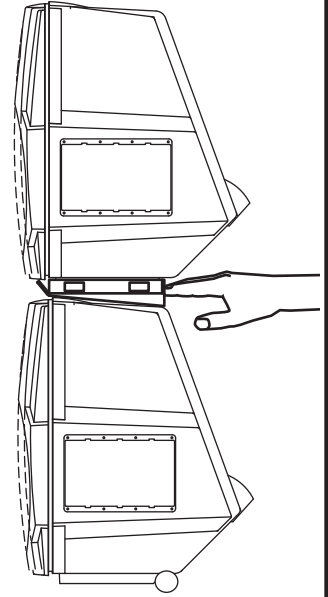


Goupilles de verrouillage

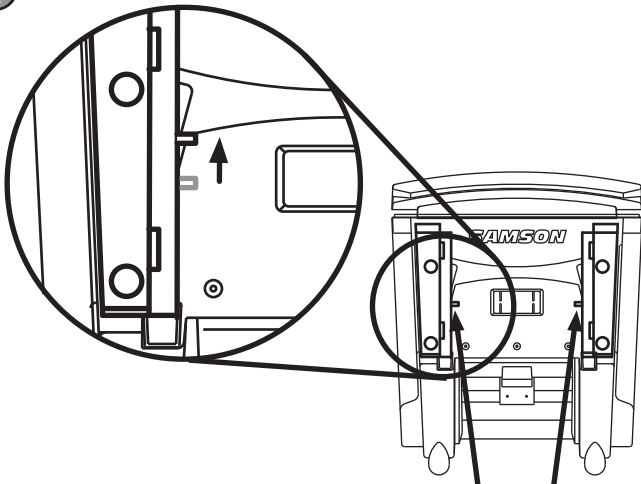
2



3

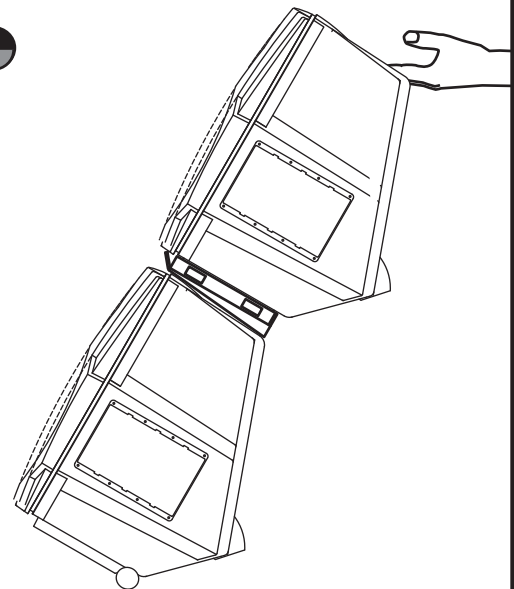


4



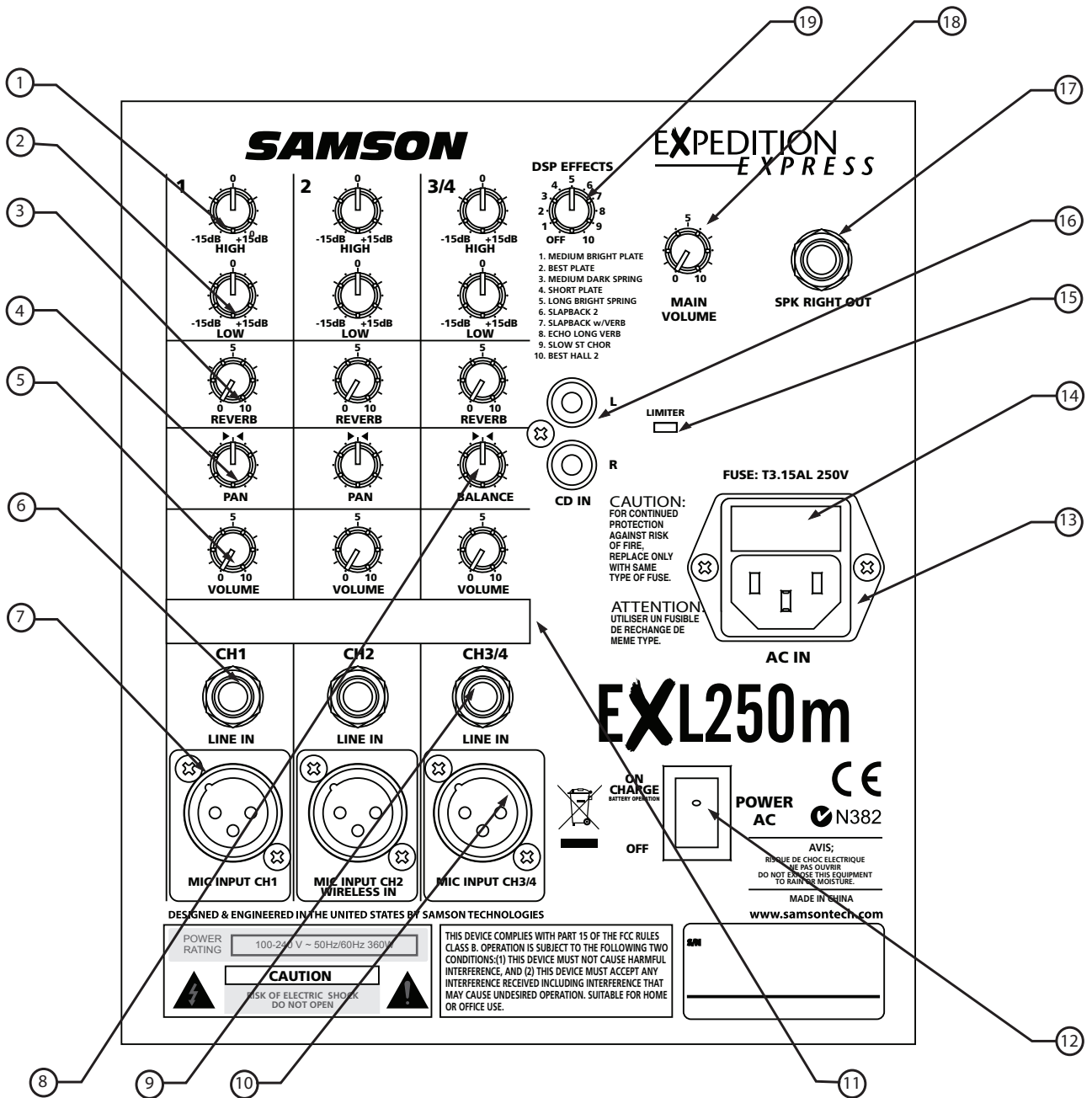
Goupilles de verrouillage

5



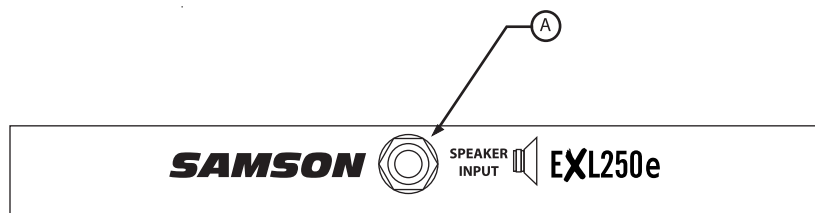
# Enceintes Expedition Express - Face arrière

## EXL250m - FACE ARRIÈRE



FRANÇAIS

## EXL250e - FACE ARRIÈRE



# Enceintes Expedition Express - Face arrière

## EXL250m - FACE ARRIÈRE

- 1 HIGH FREQUENCY** - Réglage de la bande des aigus de l'égaliseur, +/- 15 dB à 12 kHz.
- 2 LOW FREQUENCY** - Réglage de la bande des graves de l'égaliseur, +/- 15 dB à 80 Hz.
- 3 REVERB** - Départ effet vers le processeur d'effets interne.
- 4 PAN** - Contrôle de la position gauche/droite du canal sur le bus stéréo.
- 5 VOLUME** - Réglage continu du niveau.
- 6 LINE** - Entrée ligne mono.
- 7 MIC** - Connecteur XLR pour entrée micro à faible impédance.
- 8 BALANCE** - Contrôle de la position gauche/droite du signal dans le mixage de sortie général.
- 9 CH 3/4 LINE IN** - Entrée ligne sur jack stéréo  
Pointe=Gauche, Bague=Droite, Corps=Masse.
- 10 CH 3/4 MIC IN** - Entrée pour micro basse impédance en XLR.
- 11 BANDE LÉGENDE** - Utilisez un feutre effaçable ou une bande à masquer pour identifier chaque canal.
- 12 INTERRUPTEUR POWER** - Mise sous/hors tension du système EXPEDITION EXPRESS.
- 13 SÉLECTEUR AC IN** - Sélecteur de tension.  
Assurez-vous que ce sélecteur est correctement réglé avant de placer votre enceinte EXL250m sous tension.
- 14 EMBASE SECTEUR (ca)** - Embase servant à l'alimentation du système en courant alternatif.
- 15 TÉMOIN LIMITER** - Allumé lorsque le limiteur interne est actif. Signale une surcharge de l'EXL250m lorsqu'il s'allume trop fréquemment. Réduisez le niveau général ou le niveau d'un ou plusieurs canaux.
- 16 ENTRÉES CD** - Connectez ici votre lecteur CD, cassette, Mini Disk ou votre DAT.
- 17 SPEAKER OUT** - Connectez ici l'enceinte EXL250e secondaire.
- 18 MAIN VOLUME** - Réglage de niveau du mixage gauche/droite général.
- 19 DSP EFFECTS** - Sélecteur vous permettant de choisir parmi les 6 Presets d'effets du DSP interne.

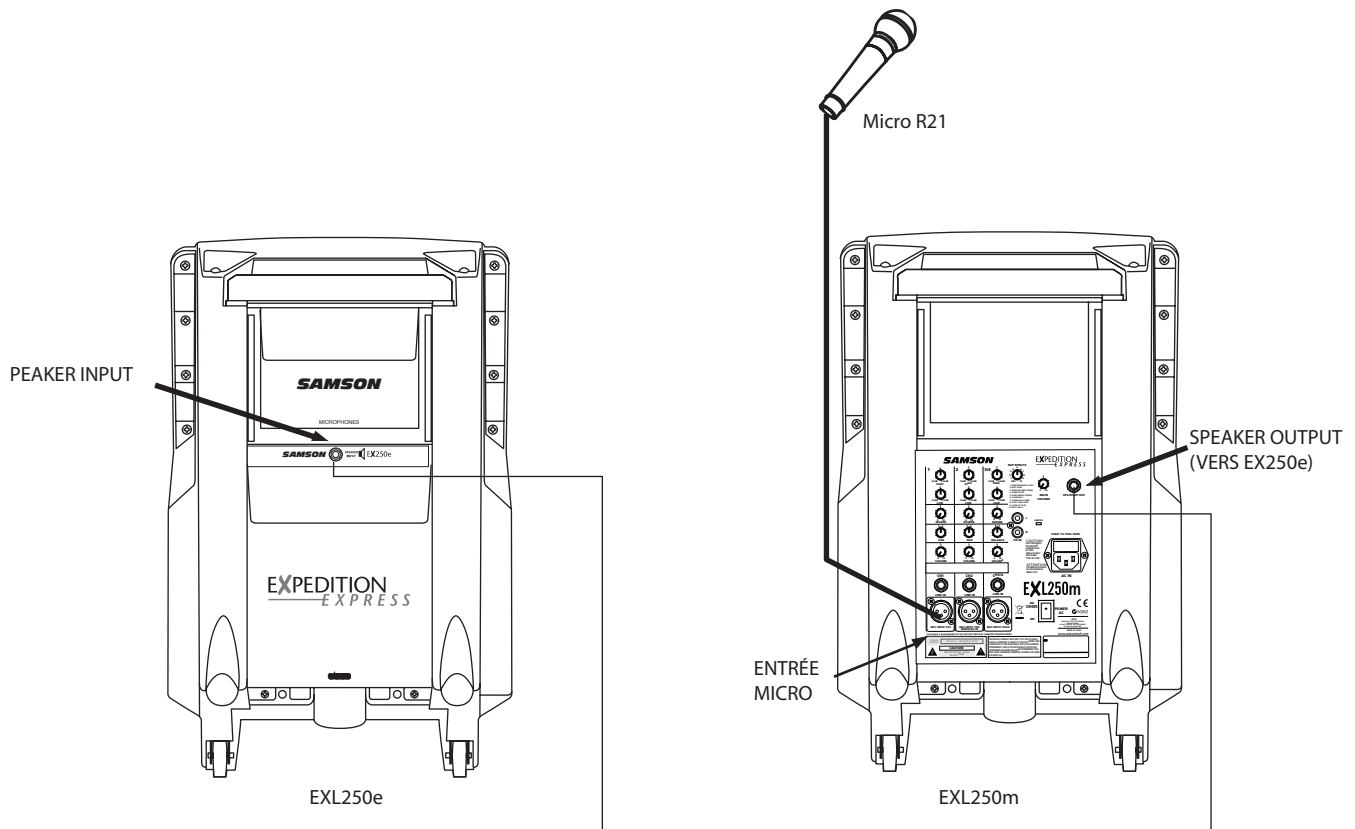
## EXL250e - FACE ARRIÈRE

- A SPEAKER INPUT** - Reliez ici le câble d'enceintes relié au connecteur SPEAKER OUT de l'EXL250m.

# Mise en œuvre rapide

## Mise en œuvre rapide

Vous trouverez dans ce mode d'emploi des explications détaillées sur toutes les fonctions et tous les réglages du système Expedition Express ; néanmoins, si vous souhaitez utiliser le système dès maintenant, suivez la procédure présentée ci-dessous :

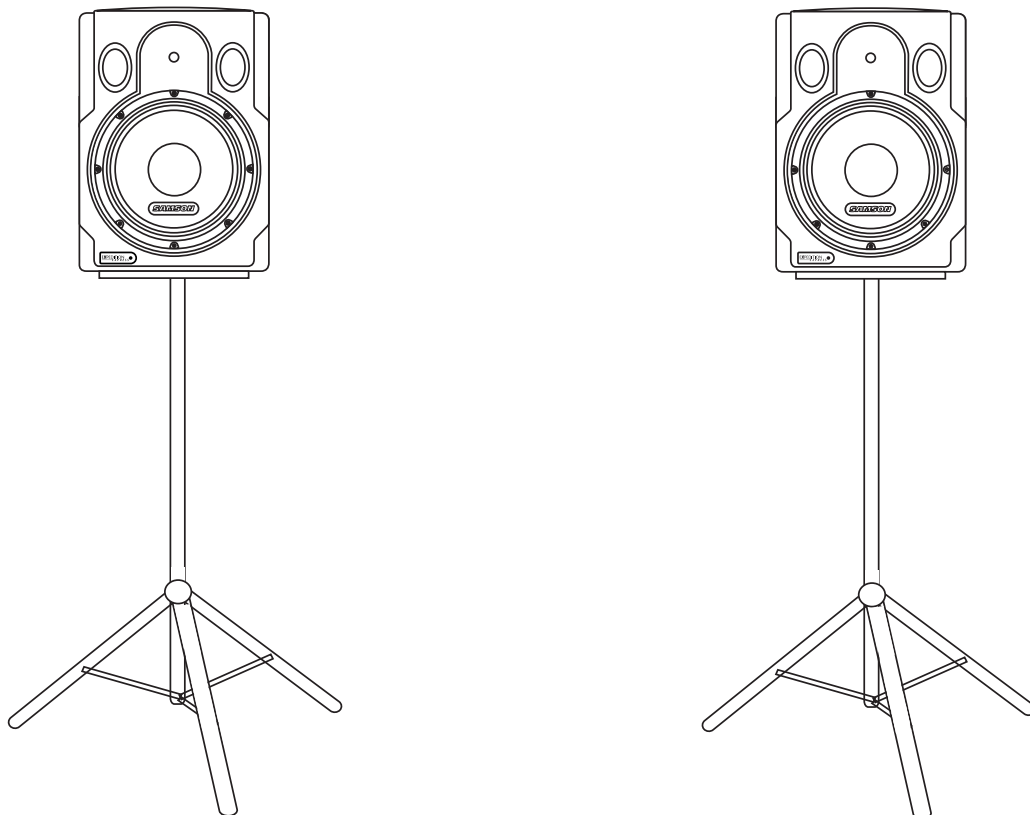


- Assurez-vous que l'interrupteur Power de l'enceinte EXL250m est en position OFF.
- Réglez les potentiomètres MAIN VOLUME et CHANNEL VOLUME au minimum (position Off).
- Reliez le connecteur SPEAKER RIGHT OUT de l'EXL250m et le connecteur SPEAKER INPUT de l'EXL250e à l'aide du câble d'enceintes fourni.
- Connectez le cordon secteur à une prise secteur (en courant alternatif). Placez l'interrupteur Power en position ON.
- Branchez une extrémité du câble micro fourni au micro R21 et l'autre extrémité à l'entrée MIC INPUT du canal 1 de l'EXL250m.
- Réglez le potentiomètre MAIN VOLUME en position "12:00".
- Parlez au micro et augmentez progressivement le niveau à l'aide du potentiomètre VOLUME du canal 1 jusqu'à ce que le niveau souhaité soit atteint.

# Positionnement des enceintes EXL250

## Positionnement du système Expedition Express

Le positionnement des enceintes et des micros doit être pensé judicieusement afin d'obtenir de votre système de sonorisation un rendu optimal. Un placement correct des enceintes et des micros permet en effet de maximiser le niveau toléré par l'installation avant l'apparition de Larsens.



## Positionnement des micros - Comment réduire les risques d'accrochage (Larsen)

Le Larsen est un bruit strident produit lorsqu'un micro est placé trop près d'une enceinte avec un volume élevé. L'accrochage se produit lorsqu'un micro capte le signal amplifié par l'enceinte et que ce signal est à nouveau amplifié (phénomène de réinjection), etc. En règle générale, il est recommandé de toujours positionner les micros derrière les enceintes. Vous pouvez ainsi travailler à des niveaux plus élevés sans risque d'accrochage. Vous pouvez déroger à cette règle lorsque vous réglez le son des micros en vous plaçant devant les enceintes afin de mieux entendre. Pour cela, baissez le niveau à l'aide du potentiomètre MAIN VOLUME lorsque vous réglez l'égalisation et les effets en vous plaçant devant les enceintes. Une fois le son recherché obtenu, placez les micros derrière les enceintes et augmentez le volume général (Main).

## Positionnement des enceintes

Il est toujours conseillé, dans la mesure du possible, de placer les enceintes au-dessus des têtes des spectateurs. Les enceintes du système Expedition Express sont munies d'une embase pour pied (3,5 cm) compatible avec les pieds pour enceinte de divers fabricants, comme les TS50 et TS100 de Samson. Dans des environnements confinés (cafétérias, bibliothèques, ou kiosque), il est également possible d'utiliser les enceintes Expedition Express sans pied, mais en position inclinée, ce qui favorise la diffusion du son et peut éviter d'avoir recours à des pieds.

# Réglages et fonctions

## SECTION DES CANAUX D'ENTRÉE

La section suivante revient en détail sur chaque élément de la section des canaux d'entrées du système EXPEDITION EXPRESS, comprenant les réglages de L'ÉGALISEUR 2 BANDES, de la RÉVERBÉRATION, du PANORAMIQUE et du VOLUME. Les canaux d'entrée un à trois du système EXPEDITION EXPRESS sont équipés de pré-amplificateurs haut de gamme, à composants discrets, offrant un traitement parfaitement indécélable et une plage dynamique étendue.

### ÉGALISEUR

Les canaux d'entrée du système EXPEDITION EXPRESS sont équipés d'un égaliseur 2 bandes vous permettant de régler la présence des graves et des aigus indépendamment sur chaque canal. Réglez les potentiomètres en position centrale pour obtenir une réponse en fréquence plate sur le canal.

#### 1 HIGH

Tournez le potentiomètre HIGH vers la droite pour augmenter le gain dans les aigus (12 KHz, +15dB max.) et vers la gauche pour réduire le gain dans les aigus (12 KHz, -15 dB max.).

#### 2 LOW

Tournez le potentiomètre LOW vers la droite pour augmenter le gain dans les graves (80 Hz, +15 dB max.) et vers la gauche pour réduire le gain dans les graves (80 Hz, -15 dB max.).

#### 3 REVERB

Le système EXPEDITION EXPRESS intègre des effets numériques haut de gamme dont l'intensité peut être réglée indépendamment sur chaque canal. Le potentiomètre REVERB d'un canal contrôle ainsi le niveau du signal transmis au bus REVERB. Le signal du bus REVERB est ensuite affecté au bloc d'effets du DSP interne pour y être traité en interne.

#### 4 PAN (entrées mono 1 et 2 uniquement)

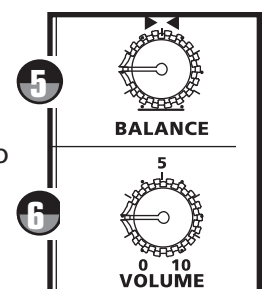
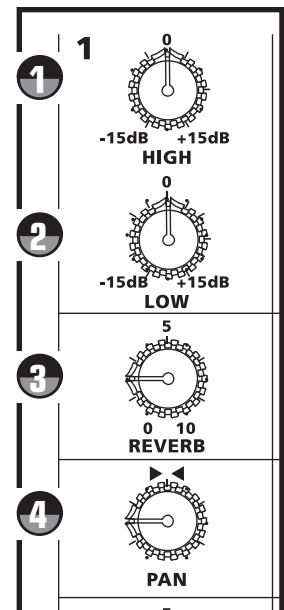
Le potentiomètre PAN vous permet de positionner (ou "placer") le signal mono sur le bus stéréo gauche/droite général. Vous pouvez ainsi créer une image stéréo en disposant certains signaux à gauche et d'autres à droite du champ panoramique.

#### 5 BALANCE (entrée stéréo 3/4 uniquement)

Le potentiomètre BALANCE vous permet de corriger les différences de niveau entre les bus gauche et droit du mixage stéréo général.

#### 6 VOLUME

Le potentiomètre VOLUME vous permet de contrôler le niveau général d'entrée sur le canal. Le potentiomètre VOLUME est de type logarithmique (plage de réglage non linéaire) et n'est pas cranté afin d'adoucir les réglages.



# Réglages et fonctions

## SECTION MASTER

### SECTIONS D'EFFETS NUMÉRIQUES

Le système EXPEDITION EXPRESS intègre un DSP haut de gamme vous permettant de profiter de somptueuses réverbérations de qualité studio. La section suivante vous présente les caractéristiques de ce puissant DSP intégré.

#### 7 Sélecteur d'effets DSP

Ce sélecteur vous permet de choisir parmi les 6 effets numériques intégrés. Placez simplement le repère du sélecteur face au Preset souhaité.

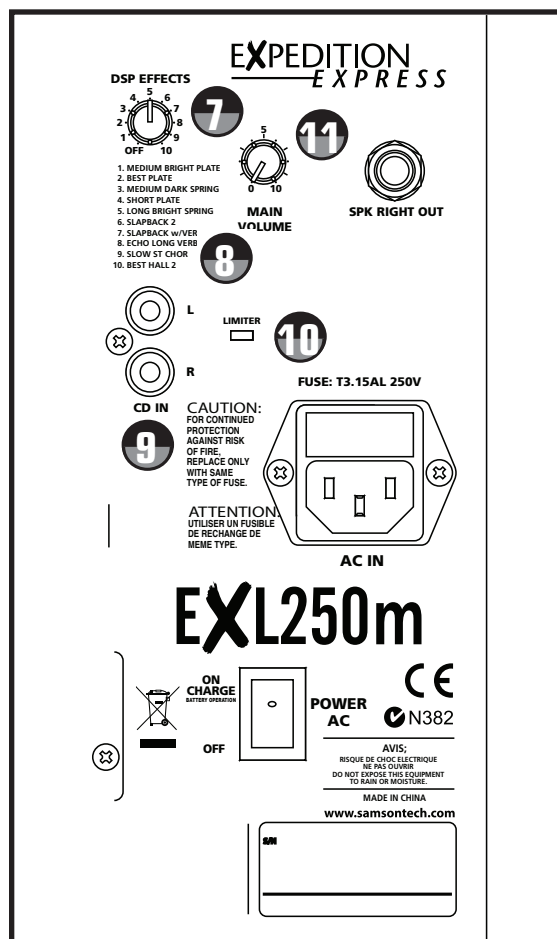
#### 8 Liste des Presets d'effets

Cette partie de l'appareil présente les six effets proposés par le DSP interne. La liste des Presets d'effets est la suivante :

1. MEDIUM BRIGHT PLATE
2. BEST PLATE
3. MEDIUM DARK SPRING
4. SHORT PLATE
5. LONG BRIGHT SPRING
6. SLAPBACK 2
7. SLAPBACK w/VERB
8. ECHO LONG VERB
9. SLOW ST CHOR
10. BEST HALL 2

#### 9 CD Input

L'entrée CD IN vous permet de connecter une source externe de type platine CD, cassette, ou Mini Disk. Les possibilités de mixage du système EXPEDITION EXPRESS vous permettent en outre de régler le niveau de ce signal et de le mélanger avec celui des autres canaux. Le signal affecté à l'entrée CD IN est transmis en entrée du canal stéréo ; le niveau et la tonalité sont alors contrôlés par les réglages VOLUME, HIGH et LOW des canaux 3/4.



**NOTE :** Veillez à régler le potentiomètre REVERB au minimum (Off) sur le canal 3/4 lors de la lecture des CD.

### LIMITER

Le limiteur intégré est toujours activé afin de garantir une protection optimale pour l'enceinte.

#### 10 TÉMOIN LIMITER

La Led s'allume pour indiquer que le limiteur a détecté une crête et que la réduction de gain automatique est activée.

**NOTE :** Réglez le potentiomètre MAIN VOLUME de sorte que le témoin LIMITER ne clignote que brièvement pour éviter la distorsion.

#### 11 POTENTIOMÈTRE MAIN VOLUME

Le potentiomètre MAIN VOLUME sert au réglage général du niveau sur les deux enceintes.



# Réglages et fonctions

## CONNECTEURS D'ENTRÉE/SORTIE

### Entrées/sorties du système Expedition Express

**1 Entrées niveau ligne - canaux d'entrées mono 1, 2**  
Utilisez ces entrées pour connecter les synthétiseurs, boîtes à rythmes, processeurs d'effets ou tout signal à niveau ligne. Les entrées LINE fonctionnent avec un niveau nominal de -40 dB à -10 dB. Câblage du connecteur jack stéréo - Corps : Masse, Pointe : Chaud (+), Bague : Froid (-)

**2 Entrées micro - canaux d'entrées mono 1, 2**  
Utilisez ces entrées pour connecter les micros basse impédance et les signaux de faible niveau des boîtiers de direct. Les entrées MIC fonctionnent avec un niveau nominal de -50 dB à -20 dB. Les entrées MIC présentent également une alimentation fantôme +24 V, autorisant l'utilisation de micros à condensateur. Câblage des connecteurs XLR - Broche 1: Masse, Broche 2 : Chaud (+), Broche : Froid (-)

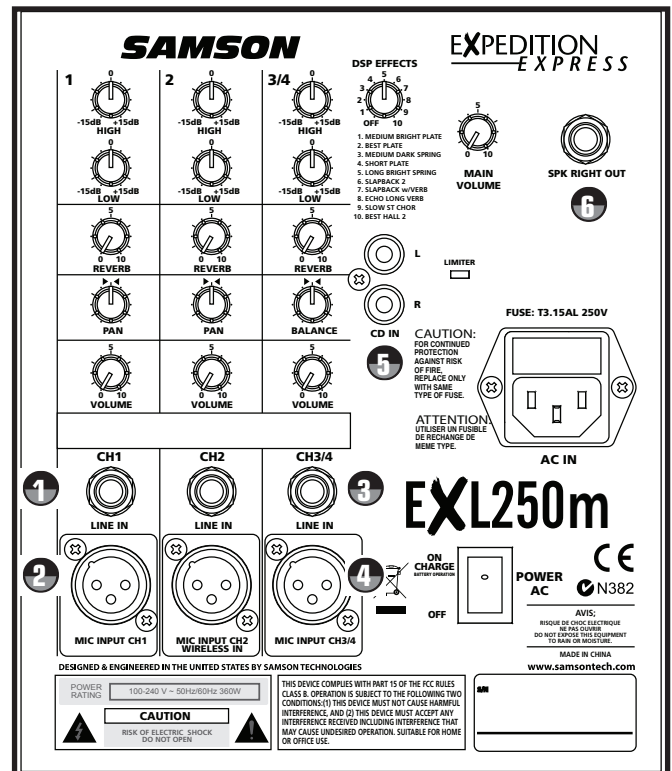
**3 Entrées niveau ligne - entrées stéréo canaux 3/4**  
Le canal stéréo du système Expedition Express est équipé d'une entrée stéréo à niveau ligne (LINE). Vous pouvez transmettre ici les sorties de vos appareils stéréo de type synthétiseurs, boîtes à rythmes, processeurs d'effets ou tout autre signal stéréo à niveau ligne. Les entrées LINE fonctionnent à un niveau nominal de -40 dB à -10 dB. Câblage des connecteurs jack stéréo - Corps : Masse, Pointe : Gauche, Bague : Droite.

**4 Entrées micro - entrées mono canaux 3/4**  
Le canal stéréo du système Expedition Express est également équipé d'une entrée micro (MIC) sur connecteur XLR. L'entrée micro fonctionne à un niveau nominal de -50 dB à -20 dB. L'entrée micro offre par ailleurs une alimentation fantôme +24 V, vous permettant d'utiliser des micros à condensateur. Câblage du connecteur XLR - Broche 1 : Masse, Broche 2 : Chaud (+), Broche 3 : Froid (-)

**5 Entrée CD**  
Le système Expedition Express est doté d'une entrée dédiée à la connexion de platines CD, cassette, de Mini Disk, voire à la réception de signaux audio d'un appareil de type magnétoscope. Les connecteurs de l'entrée CD sont de type RCA.

**6 Sortie Spk Right Out (vers EX25e)**  
Cette sortie permet de relier l'enceinte amplifiée EXL250m à l'enceinte secondaire EXL250e. Reliez à l'aide du câble d'enceintes fourni le connecteur SPEAKER RIGHT OUT au connecteur SPEAKER INPUT en face arrière de l'enceinte EXL250e.

**NOTE :** L'enceinte EXL250e est optimisée pour une utilisation avec l'enceinte amplifiée EXL250m ; il est par conséquent déconseillé d'utiliser une autre enceinte à sa place. Si vous reliez une enceinte différente de la EXL250e au connecteur SPEAKER RIGHT OUT de la EXL250m, assurez-vous que l'impédance totale de cette enceinte secondaire n'excède pas 8 Ohms. La connexion d'enceintes avec une impédance totale inférieure à 8 Ohms (4 ou 2 Ohms, par exemple) risque d'endommager les appareils.



# Utilisation du système EXPEDITION EXPRESS

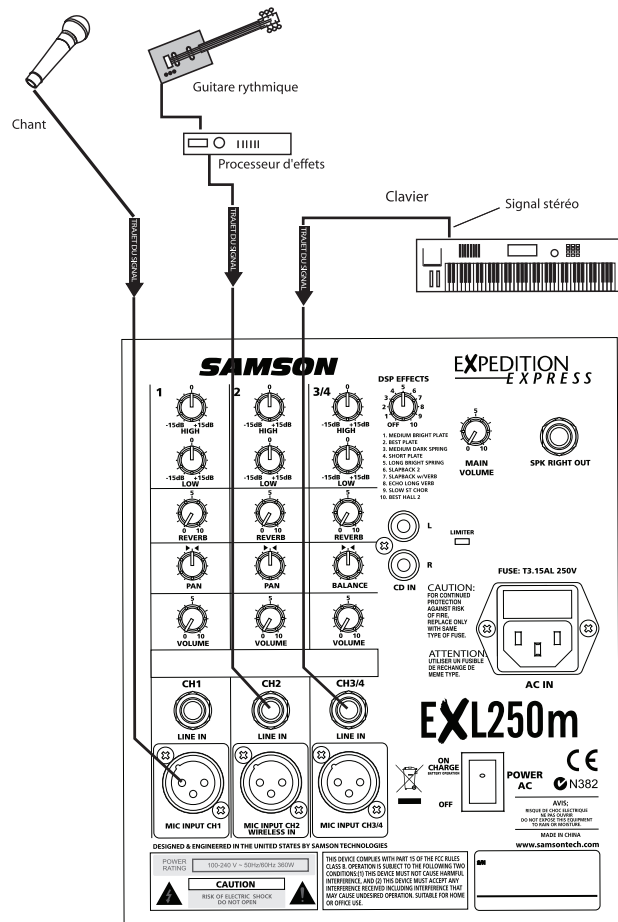
## UTILISATION ÉLÉMENTAIRE

La section suivante vous indique comment utiliser le EXPEDITION EXPRESS de manière élémentaire.

### CONNEXION DE MICROS ET D'INSTRUMENTS

1. Avant de connecter les micros ou les instruments, assurez-vous que tous les appareils, y-compris le système EXPEDITION EXPRESS sont hors tension. Assurez-vous également que le potentiomètre MAIN VOLUME est réglé au minimum.
2. Reliez les câbles de vos micros et instruments aux connecteurs appropriés du système EXPEDITION EXPRESS.
3. Placez les périphériques sous tension, puis le système EXPEDITION EXPRESS.

- NOTE :** Rappelez-vous toujours cette règle d'or en audio... "**Dernier allumé, premier éteint**". En d'autres termes, lorsque vous allumez vos appareils, placez toujours sous tension les amplificateurs de puissance ou les enceintes amplifiées EN DERNIER et placez-les toujours hors tension EN PREMIER lorsque vous éteignez vos appareils. Vous éviterez ainsi les bruits de commutation à la mise sous-tension qui peuvent endommager votre système d'écoute.
4. Réglez le potentiomètre MAIN VOLUME du système EXPEDITION EXPRESS en position "5".
  5. Parlez au micro (ou jouez d'un instrument) et réglez dans le même temps le potentiomètre VOLUME du canal utilisé au niveau souhaité.
  6. Vous pouvez ensuite régler la tonalité de chaque canal à l'aide des commandes d'égalisation.



### Utilisation de la station d'accueil

Les EXL250 disposent d'une station d'accueil MP3 intégrée, qui peut être logée dans un compartiment spécial au-dessus du mélangeur de l'enceinte. Elle vous permet d'installer un lecteur de MP3 pour diffuser de la musique pendant les présentations ou les spectacles. Cette station d'accueil est compatible avec la plupart des lecteurs de MP3 munis d'un connecteur 30 broches (sous le lecteur). Suivez la procédure ci-dessous pour installer votre lecteur de MP3.

- Si votre lecteur de MP3 était fourni avec un adaptateur pour station d'accueil, placez-le dans la station de l'enceinte EXL250.
- Tirez sur la pince de fixation à ressort pour l'ouvrir, puis glissez votre lecteur de MP3 en place en vous assurant que le connecteur 30 broches soit correctement aligné.
- Si votre lecteur de MP3 est très mince, retirez-le puis insérez la mousse EVA fournie.
- Tirez ensuite sur la pince de fixation à ressort pour l'ouvrir, puis réinstallez votre lecteur de MP3.
- Relâchez doucement la pince de fixation à ressort pour qu'elle maintienne votre lecteur de MP3 en place.



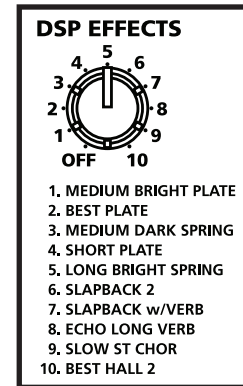
# Utilisation du système EXPEDITION EXPRESS

## UTILISATION DES EFFETS NUMÉRIQUES

Le système EXPEDITION EXPRESS est doté d'un processeur de signal numérique (DSP) intégré de haute qualité, qui propose des réverbérations et délais de qualité studio. Vous pouvez appliquer les effets numériques au signal de chaque entrée en utilisant le réglage REVERB de la voie. Cette section porte sur l'utilisation des effets DSP intégrés :

1. Connectez un micro ou un instrument au canal souhaité et réglez le volume et l'égalisation à votre convenance.
2. Sélectionnez ensuite le Preset d'effet souhaité à l'aide du codeur rotatif DSP EFFECT. Les options proposées sont les suivantes :

1. MEDIUM BRIGHT PLATE
2. BEST PLATE
3. MEDIUM DARK SPRING
4. SHORT PLATE
5. LONG BRIGHT SPRING
6. SLAPBACK 2
7. SLAPBACK w/VERB
8. ECHO LONG VERB
9. SLOW ST CHOR
10. BEST HALL 2



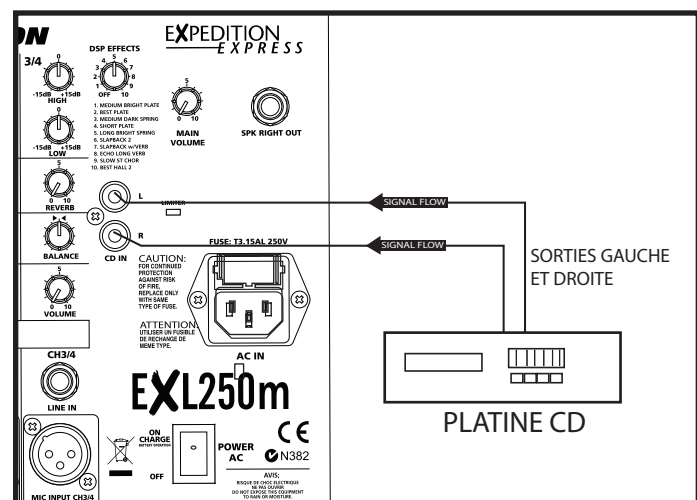
4. Une fois le Preset d'effet sélectionné, tournez vers la droite le potentiomètre Reverb des canaux sur lesquels vous souhaitez appliquer l'effet numérique.

**NOTE-:** En cas de distorsion du signal d'effet, baissez le niveau de la réverbération sur chaque canal.

## ÉCOUTE D'UN CD SUR L'ENTRÉE CD INPUT

Le système EXPEDITION EXPRESS est équipé d'une entrée permettant la connexion d'équipements stéréo de type platine CD, cassette ou d'un Mini Disk. La procédure suivante vous indique comment exploiter le signal d'une platine CD, cassette ou d'un MD sur l'entrée CD du système EXPEDITION EXPRESS.

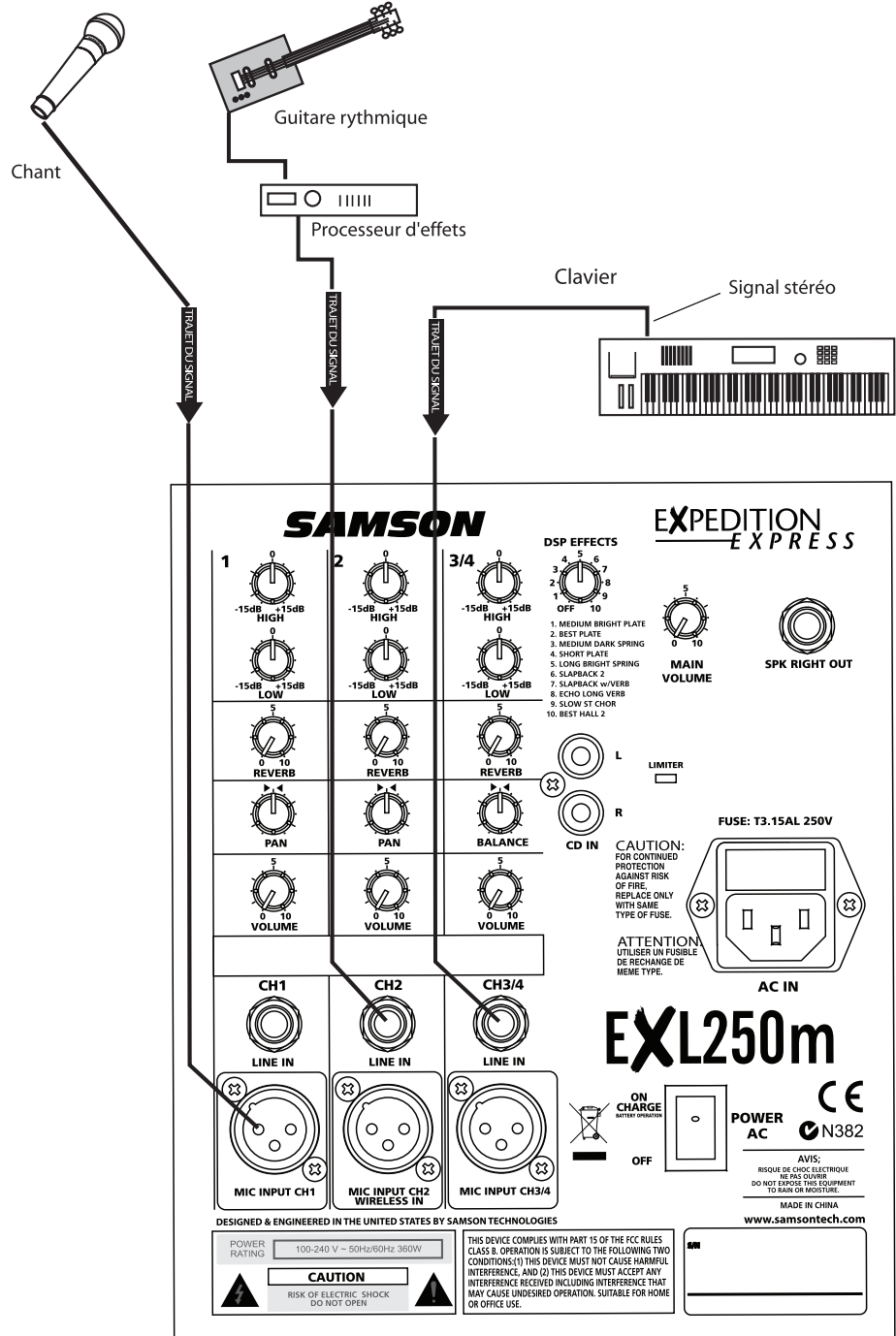
1. Tournez le potentiomètre VOLUME du canal 3/4 au minimum.
2. Réglez le potentiomètre MAIN VOLUME en position "5".
3. Lancez la lecture sur la platine CD, cassette ou sur le MD et tournez progressivement le potentiomètre VOLUME du canal 3/4 jusqu'au niveau souhaité.



# Configuration du système EXPEDITION EXPRESS

## CONFIGURATION D'UN SYSTÈME DE SONORISATION EXPEDITION EXPRESS

La figure ci-contre présente le système EXPEDITION EXPRESS dans sa configuration pour la sonorisation. Le micro est connecté à l'entrée micro du canal 1. La sortie du processeur d'effets guitare est connectée à l'entrée ligne du canal 2. Le clavier stéréo est connecté à l'entrée stéréo du canal 3/4.



# Accessoires en option ACCUMULATEUR RECHARGEABLE RB2030

L'accumulateur Samson RB2030 est conçu pour les enceintes Expedition EXL250, XPL200 et XPL300. Le RB2030 est composé de quatre piles sèches (12 Vcc, 3,3 A). Un RB2030 chargé au maximum peut alimenter une XPL250, XPL200 ou XPL300 pendant environ 3-4 heures, avec un volume relativement élevé. Le même accumulateur peut atteindre une autonomie de 7-8 heures à des niveaux plus faibles. **NOTE :** L'autonomie varie en fonction du volume réel (celui du son que vous entendez) et non en fonction de la position des potentiomètres de réglage du volume.

Utilisé avec précautions, l'accumulateur RB2030 peut rester opérationnel pendant plusieurs années. Lisez attentivement les instructions suivantes et sachez que l'accumulateur vous est vendu déchargé.

## Pièces fournies :

- 1 Accumulateur RB2030 à éléments secs
- 4 Vis M4 x 14
- 4 Vis M6 x 12

## Instructions d'installation de l'accumulateur

1 Placez-vous derrière l'enceinte Expedition et posez celle-ci face contre terre sur une surface lisse de manière à ne pas abîmer la grille. (figure 1)

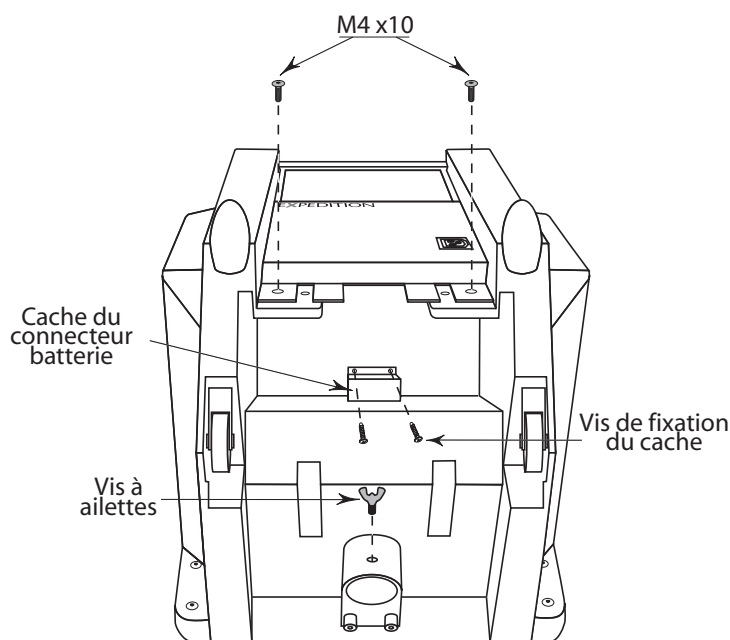


figure 1

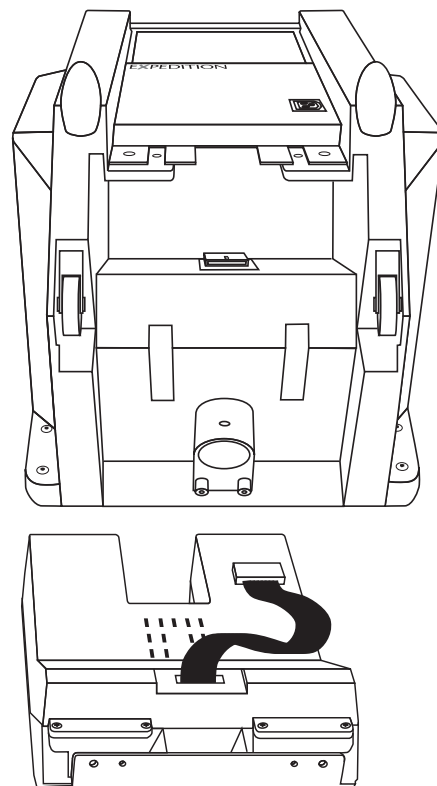


figure 2

# Accessoires en option ACCUMULATEUR RECHARGEABLE RB2030

2 À l'aide d'un tournevis cruciforme, retirez les 2 vis et le cache du connecteur de l'accumulateur.

**Note :** rangez le cache et les vis de manière à pouvoir les retrouver par la suite. Retirez les deux vis M4 x 10 au bas du panneau arrière (à réutiliser à l'étape 6) ainsi que la vis à ailettes (figure 1).

3 Aligned l'accumulateur avec l'enceinte tel qu'indiqué par la figure 2 ; calez sa base contre l'XPL200 ou l'XPL300 tel qu'indiqué par la figure 3.

4 Connectez le câble de l'accumulateur tel qu'indiqué par la figure 3. **IMPORTANT ! Les deux connecteurs du câble (côté accumulateur et côté enceinte) présentent des détrompeurs. Assurez-vous que ce câble est correctement connecté, au risque sinon, de court-circuiter l'accumulateur (risque d'incendie et/ou risque d'endommager l'amplificateur interne).**

5 Relevez l'accumulateur en place et remontez les deux vis M4 x 14 (trous extérieurs) et les deux vis M6 x 12 (trous intérieurs) sur le battant. Utilisez les deux vis M4 x 10 (dévisser à l'étape 2) pour assurer la fixation de la base de l'accumulateur sur l'enceinte.

## Chargement de l'accumulateur

L'accumulateur RB2030 doit être mis à pleine charge avant emploi. Après avoir suivi la procédure d'installation exposée ci-dessus, connectez l'XPL200 ou l'XPL300 à une prise secteur et placez l'appareil sous tension. Il faut environ 8 heures pour amener l'accumulateur à pleine charge. Lors des utilisations ultérieures, 4 heures suffisent pour une charge complète. L'afficheur de charge de l'accumulateur en face arrière de l'enceinte XPL200 ou XPL300 n'est activé que lorsque le cordon secteur (ac) est déconnecté.

**IMPORTANT :** L'accumulateur RB2030 doit être complètement rechargé après chaque utilisation.

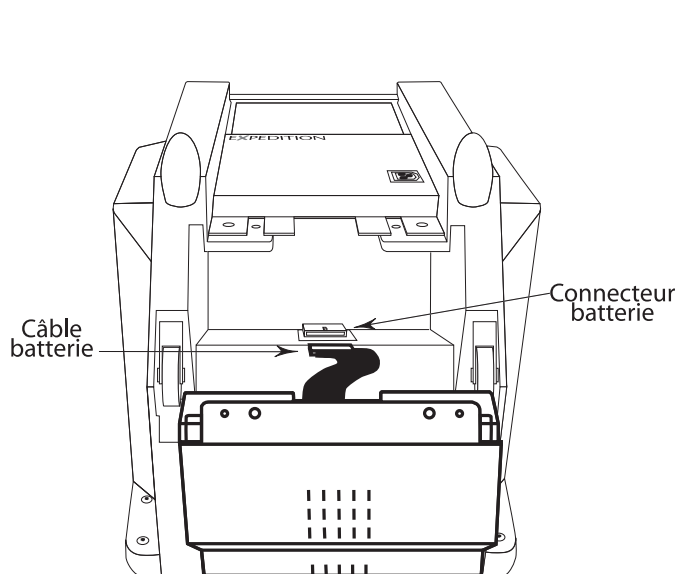


figure 3

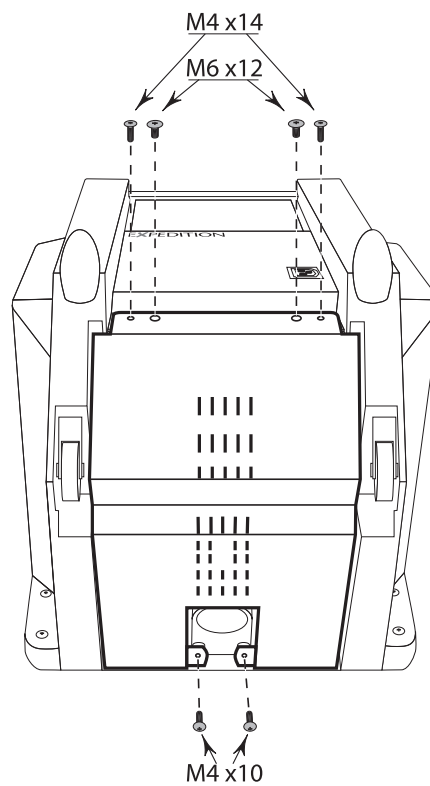


figure 4

## Accessoires en option CONFIGURATION SANS FIL / MONTAGE SUR PIED

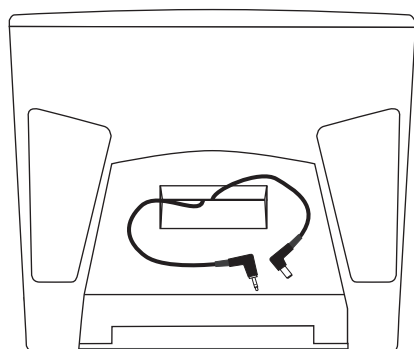


figure 1

Tel qu'indiqué dans la Figure 1 (à gauche), le panneau supérieur des Expedition EXL250, XPL200 et XPL300 possède un compartiment pré-câblé pouvant accueillir l'un des trois différents récepteurs sans fil de Samson : les modèles UHF UM1 ou AM1. Le signal de sortie du récepteur sans fil installé dans l'EXL250 est acheminé à la voie 2 du mélangeur intégré.

### Connexion d'un récepteur micro sur le système Expedition

- 1 Retirez le cache du compartiment sans fil en le dégageant du panneau supérieur de l'enceinte Expedition. (voir figure 1)
- 2 Dégagez délicatement les câbles d'alimentation et audio du compartiment.
- 3 Reliez le câble d'alimentation au connecteur DC Input de votre récepteur VM1, UM1 ou M32 Samson.
- 4 Connectez le câble audio à la sortie audio de votre récepteur VM1, UM1 ou M32 Samson.
- 5 Le signal audio du récepteur est transmis au canal 2 du mélangeur de la XPL300.

### Montage sur pied - Procédures et précautions

Une embase pour pied de 3,5 cm est intégrée sous l'Expedition afin de vous permettre de la monter sur n'importe quel pied d'enceinte standard (comme les pieds Samson TA50 ou TA100). Ce type de configuration est recommandé pour couvrir une surface plus importante (c'est-à-dire maximiser la portée des enceintes).

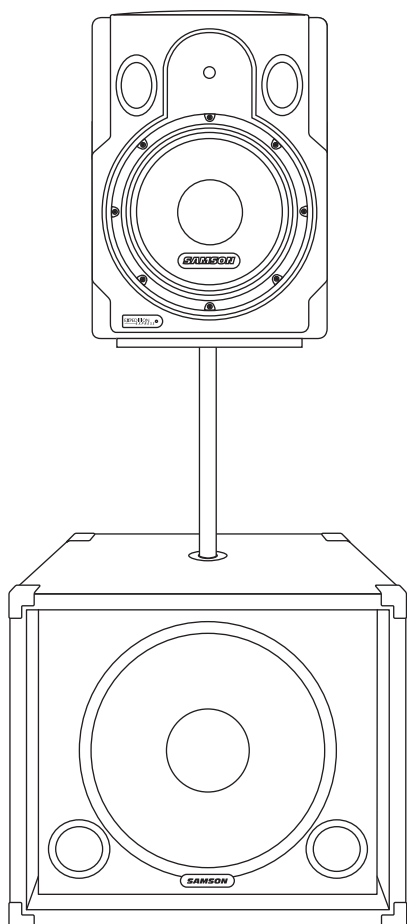
Si vous utilisez un Subwoofer dB1500a, vous pouvez insérer un pied pour enceinte Samson TS20 dans son embase intégrée pour monter une EXL250m ou EXL250e directement au-dessus et constituer une colonne de son complète.

Installez les supports soigneusement. Veillez en particulier à ce que les fixations soient bien assurées (en conformité avec les recommandations du fabricant) et en vous assurant que le pied supporte effectivement le poids de l'enceinte.

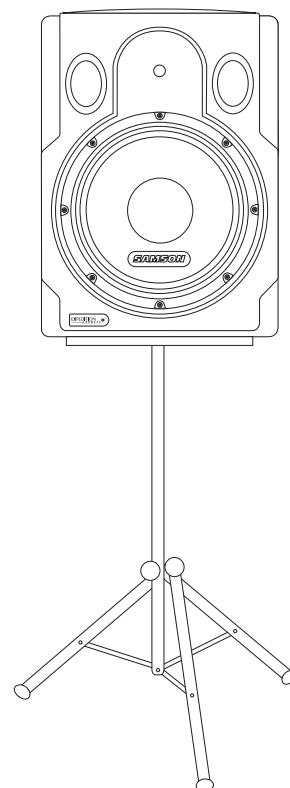
Installez les enceintes et les supports à l'écart du public, en veillant à ce que les ensembles ne puissent pas tomber ou basculer et blesser quelqu'un.

**ATTENTION DANGER !** Le montage des enceintes sur leurs supports doit être exécuté par un personnel qualifié.

La responsabilité de Samson ne pourra être engagée en aucune manière en cas de dommages impliquant les enceintes Expedition.



EXL250 montée en colonne sur un dB1500a



XPL300 montée sur un pied standard

---

# Einleitung

Herzlichen Glückwunsch zum Kauf des Samson Expedition Express! Mehr als diese tragbare Kompaktanlage wird nicht benötigt, um an jedem Ort einen mächtigen Konzertklang zu erzeugen. Das Expedition Express ist ein komplettes, leichtes PA-System, bestehend aus einer EXL250m Aktivbox mit integriertem 4-Kanal Mischer, der EXL250e Extensionbox, einem Samson R21 Dynamikmikrofon, der gesamten Verkabelung sowie praktischen Taschen zur Unterbringung des Zubehörs. Dank 250 Watt Ausgangsleistung in zwei 12" 2-Weg Lautsprecher erhalten Sie einen lauten und klaren Sound. Das EXL250m-Gehäuse enthält eine interne Endstufe mit 2 x 125 Watt saubere Stereopower bei bemerkenswert geringem Gewicht dank Class D-Design. Jedes 2-Weg Lautsprechergehäuse des Expedition Express zeichnet sich aus durch einen hoch belastbaren Bass-Spezialtreiber für besonders tiefe Bässe sowie einen 1" Titan Kompressionstreiber für klare, differenzierte Höhen. Der leistungsstarke Expedition Express-Mischer bietet drei Mikrofoneingänge, deren Signale durch die üppigen Reverbs der internen DSP-Effekte noch verfeinert werden. Zudem ist eine 30-Pol, MP3 Player Dockingstation integriert, die mit vielen populären Playern kompatibel ist. Für den einfachen Transport lässt sich die EX250e Extensionbox via mitgelieferter Flanschverbindung auf der EX250 stapeln und verriegeln. Nach Überstreifen des Schutzbezugs kann die gestapelte PA sofort mit den integrierten Rollen der EX250m transportiert werden. Noch mehr Flexibilität erhalten Sie mit Samsons optionalen TS50 und TS100 Boxenstativen, der MP1020 Wandbefestigung, dem UM1 Drahtlosmikrofonsystem und dem RB2030 Akku, mit dem sich diese vielseitige eigenständige PA überall betreiben lässt. Wenn Sie ein tragbares Soundsystem für Schulen, Gotteshäuser, kleine Bands, Kabarettkünstler oder fast alle anderen PA-Anwendungen benötigen, ist das Expedition Express das ideale System für Sie.

Auf diesen Seiten finden Sie eine detaillierte Beschreibung der Funktionen des Expedition Express PA-Systems und der vorder- und rückseitigen Bedienfelder sowie schrittweise Anleitungen für die Einrichtung und Anwendung plus umfassende Spezifikationen. Bitte vergessen Sie nicht, die beiliegende Garantiekarte ausgefüllt an uns zurückzusenden, damit Sie online technischen Support erhalten und wir Ihnen zukünftig aktualisierte Informationen über diese und andere Samson-Produkte zusenden können. Besuchen Sie auch unsere Website ([www.samsontech.com](http://www.samsontech.com)), auf der Sie umfassende Informationen über unsere gesamte Produktlinie finden.

Bei korrekter Behandlung und angemessener Belüftung wird Ihr EXPEDITION EXPRESS viele Jahre störungsfrei arbeiten. Die Seriennummer Ihres Geräts sollten Sie sicherheitshalber in der Zeile unten eintragen.

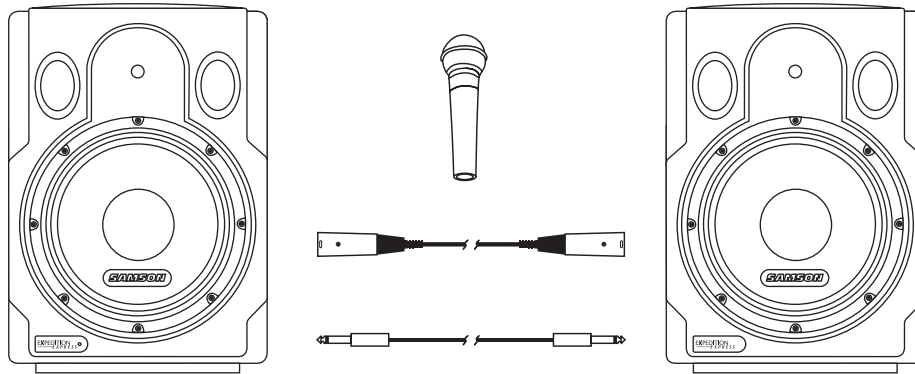
Seriennummer: \_\_\_\_\_

Kaufdatum: \_\_\_\_\_

Sollte Ihr Gerät einmal gewartet werden müssen, besorgen Sie sich vor der Rücksendung an Samson bitte eine Return Authorization Number (RA) (Rückgabeberechtigungsnummer). Ohne diese Nummer wird das Gerät nicht angenommen. Bitte rufen Sie Samson unter der Nummer 1-800-3SAMSON (1-800-372-6766) an, um eine RA-Nummer vor der Rücksendung zu erhalten. Heben Sie das Original-Verpackungsmaterial auf und schicken Sie das Gerät, falls möglich, im Originalkarton und mit dem Originalverpackungsmaterial zurück. Wenn Sie Ihr Samson-Produkt außerhalb der USA gekauft haben, setzen Sie sich wegen Informationen zu Garantie und Service bitte mit Ihrem lokalen Vertrieb in Verbindung.



# Expedition Express Features



Das leichte, tragbare Samson Expedition Express PA-System mit integrierten DSP-Effekten ist eine umfassende, eigenständige Lösung für die Live-Beschallung. Einige der wichtigsten Features sind:

- eigenständiges, tragbares PA-System
- voluminöser Konzertklang
- 250 Watt, integrierte 2 x 125 Watt Class D Stereo-Endstufe.
- integrierte DSP-Effekte mit üppigen Reverbs
- zwei 2-Weg Lautsprecher mit robustem 12" Bass-Wandler und 1" Titan-Kompressionstreiber
- Mischer mit 4 Line- / 3 Mic-Eingängen und 2-Band-EQ pro Kanal
- Integrierte 30-Pol MP3 Player Dockingstation.
- R21 Dynamik-Mikrofone mit Kabel und Clip
- 9,15 m Lautsprecherkabel
- Mikrofon- und Kabeltaschen
- Schutzhüllen
- optionaler Batteriebetrieb
- sofortiger Drahtlos-Einsatz
- zu einer rollbaren Einheit stapelbar
- hochwertige, belastbare Konstruktion für zuverlässige Darbietungen in allen Veranstaltungsorten
- 3-jährige erweiterte Garantie

# Expedition Express Systemkomponenten

## Systemkomponenten

Das Expedition Express System besteht aus folgenden Komponenten:

EXL250m Powered Speaker Gehäuse mit integriertem Mischer

EXL250e Extension Speaker Gehäuse

1 x R21 Dynamikmikrofon

1 x 5,5 m Mikrofonkabel

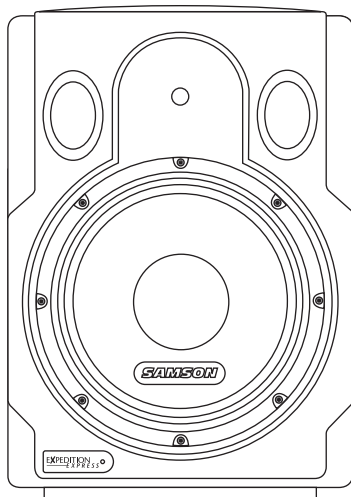
1 x Mikrofon-Clip

1 x 9,15 m Lautsprecherkabel

2 Transporttaschen

2 Schutzhüllen

EX250m Powered Speaker



R21 Mikrofon



Mikro-Clip

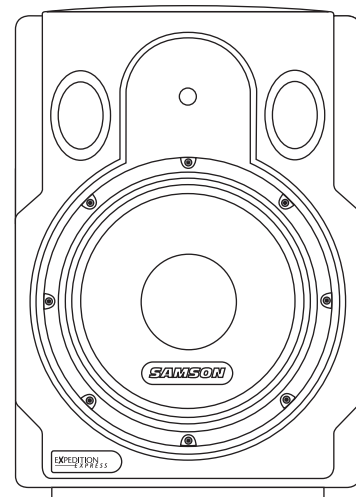
5,5 m Mikrofonkabel



9,15 m Lautsprecherkabel



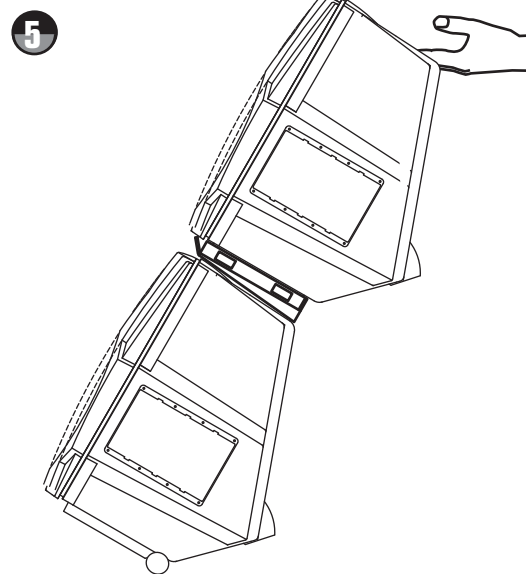
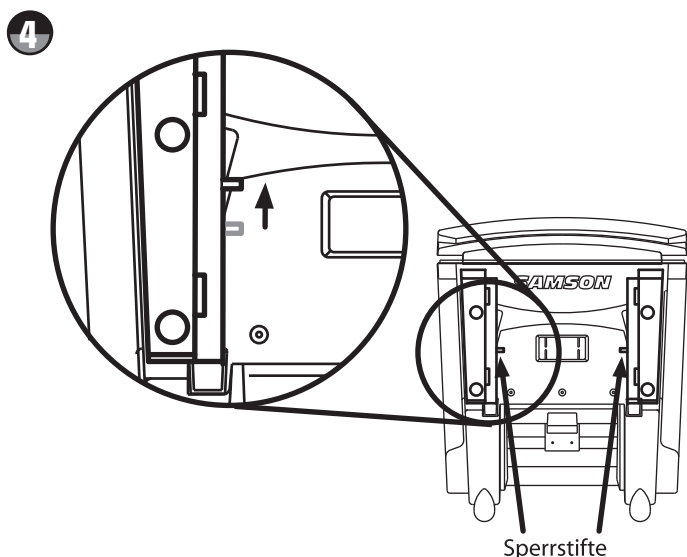
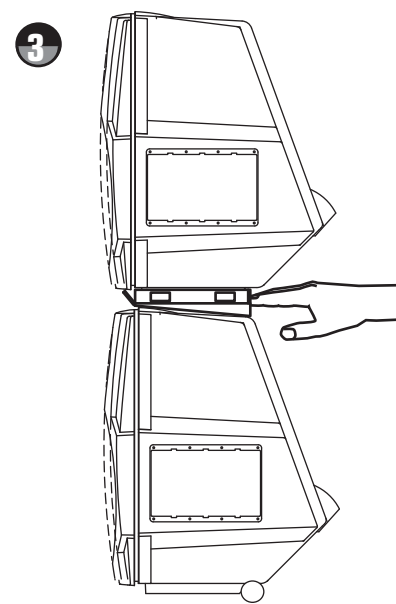
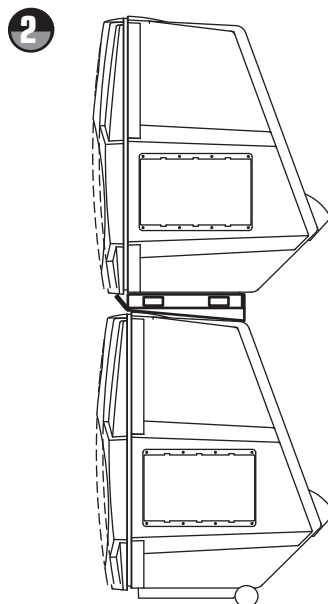
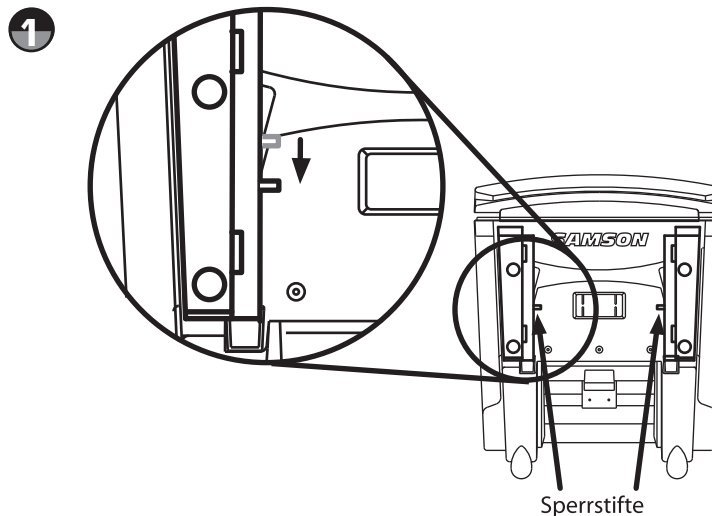
EX250e Extension Speaker



# Expedition Express transportieren

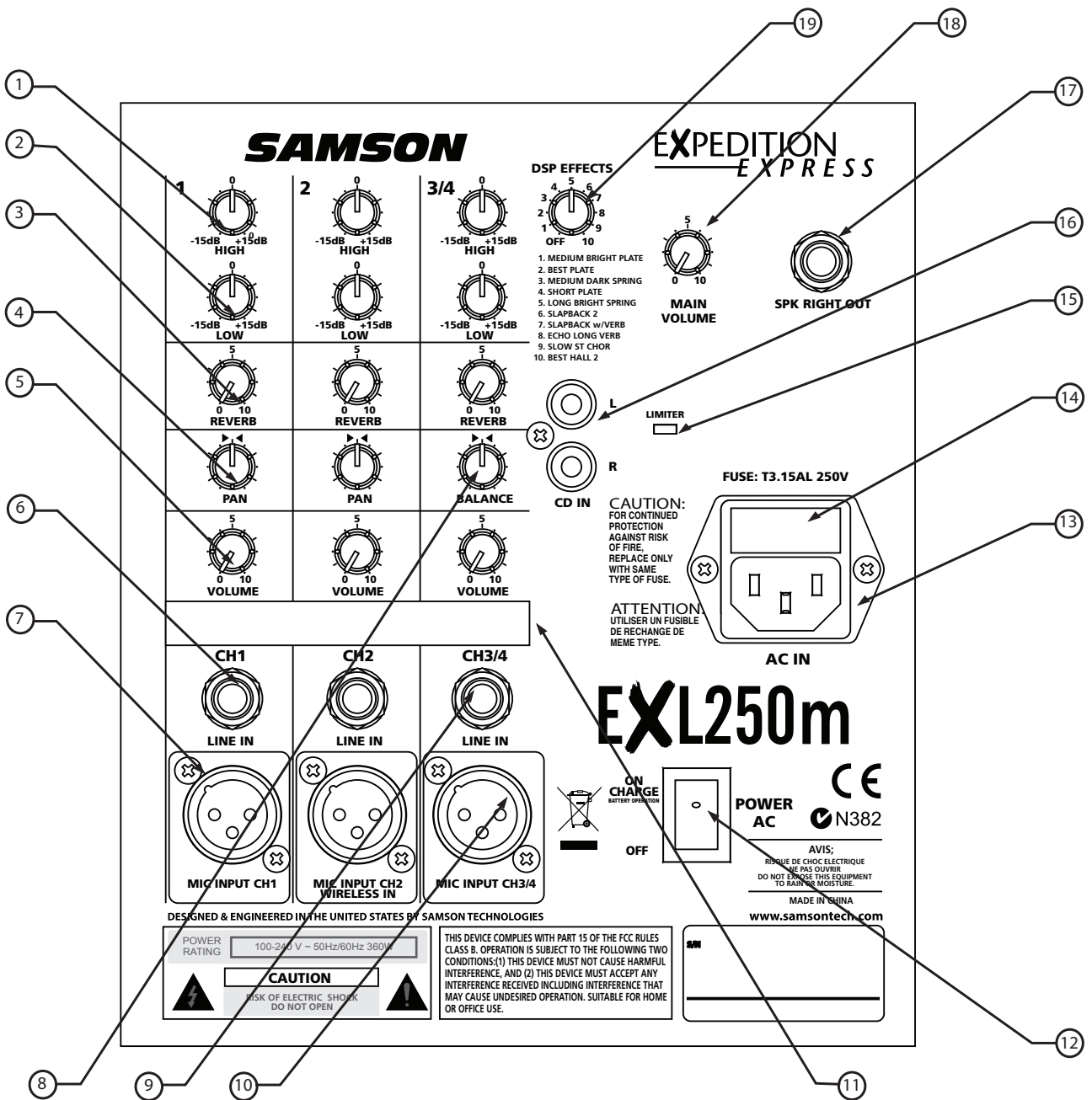
Das Expedition Express lässt sich für den Transport einfach kombinieren und danach bequem tragen oder rollen. Um das Expedition Express zu stapeln und zu rollen, gehen Sie einfach wie folgt vor:

- 1 Um die Sperre zu lösen, suchen Sie die Kopplungshalterung auf der Oberseite des EXL250m Gehäuses und ziehen Sie die beiden Sperrstifte in Richtung Gehäuse-Rückseite.
- 2 Stellen Sie den EXL250e auf den EXL250m und lassen Sie die Kopplungshalterung sich automatisch ausrichten, indem Sie den EXL250e etwas drehen, bis sie sich einpasst.
- 3 Greifen Sie mit der Hand zwischen die beiden Lautsprechergehäuse und schieben Sie die beiden Sperrstifte (auf der Kopplungshalterung) in Richtung Gehäuse-Vorderseite.
- 4 Fassen Sie den Griff auf der Oberseite des EXL250e Gehäuses und rollen Sie los.



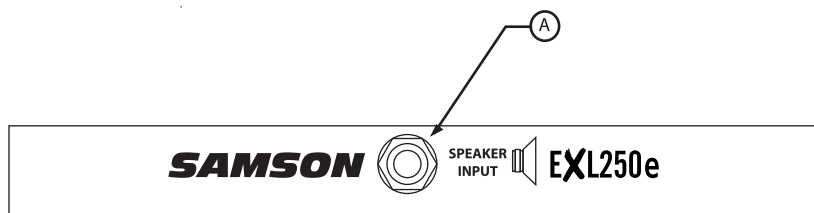
# Expedition Express Rückseite

## EXL250m RÜCKSEITE



DEUTSCHE

## EXL250e RÜCKSEITE



# Expedition Express Rückseite

## EXL250m RÜCKSEITE

- 1 **HIGH FREQUENCY** - Steuert das hohe Band des Kanal-EQs, +/- 15 dB bei 12 kHz.
- 2 **LOW FREQUENCY** - Steuert das tiefe Band des Kanal-EQs, +/- 15 dB bei 80 Hz.
- 3 **REVERB** – Effect Send-Regler – verbunden mit dem internen Effektprozessor.
- 4 **PAN** – Steuert die Position des Kanals zwischen Links/Rechts auf dem Stereo-Bus.
- 5 **VOLUME-REGLER** – Ermöglicht die stufenlose Steuerung von Pegeländerungen.
- 6 **LINE** – Line-Eingang bei Mono-Kanälen.
- 7 **MIC**- XLR-Eingang für niederohmige Mikrofone.
- 8 **BALANCE**- Steuert die Links/Rechts-Platzierung des Stereosignals in der Haupt-Ausgangsmischung.
- 9 **CH 3/4 LINE IN** – Stereo Line TRS-Eingang Spitze=Links, Ring=Rechts, Schirm=Erde
- 10 **CH 3/4 MIC IN** - XLR-Eingang für niederohmige Mikrofone.
- 11 **SCRIBE STRIP** - Zum Kennzeichnen der Kanäle mit abwaschbaren Stiften oder beschriftetem Klebeband.
- 12 **POWER** – Zum Einschalten des EXPEDITION EXPRESS.
- 13 **AC VOLTAGE-SCHALTER** – Wählt die Betriebsspannung. Dieser Schalter muss Ihrem Land entsprechend korrekt eingestellt sein, bevor Sie den EXL250m einschalten.
- 14 **AC POWER ANSCHLUSS** – Zur Verbindung mit einer Netzsteckdose.
- 15 **LIMITER LED** - Leuchtet bei aktivem integriertem Limiter. Bei häufig leuchtender LED ist der EXL250m überlastet. Drehen Sie einen oder mehrere der Channel Volume-Regler oder den Main Volume-Regler zurück.
- 16 **CD-EINGÄNGE** – Zum Anschluss eines CD-, DAT-, Mini Disk-Players oder Cassettenrecorders.
- 17 **SPEAKER OUT** – Zum Anschluss des externen Lautsprechers EXL250e.
- 18 **MAIN VOLUME**- Zum Steuern der Gesamtlautstärke der Hauptmischungs-Ausgänge Left / Right.
- 19 **DSP EFFECTS** - Zum Umschalten zwischen den 6 Presets des internen DSP-Effektprozessors.

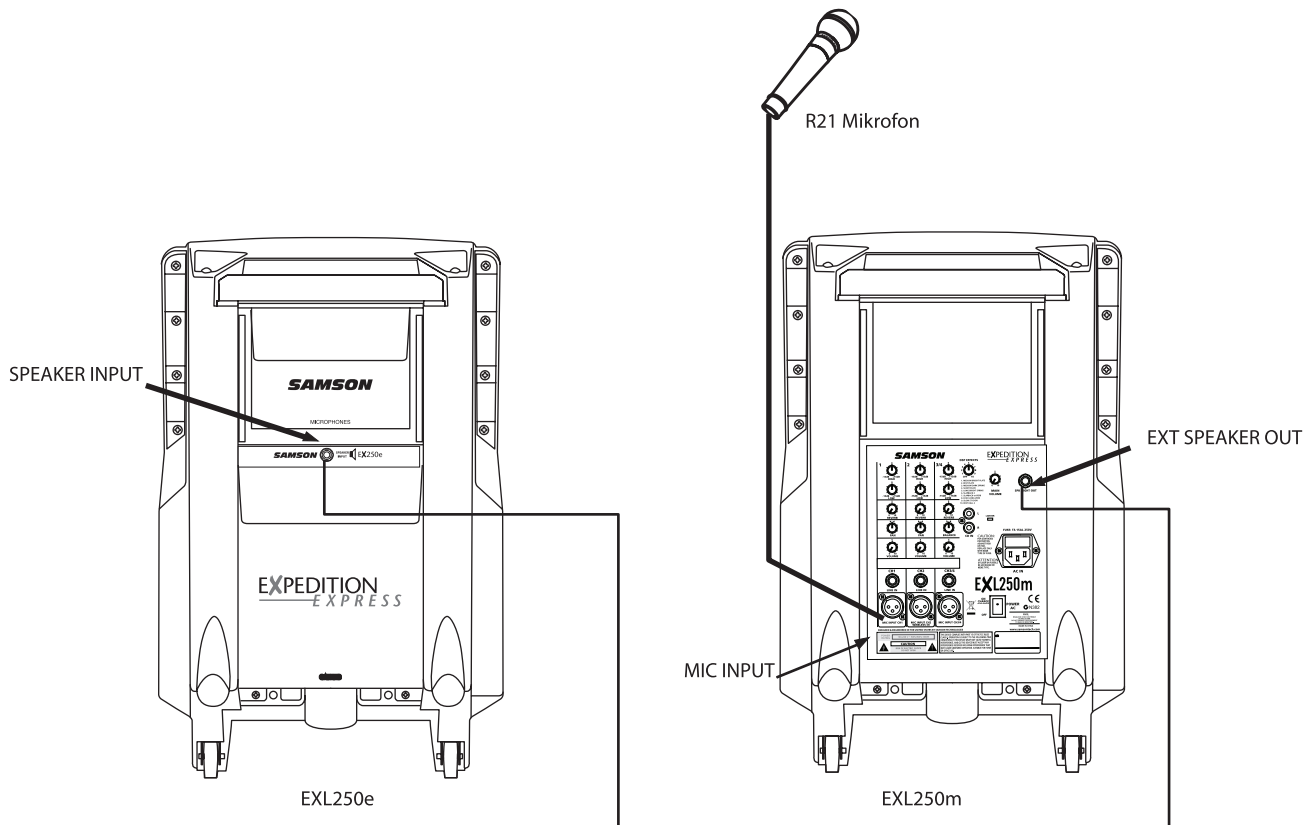
## EXL250e RÜCKSEITE

- A **SPEAKER INPUT** – Verbinden Sie diese Buchse über ein Lautsprecherkabel mit der SPEAKER OUT-Buchse des EXL250m.

# Schnelle Einrichtung

## Schnelle Einrichtung

Auf den Seiten dieses Handbuchs finden Sie eine detaillierte Beschreibung aller Funktionen und Regler des Expedition Express, aber wenn Sie möglichst schnell loslegen möchten, können Sie nach folgenden Schritten vorgehen.

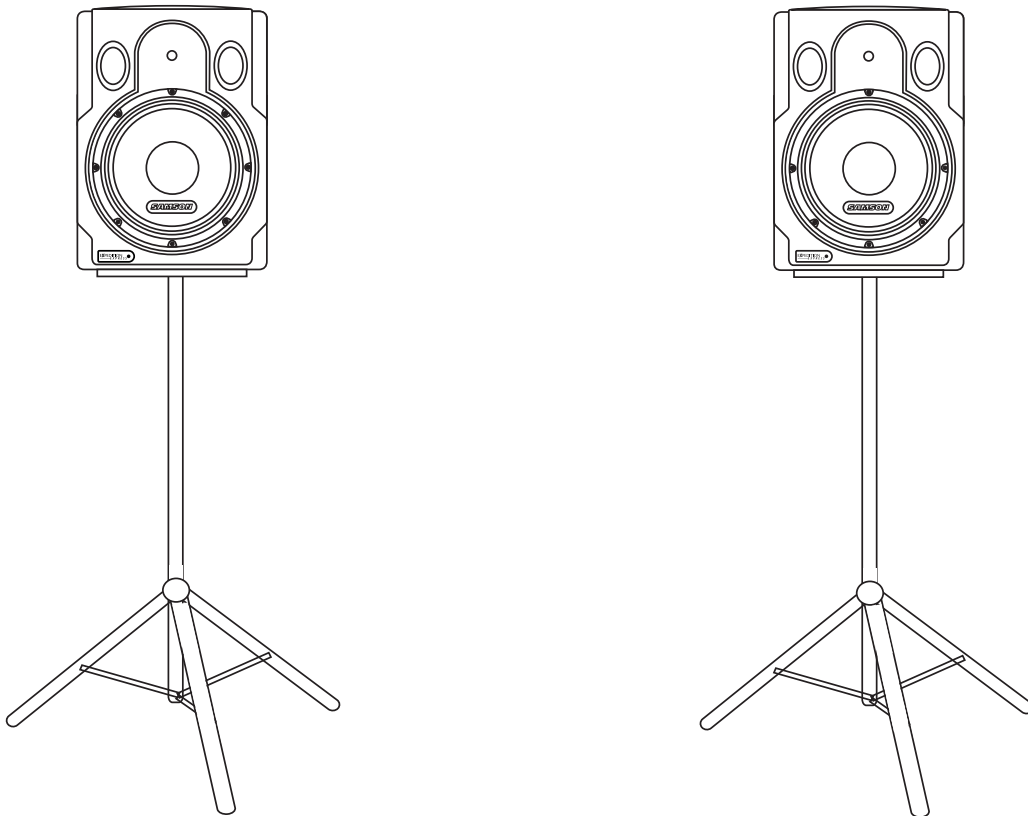


- Achten Sie darauf, dass der Power-Schalter des EXL250m auf OFF eingestellt ist.
- Drehen Sie die MAIN VOLUME- und CHANNEL VOLUME-Regler ganz nach links auf Off.
- Verbinden Sie das mitgelieferte Lautsprecherkabel mit der SPEAKER RIGHT OUT-Buchse des EXL250m und der SPEAKER INPUT-Buchse des EXL250e.
- Schließen Sie das Netzkabel an eine Netzsteckdose an. Stellen Sie den Power-Schalter auf ON ein.
- Verbinden Sie das eine Ende des mitgelieferten Mikrofonkabels mit dem R21 Mikrofon und das andere Ende mit der MIC INPUT-Buchse von Kanal 1 des EXL250m.
- Stellen Sie den MAIN VOLUME-Regler auf "12:00" Uhr ein.
- Sprechen Sie ins Mikrofon und drehen Sie den VOLUME-Regler von Kanal 1 langsam auf, bis Sie den gewünschten Pegel erreichen.

# EXL250 positionieren

## Expedition Express positionieren

Um mit Ihrem PA-System die besten Ergebnisse zu erzielen, sollten Sie der Platzierung der Lautsprecher und der Positionierung der verwendeten Mikrofone besondere Aufmerksamkeit widmen. Durch die korrekte Platzierung der Lautsprecher und Mikrofone können Sie die Lautstärke, die vor dem Einsetzen von Rückkopplungen erreichbar ist, maximieren.



### Mikrofonpositionierung - Wie sich Feedback verringern lässt.

\Unter Feedback (Rückkopplung) versteht man das lästige Heulen und Pfeifen, das erzeugt wird, wenn ein Mikrofon bei hoher Lautstärke in die Nähe der Lautsprecher kommt. Rückkopplung entsteht, wenn ein Mikrofon das von den Lautsprechern verstärkte Signal aufnimmt, dieses durch die Lautsprecher nochmals verstärkt und nochmals vom Mikrofon aufgenommen wird usw. Generell sollte man jedes LIVE-Mikrofon (eingeschaltetes Mikrofon) hinter den Lautsprechergehäusen positionieren. Dadurch erzielen Sie mit Ihrem System den höchstmöglichen Pegel vor dem Feedback. Mögliche Ausnahme: Sie möchten den Sound der Mikrofone einstellen und müssen sich deshalb vor den Lautsprechern positionieren, um möglichst gut zu hören. Drehen Sie in diesem Fall den MAIN VOLUME-Regler zurück und stellen Sie – vor den Lautsprechern stehend – den EQ und die Effekte ein. Nachdem Sie den gewünschten Sound gefunden haben, verlagern Sie die Mikros wieder hinter die Lautsprecher und drehen Sie den MAIN VOLUME-Regler wieder auf.

### Lautsprecher-Platzierung

Sie sollten die Lautsprecher möglichst immer über den Köpfen der Zuhörer positionieren. Das Expedition Express-Gehäuse verfügt über standard 1 3/8" Ständerhalterungen, die mit Boxenständern der verschiedensten Hersteller sowie mit den TS50 und TS100 von Samson kompatibel sind. In kleineren Räumlichkeiten - z. B. einer Schul-Cafeteria, einer Bibliothek oder einem Supermarkt-Kiosk können Sie das Expedition Express auch zurückgekippt aufstellen, was die Projektion der Lautsprecher verbessert und Lautsprecherständer möglicherweise überflüssig macht.

# Regler und Funktionen

## EINGANGSKANAL-SEKTION

Im folgenden Abschnitt wird jede Komponente der EXPEDITION EXPRESS-EINGANGSKANÄLE, inklusive 2-BAND-EQ, REVERB Send, PAN und VOLUME-Regler detailliert beschrieben. Die Eingangskanäle 1 bis 3 des EXPEDITION EXPRESS zeichnen sich durch hochwertige, getrennte Transistor-Vorverstärker mit exzellenter Transparenz und erweitertem Dynamikbereich aus.

### KANAL-EQ

Die Eingangskanäle des EXPEDITION EXPRESS verfügen über einen 2-Band-EQ, mit dem Sie die hohen und tiefen Frequenzen für jeden Kanal getrennt einstellen können. Der Frequenzgang des Kanals ist linear, wenn die Regler auf "12:00" Uhr eingestellt sind.

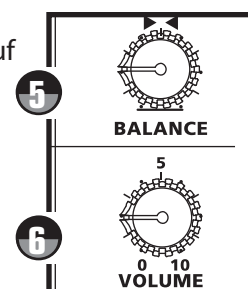
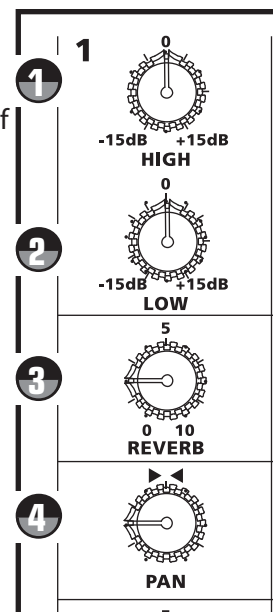
- HIGH**  
Drehen Sie den HIGH-Regler nach rechts, um die Höhen (12 kHz) um max. 15 dB anzuheben, bzw. nach links, um die Höhen um 15 dB abzusenken.
- LOW**  
Drehen Sie den LOW-Regler nach rechts, um die Bässe (80 Hz) um max. 15 dB anzuheben, bzw. nach links, um die Bässe um 15 dB abzusenken.

- REVERB**  
Das EXPEDITION EXPRESS verfügt über hochwertige Digitaleffekte deren Pegel sich für jeden Kanal getrennt einstellen lässt. Der REVERB-Regler des Kanals steuert den Signalanteil, der zum REVERB-Bus geleitet wird. Das Signal des REVERB-Bus wird zur internen DSP-Effektsektion geschickt und dort bearbeitet.

- PAN (nur Mono-Eingänge 1 & 2)**  
Mit dem PAN-Regler des EXPEDITION EXPRESS können Sie das Mono-Signal auf dem Links/Rechts Stereo-Haupt-Bus platzieren bzw. positionieren. Sie können ein Stereobild erzeugen, indem Sie manche Eingangssignale im Panorama nach links und andere nach rechts legen.

- BALANCE (nur Stereo-Eingang 3/4)**  
Mit dem BALANCE-Regler des EXPEDITION EXPRESS können Sie Pegelunterschiede zwischen dem linken und rechten Stereo Haupt-MIX-Bus korrigieren.

- VOLUME**  
Der INPUT VOLUME-Regler des EXPEDITION EXPRESS steuert den Kanal-Gesamtpegel. Der INPUT VOLUME-Regler zeichnet sich durch einen nicht-linearen Verlauf und fehlende Einrastpositionen für stufenlose Blenden aus.





# Regler und Funktionen

## MASTER-SEKTION

### DIGITALEFFEKT-SEKTION

Das EXPEDITION EXPRESS verfügt über einen integrierten Digitaleffektprozessor mit hochwertigen Studioeffekten, z. B. üppigen Reverbs. Der folgende Abschnitt beschreibt die Merkmale des leistungsstarken DSP.

#### 7 SELECT--Schalter (DIGITALEFFEKTE)

Mit dem SELECT-Schalter können Sie einen der 6 integrierten Digitaleffekte wählen. Drehen Sie einfach den SELECT-Regler, um die verschiedenen Effekt-Presets zu wählen.

#### 8 Effekt-Preset-Liste

Diese Sektion bezeichnet die 6 integrierten DSP Effekt-Presets. Dies sind:

- 1 - Plate
- 2 - Stadium
- 3 - Church
- 4 - Large Hall
- 5 - Medium Hall
- 6 - Small Hall

#### 9 CD-Eingang

Über den CD IN-Eingang des EXPEDITION EXPRESS können Sie externe Geräte wie CD- oder Mini Disk-Player und Cassettenrecorder anschließen und deren Signale wiedergeben. Sie können außerdem den Pegel der Signale einstellen und mit den Kanalsignalen mischen. Das an CD IN angeschlossene Signal wird zum Eingang des Stereokanals geleitet, wobei Pegel und Klangfarbe mit den VOLUME-, HIGH- und LOW-Reglern von Kanal 3/4 gesteuert werden.

**ANMERKUNG:** Drehen Sie beim Abspielen einer CD den REVERB-Regler von Kanal 3/4 ganz zurück.

#### LIMITER

Um die Lautsprecher optimal zu schützen, ist der integrierte Limiter immer aktiviert.

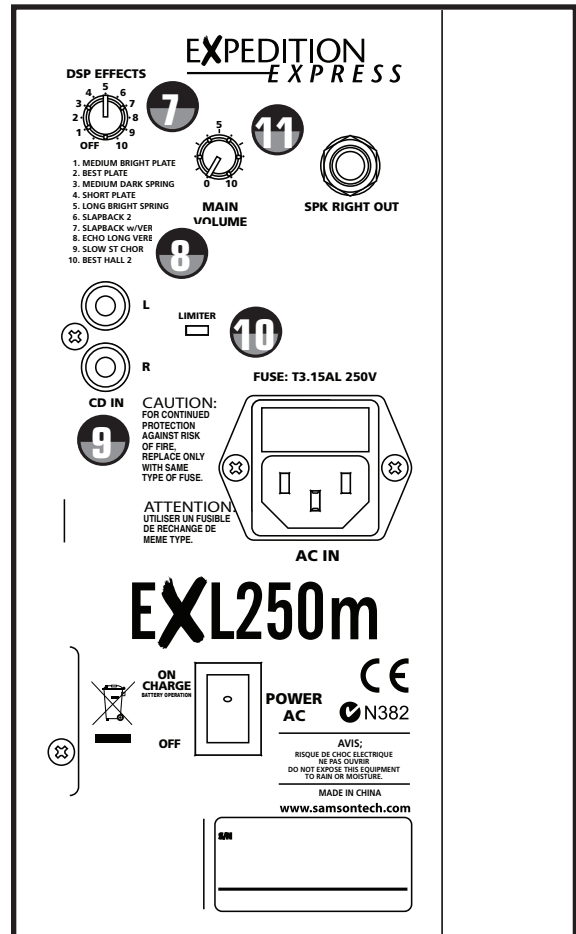
#### 10 LIMITER LED

Die leuchtende LED zeigt an, dass die Limiter-Schaltung eine Pegelspitze erkannt und die automatische Gain-Reduzierung aktiviert hat

**ANMERKUNG:** Um Verzerrungen zu vermeiden, sollten Sie den MAIN LEVEL-Regler so einstellen, dass die LIMITER LED nur gelegentlich leuchtet.

#### 11 MAIN VOLUME

Der MAIN VOLUME-Pegelregler ist der Gesamtpegelregler für beide Boxen.





# EXPEDITION EXPRESS bedienen

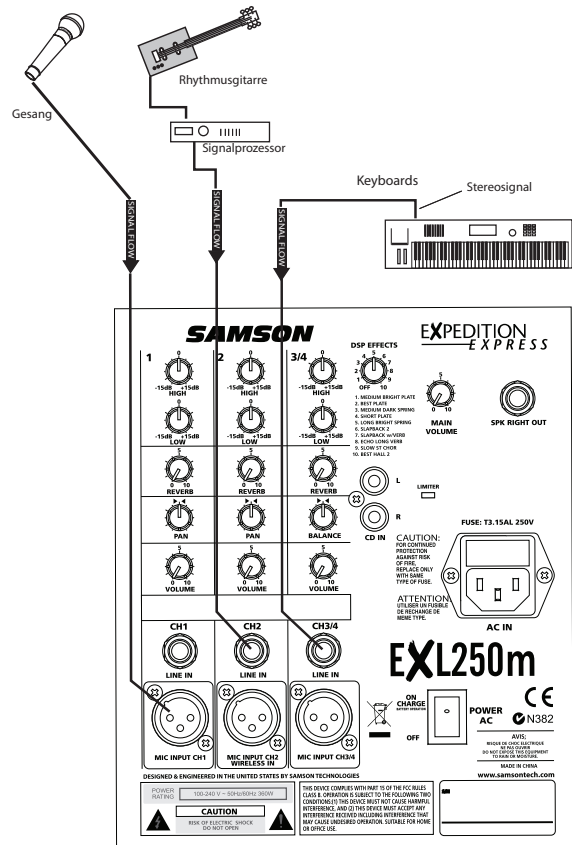
## ELEMENTARE BEDIENUNG

Der folgende Abschnitt beschreibt die elementare Bedienung des EXPEDITION EXPRESS.

### MIKROFONE UND INSTRUMENTE ANSCHLIESSEN

1. Bevor Sie Mikrofon oder Instrumente anschließen, müssen alle Systemkomponenten, inklusive dem EXPEDITION EXPRESS, ausgeschaltet sein. Achten Sie außerdem darauf, dass der MAIN VOLUME-Regler ganz zurückgedreht ist.
2. Verbinden Sie die Kabel mit Ihren Mikrofonen und Instrumenten und stecken Sie die anderen Kabelenden fest in den entsprechenden Eingang des EXPEDITION EXPRESS.
3. Schalten Sie zuerst die Peripheriegeräte und dann das EXPEDITION EXPRESS ein.

- ANMERKUNG:** Beachten Sie bitte die Goldene Audioregel "ZULETZT EIN, ZUERST AUS". Im Klartext: Beim Einschalten des Systems sollten Sie Ihre Endstufen oder Powered Monitor-Systeme ZULETZT einschalten und beim Ausschalten des Systems die Endstufen wiederum ZUERST. Dadurch vermeiden Sie laute Pop-Geräusche, die beim Einschalten von Spannungsspitzen verursacht werden und manchmal Lautsprecher beschädigen können.
4. Stellen Sie den MAIN VOLUME-Regler der EXPEDITION EXPRESS Master-Sektion auf "5" ein.
  5. Sprechen Sie ins Mikrofon (oder spielen Sie Ihr Instrument) und stellen Sie den VOLUME-Regler des Kanals auf den gewünschten Pegel ein.
  6. Sie können die Klangfarbe jedes Kanals nach Belieben mit den EQ-Reglern einstellen



### Dockingstation einsetzen

Das EXL250 verfügt über eine integrierte MP3 Dockingstation, die exakt in ein spezielles Fach über dem EXL250 Mischer passt, damit Sie einen MP3 Player installieren und Background-Musik für Versammlungen oder Darbietungen abspielen können. Die Dockingstation des EXL250 ist mit den meisten populären MP3 Playern mit unterseitigem 30-Pol Anschluss kompatibel. Gehen Sie beim Installieren des MP3 Players wie folgt vor:

- Wenn Ihr MP3 Player mit einem Dock-Adapter ausgerüstet ist, fügen Sie ihn in die EXL250 Dockingstation ein.
- Ziehen Sie die federbestückte Halteklammer nach vorne und schieben Sie Ihren MP3 Player an seinen Platz. Achten Sie auf die korrekte Verbindung des 30-Pol Anschlusses.
- Besonders flache MP3 Player sollten Sie wieder herausnehmen und zuvor den mitgelieferten dicken EVA-Schaumstoff installieren.
- Ziehen Sie dann die federbestückte Halteklammer nach vorne, um den MP3 Player wieder zu installieren.
- Senken Sie die federbestückte Halteklammer langsam ab, damit der MP3 Player fest sitzt.



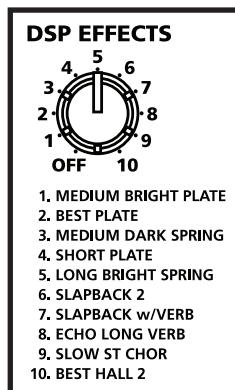
# EXPEDITION EXPRESS bedienen

## DIGITALEFFEKTE EINSETZEN

Das EXPEDITION EXPRESS zeichnet sich durch einen integrierten, hochwertigen digitalen Signalprozessor mit Effekten in Studioqualität aus. Der DSP bietet saubere Delays, satte Reverbs und Multi-Effekte wie Chorus + Delay oder Chorus + Reverb. Um die internen DSP Effekte zu bedienen, gehen Sie wie folgt vor:

1. Schließen Sie ein Mikrofon oder Instrument an den gewünschten Kanal an und stellen Sie den Pegel und EQ wunschgemäß ein.
2. Wählen Sie dann mit dem DSP-Wahlschalter das gewünschte Preset. Stellen Sie den DSP-Wahlschalter auf einen der folgenden Effekte ein:

1. MEDIUM BRIGHT PLATE
2. BEST PLATE
3. MEDIUM DARK SPRING
4. SHORT PLATE
5. LONG BRIGHT SPRING
6. SLAPBACK 2
7. SLAPBACK w/VERB
8. ECHO LONG VERB
9. SLOW ST CHOR
10. BEST HALL 2



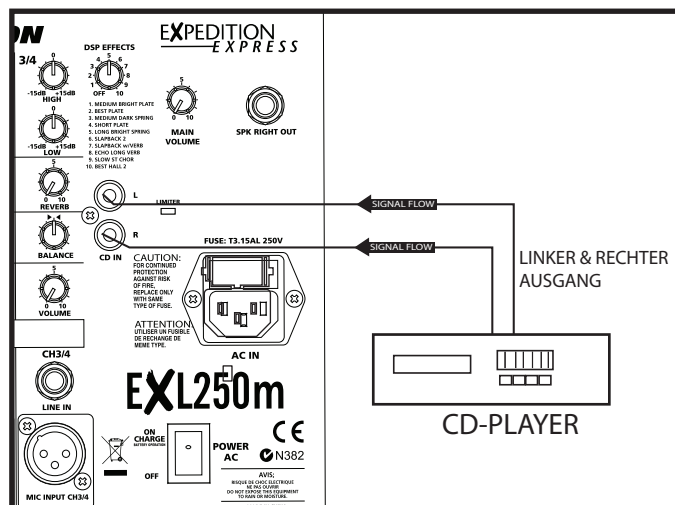
4. Nachdem Sie das gewünschte Effekt-Preset gewählt haben, drehen Sie den Reverb-Regler bei den Kanälen auf, auf die Sie den Digitaleffekt anwenden möchten.

**ANMERKUNG:** Falls beim Effektklang Verzerrungen auftreten, drehen Sie die Reverb-Regler bei allen Kanälen zurück.

## CD ÜBER DEN CD-EINGANG ABSPIELEN

Das EXPEDITION EXPRESS verfügt über einen speziellen Eingang zur Wiedergabe von Stereogeräten wie CD- oder Mini Disk-Playern und Bandgeräten. Um eine CD, ein Band oder eine MD über den CD-Eingang des EXPEDITION EXPRESS abzuspielen, gehen Sie wie folgt vor.

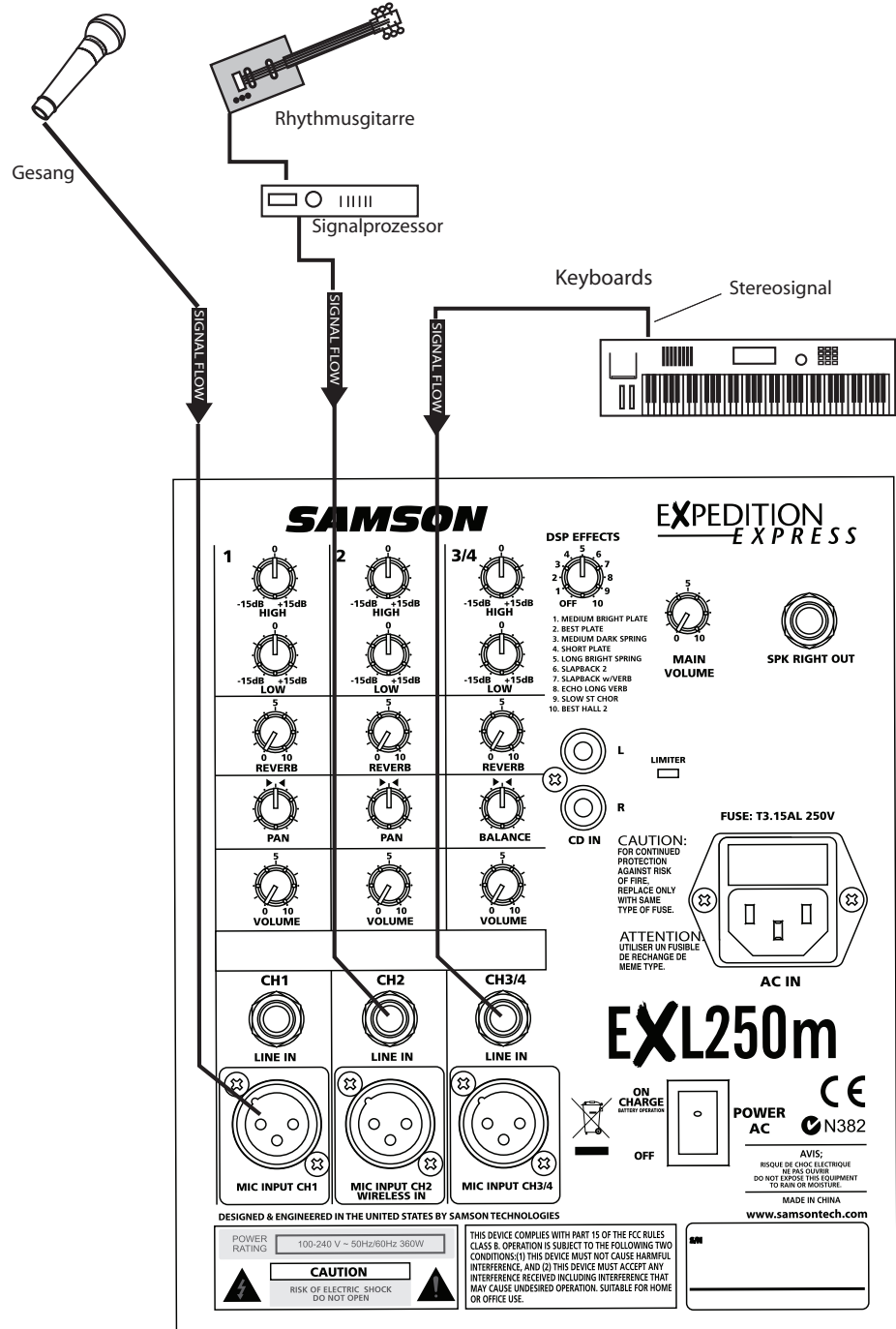
1. Drehen Sie den CHANNEL 3/4 VOLUME-Regler ganz zurück.
2. Stellen Sie den MAIN VOLUME-Regler der Master-Sektion auf "5" ein.
3. Starten Sie die Wiedergabe am CD-, MD-Player oder Bandgerät und drehen Sie den CHANNEL 3/4 VOLUME-Regler langsam auf, bis der gewünschte Pegel erreicht ist.



# EXPEDITION EXPRESS System-Einrichtung

## EXPEDITION EXPRESS PA-EINRICHTUNG

Dieses System zeigt, wie man das EXPEDITION EXPRESS als PA einrichtet. Das Mikrofon ist an den Mic-Eingang von Kanal 1 angeschlossen. Der Ausgang des Gitarren-Signalprozessors ist an den Line-Eingang von Kanal 2 angeschlossen. Das Stereo Keyboard ist an den Stereo-Eingang von Kanal 3/4 angeschlossen.



# Optionales Zubehör RB2030 AUFLADBARE BATTERIE

Der Samson RB2030 Akku ist für die Expedition EXL250, XPL200 und XPL300 Boxen konzipiert. Der RB2030 arbeitet mit vier 12V DC, 3.3A Gel-Zellen. Ein vollständig geladener RB2030 sollte die XPL250, XPL200 oder XPL300 bei relativ hohen Lautstärkepegeln für etwa 3 – 4 Stunden mit Spannung versorgen. Bei relativ niedrigen Lautstärkepegeln reicht die Batterie etwa 7 - 8 Stunden. **ANMERKUNG:** Ausschlaggebend für die Nutzungsdauer der Batterie ist die tatsächliche Lautstärke (des gehörten Audiomaterials) und nicht die Position der Lautstärkereglер.

Bei entsprechender Behandlung wird sich die RB2030 viele Jahre störungsfrei betreiben lassen. Bitte lesen Sie sorgfältig die Anleitungen und beachten Sie, dass die Batterie bei der Auslieferung nicht aufgeladen ist.

## Teile-Liste:

- 1 RB2030 Gel-Zellen Batterie
- 4 M4 x 14 Schrauben
- 4 M6 x 12 Schrauben

## Anleitungen zum Einbau der Batterie

1 Stellen Sie sich auf die Rückseite der Expedition-Box und legen Sie diese mit der Vorderseite auf einen weichen Untergrund, um die Frontbespannung nicht zu zerkratzen (Abb. 1).

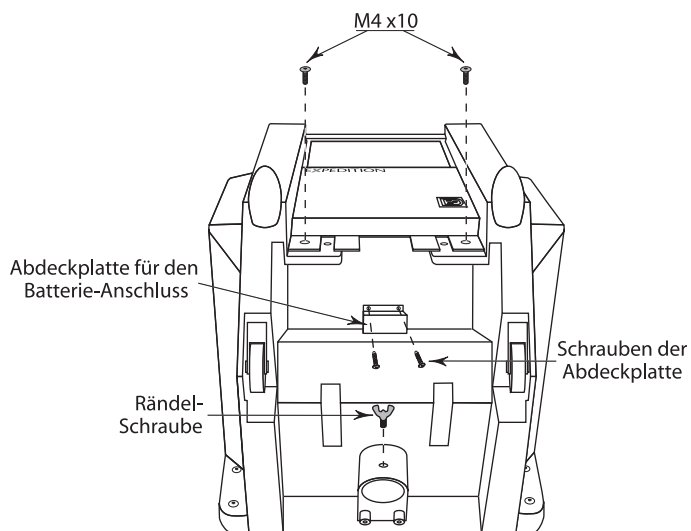


Abb. 1

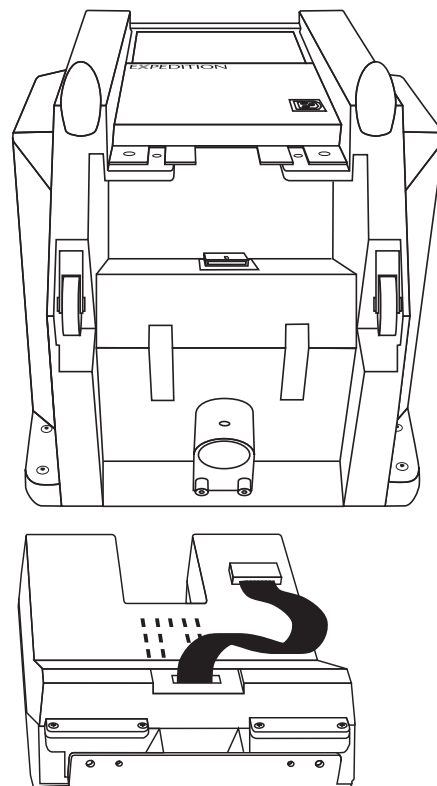


Abb. 2

# Optionales Zubehör RB2030 AUFLADBARE BATTERIE

2 Entfernen Sie mit einem Kreuzschraubendreher die beiden Schrauben und den Deckel des Batterie-Anschlusses.

**Anmerkung:** Heben Sie den Deckel und die Schrauben für eine weitere Verwendung auf. Entfernen Sie die beiden M4 x 10 Schrauben der unteren Rückwand (sie werden in Schritt 6 wieder verwendet) und die erhöht angebrachte Rändelschraube (Abb. 1).

3 Richten Sie die Batterie wie in Abb. 2 aus und setzen Sie ihre "Beine" wie in Abb. 3 in die Unterseite des XPL200 oder XPL300.

4 Schließen Sie das Batterie-Versorgungskabel wie in Abb. 3 an. **WICHTIG! Sowohl die Anschlüsse am Versorgungskabel (der Batterie) als auch die des Anschluss-Steckers (an der Box) sind eindeutig gekennzeichnet. Achten Sie darauf, dass Sie das Kabel richtig anschließen, da andernfalls in der Batterie ein Kurzschluss erzeugt wird, der zu einem Brand und/oder Ausfall des internen Verstärkers führen kann.**

5 Heben Sie die Batterie an ihren Platz und drehen Sie die beiden M4 x 14 Schrauben in die beiden äußeren Löcher und die beiden M6 x 12 Schrauben in die inneren Löcher des Batterierands. Sichern Sie mit den beiden M4 x 10 Schrauben (aus Schritt 2) die Unterseite der Batterie an der Box.

## Batterie laden

Bevor Sie die RB2030 verwenden, muss die Batterie vollständig aufgeladen sein. Nachdem Sie die Installationsanleitungen befolgt haben, verbinden Sie den XPL200 oder XPL300 mit einer Steckdose und schalten Sie das Gerät ein. Die Batterie benötigt beim ersten Mal 8 Stunden, um sich vollständig aufzuladen. Danach kann sie in 4 Stunden vollständig geladen werden. Die Batteriepegel-Anzeige auf der Rückseite des XPL200 oder XPL300 zeigt nur dann einen Pegel an, wenn das Netzkabel nicht angeschlossen ist.

**WICHTIG:** Die RB2030 Batterie muss nach jedem Einsatz vollständig aufgeladen werden.

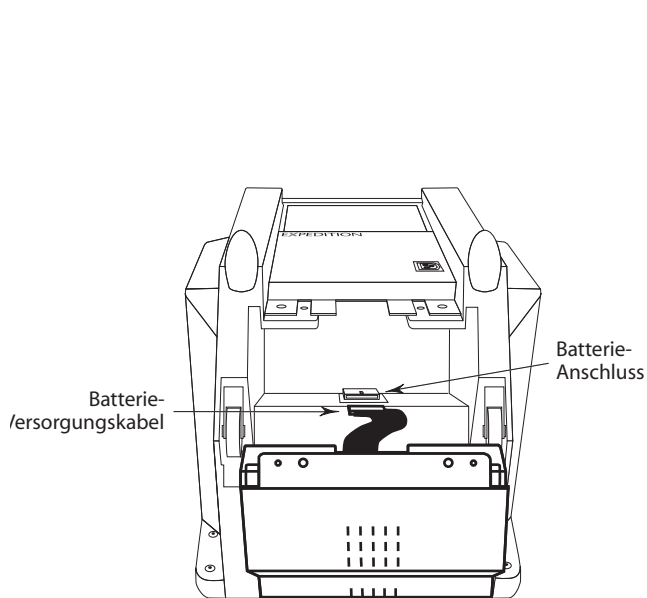


Abb. 3

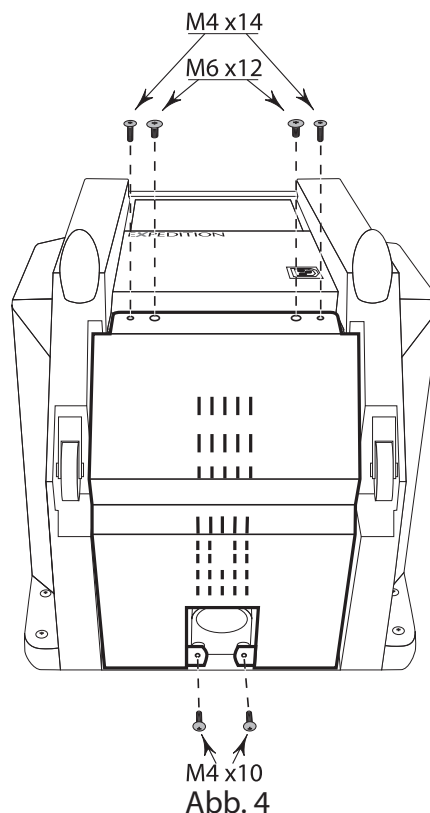


Abb. 4

# Optionales Zubehör DRAHTLOS / STÄNDERMONTAGE

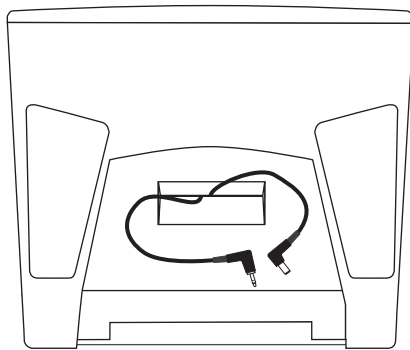


Abb. 1

In Abbildung 1 können Sie links erkennen, dass sich auf der Oberseite der Expedition EXL250, XPL200 und XPL300 ein vorverdrahtetes Fach befindet, das einen der drei unterschiedlichen Samson-Drahtlosempfänger aufnehmen kann: die Modelle UM1 oder AM1 UHF. Das Ausgangssignal des in die EXL250 installierten Drahtlosempfängers kommt auf Kanal 2 des integrierten Mixers an.

## Mikro-Empfänger ans Expedition anschließen

- 1 Entfernen Sie die Abdeckung des Drahtlosempfänger-Fachs, indem Sie sie vom Fach abheben, das sich auf der Oberseite des Expedition befindet (siehe Abb. 1).
- 2 Nehmen Sie die Strom- und Audiokabel vorsichtig aus dem Fach heraus.
- 3 Verbinden Sie das Netzkabel mit der DC Input-Buchse Ihres Samson VM1, UM1 oder M32 Empfängers.
- 4 Verbinden Sie das Audiokabel mit der Audio Out-Buchse Ihres Samson VM1, UM1 oder M32 Empfängers.
- 5 Das Audiosignal des Empfängers wird zu Kanal 2 des XPL300 Mixers geleitet.

## Ständermontage - Verfahren und Vorsichtsmaßnahmen

Auf der Unterseite des Expedition befindet sich eine 1-3/8" Ständerhalterung, mit der das Gehäuse auf einem standard Boxenständer (z. B. die Boxenständer TA50 oder TA100 von Samson) befestigt werden kann. Eine Ständermontage empfiehlt sich immer dann, wenn Sie die vom Expedition abgedeckte Entfernung maximieren möchten (manchmal auch Lautsprecherprojektion genannt).

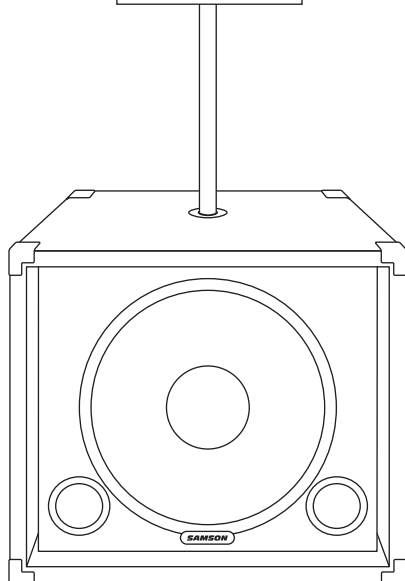
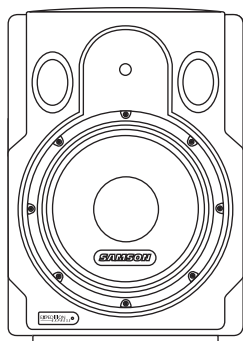
Beim Einsatz eines dB1500a Subwoofers können Sie in dessen integrierte Ständerhalterung einen Samson TS20 Boxenständer installieren und eine EXL250m oder EXL250e direkt über dem Subwoofer platzieren, um eine komplette Klangsäule aufzubauen.

Gehen Sie beim Aufbau der Lautsprecherständer mit Sachverstand vor. Stellen Sie bei der Ständermontage von Boxen sicher, dass alle Befestigungen angezogen sind (oder den Spezifikationen des Herstellers entsprechen) und der Ständer das Gewicht der Box tragen kann.

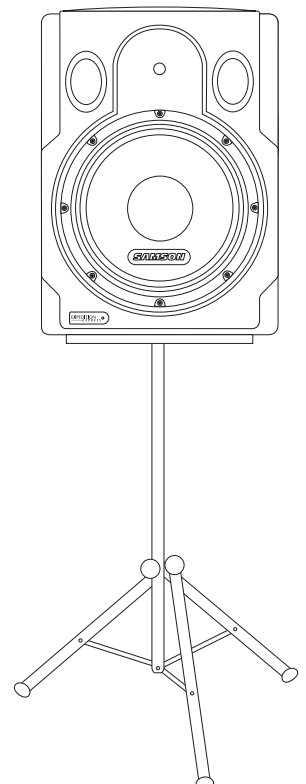
Stellen Sie Lautsprecher und Ständer in einiger Entfernung von den Bereichen auf, in denen sich Leute aufhalten, damit die Ständer nicht umgestoßen werden und durch Kippen oder Verkanten Verletzungen verursachen.

**ACHTUNG!** Die Ständermontage von Boxen sollte von qualifiziertem Fachpersonal durchgeführt werden.

Samson übernimmt keine Verantwortung, persönliche Haftung oder Haftung für Expedition-Boxen.



XPL300 – Ständermontage auf einem dB1500a



XPL300 – Montage auf einem Lautsprecherständer



# Introducción

Felicidades y gracias por su compra del Samson Expedition Express! Ahora ya tiene todo lo necesario para disponer del sonido de un gran concierto en cualquier sitio, todo en un único pack portátil. El Expedition Express es un ligero y completo sistema PA formado por el recinto acústico autoamplificado EXL250m con mesa de mezclas de 4 entradas interno, el recinto acústico secundario EXL250e, un micrófono dinámico Samson R21, todos los cables necesarios y útiles compartimentos para guardar distintos accesorios. Con esta unidad tendrá un sonido limpio y potente, gracias a los 250 vatios de potencia disponibles, que dan señal al doble recinto acústico de 2 vías con cabezal de 12 pulgadas. El recinto acústico EXL250m dispone de una etapa de potencia interna que ofrece 2 x 125 vatios de una limpia señal stereo con un mínimo peso, gracias a su diseño de clase D. Cada uno de los recintos acústicos de 2 vías incluidos en este Expedition Express disponen de un cabezal de bajas frecuencias de alto rendimiento y diseño exclusivo capaces de ofrecer una profunda respuesta en graves, junto con un cabezal de compresión de 1 pulgada fabricado en titanio para una respuesta de altas frecuencias limpia y articulada. La potente mesa de mezclas del Expedition Express le ofrece tres entradas de micrófono a las que además les puede añadir una brillante reverb de sus efectos DSP internos. Aparte de lo anterior, incluso dispone de un puerto interno de 30 puntas al que puede conectar un reproductor de MP3, compatible con la mayoría de los reproductores más famosos. Para un transporte aun más fácil, el recinto acústico secundario EX250e puede ser fijado encima del EX250m por medio de la lámina de fijación incluida, y si a todo ello unimos su tapa de protección, toda la torre PA estará lista para ser trasladada a cualquier lugar gracias a las ruedas incluidas con el EX250m. Para una flexibilidad aun mayor, esta unidad le permite añadir otras opciones de Samson, tales como los soportes de altavoz TS50 y TS100, la abrazadera de montaje en pared MP1020, el sistema de micrófono inalámbrico UM1 y para que realmente pueda usar esta unidad como un versátil sistema PA todo-en-uno en cualquier lugar, la batería recargable RB2030. Si está buscando un sistema de sonido portátil para un colegio, centro de trabajo, un pequeño grupo, sala de fiestas, o para la mayoría de pequeñas aplicaciones de PA, el Expedition Express será la solución perfecta.

En estas páginas, encontrará una descripción detallada de todas las características del sistema PA Expedition Express, junto con detalles de su panel frontal y trasero, instrucciones paso-a-paso para su configuración y uso, y una completa tabla con sus especificaciones técnicas. También encontrará una tarjeta de garantía junto con la unidad—no se olvide de rellenarla y enviárnosla por correo para que de esa forma pueda recibir soporte técnico online y para que podamos enviarle información actualizada sobre este y otros productos Samson en el futuro. Igualmente, no deje de acceder a nuestra página web ([www.samsontech.com](http://www.samsontech.com)) para acceder a la última información disponible sobre nuestra completa línea de productos.

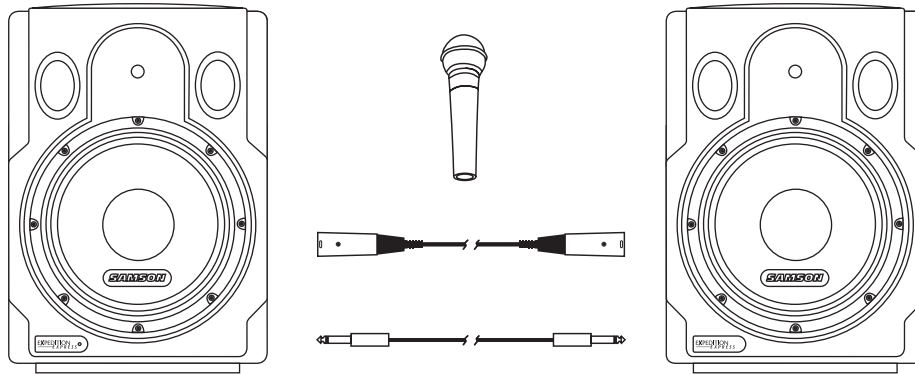
Con unos mínimos cuidados y una circulación de aire adecuada, su EXPEDITION EXPRESS le dará muchos años de funcionamiento sin problemas. Le recomendamos que apunte aquí abajo el número de serie de su aparato para cualquier referencia en el futuro.

Número de serie: \_\_\_\_\_

Fecha de compra: \_\_\_\_\_

En el improbable caso de que esta unidad tenga que ser reparada en algún momento, deberá solicitarnos un número de autorización de devolución (RA) antes de devolvérsenos la unidad. Sin este número de autorización, ningún aparato es aceptado en fábrica. Le rogamos que se ponga en contacto con Samson en el 1-800-3SAMSON (1-800-372-6766) para solicitar este número de autorización de devolución antes de remitirnos la unidad. Conserve el embalaje y el resto de protecciones originales y, si es posible, devuélvanos la unidad dentro de ellas. Si adquirió este producto Samson en otro país distinto a los Estados Unidos de América, póngase en contacto con su distribuidor local para que le indique los detalles relativos a la garantía y posibles reparaciones.

# Características del Expedition Express



El ligero y portátil sistema PA con efectos DSP internos Samson Expedition Express es una solución útil, sencilla y de tipo todo-en-uno para el sonido en directo. Estas son algunas de sus características principales:

- Sistema de amplificación de potencia portátil independiente.
- Incluye todo lo necesario para un gran sonido de concierto.
- 250 vatios, Etapa de potencia stereo de clase D interna de 2 x 125 vatios.
- Efectos DSP integrados que incluyen exuberantes reverberaciones.
- Dos altavoces de 2 vías con un transductor de 12" de baja frecuencia reforzado y un excitador de compresión de titanio de 1".
- Mezclador de cuatro entradas / tres micrófonos con ecualizador de 2 bandas en cada canal.
- Puerto de conexión de 30 puntas interno para reproductores MP3.
- Micrófonos dinámicos R21 con cable y pinza.
- Cable para altavoz de 30 pies (9 metros).
- Bolsas para guardar los micrófonos y los cables.
- Cubiertas deslizantes incluidas.
- Funcionamiento con pilas opcional
- Preparado para la operación inalámbrica.
- Puede instalarse en una unidad desplazable.
- Una construcción de calidad y resistente garantiza unas prestaciones fiables en todo momento.
- Garantía ampliada a tres años.

# Componentes del sistema Expedition Express

## Componentes del sistema

El sistema Expedition Express incluye los siguientes componentes:

La caja del altavoz autoamplificado EXL250m con mezclador integrado.

La caja del altavoz supletorio EXL250e.

Un micrófono dinámico R21.

Un cable de micrófono de 18 pies (5,5 metros).

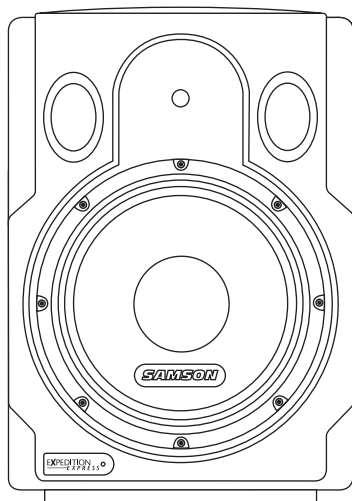
Una pinza para micrófono.

Un cable de altavoz de 30 pies.

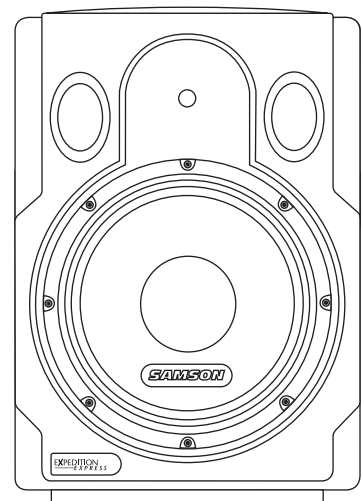
Dos bolsas de almacenamiento

Dos cubiertas deslizantes.

Altavoz autoamplificado EX250m



Altavoz supletorio EX250e



Micrófono R21

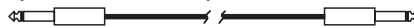


Pinza para micrófono

Cable para micrófono de 18 pies (5,5 metros)



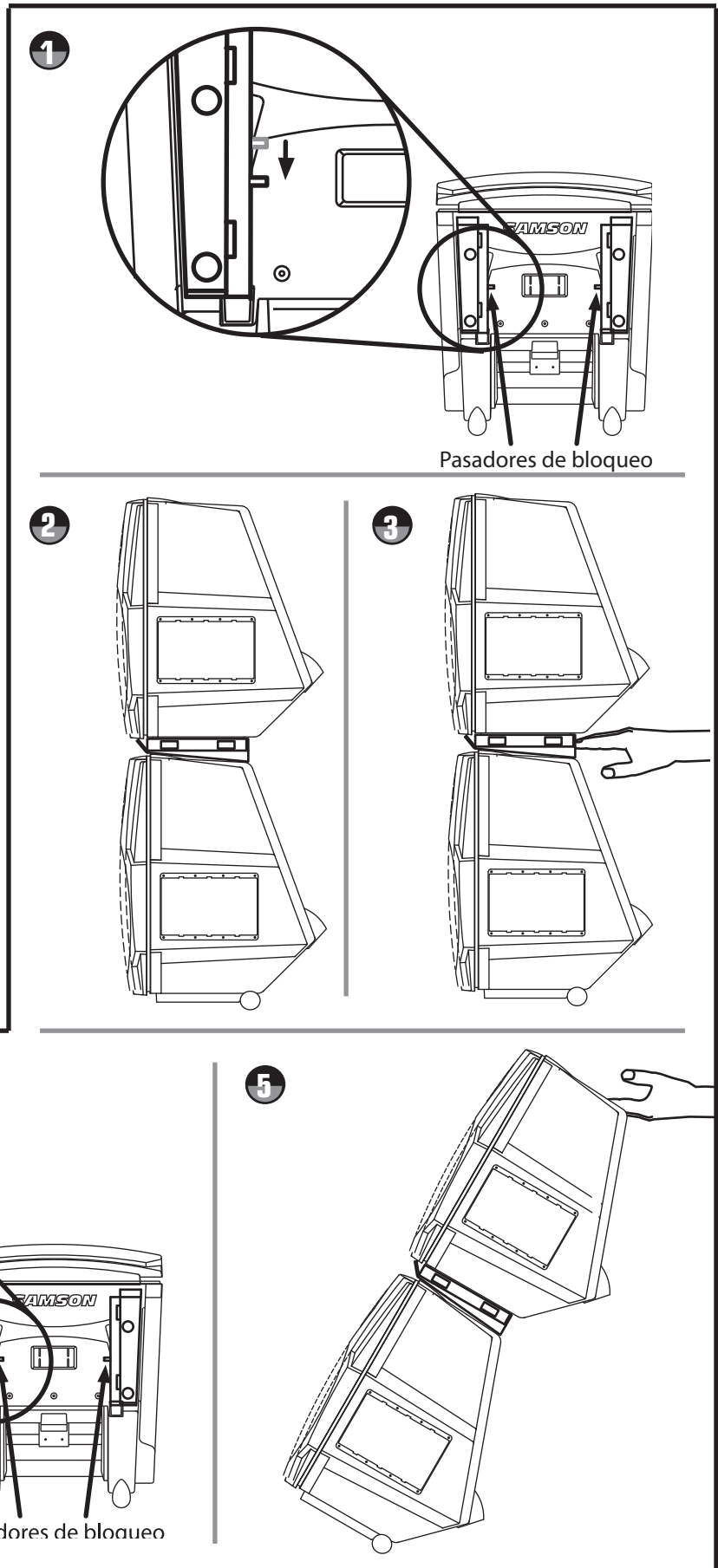
Cable para altavoz de 30 pies (9 metros)



# Transportar el Expedition Express

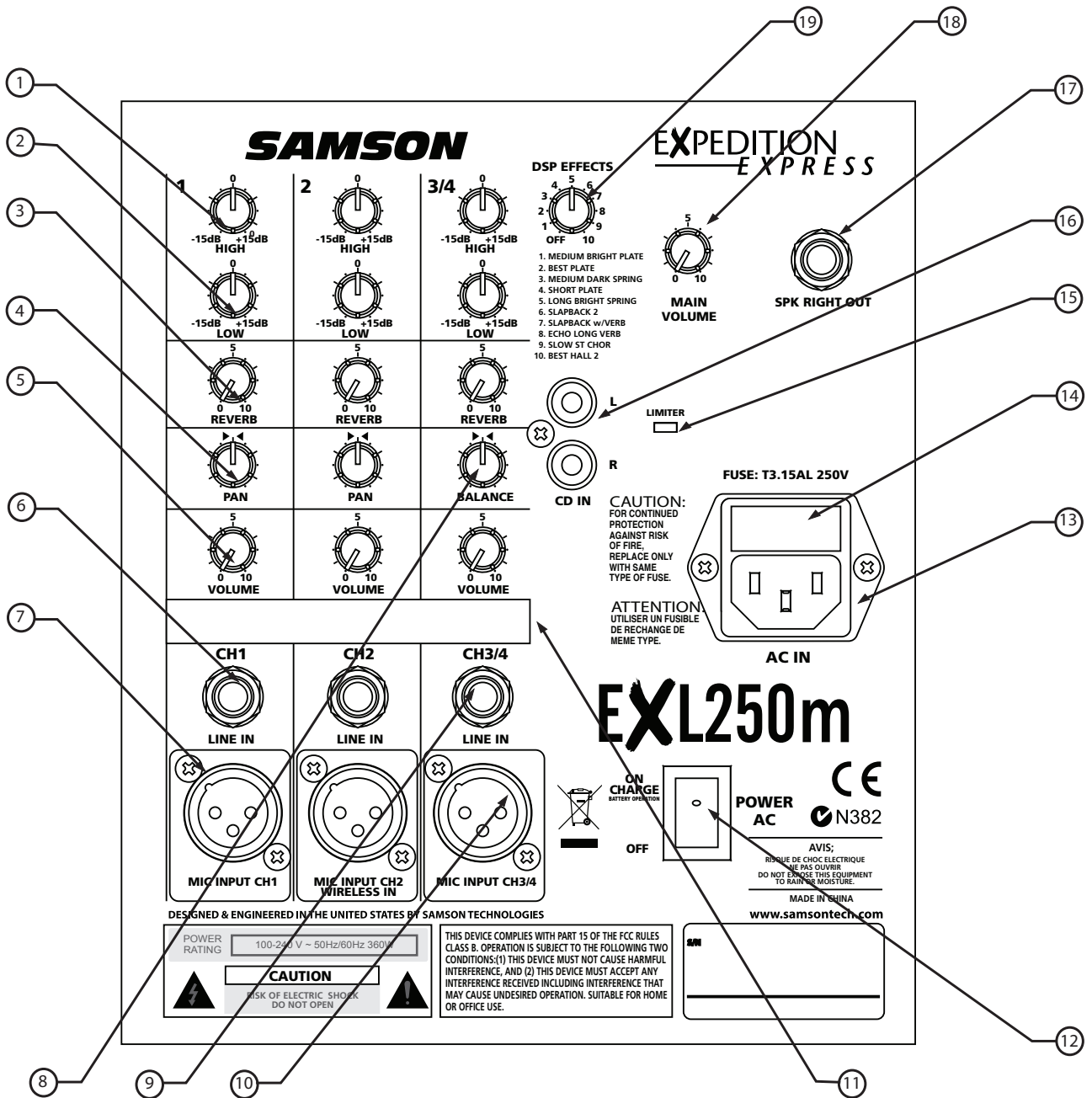
El Expedition Express puede adaptarse muy fácilmente para transportarlo sobre ruedas. Siga estos simples pasos para apilar y desplazar el Expedition Express.

- 1** Para desbloquearlo, localice la abrazadera de acoplamiento en la parte superior de la caja del EXL250m y tire de los dos pasadores de bloqueo hacia la parte posterior de la caja.
- 2** Apile el EXL250e sobre el EXL250m y haga que la abrazadera de acoplamiento quede alineada girando el EXL250e hasta que quede correctamente colocada.
- 3** Haga pasar la mano entre las dos cajas de los altavoces y pulse los dos pasadores de bloqueo (en la abrazadera de acoplamiento) hacia la parte frontal de la caja.
- 4** Coja el asa sobre la caja del EXL250e y desplácelo.

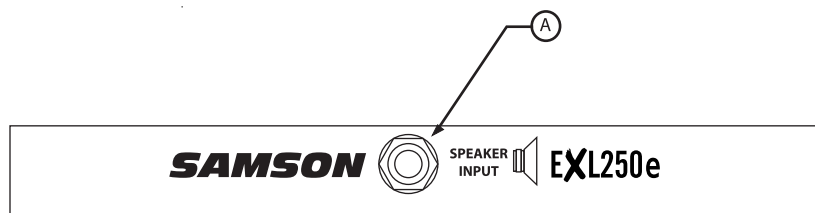


# Distribución del panel posterior del Expedition Express

## PANEL POSTERIOR DEL EXL250m



## PANEL POSTERIOR DEL EXL250e



# Distribución del panel posterior del Expedition Express

## PANEL POSTERIOR DEL EXL250m

- 1 **FRECUENCIA ALTA** - Controla la banda alta del ecualizador del canal, +/- 15 dB a 12KHz.
- 2 **FRECUENCIA BAJA** - Controla la banda baja del ecualizador del canal, +/- 15 dB a 80Hz.
- 3 **REVERB** – Envío de efecto conectado al procesador de efectos interno.
- 4 **PAN** – Controla la posición del canal entre la izquierda y la derecha en el bus estéreo.
- 5 **CONTROL VOLUME** – Permite un control suave sobre los cambios de nivel.
- 6 **LINE** – Conector de entrada de línea en los canales mono.
- 7 **MIC**- Conector XLR para una entrada de micrófono de baja impedancia.
- 8 **BALANCE**- Controla la ubicación izquierda y derecha de la señal estéreo en la salida de mezcla principal.
- 9 **CH 3/4 LINE IN** – Conexión TRS de entrada de línea estéreo - Punta=Izquierda, Anillo=Derecha, Funda=Masa.
- 10 **CH 3/4 MIC IN** - Conector XLR para entrada de micrófono de baja impedancia.
- 11 **BANDA PARA ESCRIBIR** - Utilice un lápiz grasoso o coloque aquí una cinta para etiquetar los canales.
- 12 **POWER** – Pone en marcha el EXPEDITION EXPRESS.
- 13 **CONMUTADOR AC VOLTAGE IN** – Selecciona el voltaje operativo. Compruebe que este conmutador esté en la posición correcta según el país en que se encuentre antes de poner en marcha el EXL250m.
- 14 **ENTRADA DE CA** – Conecte aquí una fuente de alimentación de CA externa.
- 15 **LEDLIMITER** - Se ilumina siempre que el Limitador integrado está activo. Si ve que se ilumina con frecuencia, significa que está sobrecargando el EXL250m. Baje el volumen de uno o más canales, o baje el control de volumen general.
- 16 **ENTRADAS CD** – Conecte aquí un CD, DAT, Cassette o Mini Disk.
- 17 **SPEAKER OUT** – Conecte aquí un altavoz externo EXL250e.
- 18 **MAIN VOLUME**- Se utiliza para controlar el volumen general de las salidas de mezcla principal izquierda y derecha.
- 19 **DSP EFFECTS** - Se utilizan para cambiar entre los 6 efectos predefinidos del procesador de efectos DSP interno.

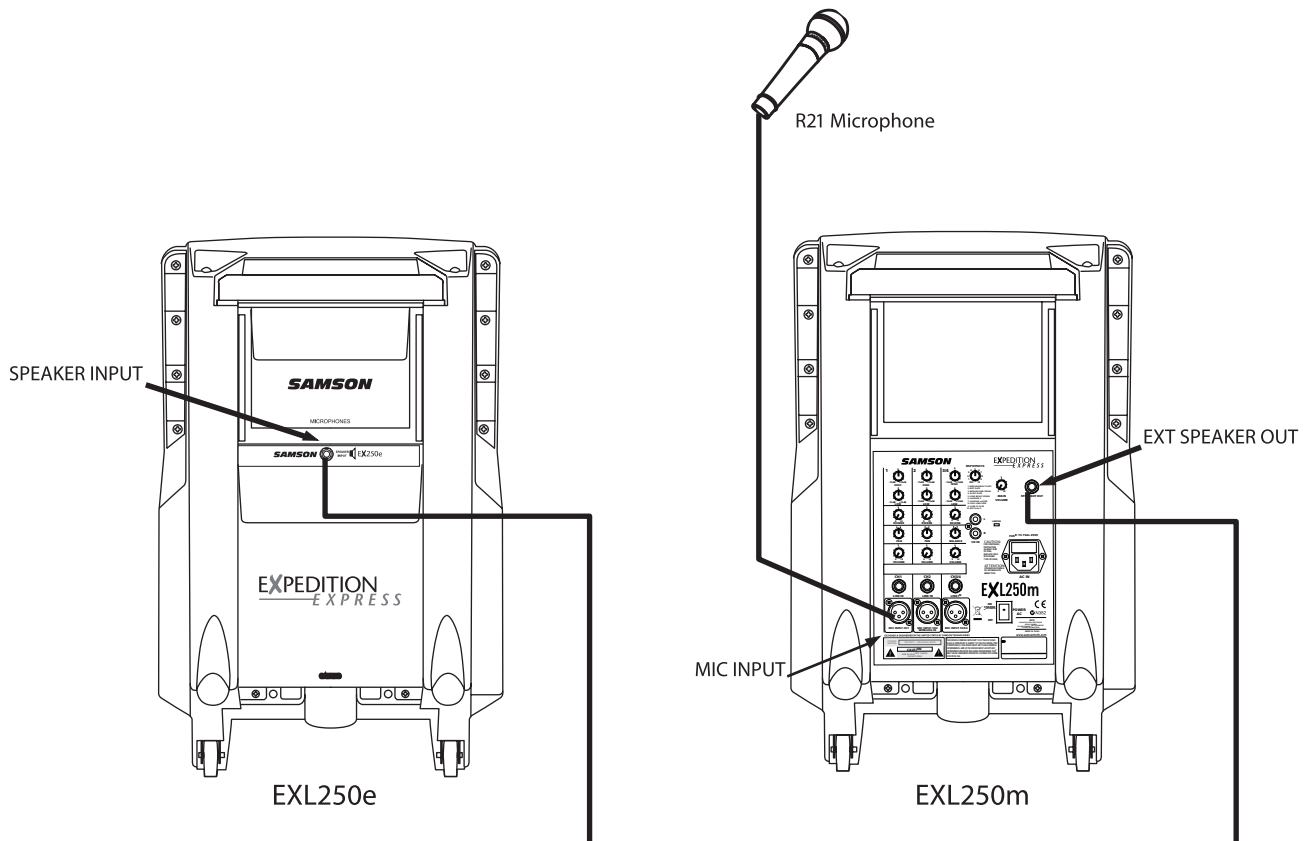
## PANEL POSTERIOR DEL EXL250e

- A **SPEAKER INPUT** – Conecte aquí el cable procedente de SPEAKER OUT del EXL250m.

# Instalación rápida

## Instalación rápida

En las páginas de este manual encontrará una explicación detallada de todas las funciones y controles del Expedition Express, pero si sólo desea empezar en seguida, siga los pasos que se detallan a continuación.



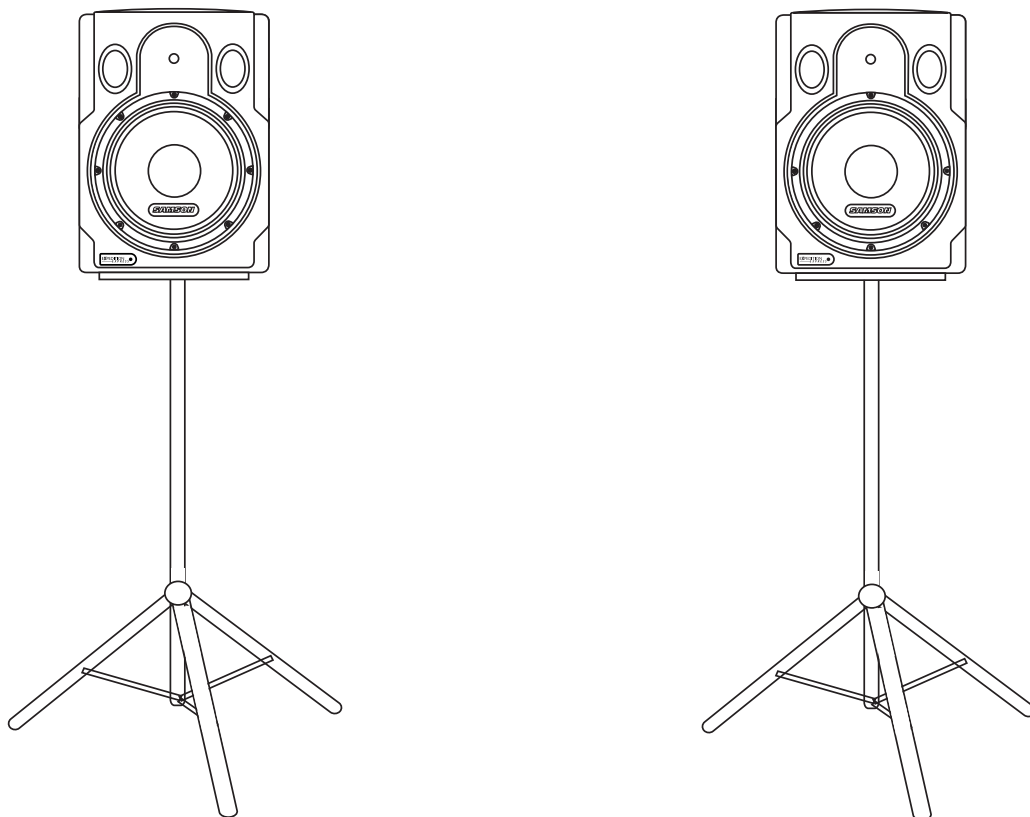
- Compruebe que el conmutador POWER del EXL250m no esté pulsado.
- Gire los controles MAIN VOLUME y CHANNEL VOLUME totalmente en sentido antihorario para bajar los volúmenes al mínimo.
- Conecte el cable de altavoz que se entrega desde SPEAKER RIGHT OUT del EXL250m hasta SPEAKER INPUT del EXL250e.
- Conecte el cable de alimentación a una toma de CA. Pulse el conmutador POWER.
- Conecte un extremo del cable de micrófono que se entrega al micrófono R21, y el otro extremo a MIC INPUT del canal 1 del EXL250m.
- Coloque el control MAIN VOLUME en la posición de las "12:00".
- Hable al micrófono y suba lentamente el ajuste del control VOLUME del canal 1 hasta llegar al nivel deseado.

---

# Colocación del EXL250

## Colocación del Expedition Express

Para obtener los mejores resultados del sistema de amplificación de potencia, es importante tener muy en cuenta la colocación de los altavoces y la posición de los micrófonos que se utilicen. La correcta ubicación de los altavoces y micrófonos maximizará la cantidad de nivel que se conseguirá antes de que aparezca la realimentación.



## Posicionamiento de los micrófonos - Cómo reducir la realimentación

La realimentación es el molesto zumbido y ruido agudos que se oyen cuando el micrófono está demasiado cerca de un altavoz y el volumen es alto. La realimentación se produce cuando el micrófono recoge la señal amplificada del altavoz y vuelve a amplificarla a través del altavoz, y vuelve a recogerla, y así sucesivamente. En general, se recomienda siempre que cualquier micrófono VIVO (que esté activado) esté situado detrás de las cajas de los altavoces. Con ello conseguirá el mejor nivel del sistema antes de que aparezca la realimentación. Una posible excepción es cuando se ajustan los sonidos de los micrófonos, ya que deberá escucharlos delante de los altavoces para oírlos adecuadamente. Para ello, baje el control MAIN VOLUME y ajuste el ecualizador y el efecto desde delante de los altavoces. Una vez tenga el sonido deseado, desplace los micrófonos detrás de los altavoces y suba el volumen general.

## Ubicación de los altavoces

Siempre que sea posible, es aconsejable colocar los altavoces por encima de las cabezas de la audiencia. Los recintos acústicos del Expedition Express disponen de casquillos de montaje en barra standard de 1 3/8", compatibles con la inmensa mayoría de soportes de altavoces, incluyendo los modelos TS50 y TS100 de Samson. En una instalación pequeña, como una cafetería de escuela, biblioteca o pequeño quiosco, también puede utilizarse el Expedition Express en la posición inclinada hacia atrás, que mejorará la proyección de los altavoces y eliminará la necesidad de soportes para los altavoces.



# Controles y funciones

## SECCIÓN DE CANALES DE ENTRADA

La siguiente sección detalla cada parte de los CANALES DE ENTRADA DEL EXPEDITION EXPRESS, incluyendo el ecualizador de 2 bandas, el envío REVERB y los controles PAN y VOLUME. Los canales de entrada del 1 al 3 del EXPEDITION EXPRESS disponen de preamplificadores de transistores discretos de alta calidad que ofrecen transparencia y una gama dinámica más amplia.

### ECUALIZADOR DE CANAL

Los canales de entrada del EXPEDITION EXPRESS disponen de un ecualizador de 2 bandas que permite ajustar las frecuencias altas y bajas de manera independiente en cada canal. La respuesta de frecuencia del canal es plana si los mandos se encuentran en la posición de las "12:00".

1

#### HIGH

Si gira el mando HIGH hacia la derecha se realzarán las frecuencias altas (12KHz) en 15dB, y si lo gira hacia la izquierda se cortarán las frecuencias altas en 15dB.

2

#### LOW

Si gira el mando LOW hacia la derecha se realzarán las frecuencias bajas (80Hz) en 15dB, y si lo gira hacia la izquierda se cortarán las frecuencias bajas en 15dB.

3

#### REVERB

El EXPEDITION EXPRESS ofrece efectos digitales de alta calidad, y el nivel de estos efectos puede ajustarse independientemente en cada canal. El mando REVERB del canal controla la cantidad de señal que se envía al bus REVERB. La señal del bus REVERB se direcciona a la sección de efectos DSP interna para el procesamiento integrado de la señal.

4

#### PAN (Sólo entradas mono 1 y 2)

El control PAN del EXPEDITION EXPRESS se utiliza para situar la señal mono en el bus izquierdo y derecho principal estéreo. Es posible crear una imagen estéreo panoramizando algunas señales de entrada a la izquierda y otras a la derecha.

5

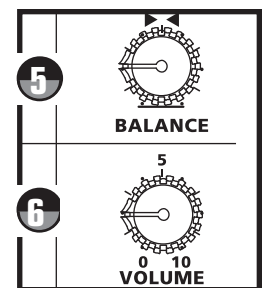
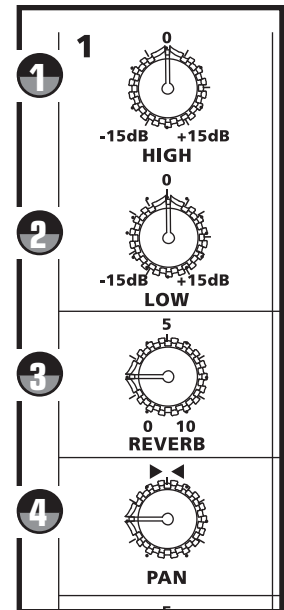
#### BALANCE (Sólo entrada estéreo 3/4)

El control BALANCE del EXPEDITION EXPRESS se utiliza para corregir cualquier diferencia en el nivel entre el bus de mezcla principal izquierdo y derecho.

6

#### VOLUME

El mando VOLUME del EXPEDITION EXPRESS controla el nivel general del canal. El mando VOLUME dispone de un control de audio sin posiciones predefinidas para unos fundidos suaves.



# Controles y funciones

## SECCIÓN MAESTRA

### SECCIÓN DE EFECTOS DIGITALES

El EXPEDITION EXPRESS dispone de un procesador de efectos digitales integrado con efectos de estudio de alta calidad, como unas exuberantes reverberaciones. La siguiente sección describe las características del potente procesamiento de la señal digital integrado.

**7 Conmutador de selección (EFECTOS DIGITALES)**  
El conmutador de selección permite seleccionar uno de los seis efectos digitales integrados. Sólo debe girar el mando de selección para seleccionar los diversos efectos predefinidos.

**8 Lista de efectos predefinidos**  
Esta sección identifica los seis efectos DSP predefinidos integrados. Los efectos de la lista de predefinidos son los siguientes:

- 1 - Plate
- 2 - Stadium
- 3 - Church
- 4 - Large Hall
- 5 - Medium Hall
- 6 - Small Hall

**9 Entradas CD IN**  
Las entradas CD IN del EXPEDITION EXPRESS ofrecen las conexiones para reproducir un equipo externo, como un reproductor de CD, una grabadora de cassettes o un Mini Disk. La flexibilidad de mezcla adicional del EXPEDITION EXPRESS permite ajustar el nivel de la señal e integrarla en las señales del canal. La señal conectada a CD IN se dirige a las entradas del canal estéreo, y el nivel y el sonido se controlan con VOLUME, HIGH y LOW del canal 3/4.

**NOTA:** Compruebe que el control REVERB esté al mínimo en el canal 3/4 cuando reproduzca un CD.

### LIMITER

Para maximizar la protección de los altavoces, el limitador interno siempre está activado.

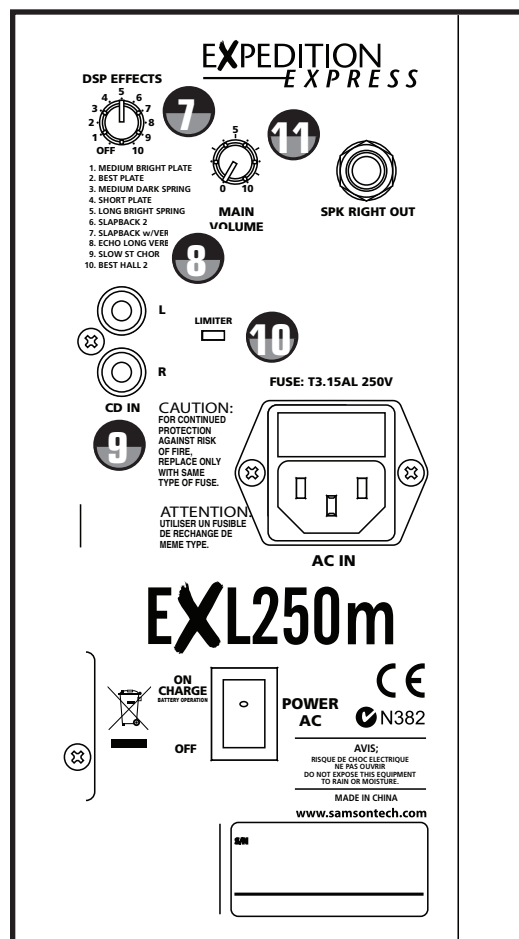
**10 LED LIMITER**

El piloto se ilumina para indicar que el circuito del limitador ha detectado un pico y que se ha activado el sistema de reducción de ganancia automático.

**NOTA:** Para evitar distorsiones, ajuste el control MAIN LEVEL para que el LED LIMITER se ilumine ocasionalmente.

**11 MAIN VOLUME**

El control de nivel MAIN VOLUME es el control de nivel general para ambos altavoces.





# Utilizar el EXPEDITION EXPRESS

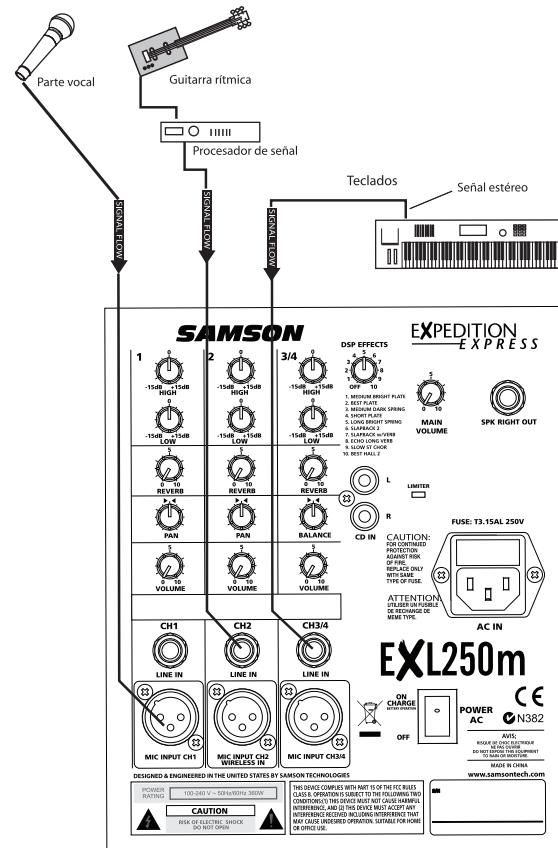
## FUNCIONAMIENTO BÁSICO

La siguiente sección explica el funcionamiento básico del EXPEDITION EXPRESS.

### CONECTAR MICRÓFONOS E INSTRUMENTOS

1. Antes de conectar micrófonos o instrumentos, compruebe que todos los componentes del sistema estén apagados, incluyendo el EXPEDITION EXPRESS. Compruebe también que el control MAIN VOLUME esté al mínimo.
2. Conecte los cables a los micrófonos e instrumentos, e inserte el otro extremo del cable a la entrada apropiada del EXPEDITION EXPRESS.
3. Ponga en marcha todos los equipos periféricos, y a continuación el EXPEDITION EXPRESS.

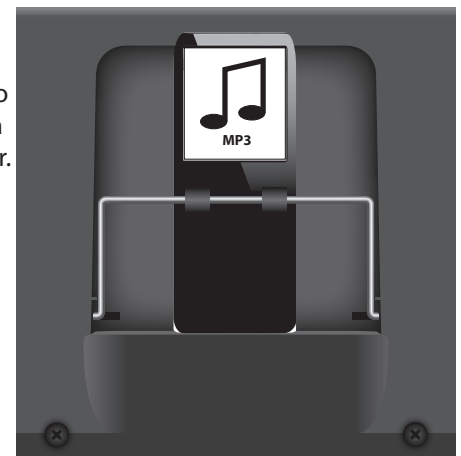
- NOTA:** Es importante recordar la norma de oro del audio ... " **ÚLTIMO ACTIVADO, PRIMERO DESACTIVADO**". Traducido, esto significa que al poner en marcha el sistema siempre debe activar los amplificadores de potencia o monitores autoamplificados EN ÚLTIMO LUGAR, y al apagar el sistema debe desactivar los amplificadores EN PRIMER LUGAR. Esto ayuda a evitar los ruidos provocados por los picos de corriente durante la activación, que podrían llegar a dañar los altavoces.
4. Ajuste el mando MAIN VOLUME de la sección maestra del EXPEDITION EXPRESS a la posición "5".
  5. Hable al micrófono (o toque el instrumento) y ajuste el control VOLUME del canal para definir el nivel deseado.
  6. Es posible dar forma al sonido de cada canal ajustando los controles del ecualizador según se desee.



### Uso del panel de conexión

El EXL250 dispone de un panel de conexión MP3, que se adapta perfectamente en un compartimento especial que hay encima del mezclador del EXL250 y que le permite instalar un reproductor de MP3 para disponer de música de fondo o acompañamiento para todo tipo de usos. El panel de conexión del EXL250 es compatible con la mayoría de los reproductores de MP3 que tengan un conector de 30 puntas en la parte inferior. Siga estos pasos para instalar su reproductor.

- Si su reproductor de MP3 viene con un adaptador de puerto, colóquelo en el panel de conexión del EXL250.
- Empuje la abrazadera de sujeción hacia arriba y deslice su reproductor MP3 en el hueco para que quede firmemente sujeto, asegurándose también de que se encaje correctamente con el conector de 30 puntas.
- Si tiene un reproductor MP3 muy fino, extraiga el reproductor e instale la placa EVA de relleno que se incluye con su Expedition.
- Después, vuelva a usar la abrazadera de sujeción para reinstalar el reproductor de MP3.
- Baje suavemente la abrazadera hasta que el reproductor quede firme en su sitio.



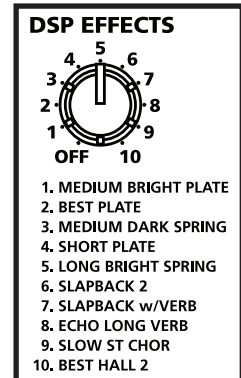
# Utilizar el EXPEDITION EXPRESS

## UTILIZAR LOS EFECTOS DIGITALES

El EXPEDITION EXPRESS dispone de un procesador digital de señal interno y de alta calidad que le ofrece efectos de reverb y retardo con calidad de estudio. Puede añadir estos efectos digitales a cualquiera de las entradas usando el control REVERB del canal. A continuación le detallamos el funcionamiento de los efectos DSP internos:

1. Conecte un micrófono o instrumento al canal deseado, y ajuste el volumen y el ecualizador según desee.
2. Ahora seleccione el efecto predefinido deseado con el conmutador de selección del DSP. Coloque el conmutador de selección del DSP en uno de los siguientes efectos:

1. MEDIUM BRIGHT PLATE
2. BEST PLATE
3. MEDIUM DARK SPRING
4. SHORT PLATE
5. LONG BRIGHT SPRING
6. SLAPBACK 2
7. SLAPBACK w/VERB
8. ECHO LONG VERB
9. SLOW ST CHOR
10. BEST HALL 2



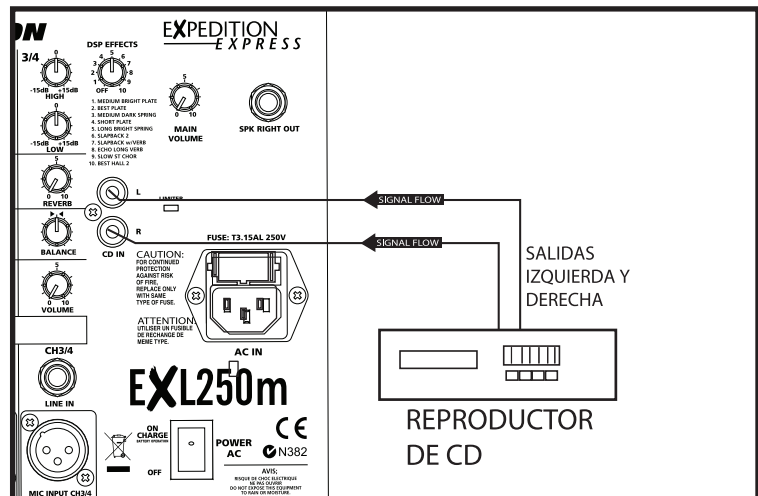
4. Una vez haya seleccionado el efecto predefinido deseado, suba el control Reverb en los canales a los que desee aplicar el efecto digital.

**NOTA:** Si el sonido del efecto se oye distorsionado, baje los controles Reverb de cada canal.

## REPRODUCIR UN CD CON LA ENTRADA CD

El EXPEDITION EXPRESS dispone de una entrada específica para reproducir un equipo estéreo como un CD, un cassette o un Mini Disk. A continuación se explica la manera de reproducir un CD, un cassette o un Mini Disk utilizando la entrada CD del EXPEDITION EXPRESS.

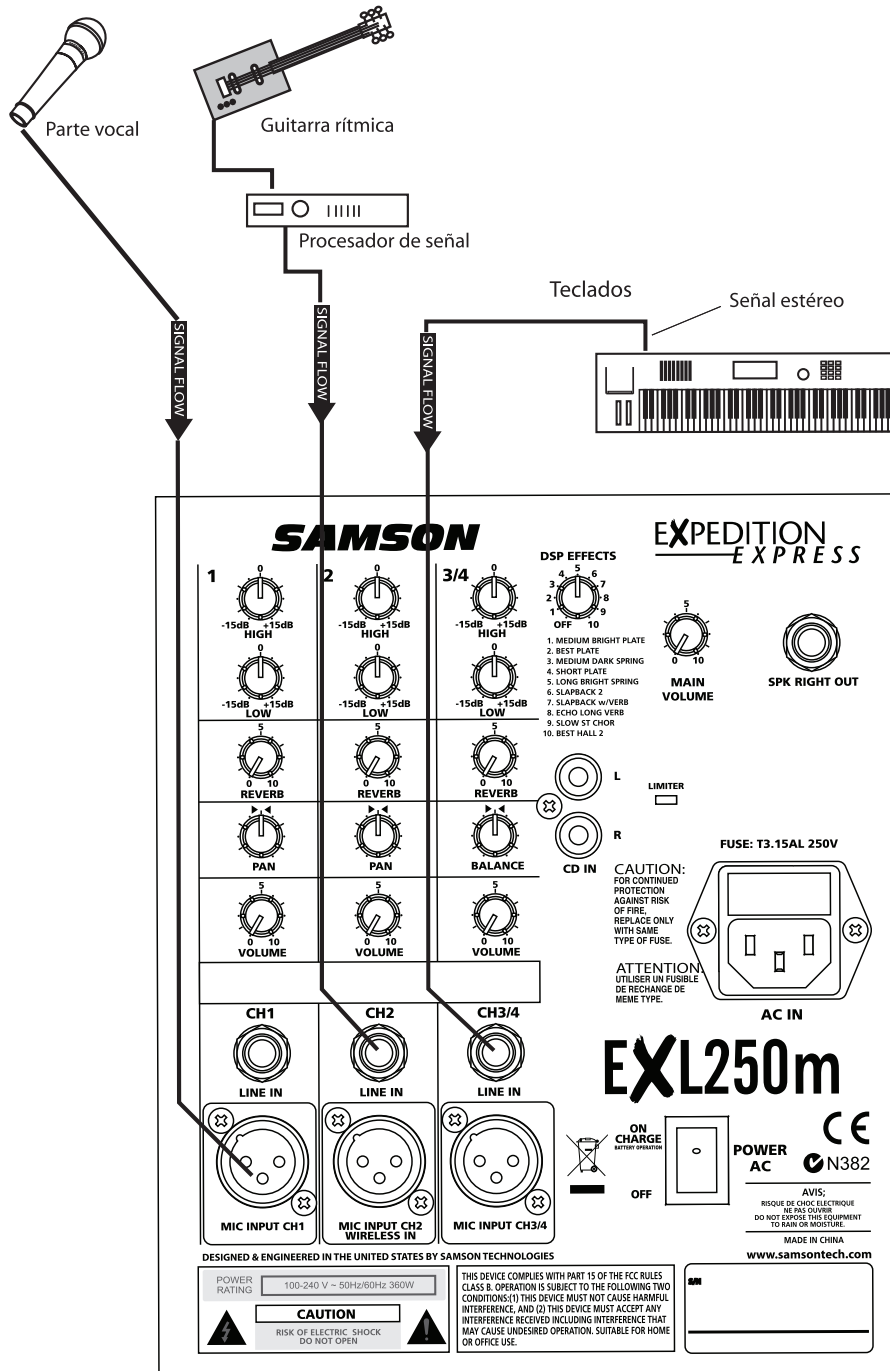
1. Baje el control VOLUME del canal 3/4 al mínimo.
2. Ajuste el mando MAIN VOLUME de la sección maestra a la posición "5".
3. Inicie la reproducción del CD, cassette o Mini Disk, y lentamente suba el control VOLUME del canal 3/4 para ajustar el nivel deseado.



# Instalación del sistema EXPEDITION EXPRESS

## INSTALACIÓN DEL AMPLIFICADOR DE POTENCIA EXPEDITION EXPRESS

Este sistema muestra el EXPEDITION EXPRESS en una instalación como amplificador de potencia. El micrófono está conectado a la entrada Mic del canal 1. La salida del procesador de señal de la guitarra está conectada a la entrada de línea del canal 2. El teclado estéreo está conectado a la entrada estéreo del canal 3/4.



ESPAÑOL

# Accesorios opcionales PILA RECARGABLE RB2030

La pila recargable RB2030 de Samson está diseñada para las cajas Expedition XPL200 y XPL300. La batería recargable Samson RB2030 ha sido diseñada para su uso con los recintos acústicos Expedition EXL250, XPL200 y XPL300. Esta RB2030 incorpora cuatro pilas de gel de 12 V DC, 3.3 A. Una batería RB2030 totalmente cargada debería ofrecer entre 3 y 4 horas de funcionamiento al XPL250, XPL200 o XPL300 a un nivel de volumen relativamente alto. Es posible una duración de la pila de 7–8 horas si se utiliza un nivel de volumen relativamente bajo. **NOTA:** Es el volumen real (el audio que se oye), y no la posición de los controles de volumen, lo que determina la duración de la pila.

Con los cuidados adecuados, la RB2030 funcionará sin problemas durante muchos años. Lea con atención las instrucciones, y tenga en cuenta que la pila se le ha enviado descargada.

## Lista de componentes:

- 1 Pila de celdas de gel RB2030
- 4 Tornillos M4 x 14
- 4 Tornillos M6 x 12

## Instrucciones para instalar la pila

1 Póngase detrás de la caja del Expedition, y ponga la caja boca abajo sobre una superficie blanda para no rayar la rejilla frontal. (figura 1)

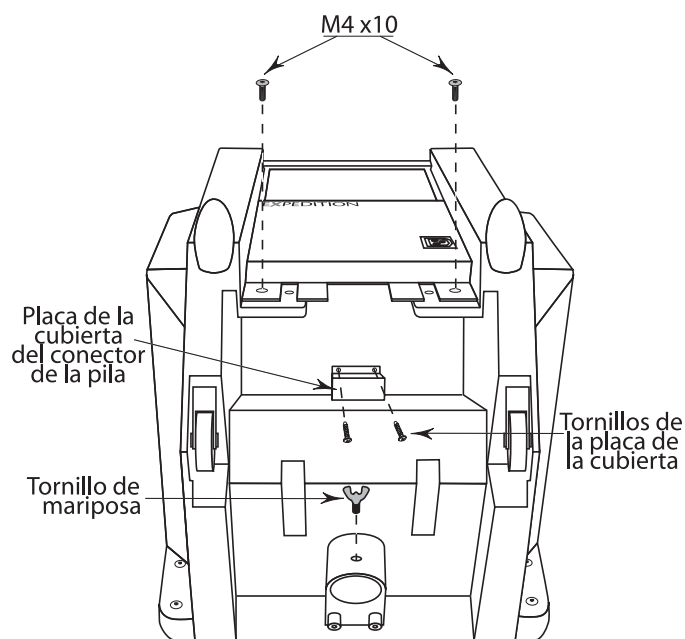
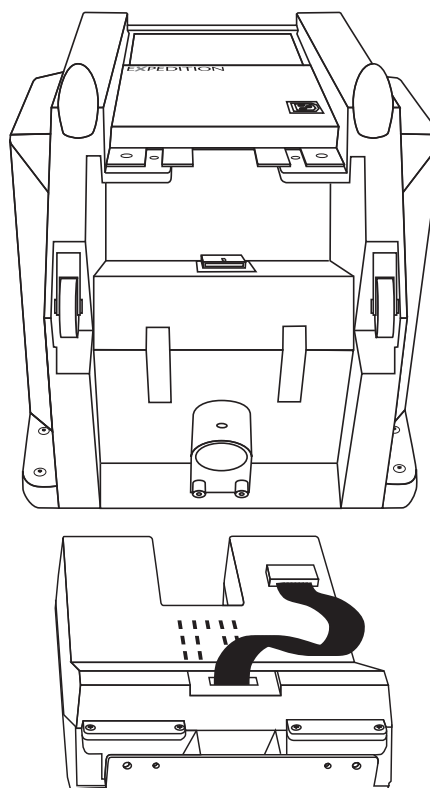


figura 1



# Accesorios opcionales PILA RECARGABLE RB2030

2 Utilice un destornillador phillips para retirar los dos tornillos y la cubierta del conector de la pila.

**Nota:** guarde la cubierta y los tornillos para utilizarlos en el futuro. Retire los dos tornillos M4 x 10 del panel posterior inferior (que deberá volver a utilizar en el paso 6), y el tornillo de mariposa para el montaje en poste (figura 1).

3 Alinee la pila tal como se indica en la figura 2, y coloque sus montantes en la parte inferior del XPL200 o XPL300 tal como se muestra en la figura 3.

4 Conecte el cable de alimentación de la pila tal como muestra la figura 3. **¡IMPORTANTE! Los conectores del cable de alimentación (procedente de la pila) y del enchufe (en la caja) están modulados. Compruebe que conecta correctamente el cable, ya que de lo contrario podría provocar un cortocircuito en la pila que podría resultar en un incendio y/o en fallos internos del amplificador.**

5 Instale la pila en su posición y coloque los dos tornillos M4 x 14 en los dos orificios exteriores, y los dos tornillos M6 x 12 en los orificios interiores en el borde de la pila. Utilice los dos tornillos M4 x 10 (del paso 2) para fijar la parte inferior de la pila a la caja.

## Cargar la pila

Antes de utilizar la RB2030 deberá cargar totalmente la pila. Después de seguir las instrucciones para instalarla, conecte el XPL200 o XPL300 a una toma de corriente y ponga en marcha el equipo. La pila tardará unas 8 horas en cargarse totalmente por primera vez. Las cargas totales subsiguientes pueden realizarse en unas 4 horas. El indicador de nivel de la pila en el panel posterior del XPL200 or XPL300 mostrará el nivel sólo cuando esté desconectado el cable de alimentación de CA.

**IMPORTANTE:** La pila RB2030 debe cargarse totalmente después de cada uso.

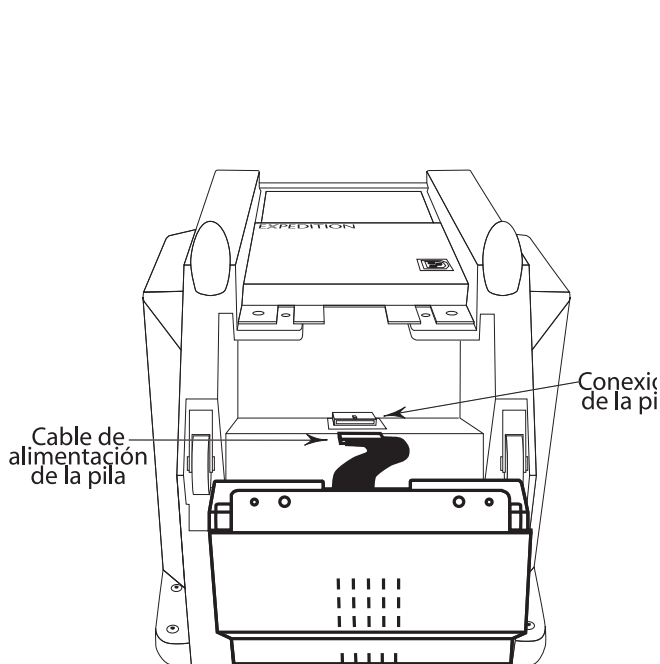


figura 3

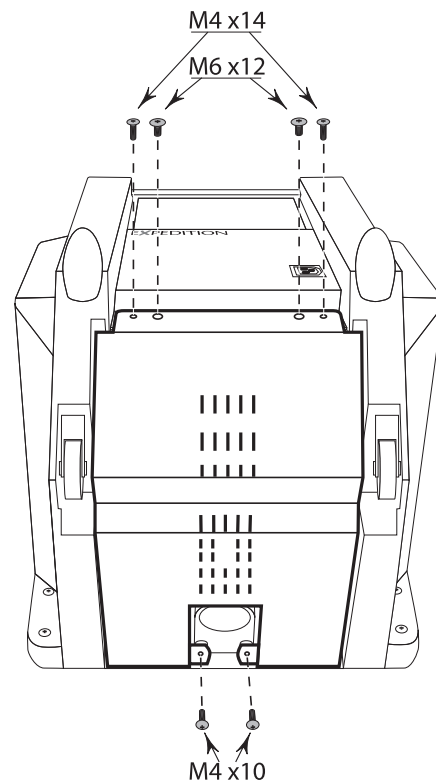


figura 4



## Accesorios opcionales RECEPTORES INALÁMBRICOS / MONTAJE EN POSTE

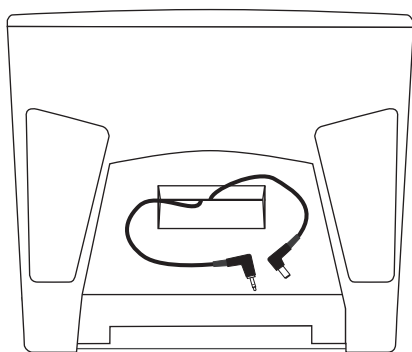


figura 1

Tal como puede ver en la figura 1 de la izquierda, el panel superior del Expedition EXL250, XPL200 y XPL300 dispone de un compartimento pre-cableado que le permite la instalación de cualquiera de los receptores inalámbricos UHF UM1 o AM1 de Samson. La señal de salida de uno de estos receptores inalámbricos montado en el EXL250 es enviada al canal 2 de la mesa de mezclas interna.

### Conectar un microreceptor al Expedition

- 1 Retire la cubierta del compartimento para receptores inalámbricos levantándola del compartimento que se encuentra en la parte superior del Expedition. (ver la figura 1)
- 2 Extraiga los cables de alimentación y de audio del compartimento.
- 3 Conecte el cable de alimentación al jack de entrada de CC del receptor Samson VM1, UM1 o M32.
- 4 Conecte el cable de audio al jack de salida de audio del receptor Samson VM1, UM1 o M32.
- 5 La señal de audio del receptor se envía al canal 2 del mezclador del XPL300.

### -Montaje en poste - Proceso y precauciones

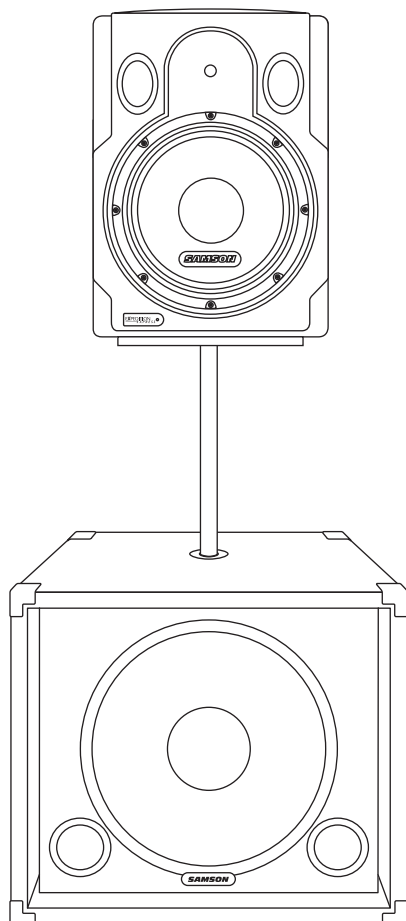
La parte inferior de los recintos acústicos Expedition incluye un casquillo para un soporte de barra de 1-3/8", lo que le permite colocar la unidad elevada sobre cualquier soporte de altavoz standard de barra (como los soportes de altavoz Samson TA50 o TA100). El montaje en poste es aconsejable para maximizar la distancia cubierta por el Expedition (algunas veces conocida como "alcance" del altavoz).

Si está usando un subwoofer dB1500a, puede usar su casquillo integrado para montaje en barra con el soporte de altavoz Samson TS20 para colocar justo encima el recinto EXL250m o EXL250e, creando de esta forma una completa columna de sonido.

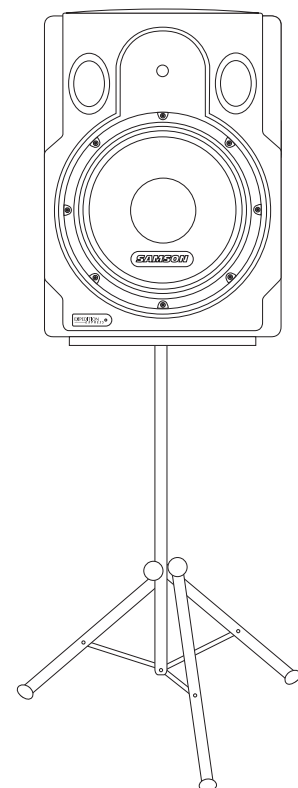
Utilice el sentido común al instalar soportes de altavoz. Siempre que monte cajas en postes, compruebe que todas las fijaciones estén bien instaladas (o instaladas según las especificaciones del fabricante) y que el soporte pueda aguantar el peso de la caja.

Coloque los altavoces y los soportes lejos de las áreas donde vaya a haber gente, cuidando que los soportes no puedan recibir golpes y provocar lesiones al caer o tambalearse.

**¡ADVERTENCIA!** El montaje de cajas en postes debe realizarlo personal cualificado. Samson no asume ninguna responsabilidad, compromiso personal u obligación por las cajas Expedition.



Poste EXL250 montado en un dB1500a



Poste EXL250 montado en un soporte de altavoz

# Wiring Guide / Plan de câblage / Verdrahtung / Guía de cableado

## CONNECTING THE EXPEDITION EXPRESS

There are several ways to interface the EXPEDITION EXPRESS to support a variety of applications. The EXPEDITION EXPRESS features balanced inputs and outputs, so connecting balanced and unbalanced signals is possible.

## CONNEXION DU SYSTÈME EXPEDITION EXPRESS

Plusieurs modes de connexion du EXPEDITION EXPRESS sont possibles en fonction des applications visées. Le système EXPEDITION EXPRESS est équipé d'entrées et sorties symétriques ; il supporte donc les signaux symétriques comme les signaux asymétriques.

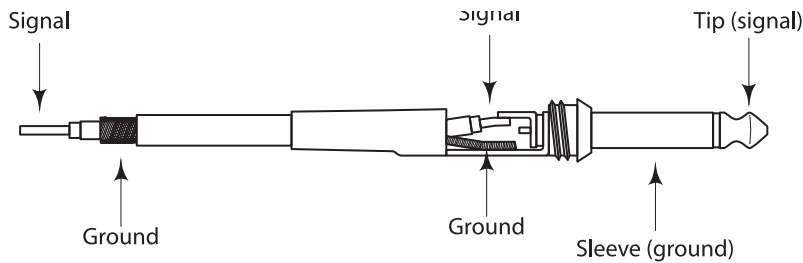
## EXPEDITION EXPRESS VERBINDEN

Sie können das EXPEDITION EXPRESS auf verschiedene Weise in ein System integrieren und dadurch eine Vielzahl von Anwendungen unterstützen. Da das EXPEDITION EXPRESS mit symmetrischen Eingängen und Ausgängen ausgerüstet ist, können Sie symmetrische und asymmetrische Signale anschließen.

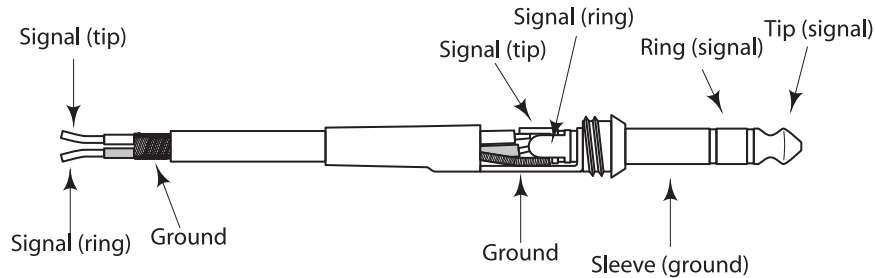
## CONECTAR EL EXPEDITION EXPRESS

Existen diversas maneras de conectar el EXPEDITION EXPRESS para varias aplicaciones. El EXPEDITION EXPRESS dispone de entradas y salidas equilibradas, con lo cual es posible conectar señales equilibradas y no equilibradas.

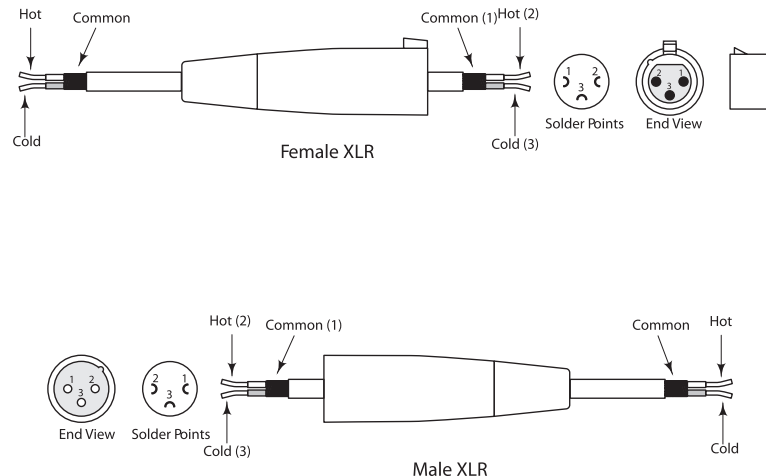
### Unbalanced 1/4" Connector/Connecteur jack 6,35 mm asymétrique/Asymmetrischer 1/4" Anschluss/Conector de 1/4" no equilibrado



### Balanced TRS 1/4" Connector/Connecteur jack stéréo 6,35 mm symétrique/Symmetrischer TRS 1/4" Anschluss/Conector TRS de 1/4" equilibrado



### XLR Balanced Wiring Guide/Plan de câblage pour XLR symétrique/Verdrahtungsanleitung für symmetrische XLR Anschlüsse/Esquema de cableado de un conector XLR equilibrado



---

## Specifications/Caractéristiques techniques/Technische Daten/Especificaciones técnicas

**Power Rating:** (@ 8Ω):

2 x 125 Watts Program

**Frequency Response:**

60 Hz – 15 kHz ± 3 dB

**Sensitivity:**

**Crossover Frequency:**

2.3 kHz (12 dB Per Octave)

**LF Driver:**

12" heavy-duty driver ,  
2.5" voice coil (Kapton Former),  
40 oz. barium ferrite magnet

**HF Driver:**

1" titanium compression driver

**Stereo Mixer Section:**

Inputs

2 Mic/Line XLR/TRS,  
1 Stereo Line w/Mic XLR

Frequency Response

10 Hz - 50 kHz

Crosstalk

70 dB @ 1 kHz

Equalization Frequencies

80 Hz (Low), 12 kHz (High)

Effects

DSP Reverb with 10 Presets

**Mounting:**

Integral 1 3/8" Pole Mount Receptacle,  
Fly Points

**Dimensions:** EXL250m and EXL250e

14 5/8 in. (w) x 17 3/8 (d) x 21 1/4 (h)  
371 mm (w) x 441 (d) x 539 (h)

**Weight:**

EXL250e

28 lbs • 12.7 kg

EXL250m

33 lbs • 15 kg

Samson Technologies Corp.  
45 Gilpin Avenue  
Hauppauge, New York 11788-8816  
Phone: 1-800-3-SAMSON (1-800-372-6766)  
Fax: 631-784-2201  
[www.samsontech.com](http://www.samsontech.com)