

Congratulations on buying cherub Mute drum tutor. Please read this manual carefully to make sure you know how to use it correctly.

**NOTICE FOR SAFETY USE**

**Overall**

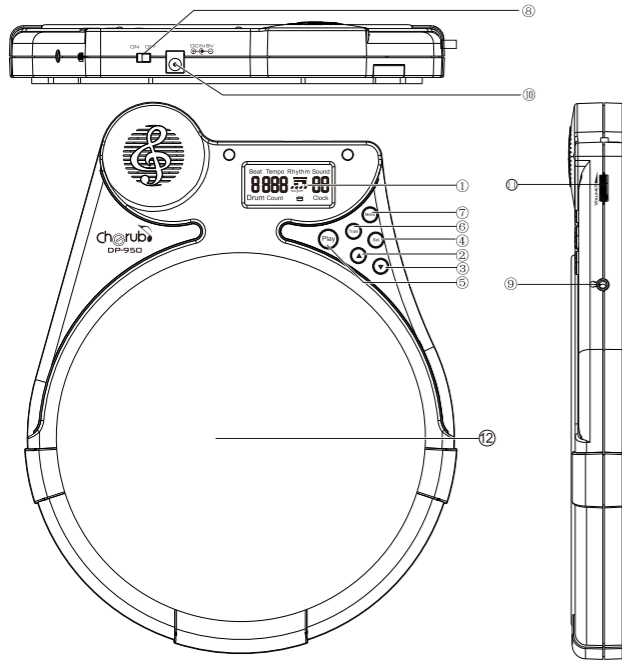
- Never use alcohol, petrol or other strong chemical detergent to wash the LCD or the body of the unit.
- Please do not crush or strike the body of the unit, otherwise its LCD can be broken or cause other malfunctions.
- Do not use in high temperature, high humidity or dust.

**Battery Use**

- Please pay attention to the polarity of the battery when putting in new battery.
- Take out of the battery if the unit will not be used for a long time.
- Take the battery out and put it in again after 10 seconds when the unit does not work properly.
- Replace the battery if the LCD becomes dim.
- Please dispose of the old battery properly.

Appearance and function will be updated without notification.

**MAIN PARTS AND FUNCTIONS**



- ① LCD display.....Display beat, Rhythm, Tempo, Sound Volume
- ② ▲.....Press to change setting parameters
- ③ ▼.....Press to change setting parameters
- ④ Sel.....Choose beat, tempo and rhythm type to adjust
- ⑤ Play.....Start or stop metronome
- ⑥ Training.....Press to enter training mode
- ⑦ Drum.....Press to enter drum sound mode
- ⑧ Power.....Powers on and off the device
- ⑨ Earphone jack.....Use your earphone to hear metronome or drum sound
- ⑩ AC adaptor jack.....Use 9V AC adaptor with shield +, Pin-
- ⑪ Volume.....Adjust the master volume of the device
- ⑫ Rubber pad.....Practice Pad

**OPERATION GUIDE FOR METRONOME MODE**

When the battery is initially put in the DP-950, all functions are displayed for one second. It will then enter "Metronome Mode".

**Metronome Mode**



Press "Metro" to switch between metronome mode and drum sound mode.  
Press "Sel." to enter the edit mode: Beat(0-6), Tempo(30 - 260 bpm), Rhythm, then press ▲ or ▼ to adjust parameter.  
In edit mode, the DP-950 will automatically return to metronome mode if there is no operation within 10 seconds.  
In play mode, press ▲ or ▼ to change the sound volume.

**Drum Sound Mode**



Under the metronome mode, press "Mode" to enter the Drum Sound mode.  
Press "Sel." to select one from 9 preset drum styles.  
Press ▲ or ▼ to adjust rhythm tempo: 30 - 260 bpm.  
Press "Play" to start playing a rhythm.  
In drum sound mode, an icon appears on the LCD display.

**Training Function**

DP-950 has 4 different training modes. Press "Train" key to switch between Beats Counting Mode, Mute Counting Mode, Gradual Up/Down Mode, Step Up /Down Mode.

**Beats Counting Mode**



Practice in Beats Counting Mode can tell you how fast a drummer plays a single stroke roll.  
Press "Train" for one time to enter Beat Counting Mode.  
Press ▲ or ▼ to choose counting duration, choose from 15 seconds, 30 seconds, 45 seconds, 60 seconds and 90 seconds.  
It starts counting after you strike the pad. LCD will show the number of total beats.  
Press "Play" to clear result.

**T1: Mute Counting Mode**



Mute Count Mode is a timing exercise designed to develop and learn "internal" timing. In this mode, the metronome will play at the set volume level for the first four measures then play the second four measures at a muted volume. The four measure cycle of loud and muted counts will continue until stop.  
Press "Train" to choose T1 mode.  
Press "Sel." to enter edit mode: Beat (0-6), Tempo (30 - 260 bpm), Rhythm. Then press ▲ or ▼ to adjust parameters.  
Press "Play" to start and stop metronome.

**T2: Gradual Up/Down Mode**



Practice in "Gradual Up/Down" mode is designed to increase stamina and endurance by gradually increasing and decreasing the tempo. The speed increases 1 BPM every two measures until the maximum metronome value is reached. Once you hit the maximum value, the speed decreases 1 BPM every two measures until you return to the original tempo. The process is then repeated. When "PATTERN" is selected, the speed changes 1 BPM every two measures.  
Press "Train" to choose T2 mode.  
Press "Sel." to enter the edit mode: Beat (0-6), Tempo (30 - 260 bpm), Rhythm. Then press ▲ or ▼ to adjust parameters.  
Press "Play" to start and stop metronome.

**T3: Step Up/Down Mode**

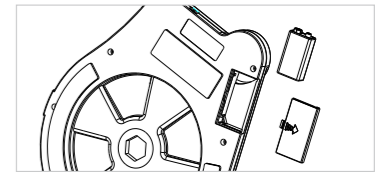


Step Up/Down mode is designed to increase playing endurance by slowly increasing and decreasing the speed of the metronome. In this mode, the metronome's tempo will increase by five beats per minute (5 BPM) after every four measures until it reaches the metronome's maximum tempo. After the maximum tempo is achieved, the metronome's tempo will decrease by five beats per minute (5 BPM) after every four measures. This will continue until it reaches the metronome's starting tempo and then repeats the process.  
Press "Train" to choose T3 mode.  
Press "Sel." to enter the edit mode: Beat (0-6), Tempo (30 - 260 bpm), Rhythm. Then press ▲ or ▼ to adjust parameters.  
Press "Play" to start and stop metronome.

**INSTALLING BATTERIES**

When the LCD or back light becomes dim, please change the batteries promptly as the following image instructs.

**NOTE:** Pay attention to polarity when replacing batteries. Remove the batteries if the product will not be used for a long period.



**SPECIFICATIONS**

- **Metronome**  
Beat: 0, 1, 2, 3, 4, 5, 6  
Tempo range: 30 - 260 bpm  
Electronic sound and drum sound are optional for metronome.  
Beat counter  
Counting duration, choose from 15 seconds, 30 seconds, 45 seconds, 60 seconds and 90 seconds.
- **Drum styles**  
9 different drum styles  
(1) DISCO (2) HARD ROCK (3) HIPHOP (4) ARENA ROCK (5) BOSSA NOVA (6) SAMBA (7) CHA CHA (8) POP (9) FUNK  
Training function: Beat Counting Mode  
T1= Mute Counting Mode  
T2= Gradual Up/Down Mode  
T3= Step Up/Down Mode
- **Power:** Dry battery 9V or adaptive 9V DC
- **Dimensions:** 277Lx216Wx24H (mm)
- **Weight:** 784g

**PRECAUTIONS**

- **Environment:**
  1. Do NOT use the DP-950 in high temperature, or high humidity, or subzero environments.
  2. Do NOT use the DP-950 in the direct sunlight.
- Please do NOT disassemble the DP-950 by yourself.
- Please keep this manual for future reference.

**ACCESSORIES**

- Owner's manual
- 9V battery

**THE FCC REGULATION WARNING (for U.S.A.)**

This equipment has been tested and found to comply with the limits for a Class B digital device, pursuant to Part 15 of the FCC Rules. These limits are designed to provide reasonable protection against harmful interference in a residential installation. This equipment generates, uses, and can radiate radio frequency energy and, if not installed and used in accordance with the instructions, may cause harmful interference to radio communications. However, there is no guarantee that interference will not occur in a particular installation. If this equipment does cause harmful interference to radio or television reception, which can be determined by turning the equipment off and on, the user is encouraged to try to correct the interference by one or more of the following measures:

- Reorient or relocate the receiving antenna.
- Increase the separation between the equipment and receiver.
- Connect the equipment into an outlet on a circuit different from that to which the receiver is connected.
- Consult the dealer or an experienced radio/TV technician for help.

**CE mark for European Harmonized Standards**

CE Mark which is attached to our company's products of Battery mains the product is in fully conformity with the harmonized standard(s) EN 61000-6-3:2007+A1:2011 & EN 61000-6-1:2007 Under the Council Directive 2004/108/ EC on Electromagnetic Compatibility.



Made In China

www.cherubtechnology.com

祝贺您拥有Cherub集节拍器与计数器以及鼓机于一体的产品。在您首次使用本产品以前，请花几分钟时间阅读一下本说明书，以便迅速掌握其使用方法。

注意事项

■主机使用须知

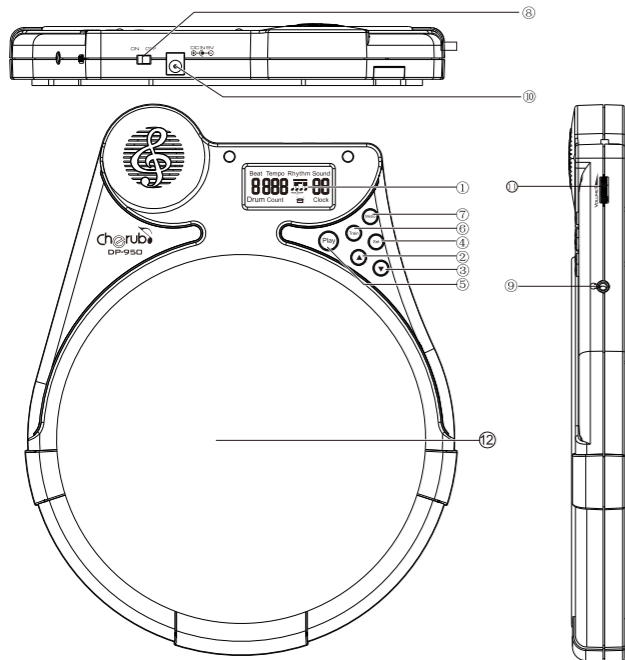
- 请勿用酒精、汽油及其他强烈化学清洁剂擦拭屏幕或机壳。
- 请勿用力挤压或敲击机壳，否则会导致屏幕破裂、机器无法操作等故障。
- 勿在高温、发热、潮湿、污浊之处使用或保管。

■电池使用须知

- 装入电池时请先确认电池放入方向。
- 长时间不使用机器时请将电池取出。
- 若出现异常显示现象请取出电池并等待10秒后重新装入。
- 显示混暗时请更换新电池。
- 废旧电池请勿当作普通垃圾随意丢弃。

■由于进行产品的改良，设计和规格会不事先通知而变更。

部件及功能



- ① 液晶显示界面-----显示beat, 节奏类型, 速度。
- ② 加按键-----调节值以增加的方式改变。
- ③ 减按键-----调节值以减少的方式改变。
- ④ 选择键-----可选择beat, 速度, 节奏类型进行调节。
- ⑤ 启动键-----启动或停止节拍或鼓机演示。
- ⑥ 计数按键-----可以进入计数状态。
- ⑦ 鼓机按键-----可以进入鼓机状态。
- ⑧ 开关键-----打开或关闭机器。
- ⑨ 耳机插孔-----插入耳机。
- ⑩ 9V稳压电源插孔-----插入内负外正9V直流电源。
- ⑪ 音量调节旋钮-----调节节拍或者鼓机声音大小。
- ⑫ 打击垫-----正确打击区域。

操作说明

1 上电开机全显一秒后进入节拍器模式。



2 节拍器模式使用操作说明

在任何模式按“Metro”键切换节拍器模式与鼓机模式。



- (1)按“Sel.”键选择选择参数: Beat(0-6)、Tempo(30-260bpm)、Rhythm,使用▲或▼键调节参数。
- (2)如无按键操作,10秒后将自动返回节拍演示模式下,按“Play”键启动节拍演示。
- (3)在节拍演示状态下,按▲或▼键选择节拍器的拍点声音, LCD上有“🔊”显示时,拍点声音为鼓音,“🔊”不显示时,拍点声音为电子音。

3 鼓节奏模式使用操作说明

在节拍器模式下,按“metro”键进入。



- (1)按“Sel.”键选择鼓节奏 共可选择范围1-9。
- (2)按▲或▼键调整鼓节奏播放速度,调整范围30-260bpm。
- (3)按“Play”键启动鼓节奏播放。

4 计数功能

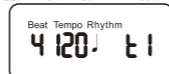
在其他模式下,按“Train”键选择计数功能。



- (1)按▲或▼键调整打击计数的时间,可调整时间为15秒,30秒,45秒,60秒,90秒。
- (2)在第一次敲击时,时间开始倒计时,直到时间为零时停止计时,LCD上将显示你在规则时间内敲击的次数按“Play”键回到计数模式的初始状态。

5 静音计时

节拍器以设定的音量播放4个小节,然后静音播放4个小节,如此循环直至结束。



- (1)按下“Train”键,选择T1模式。
- (2)参数调整同普通节拍器模式,可以调整参数beat, tempo, rhythm等参数。
- (3)按“Play”键启动节拍,再按play键停止节拍。

6 渐高与渐低

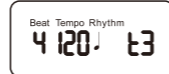
速度以每两个小节提高1BPM,直到达到最高时值。然后速度又以每两个小节减少1BPM,直到原来设定的速度,如此循环直至结束。



- (1)按下“Train”键,选择T2模式。
- (2)参数调整同普通节拍器模式,可以调整参数beat, tempo, rhythm等参数。
- (3)按“Play”键启动节拍,再按“Play”键停止节拍。

7 分步提高与降低

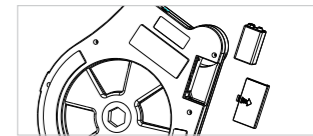
速度以每四个小节提高5BPM,直到达到最高时值。然后速度又以每四个小节渐低5BPM,直到原来设定的速度,如此循环直至结束。



- (1)按下“Train”键,选择T3模式。
- (2)参数调整同普通节拍器模式,可以调整参数beat, tempo, rhythm等参数。
- (3)按“Play”键启动节拍,再按“Play”键停止节拍。

电池安装

当显示屏变暗时请更换电池,更换方法见下图:



▲注意:

- 1.更换电池时,请注意电池的极性。
- 2.若要长期放置产品,请把电池取出。

注意事项

●使用环境:

- 1、避免在高温、潮湿、零下等恶劣的环境中使用。
- 2、避免在强光下使用。

●请勿自行拆卸本机。

●请保存好本手册以便以后查阅。

技术规格

1.节拍器功能

■ Beat可调0-6。 ■ 节拍速度可调30-260。 ■ 节拍器音色可调(电子节拍音与鼓声)。

2.打击计数功能:提供可调时间的打击计数功能15秒,30秒,45秒,60秒,90秒

3.鼓机节奏功能:节奏功能

■节奏可调DRUM: 1-9

- ①.迪斯科-DISCO ②.摇摆-HARDROCK ③.街舞-HIPHOP ④.舞台摇滚-ARENA ROCK ⑤.波萨洛瓦-BOSSANOVA ⑥.桑巴-SAMBA ⑦.恰恰-CHA CHA ⑧.流行音乐-POP ⑨.芬克-FUNK

■节奏速度可调TEMPO: 30-260

4.训练功能:静音计时、渐高与渐低、分步提高与降低

5.体积:277Lx216Wx24H(mm)

6.电源:9V电池或者外接稳压9V直流电源

7.重量:784g

▲ 注意事项:请正确使用,不要敲击液晶屏。

随机包装附件

- 1.说明书 2.9V电池 3.合格证

有关产品中所含有害物质的说明

本资料就本公司产品中所含的特定有害物质及其安全性予以说明。本资料适用于2007年3月1日以后本公司所制造的产品。

**10** 此标志适用于在中国国内销售的电子信息产品,表示环保使用期限的年限。所谓环保使用期限是指在制造日起的规定期限内,产品中所含的有害物质不致引起环境污染,不会对人体、财产造成严重的不良影响。环保使用期限仅在遵照产品使用说明,正确使用产品的条件下才有效。不当的使用,将会导致有害物质泄漏的危险。

产品中有毒有害物质或元素的名称及含量

部件名称	有害有毒物质或元素					
	铅(Pb)	汞(Hg)	镉(Cd)	六价铬(Cr(VI))	多溴联苯(PBB)	多溴二苯醚(PBDE)
外壳(壳体)	X	○	○	○	○	○
电子部件(印刷电路板等)	X	○	X	○	○	○
附件(电源线、交流适配器等)	X	○	○	○	○	○

○:表示该有害物质在该部件所有均质材料中的含量均在SJ/T11363-2006标准规范的限量要求以下。  
X:表示该有害物质至少在该部件的某一均质材料中的含量超出SJ/T11363-2006标准规定的限量要求。因根据现有的技术水平,还没有什么物质能够代替它。

售后服务地址:  
广东省珠海市高新区唐家湾镇科技九路10号  
珠海市蔚科科技开发有限公司 售后服务部  
邮编:519085

制造商:珠海市蔚科科技开发有限公司  
制造商地址:广东省珠海市高新区唐家湾镇科技九路10号  
邮箱:mail@cherubtechnology.com  
电话:0756-3689866



质量承诺

亲爱的小天使用户,在您使用本产品时,请仔细阅读产品说明书,当您有疑问和困难时,请拨打售后服务热线:

**400-990-9866**

- 一周内出现质量问题可退货退款
- 一月内出现质量问题可调换
- 一年内出现质量问题可免费维修
- 终身享有咨询和维修服务

[ 请向销售商索取有效购买凭证并予以保存 ]

换修政策

一、包换政策:

- 1.消费者自购机之日起1个月之内,在正常使用情况下,出现非人为的产品性能故障,且产品外观及包装保持完好,可向所购机的经销商换机。
- 2.消费者在换机时应出示由经销商开出的购机收据及保修卡,否则经销商可以不予更换。

二、保修政策:

产品在购买之日起1年内,可免费享有维修服务;对于超过1年的产品及人为或不可抗力因素造成损坏的产品,我司可提供有偿维修服务。