

# Fluid Audio SRI-2



## User Guide – English

Für das Benutzerhandbuch in Ihrer Sprache besuchen sie bitte [www.fluidaudio.com](http://www.fluidaudio.com)

Para la guía del usuario en el idioma de su país, vaya a [www.fluidaudio.com](http://www.fluidaudio.com)

Pour le Guide de l'utilisateur dans la langue de votre pays, allez à [www.fluidaudio.com](http://www.fluidaudio.com)

## **Introduction**

Welcome to the SRI-2 from Fluid Audio! You may know us from the studio monitors we produce, so we know a thing or two about manufacturing great products for making music. We hope you enjoy the easy to use SRI-2 and take advantage of the speaker AB switching. A unique feature that allows you to check your mix on 2 different sets of studio monitors as you record and mix.

### **High-Resolution Desktop Music Production**

With outstanding dynamic range and low noise, the SRI-2 provides pristine 24-bit/192 kHz audio quality and clarity with best in class low latency. It's premium mic preamps and transparent conversion translate into recordings with depth and richness. With both Combo inputs mounted on the front panel, you know exactly what is plugged in - no need to fumble with inputs on the rear panel. The convenient angled design allows you to easily reach all knobs and buttons, and LED indicators let you know exactly what position they're in - even in dimly lit studios.

### **A Portable Studio Complete with Cubase DAW Software**

Compact and USB powered means portable. The USB 2.0 connection provides ample power to drive headphones for tracking or mixing, while at home or on the road. An external power input (Micro USB) must be used when connecting to your iPad, using the included Cubasis software or any other iPad enabled DAW. Whether you are recording an instrument, such as guitar, or using a microphone requiring 48V phantom power, all buttons and knobs are easy to access. The SRI-2, coupled with the included Cubase LE software, is a powerful and intuitive music production system. And though it comes with Cubase LE, the SRI-2 is compatible with all major DAWs, including Pro Tools, Studio One, and Ableton Live.

### **Solid Construction**

The robust aluminum housing is not only attractive, but sturdy. The volume knob is made of solid aluminum, which gives it the weight and the feel of vintage studio gear.

## Key Features

- 24-bit/192 kHz 2 x 2 USB 2.0 audio interface
- 2 Class-A mic preamps supporting +48 V phantom power
- 2 XLR/TRS inputs for Line/Mic/Instrument recording
- 4 TRS outputs, for AB switching between two pair of monitors
- 1 High-power headphone output with independent level control
- USB-powered for mobile recording using either PC or Mac.
- USB micro external power when used with iPad
- Includes Cubase LE DAW software download version for PC and Mac
- Includes Cubasis LE music for iOS

## Controls Overview

The SRI-2 connects to the outputs and inputs of other audio gear, and performs analog-to-digital (A/D) and digital-to-analog (D/A) audio conversions on the gear's signals. The digital audio signals are routed in and out of the host computer via the high speed USB 2.0 protocol, which is carried on the single USB cable included with the SRI-2.

### **Speaker AB Switching Button:**

The SRI-2 actually has 4 outputs (2 sets for 2 pair of speakers). (Most interfaces have only one pair of outputs). This allows you to switch the routing of your audio to either pair. This helps you evaluate your mix as you can compare on speakers of different size, configuration, etc.

### **Headphones Volume Knob:**

This adjusts the overall listening volume of the headphones plugged into the 1/4" / 6.35mm headphone jack on the front panel

## **SUM Button:**

In it's normal state, the SRI-2 will route input 1 to the left monitor output, and input 2 to the right monitor output. When the SUM button is engaged, however, it will combine both input signals to the main channel outputs, centering the input channels and creating a mono out to your monitors.

(This is handy for a live performance setup where, for instance, a microphone is in input 1 and guitar is in input 2).

NOTE: The SUM function will not sum the inputs that come out of the USB connection – only through the main monitor outputs on the back of the SRI-2 hardware.

## **DAW / Input Knob:**

When this knob is turned all the way to the left (DAW), you will only hear what your DAW is playing back. This includes tracks that are record and/or input enabled. If your system can handle low buffer sizes, you can achieve near zero latency monitoring with the SRI-2 in this mode.

When this knob is turned all the way to the right (Input), you will only be able to monitor what is plugged directly into the SRI-2's inputs. This mode turns down the playback from your DAW completely. You will notice that the signal from input 1 is only present in your left headphone ear cup and the input from channel 2 is only present in the right ear cup (this also is true for you speakers if you are recording with your monitor volume turned up). When recording stereo signals this is fine, but when recording mono signals, you might want to sum the monitoring of the two inputs so that they end up in the center of your headphones and speakers. This is achieved by pressing the SUM button above the DAW / INPUT knob.

## Hardware Setup

1. Place SRI-2 on a sturdy, flat surface.
2. Leave enough room behind the SRI-2 for connection cables.
3. CAUTION: Before powering the SRI-2 on or off, make sure to lower the volume of your monitor speakers (if connected) and remove headphones from your ears.
4. Connect the included USB cable between SRI-2 and host computer. Ensure the cable is fully inserted at both ends.
5. SRI-2 will power up automatically when plugged in.

## Driver Installation

### For Windows 7 or Above Version:

1. Connect the SRI-2 audio interface to the computer.
2. The PC/Mac will detect the new USB driver and install automatically.
  - a. On PC it will install the standard class compliant driver.
3. Go to the website [www.fluidaudio.com](http://www.fluidaudio.com) to download the complete USB driver with additional features.
4. Follow the driver's install instructions.
5. After finishing the install, the SRI-2 can be used.

### For Mac:

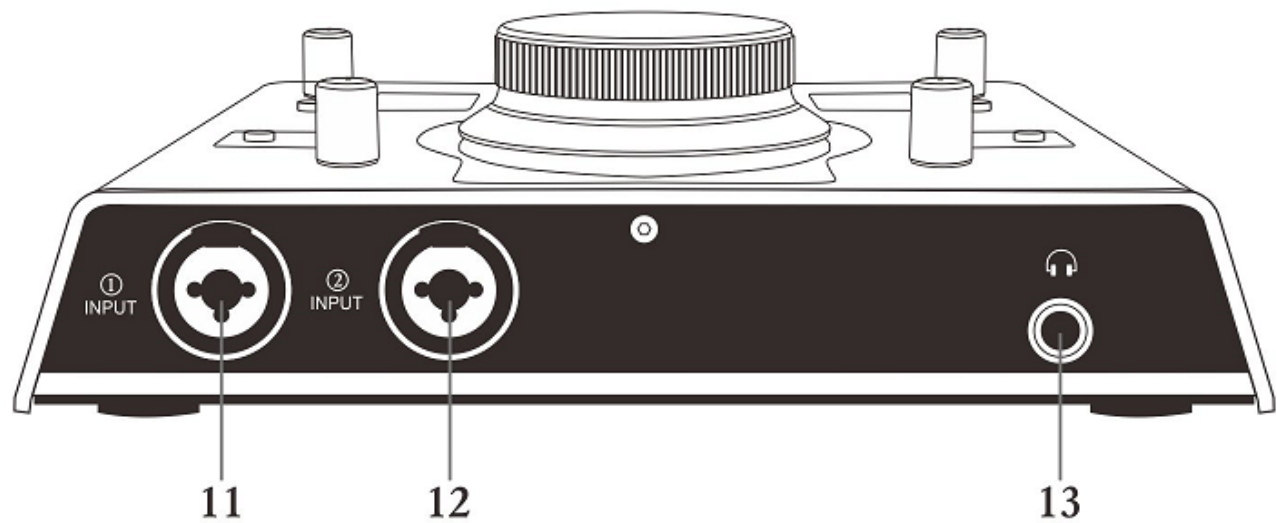
6. Connect the SRI-2 audio interface to the computer and it will be automatically detected.

## Top Panel



1. Master Volume Knob (monitor output)
2. Input Gain Control Knob (Ch. 1)
3. Line/Mic/Instrument Button (Ch. 1)
4. 48V Phantom Power Button
5. SUM (Input summing) Button
6. Direct Monitoring Knob
7. Input Gain Control Knob (Ch. 2)
8. Line/Mic/Instrument Button (Ch. 2)
9. Speaker AB Switch
10. Headphone Volume Knob

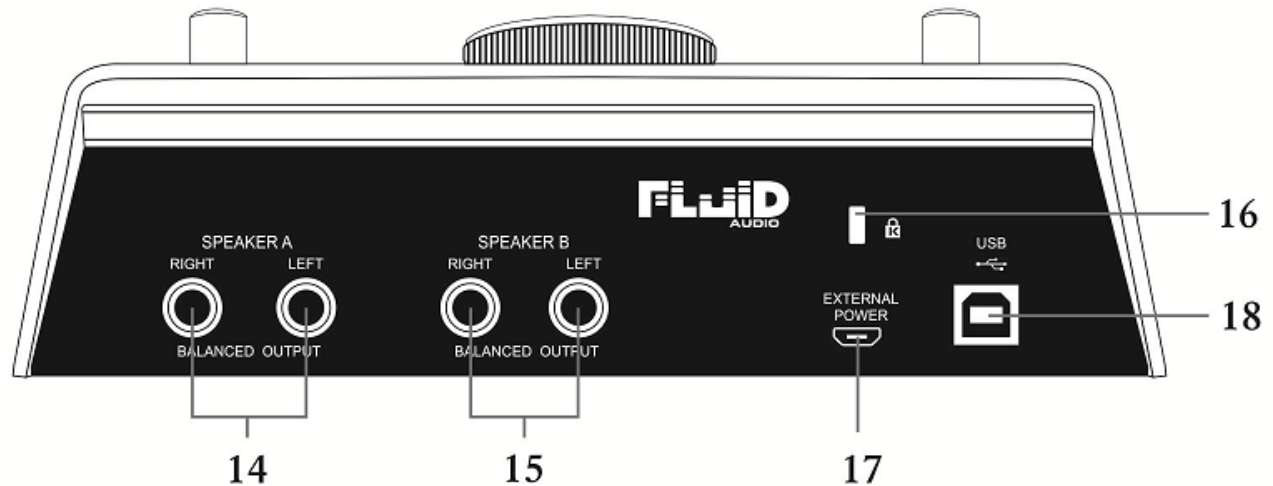
## Front Panel



- 11. XLR/TRS Combo Input 1 (Mic/Line/Instrument)
- 12. XLR/TRS Combo Input 2 (Mic/Line/Instrument)
- 13. Headphone Output Jack



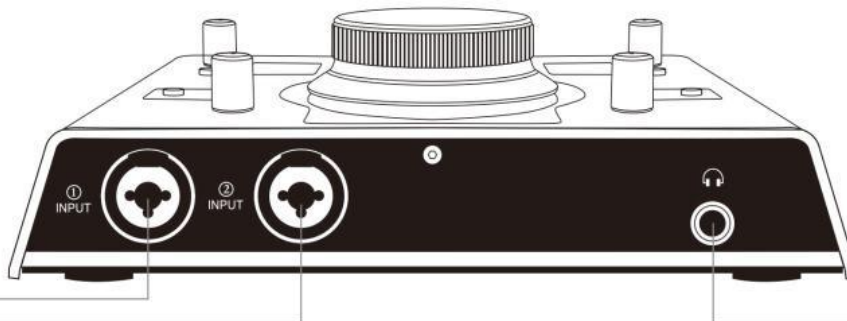
## Rear Panel



- 14. Speakers A Output Jacks (TS or TRS connections can be made)
- 15. Speakers B Output Jacks (TS or TRS connections can be made)
- 16. Kensington Lock
- 17. External Power Micro USB Input (for additional power when used with iPad)
- 18. USB 2.0 Power/Data Input

# Connection Diagram

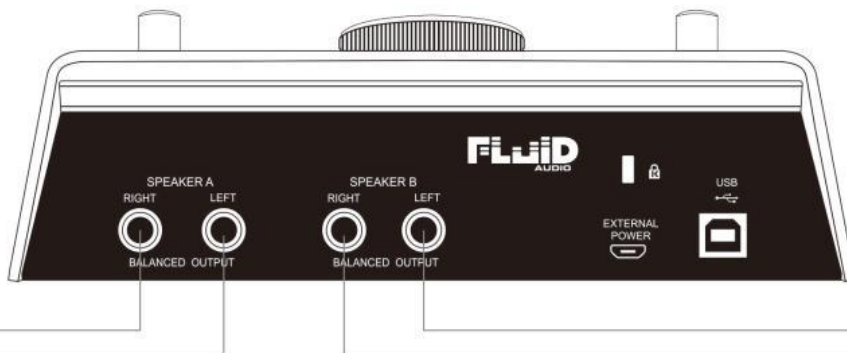
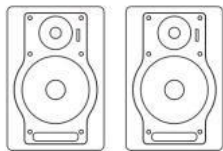
Microphone Instrument



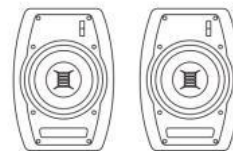
Headphones



Speaker System A



Speaker System B



# Package Contents

SRI-2 Audio Interface

USB Cable

SRI-2 User Guide

Cubase LE/Cubasis Code Card

Cubase LE/Cubasis Quick Start Guide



[www.fluidaudio.com](http://www.fluidaudio.com)

Fluid Audio  
SRI-2 User Guide V1.0