



Centraverse Boundary Microphone

The Shure Centraverse CVB is a professional boundary electret condenser microphone for use in desktop installed sound reinforcement applications. Available in cardioid and omnidirectional polar patterns and black or white color options, its low-profile design fits seamlessly within any design aesthetic.

Features

- Superior Shure design and rugged, dependable construction
- Available in cardioid or omnidirectional polar patterns
- Attached 12 ft XLR cable
- Mounting holes for secure installation
- Commshield® technology guards against unwanted RF interference from portable wireless devices (smartphones, etc.)

Model Variations

CVB-B/C: Black, Cardioid

CVB-B/O: Black, Omnidirectional

CVB-W/C: White, Cardioid

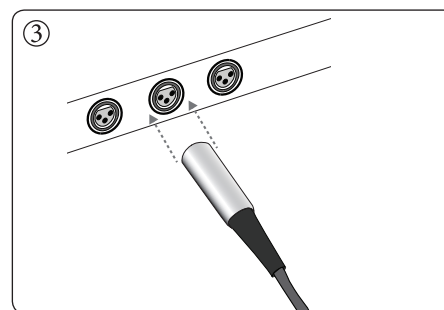
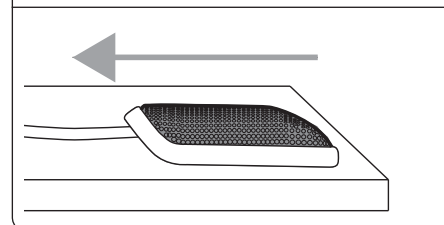
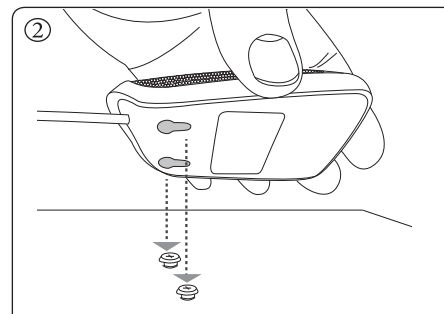
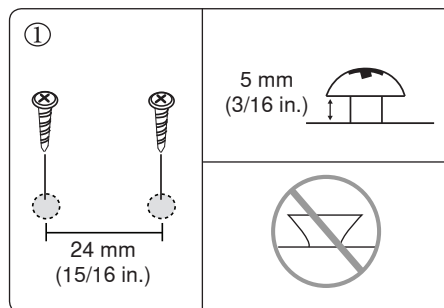
CVB-W/O: White, Omnidirectional

Note: Model availability depends on region. See your local Shure dealer or distributor for details.

Installation

1. Install two screws into the mounting surface, exactly 24 mm (15/16 in.) apart. Leave a 5 mm (3/16 in.) gap between the screw head and the mounting surface. Only use screws with a flat-bottom head.
2. Place the microphone onto the screws and slide backwards to lock into place.
3. Connect the XLR cable to a mixer or P.A. system.

Note: This microphone requires +48V phantom power to operate.



Microphone Placement

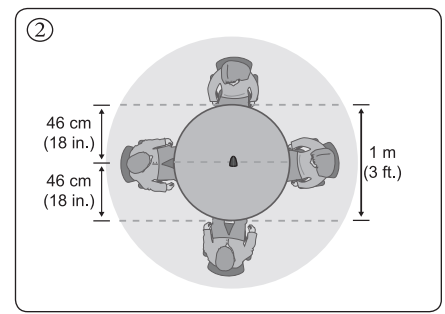
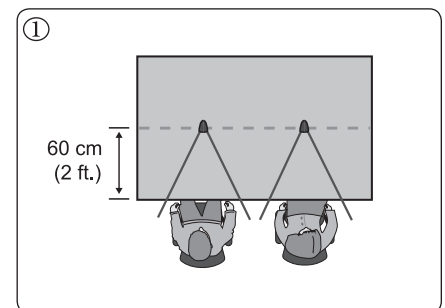
Use the following information to achieve the best results for each model variation.

① Cardioid

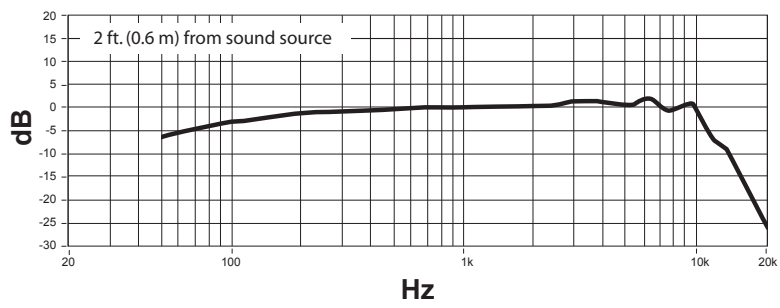
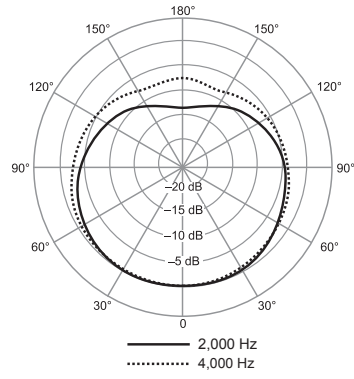
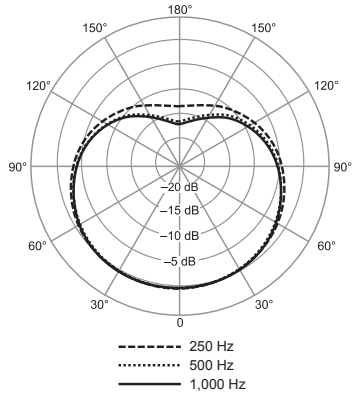
The cardioid model captures sound in front of the microphone and rejects off-axis sounds. It is best suited to capture one person or a small group in close proximity to one another.

② Omnidirectional

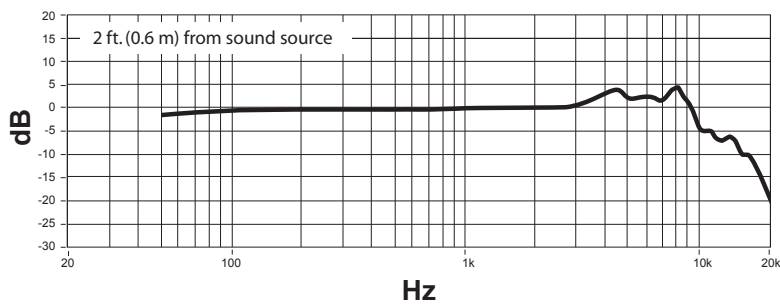
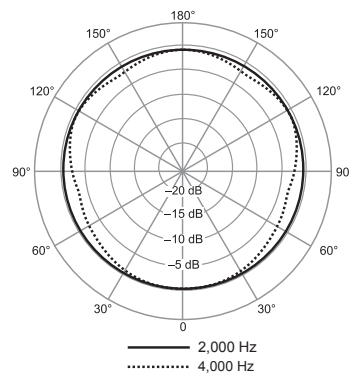
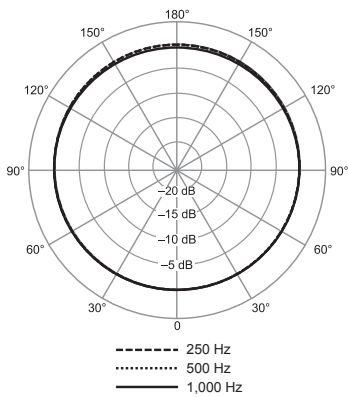
The omnidirectional model captures sound from all angles. It is ideal for capturing larger groups and sounds coming from multiple directions.



CVB / C



CVB / O



Specifications

Cartridge Type

Electret Condenser

Polar Pattern

CVB/O	Omnidirectional
CVB/C	Cardioid

Frequency Response

70–16000 Hz

Output Impedance

180 Ω

Sensitivity

open circuit voltage, @ 1 kHz, typical

CVB/O	-28 dBV/Pa[1] (40 mV)
CVB/C	-32.5 dBV/Pa[1] (23 mV)

Maximum SPL[2]

1 kHz at 1% THD

CVB/O	117 dB SPL
CVB/C	120 dB SPL

Signal-to-Noise Ratio[3]

Ref. 94 dB SPL at 1 kHz

CVB/O	74 dB
CVB/C	67 dB

Dynamic Range

CVB/O	97 dB
CVB/C	93 dB

Self Noise

equivalent SPL, A-weighted, typical

CVB/O	20 dB SPL
CVB/C	27 dB SPL

Preamplifier Output Clipping Level

@ 1 kHz, at 1% THD

CVB/O	-6 dBV
CVB/C	-7 dBV

Common Mode Rejection

10 Hz to 100 kHz

>45 dB

Polarity

Positive pressure on diaphragm produces positive voltage on pin 2 with respect to pin 3

Environmental Conditions

Operating Temperature	-18 to 57 °C (0 to 135 °F)
Storage Temperature	-29 to 74 °C (-20 to 165 °F)
Relative Humidity	0 to 95%

Power Requirements

11–52 V DC[4], 2.0 mA

Weight

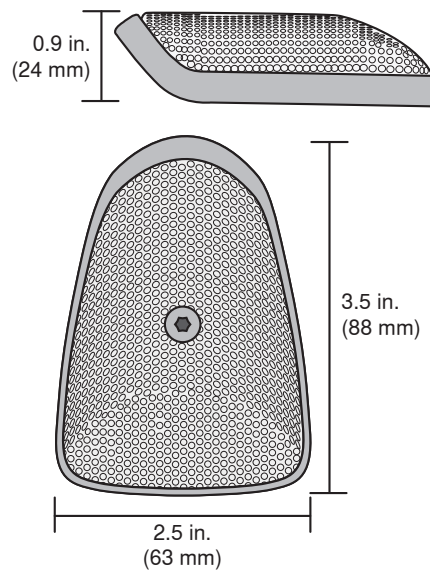
8 oz. (227 g)

[1] 1 Pa=94 dB SPL

[2] THD of microphone preamplifier when applied input signal level is equivalent to cartridge output at specified SPL

[3] S/N ratio is the difference between 94 dB SPL and equivalent SPL of self noise, A-weighted

[4] All specifications measured with a 48 Vdc phantom power supply. The microphone operates at lower voltages, but with slightly decreased headroom and sensitivity.



SHURE[®]