



WiFi-800

Fog Machine User Manual



English • Français • Deutsch • 中文



Not just wireless but mobile.

This is world's 1st SmartPhone controlled fog machine : Antari WiFi800 .

WiFi800
WIRELESS FIDELITY



User Manual

*Congratulations on the purchase of your new
ANTARI WiFi-800 FOG MACHINE.*

■ ***Introduction***

Thank you for choosing the ANTARI WiFi-800 Fog Machine. You now own a state-of-the-art machine. Prior to use, we suggest that you carefully read all of the instructions. By following the suggestions found in this user manual, you can look forward to the reliable and satisfactory performance of your ANTARI Fog Machine for years to come.

Please follow these operation, safety and maintenance instructions to ensure a long and safe life-time for your fog machine.



CAUTION:

Risk of electric shock. Disconnect the appliance from the electric supply before refilling liquid, cleaning or performing maintenance on the machine.

■ ***Danger of Electric Shock***

- ◆ Household Use only. Not designed for outdoor use.
- ◆ Use grounded electrical outlet only. Prior to use take care to determine that the unit is installed at the rated voltage.
- ◆ Always unplug your ANTARI Fog Machine before filling its liquid tank.
- ◆ Always keep fog machine in upright position.
- ◆ Turn off or unplug the machine when not in use.
- ◆ This machine is not water-proof. Keep this device dry. Don't immerse in water. If moisture, water, or fog fluid gets inside the housing, immediately unplug the unit and contact an authorized service technician or your ANTARI dealer before using it again.
- ◆ No user serviceable parts inside. Refer to your ANTARI dealer or qualified service personnel.

■ ***Danger of Burns***

- ◆ This device is for adult use only and must be installed out of the reach of children. Never leave the unit running unattended.
- ◆ Never aim the output nozzle directly at people.
- ◆ Fog machine output is very hot. Avoid coming within 60 cm of the output nozzle during operation.
- ◆ Locate the fog machine in a well-ventilated area. Never cover the unit's vents. In order to guarantee adequate ventilation, allow a free air space of at least 20 cm around the sides and top of the unit.
- ◆ Never aim the output nozzle at flames.
- ◆ If the supply cord is damaged, it must be replaced by manufacturer or its service agent or qualified personnel in order to avoid a hazard.
- ◆ Always let your ANTARI Fog Machine cool down before cleaning or service.

■ ***Danger of Explosion***

- ◆ Never add flammable liquids (such as oil, gas, perfume) to the fog liquid tank.
- ◆ Use only high-quality, water-based fog liquid that your dealer recommends. Other fog liquids may cause clogging or damage fog machine.
- ◆ Always make sure there is sufficient liquid in the tank. Operating this unit without liquid will cause damage to the pump as well as over-heating of the heater.
- ◆ If your ANTARI fog machine fails to work properly, discontinue use immediately. Drain all fog liquid from the tank, pack the unit securely (preferably in the original packing material), and return it to your ANTARI dealer for service.
- ◆ Always empty fluid tank before posting or transporting this unit.
- ◆ Never drink fog liquid. If it is ingested, call a doctor immediately. If fog liquid comes in contact with skin or eyes, rinse thoroughly with water.

Note: Pay attention to all warning labels and instructions printed on the exterior of your ANTARI Fog Machine

■ ***Unpacking & Inspection***

Open the shipping carton and verify that all equipment necessary to operate the system has arrived intact.

The shipping carton should contain the following items:

1. One unit of Antari WiFi-800 Fog Machine
2. Power cord
3. User Manual

If any equipment is missing contact your ANTARI dealer immediately.

Before beginning your initial setup on ANTARI WiFi-800 Fog Machine, make sure that there is no evident damage caused by transportation. In the event that the unit's housing or cable is damaged, do not plug it in and do not attempt to use it until after contacting your ANTARI dealer for assistance.

■ **Setting Up**

Step 1: Place the machine on a flat surface and in a suitable large area with at least 50 cm open space around the machine.

Step 2: Fill the fluid tank with Antari approved fluid.

Step 3: Connect the machine to suitable rated power supply. To determine the power requirement for the machine refer to the label on the back of the machine.

Step 4: Turn on the machine and allow it to heat up, while the machine is heating up the LED status light on pushbutton will "Flash Red". Heat up takes approximately 2 minutes. Once the machine has reached operating temperature, the status LED will light "Solid Red". Now the machine is ready for operation.

Step 5: To start making smoke, press the pushbutton located on the handle; release pushbutton to stop.

Step 6: To turn off the machine, put the power switch to the **OFF** position.

■ **App Download**

Downloading the application

Login to the App Store and download the Antari Fog 800 application. It allows you to control the WiFi-800 using your mobile devices with iOS / Android operating systems.



■ **Connecting mobile devices with iOS / Android to WiFi-800**

Step 1: On your mobile devices, select Settings > Wi-Fi > list of available Wi-Fi device will be shown.

Step 2: Select WIFI800-0000XXXX (e.g. WIFI800-00001001).

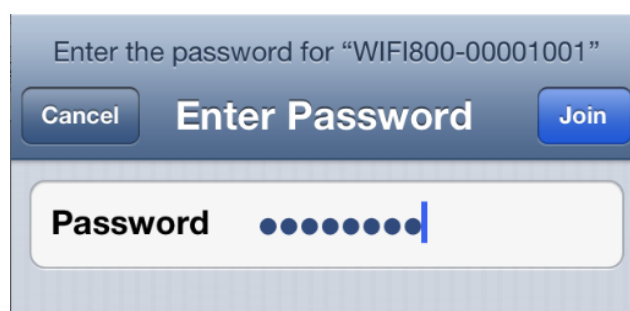
“0000XXXX” is based on the last four digits of the serial number, which is printed on the rear of the machine (near the power cord). It is also the default SSID and password.



Step 3: A password query is displayed.

The password is an 8-digit number, based on the last four digits of the serial number (e.g. 00001001).

Enter the password to connect to the machine, and wait until the network name is checked.



■ **Controlling**

The Fog 800 application provides you two ways to control your WiFi-800 fog machine:



Timer Mode – allows you to set the fog duration time. Slide the time bar (from 1 to 60 seconds); press ON to start emitting fog. The fog emission will stop once the timer counts down to zero.

Continuous Mode – simply press the ON button to emit fog. The machine continuously emits fog; to stop press the OFF button.

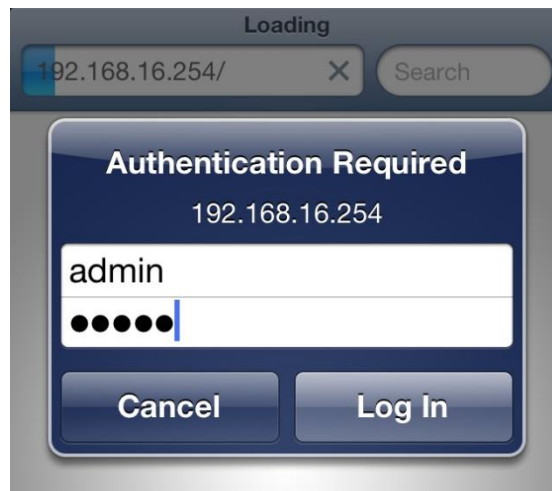
Note: If the ON button is pressed and the machine cannot emit fog, please make sure the

continuous cycle  button is turn on.

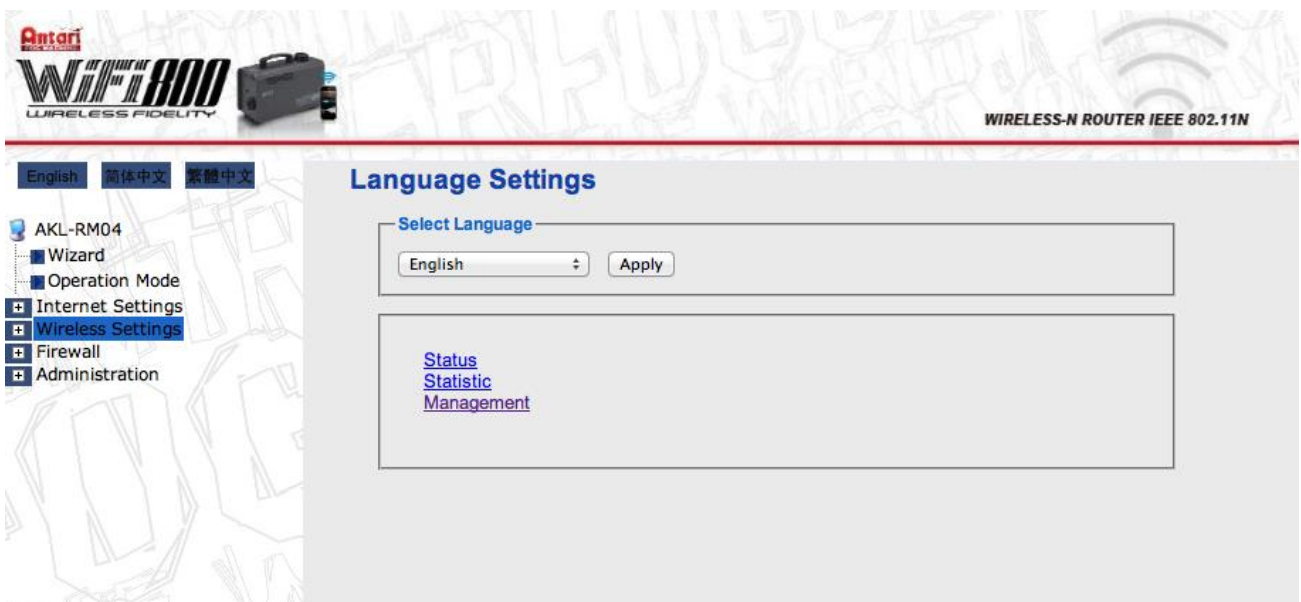
■ **Advanced Wi-Fi settings**

Wi-Fi settings are intended for users with advanced knowledge only.

A web-based configuration panel allows you to customize your Wi-Fi settings. To start the configuration, first establish a Wi-Fi connection with the machine, then open a web browser, enter <http://192.168.16.254> and when the login window appears enter the default user name *admin* and password *admin*.



The configuration panel is displayed.



■ **Wireless settings > Basic**

Basic Wireless Settings

You could configure the minimum number of Wireless settings for communication, such as Network Name (SSID) and Channel. The Access Point can be set simply with only the minimum setting items.

| Wireless Network | |
|-------------------------------|--|
| Network Mode | 11b/g/n mixed mode ▼ |
| Network Name(SSID) | WiFi800-00001303 Hidden <input type="checkbox"/> Isolated <input type="checkbox"/> |
| Broadcast Network Name (SSID) | <input checked="" type="radio"/> Enable <input type="radio"/> Disable |
| AP Isolation | <input type="radio"/> Enable <input checked="" type="radio"/> Disable |
| BSSID | 44:33:4C:B6:F1:DC |
| Frequency (Channel) | 2412MHz (Channel 1) ▼ |

- Network Mode** Select one of the following that meets your clients
 11b/g mixed mode
 11b only
 11g only
 11b/g/n mixed mode **default**
 11n only(2.4G)
- Network Name(SSID)** The name of your wireless network, create a name for your wireless network using up to 32 characters.
- Broadcast Network Name(SSID)** Enable is default setting. If Disable is selected, the SSID of the machine will not be seen. The wireless client will have to know the SSID in order to connect to it.
- AP Isolation** Preventing devices connected to AP from communicating directly with each other. Default is set to Disable.
- Frequency (Channel)** Select transmitting frequency.

■ **Wireless Settings > Security**

| Select SSID | |
|----------------------|---|
| SSID choice | WIFI800-00001001 ▾ |
| "WIFI800-00001001" | |
| Security Mode | WPAPSKWPA2PSK ▾ |
| WPA | |
| WPA Algorithms | <input type="radio"/> TKIP <input checked="" type="radio"/> AES <input type="radio"/> TKIPAES |
| Pass Phrase | 00001001 |
| Key Renewal Interval | 3600 seconds (0 ~ 4194303) |

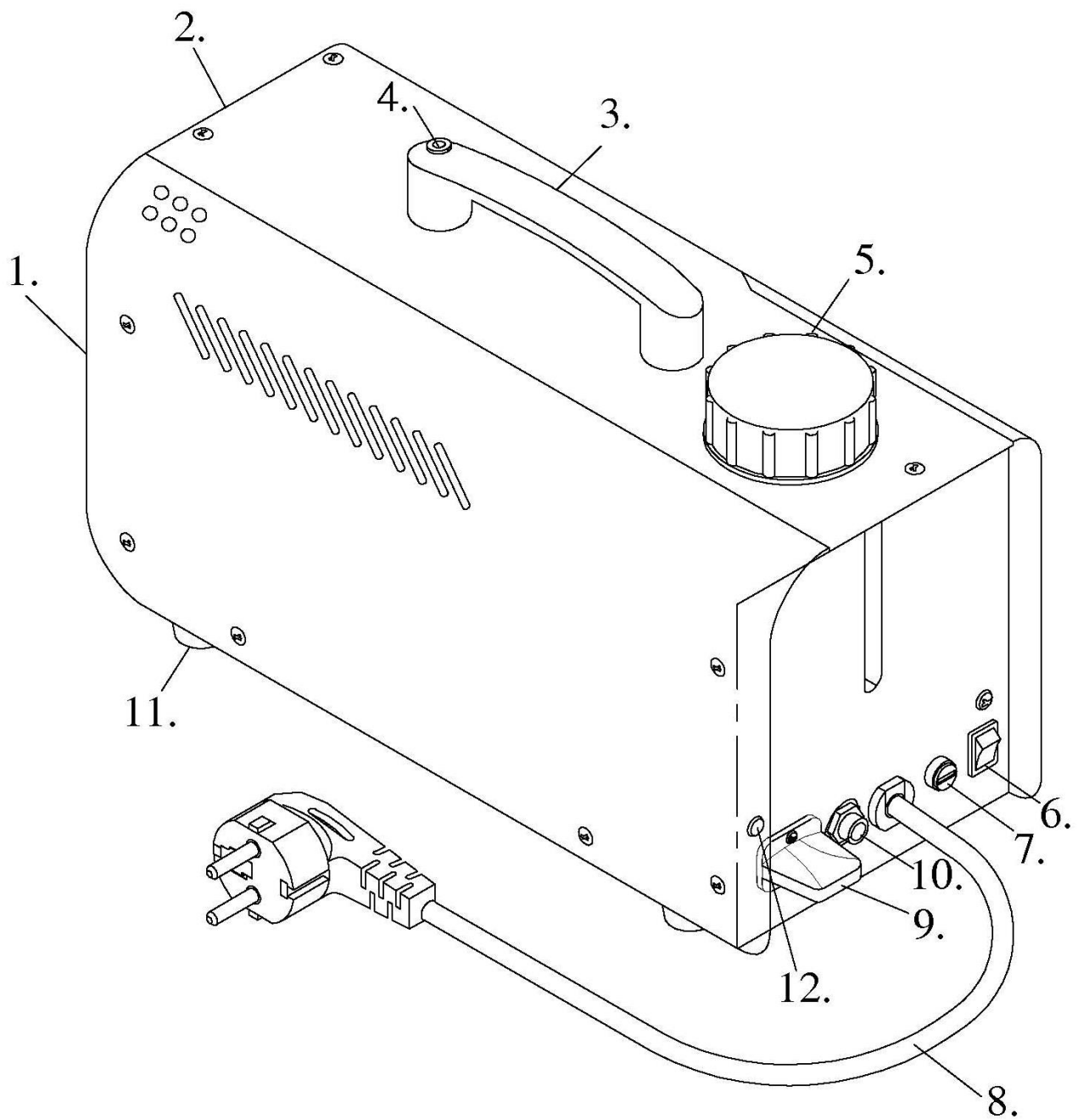
- SSID choice** Select a SSID to start configuration
- Security Mode** Choose one of the following mode for data protection:
 Disable
 OPENWEP
 WPA-PSK
 WPA2-PSK
 WPAPSKWPA2PSK (**default**)
- WPA Algorithms** TKIP
 AES
 TKIPAES
- Pass Phrase** Setup password
- Key Renewal interval** Enter the amount of time before the group key used for broadcast and multicast data is changed (**3600 is default**)

■ **Administration > Management**

| Adminstrator Settings | |
|-----------------------|-------|
| Account | admin |
| Password | ***** |

- Account** Change login account name (**default is admin**)
- Password** Change login password (**default is admin**)

- | | |
|--------------------------|---------------------------|
| 1. Nozzle | 7. Fuse holder |
| 2. Body | 8. Power cord |
| 3. Handle | 9. Antenna |
| 4. Handle push button | 10. Control Outlet Socket |
| 5. Tank cap & tank | 11. Foot |
| 6. Rocker switch / Power | 12. LED |



■ **Technical Specifications**

| | |
|-----------------------------|---|
| Model | WiFi-800 |
| Power Supply | AC100-120V, AC 220-240V / 50HZ - 60HZ |
| Power Consumption | 800 W |
| Output Volume | 3000 Cubic Feet / Min |
| Tank Capacity | 0.8 Liter |
| Fluid Consumption | 60 Min. / 0.8 Liter |
| Weight | 4.1 kg |
| Dimensions (LxWxH) | 315 x 128 x 220 mm |
| Optional Controllers | Z-10 On/Off Controller, Z-40 Timer Controller, Z-50 Wireless Controller |
| First Heat-up Time | 1.7 min |

■ **Optional Controllers for WiFi-800**

- ◆ **Z-10:** 10 meter wired remote controller with 1/4 inch jack plug. The red light indicates that the unit is receiving power. When the fog machine has reached operating temperature the green light on this remote controller will light up, indicating that the operator may begin fog emission by pressing the red button. The green light flashes during fog machine warm-up and re-heating cycles (approx. 1-2 minutes), and stays ON when the machine becomes operational. The Z-10 features the “toggle switch” function: press once for continuous “ON”, press again to release continuous “ON” function
- ◆ **Z-40:** 10 meter wired remote controller with 1/4 inch jack plug. Its two knobs allow users to customize the duration and interval of fog output time. Press the yellow TIMER-button to activate the timer function. Adjust the interval between each fog emission (within the range of 10 to 250 seconds) by means of the INTERVAL control knob. Adjust the duration of each fog emission (within the range of 10 to 120 seconds) by means of the DURATION control knob. When pressed, the green FOG button overrides all other control functions and activates maximum output.
- ◆ **Z-50:** Wireless remote controller with 1/4 inch jack plug. A remote operation is possible up to a distance of 50 meters in open area. Keep the red button pressed for fogging.

■ Z-10, Z-40, Z-50 Remote Controllers

| Z-10 | Z-40 | Z-50 (wireless) |
|--|---|---|
| Cable Length: 10 m Connector: 6,3 mm jack Function: On/Off Toggle Switch | Cable Length: 10 m Connector: 6,3 mm jack Function: Timer with interval and duration; manual On/Off | Cable Length: wireless, up to 50 m Connector: 6,3 mm jack Function: wireless On/Off |
| <p>6,3 mm jack</p> <p>Power indicator (green)</p> <p>On/Off Switch</p> | <p>Duration</p> <p>Interval</p> <p>6,3 mm jack</p> <p>FOG</p> <p>Power On/Off</p> <p>Timer On/Off</p> | <p>Transmitter</p> <p>Control Button</p> <p>Indicator</p> <p>Cover</p> <p>Hook</p> <p>Receiver Box</p> <p>6,3 mm jack</p> |

■ Performance Note

- ◆ All fog machines develop condensation around the output nozzle. Because this may result in some moisture accumulation on the surface below the output nozzle, consider this condensation when installing your unit.
- ◆ All fog machines may sputter small amounts of fog occasionally during operation and for a minute or so after being turned off.

■ Maintenance

Do not allow the fog liquid to become contaminated. Always replace the caps on the fog liquid container and the fog machine liquid tank immediately after filling. After every 40 hours of operation, it is recommended to use distilled water to run a cleaning process.

The recommended cleaning regimen is as follows:

1. Empty all fog liquid from the machine. Add distilled water to liquid tank. Plug unit in and begin warm up.
2. Run the unit in a well-ventilated area and run the fog machine briefly. Do not allow the pump to run dry.
3. Cleaning is now completed. Empty the water left inside liquid tank and refill with fog liquid. Run the machine briefly again.

Note:

Cleaning your fog machine regularly can help reduce replacement and repair costs.

After a certain period time of usage, all fog machines tend to clog due to the thick consistency of fog liquid and the high temperature at which it vaporizes. However, a properly maintained fog machine should provide a longer and more reliable life-time.

■ Storage

1. When the machine is not in use, store it in a cool and dry place.
2. It is strongly recommended to test-run the machine on a monthly basis in order to achieve its best condition. A test-run consists of warming up the machine followed by a few minutes of emission. After that, follow Step 1 under Storage.

Please read and save these instructions.



User Manual

*Congratulations on the purchase of your new
ANTARI WiFi-800 FOG MACHINE.*

■ ***Introduction***

Thank you for choosing the ANTARI WiFi-800 Fog Machine. You now own a state-of-the-art machine. Prior to use, we suggest that you carefully read all of the instructions. By following the suggestions found in this user manual, you can look forward to the reliable and satisfactory performance of your ANTARI Fog Machine for years to come.

Please follow these operation, safety and maintenance instructions to ensure a long and safe life-time for your fog machine.



CAUTION:

Risk of electric shock. Disconnect the appliance from the electric supply before refilling liquid, cleaning or performing maintenance on the machine.

■ ***Danger of Electric Shock***

- ◆ Household Use only. Not designed for outdoor use.
- ◆ Use grounded electrical outlet only. Prior to use take care to determine that the unit is installed at the rated voltage.
- ◆ Always unplug your ANTARI Fog Machine before filling its liquid tank.
- ◆ Always keep fog machine in upright position.
- ◆ Turn off or unplug the machine when not in use.
- ◆ This machine is not water-proof. Keep this device dry. Don't immerse in water. If moisture, water, or fog fluid gets inside the housing, immediately unplug the unit and contact an authorized service technician or your ANTARI dealer before using it again.
- ◆ No user serviceable parts inside. Refer to your ANTARI dealer or qualified service personnel.

■ ***Danger of Burns***

- ◆ This device is for adult use only and must be installed out of the reach of children. Never leave the unit running unattended.
- ◆ Never aim the output nozzle directly at people.
- ◆ Fog machine output is very hot. Avoid coming within 60 cm of the output nozzle during operation.
- ◆ Locate the fog machine in a well-ventilated area. Never cover the unit's vents. In order to guarantee adequate ventilation, allow a free air space of at least 20 cm around the sides and top of the unit.
- ◆ Never aim the output nozzle at flames.
- ◆ If the supply cord is damaged, it must be replaced by manufacturer or its service agent or qualified personnel in order to avoid a hazard.
- ◆ Always let your ANTARI Fog Machine cool down before cleaning or service.

■ ***Danger of Explosion***

- ◆ Never add flammable liquids (such as oil, gas, perfume) to the fog liquid tank.
- ◆ Use only high-quality, water-based fog liquid that your dealer recommends. Other fog liquids may cause clogging or damage fog machine.
- ◆ Always make sure there is sufficient liquid in the tank. Operating this unit without liquid will cause damage to the pump as well as over-heating of the heater.
- ◆ If your ANTARI fog machine fails to work properly, discontinue use immediately. Drain all fog liquid from the tank, pack the unit securely (preferably in the original packing material), and return it to your ANTARI dealer for service.
- ◆ Always empty fluid tank before posting or transporting this unit.
- ◆ Never drink fog liquid. If it is ingested, call a doctor immediately. If fog liquid comes in contact with skin or eyes, rinse thoroughly with water.

Note: Pay attention to all warning labels and instructions printed on the exterior of your ANTARI Fog Machine

■ ***Unpacking & Inspection***

Open the shipping carton and verify that all equipment necessary to operate the system has arrived intact.

The shipping carton should contain the following items:

4. One unit of Antari WiFi-800 Fog Machine
5. Power cord
3. User Manual

If any equipment is missing contact your ANTARI dealer immediately.

Before beginning your initial setup on ANTARI WiFi-800 Fog Machine, make sure that there is no evident damage caused by transportation. In the event that the unit's housing or cable is damaged, do not plug it in and do not attempt to use it until after contacting your ANTARI dealer for assistance.

■ **Setting Up**

Step 1: Place the machine on a flat surface and in a suitable large area with at least 50 cm open space around the machine.

Step 2: Fill the fluid tank with Antari approved fluid.

Step 3: Connect the machine to suitable rated power supply. To determine the power requirement for the machine refer to the label on the back of the machine.

Step 4: Turn on the machine and allow it to heat up, while the machine is heating up the LED status light on pushbutton will "Flash Red". Heat up takes approximately 2 minutes. Once the machine has reached operating temperature, the status LED will light "Solid Red". Now the machine is ready for operation.

Step 5: To start making smoke, press the pushbutton located on the handle; release pushbutton to stop.

Step 6: To turn off the machine, put the power switch to the **OFF** position.

■ **App Download**

Downloading the application

Login to the App Store and download the Antari Fog 800 application. It allows you to control the WiFi-800 using your mobile devices with iOS / Android operating systems.

■ **Télécharger l'application**

L'application vous permet de *contrôler la WiFi 800* sur les systèmes d'exploitation iOS et

Android.



- **Connecting mobile devices with iOS / Android to WiFi-800**
- **Connexion d'appareils mobiles iOS / Android avec WiFi-800**

Step 1: On your mobile devices, select Settings > Wi-Fi > list of available Wi-Fi device will be shown.

Pas 1: Sélectionnez **Settings > Wi-Fi** sur vos appareils mobiles.

Step 2: Select WIFI800-0000XXXX (e.g. WIFI800-00001001).

“0000XXXX” is based on the last four digits of the serial number, which is printed on the rear of the machine (near the power cord). It is also the default SSID and password.



Pas 2: Sélectionnez WIFI800-0000XXXX (p. ex. WIFI800-00001001).

“0000XXXX” fondé sur les quatre chiffres derniers du numéro de série situé à l'arrière de l'appareil (à proximité du cordon d'alimentation). La valeur est aussi utilisée comme le nom du réseau (SSID) et le mot de passe.

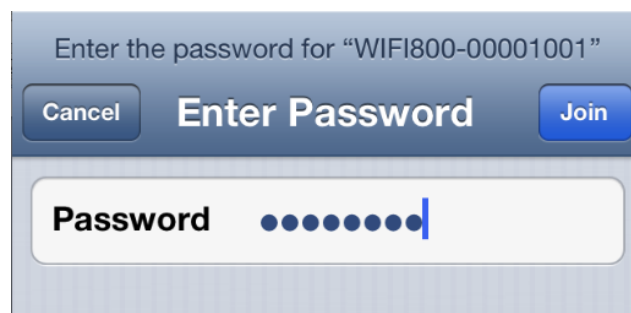
Step 3: A password query is displayed.

The password is an 8-digit number, based on the last four digits of the serial number (e.g. 00001001).

Enter the password to connect to the machine, and wait until the network name is checked.

Pas 3: La demande de mot de passe s'affiche.

Le mot de passe est un numéro à huit chiffres fondé sur les quatre chiffres derniers du numéro de série (p. ex. 00001001). Entrez le mot de passe pour se connecter à la machine et attendez jusqu'à 'ce qu'une coche apparaît devant le nom de réseau (SSID).




■ **Controlling**

The Fog 800 application provides you two ways to control your WiFi-800 fog machine:



Timer Mode – allows you to set the fog duration time. Slide the time bar (from 1 to 60 seconds); press ON to start emitting fog. The fog emission will stop once the timer counts down to zero.

Continuous Mode – simply press the ON button to emit fog. The machine continuously emits fog; to stop press the OFF button.

Note: If the ON button is pressed and the machine cannot emit fog, please make sure the continuous cycle  button is turn on.

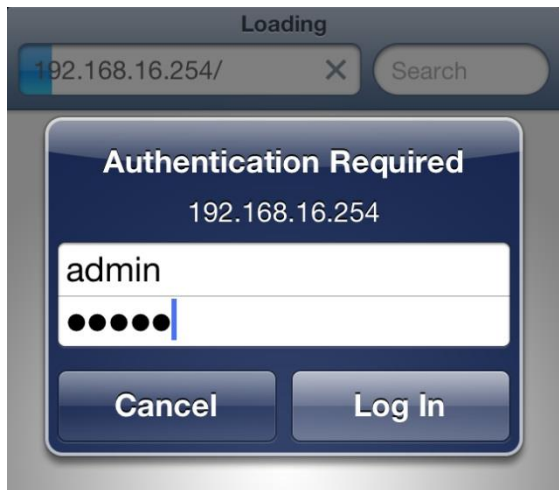
■ **Wi-Fi Advanced Settings**

Wi-Fi settings are intended for users with advanced knowledge only.

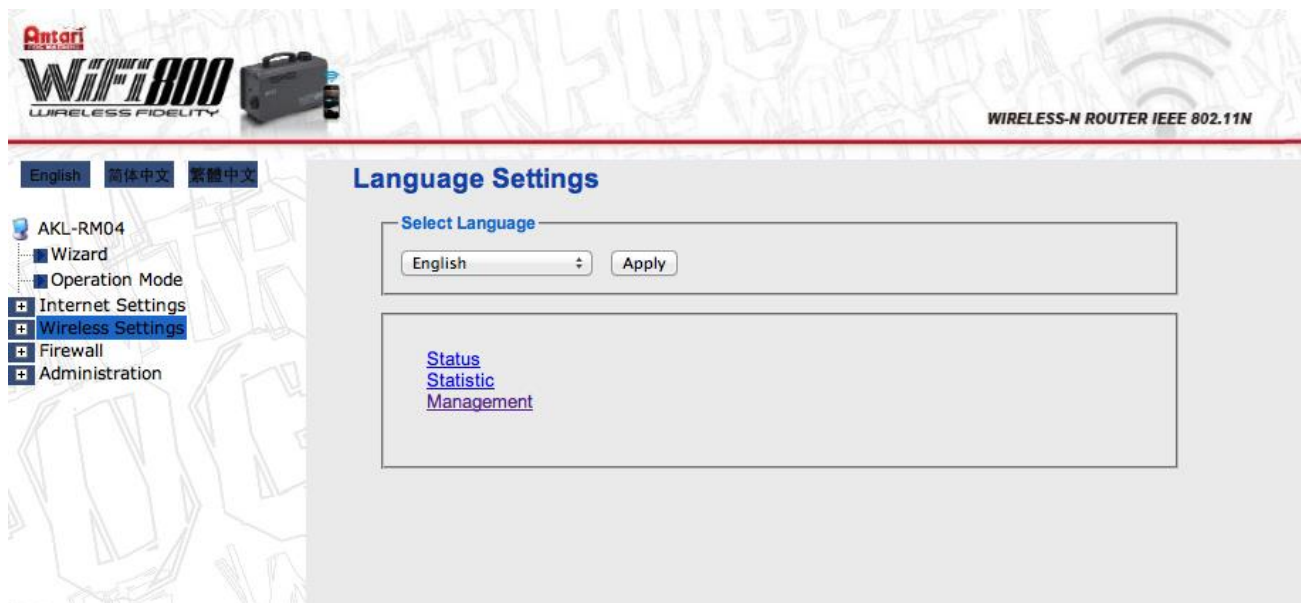
■ **Configuration Wi-Fi avancées**

Configurations Wi-Fi avancées devraient être utilisées seulement par des personnes avec la connaissance experte.

A web-based configuration panel allows you to customize your Wi-Fi settings. To start the configuration, first establish a Wi-Fi connection with the machine, then open a web browser, enter <http://192.168.16.254> and when the login window appears enter the default user name *admin* and password *admin*.



The configuration panel is displayed.



■ **Wireless settings > Basic**

Basic Wireless Settings

You could configure the minimum number of Wireless settings for communication, such as Network Name (SSID) and Channel. The Access Point can be set simply with only the minimum setting items.

| Wireless Network | |
|-------------------------------|--|
| Network Mode | 11b/g/n mixed mode ▼ |
| Network Name(SSID) | WiFi800-00001303 Hidden <input type="checkbox"/> Isolated <input type="checkbox"/> |
| Broadcast Network Name (SSID) | <input checked="" type="radio"/> Enable <input type="radio"/> Disable |
| AP Isolation | <input type="radio"/> Enable <input checked="" type="radio"/> Disable |
| BSSID | 44:33:4C:B6:F1:DC |
| Frequency (Channel) | 2412MHz (Channel 1) ▼ |

- Network Mode** Select one of the following that meets your clients
 11b/g mixed mode
 11b only
 11g only
 11b/g/n mixed mode **default**
 11n only(2.4G)
- Network Name(SSID)** The name of your wireless network, create a name for your wireless network using up to 32 characters.
- Broadcast Network Name(SSID)** Enable is default setting. If Disable is selected, the SSID of the machine will not be seen. The wireless client will have to know the SSID in order to connect to it.
- AP Isolation** Preventing devices connected to AP from communicating directly with each other. Default is set to Disable.
- Frequency (Channel)** Select transmitting frequency.

■ **Wireless Settings > Security**

| Select SSID | |
|----------------------|---|
| SSID choice | WIFI800-00001001 ▾ |
| "WIFI800-00001001" | |
| Security Mode | WPAPSKWPA2PSK ▾ |
| WPA | |
| WPA Algorithms | <input type="radio"/> TKIP <input checked="" type="radio"/> AES <input type="radio"/> TKIPAES |
| Pass Phrase | 00001001 |
| Key Renewal Interval | 3600 seconds (0 ~ 4194303) |

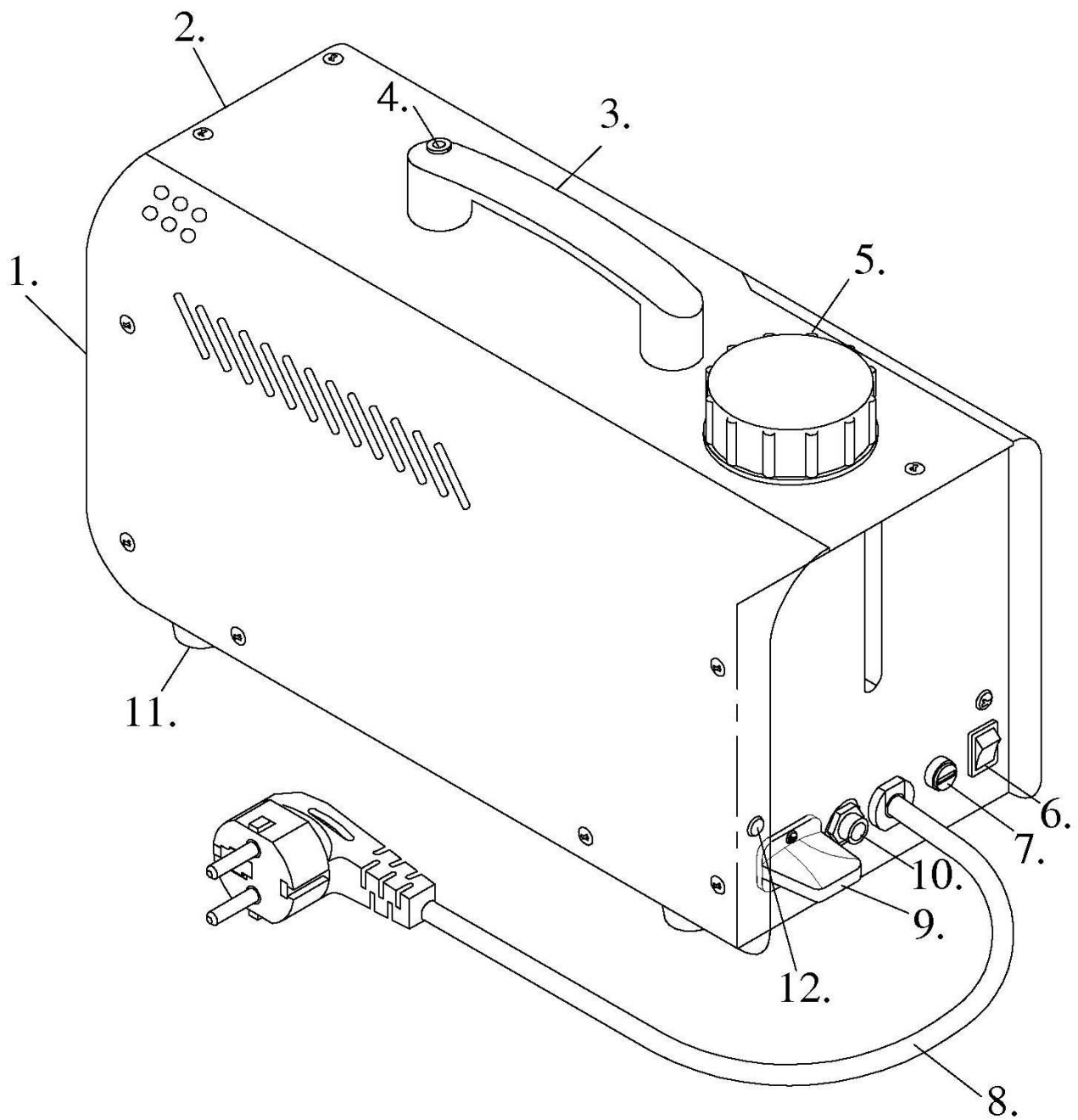
- SSID choice** Select a SSID to start configuration
- Security Mode** Choose one of the following mode for data protection:
 Disable
 OPENWEP
 WPA-PSK
 WPA2-PSK
 WPAPSKWPA2PSK (**default**)
- WPA Algorithms** TKIP
 AES
 TKIPAES
- Pass Phrase** Setup password
- Key Renewal interval** Enter the amount of time before the group key used for broadcast and multicast data is changed (**3600 is default**)

■ **Administration > Management**

| Adminstrator Settings | |
|-----------------------|-------|
| Account | admin |
| Password | ***** |

- Account** Change login account name (**default is admin**)
- Password** Change login password (**default is admin**)

- | | |
|--------------------------|---------------------------|
| 1. Nozzle | 7. Fuse holder |
| 2. Body | 8. Power cord |
| 3. Handle | 9. Antenna |
| 4. Handle push button | 10. Control Outlet Socket |
| 5. Tank cap & tank | 11. Foot |
| 6. Rocker switch / Power | 12. LED |



■ **Technical Specifications**

| | |
|-----------------------------|---|
| Model | WiFi-800 |
| Power Supply | AC100-120V, AC 220-240V / 50HZ - 60HZ |
| Power Consumption | 800 W |
| Output Volume | 3000 Cubic Feet / Min |
| Tank Capacity | 0.8 Liter |
| Fluid Consumption | 60 Min. / 0.8 Liter |
| Weight | 4.1 kg |
| Dimensions (LxWxH) | 315 x 128 x 220 mm |
| Optional Controllers | Z-10 On/Off Controller, Z-40 Timer Controller, Z-50 Wireless Controller |
| First Heat-up Time | 1.7 min |

■ **Optional Controllers for WiFi-800**

- ◆ **Z-10:** 10 meter wired remote controller with 1/4 inch jack plug. The red light indicates that the unit is receiving power. When the fog machine has reached operating temperature the green light on this remote controller will light up, indicating that the operator may begin fog emission by pressing the red button. The green light flashes during fog machine warm-up and re-heating cycles (approx. 1-2 minutes), and stays ON when the machine becomes operational. The Z-10 features the “toggle switch” function: press once for continuous “ON”, press again to release continuous “ON” function
- ◆ **Z-40:** 10 meter wired remote controller with 1/4 inch jack plug. Its two knobs allow users to customize the duration and interval of fog output time. Press the yellow TIMER-button to activate the timer function. Adjust the interval between each fog emission (within the range of 10 to 250 seconds) by means of the INTERVAL control knob. Adjust the duration of each fog emission (within the range of 10 to 120 seconds) by means of the DURATION control knob. When pressed, the green FOG button overrides all other control functions and activates maximum output.
- ◆ **Z-50:** Wireless remote controller with 1/4 inch jack plug. A remote operation is possible up to a distance of 50 meters in open area. Keep the red button pressed for fogging.

■ Z-10, Z-40, Z-50 Remote Controls

| Z-10 | Z-40 | Z-50 (wireless) |
|--|---|---|
| Cable Length: 10 m Connector: 6,3 mm jack Function: On/Off Toggle Switch | Cable Length: 10 m Connector: 6,3 mm jack Function: Timer with interval and duration; manual On/Off | Cable Length: wireless, up to 50 m Connector: 6,3 mm jack Function: wireless On/Off |
| <p>6,3 mm jack Power indicator (green) On/Off Switch</p> | <p>Duration Interval 6,3 mm jack Timer On/Off FOG Power On/Off</p> | <p>Transmitter Indicator Control Button Cover Hook Receiver Box 6,3 mm jack</p> |

■ Performance Note

- ◆ All fog machines develop condensation around the output nozzle. Because this may result in some moisture accumulation on the surface below the output nozzle, consider this condensation when installing your unit.
- ◆ All fog machines may sputter small amounts of fog occasionally during operation and for a minute or so after being turned off.

■ Maintenance

Do not allow the fog liquid to become contaminated. Always replace the caps on the fog liquid container and the fog machine liquid tank immediately after filling. After every 40 hours of operation, it is recommended to use distilled water to run a cleaning process.

The recommended cleaning regimen is as follows:

4. Empty all fog liquid from the machine. Add distilled water to liquid tank. Plug unit in and begin warm up.
5. Run the unit in a well-ventilated area and run the fog machine briefly. Do not allow the pump to run dry.
6. Cleaning is now completed. Empty the water left inside liquid tank and refill with fog liquid. Run the machine briefly again.

Note:

Cleaning your fog machine regularly can help reduce replacement and repair costs.

After a certain period time of usage, all fog machines tend to clog due to the thick consistency of fog liquid and the high temperature at which it vaporizes. However, a properly maintained fog machine should provide a longer and more reliable life-time.

■ Storage

1. When the machine is not in use, store it in a cool and dry place.
2. It is strongly recommended to test-run the machine on a monthly basis in order to achieve its best condition. A test-run consists of warming up the machine followed by a few minutes of emission. After that, follow Step 1 under Storage.

Please read and save these instructions.



Bedienungsanleitung

*Herzlichen Glückwunsch zum Kauf Ihrer neuen Nebelmaschine
ANTARI WiFi-800.*

■ **Einführung**

Vielen Dank, dass Sie sich für die Antari-Nebelmaschine WiFi-800 entschieden haben. Sie sind nun im Besitz einer robusten und leistungsstarken Nebelmaschine. Vor Benutzung der Maschine bitte unbedingt diese Bedienungsanleitung sorgfältig lesen. Wenn Sie die Hinweise in dieser Bedienungsanleitung beachten, können Sie sich in den nächsten Jahren auf eine zuverlässige und überzeugende Leistung Ihrer Nebelmaschine freuen. Bitte halten Sie sich an diese Bedienungs- und Sicherheitsanweisungen, um eine lange und sichere Lebensdauer Ihrer Nebelmaschine sicherzustellen.



ACHTUNG:

Stromschlaggefahr. Trennen Sie das Gerät vom Netz, bevor Sie Flüssigkeit nachfüllen, sowie vor jeder Reinigung und Wartung.

■ **Stromschlaggefahr**

- Vor Nässe schützen. Nur innerhalb geschlossener Räume betreiben. Nicht für den Betrieb im Freien geeignet.
- Verwenden Sie bitte ausschließlich 3-adrige, geerdete Steckdosen. Vor Inbetriebnahme darauf achten, dass das Gerät an die richtige Spannung angeschlossen wird.
- Vor Befüllen des Tanks ist Ihre Antari-Nebelmaschine immer vom Netz zu trennen.
- Achten Sie darauf, dass die Nebelmaschine stets aufrecht installiert ist.
- Nach dem Betrieb trennen Sie bitte die Maschine vom Netz oder schalten sie aus.
- Diese Maschine ist nicht wassergeschützt. Sollte Feuchtigkeit, Wasser oder Flüssigkeit ins Innere der Maschine gelangen, trennen Sie die Maschine bitte sofort vom Netz und trocknen bzw. reinigen sie. Sollte sich die Maschine nicht reinigen lassen, kontaktieren Sie bitte einen Servicetechniker oder Ihren Antari-Händler bevor Sie die Maschine erneut benutzen.
- Im Innern der Maschine befinden sich keine vom Benutzer zu wartenden Teile. Wenden Sie sich an Ihren autorisierten Fachhändler für Wartungs- und Servicearbeiten.

■ **Brandgefahr**

- Nur für Erwachsene. Die Maschine muss außerhalb der Reichweite von Kindern installiert werden. Betreiben Sie das Gerät niemals unbeaufsichtigt.
- Richten Sie die Austrittsdüse niemals direkt auf Personen.
- Der Ausstoß der Maschine ist sehr heiß. Halten Sie während des Betriebs einen Sicherheitsabstand von ca. 60 cm zur Austrittsdüse ein.
- Betreiben Sie das Gerät in gut belüfteten Räumen, bis der Tank leer ist. Bedecken Sie niemals den Luftaustritt der Maschine. Um eine ausreichende Belüftung zu gewährleisten, halten Sie bitte einen Mindestabstand von etwa 20 cm um und über der Maschine ein.
- Richten Sie die Austrittsdüse niemals auf offene Flammen.
- Wenn die Netzleitung beschädigt wird, muss sie durch den autorisierten Fachhandel ersetzt werden, um Gefährdungen zu vermeiden.
- Lassen Sie die Maschine immer vor Reinigungs- und Wartungsarbeiten abkühlen.

■ **Explosionsgefahr**

- Mischen Sie niemals entzündliche Flüssigkeiten jeglicher Art (Öl, Gas, Duftstoffe) unter die Nebelflüssigkeit.
- Verwenden Sie ausschließlich hochwertige und von Ihrem Händler empfohlene Nebelflüssigkeiten auf Wasserbasis. Andere Nebelflüssigkeiten können zum Verstopfen oder Tropfen des Gerätes führen.
- Achten Sie unbedingt darauf, dass sich immer eine ausreichende Menge Nebelflüssigkeit im Tank befindet. Der Betrieb ohne Nebelflüssigkeit führt zu Pumpenschäden und zur Überhitzung des Heizelementes.
- Sollte Ihre Antari-Nebelmaschine einmal nicht mehr ordnungsgemäß arbeiten, schalten Sie sie bitte sofort ab. Entleeren Sie den Tank vollständig, verpacken Sie die Maschine sorgfältig (am besten in der Originalverpackung) und schicken Sie sie bei Ihrem Antari-Händler ein.
- Entleeren Sie den Tank immer, bevor Sie das Gerät verschicken oder transportieren.
- Trinken Sie niemals Nebelflüssigkeit. Sollte es dennoch einmal verschluckt werden, konsultieren Sie bitte sofort einen Arzt. Sollte die Haut oder die Augen einmal mit Nebelflüssigkeit in Berührung kommen, bitte sorgfältig mit Wasser auswaschen.

Hinweis: Bitte beachten Sie alle auf Ihrer Antari-Maschine angebrachten Warnhinweise und Anweisungen.

■ **Auspacken und Prüfen der Maschine**

Öffnen Sie den Versandkarton und stellen Sie sicher, dass alle Teile, die für den Betrieb des Systems notwendig sind, in einem einwandfreien Zustand eingetroffen sind. Der Versandkarton sollte die folgenden Posten beinhalten:

1. Eine Nebelmaschine WiFi-800
2. Netzkabel
4. Bedienungsanleitung

Wenn Ausrüstungsteile fehlen sollten, nehmen Sie bitte sofort mit Ihrem Antari-Händler Kontakt auf.

Bevor Sie mit der Inbetriebnahme Ihrer Antari-Maschine beginnen, stellen Sie sicher, dass kein offensichtlicher Transportschaden vorliegt. Falls das Gehäuse der Einheit oder das Kabel beschädigt sein sollte, stecken Sie sie nicht in die Steckdose und versuchen Sie nicht, sie zu benutzen, bevor Sie Ihren Antari-Händler kontaktiert haben.

■ **Inbetriebnahme**

Schritt 1: Installieren Sie die Maschine auf einer ebenen Oberfläche und schrauben Sie den Deckel des Flüssigkeitstanks ab. Lassen Sie einen Freiraum von 50 cm um die Maschine.

Schritt 2: Füllen Sie den Tank mit Nebelflüssigkeit.

Schritt 3: Schließen Sie die Maschine ans Netz an.

Schritt 4: Schalten Sie die Maschine ein. Die Aufwärmphase beginnt und die Statusanzeige am Griff blinkt rot auf. Die Aufwärmphase dauert ca. 2 Minuten. Wenn die Maschine die Betriebstemperatur erreicht hat, hört das Blinken der Statusanzeige auf und geht über zu konstantem Leuchten. Die Maschine ist nun betriebsbereit.

Schritt 5: Drücken Sie die Taste am Griff, um den Nebelausstoß auszulösen. Sobald Sie Ihren Finger wieder von der Taste Lösten, wird der Nebelausstoß eingestellt.

Schritt 6: Schalten Sie die Maschine nach dem Betrieb wieder mit dem Netzschalter aus.

■ **App herunterladen**

Laden Sie die App Antari Fog 800 im App Store herunter. Die App dient zur Steuerung der WiFi-800 in Verbindung mit Ihrem mobilen Gerät mit iOS- oder Android-Betriebssystem.



■ **Mobile Geräte mit der WiFi-800 verbinden**

Schritt 1: Wählen Sie auf Ihrem mobilen Gerät: Einstellungen (Settings) > WLAN. Die Liste der verfügbaren WLAN-Geräte wird angezeigt.

Schritt 2: Wählen Sie WIFI800-XXXXXXXX (z. B. WIFI800-00001001).

Die Kennung "XXXXXXXX" ergibt sich aus den letzten vier Ziffern der Seriennummer, die auf der Rückseite der Maschine (in der Nähe des Netzkabels) aufgedruckt ist.

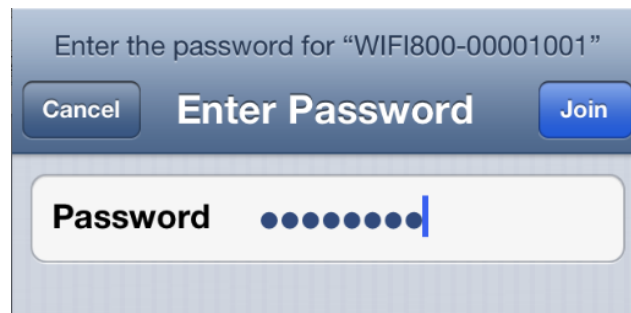
Die Kennung ist ebenfalls die Vorgabe für das SSID und das Passwort.



Schritt 3: Die Passwortabfrage erscheint.

Das Passwort ist die achtstellige Kennung, die sich aus den letzten vier Ziffern der Seriennummer ergibt (z. B. 00001001).

Geben Sie das Passwort ein, um eine Verbindung zur Maschine aufzubauen. Warten Sie, bis der Netzwerkname ein Häkchen bekommt.




■ **Steuerung**

Die App Fog 800 ermöglicht die Steuerung der WiFi-800 auf zwei Arten:



Timer-Betrieb: Bestimmen Sie eine Zeit für die Nebeldauer zwischen 1 und 60 Sekunden. Verstellen Sie dazu die Leiste und drücken Sie ON, um den Nebelausstoß auszulösen. Wenn der Timer auf 0 Sekunden zurückgezählt hat, wird der Nebelausstoß wieder eingestellt.

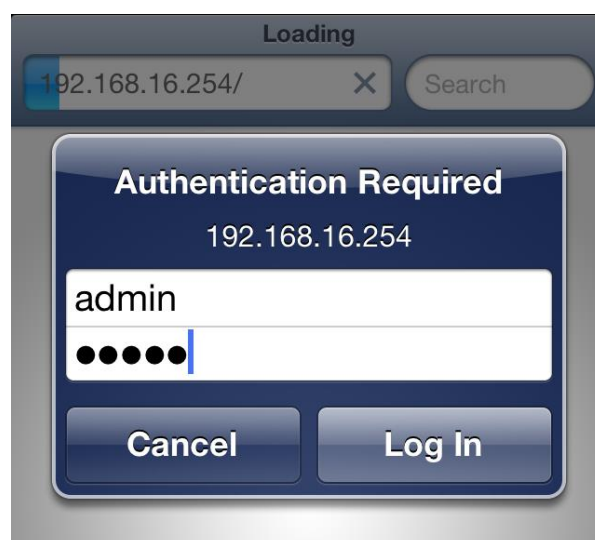
Dauernebel: Drücken Sie einfach auf ON, um den Nebelausstoß auszulösen. Die Maschine produziert nun fortwährend Nebel. Drücken Sie die Taste OFF, um den Nebelausstoß wieder einzustellen.

Hinweis: Produziert die Maschine keinen Nebel, wenn Sie die Taste ON drücken, prüfen Sie, ob die Taste  (Continuous Cycle) aktiviert ist.

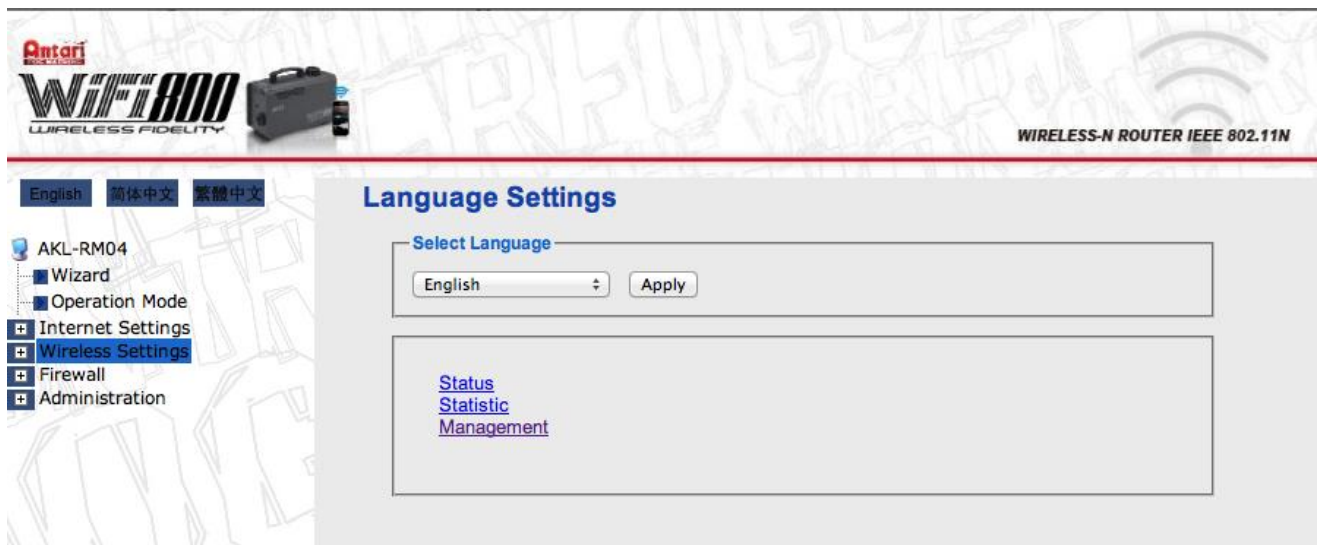
■ **Erweiterte WLAN-Einstellungen**

WLAN-Einstellungen sollten nur Personen mit Fachkenntnissen durchgeführt werden.

Die Maschine verfügt über eine Webschnittstelle, die es Ihnen ermöglicht die WLAN-Einstellungen anzupassen. Zum Aufrufen der Schnittstelle, öffnen Sie Ihren Webbrowser und geben <http://192.168.16.254> ein. Das Login-Fenster mit der Passwortabfrage erscheint. Geben Sie den Benutzernamen **admin** und das Passwort **admin** ein.



Die Webschnittstelle wird angezeigt.



■ Wireless-Einstellungen > Basic



Network Mode

Auswahl:

11b/g mixed mode

11b only

11g only

11b/g/n mixed mode **Vorgabewert**

11n only (2.4G)

Network Name(SSID)

Netzwerkname, Sie können einen beliebigen Namen definierten (32 Zeichen stehen zur Verfügung).

- Broadcast Network Name(SSID)** Enable (aktiviert) ist die Voreinstellung. Wenn Disable (deaktiviert) gewählt wird, wird das SSID der Maschine nicht angezeigt. Der Benutzer muss dann das SSID kennen, um eine Drahtlosverbindung herzustellen.
- AP Isolation** Verhindert, dass Geräte, die mit AP verbunden sind, direct miteinander kommunizieren. Die Voreinstellung ist Disable (deaktiviert).
- Frequency (Channel)** Wahl der Übertragungsfrequenz.

■ **Wireless Settings > Sicherheitseinstellungen**

| Select SSID | |
|----------------------|---|
| SSID choice | WIFI800-00001001 ↕ |
| "WIFI800-00001001" | |
| Security Mode | WPAPSKWPA2PSK ↕ |
| WPA | |
| WPA Algorithms | <input type="radio"/> TKIP <input checked="" type="radio"/> AES <input type="radio"/> TKIPAES |
| Pass Phrase | 00001001 |
| Key Renewal Interval | 3600 seconds (0 ~ 4194303) |

- SSID choice** Wählen Sie ein SSID, um die Konfiguration zu starten
- Security Mode** Wählen Sie eine der folgenden Schutzeinstellungen:
 Disable
 OPENWEP
 WPA-PSK
 WPA2-PSK
 WPAPSKWPA2PSK (**Vorgabewert**)
- WPA Algorithms** TKIP
 AES
 TKIPAES
- Pass Phrase** Setup-Password
- Key Renewal interval** Definieren Sie den Zeitraum, bevor der Group Key

für Übertragung und Multicast von Daten geändert wird (**3600 ist der Vorgabewert**)

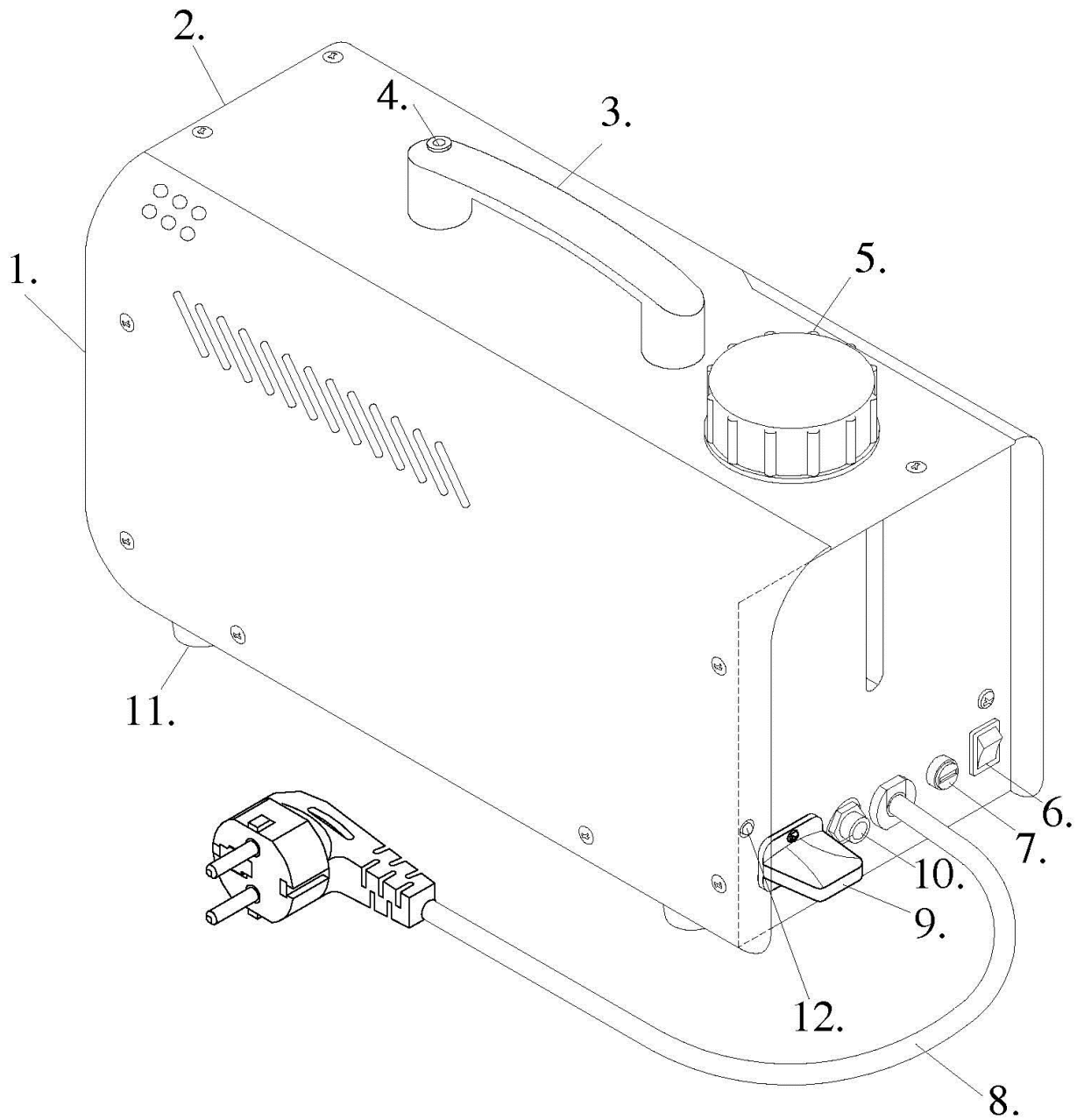
■ **Administration > Management**

| Administrator Settings | |
|------------------------|--|
| Account | <input type="text" value="admin"/> |
| Password | <input type="password" value="*****"/> |

Account Ändern des Login-Accountnamen (**Vorgabewert ist *admin***)

Password Ändern des Login-Passworts (**Vorgabewert ist *admin***)

- | | |
|--------------------------|---------------------------|
| 1. Nozzle | 7. Fuse holder |
| 2. Body | 8. Power cord |
| 3. Handle | 9. Antenna |
| 4. Handle push button | 10. Control Outlet Socket |
| 5. Tank cap & tank | 11. Foot |
| 6. Rocker switch / Power | 12. LED |



■ Technische Daten

| Modell | WiFi-800 |
|------------------------------|--|
| Spannungsversorgung | AC 100-120 V, AC 220-240 V, 50 Hz/60 Hz |
| Gesamtanschlusswert | 800 W |
| Ausstoßvolumen | 85 m ³ /Min. |
| Tankinhalt | 0,8 Liter |
| Fluidverbrauch | 60 Min. / 0,8 Liter |
| Gewicht | 4,1 kg |
| Maße (LxBxH) | 315 x 128 x 220 mm |
| Fernbedienungen (Zubehör) | Z-10 On/Off Controller, Z-40 Timer Controller, Z-50 Wireless Controller |
| Aufwärmzeit | 17 Min. |

■ Zubehörfernbedienungen Z-10, Z-40, Z-50

| Z-10 | Z-40 | Z-50 (wireless) |
|--|---|---|
| Cable Length: 10 m Connector: 6,3 mm jack Function: On/Off Toggle Switch | Cable Length: 10 m Connector: 6,3 mm jack Function: Timer with interval and duration; manual On/Off | Cable Length: wireless, up to 50 m Connector: 6,3 mm jack Function: wireless On/Off |
| | | |

■ Hinweise zur Leistung

Alle Nebelmaschinen bilden um die Austrittsdüse Kondenswasser. Beachten Sie bitte bei der Installation, dass dies zu Flüssigkeitsansammlungen unterhalb der Austrittsdüse führen kann.

Alle Nebelmaschinen können während des Betriebs oder kurz nachdem dem Ausschalten noch geringfügig Nebel ausstoßen.

Alle Nebelmaschinen benötigen nach längerem Dauerbetrieb Betriebspausen, um wieder auf die korrekte Betriebstemperatur zu kommen. Während diesen Pausen ist kein Nebelausstoß möglich.

■ **Reinigung und Wartung**

Achten Sie darauf, dass die Nebelflüssigkeit nicht verunreinigt wird. Setzen Sie sofort nach Befüllen des Tanks den Deckel des Tanks sowie des Kanister wieder auf. Reinigen Sie Ihr Nebelgerät regelmäßig, um hohe Kosten für Ersatzteile und Reparaturen zu vermeiden. Nach 40 Betriebsstunden wird empfohlen, das Heizelement mit destilliertem Wasser zu reinigen.

1. Füllen Sie destilliertes Wasser in den sauberen Tank und stecken Sie den Flüssigkeitsschlauch in den Tank.
2. Betreiben Sie das Gerät in gut belüfteten Räumen, bis der Tank fast leer ist.
3. Reinigen Sie die Maschine mit einem trockenen Tuch. Die Reinigung ist damit abgeschlossen. Füllen Sie den Tank wieder mit Nebelflüssigkeit. Betreiben Sie kurz die Maschine um die Pumpe und die Heizung von der Reinigungslösung zu säubern.

Hinweis: Alle Nebelmaschinen sind aufgrund der Dickflüssigkeit der Nebelflüssigkeit und der hohen Verdampfungstemperatur anfällig für Verstopfungen. Nichtsdestotrotz sollte eine regelmäßig gewartete Nebelmaschine Ihnen jahrelang treue Dienste leisten.

■ **Lagerung**

Reinigen Sie die Maschine vor jeder Lagerung. Lagern Sie die Maschine kühl und trocken. Betreiben Sie die Maschine mindestens einmal im Monat. Wir empfehlen Ihnen monatlich an der Maschine einen Testlauf durchzuführen, der aus einer Aufwärmzeit besteht und einigen Minuten Nebelausstoß.

Bitte bewahren Sie diese Anleitung gut auf.



Antari WiFi800 煙霧機

感謝您選用 **Antari** 煙霧機產品，現在您已經擁有高科技的專業煙霧機，在開始使用之前，我們建議您先仔細閱讀本說明書，遵循使用手冊中的說明，這會有助於您在使用 **Antari** 煙霧機時得心應手，達到最滿意的煙霧效果，對於機器的使用壽命也更為延長。



特別注意：

請在連結電源之前，先填裝好煙霧油，器使用完畢及搬運前，請先確認清空煙霧油桶。

■ 避免觸電的安全使用方式:

- ◆ 請保持機器乾燥，僅於室內使用，本產品非為室外使用所設計。
- ◆ 使用前請小心判定電壓級數，伏特及機型，當使用所有電壓規格的機種請應配合三向接地型插座使用。
- ◆ 填充煙霧油至油桶前，請先拔掉插頭。
- ◆ 請保持機器橫放，勿傾斜放置。
- ◆ 不使用時請關機，長時間不使用時請拔掉插頭。
- ◆ 本產品之設計為不防水，遇潮濕或浸水或煙霧油滲出時請即刻拔掉插頭並擦乾，在下次使用前，聯絡技術人員或 **Antari** 的代理商檢修。
- ◆ 本包裝中未附服務零件，敬請聯繫 **Antari** 代理商，或洽詢合格技術人員。

■ 避免燃燒的安全使用方式:

- ◆ 機器內部並無一般使用者可變動之結構，請勿任意打開上蓋及作任何更改的動作，否則可能造成起火的危險！
- ◆ 機器僅限成人使用，安裝煙霧機之地點應避免兒童可處及之出，請於外出離去時確實關閉電源。
- ◆ 請勿將機器噴嘴對著人體及動物直射。
- ◆ 煙霧機所產生的煙霧溫度較高，機器運作時，請遠離噴嘴 50CM 以上。
- ◆ 請將煙霧機放置於通風良好的地方，請勿遮蓋機器散熱部分，為確保適度通風，機器的上方及周圍請預留 20CM 空間。
- ◆ 請勿將機器噴嘴對準火焰。
- ◆ 當機器運作時，噴嘴輸出部分之溫度高達攝氏 200 度，請將任何物品放置離機器 50CM。
- ◆ 清潔、從事維護及收納機器時，請先確認機器已經完全冷卻。

■ 避免爆炸的安全使用方式:

- ◆ 請勿將任何可燃性液體(例如油脂, 瓦斯, 香水) · 放置於煙霧油槽中，並請使用前詳細閱讀說明書。
- ◆ 請使用代理商所推薦的 **Antari** 高品質 FLR / FLG 水性煙霧油，任意使用其他煙霧油產品，可能導致堵管現象甚至造成內部零件腐蝕。
- ◆ 請確認煙霧油槽中有足夠的煙霧油，以免造成煙霧機幫浦空轉過熱。

- ◆ 若您的 **Antari** 機器有任何不當運轉情況時，請即刻停止使用，倒出煙霧油，機器冷卻後，仔細包好本產品(建議以原包裝) 送至代理商或經銷商處維修。
 - ◆ 請記得在運送或郵寄本產品前，確定完全傾倒出所有在油桶中的煙霧油。
 - ◆ 煙霧油不能飲用，誤飲時，如有任何不適請立即就醫，若不甚接觸眼睛，請即刻以水清洗。
- 建議:** 在使用本機器之前，詳細的閱讀一次印刷在機器上蓋板及後背板的警語標示。

■ 拆除包裝及檢視機器

請打開包裝確認機器運作的所有設備齊全，請參考配置圖，確認您所購買的機型應包括之項目，倘若有缺少任何項目，請即刻聯絡 **Antari** 經銷商。 機器出廠時應包含以下物件:

1. 機器 一部
2. 電源線一條
3. 使用說明書一份

在開始安裝機器之前，請先確認本產品未因運送過程造成外部的損壞，若機器外殼、控制器或電源線有任何損壞，請勿插上插頭，並請勿使用，馬上與 **Antari** 代理商或經銷商聯繫。

■ 安裝設置

步驟 1：將機器放置在平坦的表面上，並且在機器四周保留至少要有 50 公分的空曠空間。

步驟 2：將 **Antari** 指定的煙霧油注入機器油箱。

步驟 3：將本機連接到合適的額定電源。機器功率要求資訊，請參閱機器背面的技

術標籤。

步驟 4：打開機器開關，進行加溫，此時手把按鈕上的 LED 狀態指示燈會“閃紅燈”。溫機的時間需要約 2 分鐘。一旦機器達到工作溫度，狀態指示燈將亮起“紅色常亮”。表示機器為準備完成。

步驟 5：開始噴煙動作，按下手把上的按鈕釋放按鈕來停止。

步驟 6：關閉機器時，把電源開關置於 OFF 位置。

■ 程式下載

登入 App Store 下載 Antari Fog 800 應用程式, 這個程式可經由你的 iPhone 或 iPad 來

操控 WiFi-800



■ 將 iPhone/iPad 連結到 Wifi 800

步驟 1. 進入到你的 iPhone/ iPad 的設定選單 > 選取 Wi-Fi > 系統會列出所有可用的

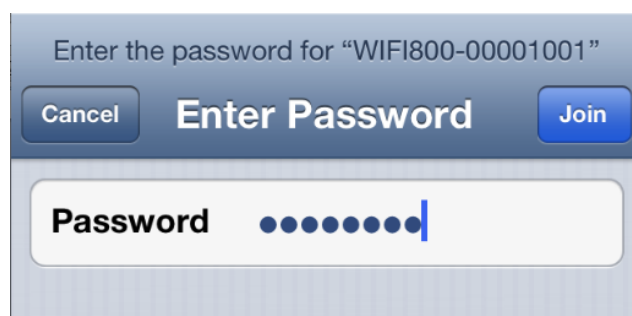
Wi-Fi 裝置

步驟 2. 選擇 WiFi800-XXXXXXXX, “XXXXXXXX” 所顯示出的機器序列號碼, 這同時也是

SSID 的系統預設值和密碼



步驟 3. 輸入密碼以連結機器，並等待直到網路名稱顯示打勾即完成連結




■ 控制

Fog 800 應用程式提供兩個方式來控制你的 WiFi 800 型煙霧機



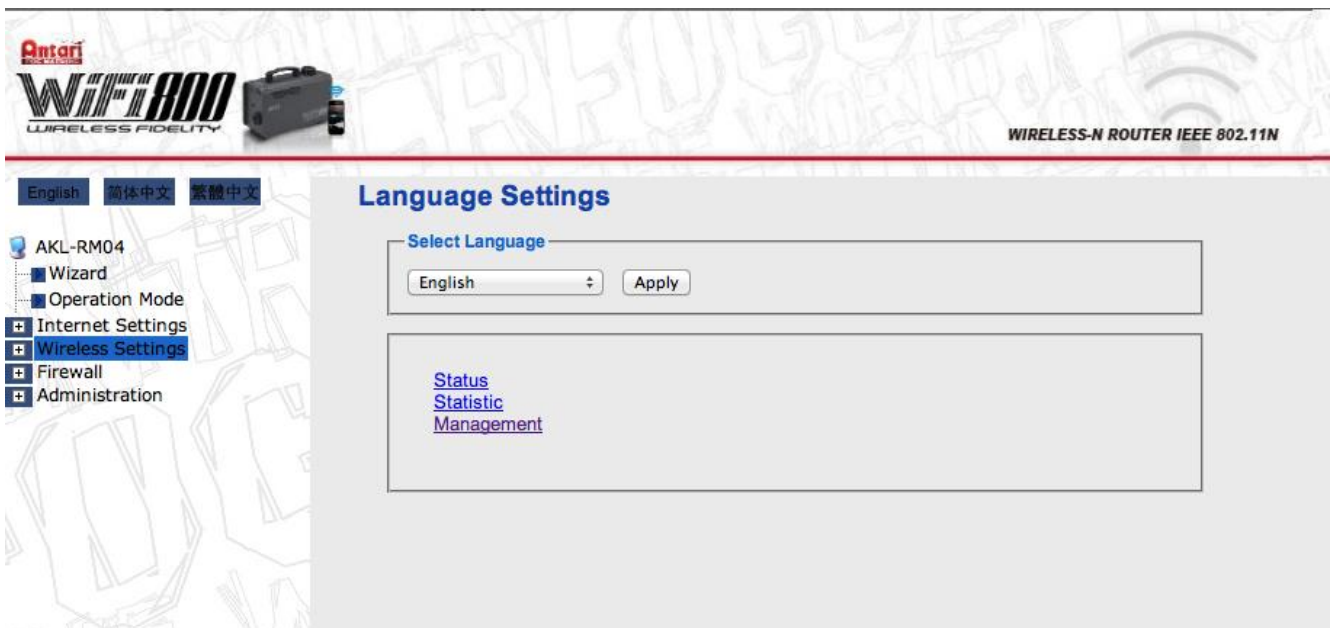
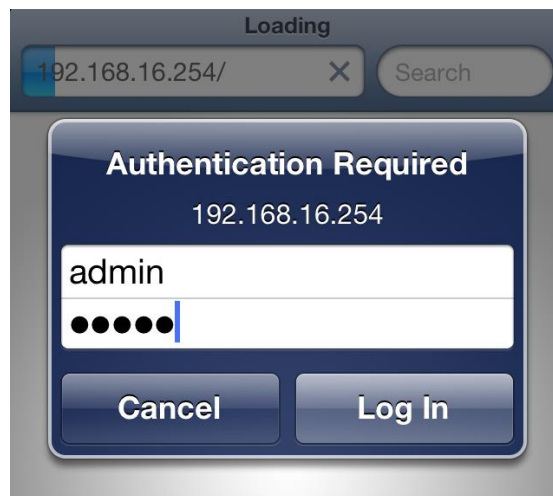
定時模式 - 可以設定煙霧持續輸出時間, 滑動時間桿, (從 1 到 60 秒) 按壓 ON 開始輸出煙霧. 時間開始倒數, 煙霧將停止於結束倒數直到 0.

連續噴煙模式 - 按壓螢幕上 ON 按鍵, 機器將持續不斷的輸出煙霧, 如果希望結束, 只要按壓螢幕上的 OFF 鍵

注意: 如果按壓了 ON 的按鍵, 機器無法噴煙, 請確認螢幕上的機器持續輸出循環鈕  是啟動的

■ Wi-Fi 進階設定

透過網頁設定介面，使您可以自定義 Wi-Fi 模組的相關設置。開始設置前請確認已和機器完成連結，然後打開一個網頁瀏覽器，輸入 <http://192.168.16.254>，當出現登錄窗口輸入確認用戶名 admin 和密碼 admin



■ 無線設定 > 基本設定

| Wireless Network | |
|-------------------------------|--|
| Driver Version | 2.6.0.1 |
| Radio On/Off | <input type="button" value="RADIO ON"/> |
| WiFi On/Off | <input type="button" value="WiFi ON"/> |
| Network Mode | 11b/g/n mixed mode ▾ |
| Network Name(SSID) | WIFI800-00001001 Hidden <input type="checkbox"/> Isolated <input type="checkbox"/> |
| Broadcast Network Name (SSID) | <input checked="" type="radio"/> Enable <input type="radio"/> Disable |
| AP Isolation | <input type="radio"/> Enable <input checked="" type="radio"/> Disable |
| BSSID | 48:02:2A:00:08:4C |
| Frequency (Channel) | 2412MHz (Channel 1) ▾ |

無線訊號 無線訊號 ON 或 OFF

On 為系統預設值

Off

WiFi WiFi 訊號 ON 或 OFF

On 為系統預設值

Off

網路模式 選擇下列一個客戶端相容的模式

11b/g mixed mode

11b only

11g only

11b/g/n mixed mode (系統預設值)

11n only(2.4G)

網路名稱

設定一個無線網路名稱以便使用, 最高可以使用到 32 個字元.

廣播網域名稱 (SSID)

此功能預設值是開啟的, 如果停用此功能,則無法搜尋到該網路.使用者需要知道該網路名稱才能連結.

無線接入點阻隔

預防無線接入點直接與其他裝置溝通,此功能預設關閉

頻率 (頻道)

選擇發送頻率

■ 無線設定 > 安全性

| Select SSID | |
|----------------------|---|
| SSID choice | WIFI800-00001001 ▾ |
| "WIFI800-00001001" | |
| Security Mode | WPAPSKWPA2PSK ▾ |
| WPA | |
| WPA Algorithms | <input type="radio"/> TKIP <input checked="" type="radio"/> AES <input type="radio"/> TKIPAES |
| Pass Phrase | 00001001 |
| Key Renewal Interval | 3600 seconds (0 ~ 4194303) |

選擇網路

選擇網路名稱進行設定

加密模式

選擇一個加密模式：

Disable

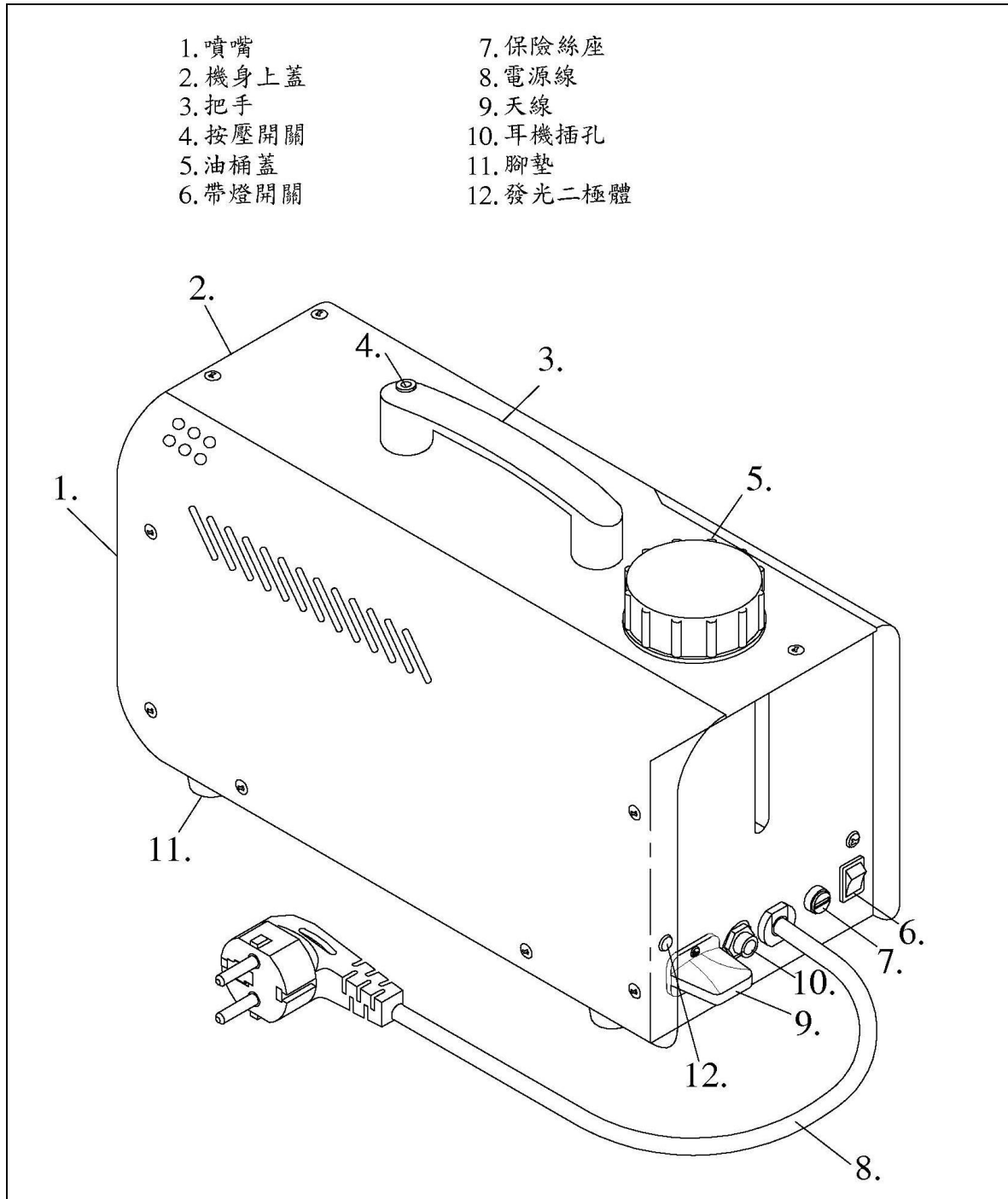
| | |
|----------|-----------------------------|
| | OPENWEP |
| | WPA-PSK |
| | WPA2-PSK |
| | WPAPSKWPA2PSK (系統預設值) |
| WPA 加密模式 | TKIP |
| | AES |
| | TKIPAES |
| 密碼設定 | 設定密碼 |
| 金鑰更新時間 | 設定資料傳輸值金鑰更新時間 (預設值為 3600) |

■ 系統設置 > 管理

| Administrator Settings | |
|------------------------|--|
| Account | <input type="text" value="admin"/> |
| Password | <input type="password" value="*****"/> |


帳戶名 修改用戶名稱 (預設值 admin)

密碼 更改登錄密碼 (預設值 admin)



備註：

(4-手把燈)：慢閃表示加熱，恆亮表示加熱完成，快閃表示機器過熱此時請檢修後再行使用

(12- LED)：(一)WiFi800 與手機連上線時紅燈將會亮起，若無亮起請檢查手機是否有 WiFi 

連線符號。

(二)噴煙啟動時會亮**橘色燈**。

亮紅燈但機器無法噴煙：請檢查上面設定第 8、9 點是否設定正確

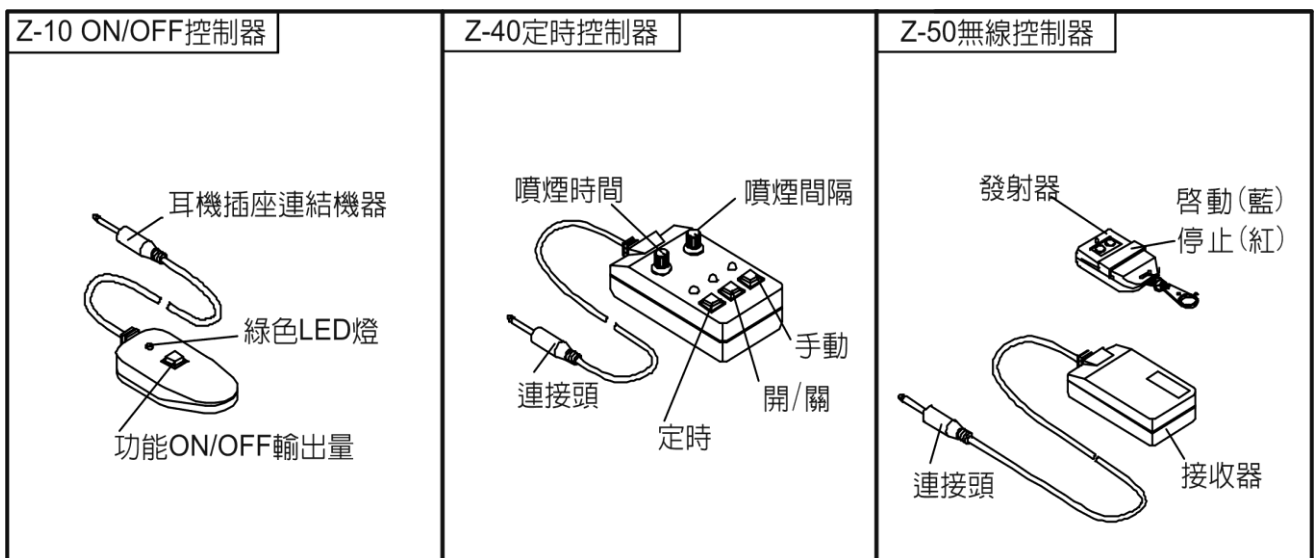
■ WiFi800 控制器 (選配)

Z - 10 On/Off 控制器：10M 長電線含 6.3mm 耳機 插頭控制器，綠色燈閃亮時顯示控制器

正在接收電源，當煙霧機到達運轉溫度時，控制器上的綠燈會持續亮，停止閃動，顯示可以按紅色按鈕讓煙霧機開始噴煙，當綠燈開使閃動表示煙霧機處於重新暖機狀態，重新熱機循環約 45-60 秒，並在綠燈亮時機器可以開始運轉

Z - 40 定時控制器：10M 長電線及 6.3mm 耳機插頭控制器，使用時，只要按下紅色電源 Power 按鈕，即可啟動遙控功能，其兩個旋鈕可自由調整噴霧時間與間隔的設定，若按黃色定時按鈕便可啟動定時功能調整噴煙時間間隔 (介於 10 秒至 250 秒) 只要按 Intervl 及調整噴煙時間長短按 Duration (介於 10 秒到 120 秒之間) 即可，當按住此控制鈕時，綠色 Fog 按鈕會超越其他功能，並且達到 100%的輸出量。

Z - 50 無線遙控：具 6.3mm 耳機插頭的無線遙控器，遙控距離可達 50M。



其他注意事項

1. 煙霧機在使用一段時間後，噴嘴附近會有一些灰色沉澱物質，是因為液體經過熱交換而產生的自然現象，只要將它擦乾淨即可，如發現噴嘴附近有黑色濃稠的沉澱物時，請檢視所用的煙霧油，是否為成分不良品，並請停止使用，以維護機器使用壽命。
2. 所有的煙霧機可能因為使用不同煙霧油之濃度及長期加熱高溫蒸發造成阻塞，使用好品質的煙霧油，定期的清潔保養，可使機器保持良好運轉。擦拭機器時請使用乾布，機器不用時需放置於陰涼、通風處。
3. 若機器運轉時已無任何煙霧油，仍強制啟動機器運轉可能會造成機器永久損壞。倘若發生煙霧量過少、機器運轉時產生噪音或無法順暢噴煙的動作，請立即拔掉插頭，檢查是否有足夠的煙霧油、外部保險絲、控制器連結、電源等處，若以上皆無問題，再插上插頭，若持續無法正常運作，請檢查連結煙霧油桶的管子是否通暢，有無液體流通，若無法辨識原因，請勿繼續讓機器運轉，以免損壞機器，應即關機冷卻，並將機器送至 **Antari** 代理商或指定的服務處檢視，請勿自行拆卸。

■ 維護保養您的煙霧機

請定期的清潔您的煙霧機，將可有效的協助您降低零件更換率或維修的費用。

請勿污染煙霧油，隨時蓋上油桶的瓶蓋，及煙霧機上所裝置煙霧油桶的蓋子。

在運轉機器 40 小時使用後，可以用蒸餾水做保養，可以清潔長時間加熱而累積在電熱管中的沉澱物質，建議方法如下：

1. 拔掉機器插座，冷機時鬆開機器前方之噴嘴，清理噴嘴中殘餘碎屑，直到確認管中未被阻塞。
2. 倒出機器中的煙霧油，在油桶中加入蒸餾水，插上插頭暖機。
3. 在通風良好處，讓機器運轉一段時間。
4. 清潔完畢用乾布完全擦拭乾淨機器後再注入煙霧油。在機器不使用需收起來之前請先清潔機器並確定將油桶清空，並拆下控制器與電源線收好，整套機器與配件請存放於乾燥陰涼處，每月固定溫機一次，可保護機器較不受潮。

■ WiFi-800 數據規格

| | |
|------------------|---------------------------------------|
| 型號 | WiFi-800 |
| 適用電源供應 | AC100-120V, AC 220-240V / 50HZ - 60HZ |
| 瓦數 | 800W |
| 輸出功率 (立方英尺/ 每分鐘) | 3,000cu.ft/min |
| 煙霧油桶容量 (公升) | 0.8 Liter |
| 耗油量 (每分鐘/ 公升) | 60 Min./ 0.8 Liter |
| 重量 | 4.1 Kg |
| 尺寸 (mm) | L315 W128 H220 |
| 選擇性配備 | Z-10 ON/OFF 控制器、Z-40 定時控制器、Z-50 無線控制器 |
| 溫機時間 | 1.7 min |

請妥善保存此份操作說明書



WIFI 800
WIRELESS FIDELITY

Not just wireless but mobile.

This is world's 1st SmartPhone controlled fog machine : Antari WiFi800 .



WiFi800
WIRELESS FIDELITY



For current product information visit Antari at: www.antari.com
For information requests please contact us at: sales@antari.com



C08WF8002

www.antari.com