



W-508 / W-510 Fog Machine User Manual



CONFORMS TO
ANSI/UL STD. 609
CERTIFIED TO
UL CAN/CSA STD.
C22.2 NO.64

Intertek
9700333



RoHS



English · Français · Deutsch · 中文

© 2014 Antari Lighting and Effects Ltd.

English Deutsch Français 中文
▼ ▼ ▼ ▼
Page>01 Page>11 Page>22 Page>32



User Manual

W-508 & W-510 Fog Machine

Congratulations on the purchase of your new
ANTARI W-Series FOG MACHINE.

Introduction

Thank you for choosing an Antari W-Series Fog Machine. You now own a rugged and powerful state-of-the-art machine. Prior to use, we suggest that you carefully read all of the instructions. By following the suggestions found in this user manual, you can look forward to the reliable and satisfactory performance of your Antari Fog Machine for years to come.

Please follow these operation, safety and maintenance instructions to ensure a long and safe life for your fog machine.



CAUTION

Risk of Electric Shock. Disconnect the appliance from the electric supply before refilling liquid, cleaning or performing maintenance on the machine.

Danger of Electric Shock

- Keep this device dry.
- For inside use only. Not designed for outside use.
- For all models, use a 3-prong grounded electrical outlet only. Prior to use take care to determine that the unit is installed at the rated voltage.
- Always unplug your Antari W-Series Fog Machine before filling its tank.
- Always keep the fog machine in upright position.
- Turn off or unplug the machine when not in use.
- This machine is not water-proof. If moisture, water, or fog fluid gets inside the housing, immediately unplug the unit and contact a service technician or your Antari dealer before using it again.
- No user serviceable parts inside. Refer to your Antari dealer or other qualified service personnel.



Danger of Burns

- This device is for adult use only and must be installed out of the reach of children. Never leave the unit running unattended.
- Never aim the output nozzle directly at people.
- Fog machine output is very hot. Avoid coming within 50 cm of the output nozzle during operation.
- Locate the fog machine in a well-ventilated area. Never cover the unit's vents. In order to guarantee adequate ventilation, allow a free air space of at least 20 cm around the sides and top of the unit.
- Never aim the output nozzle at open flames.
- If the power cord is damaged, it must be replaced by the manufacturer or its service agent or similarly qualified personnel in order to avoid a hazard.
- The output nozzle becomes very hot during operation (200°C). Keep flammable materials at least 50 cm away from the nozzle.
- Always allow your Antari Fog Machine to cool down before attempting to clean or service it.



Danger of Explosion

- Never add flammable liquids of any kind (such as oil, gas, perfume) to the fog liquid.
- Use only high-quality, water-based fog liquid that your dealer recommends. Other fog liquids may cause clogging or "spitting".
- Always make sure there is sufficient liquid in the tank. Operating this unit without liquid will cause damage to the pump as well as over-heating of the heater.
- If your Antari W-508 or W-510 Fog Machine fails to work properly, discontinue use immediately. Drain all fog liquid from the tank, pack the unit securely (preferably in the original packing material), and return it to your Antari dealer for service.
- Always drain the tank before shipping or transporting this unit.
- Never drink fog liquid. If it is ingested, call a doctor immediately. If fog liquid comes in contact with skin or eyes, rinse thoroughly with water.

Note: Pay attention to all warning labels and instructions printed on the exterior of your Antari Fog Machine.

Unpacking & Inspection

Open the shipping carton and verify that all equipment necessary to operate the system has arrived intact.

The shipping carton should contain the following items:

1. One unit of W-508 or W-510 Fog Machine
2. Power cord
3. One set of W-1 Transmitter

- 4. User manual
- 5. Mounting bracket with washers/screws (optional for W-510)

If any equipment is missing contact your ANTARI dealer immediately.

Before beginning your initial setup on the Antari W-508 or W-510 Fog Machine, make sure that there is no evident damage caused by transportation. In the event that the unit's housing or cable is damaged, do not plug it in and do not attempt to use it until after contacting your Antari dealer for assistance.

Setup

- Remove all packing materials from the shipping box. Check that all foam and plastic padding is removed, especially in the nozzle area.
- Place the fog machine on a flat surface and remove the fog liquid tank cap.
- Place the liquid tube into a properly filled liquid tank.
- Fill with high-quality, water-based fog liquid recommended by your Antari dealer. The W-508 & W-510 only work with uncontaminated Antari FLR or FLG Fog Liquid. Any other types of liquid can damage the unit and result in spitting and serious clogging problems. When filled, place the cap back on liquid the tank. Be careful not to exceed the maximum fluid level. DO NOT OVERFILL.

Operation

Add fluid carefully to the liquid tank. Do not overfill the tank.

- Plug the power cord into a grounded electrical outlet. Turn the power switch to "ON" on the back of the machine. The warm-up process is started. While the unit is warming up, fog output will not be possible yet. When the warm-up process is completed, the red LED on the handle of the W-508 or the green LED on the rear of the W-510 will be flashing and stay on.
- Now please refer to chapter "Wireless Remote W-1" for setting the remote controller.

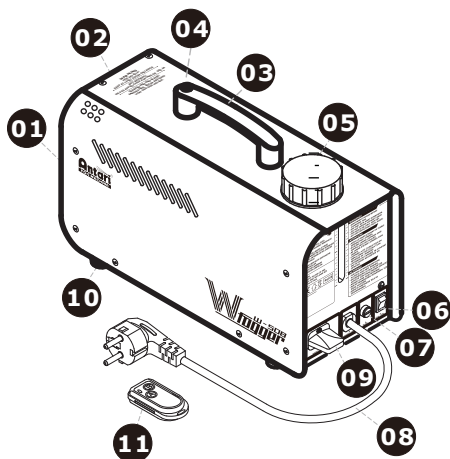
Important:

- Always monitor tank fluid level as you are fogging.
- Never drink fog liquid. If it is ingested, call a doctor immediately. If fog liquid comes in contact with skin or eyes, rinse thoroughly with water.
- Always replace the cap on the fog liquid container immediately after filling to avoid contamination.

W-510: If your model includes a mounting bracket it can be suspended overhead. It is important that the fog does not shoot directly at anyone's face. Do not allow the unit to have more than a 25 degree angle of inclination.

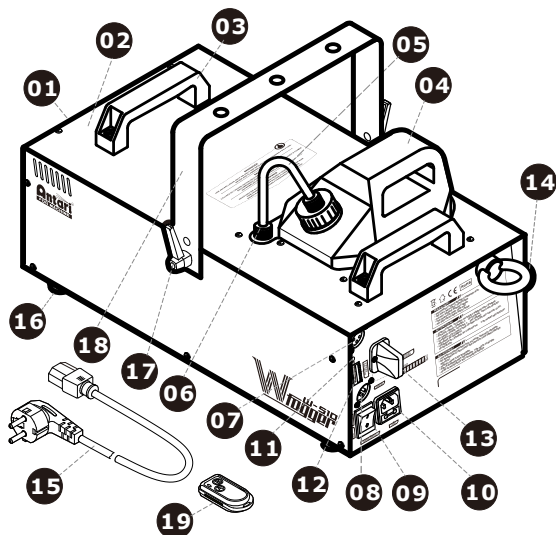
W-508 External View

- 01-Nozzle
- 02-Body
- 03-Handle
- 04-Handle push button
- 05-Tank cap & tank
- 06-Rocker switch / Power
- 07-Fuse holder
- 08-Power cord
- 09-Wireless receiver
- 10-Foot
- 11-W-1 wireless controller



W-510 External View

- 01-Nozzle
- 02-Body
- 03-Handle
- 04-Tank & tank's cap
- 05-PU tube & filter
- 06-Tube adaptor
- 07-Control outlet socket
(3 Pin XLR for DMX)
- 08-Control inlet socket
(3 Pin XLR for DMX)
- 09-Rocker switch / Power
- 10-Power inlet socket &
fuseholder
(120VAC 250V/T10A)
(230VAC 250V/T5A)
- 11-Power lamp
- 12-DIP switch
- 13-Wireless receiver
- 14-Safety ring
- 15-Power cord
- 16-Foot
- 17-Tightening screw
- 18-Hanging bracket
- 19-W-1 Wireless controller



Note: An optoelectronic (OPTO) liquid sensor is installed in the W-508 & W-510 Fog Machine. The pump will automatically stop working and the LED indicator on the rear of the machine will start to flash when there is insufficient liquid. Please refill liquid to the empty tank and restart (turn off then turn on) to disengage the LED indicator. Then the machine is ready to operate again.

If you experience low output, pump noise or no output at all, unplug immediately. Check the fluid level, the external fuse, and power from the wall. If all of the above appears to be O.K., plug the unit again. If fog does not come out after holding the remote button down for 30 seconds, check the hose attached to the tank to make sure there is fluid going through the hose. If you are unable to determine the cause of the problem, do not simply continue pushing the remote button, as this may damage the unit. Return the machine to your Antari dealer.

W-1 Wireless Remote

The wireless remote control system W-1 consists of a transmitter equipped with two buttons for fog on and off, and a receiver pre-attached to the rear panel of each W-series model.

* Transmitter:



With the transmitter it is possible to emit fog via radio over a distance of up to 50 meters. The transmitter is compatible to any receiver of the W-series and can control an unlimited number of machines in parallel.

Press the button "A", to emit fog. As control, the blue LED lights. To stop the fog output, press the button "B".

*** Receiver:**

The receiver is tested and pre-attached to the rear panel of each W-series model. Please do not try to remove it. The receiver responds to up to 5 different transmitters that are registered with the machine. The included transmitter has been registered with the machine before shipment. It can be directly operated without any start-up setting.

Registering transmitters

To operate the machine with a different transmitter than the included one, or to operate it with up to 5 different transmitters, each transmitter must be registered first. There is an LED indicator on each machine. On the W-508 it is green and on the W-510 it is orange. When the machine is turned on, the LED will be flashing for 15 seconds. During the 15-second interval, users can register signals for one or more transmitters. For this purpose, press the button "A" on each transmitter. If the registering signals of the transmitters are well received by the receiver, the LED will stop flashing and light permanently. The previous transmitters are cleared from the memory of the receiver. If no transmitter is registered when the machine is switched on, the memory of the receiver will keep the record of the previous operation.

Setting Example 1:

In order to register several transmitters with a machine, turn on the machine. While the LED is flashing, press the button "A" on each transmitter to establish the signal transmission.

Setting Example 2:

In order to use 1 transmitter to control 2 or more machines, turn on the machines at the same time. While the LEDs are flashing, press the button "A" on the transmitter to establish the signal transmission.

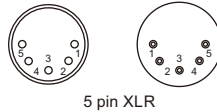
Battery change on the transmitter

If the range of the transmitter decreases, the battery is probably exhausted

and must be replaced. For this purpose, take off the housing cover and remove the used battery. Insert a fresh 12 V battery, type 23A as indicated in the battery compartment and refit the housing cover.

DMX Connector Pin Assignment

W-510 provide 5 pin XLR connector for DMX connection. Diagram below indicate pin assignment information



5 pin XLR

Pin	Function
1	Ground
2	Data -
3	Data +

W-510 DMX512 Fog Machine Settings

Channel A



0 - 5 = off (no output)

6 - 255 = maximum volume (100 % output)

Model W-510 has on-board DMX control, model W-508 does not. Addressing is via DIP switches. W-510 uses 1 channel to control on/off operation. The channel has a value range of 0 to 255. The on/off function can also be programmed with a DMX controller or a DMX control software used by the lighting and effects operator.

If channel A has a value from 0 to 5, the unit is off.

Between the values 6 to 255 the machine has a maximum output volume of 100 %.

Note: If, for example, the machine is assigned to the DMX address 130, channel A corresponds to DMX address 130.

Addressing

Each machine occupies 1 channel. To ensure that the control signals are properly directed to the machine, it requires addressing. If several machines are used, each machine must be addressed by changing the DIP switches as set out in the table below.

The starting address is defined as the first channel from which the machine will respond to the controller.

Please make sure that you do not have any overlapping channels in order to control each machine correctly and independently from any other fixture on the DMX data link. If two, three or more devices are addressed similarly, they will work similarly.

Occupation of the DIP switches:

Setting the DMX-starting address:	DIP-switch no.	1	2	3	4	5	6	7	8	9
Device number & channels	Starting address	1	2	4	8	16	32	64	128	256
Device 1 - Channel 1	ON	▲								
	OFF		▼	▼	▼	▼	▼	▼	▼	▼
Device 2 - Channel 2	ON		▲							
	OFF	▼		▼	▼	▼	▼	▼	▼	▼
Device 3 - Channel 3	ON	▲	▲							
	OFF			▼	▼	▼	▼	▼	▼	▼
Device 4 - Channel 4	ON			▲						
	OFF	▼	▼		▼	▼	▼	▼	▼	▼
Device 5 - Channel 5	ON	▲		▲						
	OFF		▼		▼	▼	▼	▼	▼	▼

Performance Note

All fog machines develop condensation around the output nozzle. Because this may result in some moisture accumulation on the surface below the output nozzle, consider this condensation when installing your unit.

All fog machines may sputter small amounts of fog occasionally during operation and for a minute or so after being turned off.

All fog machines have a recycling period after long bursts when the machine will shut itself down for a short period in order to heat up again. During this time no fog can be produced.

Cleaning and Storage

Do not allow the fog liquid to become contaminated. Always replace the cap on the fog liquid container and the fog machine liquid tank immediately after filling. Cleaning your fog machine regularly can help you to reduce the frequency of parts replacement and maintenance costs. After every 40 hours of continuous operation, it is recommended to use distilled water to clean the heater according to the steps below.

The recommended cleaning regimen is as follows:

1. Fill properly distilled water into a clean tank and connect the fluid tube of the fog machine to the tank.
2. Run the unit in a well-ventilated area until the tank is almost empty.
3. Use dry cloth to wipe the fog machine. Cleaning is now complete. Refill with fog liquid. Run the machine briefly to clear any remaining liquid from the pump and heater.

Note: All fog machines are prone to clogging due to the thick consistency of fog liquid and the high temperature at which it vaporizes. However, a properly maintained fog machine should provide years of reliable use.

Clean with a dry cloth only. Store dry.

If the fog machine is not in use, please clean it before storage. Store the fog machine in a dry and cool place. Operate the fog machine at least once a month. A test-run consists of warming-up the machine followed by a few minutes of fog emission.

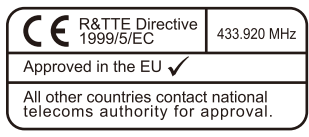
Technical Specifications

Model	W-508	W-510
Power Supply	100~240V AC 50/60 Hz	100~240V AC 50/60 Hz
Power Consumption	800 W	1,000 W
Output Volume	3,000 cu.ft./min (85 m ³ /min)	10,000cu.ft./min (284 m ³ /min)
Tank Capacity	0.8 liters	2.8 liters
Fluid Consumption	60 min /0.8 liter	13 min / liter
Weight	3.8 kg	11.4 kg
Dimensions (LxWxH)	315 x 128 x 166 (mm)	468 x 250 x 148 (mm)
Remote Included	W-1	W-1
Warm-up Time	100 seconds	12min

Approval

This product is in accordance with the R&TTE directive (Radio and Telecommunication Technical Equipment) of the European Union and falls into equipment Class 1. In all EU member countries, the operation of this wireless

system is generally approved by the national telecom regulatory authority. The system is license-free. In some countries outside the EU, the operation of this wireless system may need to be approved by the national telecoms regulatory authority.



Warranty

Warranty shall be valid only if the product is purchased from Antari's authorized distributors or dealers. For warranty service, send the product only to an authorized distributor or dealer.

All warranties are void if the product has been modified in any manner; if the product has been repaired or serviced by unauthorized personnel; or the product is damaged due to improper use or maintenance as set forth in the instruction manual.

This is not a service contract and does not include standard maintenance or cleaning. All expendables are not covered by this warranty.

Additional warranties provided at the discretion of the distributor dealers shall remain the sole obligation of the distributor or dealer.

Always quote the unit's serial number and model name when contacting your distributor for information or assistance.



Bedienungsanleitung W-508 & W-510 Nebelmaschine

Herzlichen Glückwunsch zum Kauf Ihrer neuen
Antari-Nebelmaschine W-Serie.

Einführung

Vielen Dank, dass Sie sich für eine Antari-Nebelmaschine der W-Serie entschieden haben. Sie sind nun im Besitz einer robusten und leistungsstarken Nebelmaschine. Vor Benutzung der Maschine bitte unbedingt diese Bedienungsanleitung sorgfältig lesen. Wenn Sie die Hinweise in dieser Bedienungsanleitung beachten, können Sie sich in den nächsten Jahren auf eine zuverlässige und überzeugende Leistung Ihrer Antari-Nebelmaschine freuen.

Bitte halten Sie sich an diese Bedienungs- und Sicherheitsanweisungen, um eine lange und sichere Lebensdauer Ihrer Nebelmaschine sicherzustellen.



ACHTUNG:

Stromschlaggefahr. Trennen Sie das Gerät vom Netz, bevor Sie Flüssigkeit nachfüllen, sowie vor jeder Reinigung und Wartung.

Stromschlaggefahr

- o Vor Nässe schützen.
- o Nur innerhalb geschlossener Räume betreiben. Nicht für den Betrieb im Freien geeignet.
- o Verwenden Sie bitte ausschließlich 3-adrige, geerdete Steckdosen. Vor Inbetriebnahme darauf achten, dass das Gerät an die richtige Spannung angeschlossen wird.
- o „X Vor Befüllen des Tanks ist Ihre Antari-Nebelmaschine immer vom Netz zu trennen.
- o „X Achten Sie darauf, dass die Nebelmaschine stets aufrecht installiert ist.
- o „X Nach dem Betrieb trennen Sie bitte die Maschine vom Netz oder schalten sie aus.
- o „X Diese Maschine ist wassergeschützt. Sollte Feuchtigkeit, Wasser oder Flüssigkeit ins Innere der Maschine gelangen, trennen Sie die Maschine bitte sofort vom Netz und trocknen bzw. reinigen sie. Sollte sich die Maschine nicht reinigen lassen, kontaktieren Sie bitte einen Servicetechniker oder Ihren

Antari-Händler bevor Sie die Maschine erneut benutzen.

- Im Innern der Maschine befinden sich keine vom Benutzer zu wartenden Teile. Wenden Sie sich an Ihren autorisierten Fachhändler für Wartungs- und Servicearbeiten.

Stromschlaggefahr

- Nur für Erwachsene. Die Maschine muss außerhalb der Reichweite von Kindern installiert werden. Betreiben Sie das Gerät niemals unbeaufsichtigt.
- Richten Sie die Austrittsdüse niemals direkt auf Personen.
- Der Ausstoß der Maschine ist sehr heiß. Halten Sie während des Betriebs einen Sicherheitsabstand von ca. 50 cm zur Austrittsdüse ein.
- Betreiben Sie das Gerät in gut belüfteten Räumen, bis der Tank leer ist. Bedecken Sie niemals den Luftaustritt der Maschine. Um eine ausreichende Belüftung zu gewährleisten, halten Sie bitte einen Mindestabstand von etwa 20 cm um und über der Maschine ein.
- Richten Sie die Austrittsdüse niemals auf offene Flammen.
- Wenn die Netzleitung beschädigt wird, muss sie durch den autorisierten Fachhandel ersetzt werden, um Gefährdungen zu vermeiden.
- Die Austrittsdüse wird während des Betriebs sehr heiß (200° C). Für leicht entflammbare Materialien muss ein Mindestabstand von 50 cm zur Austrittsdüse eingehalten werden.
- Lassen Sie die Maschine immer vor Reinigungs- und Wartungsarbeiten abkühlen.

Explosionsgefahr

- Mischen Sie niemals entzündliche Flüssigkeiten jeglicher Art (Öl, Gas, Duftstoffe) unter die Nebelflüssigkeit.
- Verwenden Sie ausschließlich hochwertige und von Ihrem Händler empfohlene Nebelflüssigkeiten auf Wasserbasis. Andere Nebelflüssigkeiten können zum Verstopfen oder Tropfen des Gerätes führen.
- Achten Sie unbedingt darauf, dass sich immer eine ausreichende Menge Nebelflüssigkeit im Tank befindet. Der Betrieb ohne Nebelflüssigkeit führt zu Pumpenschäden und zur Überhitzung des Heizelementes.
- Sollte Ihre Antari-Nebelmaschine einmal nicht mehr ordnungsgemäß arbeiten, schalten Sie sie bitte sofort ab. Entleeren Sie den Tank vollständig, verpacken Sie die Maschine sorgfältig (am besten in der Originalverpackung) und schicken Sie sie bei Ihrem Antari-Händler ein.
- Entleeren Sie den Tank immer, bevor Sie das Gerät verschicken oder transportieren.
Trinken Sie niemals Nebelflüssigkeit. Sollte es dennoch einmal verschluckt werden, konsultieren Sie bitte sofort einen Arzt. Sollte die Haut oder die Augen einmal mit Nebelflüssigkeit in Berührung kommen, bitte sorgfältig mit Wasser auswaschen.

Hinweis: Bitte beachten Sie alle auf Ihrer Antari-Maschine angebrachten

Warnhinweise und Anweisungen.

Auspacken und Prüfen der Maschine

Öffnen Sie den Versandkarton und stellen Sie sicher, dass alle Teile, die für den Betrieb des Systems notwendig sind, in einem einwandfreien Zustand eingetroffen sind.

Der Versandkarton sollte die folgenden Posten beinhalten:

1. Eine Nebelmaschine W-508 oder W-510
2. Netzkabel
3. Eine W-1 Sendeeinheit
4. Bedienungsanleitung
5. Montagebügel mit Schrauben und Unterlegscheiben (optional für W-510)

Wenn Ausrüstungsteile fehlen sollten, nehmen Sie bitte sofort mit Ihrem Antari-Händler Kontakt auf.

Bevor Sie mit der Inbetriebnahme Ihrer Antari-Maschine beginnen, stellen Sie sicher, dass kein offensichtlicher Transportschaden vorliegt. Falls das Gehäuse der Einheit oder das Kabel beschädigt sein sollte, stecken Sie sie nicht in die Steckdose und versuchen Sie nicht, sie zu benutzen, bevor Sie Ihren Antari-Händler kontaktiert haben.

Inbetriebnahme

- Entfernen Sie jegliches Verpackungsmaterial vom Versandkarton. Vergewissern Sie sich, dass alle Schaumstoff- und Plastikeinlagen entfernt werden, insbesondere in der Nähe der Austrittsdüse.
- Installieren Sie die Nebelmaschine auf einer ebenen Oberfläche und schrauben Sie den Deckel des Flüssigkeitstanks ab.
- Stecken Sie den Flüssigkeitsschlauch in einen ordnungsgemäß gefüllten Flüssigkeitstank.
- Füllen Sie den Tank mit den Antari-Nebelflüssigkeiten FLR oder FLG oder anderen hochwertigen Nebelflüssigkeiten auf Wasserbasis, die von Ihrem Händler empfohlen wurden. Alle anderen Nebelflüssigkeiten können Beschädigungen am Gerät zur Folge haben. Nach dem Befüllen verschließen Sie den Tank bitte wieder mit dem Deckel. Achten Sie darauf, den Tank nicht zu überfüllen. NICHT ÜBERFÜLLEN.

Bedienung

Füllen Sie vorsichtig Flüssigkeit in den Tank. NICHT ÜBERFÜLLEN.

Stellen Sie den Netzschalter auf der Rückseite des Geräts auf "ON". Daraufhin beginnt die Aufheizphase. Während der Aufheizphase kann noch kein Nebel ausgestoßen werden. Die Aufheizzeit ist beendet, sobald die rote LED am Griff

der W-508 bzw. die grüne LED auf der Rückseite der W-510 blinkt und weiterhin aufleuchtet.
Bitte lesen Sie nun das Kapitel "W1 Funkfernbedienung", um die Funkfernbedienung einzurichten.

Wichtig:

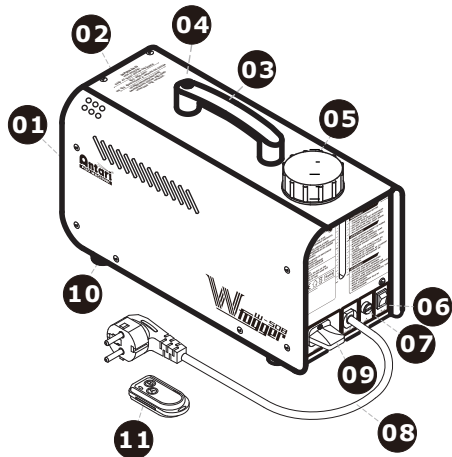
Während des Betriebs immer auf den Flüssigkeitsstand im Tank achten. Trinken Sie niemals Nebelflüssigkeit. Sollte es dennoch einmal verschluckt werden, konsultieren Sie bitte sofort einen Arzt. Sollte die Haut oder die Augen einmal mit Nebelflüssigkeit in Berührung kommen, bitte sorgfältig mit Wasser auswaschen.

Setzen Sie sofort nach Befüllen des Tanks den Deckel des Tanks sowie des Kanisters wieder auf.

W-510: Wenn Ihr Modell über einen Montagebügel verfügt, kann es hängend installiert werden. Achten Sie bitte darauf, dass der Nebel niemals direkt in das Gesicht einer Person ausgestoßen wird und dass der Neigungswinkel niemals 25 Grad überschreitet.

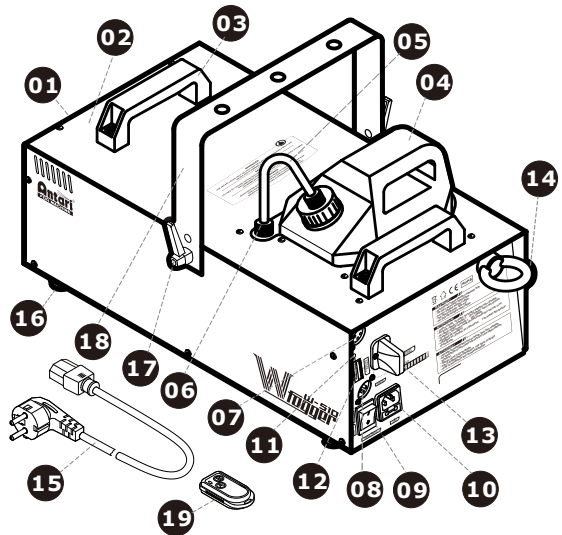
W-508 Bedienelemente

- 01- Düse
- 02- Gehäuse
- 03- Griff
- 04- Griff-Taste mit Indikator
- 05- Tankverschluss & Tank
- 06- Netzschalter
- 07- Sicherungshalter
- 08- Netzkabel
- 09- Funkempfänger
- 10- Fuß
- 11- W-1 Funkfernbedienung



W-510 Bedienelemente

- 01- Düse
- 02- Gehäuse
- 03- Griff
- 04- Tankverschluss & Tank
- 05- PU-Schlauch & Filter
- 06- Schlauchadapter
- 07- DMX-Ausgang
(3-pol. XLR)
- 08- DMX-Eingang
(3-pol. XLR)
- 09- Netzschalter
- 10- Netzanschluss &
Sicherungshalter
(120VAC 250V/T10A)
(230VAC 250V/T5A)
- 11- Betriebsanzeige
- 12- DIP-Schalter
- 13- Funkempfänger
- 14- Fangseilöse
- 15- Netzkabel
- 16- Fuß
- 17- Feststellschraube
- 18- Hängebügel (optional)
- 19- W-1 Funkfernbedienung



Hinweis: Die Modelle W-508 & W-510 besitzen einen optoelektronischen Flüssigkeitssensor. Die Pumpe stellt automatisch den Betrieb ein und der LED-Indikator auf der Rückseite der Maschine beginnt zu blinken, wenn die Nebelflüssigkeit nicht ausreichend ist. Bitte befüllen Sie in diesem Fall den leeren Tank und schalten Sie die Maschine aus und wieder ein, um den LED-Indikator auszuschalten. Die Maschine ist jetzt wieder betriebsbereit.

Sollten Sie einen verminderten Ausstoß, Pumpperäusche oder überhaupt keinen Ausstoß feststellen, sofort die Maschine vom Netz trennen. Kontrollieren Sie den Flüssigkeitsstand, die externe Sicherung, den Anschluß zur Fernbedienung und die Stromversorgung. Sollte nach 30 Sekunden permanenten Drückens des Fernbedienungsknopfes immer noch kein Ausstoß erfolgen, überprüfen Sie bitte den Verbindungsschlauch zum Tank und vergewissern Sie sich, dass Nebelflüssigkeit hindurch fließen kann. Wenn Sie die Ursache des Problems nicht feststellen können, drücken Sie bitte nicht weiter die Fernbedienungstaste, da dies zu Schäden am Gerät führen kann. Schicken Sie das Gerät bei Ihrem Antari-Händler ein.

W-1 Funkfernbedienung

Das Funkfernsteuersystem W-1 besteht aus einer Sendeeinheit mit zwei Tasten für den Nebelausstoß und einer Empfängereinheit, die an jedem Modell der W-Serie vorinstalliert ist.

* **Sendeeinheit:**



Mit der Sendeeinheit lässt sich der Nebelausstoß per Funkübertragung über eine Distanz von bis zu 50 Metern auslösen. Die Sendeeinheit ist kompatibel zu allen Empfängern der W-Serie und kann eine unbegrenzte Anzahl von Maschinen parallel steuern.

Drücken Sie die Taste "A", um den Nebelausstoß auszulösen. Die blaue Kontroll-LED leuchtet. Um den Nebelausstoß zu stoppen, drücken Sie erneut die Taste "B".

* **Empfänger:**

Der Empfänger wurde getestet und an den Maschinen der W-Serie vorinstalliert. Versuchen Sie nicht, den Empfänger zu entfernen. Der Empfänger kann von bis zu 5 Sendeeinheiten gesteuert werden, die auf die Maschine adressiert sind. Die mitgelieferte Sendeeinheit ist vor der Auslieferung adressiert worden. Sie erfordert keine Konfiguration und kann sofort verwendet werden.



Sendeeinheiten adressieren

Um eine andere Sendeeinheit als die mitgelieferte zur Steuerung der Maschine zu verwenden oder um die Maschine mit bis zu 5 verschiedenen Sendeeinheiten zu steuern, muss jede Sendeeinheit zuvor adressiert werden. An den Maschinen befindet sich ein LED-Indikator. An der W-508 ist er grün, an der W-510 ist er orange. Die LED blinkt 15 Sekunden lang nach dem Einschalten der Maschine. Währenddessen können Sendeeinheiten adressiert werden. Drücken Sie dazu die Taste "A" an jeder Sendeeinheit. Empfängt der Empfänger ordnungsgemäß das Adressierungssignal der Sendeeinheiten, hört die LED auf zu blinken und leuchtet dauerhaft. Alle vorher adressierten Sendeeinheiten werden aus dem Speicher des Empfängers gelöscht. Wird keine neue Sendeeinheit nach dem Einschalten der Nebelmaschine adressiert, bleibt die Einstellung aus dem vorhergehenden Betrieb im Empfänger erhalten.

Adressierungsbeispiel 1:

Sollen mehrere Sendeeinheiten auf eine Maschine adressiert werden, schalten Sie die Maschine ein. Drücken Sie die Taste "A" an jeder Sendeeinheit während die grüne (W-508) oder die orangefarbene (W-510) LED blinkt, um die Steuerverbindung herzustellen.

Adressierungsbeispiel 2:

Soll eine Sendeeinheit zur Steuerung von zwei oder mehr Maschinen verwendet werden, müssen die Maschinen gleichzeitig eingeschaltet werden. Drücken Sie die Taste "A" an der Sendeeinheit während die grünen (W-508) oder die orangefarbenen (W-510) LEDs blinken, um die Steuerverbindung herzustellen.

-Batteriewechsel an der Sendeeinheit

Lässt die Reichweite der Sendeeinheit nach, ist wahrscheinlich die Batterie verbraucht und muss ausgewechselt werden. Lösen Sie dazu die Gehäuseabdeckung und entfernen Sie die verbrauchte Batterie. Legen Sie eine frische 12-V-Batterie Typ 23A wie im Batteriefach angegeben ein und bringen Sie die Gehäuseabdeckung wieder an.

-Configuration de la connexion DMX

La machine (W-510) possède fiches 5 pôles pour connecter un contrôleur DMX. Le graphique ci-dessous montre la configuration des fiches.



5 pin XLR

Contact	Fonction
1	Masse
2	Signal-
3	Signal+

W-510 DMX512-Einstellungen

Kanal A



0 - 5 = aus (kein Ausstoß)

6 - 255 = maximaler Ausstoß (100 %)

Das Modell W-510 verfügt über DMX-Ansteuerung, das Modell W-508 nicht. Die Maschine wird mit den DIP-Schaltern adressiert. Die W-510 kann über einen Steuerkanal an- und ausgeschaltet werden. Der Kanal bewegt sich innerhalb der DMX-Werte 0 bis 255. Das Ein- und Ausschalten kann auch mit einem DMX-Controller oder mit der DMX-Steuerungssoftware programmiert werden.

Zwischen den Werten 0 und 5 von Steuerkanal A ist die Maschine aus.

Zwischen den Werten 6 bis 255 besitzt die Maschine ein maximales Ausstoßvolumen von 100 %.

Hinweis: Wird das Gerät zum Beispiel auf die DMX-Startadresse 130 kodiert, entspricht Kanal A genau dieser DMX-Startadresse.

Adressierung der Maschine

Die Maschine belegt 1 Steuerkanal. Damit die Steuersignale richtig an die Maschine adressiert werden, muss diese Maschine kodiert werden. Werden mehrere Maschinen verwendet, muss die Kodierung an jeder Maschine einzeln durchgeführt werden, indem Sie die DIP-Schalter entsprechend untenstehender Tabelle einstellen.

Die Startadresse ist der erste Kanal, auf den die Maschine auf Signale vom Controller reagiert.

Bitte vergewissern Sie sich, dass sich der Steuerkanal nicht mit anderen

Geräten überlappt, damit die Nebelmaschine korrekt und unabhängig von anderen Geräten in der DMX-Verbindung funktioniert. Werden mehrere Maschinen auf eine Adresse definiert, arbeiten sie synchron.

Belegung der DIP-Schalter:

Einstellen der DMX-Startadresse:	DIP-Schalter Nr.	1	2	3	4	5	6	7	8	9
Gerätenummer & Kanäle	Startadresse	1	2	4	8	16	32	64	128	256
Gerät 1 - Kanal 1	ON	▲								
	OFF		▼	▼	▼	▼	▼	▼	▼	▼
Gerät 2 - Kanal 2	ON		▲							
	OFF	▼		▼	▼	▼	▼	▼	▼	▼
Gerät 3 - Kanal 3	ON	▲	▲							
	OFF				▼	▼	▼	▼	▼	▼
Gerät 4 - Kanal 4	ON			▲						
	OFF	▼	▼		▼	▼	▼	▼	▼	▼
Gerät 5 - Kanal 5	ON	▲		▲						
	OFF		▼		▼	▼	▼	▼	▼	▼

Hinweise zur Leistung

Alle Nebelmaschinen bilden um die Austrittsdüse Kondenswasser. Beachten Sie bitte bei der Installation, dass dies zu Flüssigkeitsansammlungen unterhalb der Austrittsdüse führen kann.

Alle Nebelmaschinen können während des Betriebs oder kurz nachdem dem Ausschalten noch geringfügig Nebel ausstoßen.

Alle Nebelmaschinen benötigen nach längerem Dauerbetrieb Betriebspausen, um wieder auf die korrekte Betriebstemperatur zu kommen. Während diesen Pausen ist kein Nebelausstoß möglich.

Reinigung und Wartung

Achten Sie darauf, dass die Nebelflüssigkeit nicht verunreinigt wird. Setzen Sie sofort nach Befüllen des Tanks den Deckel des Tanks sowie des Kanister wieder auf. Reinigen Sie Ihr Nebelgerät regelmäßig, um hohe Kosten für Ersatzteile und Reparaturen zu vermeiden. Nach 40 Betriebsstunden wird empfohlen, das Heizelement mit destilliertem Wasser zu reinigen.

Bitte gehen Sie wie folgt vor:

1. Füllen Sie destilliertes Wasser in den sauberen Tank und stecken Sie den Flüssigkeitsschlauch in den Tank.
2. Betreiben Sie das Gerät in gut belüfteten Räumen, bis der Tank fast leer ist.

3. Reinigen Sie die Maschine mit einem trockenen Tuch. Die Reinigung ist damit abgeschlossen. Füllen Sie den Tank wieder mit Nebelflüssigkeit. Betreiben Sie kurz die Maschine um die Pumpe und die Heizung von der Reinigungslösung zu säubern.

Hinweis: Alle Nebelmaschinen sind aufgrund der Dickflüssigkeit der Nebelflüssigkeit und der hohen Verdampfungstemperatur anfällig für Verstopfungen. Nichtsdestotrotz sollte eine regelmäßig gewartete Nebelmaschine Ihnen jahrelang treue Dienste leisten.

Reinigen Sie das Gerät nur mit einem trockenen Tuch. Trocken lagern.

Reinigen Sie die Maschine vor jeder Lagerung. Lagern Sie die Maschine kühl und trocken. Betreiben Sie die Maschine mindestens einmal im Monat. Wir empfehlen Ihnen monatlich an der Maschine einen Testlauf durchzuführen, der aus einer Aufwärmzeit besteht und einigen Minuten Nebelausstoß.

Technische Daten

Model	W-508	W-510
Spannungsversorgung	100~240V AC 50/60 Hz	100~240V AC 50/60 Hz
Gesamtanschlusswert	800 W	1,000 W
Ausstoßvolumen	ca. 85 m ³ /Min.	ca. 283 m ³ /Min.
Tankinhalt	0,8 Liter	2,8 Liter
Fluidverbrauch	3,7 Min./0,8 Liter	13 Min./Liter
Aufwärmzeit	100 Sekunden	12 Min.
Gewicht	3,8 kg	11,4 kg
Maße (LxBxH)	315 x 128 x 166 (mm)	468 x 250 x 148 (mm)
Mitgelieferte Fernbedienung	W-1	W-1
Trägerfrequenz	UHF 433,920 MHz	UHF 433,920 MHz
Batterie	12 V, Typ 23A	12 V, Typ 23A
Reichweite	ca. 50 m	ca. 50 m

Zulassung

Dieses Produkt entspricht der R&TTE-Richtlinie (Radio and Telecommunication Technical Equipment) der Europäischen Union und der Geräteklasse 1. Das Produkt besitzt eine Allgemein-zuteilung in den Staaten der Europäischen Union und ist anmelde- und gebührenfrei. Für den Betrieb in einem anderen Land außerhalb der EU kann es notwendig sein, eine Zulassung bei den nationalen Behörden zu beantragen.



Garantiebestimmungen

Es gilt die gesetzliche Regelung. Antari Lighting and Effect Ltd. gewährt für alle in der Europäischen Union erworbenen und betriebenen Geräte eine Garantiezeit von 2 Jahren ab Kaufdatum. Für alle anderen Länder gilt eine Garantiezeit von 6 Monaten. Innerhalb dieses Zeitraums wird ein defektes Gerät kostenfrei durch den Antari-Händler, bei dem das Gerät erworben wurde, repariert oder ersetzt.

Diese Garantie gilt nicht für Geräte, die entgegen der bestimmungsgemäßen Verwendung eingesetzt wurden oder bei unsachgemäßem Gebrauch und/oder entgegen der Hinweise in der Bedienungsanleitung. Diese Garantie erlischt auch, wenn das Gerät von ungeschulten Personen geöffnet, verändert oder repariert wurde.

Der Betreiber dieses Gerätes ist verpflichtet, die Anweisungen in der Bedienungsanleitung zu beachten und insbesondere die Hinweise zur Reinigung, Pflege und Wartung zu befolgen.

In einem Garantiefall ist neben einer Fehlerbeschreibung auch eine Kopie des Kaufbeleges beizulegen.



Mode d'emploi

Antari W-508 & W-510 Machine à Fumée

Nous vous félicitons pour l'achat de votre nouvelle
Machine à Fumée d'Antari

Introduction

Nous vous remercions d'avoir choisi une machine à fumée d'Antari. Vous êtes en possession d'un produit robuste et puissant. En vue d'utiliser correctement votre nouvel appareil, veuillez lire attentivement ce mode d'emploi. Si vous respectez les instructions suivantes, vous profiterez d'une performance solide et convaincante de votre machine à fumée d'Antari pour de nombreuses années.

Pour assurer la longévité et le bon fonctionnement de votre machine à fumée, veuillez lire attentivement les instructions suivantes concernant le maniement, la sécurité et l'entretien.



ATTENTION

Risques d'Electrocution. Démontez l'approvisionnement électrique de l'appareil avant de retirer la couverture.

Risques d'Electrocution

- o Protéger de l'humidité.
- o L'appareil a été conçu pour un emploi dans des locaux clos. Ne pas utiliser à l'extérieur.
- o Utilisez uniquement des prises de courant à terre à 3 broches. Avant la première mise en marche, assurez vous que l'appareil soit branché à l'alimentation correcte.
- o Débranchez l'appareil avant de remplir le réservoir.
- o Assurez vous d'installer la machine à fumée toujours droit.
- o Mettre la machine hors de service quand vous n'utilisez pas la machine.
- o Cette machine est protégée contre les éclaboussements et les projections d'eau. Si de l'humidité, du liquide ou du liquide à fumée devait pénétrer à l'intérieur de l'appareil, débranchez le immédiatement et contactez un technicien ou votre revendeur Antari avant de le réutiliser.
- o A l'intérieur de l'appareil, il n'y a aucune partie qui ait besoin d'être révisée. Les travaux d'entretien sont à faire effectuer par votre revendeur Antari ou par des spécialistes.

Danger d'Incendie

- L'usage de cet appareil n'est prévu que pour les adultes. Installez le hors de portée des enfants. Ne jamais faire marcher sans surveillance.
- Ne jamais braquer le bec de l'appareil directement sur des personnes.
- Le débit de la machine à fumée est très chaud. Pendant que la machine est en marche, respectez une distance d'environ 50 cm vis-à-vis son bec.
- Faites marcher la machine dans une salle bien aérée jusqu'à ce que son réservoir soit vide. Ne jamais couvrir les orifices d'aération. Pour garantir une aération suffisante, laissez un espace libre de 20 cm tout autour de l'appareil.
- Ne jamais braquer le bec de la machine sur des flammes.
- Quand le câble secteur de cet appareil est endommagé, il doit être remplacé par un installateur agréé pour éviter des dangers.
- Le bec de la machine devient très chaud (200° C) pendant son fonctionnement. Respectez une distance minimum de 50 cm entre le bec de la machine et les matériaux inflammables.
- Laissez refroidir la machine à fumée d'Antari avant toute manipulation.

Risques d'Explosion

- Ne jamais mélanger des liquides inflammables gazeux ou huileux avec le liquide à fumée.
- Employez uniquement des liquides à fumée de haute qualité à base d'eau recommandée par votre revendeur. D'autres liquides à fumée pourraient causer des problèmes d'encrassement ou des crachotements.
- Faites attention qu'il y ait toujours suffisamment de liquide à fumée dans le réservoir. Un emploi sans liquide pourrait endommager la pompe ou provoquer la surchauffe de l'élément de chauffage.
- Si votre machine à fumée d'Antari ne devait plus fonctionner correctement, éteignez le immédiatement. Videz complètement le réservoir, emballez le soigneusement (au mieux dans son emballage d'origine) et l'envoyez-le à votre revendeur Antari.
- Toujours vider le réservoir avant d'envoyer ou transporter l'appareil. Ne jamais avaler le liquide à fumée. Si c'était tout de même le cas, consultez un médecin immédiatement. En cas de contact avec la peau ou les yeux, rincer à grande eau.

Remarque : Veuillez suivre toute instruction de sécurité appliquée sur le boîtier de votre machine à fumée d'Antari.

Déballage & Inspection

Ouvrez le carton extérieur et assurez vous que toutes les pièces n'aient subi aucun dommage durant leur transport.

Assurez-vous que le carton d'expédition contient le articles suivants:

1. Une unité de W-508 ou W-510 Machine à Fumée
2. Câble d'alimentation
3. Une unité de W-1 Transmetteur
4. Mode d'emploi
5. Lyre de fixation avec vis et rondelle (optionnelle pour W-510)

Servez vous de la liste des accessoires ci-jointe pour vérifier si votre modèle vous a été livré avec son équipement complet.

En cas de livraison endommagée ou incomplète, toujours contactez immédiatement votre revendeur Antari.

Mise en Marche

- Enlevez tout matériau d'emballage. Assurez vous d'avoir enlevé toute la mousse et le rembourrage en plastique, sûr tout au bec de la machine.
- Placez la machine à fumée sur une surface plane et dévissez le couvercle du réservoir du liquide à fumée.
- Insérez le tuyau de liquide dans le réservoir pleine.
Employez uniquement des liquides à fumée de haute qualité à base d'eau recommandée par votre revendeur. Remplissez le réservoir de liquide à fumée Antari FLR ou FLG ou d'un autre liquide à fumée de haute qualité à base d'eau. D'autres liquides à fumée pourraient causer des problèmes d'encrasser ou des crachotements. Refermez le réservoir. Veuillez faire attention de ne jamais dépasser le niveau maximale de liquide.

Opération

Remplissez le réservoir de liquide à fumée. Veuillez faire attention de ne jamais dépasser le niveau maximale de liquide.

Branchez la fiche d'alimentation dans une prise de courant avec terre. Mettez le commutateur d'alimentation à l'arrière de l'appareil en mode "ON". Le temps de préchauffage est commence. Pendant la phase de chauffe, l'appareil ne peut pas encore dégager de la fumée. Le temps de préchauffage est terminé, dès que l'indicateur lumineux rouge (W-508) ou vert (W-510) s'allume. Veuillez voir le chapitre "Contrôleur sans fil W-1" pour ajuster le contrôleur.

Notices importantes :

Surveillez toujours le niveau de liquide à fumée dans le réservoir pendant les jets de fumée.

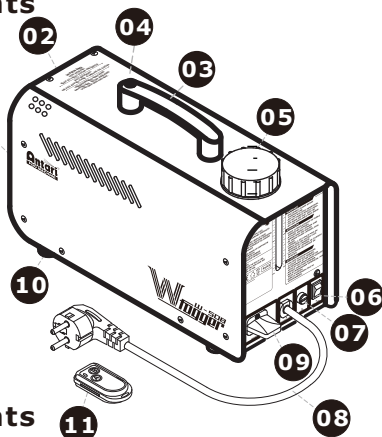
Ne jamais avaler le liquide à fumée. Si c'était tout de même le cas, consultez un médecin immédiatement. En cas de contact avec la peau ou les yeux, rincer à grande eau.

Après l'avoir rempli de liquide à fumée, refermez toujours immédiatement les couvercles du bidon de liquide et du réservoir de la machine.

W-510 : Si votre modèle dispose d'une lyre de fixation, on peut le fixer au plafond. Lors de cette installation, faites attention que la fumée ne s'évapore pas directement en direction de visages des personnes. Faites attention à ce que l'angle d'inclinaison ne soit pas supérieure à 25 degrés.

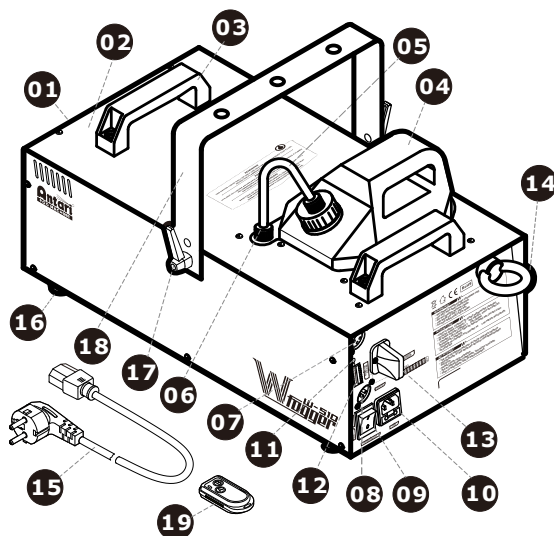
W-508 Eléments et Branchements

- 01- Bec
- 02- Boîtier
- 03- Bras
- 04- Bras bouton-poussoir avec indicateur
- 05- Couvercle du réservoir et réservoir
- 06- Commutateur secteur
- 07- Porte-fusible
- 08- Câble d'alimentation
- 09- Récepteur sans fil
- 10- Pied
- 11- W-1 Contrôleur sans fil



W-508 Eléments et Branchements

- 01- Bec
- 02- Boîtier
- 03- Bras
- 04- Couvercle du réservoir et réservoir
- 05- Tuyau PC et filtre
- 06- Adapter de tuyau
- 07- DMX sortie (XLR 3 pôles)
- 08- DMX entrée (XLR 3 pôles)
- 09- Commutateur secteur
- 10- Douille d'alimentation et porte-fusible (120VAC 250V/T10A) (230VAC 250V/T5A)
- 11- Indicateur de service
- 12- Interrupteurs DIP
- 13- Récepteur sans fil
- 14- Œillet de sécurité
- 15- Câble d'alimentation
- 16- Pied
- 17- Vis de fixation
- 18- Lyre de fixation (optionelle)
- 19- W-1 Contrôleur sans fil



Remarque : Un détecteur optoélectronique (OPTO) est installé dans les machines W-508 & W-510. Quand il n'y a pas suffisamment de liquide, la machine arrête et la LED au dos de l'appareil commence à clignoter. Remplissez le réservoir de liquide à fumée et mettez la machine en service une autre fois.

Si vous constatez un débit trop faible, un bruit de la pompe ou un manque total de fumée, débranchez immédiatement votre machine. Vérifiez le niveau de liquide, le fusible externe, la connexion à la télécommande et l'alimentation au secteur. Si tout apparaît être correct, branchez de nouveau. S'il n'y a aucune production de fumée après que vous avez pressé le bouton de la télécommande pendant 30 secondes, vérifiez si le liquide passe par le disperser qui est attaché au réservoir. Si vous n'arrivez pas à déterminer la cause du problème, ne continuez pas à presser le bouton de la télécommande. Cela pourrait endommager votre machine. Retournez la machine à votre revendeur Antari.

W-1 Contrôleur sans fil

Le contrôleur sans fil W-1 compose d'un transmetteur avec deux boutons pour activer le débit de fumée et un récepteur fixé au dos de chaque modèle de la série W.

* Transmetteur :



Avec le transmetteur, il est possible de débiter de fumée dans un rayon d'action de 50 mètres. Le transmetteur est compatible avec chaque récepteur de la série W et peut contrôler des machines illimitées en même temps.

Pour dégager la fumée, appuyez sur le bouton "A". Comme contrôle, la LED bleue est allumée. Pour désactiver le débit de fumée, appuyez sur le bouton "B".

* Récepteur :



Le récepteur est testé et fixé au dos de chaque modèle de la série W. S'il vous plaît ne pas essayer de le détacher. Le récepteur réagit à jusqu'à 5 transmetteurs différents enregistrés avec la machine. Le transmetteur inclus est enregistré avec la machine avant la livraison. Il est possible de l'utiliser directement sans réglage initiale.

Register transmetteurs

Pour le fonctionnement de la machine avec un transmetteur différent comme livré, ou avec jusqu'à 5 transmetteurs différents, chaque transmetteur doit être enregistré premièrement. Il y a un indicateur LED aux appareils. Au W-508 il est vert, au W-510 il est orange. Quand la machine est mis en service, la LED commence à clignoter pour 15 secondes. Pendant l'intervalle de 15 seconds, l'usager peut enregistrer un ou plusieurs de transmetteurs en pressant le bouton "A" sur chaque transmetteur. For this purpose, press the button "A" on each transmitter. Quand le signal d'enregistrement est bien réçu du récepteur, la LED arrête de clignoter et est allumée. Les transmetteurs avant sont éteint de la mémoire du récepteur. Quand vous ne registrez pas d'un transmetteur quand la machine est mis en service, la mémoire du récepteur contient l'opération avant.

Ajuster exemple 1 :

Veillez mettre la machine en service pour enregistrer un ou plusieurs de transmetteurs. Avec la LED vert (W-508) ou orange (W-510) clignotant, pressez le bouton "A" sur chaque transmetteur pour commencer la transmission du signal.

Ajuster exemple 2 :

Pour utiliser un transmetteur pour contrôler deux ou plus machines, veuillez mettre les machines en service au même moment. Avec les LEDs vertes (W-508) ou oranges (W-510) clignotant, pressez le bouton "A" sur le transmetteur pour commencer la transmission du signal.

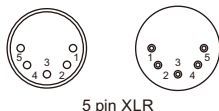
Changer la pile du transmetteur

Quand le rayon d'action du transmetteur cesse, la pile est probablement vide et doit être remplacée. Veuillez ouvrir le couvercle et quitter la pile vide. Insérez

une pile nouveau 12 V, type 23A comme indiqué dans le compartiment de pile et remplacez le couvercle.

-Belegung der DMX-Anschlüsse

Die Maschine (W-510) verfügt über 5-polige XLR-Anschlüsse für den Anschluss an einen DMX-Controller. Die nachfolgende Grafik zeigt die Belegung der Buchsen.



5 pin XLR

Kontakt	Funktion
1	Masse
2	Signal-
3	Signal+

W-510 Réglages DMX512

Canal A



0 à 5 = arrêt (aucun dégagement de fumée)

6 à 255 = dégagement maximal de fumée (100 %)

Le modèle W-510 comporte un système DMX512, modèle W-508 ne pas. Ajustez l'adresse DMX par interrupteurs DIP. L'appareil dispose d'un canal de contrôle pour marché/arrêt. Le canal varie entre les valeurs DMX 0 à 255. Après avoir connecté un contrôleur DMX, les fonctions Timer comme la durée de fumée et intervalle peuvent être programmés par le contrôleur DMX ou par le logiciel DMX via la fenêtre d'effets lumineux.

Entre les valeurs 0 et 5, la machine est en arrêt.

Entre les valeurs 6 et 255, la machine fonctionne avec un débit de fumée maximal (100 %).

Remarque : S'il vous plaît faites attention que si la machine était codée sur l'adresse initiale DMX 130 dans l'exemple en haut, le canal A correspond exactement à cette adresse initiale DMX.

Codage

Chaque appareil occupe 1 canal de contrôle. Pour que les signaux de commande s'adressent correctement à chaque appareil, les appareils doivent être codés. Le codage doit être effectué séparément à chaque appareil : régler les minirupteurs selon le relevé ci-contre.

L'adresse initiale est le premier canal à partir l'appareil répond au contrôleur DMX.

Assurez-vous qu'il n'y ait pas de canaux entrelacés pour assurer un contrôle correct et indépendant d'autres appareils DMX. Lorsque deux ou plus appareils sont codés à la même adresse initiale, ils fonctionneront synchronement.

Configuration des interrupteurs DIP

Ajuster l'adresse initiale DMX : Adresse initiale	Interrupteur DIP no.	1	2	3	4	5	6	7	8	9
Nombre de l'appareil & canaux	Adresse initiale	1	2	4	8	16	32	64	128	256
Appareil 1 - canal 1	ON	▲								
	OFF		▼	▼	▼	▼	▼	▼	▼	▼
Appareil 2 - canal 2	ON		▲							
	OFF	▼		▼	▼	▼	▼	▼	▼	▼
Appareil 3 - canal 3	ON	▲	▲							
	OFF			▼	▼	▼	▼	▼	▼	▼
Appareil 4 - canal 4	ON			▲						
	OFF	▼	▼		▼	▼	▼	▼	▼	▼
Appareil 5 - canal 5	ON	▲		▲						
	OFF		▼		▼	▼	▼	▼	▼	▼

Remarques de fonctionnement

Toutes machines à fumée dégagent une condensation autour de son bec de sortie qui pourrait mener à une accumulation d'humidité au-dessus de l'appareil. Prenez cela en considération lors du choix de l'emplacement de votre appareil.

Pendant son fonctionnement ou quelque temps après, il se peut de temps à autre qu'une machine à fumée débite spontanément de la fumée.

Après une utilisation continue toutes machine à fumée a besoin de pauses de fonctionnement pour garder une température correcte. Pendant la phase de chauffe, l'appareil ne peut pas encore dégager de la fumée.

Nettoyage et Maintenance

Faites toujours attention de ne pas polluer le liquide à fumée. Après l'avoir rempli de liquide à fumée, refermez toujours immédiatement les couvercles du bidon de liquide et du réservoir de la machine. Nettoyer la machine régulièrement pour éviter des frais de réparation et parties de rechange. Après une utilisation continue de 40 heures, il est recommandé de procéder à un nettoyage de l'appareil pour éviter une accumulation de résidus dans l'élément de chauffage avec d'eau distillée.

Pratiquiez le nettoyage de la manière suivante :

1. Insérez l'eau distillée dans le réservoir propre et insérez le tuyau d'liquide dans le réservoir.
2. Faites marcher la machine dans une salle bien aérée jusqu'à ce que son réservoir soit vide.
3. Nettoyez le boîtier de la machine seulement avec un chiffon sec. Le nettoyage est accompli. Remplissez la machine de liquide à fumée. Veuillez mettre la machine en service court ment pour nettoyer la pompe et le bloc de chauffage.

Remarque : Dû à la consistance visqueuse du liquide à fumée et à la haute température avec laquelle la fumée s'évapore, toutes les machines à fumée ont tendance à encrasser. Le entretien régulier de la machine garanti cependant son usage solide pour de nombreuses années.

Nettoyez le boîtier de la machine seulement avec un chiffon sec. L'appareil est à stocker au sec.

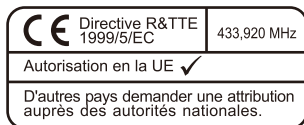
Nettoyer l'appareil après de stocker. L'appareil est à stocker au sec. Nous recommandons de contrôler la machine mensuellement. C'est constitué du temps de chauffage et du débit de fumée de quelques minutes.

Caractéristiques Techniques

Model	W-508	W-510
Alimentation	100~240V AC 50/60 Hz	100~240V AC 50/60 Hz
Puissance de rendement	800 W	1,000 W
Volume d'émission	env. 85 m ³ /min.	env. 283 m ³ /min.
Contenu du réservoir	0,8 litres	2,8 litres
Consommation de liquide	3,7 min./0,8 litres	13 min./litre
Temps de chauffage	100 secondes	12 min.
Poids	3,8 kg	11,4 kg
Dimensions (LxIxH)	315 x 128 x 166 (mm)	468 x 250 x 148 (mm)
Télécommande inclus	W-1	W-1
Fréquence porteuse	UHF 433.920 MHz	UHF 433.920 MHz
Batterie	12 V, type 23A	12 V, type 23A
Portée	env. 50 m	env. 50 m

Admission

Ce système sans fil être testé et autorisé dans l'Union européenne selon les termes de la directive R+TTE. En la UE, le système sans fil possède une autorisation générale et ne nécessite pas de déclaration spécifique. Dépendant de pays d'opération, il peut cependant être nécessaire de demander une attribution des fréquences auprès des autorités nationales.



Garantie

La garantie est valide seulement si l'appareil est acheté d'un distributeur ou revendeur autorisé par Antari. Pour un service couvert par la garantie, expédiez vous l'appareil seulement à un distributeur ou revendeur autorisé.

Si l'appareil est modifié de quelque manière, si l'entretien et les réparations sont effectués par du personnel de service incompetent, ou si le produit est utilisé autrement que décrit dans ce mode d'emploi, ceci peut causer des dommages au produit et la garantie cesse alors.

Ce n'est pas un contrat d'entretien et de maintenance et ne comprends pas des services. Toutes pièces d'usures ne sont pas couvert par la garantie.

Garanties additionnelles proposent selon la discrétion du distributeur ou du revendeur demeurent l'obligation unique du distributeur ou du revendeur.

Quand vous contactez votre revendeur pour l'information ou l'assistance, toujours citez le code barre et le modèle de l'appareil.

Lisez et gardez ces instructions.



使用說明書

W-508 & W-510 煙霧機

恭喜您成為Antari W無線系列煙霧機的使用者

感謝您選用 Antari 煙霧機產品，現在您已經擁有高科技的專業煙霧機，在開始使用之前，我們建議您先仔細閱讀本說明書，遵循使用手冊中的說明，這會有助於您在使用 Antari 煙霧機時得心應手，達到最滿意的煙霧效果，對於機器的使用壽命也更為延長。

特別注意

請在連結電源之前，先填裝好煙霧油，機器使用完畢及搬運前，請先確認清空煙霧油桶。

避免觸電的安全使用方式：

- 請保持機器乾燥，僅於室內使用，本產品非為室外使用所設計。
- 使用前請小心判定電壓級數，伏特及機型，當使用所有電壓規格的機種請應配合接地型插座使用。
- 填充煙霧油至油桶前，請先拔掉插頭。
- 請保持機器橫放，勿傾斜放置。
- 不使用時請關機，長時間不使用時請拔掉插頭。
- 本產品之設計為不防水，遇潮濕或浸水或煙霧油滲出時請即刻拔掉插頭並擦乾，在下次使用前，聯絡技術人員或 Antari 的代理商檢修。
- 本包裝中未附維修零件，敬請聯繫 Antari 代理商，或洽詢合格技術人員。

避免燃燒的安全使用方式：

- 機器內部並無一般使用者可變動之結構，請勿任意打開上蓋及作任何更改的動作，否則可能造成起火的危險！
- 機器僅限成人使用，安裝煙霧機之地點應避免兒童可及之處，請於外出離去時確實關閉電源。
- 請勿將機器噴嘴對著人體及動物直射。
- 煙霧機所產生的煙霧溫度較高，機器運作時，請遠離噴嘴50CM以上。
- 請將煙霧機放置於通風良好的地方，請勿遮蓋機器散熱部分，為確保適度通風，機器的上方及周圍請預留20CM空間。
- 請勿將機器噴嘴對準火焰。
- 當機器運作時，噴嘴輸出部分之溫度高達攝氏200度，請將任何物品放置離機器50CM。
- 清潔、從事維護及收納機器時，請先確認機器已經完全冷卻。

避免爆炸的安全使用方式：

- 請勿將任何可燃性液體(例如油脂, 瓦斯, 香水), 放置於煙霧油槽中, 並請使用前詳細閱讀說明書。
- 請使用代理商所推薦的Antari高品質FLR / FLG水性煙霧油, 任意使用其他煙霧油產品, 可能導致堵管現象甚至造成內部零件腐蝕。
- 請確認煙霧油槽中有足夠的煙霧油, 以免造成煙霧機幫浦空轉過熱。
- 若您的Antari機器有任何不當運轉情況時, 請即刻停止使用, 倒出煙霧油, 機器冷卻後, 仔細包好本產品(建議以原包裝) 送至代理商或經銷商處維修。請記得在運送或郵寄
- 本產品前, 確定完全傾倒出所有在油桶中的煙霧油。
- 煙霧油不能飲用, 誤飲時, 如有任何不適請立即就醫, 若不甚接觸眼睛, 請即刻以水清洗。

建議： 在使用本機器之前, 詳細閱讀一次印刷在機器上蓋板及後背板的警語標示。

拆除包裝及檢視機器

請打開包裝確認機器運作的所有設備齊全, 請參考配置圖, 確認您所購買的機型應包括之項目, 倘若有缺少任何項目, 請即刻聯絡Antari 經銷商。機器出廠時應包含以下物件:

1. W系列機器 一部
2. 電源線一條
3. W-1無線控制器一個
4. 使用說明書一本
5. 吊架一組附墊片及螺絲 (W-510可選購)

在開始安裝機器之前, 請先確認本產品未因運送過程造成外部的損壞, 若機器外殼、控制器或電源線有任何損壞, 請勿插上插頭, 並請勿使用, 馬上與Antari 代理商或經銷商聯繫。

機器的安裝

- 拆開包裝, 小心的移除所有的包材墊片, 特別是機器噴嘴的部分。
- 將煙霧機放置於平坦表面, 取下裝置煙霧油容器的蓋子。
- 連結油管與機器。
- 請使用ANTARI代理商所推薦的高品質, 水性煙霧油。W-515與W-530機器只能添加
- ANTARI煙霧油FLR或FLG來運作, 其他任何不屬於ANTARI煙霧油會造成機器的堵管與損壞。
- 請注入Antari FLR或FLG煙霧油至八分滿, 並仔細蓋上油蓋。

操作方法

添加煙霧油至油桶時請勿過滿, 且記得將油蓋旋緊。之後請將電源插頭插入插座, 啟動機器後方的電源開關, 機器便會開始加熱, 請注意預熱中的機器並無法輸出煙霧, 且W-508機器把手上的LED紅燈或W-510機器後方的LED綠燈會持續閃亮直到機器預熱完成後

才停止閃爍。

請參閱以下設定W-508與W-510無線控制器的方法。

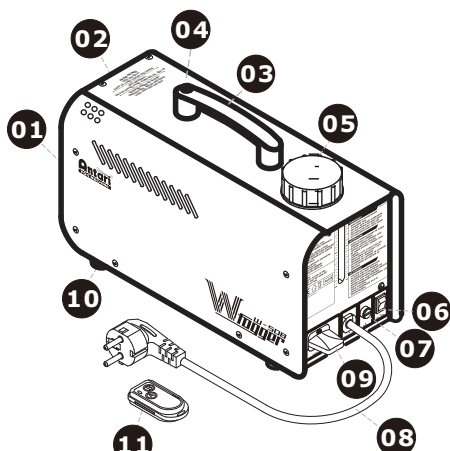
重點指示:

在噴煙時，請隨時注意油桶的剩油量。請勿食用煙霧油，若不小心勿食，請趕快就醫，不慎讓煙霧油接觸到皮膚或眼睛，請徹底使用清水洗淨。請注意在添加完煙霧油之後，確實將油桶蓋蓋上，以防灰塵或雜質進入油箱。

W-510: Antari W-510機型的煙霧配有吊架，可方便安裝或吊掛使用，倘若您將煙霧機裝吊掛使用，請加上鋼索穿過馬達安全吊環，並請特別注意勿讓煙霧直接噴在任何人的臉上，無論採取何種安裝方式，請勿傾斜超過25度。

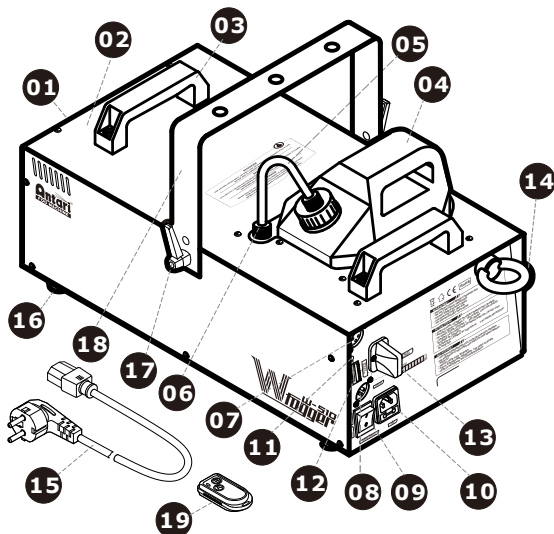
W-508 外觀說明

- 01- 噴嘴
- 02- 機身主體
- 03- 把手
- 04- 把手開關
- 05- 油桶與油桶蓋
- 06- 電源開關
- 07- 保險絲座
- 08- 電源線
- 09- 無線接收器
- 10- 腳墊
- 11- W-1 無線發射器



W-510 外觀說明

- 01- 噴嘴
- 02- 機身主體
- 03- 把手
- 04- 油桶與油桶蓋
- 05- PU管與濾嘴
- 06- 油管轉接頭
- 07- 控制器輸出插座
(3 槽 XLR 或 DMX)
- 08- 控制器輸入插座
(3 槽 XLR 或 DMX)
- 09- 電源開關
- 10- 電源插座與保險絲座
(120VAC 250V/T10A)
(230VAC 250V/T5A)
- 11- 電源指示燈
- 12- 指撥開關
- 13- 無線接收器
- 14- 安全吊環
- 15- 電源線
- 16- 腳墊
- 17- 固定螺絲
- 18- 吊架
- 19- W-1無線發射器



English
Deutsch
Français
中文

其他事項：W-508與W-510皆配有電子油量偵測器，在剩餘油量不足的情況下，幫浦會自動停止動作，且機器後方的LED燈號會閃爍提示油量不足，此時請添加煙油至空油桶即可解除警示燈號。

在執行添油動作之後，即可再恢復使用機器。

當您覺得煙量開始過少，幫浦開始吵雜或不再有任何煙霧輸出時，請馬上拔除機器插頭。檢查剩餘油量是否足夠、外部保險絲、以及牆壁上的電源插座是否正常，當以上一切檢查無誤，再插入電源，若在按住控制器按鈕的三十秒之後，仍無煙霧噴出，請確認輸油管是否完全暢通無雜質卡住，若您無法真正確認問題發生的原因，勿直接再連續壓按控制器的按鈕，請將您的機器送回Antari的經銷商維修。

規格明細

型號	W-508	W-510
電源	100~240V AC 50/60 Hz	100~240V AC 50/60 Hz
瓦數	800 瓦	1,000 瓦
輸出功率(立方呎/每分鐘)	3,000 cu.ft/min (85 m ³ /min)	10,000cu.ft/min (284 m ³ /min)
油桶容量	0.8 公升	2.8 公升
耗油量	60 分鐘/0.8 公升	13 分鐘 / 公升
重量	3.8 公斤	11.4 公斤
尺寸(長x寬x高)	315 x 128 x 166 (mm)	468 x 250 x 148 (mm)
隨機附含發射器	W-1	W-1
溫機時間	100 秒	12分鐘

ANTARI W-508 & W-510 無線發射器使用說明

* W-1發射器：

- 發射器：使用 DC 12V 電池
- 接收距離：50 公尺的開放空間（無障礙物）
- 發射器都可與任一W系列接收器搭配使用。



* 接收器：

- 接收器在經過測試之後會固定在每台W系列的機器後板上，請勿嘗試把它拔除。



*** 設定功能：**

1. 所有的接收器都能接收任何已完成對頻的發射器。
2. 每個接收器都能記憶五組發射器的訊號。
3. 每個發射器在出廠都已經完成設定，使用者可以不用重新設定即可使用。最初的設定為按A按鈕可以啟動機器，按B按鈕則可以停止機器運作。
4. 若使用者希望透過其他發射器來控制機器（除了原來配備的發射器之外），需要在機器開啓的15秒內完成設定，否則機器會在15秒之後自動離開設定模式。

設定範例：

在機器後方控制版上有LED的燈號，當機器啟動時，W-508機器後方綠色LED燈號或W-510機器後方橘色LED燈號會閃爍15秒，在這15秒之間，使用者可以進行控制器的設定，當設定完成後，綠/橘色的燈號會停止閃爍然後轉成亮綠/橘燈。若使用者想使用一個控制器同時控制兩台甚致多台機器時，可將希望控制的機器數量全部啟動，然後在啟動後的15秒內，按下控制器A按鈕來完成設定。

5. 機器具有記憶功能，若在機器啟動也完成設定之後，沒有再設定其他組控制器時，機器可自動記憶最後設定的控制器組，在機器下次使用開機時，請勿按壓任何控制器的按鈕，經過15秒的設定時間之後，即可以上次所記憶的控制器組來控制機器。
6. 請注意當有新的控制器要與機器對頻時，無論先前有幾組完成設定的控制器都會被洗掉。

機器注意事項

1. 所有的煙霧機再噴嘴的地方都會有煙油的凝結，因為這會導致濕氣累積在噴嘴下方的表面，所以請在要設置機器時，將這個凝結的問題考慮進去。
2. 所有的煙霧機在待機時，每隔幾分鐘會噴出微量的煙霧，即時在關機後仍有一小段時間機器會噴出微量的煙。
3. 所有煙霧機在運作噴煙之後，會自己暫時停止動作來準備重覆加熱，在加熱的這段期間是無法執行噴煙動作。

清潔與收藏

請勿讓煙霧油受到雜質污染，在每次添油之後請馬上蓋好油桶蓋。定期的清潔與保養您的機器，可以將零件的損壞率減至最低，並節省維修成本。在使用超過40個小時之後，建議您可以使用蒸餾水，依尋以下的步驟來清潔電熱管：

清潔的步驟如下：

1. 在油箱中倒進蒸餾過的乾淨清水，然後將聯接油箱與機器的油管裝上。

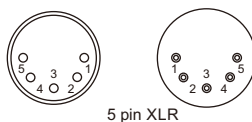
2. 在通風的地方啟動並運作機器，直到油箱內的清水幾乎使用完畢。
3. 請使用乾淨的棉布擦拭機器，清潔到此結束。之後請再添加煙霧油，啟動機器讓它運作一小段時間來清掉一些殘餘在幫浦與電熱管上的煙油。

注意:所有的煙霧機經常因為使用濃稠的煙油而導致阻塞，無論如何，正確的使用方法與清潔可以增加機器的使用年限。

請使用乾棉布擦拭並在儲藏前保持乾燥。

DMX連接PIN的接點說明

W-510提供5 Pin XLR的DMX連接。下方為Pin的接點說明：



5 pin XLR

Pin	功能
1	接地
2	數據-
3	數據+

ANTARI W-510 DMX 設定說明

頻道說明 A

0- 128 = Off / 關



129 255 = Maximum Volume Output 最大噴煙輸出量(100%)

W-510 煙霧機備有 DMX 控制列(指撥開關)，W-510 只使用一個控制頻道，每一個頻道的輸出量數值在 0~255 之間。連結 DMX 控台後，DMX 可控制 Z-1000II 及 Z-1020 100% 最大噴煙量。使用相同的系統您可以輕易的連結煙霧機、燈光、其他的特效機器成全系統的演出。

如果頻道 A 的設定數值在 0 ~ 128 之間，這台機器將無法有足夠的輸出量運作。

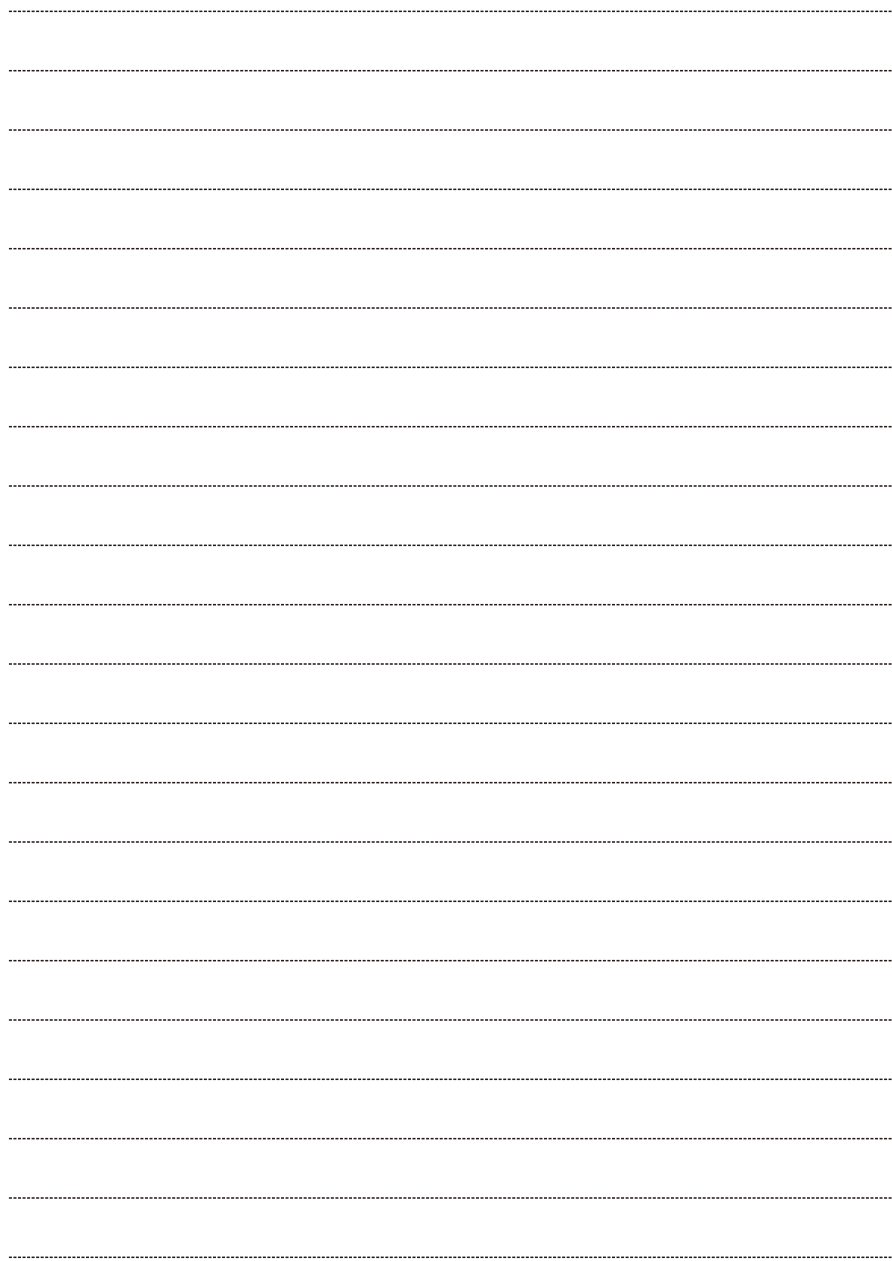
當頻道 A 的數值從 129 到 255 時，煙霧機將運轉輸出最大的100% 輸出量。

附注: 從以上的說明舉例: 如果煙霧機器被分派到第 130 的 DMX 位址, 頻道 A 的功能運作將完全符合 DMX 第 130 頻道的控制要求。

保固條款

1. 保固服務僅提供於 ANTARI 授權代理商出售的產品, 請直接將產品寄回 ANTARI 授權的代理商或經銷商維修。
2. 凡是擅自改裝產品而發生問題, 或產品是由未經授權的人員來維修, 以及未依循使用說明來操作導致機器損壞, 恕不提供保固服務。
3. 請注意此保固條款並非維修合約, 故不包含免費的機器保養、清潔服務及消耗品的更換。
4. 代理商可依各自的義務或責任來提供不同的額外保固條款。
5. 若需售後服務或任何協助時, 請提供機器的序號及型號給 ANTARI 代理商。

請妥善保存此說明書





For current product information visit Antari at: www.antari.com
For information requests please contact us at: sales@antari.com



C08W50102

www.antari.com