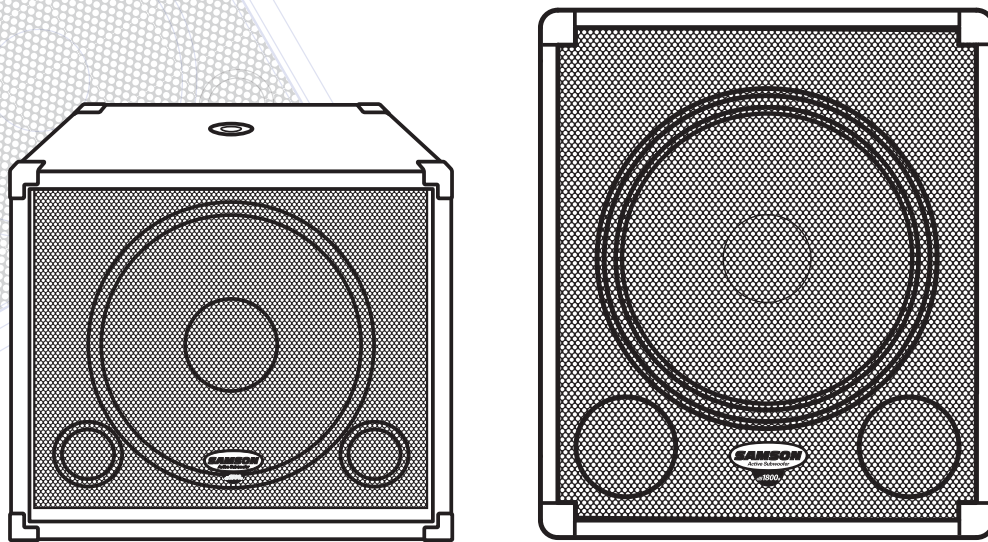


dB1500a

dB1800a



1000 WATT POWERED SUBWOOFER

Owners Manual

Safety Instructions/Consignes de sécurité/Sicherheitsvorkehrungen



WARNING: To reduce the risk of fire or electric shock, do not expose this unit to rain or moisture. To reduce the hazard of electrical shock, do not remove cover or back. No user serviceable parts inside. Please refer all servicing to qualified personnel. The lightning flash with an arrowhead symbol within an equilateral triangle, is intended to alert the user to the presence of uninsulated "dangerous voltage" within the products enclosure that may be of sufficient magnitude to constitute a risk of electric shock to persons. The exclamation point within an equilateral triangle is intended to alert the user to the presence of important operating and maintenance (servicing) instructions in the literature accompanying the product.

Important Safety Instructions

1. Please read all instructions before operating the unit.
2. Keep these instructions for future reference.
3. Please heed all safety warnings.
4. Follow manufacturers instructions.
5. Do not use this unit near water or moisture.
6. Clean only with a damp cloth.
7. Do not block any of the ventilation openings. Install in accordance with the manufacturers instructions.
8. Do not install near any heat sources such as radiators, heat registers, stoves, or other apparatus (including amplifiers) that produce heat.
9. Do not defeat the safety purpose of the polarized or grounding-type plug. A polarized plug has two blades with one wider than the other. A grounding type plug has two blades and a third grounding prong. The wide blade or third prong is provided for your safety. When the provided plug does not fit your outlet, consult an electrician for replacement of the obsolete outlet.
10. Protect the power cord from being walked on and pinched particularly at plugs, convenience receptacles and at the point at which they exit from the unit.
11. Unplug this unit during lightning storms or when unused for long periods of time.
12. Refer all servicing to qualified personnel. Servicing is required when the unit has been damaged in any way, such as power supply cord or plug damage, or if liquid has been spilled or objects have fallen into the unit, the unit has been exposed to rain or moisture, does not operate normally, or has been dropped.

ATTENTION: Pour éviter tout risque d'électrocution ou d'incendie, ne pas exposer cet appareil à la pluie ou à l'humidité. Pour éviter tout risque d'électrocution, ne pas ôter le couvercle ou le dos du boîtier. Cet appareil ne contient aucune pièce remplaçable par l'utilisateur. Confiez toutes les réparations à un personnel qualifié. Le signe avec un éclair dans un triangle prévient l'utilisateur de la présence d'une tension dangereuse et non isolée dans l'appareil. Cette tension constitue un risque d'électrocution. Le signe avec un point d'exclamation dans un triangle prévient l'utilisateur d'instructions importantes relatives à l'utilisation et à la maintenance du produit.

Consignes de sécurité importantes

1. Veuillez lire toutes les instructions avant d'utiliser l'appareil.
2. Conserver ces instructions pour toute lecture ultérieure.
3. Lisez avec attention toutes les consignes de sécurité.
4. Suivez les instructions du fabricant.
5. Ne pas utiliser cet appareil près d'une source liquide ou dans un lieu humide.
6. Nettoyez l'appareil uniquement avec un tissu humide.
7. Veillez à ne pas obstruer les fentes prévues pour la ventilation de l'appareil. Installez l'appareil selon les instructions du fabricant.
8. Ne pas installer près d'une source de chaleur (radiateurs, etc.) ou de tout équipement susceptible de générer de la chaleur (amplificateurs de puissance par exemple).
9. Ne pas retirer la terre du cordon secteur ou de la prise murale. Les fiches canadiennes avec polarisation (avec une lame plus large) ne doivent pas être modifiées. Si votre prise murale ne correspond pas au modèle fourni, consultez votre électricien.
10. Protégez le cordon secteur contre tous les dommages possibles (pincement, tension, torsion,, etc.). Veillez à ce que le cordon secteur soit libre, en particulier à sa sortie du boîtier.
11. Déconnectez l'appareil du secteur en présence d'orage ou lors de périodes d'inutilisation prolongées.
12. Consultez un service de réparation qualifié pour tout dysfonctionnement (dommage sur le cordon secteur, baisse de performances, exposition à la pluie, projection liquide dans l'appareil, introduction d'un objet dans le boîtier, etc.).

Stromschlags zu verringern, sollten Sie weder Deckel noch Rückwand des Geräts entfernen. Im Innern befinden sich keine Teile, die vom Anwender gewartet werden können. Überlassen Sie die Wartung qualifiziertem Fachpersonal. Der Blitz mit Pfeilspitze im gleichseitigen Dreieck soll den Anwender vor nichtisolierter "gefährlicher Spannung" im Geräteinnern warnen. Diese Spannung kann so hoch sein, dass die Gefahr eines Stromschlags besteht. Das Ausrufezeichen im gleichseitigen Dreieck soll den Anwender auf wichtige Bedienungs- und Wartungsanleitungen aufmerksam machen, die im mitgelieferten Informationsmaterial näher beschrieben werden.

Wichtige Sicherheitsvorkehrungen

1. Lesen Sie alle Anleitungen, bevor Sie das Gerät in Betrieb nehmen.
2. Bewahren Sie diese Anleitungen für den späteren Gebrauch gut auf.
3. Bitte treffen Sie alle beschriebenen Sicherheitsvorkehrungen.
4. Befolgen Sie die Anleitungen des Herstellers.
5. Benutzen Sie das Gerät nicht in der Nähe von Wasser oder Feuchtigkeit.
6. Verwenden Sie zur Reinigung des Geräts nur ein feuchtes Tuch.
7. Blockieren Sie keine Belüftungsöffnungen. Nehmen Sie den Einbau des Geräts nur entsprechend den Anweisungen des Herstellers vor.
8. Bauen Sie das Gerät nicht in der Nähe von Wärmequellen wie Heizkörpern, Wärmeklappen, Öfen oder anderen Geräten (inklusive Verstärkern) ein, die Hitze erzeugen.
9. Setzen Sie die Sicherheitsfunktion des polarisierten oder geerdeten Steckers nicht außer Kraft. Ein polarisierter Stecker hat zwei flache, unterschiedlich breite Pole. Ein geerdeter Stecker hat zwei flache Pole und einen dritten Erdungsstift. Der breitere Pol oder der dritte Stift dient Ihrer Sicherheit. Wenn der vorhandene Stecker nicht in Ihre Steckdose passt, lassen Sie die veraltete Steckdose von einem Elektriker ersetzen.
10. Schützen Sie das Netzkabel dahingehend, dass niemand darüber laufen und es nicht geknickt werden kann. Achten Sie hierbei besonders auf Netzstecker, Mehrfachsteckdosen und den Kabelanschluss am Gerät.
11. Ziehen Sie den Netzstecker des Geräts bei Gewittern oder längeren Betriebspausen aus der Steckdose.
12. Überlassen Sie die Wartung qualifiziertem Fachpersonal. Eine Wartung ist notwendig, wenn das Gerät auf irgendeine Weise, beispielsweise am Kabel oder Netzstecker beschädigt wurde, oder wenn Flüssigkeiten oder Objekte in das Gerät gelangt sind, es Regen oder Feuchtigkeit ausgesetzt war, nicht mehr wie gewohnt betrieben werden kann oder fallen gelassen wurde.

Instrucciones de seguridad / Istruzioni di Sicurezza

PRECAUCION: Para reducir el riesgo de incendios o descargas, no permita que este aparato quede expuesto a la lluvia o la humedad. Para reducir el riesgo de descarga eléctrica, nunca quite la tapa ni el chasis. Dentro del aparato no hay piezas susceptibles de ser reparadas por el usuario. Dirija cualquier reparación al servicio técnico oficial. El símbolo del relámpago dentro del triángulo equilátero pretende advertir al usuario de la presencia de "voltajes peligrosos" no aislados dentro de la carcasa del producto, que pueden ser de la magnitud suficiente como para constituir un riesgo de descarga eléctrica a las personas. El símbolo de exclamación dentro del triángulo equilátero quiere advertirle de la existencia de importantes instrucciones de manejo y mantenimiento (reparaciones) en los documentos que se adjuntan con este aparato.

Instrucciones importantes de seguridad

1. Lea todo este manual de instrucciones antes de comenzar a usar la unidad.
2. Conserve estas instrucciones para cualquier consulta en el futuro.
3. Cumpla con todo lo indicado en las precauciones de seguridad.
4. Observe y siga todas las instrucciones del fabricante.
5. Nunca utilice este aparato cerca del agua o en lugares húmedos.
6. Limpie este aparato solo con un trapo suave y ligeramente humedecido.
7. No bloquee ninguna de las aberturas de ventilación. Instale este aparato de acuerdo a las instrucciones del fabricante.
8. No instale este aparato cerca de fuentes de calor como radiadores, calentadores, hornos u otros aparatos (incluyendo amplificadores) que produzcan calor.
9. No anule el sistema de seguridad del enchufe de tipo polarizado o con toma de tierra. Un enchufe polarizado tiene dos bornes, uno más ancho que el otro. Uno con toma de tierra tiene dos bornes normales y un tercero para la conexión a tierra. El borne ancho o el tercero se incluyen como medida de seguridad. Cuando el enchufe no encaje en su salida de corriente, llame a un electricista para que le cambie su salida anticuada.
10. Evite que el cable de corriente quede en una posición en la que pueda ser pisado o aplastado, especialmente en los enchufes, receptáculos y en el punto en el que salen de la unidad.
11. Desconecte de la corriente este aparato durante las tormentas eléctricas o cuando no lo vaya a usar durante un periodo de tiempo largo.
12. Dirija cualquier posible reparación solo al servicio técnico oficial. Deberá hacer que su aparato sea reparado cuando esté dañado de alguna forma, como si el cable de corriente o el enchufe están dañados, o si se han derramado líquidos o se ha introducido algún objeto dentro de la unidad, si esta ha quedado expuesta a la lluvia o la humedad, si no funciona normalmente o si ha caído al suelo.

ATTENZIONE: per ridurre il rischio di incendio o di scariche elettriche, non esponete questo apparecchio a pioggia o umidità. Per ridurre il pericolo di scariche elettriche evitate di rimuoverne il coperchio o il pannello posteriore. Non esistono all'interno dell'apparecchio parti la cui regolazione è a cura dell'utente. Per eventuale assistenza, fate riferimento esclusivamente a personale qualificato. Il fulmine con la punta a freccia all'interno di un triangolo equilatero avvisa l'utente della presenza di "tensioni pericolose" non isolate all'interno dell'apparecchio, tali da costituire un possibile rischio di scariche elettriche dannose per le persone. Il punto esclamativo all'interno di un triangolo equilatero avvisa l'utente della presenza di importanti istruzioni di manutenzione (assistenza) nella documentazione che accompagna il prodotto.

Importanti Istruzioni di Sicurezza

1. Prima di usare l'apparecchio, vi preghiamo di leggerne per intero le istruzioni.
2. Conservate tali istruzioni per una eventuale consultazione futura.
3. Vi preghiamo di rispettare tutte le istruzioni di sicurezza.
4. Seguite tutte le istruzioni del costruttore.
5. Non usate questo apparecchio vicino ad acqua o umidità.
6. Pulite l'apparecchio esclusivamente con un panno asciutto.
7. Evitate di ostruire una qualsiasi delle aperture di ventilazione. Posizionate lo seguendo le istruzioni del costruttore.
8. Non posizionate vicino a sorgenti di calore come radiatori, scambiatori di calore, forni o altri apparecchi (amplificatori compresi) in grado di generare calore.
9. Non disattivate la protezione di sicurezza costituita dalla spina polarizzata o dotata di collegamento a terra. Una spina polarizzata è dotata di due spinotti, uno più piccolo ed uno più grande. Una spina dotata di collegamento a terra è dotata di due spinotti più un terzo spinotto di collegamento a terra. Questo terzo spinotto, eventualmente anche più grande, viene fornito per la vostra sicurezza. Se la spina fornita in dotazione non si adatta alla vostra presa, consultate un elettricista per la sostituzione della presa obsoleta.
10. Proteggete il cavo di alimentazione in modo che non sia possibile camminarci sopra né piegarlo, con particolare attenzione alle prese, ai punti di collegamento e al punto in cui esce dall'apparecchio.
11. Staccate l'apparecchio dalla alimentazione in caso di temporali o tempeste o se non lo usate per un lungo periodo.
12. Per l'assistenza, fate riferimento esclusivamente a personale qualificato. È necessaria l'assistenza se l'apparecchio ha subito un qualsiasi tipo di danno, come danni al cavo o alla spina di alimentazione, nel caso in cui sia stato versato del liquido o siano caduti oggetti al suo interno, sia stato esposto a pioggia o umidità, non funzioni correttamente o sia stato fatto cadere.



Copyright 2005 - 2006, Samson Technologies Corp.

Printed April, 2006 v5.3

Samson Technologies Corp.

45 Gilpin Avenue

Hauppauge, New York 11788-8816

Phone: 1-800-3-SAMSON (1-800-372-6766)

Fax: 631-784-2201

www.samsontech.com

Table Of Contents

English

Introduction	1
dB1500a And dB1800a Features	2
Controls And Functions	3
Front Panel Layout	3
Rear Panel Layout	4
Configuring Your Speaker System	5
Operating The dB1500a And dB1800a	6
dB1500a And dB1800a Control Panel	6
dB1500a And dB1800a Connections	11
Caster Installation	11
Specifications	56

Français

Introduction	12
Caractéristiques Principales Du dB1500a	13
Réglages Et Fonctions	14
Face Avant	14
Face Arrière	15
Configuration De Vos Enceintes	16
Utilisation Du dB1500a Et Du dB1800a	17
Installation Des Roulettes	22
Caractéristiques Techniques	56

Deutsche

Einleitung	23
dB1500a Features	24
Regler Und Funktionen	25
Vorderseite	25
Rückseite	26
Lautsprechersystem Konfigurieren	27
dB1500a Und dB1800a Bedienen	28
Anschlüsse	33
Technische Daten	57

Español

Introducción	34
Características Del dB1500a	35
Controles Y Funciones	36
Distribución Del Panel Frontal	36
Distribución Del Panel Posterior	37
Configurar El Sistema De Altavoces	38
Utilizar Del dB1500a Y dB1800a	39
Panel De Control Del dB1500a	39
Conexiones	44
Especificaciones Técnicas	57

Italiano

Introduzione	45
dB1500a - Le Caratteristiche	46
Controlli E Funzioni	47
Il Pannello Frontale	47
Controlli E Funzioni	48
Il Pannello Posteriore	48
Configurazioni Di Sistema	49
dB1500a - Le Connessioni	55
L'installazione Delle Ruote	55
Specifiche	58

Introduction

Thank you for purchasing the dB1500a or dB1800a Subwoofer by Samson. The dB1500a and dB1800a are self-powered subwoofers featuring 15" for the dB1500a and 18" for the dB1800a heavy duty drivers, complemented by a 1000 Watt power amplifier. The dB1500a and dB1800a also offer an active stereo crossover providing a high-passed output for running your satellite speakers. Solid 3/4 inch plywood construction, steel corners, tough carpet covering and larger casters make the dB1500a and dB1800a road warriors. In fixed installation systems, the dB1500a and dB1800a provide super tight low frequency output in a relatively small, unobtrusive enclosure. The dB1500a and dB1800a are perfect add-ons to your dB500 and Expedition system, or for any sound reinforcement system where extended low-end is desired. While using your dB1500a or dB1800a, you'll have great low-end anywhere.

In these pages, you'll find a detailed description of the features of the dB1500a and dB1800a subwoofers, as well as a guided tour through their front and rear panels, step-by-step instructions for their setup and use, and full specifications. You'll also find a warranty card enclosed—please don't forget to fill it out and mail it in so that you can receive online technical support and so we can send you updated information about these and other Samson products in the future.

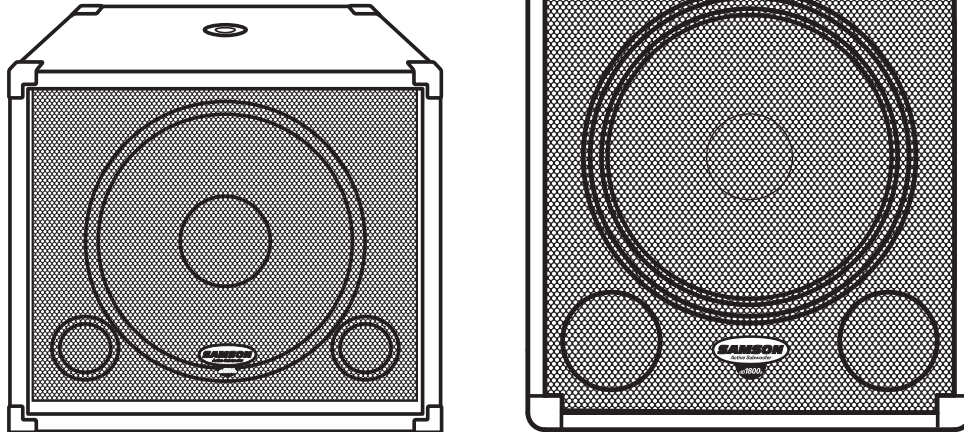
With proper care and adequate air circulation, your dB1500a or dB1800a will operate trouble free for many years. We recommend you record your serial number in the space provided below for future reference.

Serial number: _____

Date of purchase: _____

Should your unit ever require servicing, a Return Authorization number (RA) must be obtained before shipping your unit to Samson. Without this number, the unit will not be accepted. Please call Samson at 1-800-3SAMSON (1-800-372-6766) for a Return Authorization number prior to shipping your unit. Please retain the original packing materials and if possible, return the unit in the original carton and packing materials.

dB1500a and dB1800a Features



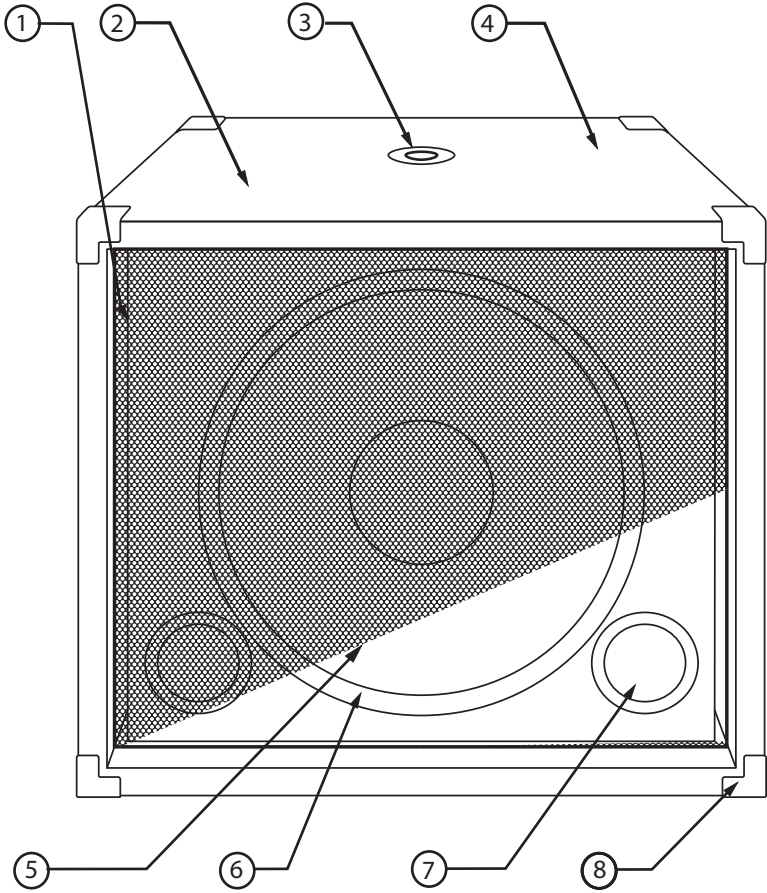
The Samson dB1500a and dB1800a Powered Subwoofers utilize the latest technology in loudspeaker and power amplifier design. Here are some of their main features:

- Heavy-duty, 15" for the dB1500a and 18" for the dB1800a Low Frequency Transducer With Butyl Rubber Surround
- Built-in 1000 Watt Power Amplifier
- Balanced High Pass Outputs for Satellite Speakers
- Variable Crossover 30 - 200 Hz
- Stereo / Mono Operation Switch
- Volume Control
- Heavy-Duty, Rear Mounted Casters
- Extra Large Grab Handles
- 35mm Pole Mount Receptacle
- Heavy-Duty, Steel Grill
- 3/4" Plywood Construction, internally braced and covered in tough carpet
- Three-year extended warranty

Controls and Functions

ENGLISH

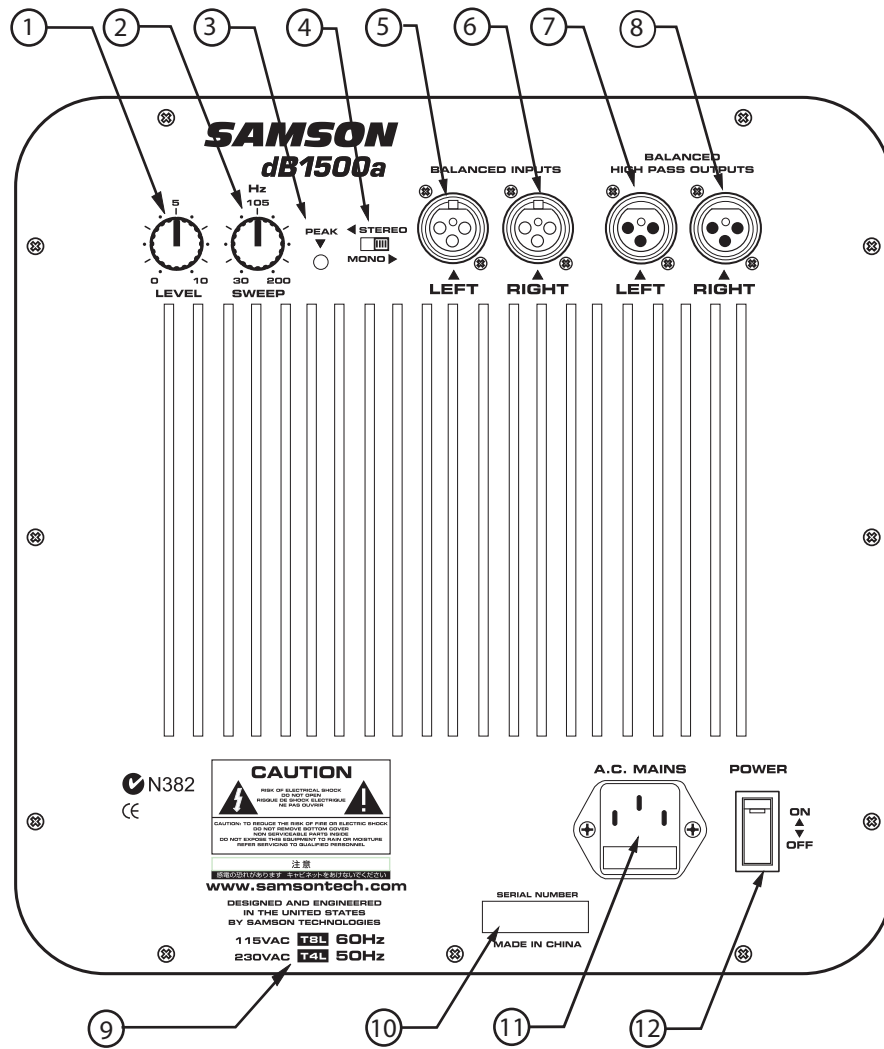
Front Panel Layout



- 1 **GRILL SCREEN** - Tough steel construction provides durable and stylish protection for speaker.
- 2 **ENCLOSURE** - Rigid 3/4" Plywood Construction.
- 3 **POLE MOUNT** - 1 3/8 inch (35mm) standard speaker stand receptacle.
- 4 **FINISH** - Tough road-proof carpet.
- 5 **TRANSDUCER** - Heavy Duty 15" extended range low frequency driver .
- 6 **BUTYL RUBBER SURROUND** - Assures maximum excursion while maintaining tight bass response.
- 7 **TUNED PORTS** - Quiet port design offering linear extended low frequency response.
- 8 **CORNERS** - Heavy Duty Steel corners.

Controls and Functions

Rear Panel Layout



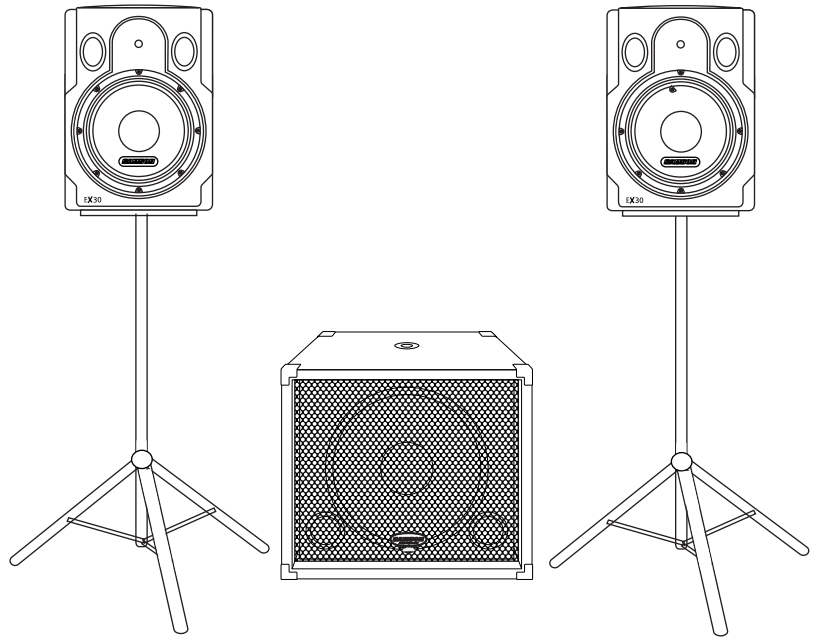
- | | |
|--|---|
| <p>1 LEVEL - Controls the amount of output volume.</p> <p>2 SWEEP - Adjusts the low frequency end range of the High-Pass outputs.</p> <p>3 PEAK LED - Illuminates when the input signal is overloading the power amplifier.</p> <p>4 STEREO/MONO SWITCH - Selects stereo or mono operation.</p> <p>5 LEFT INPUT - Balanced XLR Input.</p> <p>6 RIGHT INPUT - Balanced XLR Input.</p> | <p>7 LEFT OUTPUT - Balanced XLR Output.</p> <p>8 RIGHT OUTPUT - Balanced XLR Output.</p> <p>9 VOLTAGE INDICATION - Designates AC input voltage.</p> <p>10 SERIAL NUMBER - Unit serial number is located here.</p> <p>11 AC INLET - Accepts Standard Power Cord.</p> <p>12 MAINS POWER SWITCH - Activates the dB1500a power amplifier.</p> |
|--|---|

Configuring Your Speaker System

Before you start plugging in cables, you should take a minute to decide how you want to interface your new subwoofer. There are several ways you can interface the dB1500a and dB1800a, however most systems set-ups fall into two categories, Stereo or Mono (Common) sub operation.

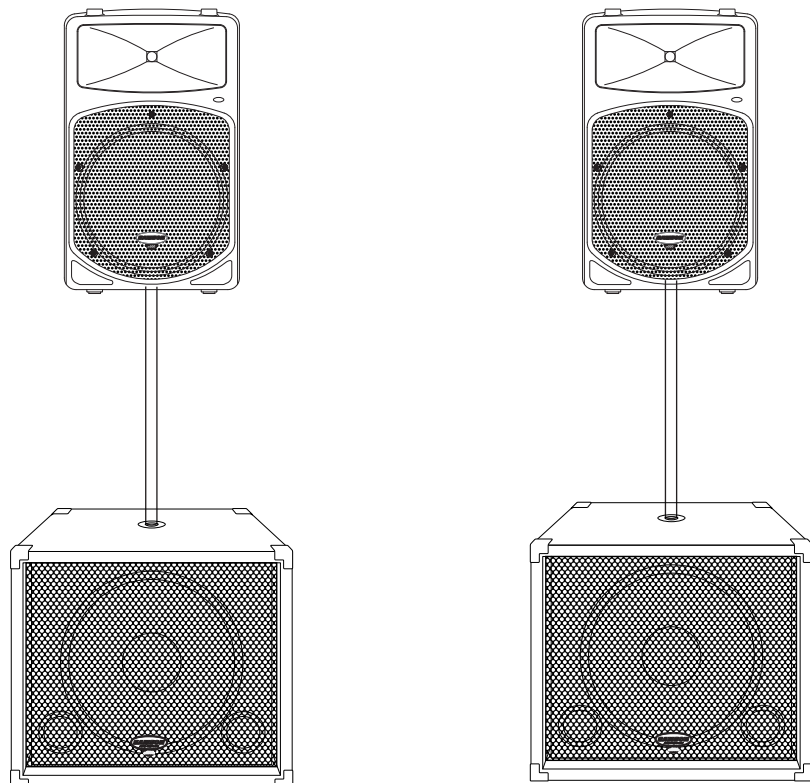
Common Sub Operation

In most cases a common sub, or mono bass operation is desired. This is true for several reasons, but mostly because low frequencies produced by a subwoofer tend to be non-directional. Since low frequency waves take so much space to actually develop, you can't tell if the sub bass is coming from the left or right side, unless of course you're in a very large room. Because of this phenomena, just about all sub bass material is mixed in mono.



Stereo Sub Operation

In larger rooms, as well as in theatres and theme park installations (for low frequency special audio effects), two dB1500a and dB1800a's can be used in stereo.



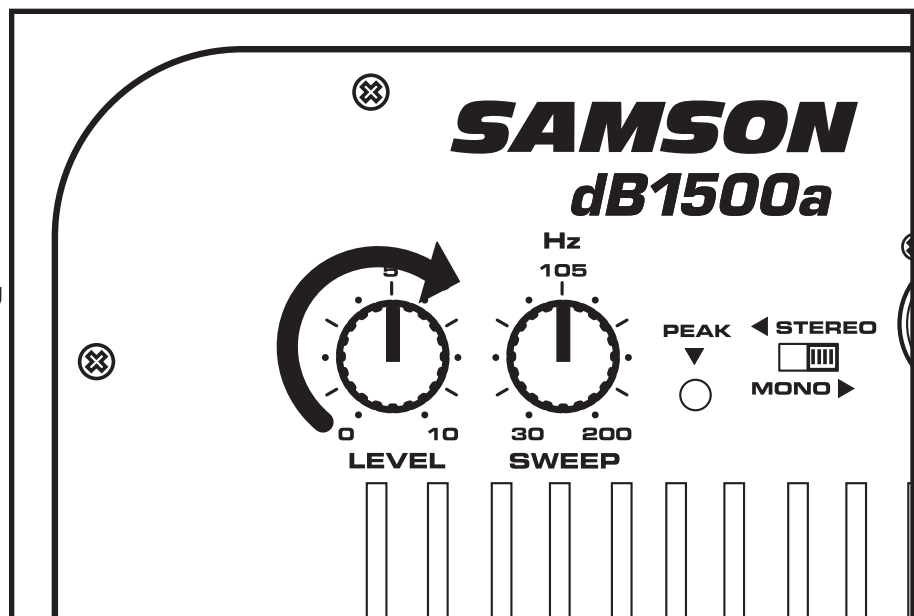
Operating the dB1500a and dB1800a

dB1500a and dB1800a CONTROL PANEL

The dB1500a and dB1800a's control panels provide the connections and user interface to the dB1500a and dB1800a's internal electronic crossover and power amplifier section. The internal amplifier is a 1000 Watt amplifier capable of producing incredible bass output while running super cool. The dB1500a and dB1800a employ an electronic crossover that adjusts the high frequency cutoff point for the subwoofer, and also, a high passed output for your satellite speakers. You will achieve a tremendous benefit in sound quality by running your satellite speakers from the dB1500a and dB1800a's High-Pass outputs. The reason for this is that when your satellite speaker receives the filtered output from the dB1500a and dB1800a, it will no longer be looking at the frequencies below the crossover point. Let's say your satellite speaker has a natural frequency roll-off at 70 Hz, and you are sending full range signal (as low as 20Hz) to the satellite amplifier and speaker. Even though the speaker can only reproduce 70Hz and up, the amplifier is still outputting 20-70Hz, which is wasted power and essentially turns into heat. By using the dB1500a and dB1800a's High-Pass output, the satellite amplifier and speaker never see the frequencies lower than what's set by the Sweep frequency. This means you'll have more power dedicated to the frequencies you want the satellites to deliver, resulting in a much cleaner sound with more headroom.

Level Control

The level control is used to adjust the amount of volume from the dB1500a or dB1800a subwoofer. In addition, the Level control will also control the output volume of the high-passed outputs. Therefore, if you are using the dB1500a or dB1800a without using the high-passed outputs (for example, when the dB1500a or dB1800a are connected to an external crossover) the Level control adjusts the low frequency output of the dB1500a or dB1800a. If you are using the dB1500a or dB1800a's internal electronic crossover to run satellite speakers, then the Level control will adjust the overall system volume.



Sweep

The Sweep control selects the upper range cutoff frequency of the dB1500a and dB1800a's internal electronic crossover. The dB1500a and dB1800a's crossover provides a 12dB per octave Linkwitz- Riley filter curve. The Sweep limits the high frequency that the dB1500a and dB1800a will reproduce, and at the same time, the high-passed output tracks the selected crossover frequency as the lower limit frequency.

Stereo / Mono Switch

The Stereo/ Mono switch selects either stereo or mono bass operation. When set to MONO, the dB1500a and dB1800a will combine, or sum, the left and right signals and send a mono signal to the amplifier of the dB1500a and dB1800a. In this mode, the original stereo signal is passed through the left and right outputs only now the stereo signal is filtered at the frequency set by the Sweep control. In Stereo mode, the low frequency signal is not summed, and you can choose either the left or right input accordingly for each side of the system.

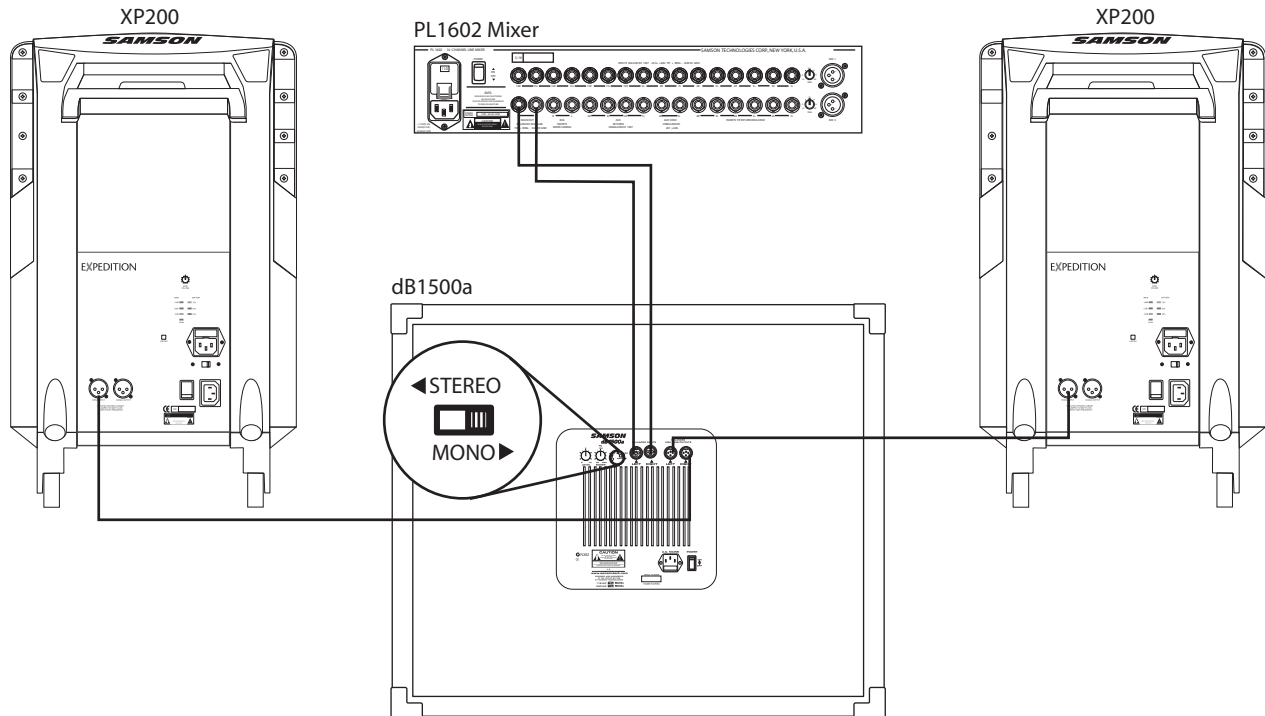
The In and The Outs

The dB1500a and dB1800a features electronically balanced inputs and outputs so that any possible HUM problems are greatly reduced when interfacing to other equipment. XLR connectors with industry standard pin-outs are used for easy interface from mixer and other professional audio gear. A detailed wiring diagram can be found in the section "dB1500a and dB1800a Connections" on page 11 of this manual.

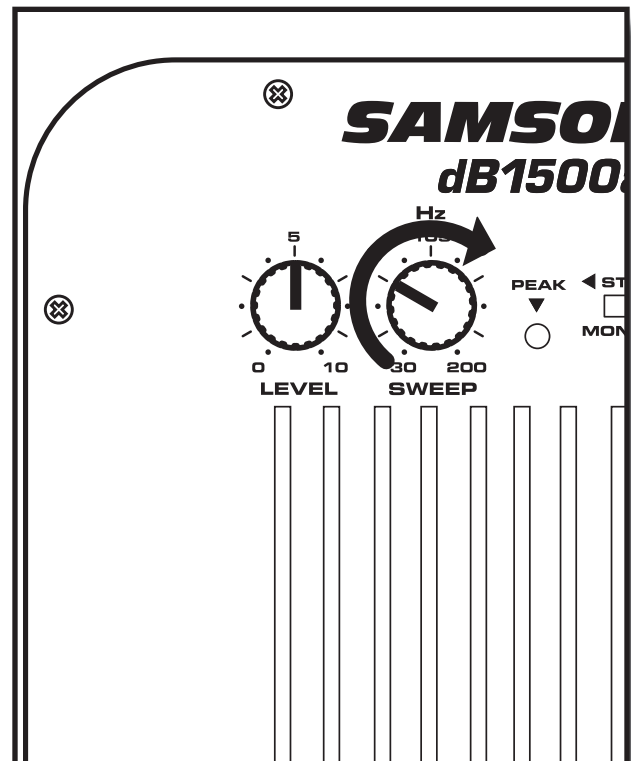
Operating the dB1500a and dB1800a

dB1500a and dB1800a MONO SUB WITH POWERED SATELLITES

The dB1500a or dB1800a is a perfect addition to any pair of powered full range enclosures like the Samson dB500a, XP200 and XP300. Below is a typical system set-up using the dB1500a and dB1800a with a mixer and a pair of powered satellite loudspeakers. The dB1500a and dB1800a's input and outputs utilize industry standard XLR connectors. For a detailed wiring diagram, see the section "dB1500a and dB1800a Connections" on page 11. Follow the steps below the diagram to set up your system.



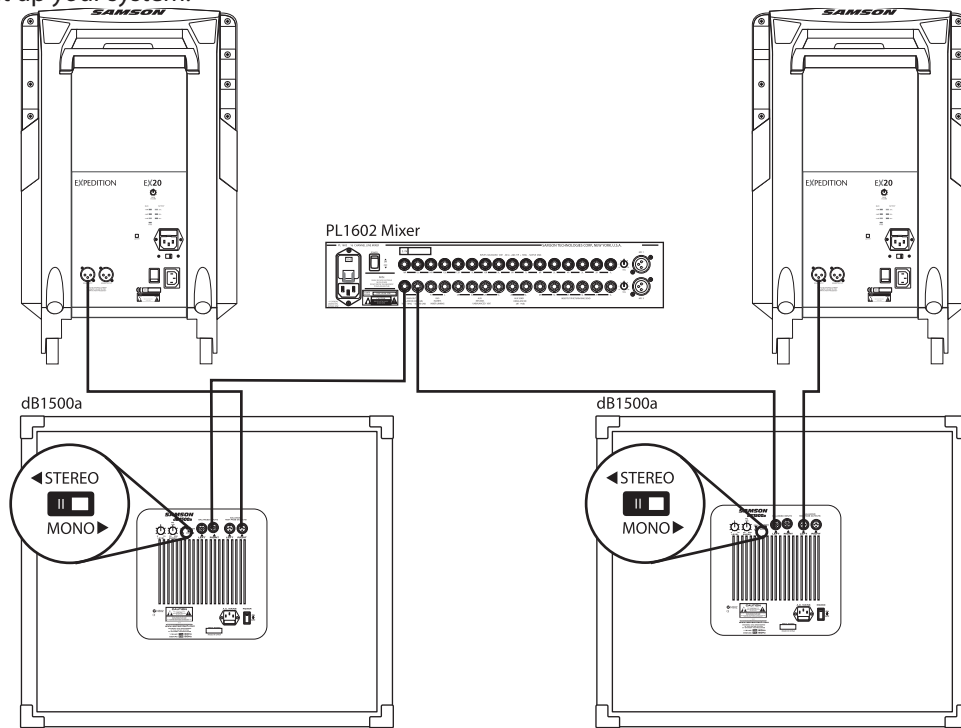
- Connect the mixer's left output to the dB1500a and dB1800a's left input and the mixer's right output to the dB1500a and dB1800a's right input. Now connect the dB1500a and dB1800a's left output to the input of the left side powered satellite, and the dB1500a and dB1800a's right output to the input of the right side satellite. Switch the Stereo/Mono selector switch to the MONO position.
- Now adjust the crossover SWEEP to the desired frequency. For the db500a select 60-80Hz and for the Expedition XP200 & XP300 select 80-100Hz. If you are using another brand of powered speaker as satellites with the dB1500a and dB1800a, consult their respective owners manuals for the recommended crossover point.
- Lower your mixer's master outputs to all the way off. Now set the level of your powered satellites up to the normal operating level. Run an audio signal (like some music from a CD) through your mixer and raise the level to a comfortable listening volume. Next, slowly raise the dB1500a or dB1800a Level control and listen to the low frequency output. Adjust the dB1500a or dB1800a to the level of low frequency output that you like. Now, when you raise and lower your mixer's output, the dB1500a or dB1800a and satellites will track at the same relative volume.



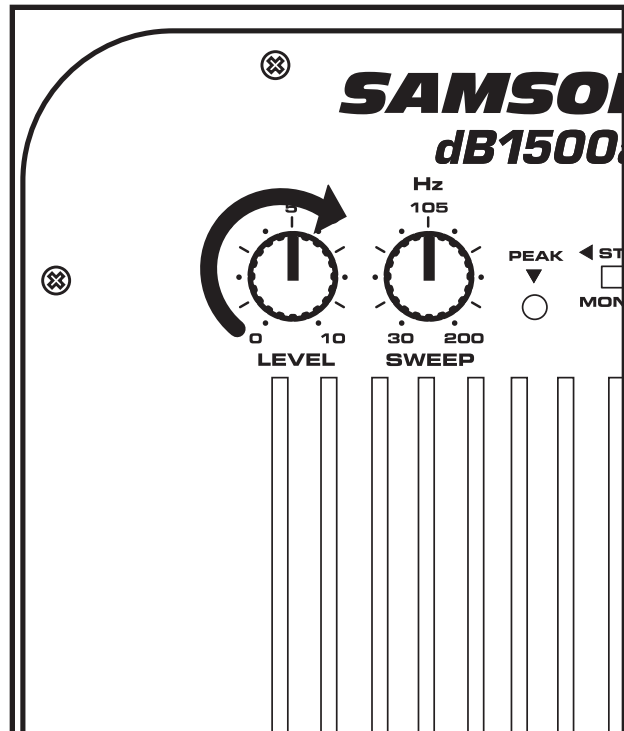
Operating the dB1500a and dB1800a

dB1500a and dB1800a STEREO SUB WITH POWERED SATELLITES

Two dB1500a or dB1800a's can be used with any pair of powered full range enclosures like the Samson dB500a, XP200 and XP300. Below is a typical system set-up using two dB1500a and dB1800a's with a mixer and a pair of powered satellite loudspeakers. The dB1500a and dB1800a's inputs and outputs utilize industry standard XLR connectors. For a detailed wiring diagram, see the section "dB1500a and dB1800a Connections" on page 11. Follow the steps below the diagram to set up your system.



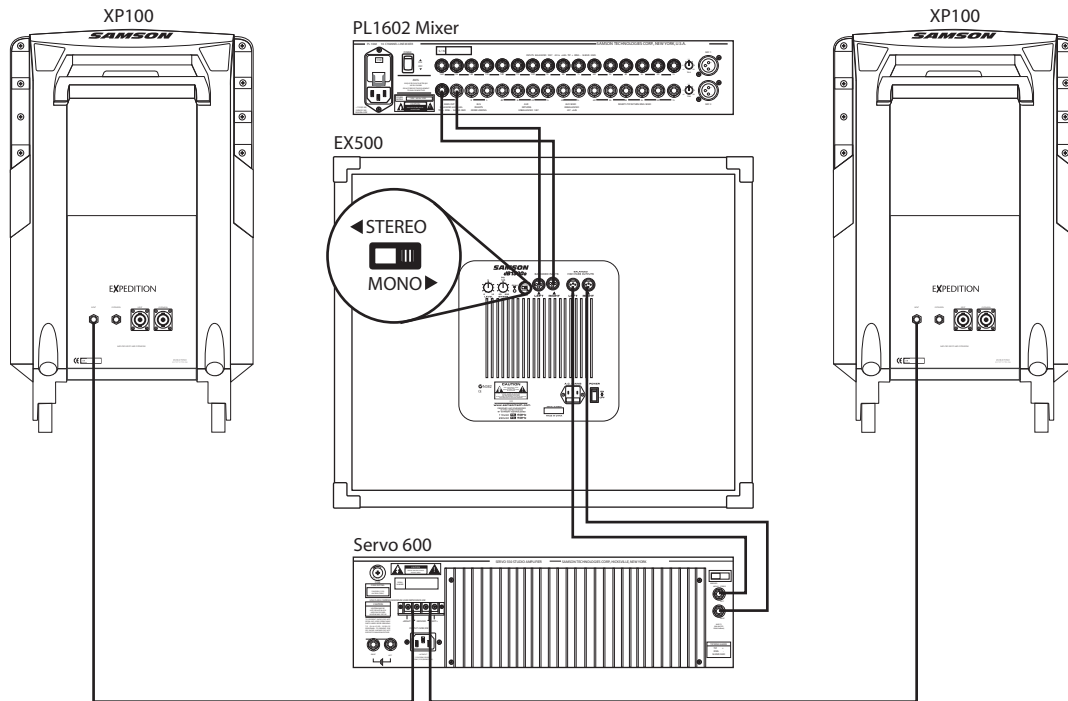
- Connect the mixer's left output to the left-side dB1500a and dB1800a's left input and the mixer's right output to the right-side dB1500a and dB1800a's right input. Now connect the left-side dB1500a and dB1800a's left output to the input of the left powered satellite, and right-side dB1500a and dB1800a's right output to the input of the right satellite. Switch both the Stereo/Mono selector switches to the Stereo position.
- Now adjust the crossover SWEEP to the desired frequency. For the dB500a select 60-80Hz and for the Expedition XP200 & XP300 select 80-100Hz. If you are using another brand of powered speaker as satellites with the dB1500a and dB1800a, consult their respective owners manuals for the recommended crossover point.
- Lower your mixer's master outputs to all the way off. Now set the level of your powered satellites up to the normal operating level. Run an audio signal (like some music from a CD) through your mixer and raise the level to a comfortable listening volume. Now slowly raise the dB1500a and dB1800a Level control and listen to the low frequency output. Adjust the dB1500a and dB1800a to the level to low frequency output that you like. Now when you raise and lower your mixer's output, the dB1500a and dB1800a and satellites will track at the same relative volume.



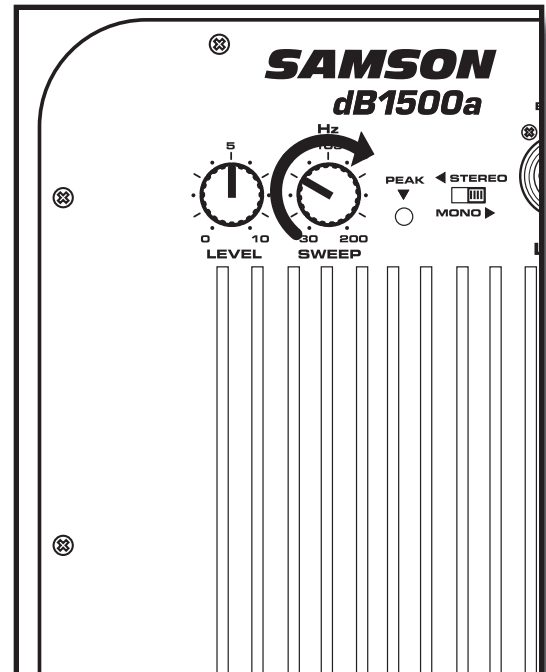
Operating the dB1500a and dB1800a

dB1500a and dB1800a MONO SUB WITH PASSIVE SATELLITES

If your system uses a standard stereo power amp and passive full range enclosures, like the Samson dB500 and XP100, the dB1500a or dB1800a is easily interfaced for extended bass. Below is a typical system set-up using the dB1500a and dB1800a with a mixer, stereo power amp and a pair of passive satellite loudspeakers. The dB1500a and dB1800a's inputs and outputs utilize industry standard XLR connectors. For a detailed wiring diagram, see the section "dB1500a and dB1800a Connections" on page 1. Follow the steps below the diagram to set up your system.



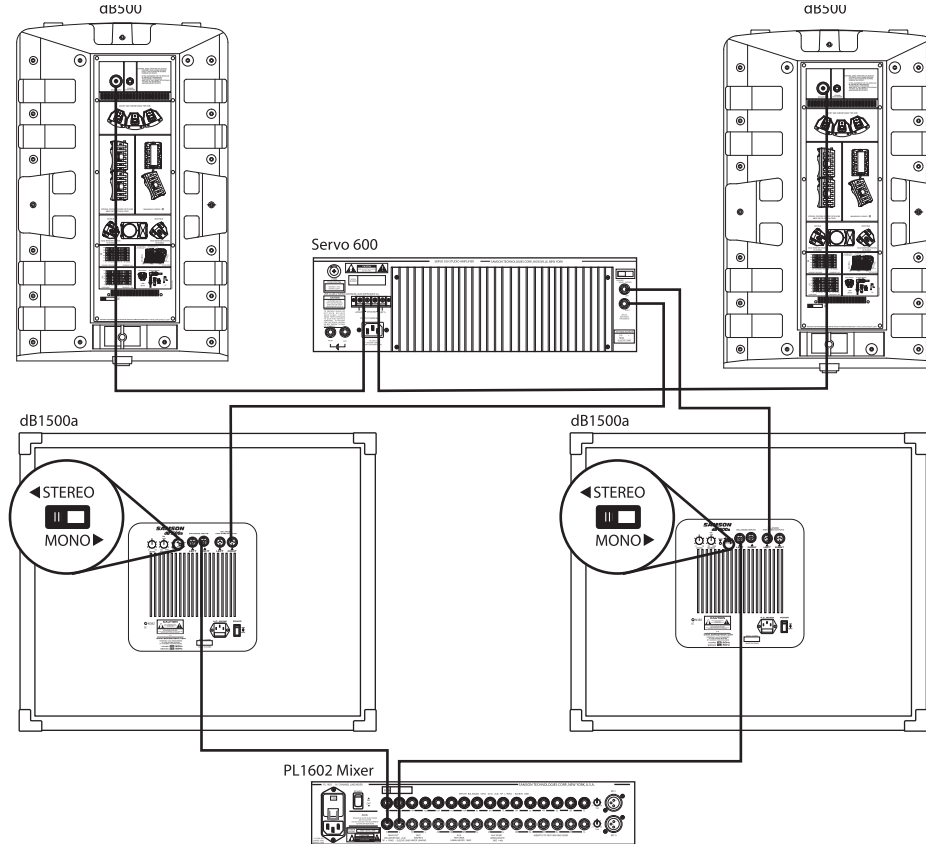
- Lower your mixer's master outputs to all the way off.
- Connect the mixer's left output to the dB1500a and dB1800a's left input and the mixer's right output to the dB1500a and dB1800a's right input. Now connect the dB1500a and dB1800a's left outputs to the left side input of your power amp, and dB1500a and dB1800a's right output to the right side input of your power amp. Run your speaker cables from the power amp's outputs to the left and right satellite speakers. Switch the Stereo/Mono selector switch to the MONO position.
- Now adjust the crossover SWEEP to the desired frequency. For the dB500a select 60-80Hz and for the Expedition XP200 & XP300 select 80-100Hz. If you are using another brand of powered speaker as satellites with the dB1500a and dB1800a, consult their respective owners manuals for the recommended crossover point.
- Set the level of your power amplifiers to the normal operating level. Run an audio signal (like some music from a CD) through your mixer and raise the level to a comfortable listening volume. Now, slowly raise the dB1500a and dB1800a Level control and listen to the low frequency output. Adjust the dB1500a and dB1800a to the level of low frequency output that you like. Now when you raise and lower your mixer's output, the dB1500a and dB1800a and satellites will track at the same relative volume.



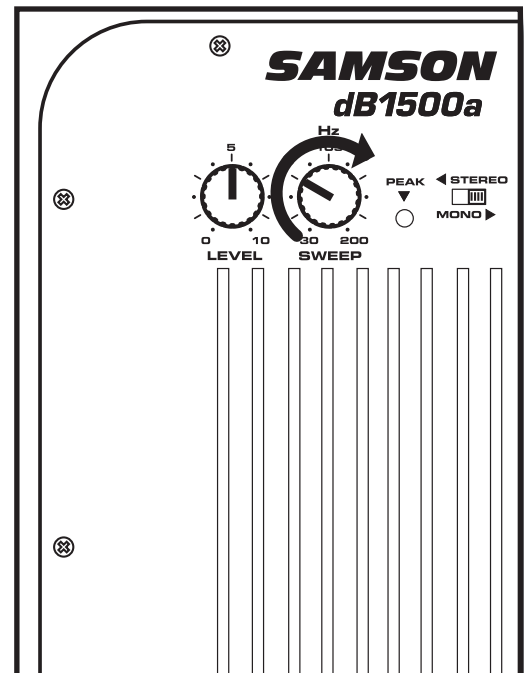
Operating the dB1500a and dB1800a

dB1500a and dB1800a STEREO SUB WITH PASSIVE SATELLITES

If your system uses a standard stereo power amp and passive full range enclosures, like the Samson dB500 and XP100, the dB1500a and dB1800a is easily interfaced for extended bass. Below is a typical system set-up using the dB1500a and dB1800a with a mixer, stereo power amp and a pair of passive satellite loudspeakers. The dB1500a and dB1800a's inputs and outputs utilize industry standard XLR connectors. For a detailed wiring diagram, see the section "dB1500a and dB1800a Connections" on . Follow the steps below the diagram to set up your system.



- Lower your mixer's master outputs to all the way off.
- Connect the mixer's left output to the left-side dB1500a and dB1800a's left input and the mixer's right output to the right-side dB1500a and dB1800a's right input. Now connect the left-side dB1500a and dB1800a's left output to the left input of the power amplifier and the dB1500a and dB1800a's right output to the power amp's right input. Run your speaker cables from the power amp's outputs to the left and right satellite speakers. Switch both the Stereo/Mono selector switches to the Stereo position.
- Now adjust the crossover SWEEP to the desired frequency. For the dB500a select 60-80Hz and for the Expedition XP100 select 80-100Hz. If you are using another brand of speakers as satellites with the dB1500a and dB1800a, consult their respective owners manuals for the recommended crossover point.
- Set the level of your power amplifiers to the normal operating level. Run an audio signal (like some music from a CD) through your mixer and raise the level to a comfortable listening level. Now slowly raise the dB1500a and dB1800a Level control and listen to the low frequency output. Adjust the dB1500a and dB1800a to the level of low frequency output that you like. Now when you raise and lower your mixer's output, the dB1500a and dB1800a and satellites will track at the same relative volume.

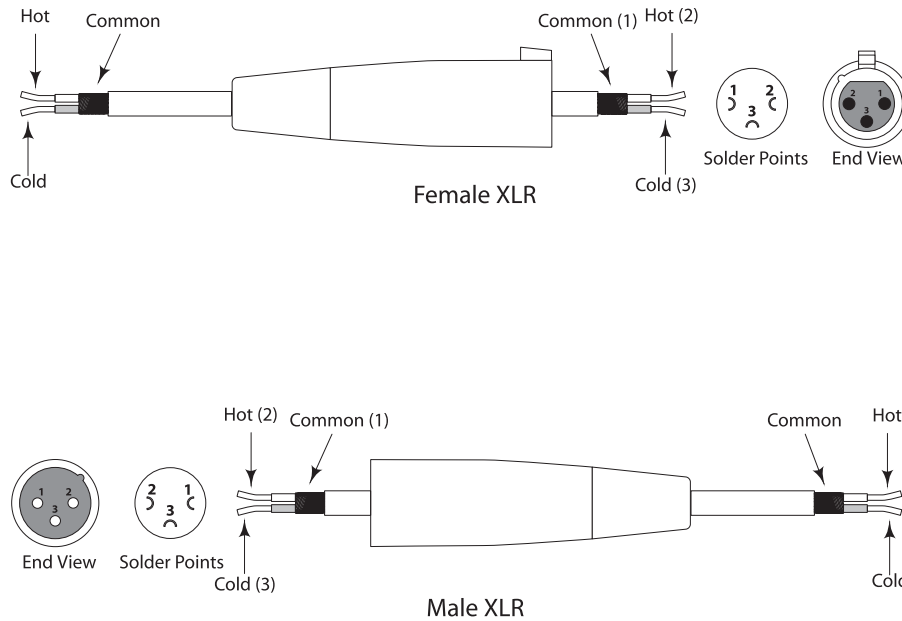


dB1500a and dB1800a Connections

dB1500a and dB1800a XLR WIRING DIAGRAM

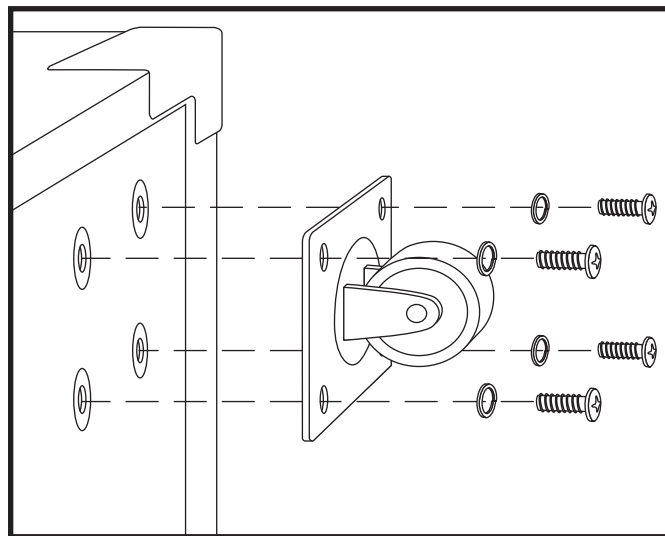
The dB1500a and dB1800a's input and outputs utilize industry standard XLR connectors. Below is a detailed wiring diagram for the dB1500a and dB1800a XLR connectors.

XLR Balanced Wiring Guide



CASTER INSTALLATION

- Locate one caster and four each of the supplied screws and lock washers.
- Hold the caster in place and hand start the screws. Be careful to ensure that the screws are on the proper thread chase. **DO NOT PUSH TEE NUT INTO ENCLOSURE.**
- Use a screw driver to tighten the four screws. Be careful not to over tighten the screws.
- Repeat the steps above for the remaining three casters.



Introduction

Merci d'avoir choisi les Subwoofers actifs Samson dB1500a ou dB1800a. Les dB1500a et dB1800a sont des Subwoofers actifs compacts équipés de Woofers renforcés spécialement conçus et d'un amplificateur haute puissance. Ils constituent la solution par excellence pour étendre la réponse dans les basses fréquences de n'importe quel système de sonorisation. Les Woofers sont montés à l'avant, protégés par une grille en acier ultra-résistante, et l'amplificateur intégré est encastré à l'arrière du baffle. Extrêmement puissants, les amplificateurs des dB1500a et dB1800a peuvent délivrer une puissance de 500 Watts efficace (1000 Watts en crête). Ils sont également pourvus d'un filtre actif stéréo intégré à fréquence réglable permettant la connexion d'enceintes satellites large bande. Les Woofers à longue excursion, d'un diamètre de 38 cm (15 pouces) pour les dB1500a et de 46 cm (18 pouces) pour les dB1800a, sont équipés de saladiers massifs, de bobines imposantes, de membranes ondulées et des suspensions en copolymère de butyle, ce qui permet de délivrer des basses fréquences précises, puissantes et définies. La section amplificatrice des dB1500a et dB1800a est munie de connecteurs XLR, ce qui facilite les connexions. La baffle ultra-résistant en contreplaqué de 19 mm avec cornières en acier, poignées surdimensionnées, revêtement moquetté ultra-résistant et roulettes pratiques permet de compter sur les dB1500a et dB1800a en tournée. Lorsque utilisés dans des systèmes fixes, ces Subwoofers compacts et peu encombrants produisent des basses fréquences très puissantes. Les dB1500a et dB1800a sont d'excellentes enceintes d'appoint et permettent d'optimiser la puissance et la qualité sonore des enceintes de la série dB, des systèmes de la série Expedition ou de tout système de sonorisation nécessitant une réponse étendue dans les basses fréquences. Avec les dB1500a et dB1800a, vous pouvez obtenir des basses fréquences percutantes avec n'importe quel système de sonorisation.

Dans ces pages, vous trouverez une description détaillée de toutes les fonctions des dB1500a et dB1800a, une description des faces avant et arrière, les instructions d'utilisation, des suggestions d'applications et les caractéristiques techniques.

Vous trouverez également une carte de garantie : n'oubliez pas de la compléter et de nous l'envoyer afin que vous puissiez bénéficier de l'assistance technique en ligne et recevoir les informations concernant les produits Samson. Pensez également à consulter notre site Internet (www.samsontech.com) pour une information complète sur toute notre gamme de produits.

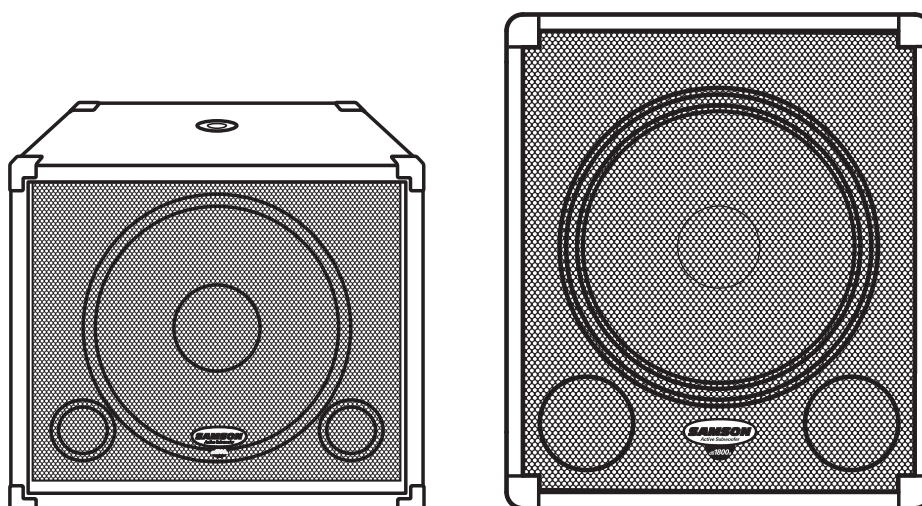
Installez votre dB1500a ou dB1800a avec soin et veillez à assurer une ventilation suffisante. Nous vous conseillons de noter le numéro de série ci-dessous pour toute référence ultérieure :

Numéro de série : _____

Date d'achat : _____

Si vous devez faire réparer votre appareil, vous devez tout d'abord obtenir un numéro de retour auprès de Samson. Sans ce numéro, l'appareil sera refusé. Contactez Samson aux USA au : 1-800-3SAMSON (1-800-372-6766) ou contactez votre revendeur. Conservez l'emballage d'origine afin de l'utiliser en cas de retour.

Caractéristiques principales du dB1500a et dB1800a

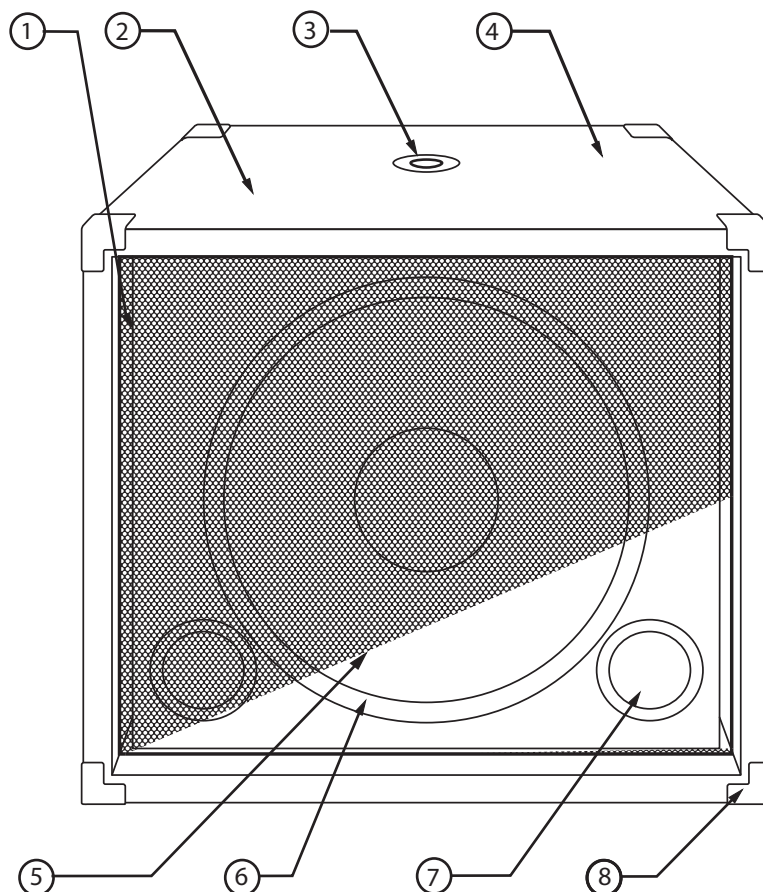


Les Subwoofers actifs Samson dB1500a et dB1800a bénéficient des plus récentes innovations technologiques dans le domaine des enceintes et des amplificateurs. Voici quelques-unes des caractéristiques générales :

- Les deux Subwoofers sont équipés d'un Woofer haute puissance conçu spécialement, pourvu d'une structure massive, d'un saladier en acier renforcé et d'une membrane traitée avec suspension en copolymère de butyle. Les dB1500a sont munis d'un Woofer de 38 cm (15 pouces) avec une bobine de 65 mm (2,5 pouces) et un aimant de 1,9 kg. Les dB1800a sont équipés d'un Woofer de 46 cm (18 pouces) avec une bobine de 75 mm (3 pouces) et un aimant de 2,9 kg.
- Amplificateur de puissance de 500 Watts avec contrôleur
- Sorties passe-haut symétriques pour enceintes satellites
- Filtre actif réglable 30 - 200 Hz
- Sélecteur de mode Stéréo/Mono
- Réglage du volume
- Roulettes robustes situées à l'arrière
- Poignées de transport de très grande taille
- Embase de fixation de pieds pour enceinte satellite de 35 mm
- Construction en contre-plaqué de 11,5 mm avec renforts internes et finition extérieure capitonnée robuste
- Garantie de trois ans (les conditions de garantie peuvent varier d'un pays à l'autre (veuillez consulter votre revendeur).

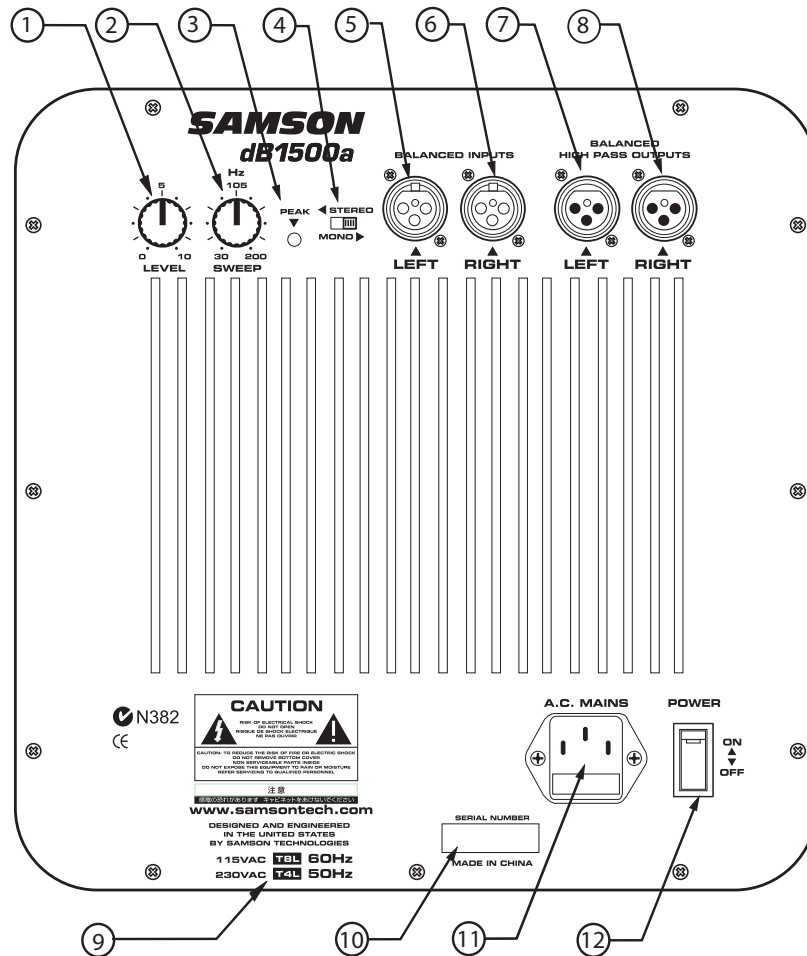
Réglages et fonctions

Face avant



- 1 GRILLE DE PROTECTION** - Construction en acier robuste pour une protection durable et élégante de l'enceinte.
- 2 BOÎTIER** - Construction contre-plaqué 11,5 mm robuste.
- 3 EMBASE DE FIXATION POUR PIEDS** - Format standard de 35 mm pour support d'enceinte satellite.
- 4 FINITION** - Finition capitonnée solide très résistante.
- 5 TRANSDUCTEUR** - Haut-parleur basse fréquence haute-fidélité à réponse étendue dans les graves de 15" (38 cm)
- 6 SUSPENSION EN BUTYLCAOUTCHOUC** - Assure une élongation maximale de la membrane tout en conservant une réponse puissante dans les graves.
- 7 ÉVENTS ACCORDÉS** - Évents accordés discrets offrant une réponse linéaire étendue dans les graves.
- 8 CORNIÈRES** - Cornières robustes en acier.

Face arrière



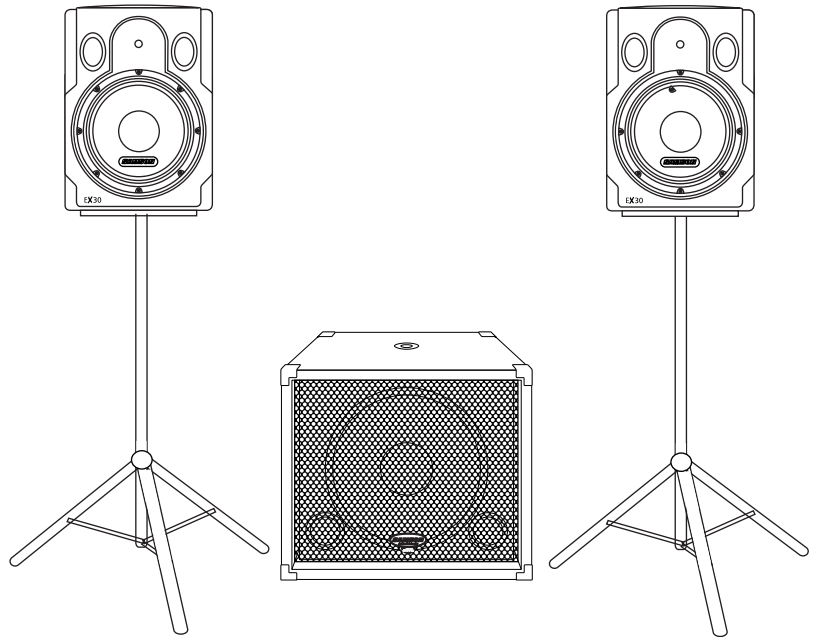
- | | |
|---|--|
| <p>1 LEVEL - Règle le niveau de sortie du signal.</p> <p>2 FRÉQUENCE DE COUPURE - Détermine la fréquence de coupure des sorties passe-haut.</p> <p>3 TÉMOIN PEAK - S'allume lorsque le signal d'entrée sature l'amplificateur de puissance.</p> <p>4 SÉLECTEUR STEREO/MONO - Permet de sélectionner le mode stéréo ou mono.</p> <p>5 ENTRÉE GAUCHE - Entrée symétrique XLR.</p> <p>6 ENTRÉE DROITE - Entrée symétrique XLR.</p> | <p>7 SORTIE GAUCHE - Sortie symétrique XLR.</p> <p>8 SORTIE DROITE - Sortie symétrique XLR.</p> <p>9 NUMÉRO DE SÉRIE - Indique le numéro de série de l'appareil.</p> <p>10 INFORMATIONS SUR LA TENSION SECTEUR - Indique la tension secteur à respecter.</p> <p>11 EMBASE SECTEUR - Accepte la connexion d'un cordon secteur standard.</p> <p>12 INTERRUPTEUR POWER - Place le Subwoofer dB1500a sous ou hors tension.</p> |
|---|--|

Configuration de vos enceintes

Avant de procéder à la connexion des câbles, il vous faut décider comment vous souhaitez configurer votre nouveau Subwoofer. Il existe plusieurs façons de connecter les dB1500a et dB1800a. Toutefois, dans la plupart des systèmes de sonorisation, les Subwoofers sont configurés soit en mono (Sub commun), soit en stéréo.

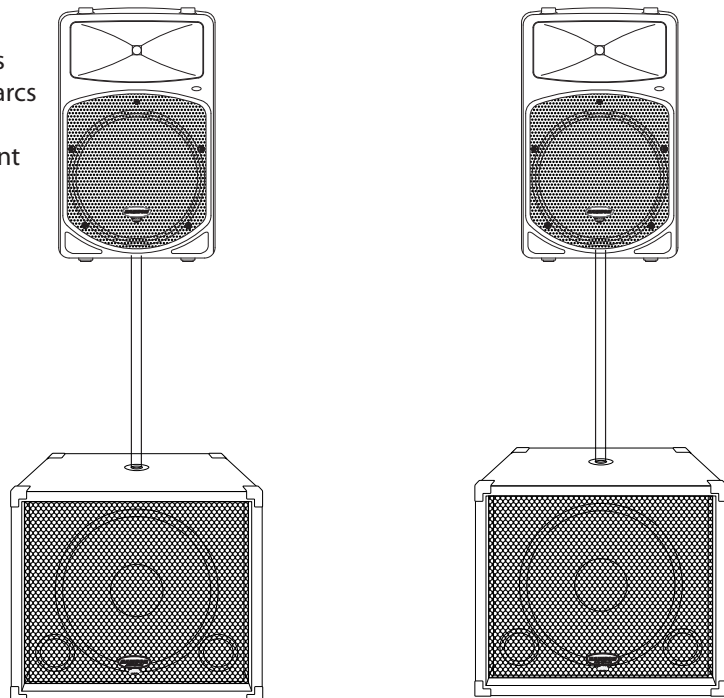
Utilisation en mode mono

Dans la majorité des cas, un seul Subwoofer (mode mono) est utilisé, et ce pour plusieurs raisons. La raison principale étant que les fréquences graves produites par un Subwoofer tendent à être non-directionnelles. Comme les ondes basse fréquence se diffusent sur un grand espace, il est impossible de savoir si elles viennent du côté gauche ou du côté droit, à moins, évidemment, de se trouver dans une grande pièce. À cause de ce phénomène, quasiment tous les signaux graves produits par un Subwoofer sont reproduits en mono.



Utilisation en mode stéréo

Dans les salles plus grandes, ainsi que dans les systèmes de sonorisation de cinémas ou des parcs d'attractions (pour les effets spéciaux basse fréquence), deux dB1500a ou dB1800a peuvent être utilisés en stéréo.



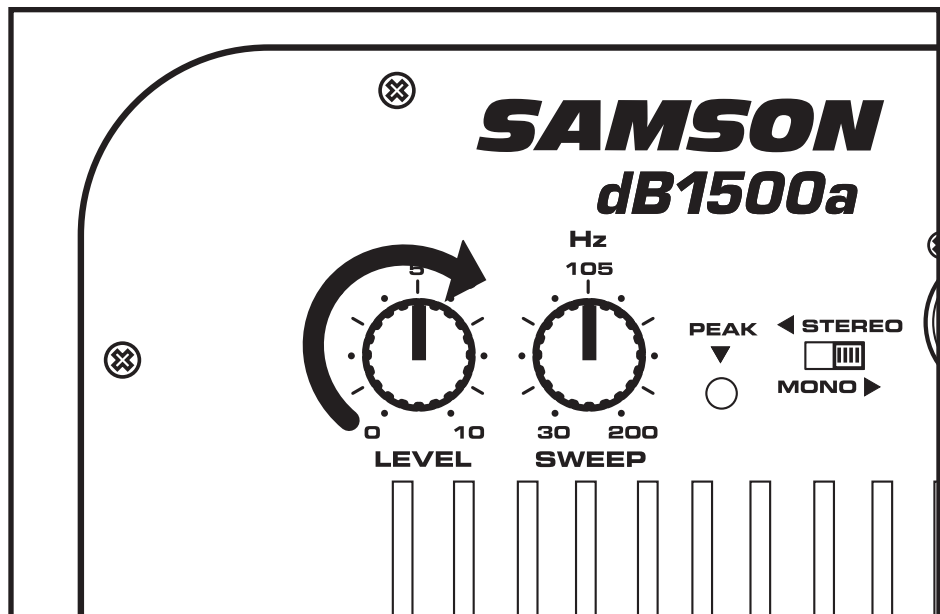
Utilisation du dB1500a et dB1800a

PANNEAU DE RÉGLAGE DU dB1500a

La face arrière des dB1500a et dB1800a regroupe les connexions et l'interface utilisateur du filtre électronique intégré et de l'amplificateur de puissance. L'amplificateur interne est un amplificateur de 500 Watts avec contrôleur offrant une réponse dans les graves exceptionnelle tout en gardant une température très stable, et ce, pour un poids inférieur de moitié à celui des amplificateurs de puissance conventionnels. Les dB1500a et dB1800a sont équipés d'un filtre électronique permettant de régler la fréquence de coupure du Subwoofer, ainsi que d'une sortie passe-haut pour vos satellites. Vous pouvez améliorer grandement la qualité sonore en reliant vos satellites aux sorties passe-haut des dB1500a et dB1800a — ceux-ci reçoivent le signal de sortie filtré et ne reproduisent plus les fréquences en deçà de la fréquence de coupure. Même si l'enceinte peut reproduire uniquement les fréquences de 70 Hz et supérieures, l'amplificateur continue à délivrer un signal dont la fréquence est inférieure à 70 Hz, ce qui gaspille de la puissance et dissipe de la chaleur. En utilisant les sorties High-Pass du dB1500a et du dB1800a, l'amplificateur et les enceintes satellites ne reçoivent jamais les fréquences inférieures à la fréquence de coupure du bouton Sweep. Vous augmentez ainsi la puissance disponible dédiée uniquement aux fréquences reproduites par l'enceinte et obtenez un son beaucoup plus clair, un meilleur rendement et une réserve dynamique accrue.

Potentiomètre Level

Le réglage de volume détermine le niveau sonore des Subwoofers dB1500a et dB1800a. C'est pour-quoi, si vous utilisez le dB1500a sans utiliser les sorties passe-haut (lorsque le dB1500a est connecté à un filtre actif externe, par exemple), le potentiomètre Level sert à régler le niveau du signal basse fréquence délivré par le dB1500a. Ainsi, si vous utilisez le dB1500a ou le dB1800a sans les sorties passe-haut (comme par exemple, lorsqu'il est relié à un filtre externe), le réglage de volume permet de régler le niveau des basses fréquences du Subwoofer. Si vous utilisez le filtre électronique intégré du dB1500a ou dB1800a pour vos satellites, le réglage de volume détermine alors le niveau sonore de l'ensemble du système.



Potentiomètre Sweep

Le réglage Sweep permet de sélectionner la fréquence de coupure maximale du filtre électronique intégré du dB1500a ou dB1800a. Il s'agit d'un filtre de type Linkwitz-Riley à 12 dB/octave. Le réglage Sweep détermine la fréquence maximale que peut reproduire le dB1500a ou dB1800a et, du même fait, la fréquence minimale que peuvent reproduire les satellites.

Sélecteur Stereo/Mono

Le sélecteur Stereo/Mono permet de configurer le Subwoofer en mode mono ou stéréo. Lorsque configurés en MONO, les dB1500a et dB1800a produisent une somme mono des signaux gauche et droit et envoient ce signal mono à l'amplificateur. En mode mono, le signal initial reste stéréo uniquement sur les sorties satellites gauche et droite, après filtrage (selon la fréquence de coupure définie par le réglage Sweep). En mode stéréo, le signal du Subwoofer reste stéréo, et vous pouvez choisir l'entrée gauche ou l'entrée droite pour chaque côté du système pour connecter vos deux Subwoofers.

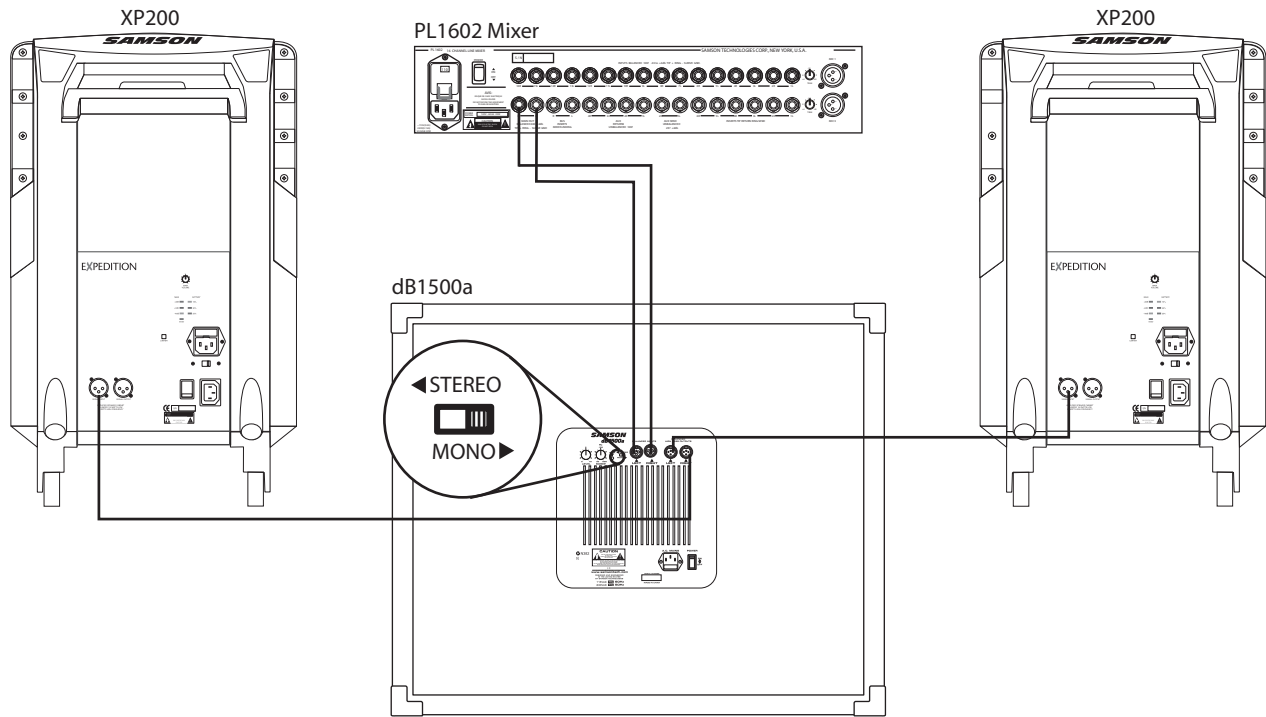
Entrées/Sorties

Les dB1500a et dB1800a sont munis d'entrées et de sorties symétriques afin de réduire de façon importante les ronflements. Des connecteurs XLR standard sont utilisés pour connecter aisément le dB1500a à une console de mixage ou autre appareil audio professionnel. Vous trouverez un schéma de câblage détaillé dans la section "Connexions des dB1500a et dB1800a", à la page 22.

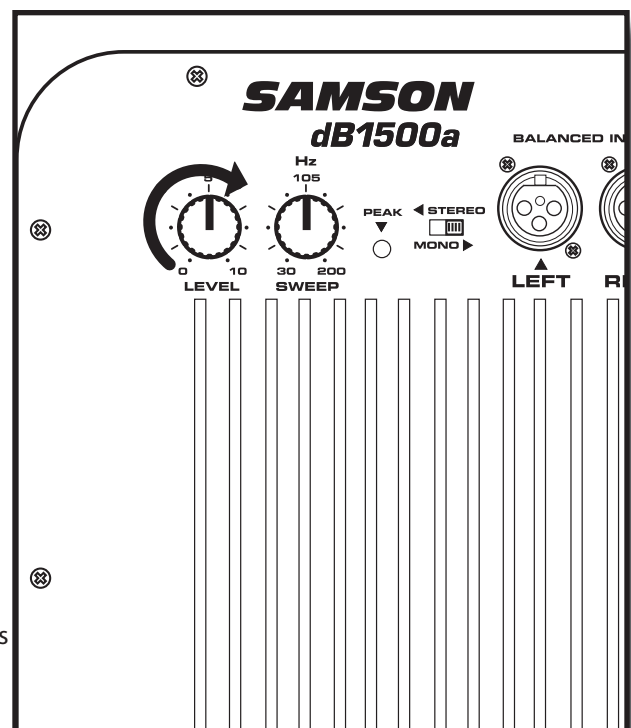
Utilisation du dB1500a et dB1800a

UTILISATION MONO DU dB1500a AVEC DES ENCEINTES SATELLITES AMPLIFIÉES

Les dB1500a et dB1800a sont d'excellents Subs d'appoint pour toutes les enceintes actives large bande telles que les Samson dB500a, XP200 et XP300. Voici une configuration type composée d'un dB1500a ou dB1800a, d'une console de mixage et d'une paire de satellites actifs. Les entrées et les sorties du dB1500a ou dB1800a utilisent des connecteurs XLR standard. Vous trouverez un schéma de câblage détaillé dans la section "Connexions des dB1500a et dB1800a", à la page 22.



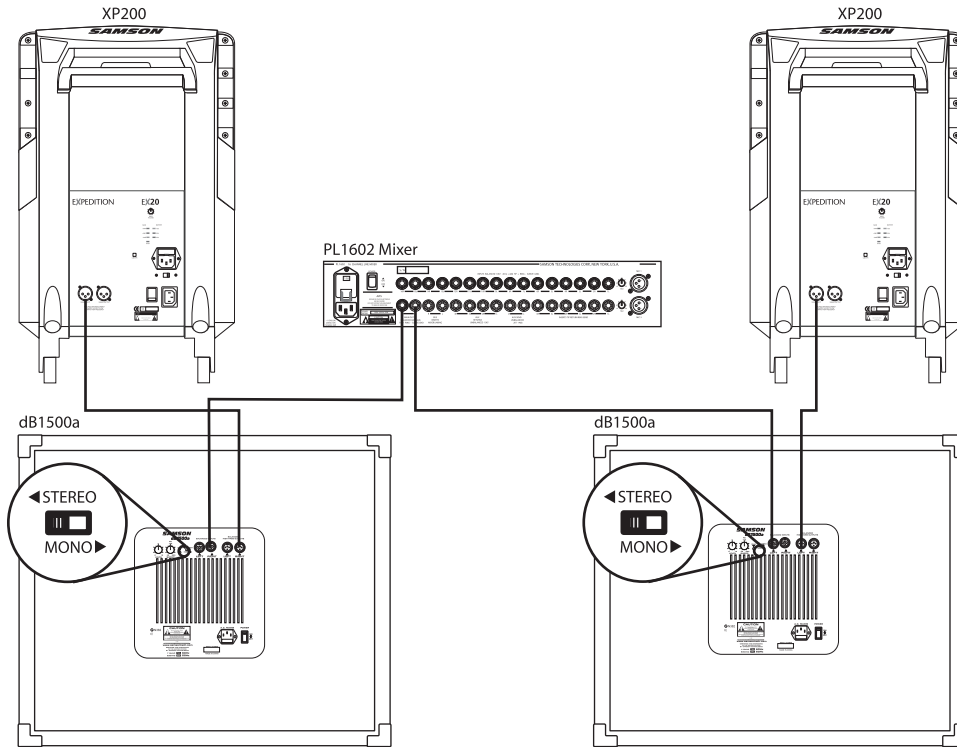
- Reliez la sortie gauche de la console à l'entrée gauche du dB1500a ou dB1800a, et la sortie droite de la console à l'entrée droite du dB1500a ou dB1800a. Reliez ensuite la sortie gauche du dB1500a ou dB1800a à l'entrée du satellite gauche, et la sortie droite du dB1500a ou dB1800a à l'entrée du satellite droit. Placez le sélecteur Stéréo/Mono en position MONO.
- Réglez le potentiomètre SWEEP sur la fréquence de coupure souhaitée. Pour les enceintes Expedition EX20 & EX30, sélectionnez 80-100 Hz. Si vous utilisez une marque différente de satellites actifs avec les dB1500a et dB1800a, consultez leur mode d'emploi pour connaître la fréquence de coupure recommandée.
- Baissez complètement le niveau des sorties générales de votre mélangeur, puis réglez le niveau de vos enceintes satellites amplifiées sur le niveau de fonctionnement normal. Affectez un signal audio (provenant d'un CD, par exemple) à votre mélangeur et réglez le niveau sur un niveau d'écoute confortable. Augmentez progressivement le niveau des basses fréquences à l'aide du réglage Level du dB1500a ou dB1800a, jusqu'à ce que vous obteniez le niveau souhaité. Le niveau de sortie du dB1500a ou dB1800a et des satellites demeure ensuite proportionnel à celui de la console de mixage.



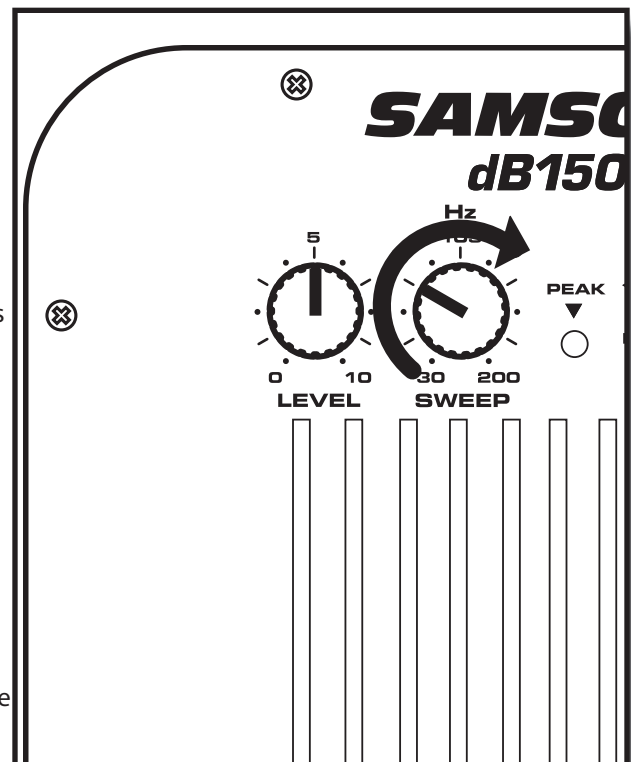
Utilisation du dB1500a et dB1800a

UTILISATION STÉRÉO DU dB1500a AVEC DES ENCEINTES SATELLITES AMPLIFIÉES

Deux dB1500a ou dB1800a peuvent être utilisés avec n'importe quelle paire d'enceintes actives large bande, comme les Samson dB500a, XP200 et XP300. Voici une configuration type composée de deux dB1500a ou dB1800a, d'une console de mixage et d'une paire de satellites actifs. Les entrées et les sorties du dB1500a ou dB1800a utilisent des connecteurs XLR standard. Vous trouverez un schéma de câblage détaillé dans la section "Connexions des dB1500a et dB1800a", à la page 22. Suivez la procédure décrite sous le schéma pour configurer votre système.



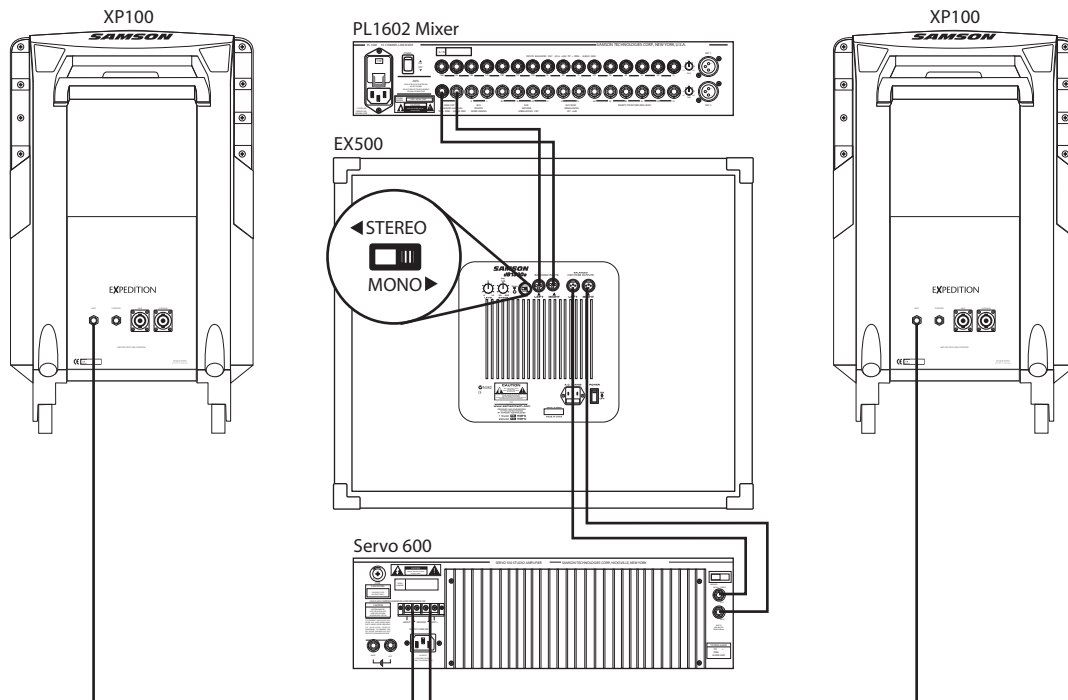
- Reliez la sortie gauche de la console à l'entrée gauche du dB1500a ou dB1800a, et la sortie droite de la console à l'entrée droite du dB1500a ou dB1800a. Reliez ensuite la sortie gauche du dB1500a ou dB1800a à l'entrée du satellite gauche, et la sortie droite du dB1500a ou dB1800a à l'entrée du satellite droit. Placez les deux sélecteurs Stéréo/Mono en position Stereo.
- Réglez le potentiomètre SWEEP sur la fréquence de coupure souhaitée. Pour les enceintes Expedition EX20 & EX30, sélectionnez 80-100 Hz. Si vous utilisez une marque différente de satellites actifs avec les dB1500a et dB1800a, consultez leur mode d'emploi pour connaître la fréquence de coupure recommandée.
- Baissez complètement le niveau des sorties générales de votre mélangeur, puis réglez le niveau de vos enceintes satellites amplifiées sur le niveau de fonctionnement normal. Affectez un signal audio (provenant d'un CD, par exemple) à votre mélangeur et réglez le niveau sur un niveau d'écoute confortable. Augmentez progressivement le niveau des basses fréquences à l'aide du réglage Level du dB1500a ou dB1800a, jusqu'à ce que vous obteniez le niveau souhaité. Le niveau de sortie du dB1500a ou dB1800a et des satellites demeure ensuite proportionnel à celui de la console de mixage.



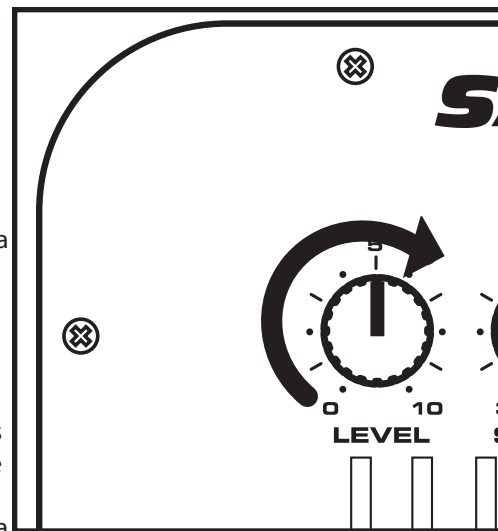
Utilisation du dB1500a et dB1800a

UTILISATION MONO DU dB1500a AVEC DES ENCEINTES SATELLITES PASSIVES

Si votre système comporte un amplificateur de puissance stéréo standard et des enceintes passives large bande, comme les Samson dB500 et XP100, un dB1500a ou dB1800a peut facilement leur être relié afin d'étendre la réponse dans les basses fréquences. Voici une configuration type composée d'un dB1500a ou dB1800a, d'une console de mixage, d'un amplificateur de puissance stéréo et d'une paire de satellites passifs. Les entrées et les sorties du dB1500a ou dB1800a utilisent des connecteurs XLR standard. Suivez la procédure décrite sous le schéma pour configurer votre système.



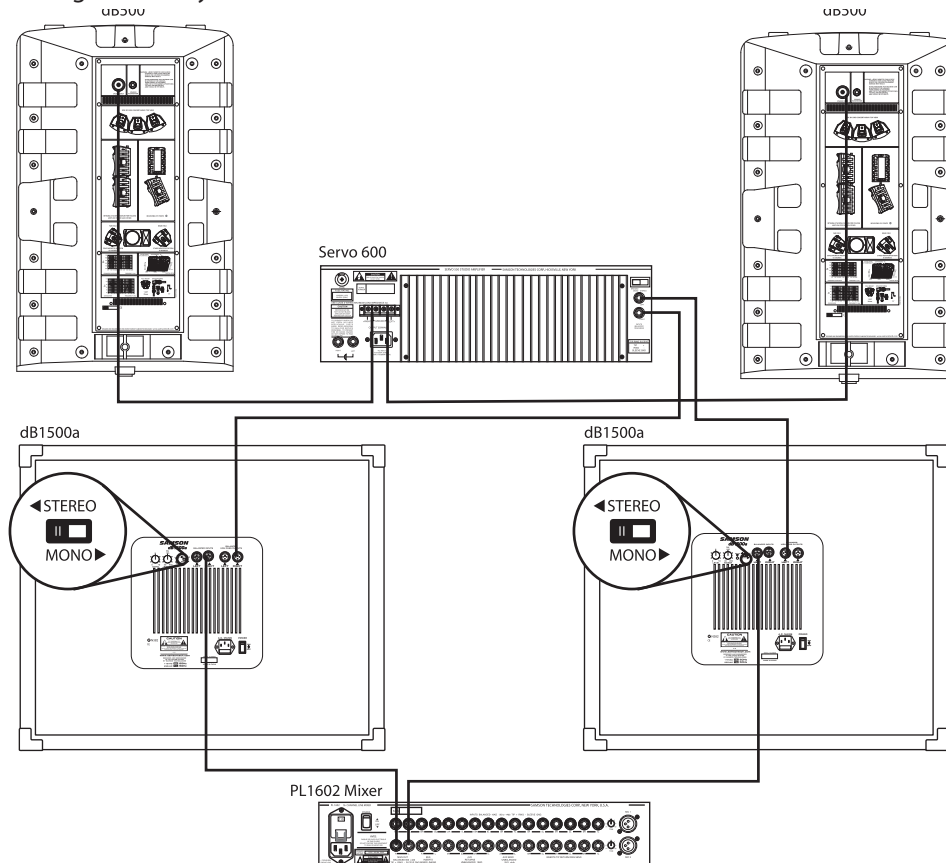
- Baissez complètement le niveau des sorties générales de votre mélangeur.
- Reliez la sortie gauche de la console à l'entrée gauche du dB1500a ou dB1800a, et la sortie droite de la console à l'entrée droite du dB1500a ou dB1800a. Reliez ensuite la sortie gauche du dB1500a ou dB1800a à l'entrée du satellite gauche, et la sortie droite du dB1500a ou dB1800a à l'entrée du satellite droit. Utilisez vos câbles d'enceinte pour relier les enceintes satellites gauche et droite aux sorties de l'amplificateur de puissance. Placez le sélecteur Stéréo/Mono en position MONO.
- Réglez à présent le potentiomètre SWEEP sur la fréquence de coupure souhaitée. Pour les enceintes Expedition EX20 & EX30, sélectionnez 80-100 Hz. Si vous utilisez une marque différente de satellites actifs avec les dB1500a et dB1800a, consultez leur mode d'emploi pour connaître la fréquence de coupure recommandée.
- Réglez le niveau de votre amplificateur de puissance sur le niveau de fonctionnement normal. Affectez un signal audio (provenant d'un CD, par exemple) à votre mélangeur et réglez le niveau sur un niveau d'écoute confortable. Augmentez progressivement le niveau des basses fréquences à l'aide du réglage Level du dB1500a ou dB1800a, jusqu'à ce que vous obteniez le niveau souhaité. Le niveau de sortie du dB1500a ou dB1800a et des satellites demeure ensuite proportionnel à celui de la console de mixage.



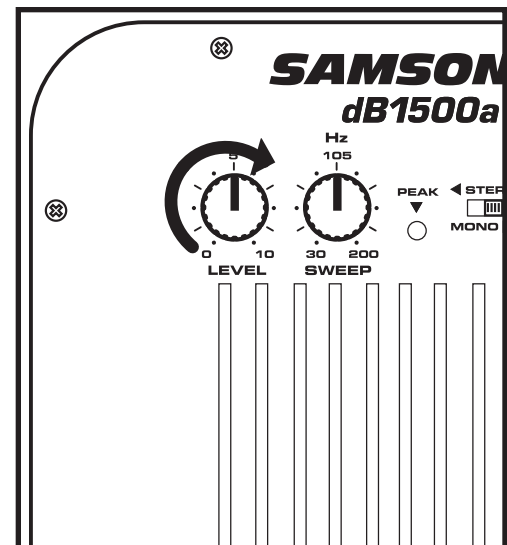
Utilisation du dB1500a et dB1800a

UTILISATION STÉRÉO DU dB1500a AVEC DES ENCEINTES SATELLITES PASSIVES

Si votre système comporte un amplificateur de puissance stéréo standard et des enceintes passives large bande, comme les Samson dB500 et XP100, un dB1500a ou dB1800a peut facilement leur être relié afin d'étendre la réponse dans les basses fréquences. Voici une configuration type composée d'un dB1500a ou dB1800a, d'une console de mixage, d'un amplificateur de puissance stéréo et d'une paire de satellites passifs. Les entrées et les sorties du dB1500a ou dB1800a utilisent des connecteurs XLR standard. Vous trouverez un schéma de câblage détaillé dans la section "Connexions des dB1500a et dB1800a", à la page 22. Suivez la procédure décrite sous le schéma pour configurer votre système.



- Baissez complètement le niveau des sorties générales de votre mélangeur.
- Reliez la sortie gauche de la console à l'entrée gauche du dB1500a ou dB1800a, et la sortie droite de la console à l'entrée droite du dB1500a ou dB1800a. Reliez ensuite la sortie gauche du dB1500a ou dB1800a à l'entrée du satellite gauche, et la sortie droite du dB1500a ou dB1800a à l'entrée du satellite droit. À l'aide des câbles d'enceinte, reliez les sorties de l'amplificateur de puissance aux enceintes satellites gauche et droite. Placez les deux sélecteurs Stéréo/Mono en position Stereo.
- Réglez à présent le potentiomètre SWEEP sur la fréquence de coupure souhaitée. Pour les enceintes Expedition EX10, sélectionnez 80-100 Hz. Si vous utilisez une marque différente de satellites actifs avec les dB1500a et dB1800a, consultez leur mode d'emploi pour connaître la fréquence de coupure recommandée.
- Réglez le niveau de votre amplificateur de puissance sur le niveau de fonctionnement normal. Affectez un signal audio (provenant d'un CD, par exemple) à votre mélangeur et réglez le niveau sur un niveau d'écoute confortable. Augmentez progressivement le niveau des basses fréquences à l'aide du réglage Level du dB1500a ou dB1800a, jusqu'à ce que vous obteniez le niveau souhaité. Le niveau de sortie du dB1500a ou dB1800a et des satellites demeure ensuite proportionnel à celui de la console de mixage.

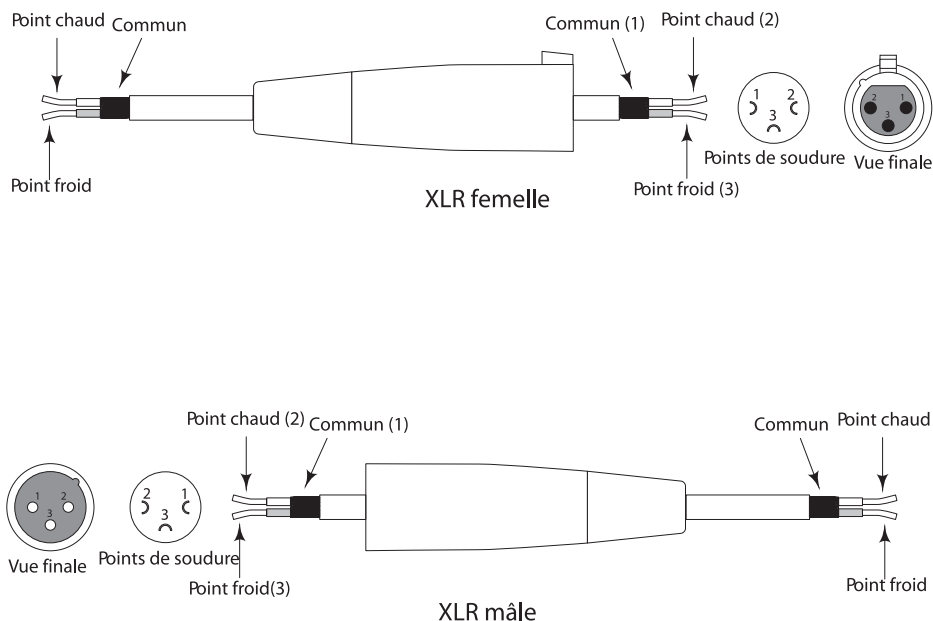


Connexions

GUIDE DE CÂBLAGE DES CONNECTEURS XLR DU dB1500a

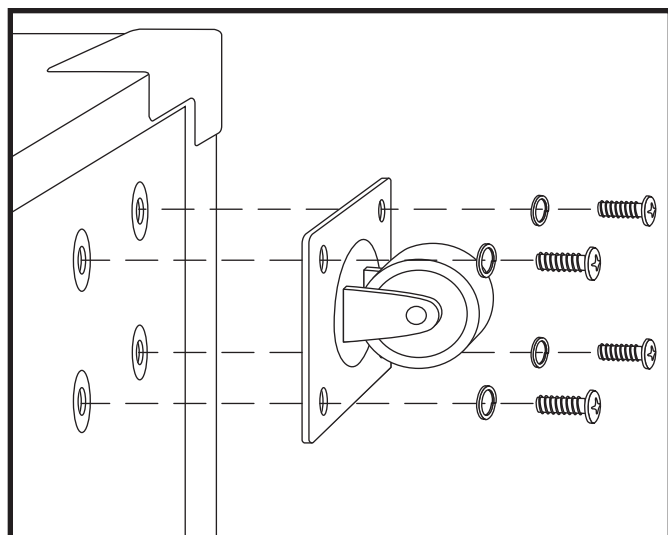
Les entrées et les sorties du dB1500a ou dB1800a utilisent des connecteurs XLR standard. Voici un schéma de câblage détaillé des connecteurs XLR des dB1500a et dB1800a.

Guide de câblage des connecteurs XLR symétriques



INSTALLATION DES ROULETTES

- Cherchez les quatre roulettes dans le carton d'emballage du dB1500a.
- Localisez à présent les quatre embases de fixation des roulettes situées au niveau des quatre extrémités au dos de l'appareil.
- Insérez chaque roulette dans l'embase prévue à cet effet jusqu'à ce que la roulette soit fermement fixée.
- Inclinez le dB1500a vers l'arrière pour faciliter son transport.



Herzlichen Dank für den Kauf des dB1500a oder dB1800a Aktiv-Subwoofers von Samson. Die eigenständigen dB1500a und dB1800a Subwoofer zeichnen sich aus durch speziell entwickelte, hoch belastbare Basstreiber sowie robuste Endstufen und bilden eine komplette Kompaktlösung zur Tiefbass-Erweiterung eines PA-Systems. Die geschmackvoll gestalteten Subwoofer verfügen über vorderseitig bestückte, von einem stabilen Stahlgitter geschützte Treiber sowie über rückseitig zugängliche Endstufen, die in das Gehäuse eingelassen sind. Die reservestarken Endstufen des dB1500a und dB1800a erzeugen 1000 Watt Musik- und 500 Watt RMS-Leistung. Zudem wurde ein aktives Stereo-Crossover mit variabler Frequenzeinstellung zum Betreiben breitbandiger Satellitenboxen integriert. Die Tieffrequenztreiber mit langer Auslenkung und einem Durchmesser von 15“ beim dB1500a und 18” beim dB1800a besitzen eine massive Motorstruktur sowie große Schwingspulen mit gezahnten Konussen und Butylrahmen und liefern kompakte, laute Tiefbässe mit klaren Konturen. Die Verkabelung der dB1500a und dB1800a erfolgt schnell und einfach über die standard XLR-Anschlüsse der Verstärkersektion. Die solide Konstruktion aus 3/4” starkem Sperrholz mit Stahlschutzecken, großen Griffen, strapazierfähigem Teppichbezug und praktischen Rollen machen den dB1500a und dB1800a zu wahren „Straßenkämpfern“. Bei fest installierten Systemen liefern die Subwoofer eine kompakte Bassausgabe in einem relativ kleinen, unauffälligen Gehäuse. Die dB1500a und dB1800a sind die perfekte Ergänzung zur Leistungs- und Klangverbesserung Ihrer Systeme der dB Series und Expedition Series oder jedes anderen Beschallungssystems, das einen erweiterten Tiefbassbereich benötigt. Mit den dB1500a oder dB1800a ist der Tieffrequenzbereich einfach optimal versorgt.

In diesem Handbuch finden Sie eine detaillierte Erläuterung der Funktionen des dB1500a oder dB1800a, einen Überblick über die vorder- und rückseitigen Bedienfelder, schrittweise Anleitungen zum Einsatz des Geräts, Anwendungsvorschläge sowie vollständige Technische Daten.

Sie werden auch eine Garantiekarte finden, die Sie ausfüllen und an uns schicken sollten, damit Sie online technischen Support erhalten und wir Ihnen in Zukunft aktuelle Informationen über andere Samson-Produkte schicken können. Besuchen Sie bitte auch unsere Webseite (www.samsontech.com), auf der Sie umfassende Informationen über unsere gesamte Produktlinie finden.

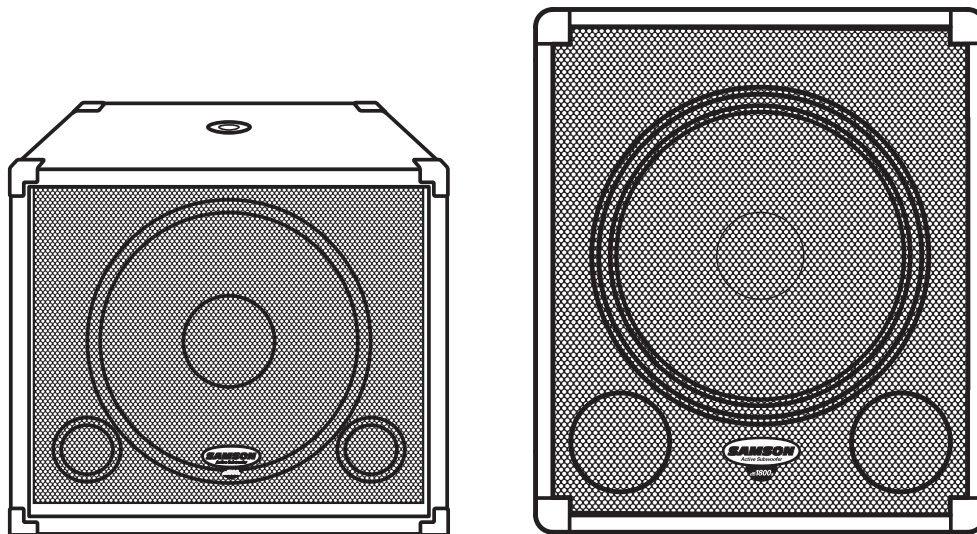
Bei sorgfältiger Pflege und ausreichender Luftzirkulation wird das dB1500a oder dB1800a über Jahre hinaus problemlos funktionieren. Die Seriennummer des Mixers sollten Sie für den zukünftigen Gebrauch in die folgende Zeile eintragen.

Seriennummer: _____

Kaufdatum: _____

Wenn Ihr Gerät einmal gewartet werden muss, benötigen Sie vor der Rücksendung an Samson eine Return Authorization-Nummer (RA/Rücksende-Berechtigungsnummer). Ohne diese Nummer wird das Gerät nicht angenommen. Bitte rufen Sie Samson unter 1-800-3SAMSON (1-800-372-6766) an, um vor dem Verschicken des Mixers eine Return Authorization-Nummer zu erhalten. Heben Sie das Original-Verpackungsmaterial auf und schicken Sie das Gerät möglichst im originalen Karton mit Verpackungsmaterial zurück.

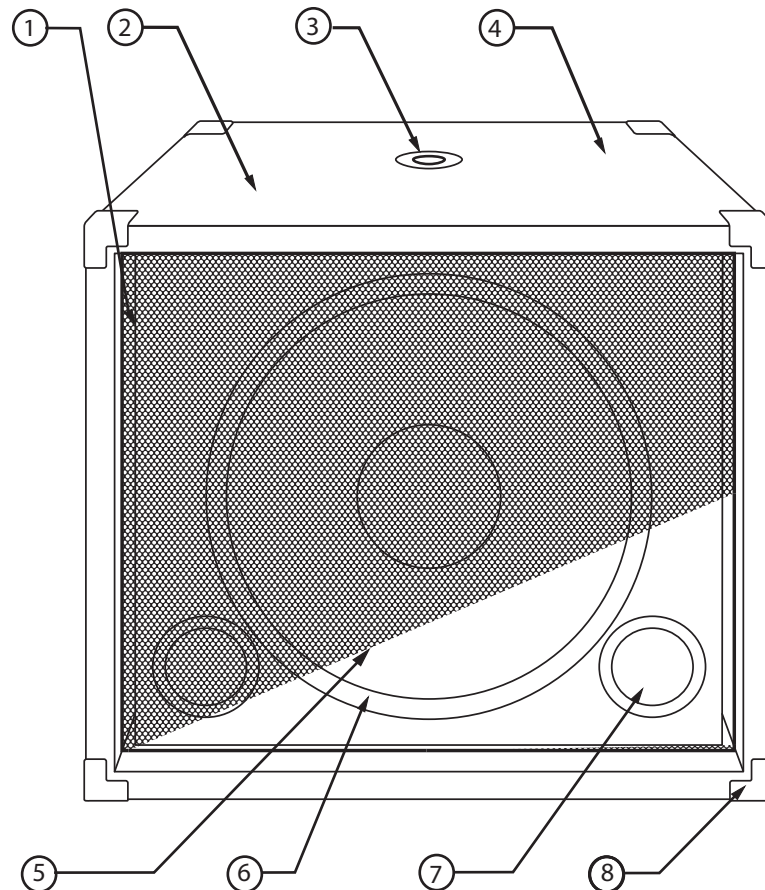
dB1500a Features



Die Samson dB1500a und dB1800a Powered Subwoofer nutzen modernste Boxen- und Endstufen-Technologien. Die wichtigsten Features sind:

- Beide Subwoofer verwenden speziell entwickelte, hoch belastbare Basswandler mit massiven Motoren, robusten Stahlrahmen und behandelten Konussen mit Butylen-Gummirahmen. Der dB1500a ist ausgerüstet mit einem 15" Woofer, einer 2 1/2" (0,65mm) Schwingspule und einem 1,9 kg Magneten. Der dB1800a ist ausgerüstet mit einem 18" Woofer, einer 3" (0,75mm) Schwingspule und einem 2,9 kg Magneten.
- 500 Watt Down-Tracking Endstufe
- symmetrische Hochpass-Ausgänge für Satelliten-Lautsprecher
- variable Frequenzweiche 30 - 200 Hz
- Stereo / Mono Betriebsschalter
- Lautstärkeregelung
- robuste, rückseitig montierbare Rollen
- extra-große Tragegriffe
- 35 mm breite Ständerhalterung
- 3/4" Sperrholz-Konstruktion, intern verstrebt und mit Teppichmaterial überzogen
- 3-jährige erweiterte Garantie

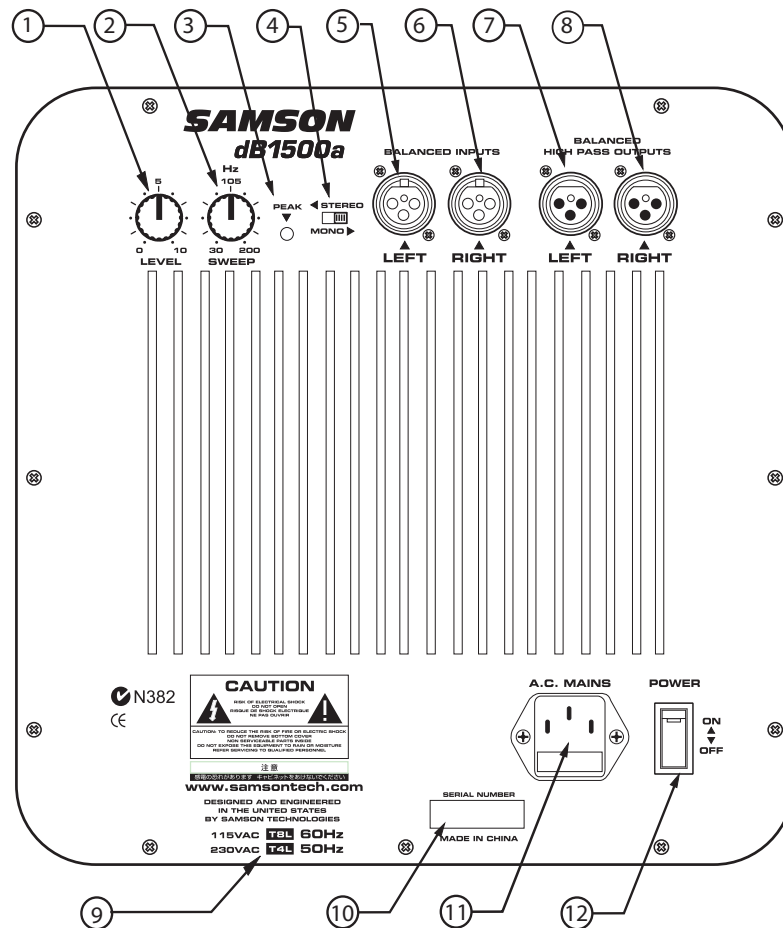
Vorderseite



- 1 BESPANNUNGSGITTER** - Die strapazierfähige Stahlkonstruktion bietet einen langlebigen und stilvollen Schutz für den Lautsprecher.
- 2 GEHÄUSE** - stabile 3/4" Sperrholz-Konstruktion.
- 3 STÄNDERHALTERUNG** - 1 3/8" (35 mm) standard Lautsprecherständer-Halterung.
- 4 BEZUG** - strapazierfähiger, tour-tauglicher Teppichbezug.
- 5 WANDLER** - hochbelastbarer 15" Tieffrequenz-Treiber mit erweitertem Bereich.
- 6 BUTYLEN GUMMI-RAHMEN** - garantiert maximale Auslenkung bei gleichbleibend kompakter Bass-Ansprache.
- 7 ABGESTIMMTE SCHALLKANÄLE** - rauschfreie Austrittskanäle bieten eine linear erweiterte Tieffrequenz-Ansprache.
- 8 ECKEN** - hochbelastbare Stahl-Schutzecken

Regler und Funktionen

Rückseite



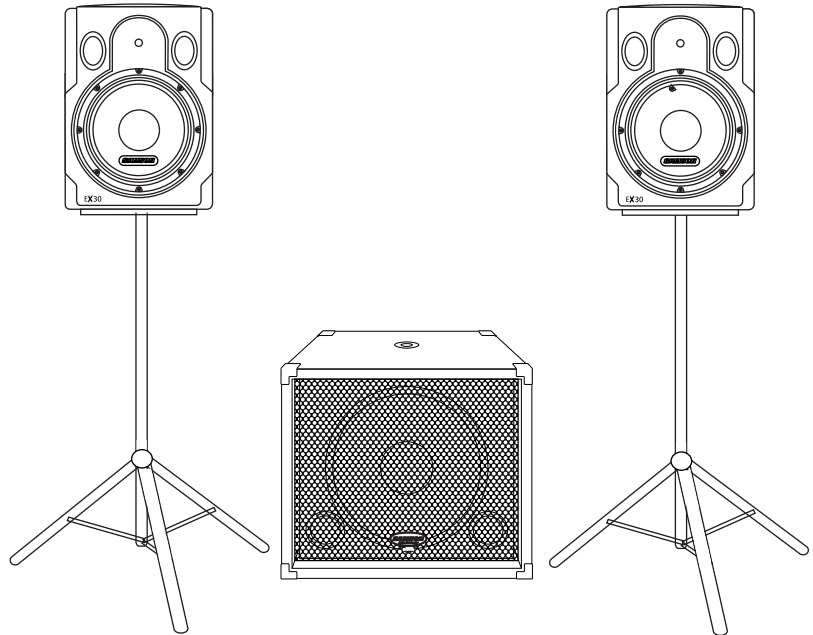
- 1 LEVEL** - steuert die Höhe des Ausgangspegels.
- 2 CROSSOVER FREQUENCY** - regelt den Tieffrequenz-Endbereich der Hochpass-Ausgänge.
- 3 PEAK LED** - leuchtet, wenn das Eingangssignal die Endstufe übersteuert.
- 4 STEREO/MONO SCHALTER** - wählt den Stereo- oder Mono-Betrieb.
- 5 LEFT INPUT** - symmetrischer XLR-Eingang.
- 6 RIGHT INPUT** - symmetrischer XLR-Eingang.
- 7 LEFT OUTPUT** - symmetrischer XLR-Ausgang.
- 8 RIGHT OUTPUT** - symmetrischer XLR- Ausgang.
- 9 SERIAL NUMBER** - hier finden Sie die Seriennummer des Geräts.
- 10 VOLTAGE INDICATION** - bestimmt die am Eingang anliegende Wechselspannung.
- 11 AC INLET** - zum Anschluss eines normalen Netzkabels.
- 12 MAINS POWER-SCHALTER** - aktiviert die Endstufe des dB1500a.

Lautsprechersystem konfigurieren

Bevor Sie Kabel anschließen, sollten Sie entscheiden, wie Sie Ihren neuen Subwoofer ins System integrieren möchten. Man kann den dB1500a und dB1800a auf verschiedene Weise in Systeme integrieren, die meisten System-Setups fallen allerdings in zwei Kategorien: Stereo oder Mono (üblich) Sub-Betrieb.

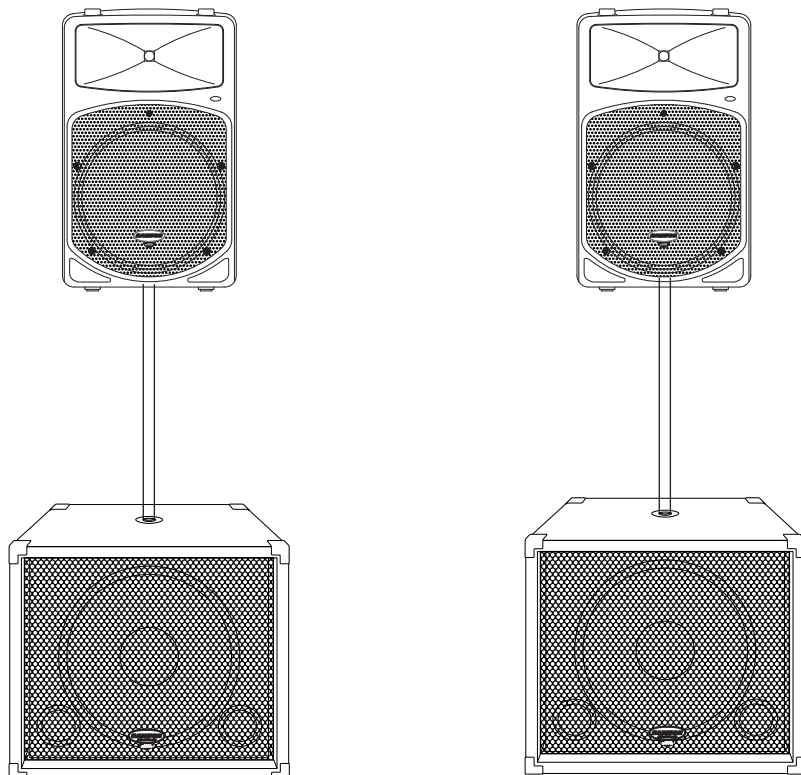
Normaler Sub-Betrieb

In den meisten Fällen ist ein normaler Sub- oder Mono Bass-Betrieb erwünscht. Der wichtigste Grund hierfür ist, dass die von einem Subwoofer erzeugten Bassfrequenzen ungerichtet sind. Da Basswellen sehr viel Raum benötigen, um sich überhaupt zu entwickeln, kann man nicht erkennen, ob der Sub-Bass von links oder rechts kommt, sofern man sich nicht in einem sehr großen Raum befindet. Aufgrund dieses Phänomens wird fast das gesamte Sub-Bassmaterial in Mono gemischt.



Stereo Sub-Betrieb

In größeren Räumen sowie bei Installationen in Theatern und Freizeitparks (für tieffrequente Audio-Spezialeffekte) lassen sich zwei dB1500a oder dB1800a in Stereo einsetzen.



dB1500a und dB1800a bedienen

dB1500a BEDIENFELD

Die Anschlüsse und Anwenderschnittstelle zum internen elektronischen Crossover und zur Endstufensektion sind auf dem Bedienfeld des dB1500a und dB1800 untergebracht. Der interne 500 Watt Tracking-Verstärker kann eine unglaubliche Bass-Ausgangsleistung erzeugen – wobei er absolut kühl arbeitet und nur halb so viel wiegt wie herkömmliche Endstufen. Das elektronische Crossover des dB1500a und dB1800a regelt die Höhen-Trennfrequenz für den Subwoofer und dessen Hochpass-Ausgang, der die Signale an Satellitenboxen weiterleitet. Wenn Sie Ihre Satellitenboxen über die Hochpass-Ausgänge des dB1500a und dB1800a betreiben, können Sie die Klangqualität erheblich steigern. Dies liegt daran, dass sich die Satellitenboxen beim Empfang des gefilterten dB1500a- und dB1800a-Ausgangssignals nicht mehr um die unter der Trennfrequenz liegenden Frequenzen kümmern müssen. Wenn man den High-Pass-Ausgang des dB1500a und dB1800a benutzt, werden die Frequenzen unterhalb der eingestellten Sweep-Frequenz nicht zu den Satelliten-Verstärkern und –Boxen weitergeleitet. Sie können also den Frequenzen, die die Satelliten erzeugen sollen, mehr Leistung zukommen lassen, was zu einem wesentlich saubereren Sound und mehr Headroom führt.

Level-Regler

Mit dem Pegelregler stellen Sie die Lautstärke des dB1500a oder dB1800a Subwoofers ein. Zusätzlich steuert der Level-Regler auch den Pegel der Hochpass-Ausgänge. Wenn Sie daher den dB1500a oder dB1800a ohne die Hochpass-Ausgänge verwenden (z. B. wenn der dB1500a oder dB1800a an ein externes Crossover angeschlossen ist), steuert der Level-Regler die Bass-Ausgabe des dB1500a oder dB1800a. Wenn Sie über das interne Crossover des dB1500a oder dB1800a Satellitenboxen betreiben, steuert der Level-Regler die Gesamtlautstärke des Systems.

Sweep

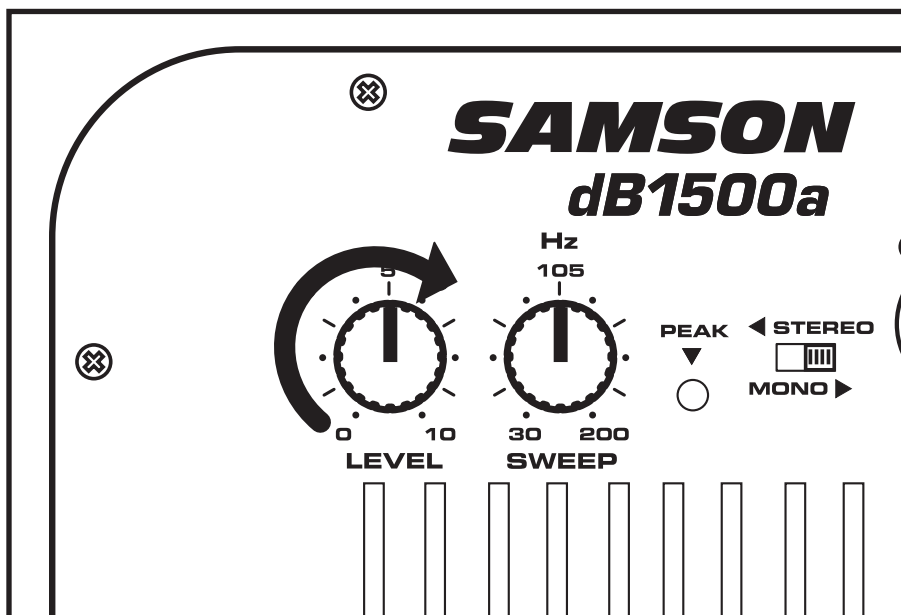
Der Sweep-Regler wählt beim dB1500a und dB1800a die Höhen-Trennfrequenz des internen elektronischen Crossovers. Das interne Crossover arbeitet mit einer 12dB/Okt. Linkwitz-Riley Filterkurve. Der Sweep-Regler begrenzt die vom dB1500a und dB1800a wiedergegebenen Höhen, wobei der Höhen-Ausgang die gewählte Trennfrequenz verfolgt und als untere Grenzfrequenz für die Satellitenboxen betrachtet.

Stereo / Mono-Schalter

Der Stereo/ Mono-Schalter wählt den Bass-Betrieb in Stereo oder Mono. Bei MONO fasst der dB1500a die linken und rechten Signale zusammen und leitet ein Mono-Signal zu seinem Verstärker. Ist MONO gewählt, wird das linke und rechte Signal vom dB1500a und dB1800a kombiniert (oder summiert) und als Mono-Signal zur Endstufe des dB1500a und dB1800a geleitet. Im Stereo-Modus wird das Bass-Signal nicht summiert und Sie können entsprechend der Seite des Systems entweder den linken oder rechten Eingang wählen.

Eingänge und Ausgänge

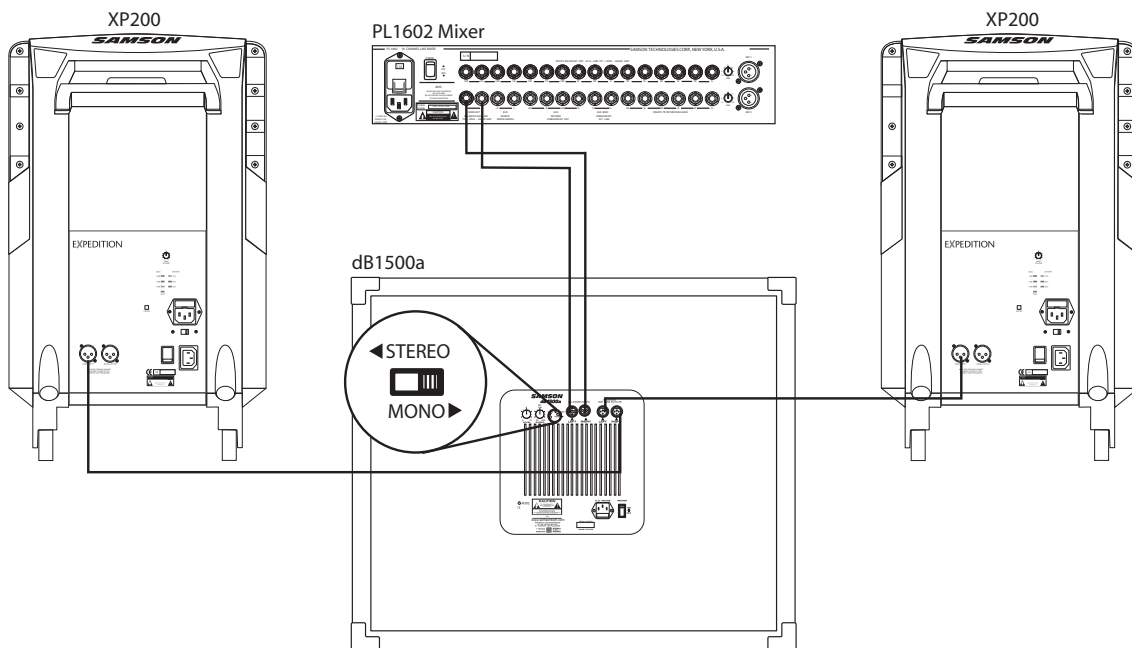
Der dB1500a und dB1800a verfügen über elektronisch symmetrierte Ein- und Ausgänge, wodurch potentielle BRUMM-Probleme beim Zusammenschluss mit anderen Geräten weitgehend beseitigt werden. Für problemlose Verbindungen zu Mischern und anderen professionellen Audiogeräten werden XLR-Anschlüsse mit der üblichen Polbelegung verwendet. Ein detailliertes Verdrahtungsdiagramm finden Sie im Abschnitt "dB1500a und dB1800a Anschlüsse" auf Seite 33 dieses Handbuchs..



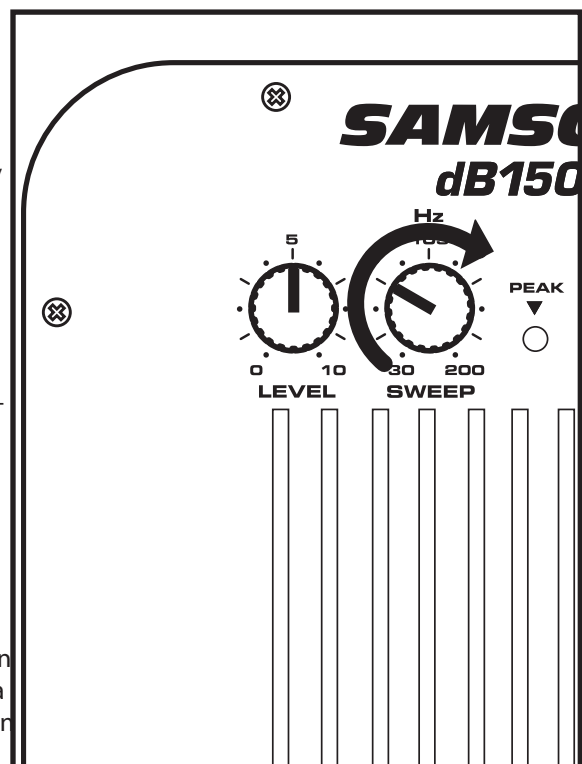
dB1500a und dB1800a bedienen

dB1500a MONO SUB MIT AKTIV-SATELLITENBOXEN

Der dB1500a oder dB1800a ist die perfekte Ergänzung für ein Paar aktiver Breitbandboxen, z. B. Samson dB500a, XP200 und XP300. Unten sehen Sie ein typisches System-Setup, bestehend aus dB1500a oder dB1800a, einem Mischer und einem Paar aktiver Satellitenboxen. Der dB1500a und dB1800a sind mit standard XLR-Eingängen und -Ausgängen ausgerüstet. Ein detailliertes Verdrahtungsdiagramm finden Sie in Abschnitt "dB1500a und dB1800a Anschlüsse" auf Seite 33. Gehen Sie nach den unten beschriebenen Schritten vor, um Ihr System einzurichten.



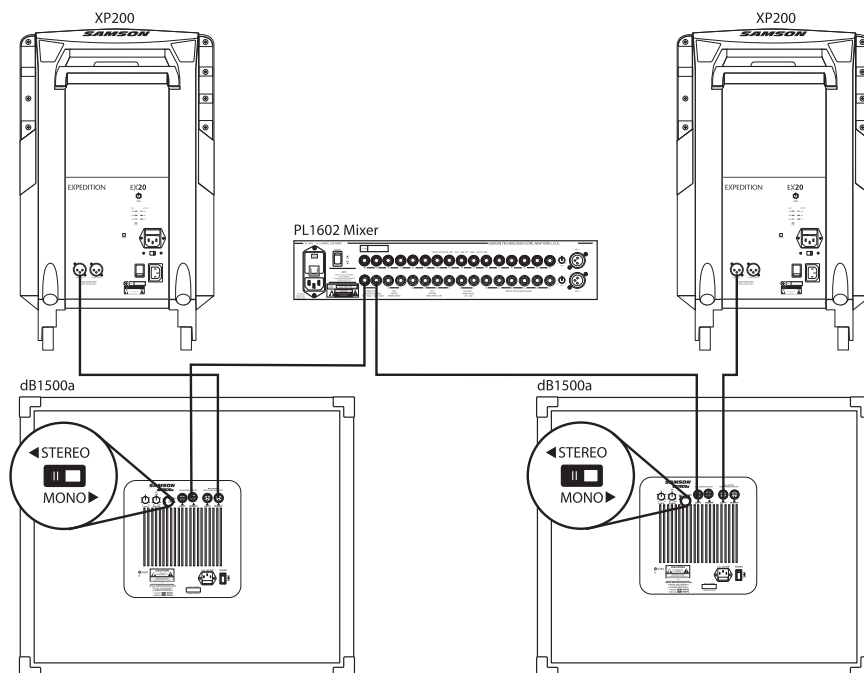
- Verbinden Sie den linken Ausgang des Mixers mit dem linken Eingang des dB1500a oder dB1800a und den rechten Ausgang des Mixers mit dem rechten Eingang des dB1500a oder dB1800a. Verbinden Sie dann den linken Ausgang des dB1500a oder dB1800a mit dem Eingang der linksseitigen Satellitenbox und den rechten Ausgang des dB1500a und dB1800a mit dem Eingang der rechtsseitigen Satellitenbox. Stellen Sie den Stereo/Mono-Wahlschalter auf MONO ein.
- Stellen Sie jetzt den SWEEP-Regler der Frequenzweiche auf die gewünschte Frequenz ein. Wählen Sie für die Expedition EX20 & EX30 den Wert 80 - 100 Hz. Wenn Sie eine andere Aktivboxen-Marke als Satellitenboxen mit dem dB1500a oder dB1800a verwenden, schlagen Sie in deren Bedienungshandbuch den empfohlenen Crossover-Punkt nach.
- Drehen Sie die Master-Ausgänge Ihres Mixers ganz zurück. Stellen Sie dann die Lautstärke der Aktiv-Satellitenboxen auf deren normalen Betriebspegel ein. Leiten Sie ein Audiosignal (z. B. eine Audio-CD) durch Ihren Mixer und stellen Sie den Pegel auf eine angenehme Abhörlautstärke ein. Drehen Sie dann den Level-Regler des dB1500a oder dB1800a langsam auf und achten Sie auf die Bass-Ausgabe. Stellen Sie den dB1500a oder dB1800a auf den gewünschten Bass-Ausgabepiegel ein. Wenn Sie jetzt den Ausgangspegel Ihres Mixers erhöhen oder verringern, folgen dB1500a oder dB1800a und die Satellitenboxen den Änderungen



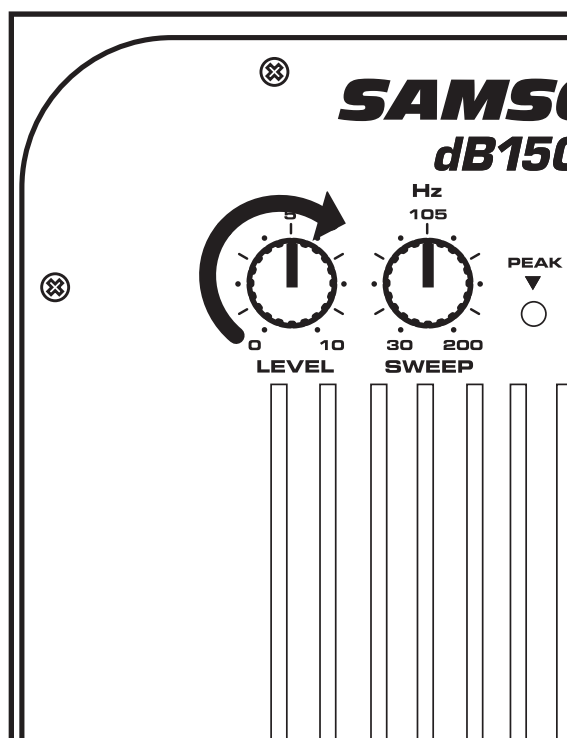
dB1500a und dB1800a bedienen

dB1500a STEREO SUB MIT AKTIV-SATELLITENBOXEN

Es lassen sich auch zwei dB1500a oder dB1800a mit einem Paar aktiver Breitbandboxen, z. B. Samson dB500a, XP200 und XP300, einsetzen. Unten sehen Sie ein typisches System-Setup, bestehend aus zwei dB1500a oder dB1800a, einem Mischer und einem Paar aktiver Satellitenboxen. Der dB1500a und dB1800a sind mit standard XLR-Eingängen und -Ausgängen ausgerüstet. Ein detailliertes Verdrahtungsdiagramm finden Sie in Abschnitt "dB1500a und dB1800a Anschlüsse" auf Seite 33. Gehen Sie nach den unten beschriebenen Schritten vor, um Ihr System einzurichten.



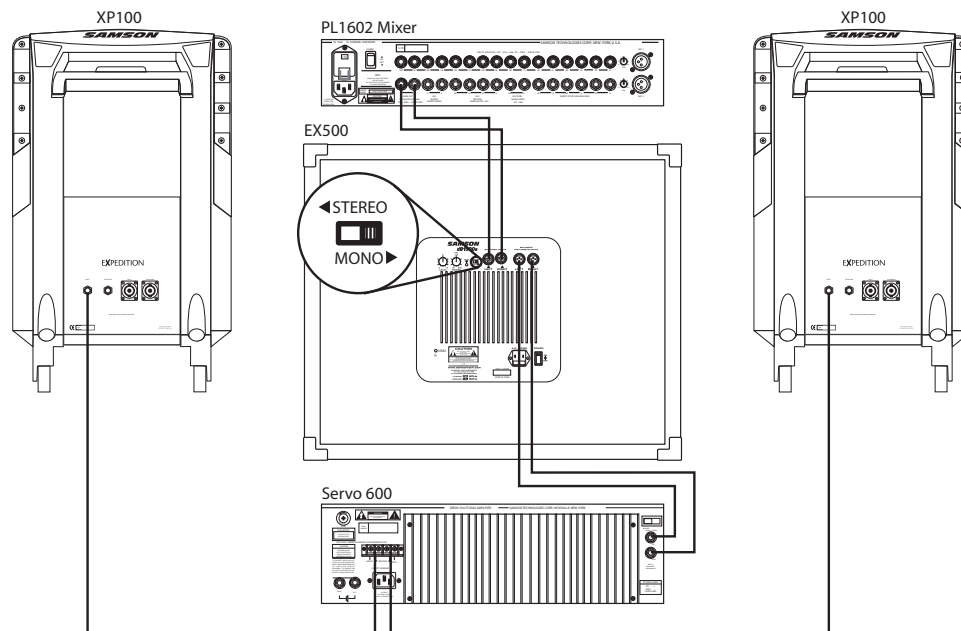
- Verbinden Sie den linken Ausgang des Mixers mit dem linken Eingang des dB1500a oder dB1800a und den rechten Ausgang des Mixers mit dem rechten Eingang des dB1500a oder dB1800a. Verbinden Sie dann den linken Ausgang des dB1500a oder dB1800a mit dem Eingang der linksseitigen Satellitenbox und den rechten Ausgang des dB1500a oder dB1800a mit dem Eingang der rechtsseitigen Satellitenbox. Stellen Sie beide Stereo/Mono-Wahlschalter auf STEREO ein.
- Stellen Sie jetzt den SWEEP-Regler der Frequenzweiche auf die gewünschte Frequenz ein. Wählen Sie für die Expedition EX20 & EX30 den Wert 80 - 100 Hz. Wenn Sie eine andere Aktivboxen-Marke als Satellitenboxen mit dem dB1500a oder dB1800a verwenden, schlagen Sie in deren Bedienungshandbuch den empfohlenen Crossover-Punkt nach.
- Drehen Sie die Master-Ausgänge Ihres Mixers ganz zurück. Stellen Sie dann die Lautstärke der Aktiv-Satellitenboxen auf deren normalen Betriebspegel ein. Leiten Sie ein Audiosignal (z. B. eine Audio-CD) durch Ihren Mixer und stellen Sie den Pegel auf eine angenehme Abhörlautstärke ein. Drehen Sie dann den Level-Regler des dB1500a oder dB1800a langsam auf und achten Sie auf die Bass-Ausgabe. Stellen Sie den dB1500a oder dB1800a auf den gewünschten Bass-Ausgabepegel ein. Wenn Sie jetzt den Ausgangspegel Ihres Mixers erhöhen oder verringern, folgen dB1500a oder dB1800a und die Satellitenboxen den Änderungen mit der gleichen relativen Lautstärke.



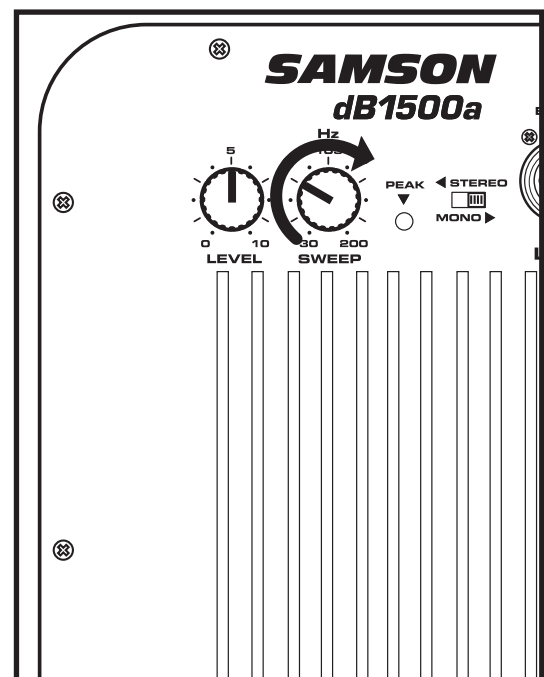
dB1500a und dB1800a bedienen

dB1500a MONO SUB MIT PASSIV-SATELLITENBOXEN

Wenn Ihr System mit einer standard Stereo-Endstufe und passiven Breitband-Boxen, z. B. Samson dB500 und XP100, arbeitet, lässt sich der dB1500a oder dB1800a zur Erweiterung des Bass-Bereichs problemlos ins System integrieren. Unten sehen Sie ein typisches System-Setup, bestehend aus einem dB1500a oder dB1800a, einem Mischer, einer Endstufe und einem Paar passiver Satellitenboxen. Der dB1500a und dB1800a sind mit standard XLR-Eingängen und -Ausgängen ausgerüstet. Gehen Sie nach den unten beschriebenen Schritten vor, um Ihr System einzurichten.



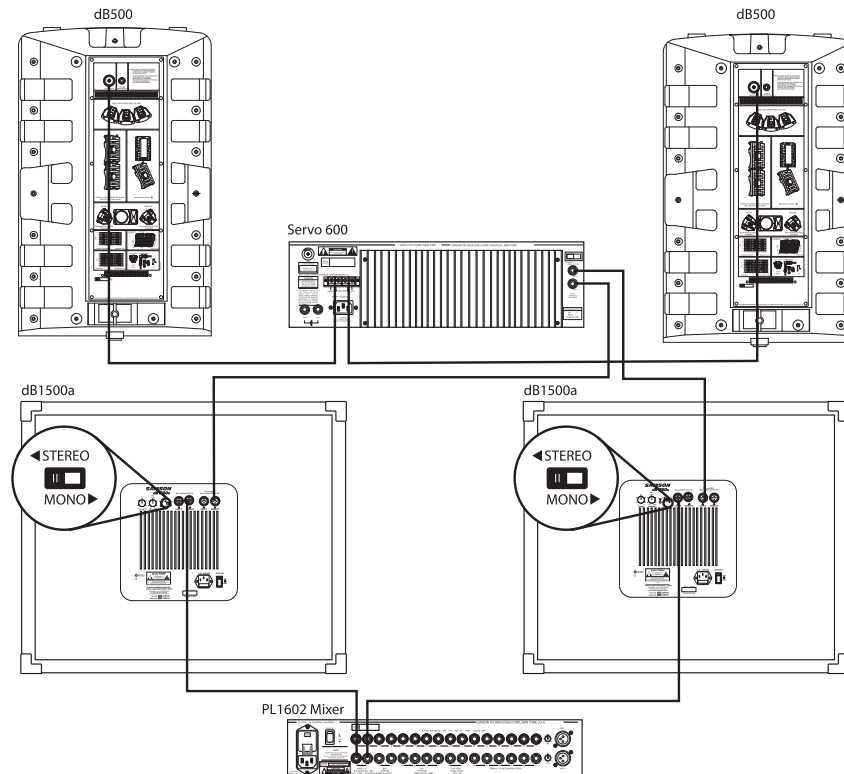
- Drehen Sie die Master-Ausgänge Ihres Mixers ganz zurück.
- Verbinden Sie den linken Ausgang des Mixers mit dem linken Eingang des dB1500a oder dB1800a und den rechten Ausgang des Mixers mit dem rechten Eingang des dB1500a oder dB1800a. Verbinden Sie dann den linken Ausgang des dB1500a oder dB1800a mit dem Eingang der linksseitigen Satellitenbox und den rechten Ausgang des dB1500a und dB1800a mit dem Eingang der rechtsseitigen Satellitenbox. Stellen Sie den Stereo/Mono-Wahlschalter auf MONO ein.
- Stellen Sie jetzt den SWEEP-Regler der Frequenzweiche auf die gewünschte Frequenz ein. Wählen Sie für die Expedition EX20 & EX30 den Wert 80 - 100 Hz. Wenn Sie eine andere Aktivboxen-Marke als Satellitenboxen mit dem dB1500a oder dB1800a verwenden, schlagen Sie in deren Bedienungshandbuch den empfohlenen Crossover-Punkt nach.
- Stellen Sie die Lautstärke der Endstufe auf deren normalen Betriebspegel ein. Leiten Sie ein Audiosignal (z. B. eine Audio-CD) durch Ihren Mixer und stellen Sie den Pegel auf eine angenehme Abhörlautstärke ein. Drehen Sie dann den Level-Regler des dB1500a oder dB1800a langsam auf und achten Sie auf die Bass-Ausgabe. Stellen Sie den dB1500a oder dB1800a auf den gewünschten Bass-Ausgabepegel ein. Wenn Sie jetzt den Ausgangspegel Ihres Mixers erhöhen oder verringern, folgen dB1500a oder dB1800a und die Satellitenboxen den Änderungen mit der gleichen relativen Lautstärke.



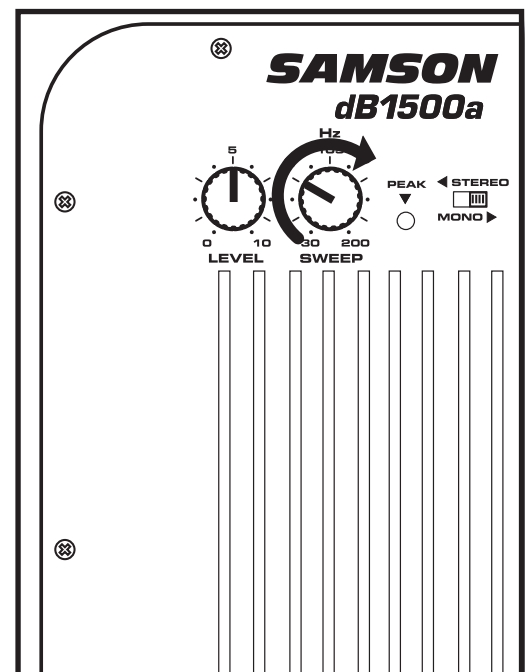
dB1500a und dB1800a bedienen

dB1500a STEREO SUB MIT PASSIV-SATELLITENBOXEN

Wenn Ihr System mit einer standard Stereo-Endstufe und passiven Breitband-Boxen, z. B. Samson dB500 und XP100, arbeitet, lässt sich der dB1500a oder dB1800a zur Erweiterung des Bass-Bereichs problemlos ins System integrieren. Unten sehen Sie ein typisches System-Setup, bestehend aus einem dB1500a oder dB1800a, einem Mischer, einer Endstufe und einem Paar passiver Satellitenboxen. Der dB1500a und dB1800a sind mit standard XLR-Eingängen und -Ausgängen ausgerüstet. Ein detailliertes Verdrahtungsdiagramm finden Sie in Abschnitt "dB1500a und dB1800a Anschlüsse" auf Seite 33. Gehen Sie nach den unten beschriebenen Schritten vor, um Ihr System einzurichten.



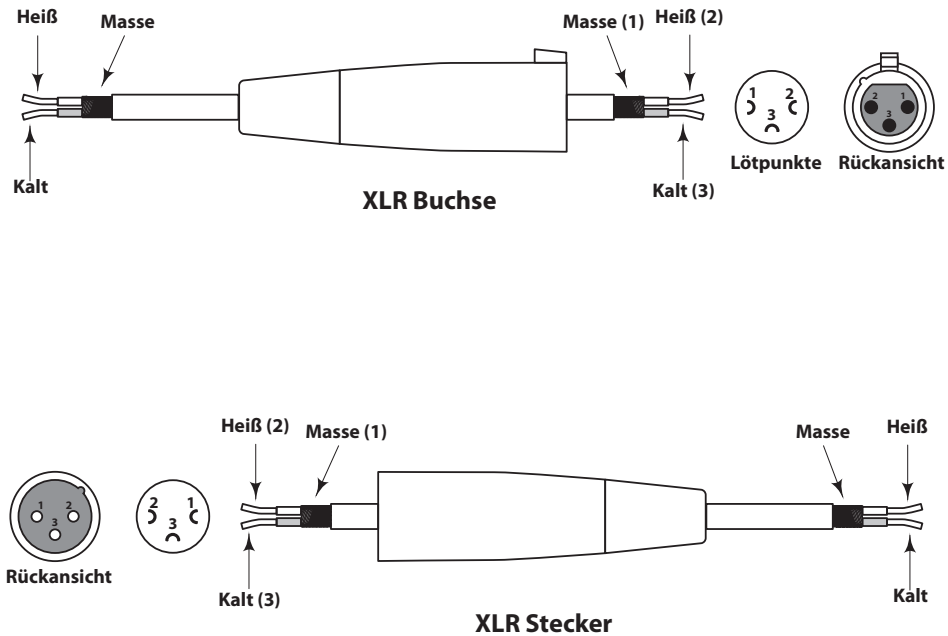
- Drehen Sie die Master-Ausgänge Ihres Mixers ganz zurück.
- Verbinden Sie den linken Ausgang des Mixers mit dem linken Eingang des dB1500a oder dB1800a und den rechten Ausgang des Mixers mit dem rechten Eingang des dB1500a oder dB1800a. Verbinden Sie dann den linken Ausgang des dB1500a oder dB1800a mit dem Eingang der linksseitigen Satellitenbox und den rechten Ausgang des dB1500a und dB1800a mit dem Eingang der rechtsseitigen Satellitenbox. Stellen Sie beide Stereo/Mono-Wahlschalter auf STEREO ein.
- Stellen Sie jetzt den SWEEP-Regler der Frequenzweiche auf die gewünschte Frequenz ein. Wählen Sie für die Expedition EX10 den Wert 80 - 100 Hz. Wenn Sie eine andere Aktivboxen-Marke als Satellitenboxen mit dem dB1500a oder dB1800a verwenden, schlagen Sie in deren Bedienungshandbuch den empfohlenen Crossover-Punkt nach.
- Stellen Sie die Lautstärke der Endstufe auf deren normalen Betriebspegel ein. Leiten Sie ein Audiosignal (z. B. eine Audio-CD) durch Ihren Mixer und stellen Sie den Pegel auf eine angenehme Abhörlautstärke ein. Drehen Sie dann den Level-Regler des dB1500a oder dB1800a langsam auf und achten Sie auf die Bass-Ausgabe. Stellen Sie den dB1500a oder dB1800a auf den gewünschten Bass-Ausgabepiegel ein. Wenn Sie jetzt den Ausgangspegel Ihres Mixers erhöhen oder verringern, folgen dB1500a oder dB1800a und die Satellitenboxen den Änderungen mit der gleichen relativen Lautstärke.



dB1500a XLR-VERDRÄHTUNGSDIAGRAMM

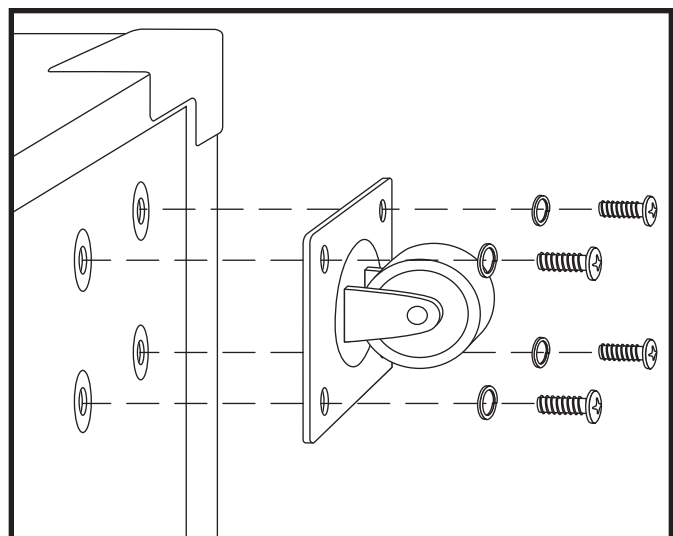
Der dB1500a und dB1800a sind mit standard XLR-Eingängen und -Ausgängen ausgerüstet. Unten sehen Sie ein detailliertes Verdrahtungsdiagramm für die XLR-Anschlüsse des dB1500a oder dB1800a.

XLR symmetrisch - Verdrahtungsanleitung



ROLLEN-MONTAGE

- Finden Sie im Transportkarton des dB1500a die vier Rollen.
- Finden Sie dann die vier Rollen-Halterungen, die dicht neben den vier Ecken auf der Geräte-Rückseite angebracht wurden.
- Stecken Sie die Rolle in die Befestigung, bis sie hörbar einrastet.
- Um den dB1500a bequem transportieren zu können, legen Sie ihn mit der Rückseite auf den Boden.



Introducción

Gracias por su compra del subwoofer activo dB1500a o dB1800a de Samson. El dB1500a y dB1800a son subwoofers autoamplificados que disponen de cabezales de graves de diseño exclusivo y alto rendimiento combinados con una etapa de potencia de gran robustez, para ofrecer una completa solución compacta de súper graves para cualquier sistema PA. El diseño global de estos subwoofers es muy atractivo gracias a sus cabezales con carga frontal colocados detrás de una robusta parrilla metálica, con las etapas de potencia colocadas en la parte trasera, encastradas dentro del recinto acústico. Con potencia más que de sobras, los amplificadores del dB1500a y dB1800a ofrecen una potencia media de 1.000 vatios musicales y 500 RMS, y además disponen de un crossover activo stereo interno con ajuste de frecuencia variable para que pueda usarlos con altavoces satélites de rango completo. Los cabezales de graves de largo recorrido, de 15 pulgadas para el dB1500a y de 18 en el caso del dB1800a, gozan de una inmensa estructura de motor y de enormes bobinas de voz con conos de gran rigidez y recubrimientos de material butílico que producen una respuesta en graves muy compacta y definida a la vez que potente. El cableado del dB1500a y dB1800a es muy sencillo dado que la sección de amplificación usa conectores XLR standard. El sólido contrachapado de 3/4 de pulgada, las cantoneras metálicas, grandes asas, ruedas de transporte y una resistente moqueta de recubrimiento convierten al dB1500a y dB1800a en auténticos guerreros de la carretera. Para instalaciones fijas, estos subwoofers ofrecen una salida de graves súper compacta y definida con un recinto relativamente pequeño. Los dB1500a y dB1800a son la compra perfecta para ampliar la potencia y el sonido de sus sistemas dB Series y Expedition Series, o de cualquier otro sistema de refuerzo de sonido en el que se necesite una mayor señal de graves. Sea donde sea donde use su nuevo dB1500a o dB1800a, obtendrá siempre el mejor sonido en graves.

En estas páginas encontrará una descripción detallada de las características y funciones de los subwoofers dB1500a y dB1800a, así como un recorrido guiado por sus paneles frontal y posterior, instrucciones paso a paso para su configuración y manejo y una completa tabla de especificaciones técnicas. También encontrará una tarjeta de garantía—no se olvide de rellenarla y enviárnosla por correo para que pueda recibir soporte técnico online y para que podamos enviarle información actualizada sobre este y otros productos Samson en el futuro. Asegúrese también de ir a nuestra página web (www.samsontech.com) para ver allí información completa acerca de toda nuestra gama de productos.

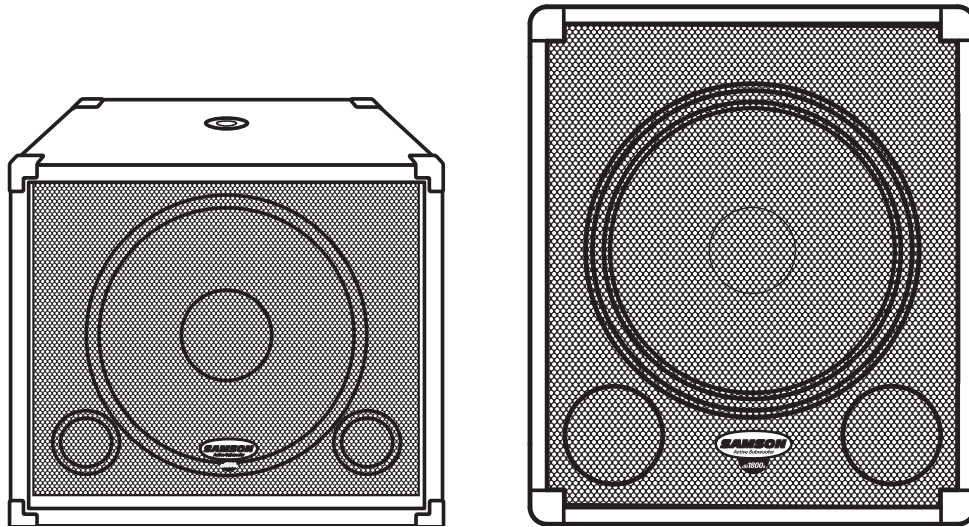
Con unos cuidados mínimos y una correcta circulación de aire, su dB1500a y dB1800a s sin problemas durante muchos años. Le recomendamos que apunte aquí abajo el número de serie de este aparato para cualquier consulta en el futuro.

Número de serie: _____

Fecha de compra: _____

En el improbable caso de que su unidad tenga que ser reparada en algún momento, necesitará conseguir un número de Autorización de devolución (RA) para poder enviar su unidad a Samson. Sin este número, ninguna unidad es aceptada en fábrica. Póngase en contacto con Samson en el teléfono 1-800-3SAMSON (1-800-372-6766) para que le facilitemos este número de autorización de devolución antes de enviarnos la unidad. Le recomendamos que guarde el embalaje original de este aparato y, si es posible, utilice este embalaje para devolvernos la unidad en caso de reparación.

Características del dB1500a

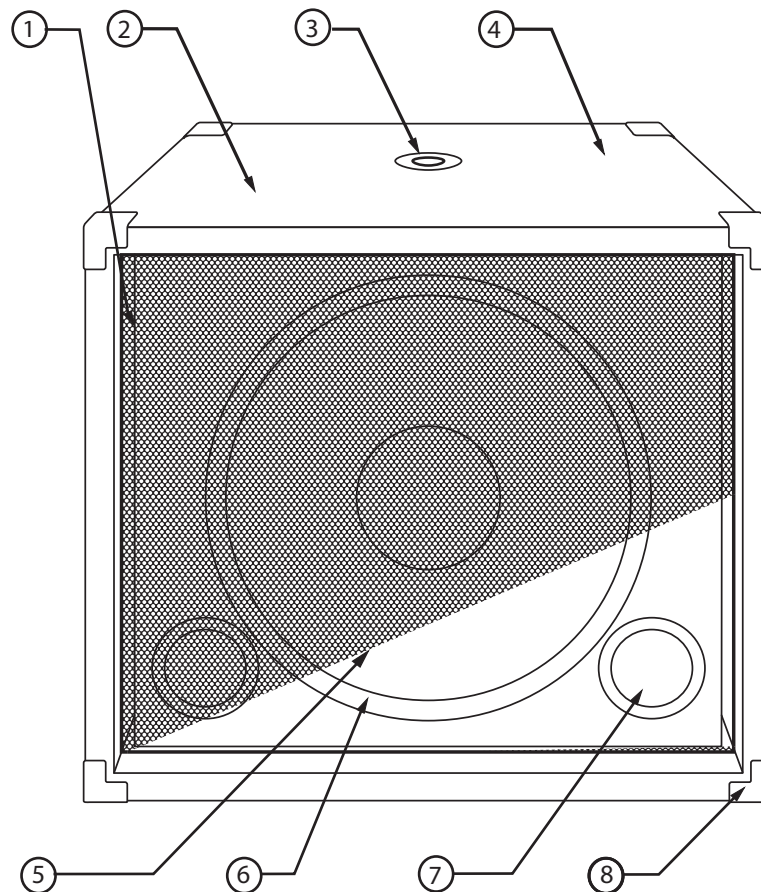


Los subwoofers autoamplificados Samson dB1500a y dB1800a utilizan la última tecnología en cuanto a diseño de etapas de potencia y altavoces. Aquí puede ver algunas de sus características principales:

- Ambos subwoofers usan un transductor de bajas frecuencias de alto rendimiento con enormes motores, robustos marcos de acero y conos con un tratamiento especial y recubrimiento de goma butílica. El dB1500a dispone de un woofer de 15 pulgadas con una bobina de voz de 2 1/2 pulgadas (.65 mm) y un imán de 67 onzas de peso. El dB1800a consta de un woofer de 18 pulgadas con una bobina de voz de 3 pulgadas (.75 mm) y un imán de 102 onzas.
- Amplificador de potencia de seguimiento descendente de 500 vatios
- Salidas de paso alto equilibradas para altavoces satélites
- Separador de frecuencias variable 30 - 200 Hz
- Conmutador de modo estéreo / mono
- Control del volumen
- Ruedas que resisten cargas muy pesadas en la parte posterior
- Asas de gran tamaño
- Receptáculo de 35 mm para el montaje en poste
- Construcción en madera contrachapada de 3/4", reforzado interiormente y recubierto con moqueta muy resistente
- Garantía ampliada de tres años

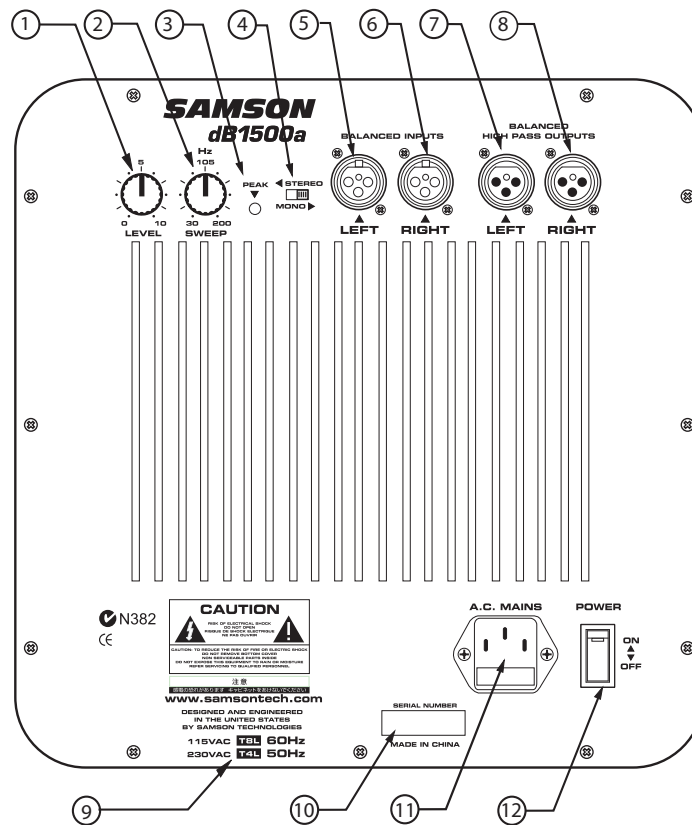
Controles y funciones

Distribución del panel frontal



- 1 REJILLA DE PROTECCIÓN** - Su construcción en acero endurecido ofrece una protección duradera y elegante para el altavoz.
- 2 CAJA** - Construcción en madera contrachapada de 3/4".
- 3 MONTAJE EN POSTE** - Receptáculo para soporte de altavoz estándar de 1 3/8 pulgadas (35 mm).
- 4 ACABADO** - Moqueta muy resistente.
- 5 TRANSDUCTOR** - Excitador de baja frecuencia reforzado de 15" con la gama ampliada.
- 6 BORDE DE CAUCHO BUTÍLICO** - Garantiza un barrido máximo y mantiene una respuesta de bajos muy ajustada.
- 7 PUERTOS SINTONIZADOS** - Diseño de puertos silenciosos que ofrecen una respuesta de frecuencias bajas ampliada lineal.
- 8 ESQUINAS** - Esquinas en acero de gran resistencia.

Distribución del panel posterior



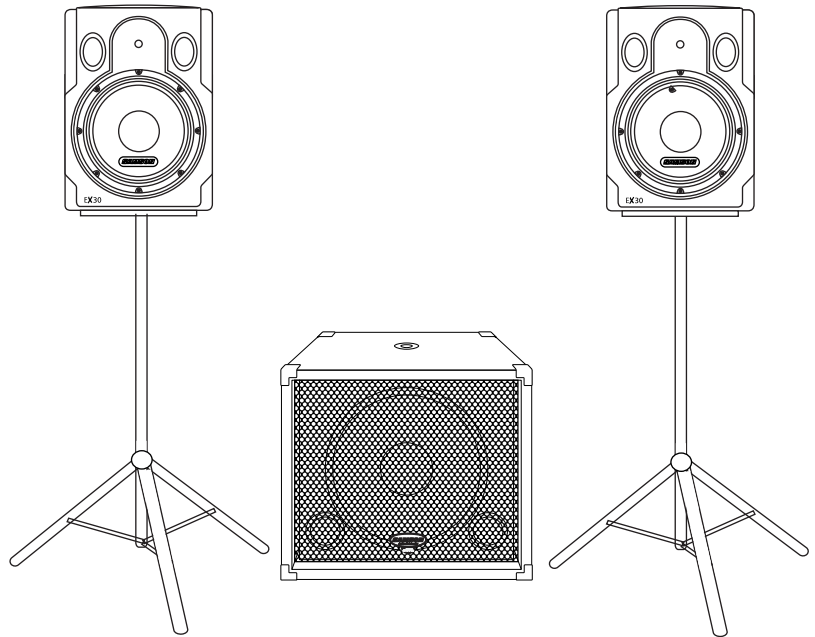
- 1 NIVEL** - Controla la cantidad de volumen de salida.
- 2 SEPARADOR DE FRECUENCIAS** - Ajusta la gama de frecuencias bajas de las salidas de paso alto.
- 3 LED DE PICOS** - Se ilumina cuando la señal de entrada sobrecarga el amplificador de potencia.
- 4 CONMUTADOR ESTÉREO/MONO** - Selecciona el modo estéreo o mono.
- 5 ENTRADA IZQUIERDA** - Entrada XLR equilibrada.
- 6 ENTRADA DERECHA** - Entrada XLR equilibrada.
- 7 SALIDA IZQUIERDA** - Salida XLR equilibrada.
- 8 SALIDA DERECHA** - Salida XLR equilibrada.
- 9 NÚMERO DE SERIE** - Éste el número de serie de la unidad.
- 10 INDICACIÓN DE TENSIÓN** - Designa la tensión de la entrada de CA.
- 11 ENTRADA DE CA** - Acepta un cable de alimentación estándar.
- 12 CONMUTADOR DE ALIMENTACIÓN** - Activa el amplificador de potencia del dB1500a.

Configurar el sistema de altavoces

Antes de empezar a conectar cables, tómese unos minutos para decidir la manera en que desea integrar el nuevo subwoofer. Existen varias formas de interconectar el dB1500a y dB1800a, si bien la mayoría de los sistemas quedan dentro de las dos categorías siguientes: funcionamiento en stereo o sub mono (común).

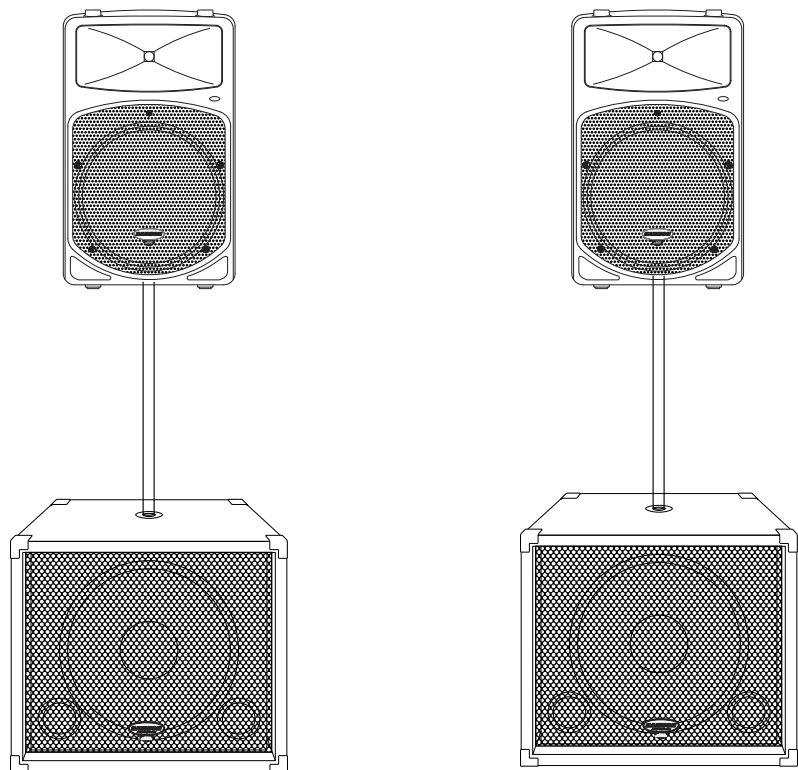
Funcionamiento común

En la mayoría de los casos deseará el modo mono o común. Esto es así por diversas razones, pero básicamente porque las frecuencias bajas producidas por un subwoofer no son direccionales. Puesto que las ondas de las frecuencias bajas precisan de mucho espacio para desarrollarse, es imposible decir si los bajos vienen de la izquierda o de la derecha, a menos, evidentemente, que se encuentre en una habitación muy grande. Debido a este fenómeno, casi todo el material de bajos se mezcla en mono.



Funcionamiento en estéreo

En salas grandes, así como en teatros o instalaciones de parques temáticos (en los que se necesiten efectos audio de frecuencias súper bajas), puede usar dos dB1500a o dB1800a en stereo.



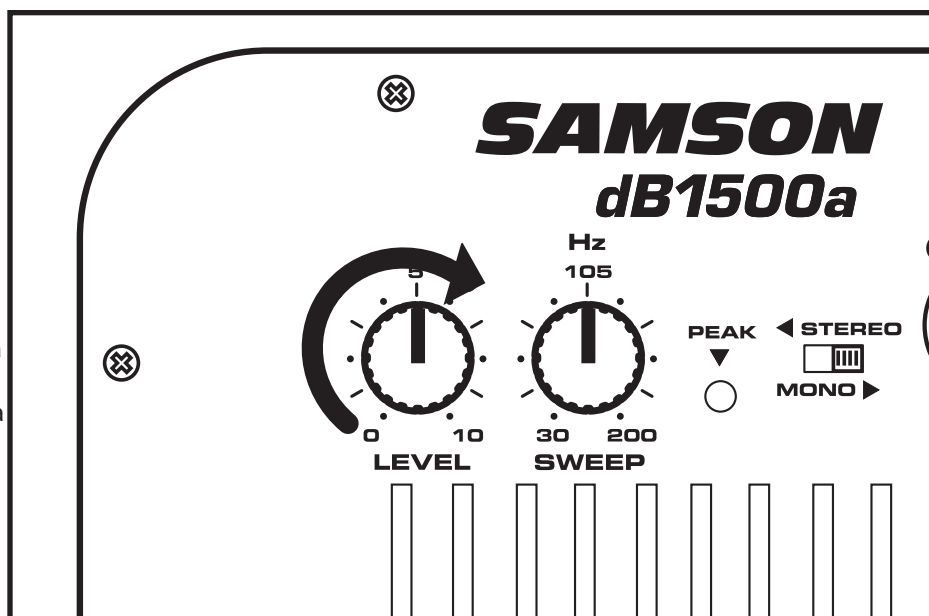
Utilizar del dB1500a y dB1500a

PANEL DE CONTROL DEL dB1500a

Los paneles de control del dB1500a y dB1800a le ofrecen las conexiones y el interface de usuario para el control del crossover electrónico interno y la sección de etapa de potencia del dB1500a y dB1800a. El amplificador interno es un amplificador de seguimiento de 500 vatios capaz de producir una salida de bajos increíble mientras funciona de manera muy tranquila, y al mismo tiempo pesa la mitad que los amplificadores de potencia convencionales. El dB1500a y dB1800a emplean un crossover electrónico que ajusta el punto de corte de los agudos para el subwoofer, y también una salida con filtro pasa-altos para la conexión de sus altavoces satélites. Con la conexión de unos altavoces satélites en las salidas pasa-altos del dB1500a y dB1800a conseguirá una gran mejora en cuanto a calidad de sonido. La razón de esto es que cuando sus altavoces satélites reciban la salida filtrada procedente del dB1500a y dB1800a, ya no esperarán la entrada de las frecuencias que estén por debajo del punto de crossover. Imagine que su altavoz satélite tiene un límite de frecuencia de 70 Hz, y que envía toda la gama de señal (desde los 20Hz) al amplificador y altavoz satélites. Aunque el altavoz sólo puede reproducir desde los 70Hz hacia arriba, el amplificador seguirá enviando 20-70Hz, con lo cual se desperdicia potencia que básicamente se convierte en calor. Cuando utilice la salida pasa-altos del dB1500a y dB1800a, el amplificador y los altavoces satélites ya no recibirán las frecuencias que estén por debajo de la que haya ajustado con el mando de frecuencia de barrido (Sweep). Esto significa que dispondrá de más potencia para las frecuencias que deban reproducir los satélites, lo cual resultará en un sonido más limpio con más margen de maniobra.

Control de nivel

El control de nivel (level) se usa para ajustar la cantidad de volumen emitido por el subwoofer dB1500a o dB1800a. Además, el control LEVEL también controlará el volumen de salida de las salidas de paso alto. De esta forma, si utiliza el dB1500a o dB1800a sin usar las salidas con pasa-altos (por ejemplo, cuando tenga el dB1500a o dB1800a conectados a un crossover externo), el control Level ajustará solo la salida de bajas frecuencias del dB1500a o dB1800a. Si utiliza el crossover electrónico interno del dB1500a o dB1800a para dar señal a altavoces satélites, entonces el control Level ajustará el volumen global de todo el sistema.



Barrido

El control Sweep le permite elegir la frecuencia de corte del rango agudo del crossover electrónico interno del dB1500a y dB1800a. Este crossover trabaja con una curva de filtro Linkwitz- Riley de 12 dB por octava. El control Sweep limita el contenido de altas frecuencias que serán reproducidas por el dB1500a y dB1800a, y a la vez fija el límite de frecuencias graves que serán reproducidas a través de las salidas pasa-altos.

Conmutador estéreo / mono

El conmutador STEREO / MONO selecciona el modo estéreo o mono. Cuando lo ajuste a MONO, el dB1500a y dB1800a combinarán, o sumarán, las señales izquierda y derecha y enviarán una señal mono al amplificador del dB1500a y dB1800a. En este modo, la señal estéreo original pasa a través de las salidas izquierda y derecha una vez esta señal estéreo se ha filtrado a la frecuencia ajustada por el control SWEEP. En el modo STEREO la señal de frecuencia baja no se suma, y podrá seleccionar la entrada izquierda o derecha para cada lado del sistema.

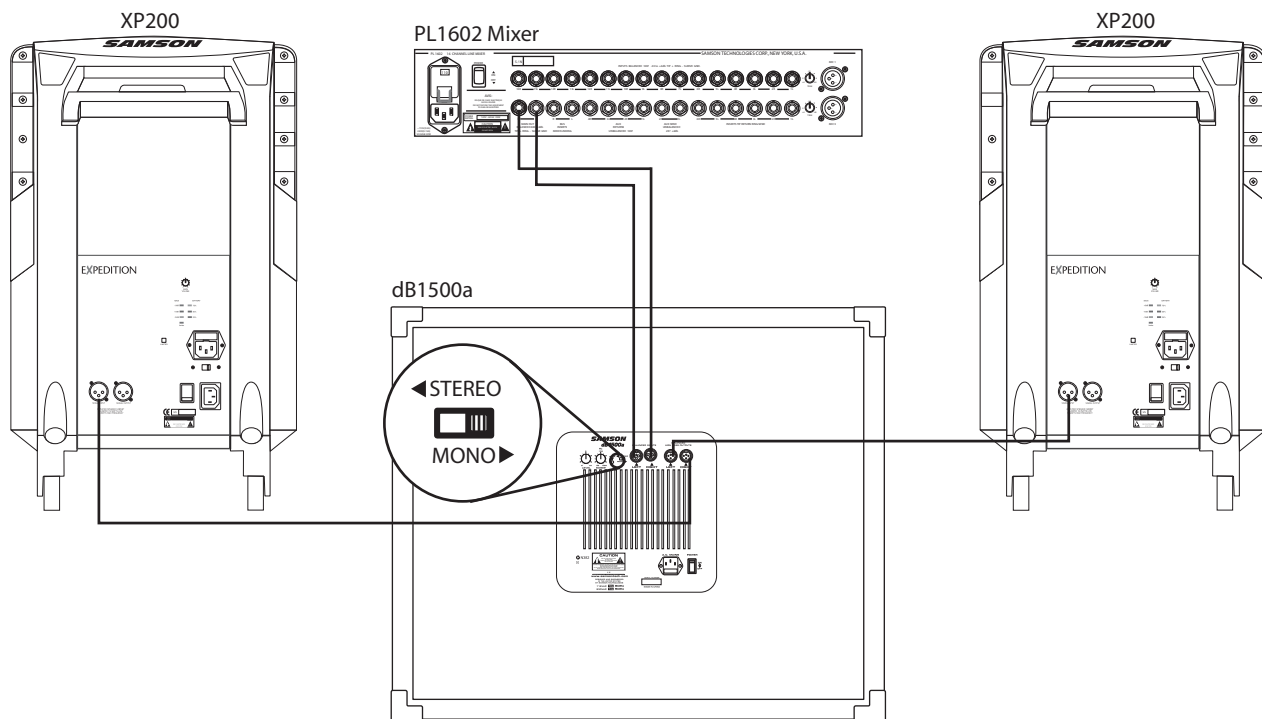
Las entradas y las salidas

El dB1500a y dB1800a dispone de entradas y salidas electrónicamente balanceadas, lo que le permitirá reducir cualquier posible problema de ZUMBIDOS en la interconexión a otros aparatos. Los conectores XLR con patillas estándar se utilizan para interconectar de manera sencilla mezcladores y otros equipos de audio. En la sección "Conexiones del dB1500a y dB1800a" en la página 44 de este manual encontrará un detallado diagrama de cableado de estas unidades.

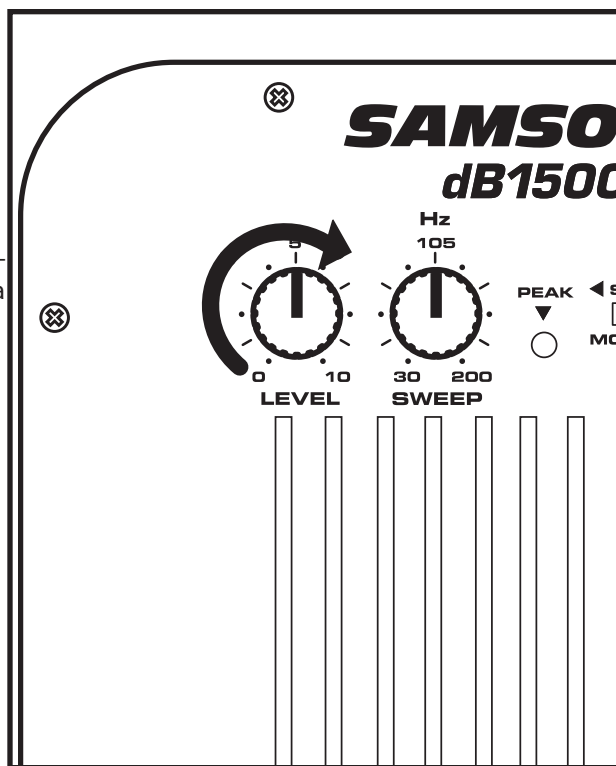
Utilizar del dB1500a y dB1800a

dB1500a EN MODO MONO CON ALTAVOCES SATÉLITES AUTOAMPLIFICADOS

El dB1500a o dB1800a es la compañía perfecta para cualquier par de recintos acústicos autoamplificados de rango completo como los Samson dB500a, XP200 y XP300. Aquí abajo puede ver una configuración de un sistema típico en el que se usa el dB1500a o dB1800a con una mesa de mezclas y un par de altavoces satélites autoamplificados. Las entradas y salidas del dB1500a y dB1800a usan conectores standard XLR. Si quiere ver un diagrama de cableado completo, vaya a "Conexiones del dB1500a y dB1800a" en la página 44 de este manual. Siga los pasos que se dan después del esquema para configurar el sistema.



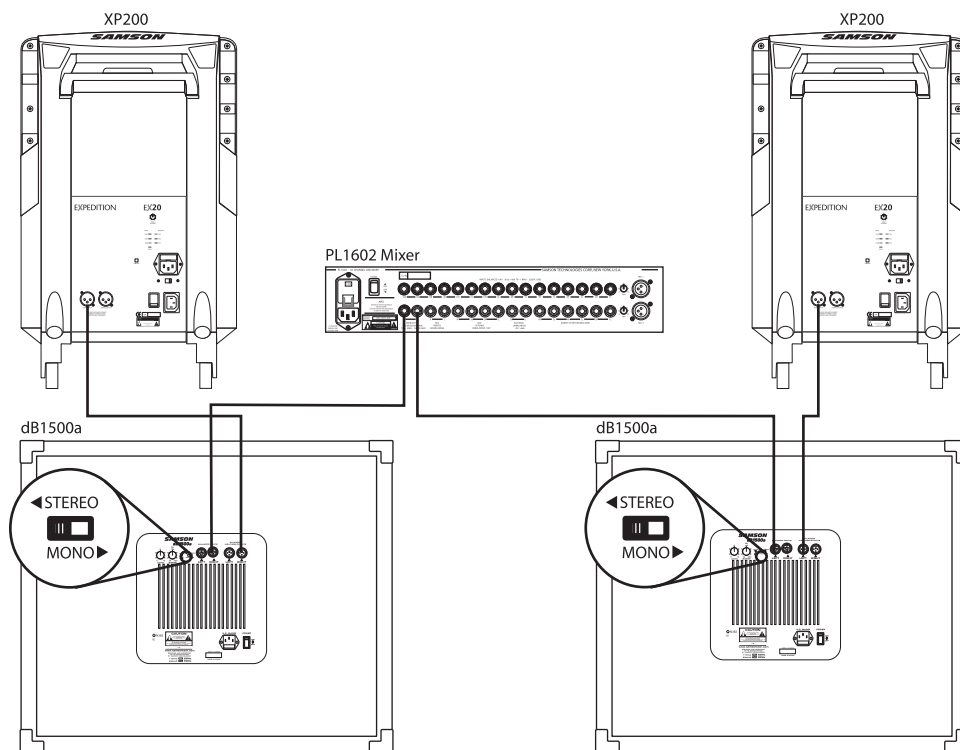
- Conecte las salidas izquierda y derecha de la mesa de mezclas a las entradas izquierda y derecha (respectivamente) del dB1500a o dB1800a. Conecte después la salida izquierda del dB1500a o dB1800a a la entrada del altavoz satélite del lado izquierdo y haga lo mismo con la salida derecha y el altavoz satélite del lado derecho. Coloque el conmutador Stereo/Mono en la posición MONO.
- Ahora ajuste SWEEP del separador de frecuencias a la frecuencia deseada. Si está usando un recinto autoamplificado de otra marca como altavoces satélites con el dB1500a o dB1800a, consulte los manuales de instrucciones de dichas unidades para saber cuál es el punto de crossover recomendado.
- Baje las salidas principales del mezclador al mínimo. Ahora ajuste el nivel de los altavoces satélites autoamplificados al nivel operativo normal. Haga pasar una señal de audio (como música de un CD) a través del mezclador y suba el nivel hasta un volumen de escucha confortable. Después, suba lentamente la posición del control Level del dB1500a o dB1800a y escuche la salida de bajas frecuencias. Ajuste el dB1500a o dB1800a al nivel que quiera para la salida de graves. Una vez hecho eso, cuando suba o baje la salida de la mesa de mezclas, el dB1500a o dB1800a y los satélites seguirán con el mismo volumen relativo.



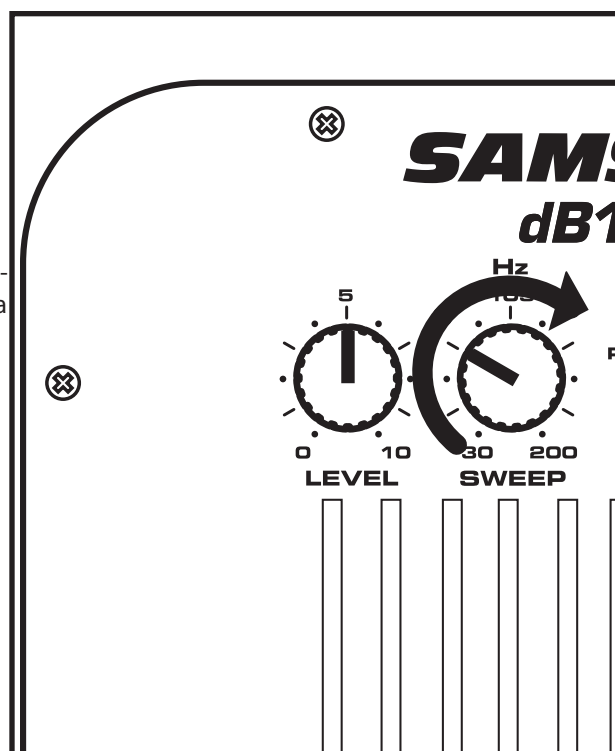
Utilizar del dB1500a y dB1800a

dB1500a EN MODO ESTÉREO CON ALTAVOCES SATÉLITES AUTOAMPLIFICADOS

Puede usar dos dB1500a o dB1800a con cualquier par de recintos acústicos autoamplificados de rango completo como los Samson dB500a, XP200 y XP300. Aquí abajo puede ver la configuración de un sistema típico en el que se usan dos dB1500a o dB1800a con una mesa de mezclas y un par de altavoces satélites autoamplificados. Las entradas y salidas del dB1500a y dB1800a usan conectores XLR standard. Si quiere ver un diagrama de cableado completo, vaya a "Conexiones del dB1500a y dB1800a" en la página 44 de este manual. Siga los pasos que se dan después del esquema para configurar el sistema.



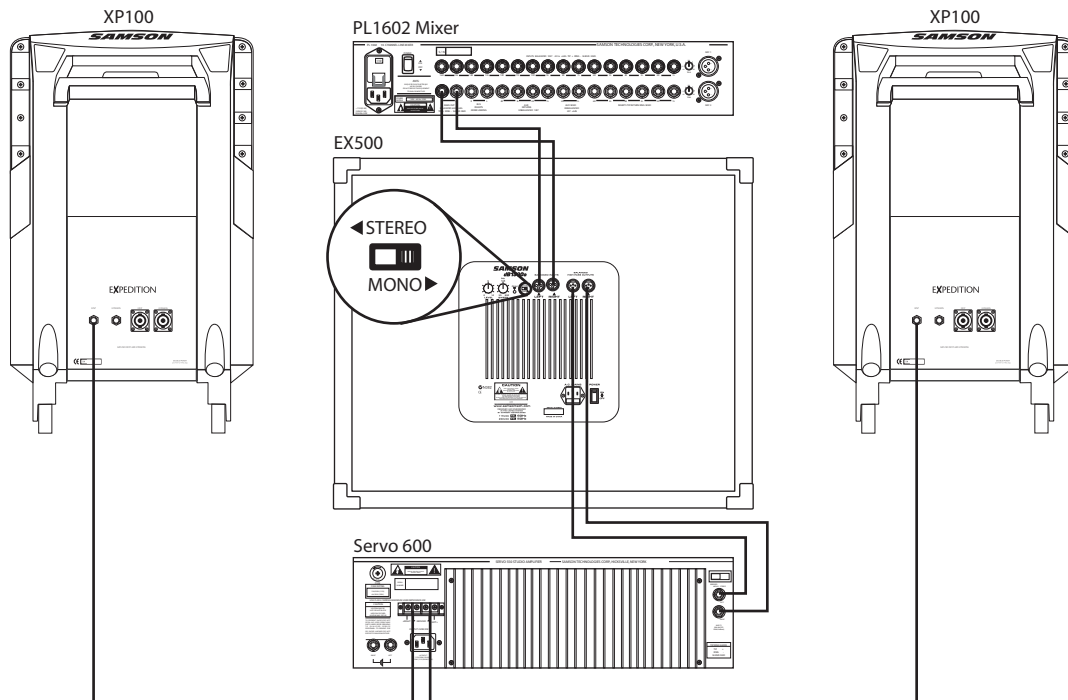
- Conecte las salidas izquierda y derecha de la mesa de mezclas a las entradas izquierda y derecha (respectivamente) del dB1500a o dB1800a. Conecte después la salida izquierda del dB1500a o dB1800a a la entrada del altavoz satélite del lado izquierdo y haga lo mismo con la salida derecha y el altavoz satélite del lado derecho. Coloque ambos conmutadores Stereo/Mono en la posición STEREO.
- Ahora ajuste SWEEP del separador de frecuencias a la frecuencia deseada. Si está usando un recinto autoamplificado de otra marca como altavoces satélites con el dB1500a o dB1800a, consulte los manuales de instrucciones de dichas unidades para saber cuál es el punto de crossover recomendado.
- Baje las salidas principales del mezclador al mínimo. Ahora ajuste el nivel de los altavoces satélites autoamplificados al nivel operativo normal. Haga pasar una señal de audio (como música de un CD) a través del mezclador y suba el nivel hasta un volumen de escucha confortable. Después, suba lentamente la posición del control Level del dB1500a o dB1800a y escuche la salida de bajas frecuencias. Ajuste el dB1500a o dB1800a al nivel que quiera para la salida de graves. Una vez hecho eso, cuando suba o baje la salida de la mesa de mezclas, el dB1500a o dB1800a y los satélites seguirán con el mismo volumen relativo.



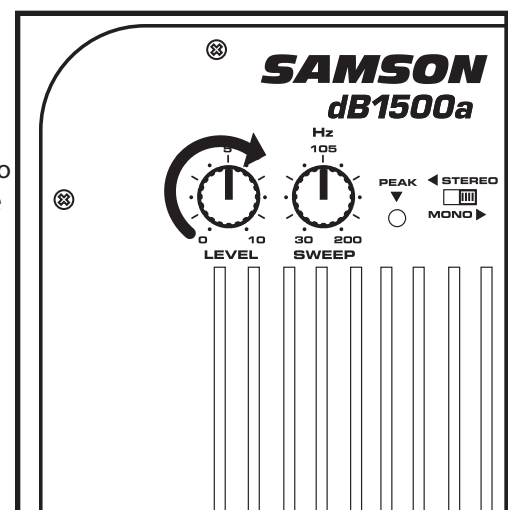
Utilizar del dB1500a y dB1800a

dB1500a EN MODO MONO CON ALTAVOCES SATÉLITES PASIVOS

Si su sistema usa una etapa de potencia stereo standard y recintos acústicos pasivos de rango completo, como los Samson dB500 y XP100, podrá interconectar fácilmente el dB1500a o dB1800a para ampliar la respuesta en graves. Aquí abajo puede ver la configuración de un sistema típico en el que se usa el dB1500a o dB1800a con una mesa de mezclas, una etapa de potencia stereo y un par de recintos acústicos satélites pasivos. Las entradas y salidas del dB1500a y dB1800a usan conectores XLR standard. Siga los pasos que se dan después del esquema para configurar el sistema.



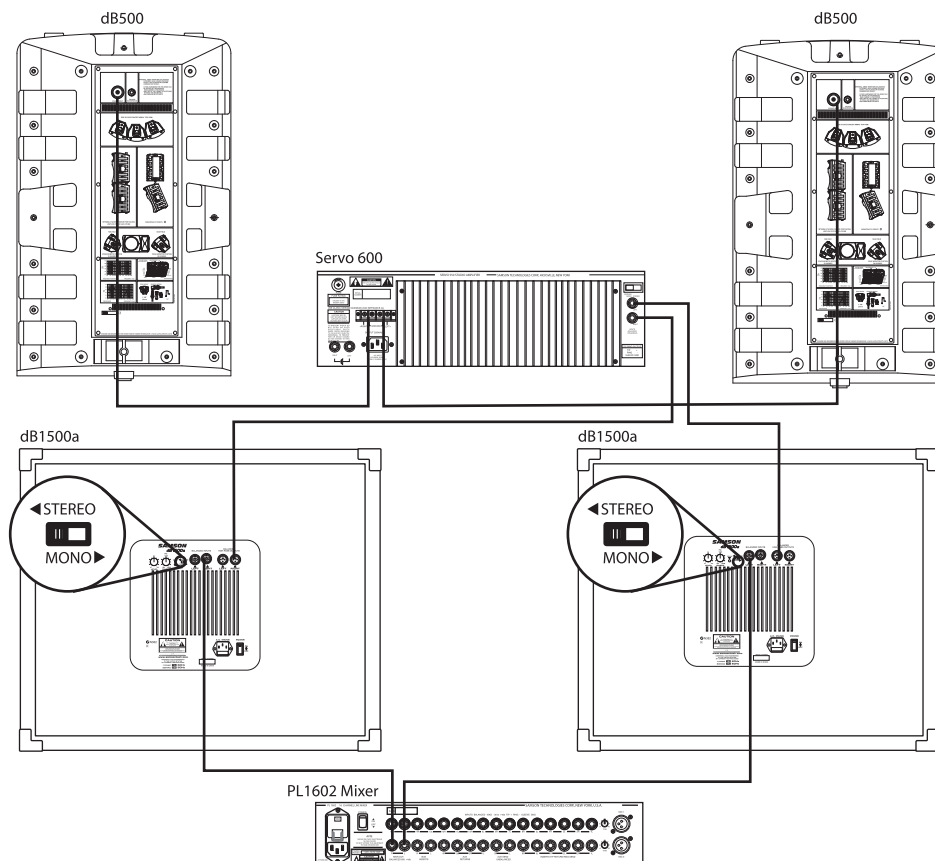
- Baje las salidas principales del mezclador al mínimo.
- Conecte las salidas izquierda y derecha de la mesa de mezclas a las entradas izquierda y derecha (respectivamente) del dB1500a o dB1800a. Conecte después la salida izquierda del dB1500a o dB1800a a la entrada del altavoz satélite del lado izquierdo y haga lo mismo con la salida derecha y el altavoz satélite del lado derecho. Coloque el conmutador Stereo/Mono en la posición MONO.
- Ahora ajuste SWEEP del separador de frecuencias a la frecuencia deseada. Si está usando un recinto autoamplificado de otra marca como altavoces satélites con el dB1500a o dB1800a, consulte los manuales de instrucciones de dichas unidades para saber cuál es el punto de cross-over recomendado.
- Ahora ajuste el nivel de los amplificadores de potencia al nivel operativo normal. Haga pasar una señal de audio (como música de un CD) a través del mezclador y suba el nivel hasta un volumen de escucha confortable. Después, suba lentamente la posición del control Level del dB1500a o dB1800a y escuche la salida de bajas frecuencias. Ajuste el dB1500a o dB1800a al nivel que quiera para la salida de graves. Una vez hecho eso, cuando suba o baje la salida de la mesa de mezclas, el dB1500a o dB1800a y los satélites seguirán con el mismo volumen relativo.



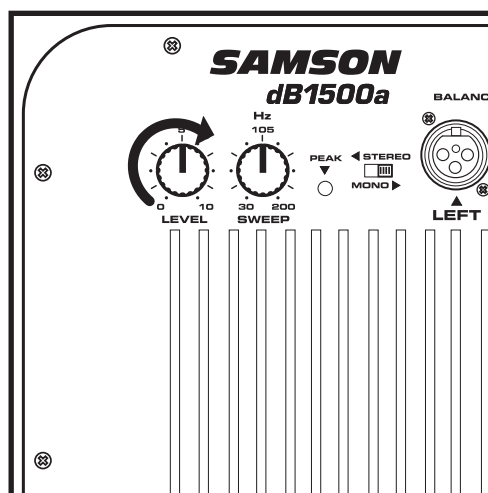
Utilizar del dB1500a y dB1800a

dB1500a EN MODO ESTÉREO CON ALTAVOCES SATÉLITES PASIVOS

Si su sistema usa una etapa de potencia stereo standard y recintos acústicos pasivos de rango completo, como los Samson dB500 y XP100, podrá interconectar fácilmente el dB1500a o dB1800a para ampliar la respuesta en graves. Aquí abajo puede ver la configuración de un sistema típico en el que se usa el dB1500a o dB1800a con una mesa de mezclas, una etapa de potencia stereo y un par de recintos acústicos satélites pasivos. Las entradas y salidas del dB1500a y dB1800a usan conectores XLR standard. Siga los pasos que se dan después del esquema para configurar el sistema.



- Baje las salidas principales del mezclador al mínimo.
- Conecte las salidas izquierda y derecha de la mesa de mezclas a las entradas izquierda y derecha (respectivamente) del dB1500a o dB1800a. Conecte después la salida izquierda del dB1500a o dB1800a a la entrada del altavoz satélite del lado izquierdo y haga lo mismo con la salida derecha y el altavoz satélite del lado derecho. Coloque el conmutador Stereo/Mono en la posición STEREO.
- Ahora ajuste SWEEP del separador de frecuencias a la frecuencia deseada. Si está usando un recinto autoamplificado de otra marca como altavoces satélites con el dB1500a o dB1800a, consulte los manuales de instrucciones de dichas unidades para saber cuál es el punto de crossover recomendado.
- Ahora ajuste el nivel de los amplificadores de potencia al nivel operativo normal. Haga pasar una señal de audio (como música de un CD) a través del mezclador y suba el nivel hasta un volumen de escucha confortable. Después, suba lentamente la posición del control Level del dB1500a o dB1800a y escuche la salida de bajas frecuencias. Ajuste el dB1500a o dB1800a al nivel que quiera para la salida de graves. Una vez hecho eso, cuando suba o baje la salida de la mesa de mezclas, el dB1500a o dB1800a y los satélites seguirán con el mismo volumen relativo.

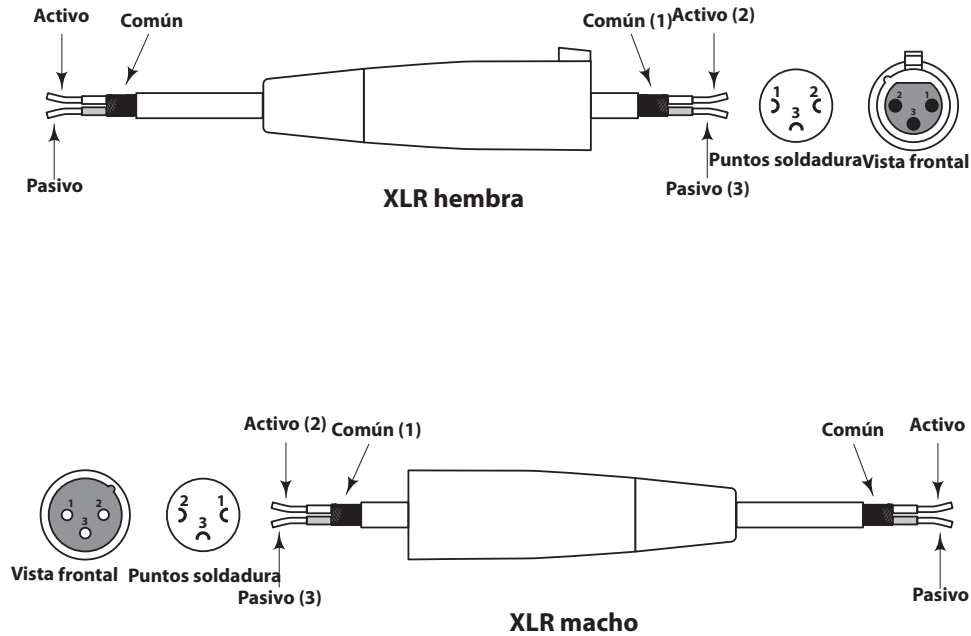


Conexiones

ESQUEMA DE CABLEADO DE LOS CONECTORES XLR DEL dB1500a

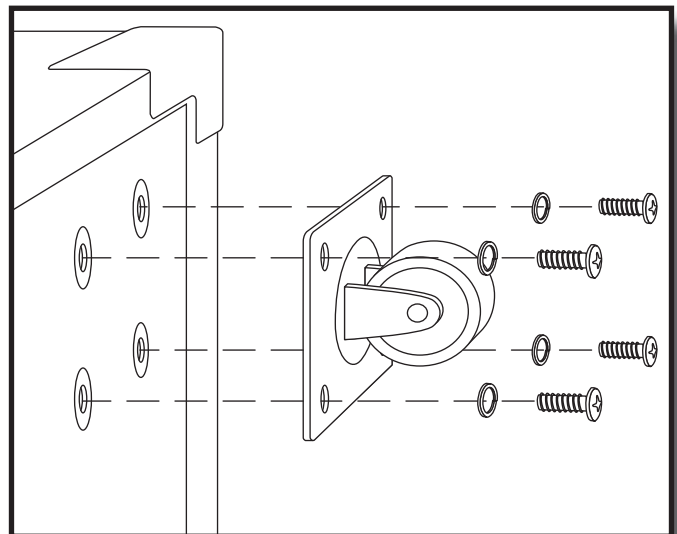
Las entradas y salidas del dB1500a y dB1800a usan conectores XLR standard. Aquí abajo puede ver un diagrama detallado del cableado de los conectores XLR del dB1500a o dB1800a.

Esquema de cableado de un conector XLR equilibrado



INSTALACIÓN DE LAS RUEDAS

- Localice las cuatro ruedas en la caja en que ha recibido el dB1500a.
- Ahora localice los cuatro receptáculos para las ruedas, que se encuentran en las cuatro esquinas de la parte posterior de la unidad.
- Inserte la rueda en el receptáculo hasta que quede fijada en su posición.
- Coloque el dB1500a sobre su parte posterior para poder transportarlo más fácilmente.



Vi ringraziamo per aver acquistato il Subwoofer Attivo dB1500a o dB1800a Samson. Il dB1500a ed il dB1800a sono subwoofer auto-amplificati che dispongono di un altoparlante "heavy duty" per le basse frequenze di progettazione specifica accoppiato ad un robusto amplificatore di potenza ed il risultato è una soluzione compatta e completa in grado di aggiungere una profonda risposta sui bassi a qualsiasi sistema PA. Sono subwoofer elegantemente dotati di altoparlanti a caricamento frontale posti dietro una robusta griglia in acciaio e, sul retro dei loro mobili, in posizione rientrata, sono visibili i finali di potenza di bordo. Dotati di potenza da vendere, i finali di potenza del dB1500a e del dB1800a dimostrano un valore di 1000 watt musicali e di 500 watt RMS. Dispongono inoltre di un crossover stereo attivo interno con frequenza di taglio regolabile per l'alimentazione di casse acustiche satellite sull'intero spettro audio. I loro altoparlanti per le basse frequenze ad escursione ampia, da 15 pollici per il dB1500a e da 18 pollici per il dB1800a, dispongono di una massiccia struttura meccanica e di un'ampia bobina voce con cono increspato e contorno in butile che genera una risposta sui bassi compatta e di volume molto elevato che rimane sempre ben definita. Il cablaggio del dB1500a e del dB1800a è facile dato che la sezione di amplificazione sfrutta connettori XLR standard. La costruzione in robusto compensato da 3/4 di pollice, gli angoli in acciaio, le ampie maniglie, la copertura in moquette spessa e le comode rotelle rendono il dB1500a ed il dB1800a dei guerrieri della strada. Nei sistemi ad installazione fissa, questi subwoofer generano una uscita in bassa frequenza estremamente solida a partire da un mobile relativamente piccolo e poco ingombrante. Il dB1500a ed il dB1800a sono il complemento perfetto per il vostro sistema di casse acustiche Serie dB o Expedition, oppure per qualsiasi sistema di amplificazione per il quale si desidera una risposta estesa alle basse frequenze. Col dB1500a o con il dB1800a otterrete ovunque bassi alla grande.

In queste pagine troverete una descrizione dettagliata delle caratteristiche dei subwoofer dB1500a e dB1800a, la descrizione dei loro pannelli frontali e posteriori, istruzioni passo a passo per il collegamento e l'uso e le specifiche complete. Troverete anche inclusa la garanzia che vi preghiamo di compilare e inviare per posta, per permettervi di ricevere supporto tecnico in linea e informazioni aggiornate su questo e su altri futuri prodotti Samson.

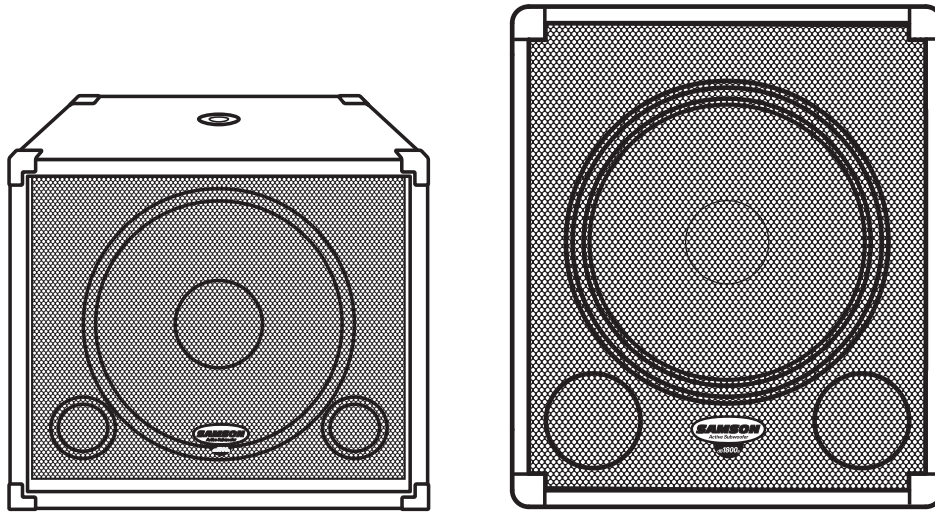
Se lo trattate con cura garantendogli una buona ventilazione, il vostro dB1500a o dB1800a sarà in grado di funzionare senza problemi per molti anni. Vi raccomandiamo di registrarne il numero di serie nell'apposito spazio che segue, a memoria futura.

Numero di serie: _____

Data d'acquisto: _____

Dovesse mai accadere che il vostro sistema necessiti di un intervento in assistenza, contattate il distributore Samson Italiano **m. casale bauer** via mail all'indirizzo info@casalebauer.com oppure telefonicamente allo 051 - 766.648. Vi preghiamo di conservare i materiali di imballo originali e di usarli in caso di spedizione.

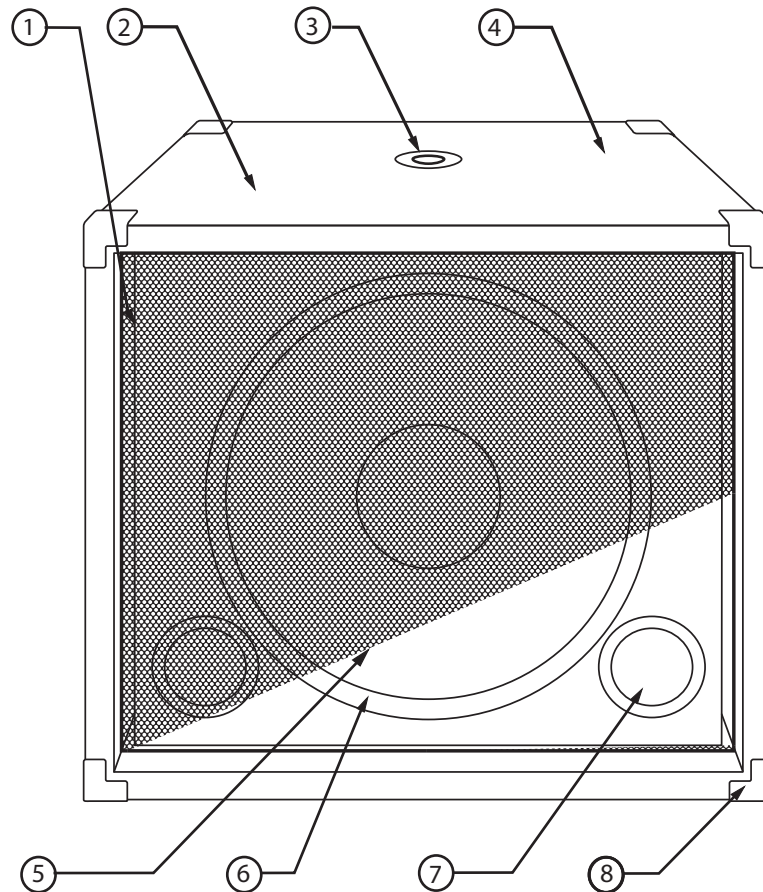
dB1500a - Le Caratteristiche



I Subwoofer Amplificati dB1500a e dB1800a Samson sfruttano la tecnologia più avanzata in fatto di progettazione di casse acustiche e di finali di potenza. Ecco di seguito alcune delle loro caratteristiche.

- Entrambi i subwoofer sfruttano altoparlanti per le basse frequenze con meccanica massiccia, robusta incastellatura in acciaio e coni trattati con contorno in gomma di butile. Il dB1500a dispone di un woofer da 15 pollici con bobina voce da 2 pollici e mezzo (65 mm.) e magnete da 67 onces (1,9 kg.). Il dB1800a dispone di un woofer da 18 pollici con bobina voce da 3 pollici (75 mm.) e magnete da 102 onces (2,9 kg.).
- Amplificatore di Potenza interno da 1000 Watt
- Uscite Bilanciate in Passa-alto per le Casse Acustiche Satelliti
- Crossover regolabile da 30 a 200 Hz
- Commutatore di Funzionamento Stereo / Mono
- Controllo di Volume
- Ruote "Heavy-duty" installate posteriormente
- Maniglie particolarmente ampie per facilitarne il trasporto
- Ricettacolo da 35mm per l'installazione di un'asta
- Griglia in Acciaio "Heavy-duty"
- Costruzione in Compensato da 3/4 di pollice, rinforzato all'interno e ricoperto in moquette spessa
- Garanzia estesa a tre anni (valida per il mercato Statunitense)

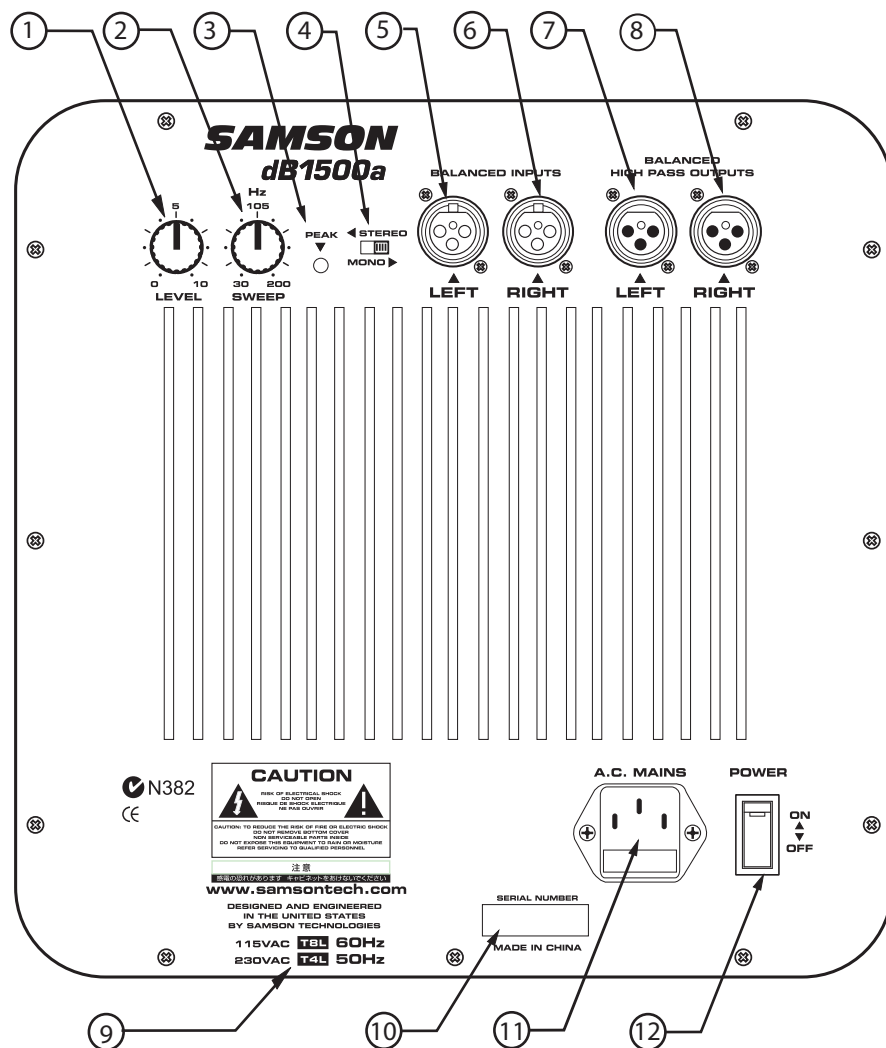
Il Pannello Frontale



- 1 GRIGLIA DI PROTEZIONE** - realizzata in robusto acciaio, fornisce una protezione elegante e duratura per l'altoparlante.
- 2 MOBILE** - costruito in Compensato da 3/4".
- 3 PREDISPOSIZIONE PER ASTA** - ricettacolo da 35mm (1 pollice e 3/8) per asta standard per cassa acustica.
- 4 FINITURA** - in robusta moquette a prova di uso dal vivo.
- 5 TRASDUTTORE** - altoparlante "Heavy-duty" da 15" con risposta estesa alle basse frequenze.
- 6 CONTORNO IN GOMMA DI BUTILE** - assicura la massima escursione pur mantenendo una solida risposta sui bassi.
- 7 APERTURE ACCORDATE** - il design silenzioso ad aperture accordate offre una risposta in bassa frequenza estesa e lineare.
- 8 ANGOLI** - angoli in acciaio "Heavy-duty".

Controlli e Funzioni

Il Pannello Posteriore



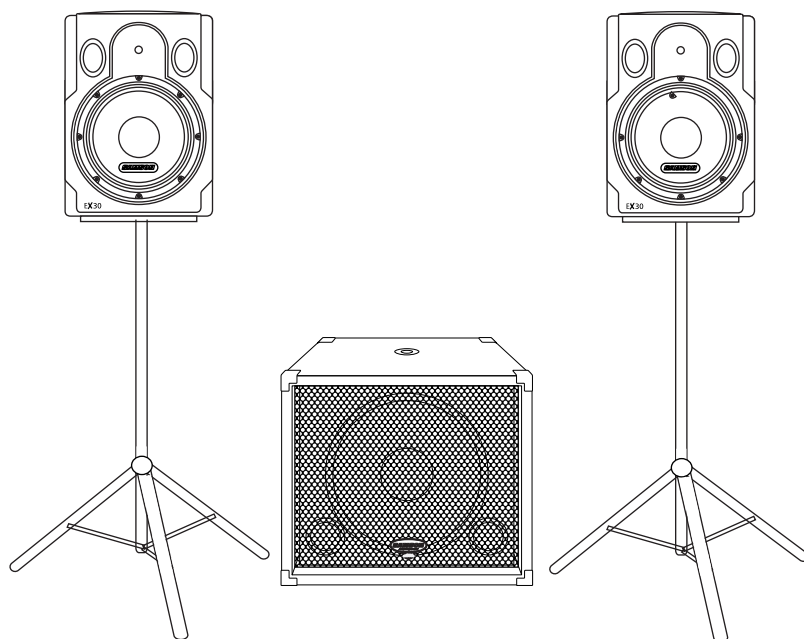
- 1 LIVELLO** - controlla la quantità di volume in uscita.
- 2 SWEEP (TAGLIO)** - regola l'estremo dell'intervallo di estensione in bassa frequenza delle uscite in Passa-alto.
- 3 LED DI PICCO** - si accende quando il segnale in ingresso sovraccarica il finale di potenza.
- 4 INTERRUPTORE STEREO/MONO** - seleziona il funzionamento in stereo o in mono.
- 5 INGRESSO DI SINISTRA** - ingresso XLR Bilanciato.
- 6 INGRESSO DI DESTRA** - ingresso XLR Bilanciato.
- 7 USCITA DI SINISTRA** - uscita XLR Bilanciata.
- 8 USCITA DI DESTRA** - uscita XLR Bilanciata.
- 9 INDICATORE DI TENSIONE** - specifica la tensione in CA in ingresso.
- 10 NUMERO DI SERIE** - è qui che viene indicato il numero di serie dell'unità.
- 11 PRESA IN CA** - accetta un cavo di alimentazione standard.
- 12 INTERRUPTORE DI ACCENSIONE** - attiva il finale di potenza del dB1500a.

Configurazioni di Sistema

Prima di cominciare ad effettuare i collegamenti, prendetevi un minuto per decidere come interfacciare il vostro nuovo subwoofer. Potete interfacciare il dB1500a e il dB1800a in molti modi, ma la maggior parte delle configurazioni di sistema ricadono in due categorie, a seconda se il funzionamento del sub è in Stereo o in Mono (in Comune).

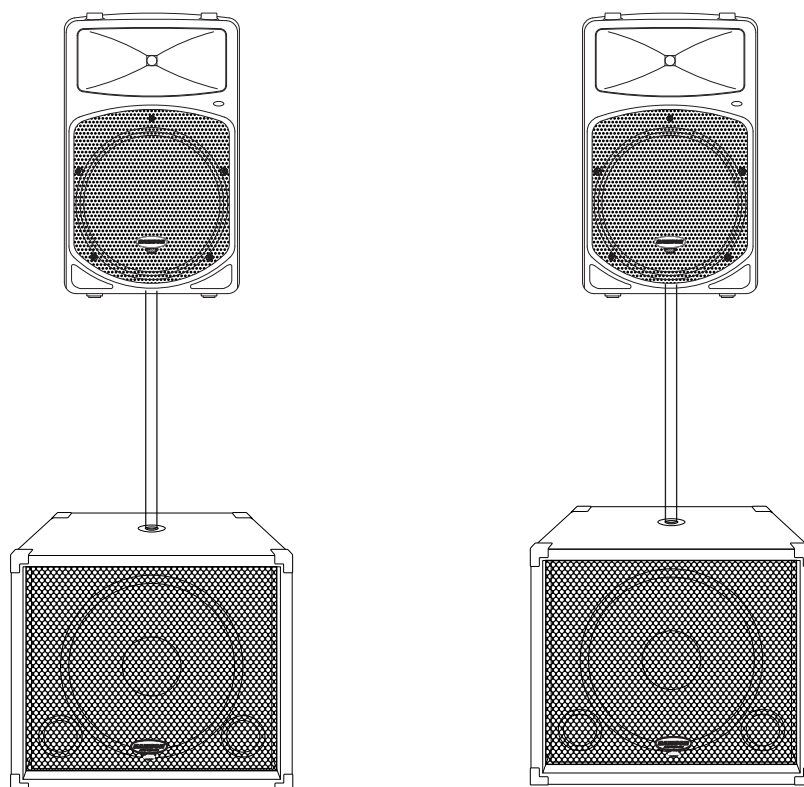
Il Sub in Comune

In molti casi è preferibile il sub in comune. Questo per molte ragioni, ma soprattutto perché le basse frequenze prodotte da un subwoofer tendono ad essere non-direzionali. Dato che le onde a bassa frequenza hanno bisogno di molto spazio per svilupparsi effettivamente, è impossibile capire se i bassi del sub provengono da destra o da sinistra a meno che, naturalmente, non ci si trovi in un ambiente davvero ampio. A causa di questo fenomeno, praticamente tutto il materiale dei bassi per il sub viene missato in mono.



Il Sub in Stereo

Negli ambienti più ampi, oppure nelle installazioni nei teatri o nei parchi a tema (per effetti audio speciali in bassa frequenza), è possibile usare due dB1500a o due dB1800a in stereo.



L'Uso del dB1500a e dB1800a

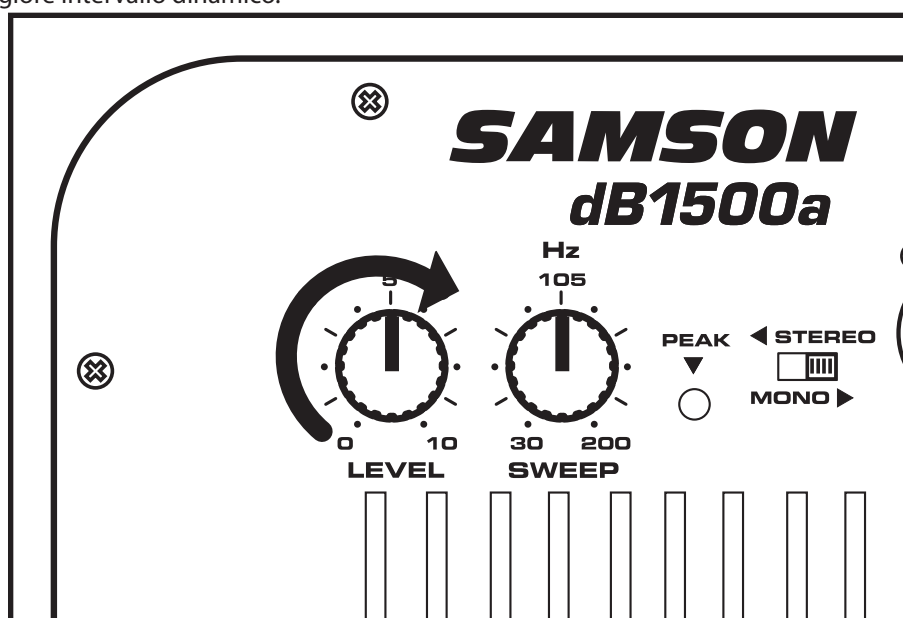
IL PANNELLO DI CONTROLLO DEL dB1500a

I pannelli di controllo del dB1500a e del dB1800a forniscono tutti i collegamenti e l'interfaccia utente per il crossover elettronico interno e la sezione di amplificazione dell'unità. L'amplificatore interno è un finale di potenza da 1000 Watt capace di produrre una uscita incredibile alle basse frequenze. Il dB1500a ed il dB1800a impiegano un crossover elettronico che regola sia il punto di taglio alle frequenze acute del subwoofer che l'uscita in passa-alto per le casse acustiche satelliti. Alimentando le casse satelliti dalle uscite Passa-Alto del dB1500a o del dB1800a otterrete un notevole miglioramento della qualità sonora. Questo è dovuto al fatto che quando le casse satelliti ricevono l'uscita filtrata dal dB1500a o dal dB1800a, non si occupano più delle frequenze al di sotto del punto di crossover. Per esempio, immaginiamo che i vostri satelliti abbiano una estensione di frequenza naturale fino ai 70 Hz e che li alimentate con segnali sull'intero spettro audio (che scende fino a 20 Hz). Anche se si tratta di casse che possono riprodurre solo dai 70 Hz in su, dall'amplificatore viene comunque presentato in uscita l'intervallo dai 20 ai 70 Hz e si tratta di potenza sprecata che in ultima analisi si trasforma in calore. Quando si usano le uscite in Passa-Alto del dB1500a e del dB1800a, all'amplificatore ed alle casse acustiche satellite non viene inviata nessuna frequenza al di sotto della frequenza scelta dal controllo di Sweep.

Questo significa che c'è maggiore potenza dedicata alle frequenze che volete che i satelliti riproducano ed il risultato è un suono molto più pulito con un maggiore intervallo dinamico.

Controllo di Livello

Il controllo di Livello permette di regolare il volume del subwoofer dB1500a o dB1800a. Inoltre, controlla anche il volume presentato in uscita dalle uscite in passa-alto. Dunque, se usate il dB1500a o il dB1800a senza usare le uscite in passa-alto (per esempio quando il dB1500a o il dB1800a sono collegati ad un crossover esterno), il controllo di Livello regola l'uscita in bassa frequenza del dB1500a o del dB1800a. Se usate il crossover elettronico interno del dB1500a o del dB1800a per alimentare casse satelliti, allora il controllo di Livello regola il volume generale dell'intero sistema.



Controllo "Sweep"

Il controllo di Sweep (Intervallo) sceglie l'intervallo superiore della frequenza di taglio del crossover elettronico interno del dB1500a e del dB1800a. Il crossover del dB1500a e del dB1800a fornisce una curva di filtro di tipo Linkwitz-Riley a 12dB per ottava. Lo Sweep regola la frequenza più acuta che il dB1500a e il dB1800a riproducono e, contemporaneamente, le uscite del passa-alto tracciano la frequenza di crossover selezionata come limite inferiore di frequenza per le casse acustiche satelliti.

Commutatore Stereo / Mono

Il commutatore Stereo / Mono permette di scegliere per l'intervallo delle basse frequenze il funzionamento in stereo o in mono. Quando vengono regolati in MONO, il dB1500a ed il dB1800a combinano, ovvero sommano, i segnali di sinistra e di destra ed inviano un segnale mono al loro amplificatore interno. In questo modo, il segnale stereo originale viene fatto passare alle uscite sinistra e destra, solo che qui viene filtrato alla frequenza scelta tramite il controllo di Sweep. Nel modo STEREO, il segnale in bassa frequenza non viene sommato ed è possibile scegliere l'ingresso di sinistra oppure di destra, a seconda del lato di posizionamento all'interno dell'intero sistema.

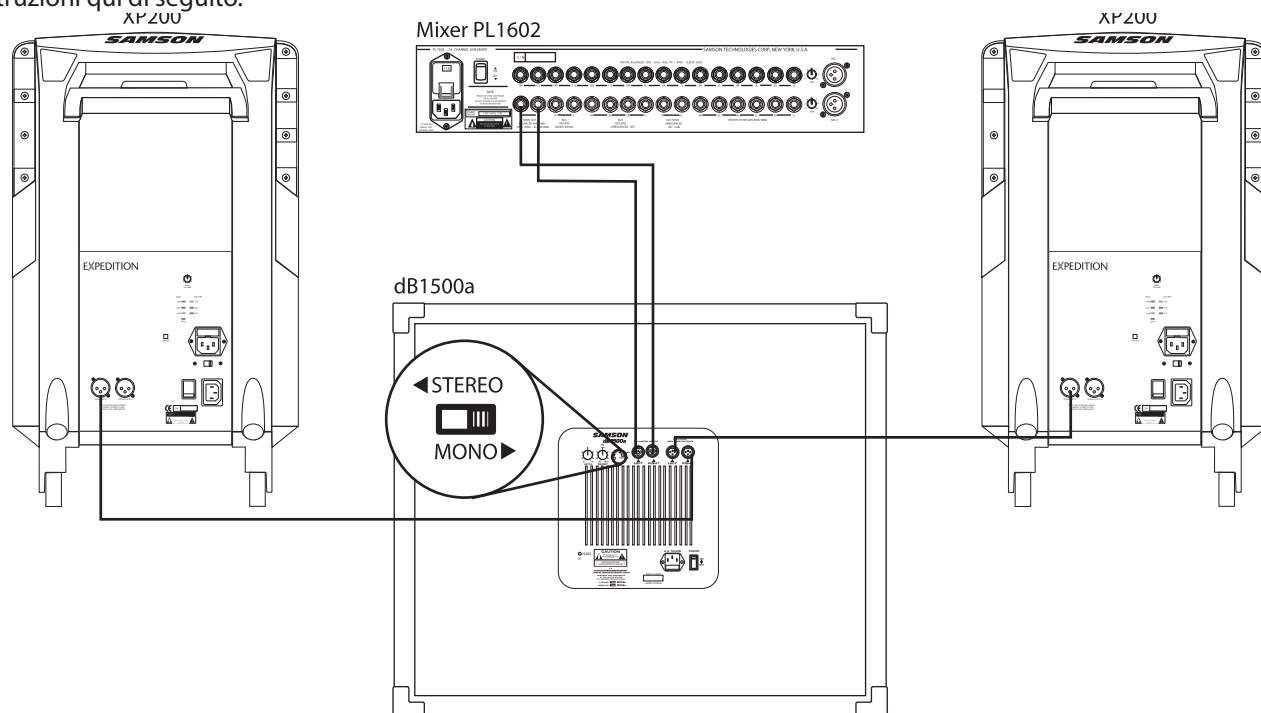
Gli Ingressi e le Uscite

Il dB1500a ed il dB1800a dispongono di ingressi e di uscite bilanciati elettronicamente, per ottenere una notevole riduzione di qualsiasi possibile problema di RONZIO che potrebbe nascere nell'interfacciamento ad altri apparecchi. Vengono usati connettori XLR con il tipico collegamento dei pin interni che è standard nel settore audio. Questo per semplificare l'interfacciamento con il mixer e con gli altri apparecchi audio professionali. A pagina 55 di questo manuale, nei paragrafi dedicati alle "Conessioni del dB1500a e del dB1800a", è disponibile il diagramma dettagliato dei cablaggi.

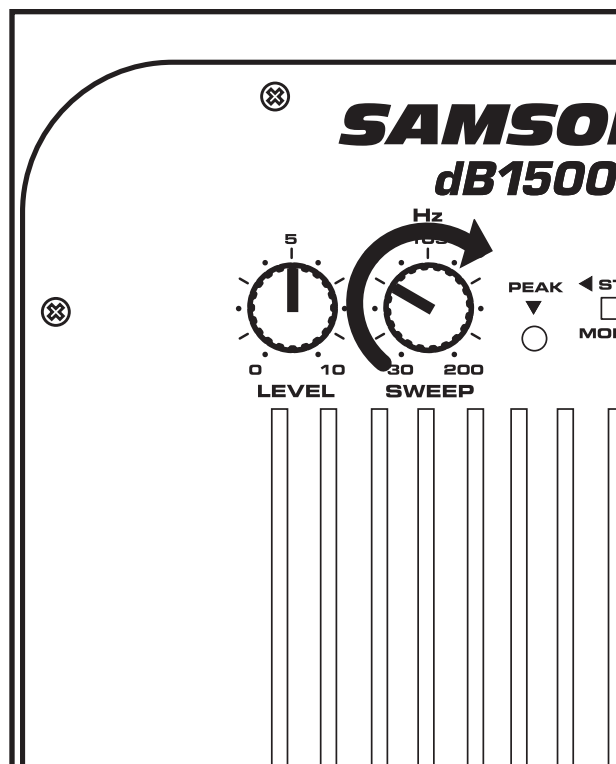
L'Uso del dB1500a e dB1800a

IL SUB dB1500a IN MONO CON SATELLITI AMPLIFICATI

Il dB1500a o il dB1800a sono il complemento perfetto per qualsiasi coppia di casse acustiche sull'intero spettro e amplificate come le dB500a, XP200 e XP300 Samson. Di seguito trovate descritta una tipica configurazione che sfrutta il dB1500a o il dB1800a con un mixer ed una coppia di casse acustiche satelliti attive. Gli ingressi e le uscite del dB1500a e del dB1800a sfruttano connettori XLR standard. Per il diagramma dettagliato di cablaggio, fate riferimento ai paragrafi dedicati alle "Connessioni del dB1500a e del dB1800a" a pagina 55. Per configurare il vostro sistema, fate riferimento alle istruzioni qui di seguito.



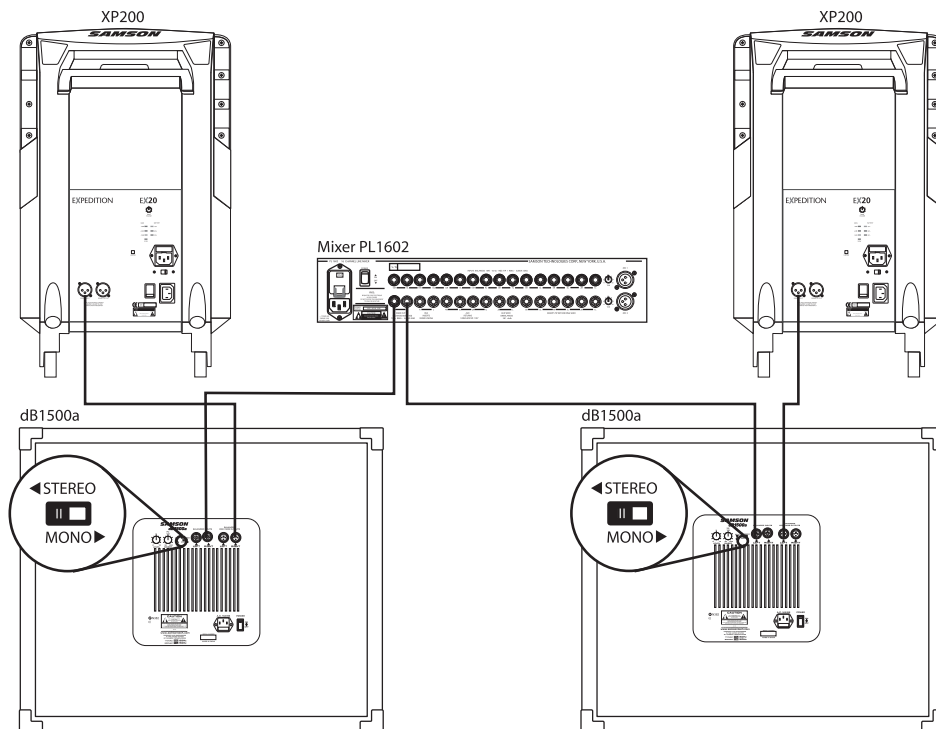
- Collegate l'uscita di sinistra del mixer all'ingresso di sinistra e l'uscita di destra del mixer all'ingresso di destra del dB1500a o del dB1800a. Collegate poi l'uscita di sinistra del dB1500a o del dB1800a all'ingresso del satellite amplificato di sinistra e l'uscita di destra al satellite amplificato di destra. Commutate il selettore Stereo/Mono in posizione MONO.
- A questo punto regolate il controllo di SWEEP del crossover alla frequenza voluta. Se insieme al dB1500a o al dB1800a usate come satelliti casse acustiche amplificate di un altro marchio, consultatene il manuale d'uso per scoprire il punto di crossover raccomandato. Se insieme al dB1500a usate come satelliti casse acustiche amplificate di un altro marchio, consultatene il manuale d'uso per scoprire il punto di crossover raccomandato.
- Chiudete completamente le uscite generali del mixer. Regolate poi il volume dei satelliti amplificati al normale livello operativo. Inviare un segnale audio (ad esempio, musica da CD) dal mixer ed aumentate il volume fino ad un livello di ascolto confortevole. A questo punto alzate lentamente il controllo di Livello del dB1500a o del dB1800a ed ascoltate l'uscita in bassa frequenza. Regolate il dB1500a o il dB1800a in modo che il livello di uscita delle basse frequenze sia quello che desiderate. Da qui in poi, quando alzate o abbassate il livello di uscita dal mixer, il dB1500a o il dB1800a ed i satelliti manterranno tra loro lo stesso volume relativo.



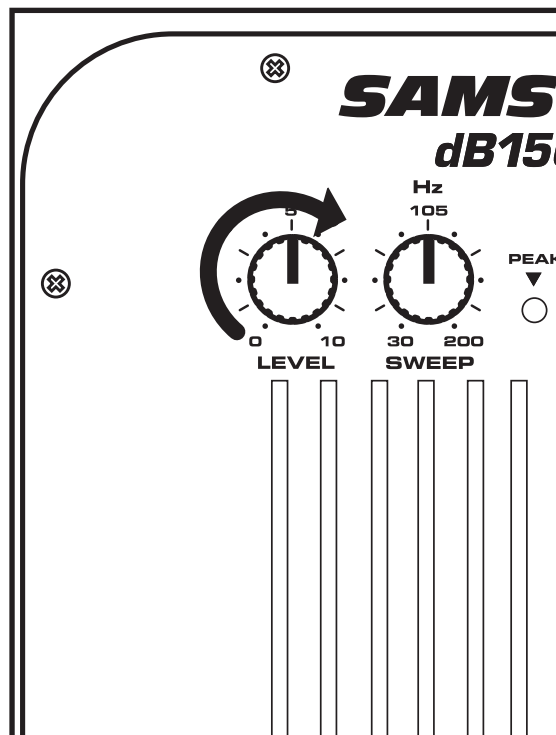
L'Uso del dB1500a e dB1800a

DUE SUB dB1500a IN STEREO CON SATELLITI AMPLIFICATI

È possibile usare due dB1500a o due dB1800a con qualsiasi coppia di casse acustiche sull'intero spettro e amplificate come le dB500a, XP200 e XP300 Samson. Di seguito trovate descritta una tipica configurazione che sfrutta due dB1500a o due dB1800a con un mixer ed una coppia di casse acustiche satelliti attive. Gli ingressi e le uscite del dB1500a e del dB1800a sfruttano connettori XLR standard. Per il diagramma dettagliato di cablaggio, fate riferimento alle apposite istruzioni a pagina 55. Per configurare il vostro sistema, fate riferimento alle istruzioni qui di seguito.



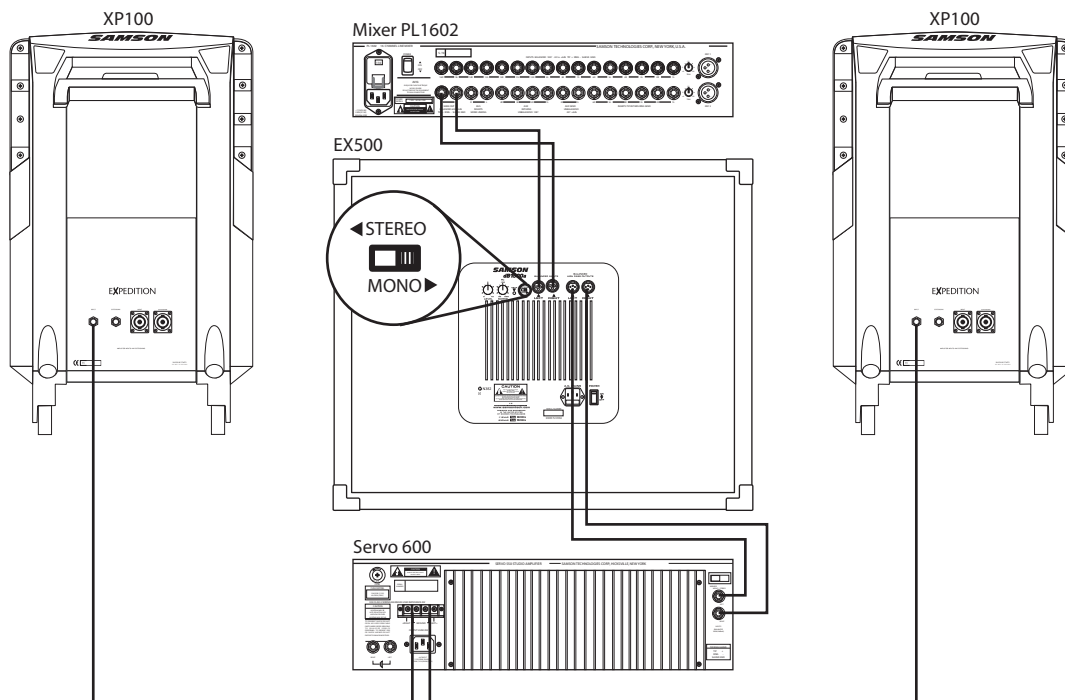
- Collegate l'uscita di sinistra del mixer all'ingresso di sinistra e l'uscita di destra del mixer all'ingresso di destra del dB1500a o del dB1800a. Collegate poi l'uscita di sinistra del dB1500a o del dB1800a all'ingresso del satellite amplificato di sinistra e l'uscita di destra al satellite amplificato di destra. Commutate entrambi i selettori Stereo/Mono dei due dB1500a in posizione STEREO.
- A questo punto regolate i controlli di SWEEP del crossover alla frequenza voluta. Per le dB500a scegliete un valore compreso tra 60 e 80 Hz e per le Expedition XP200 e XP300 scegliete un valore tra 80 e 100 Hz. Se insieme al dB1500a o al dB1800a usate come satelliti casse acustiche amplificate di un altro marchio, consultatene il manuale d'uso per scoprire il punto di crossover raccomandato.
- Chiudete completamente le uscite generali del mixer. Regolate poi il volume dei satelliti amplificati al normale livello operativo. Inviante un segnale audio (ad esempio, musica da CD) dal mixer ed aumentate il volume fino ad un livello di ascolto confortevole. A questo punto alzate lentamente il controllo di Livello del dB1500a o del dB1800a ed ascoltate l'uscita in bassa frequenza. Regolate il dB1500a o il dB1800a in modo che il livello di uscita delle basse frequenze sia quello che desiderate. Da qui in poi, quando alzate o abbassate il livello di uscita dal mixer, il dB1500a o il dB1800a ed i satelliti manterranno tra loro lo stesso volume relativo.



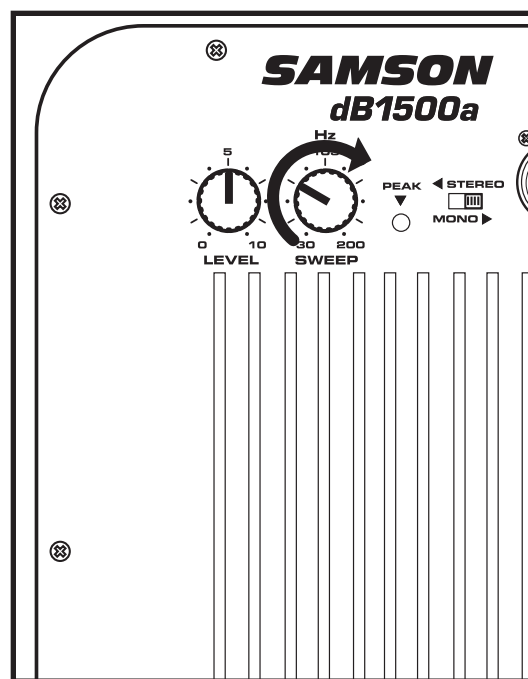
L'Uso del dB1500a e dB1800a

IL SUB dB1500a IN MONO CON SATELLITI PASSIVI

Se nel vostro sistema disponete di un comune finale di potenza stereo e di una coppia di casse acustiche passive sull'intero spettro come le dB500 e le XP100 Samson, potete facilmente interfacciarli con il dB1500a o con il dB1800a per ottenere una risposta estesa alle basse frequenze. Di seguito trovate descritta una tipica configurazione che sfrutta il dB1500a o il dB1800a con un mixer, un finale di potenza stereo ed una coppia di casse acustiche satelliti passive. Gli ingressi e le uscite del dB1500a e del dB1800a sfruttano connettori XLR standard. Per configurare il vostro sistema, fate riferimento alle istruzioni qui di seguito.



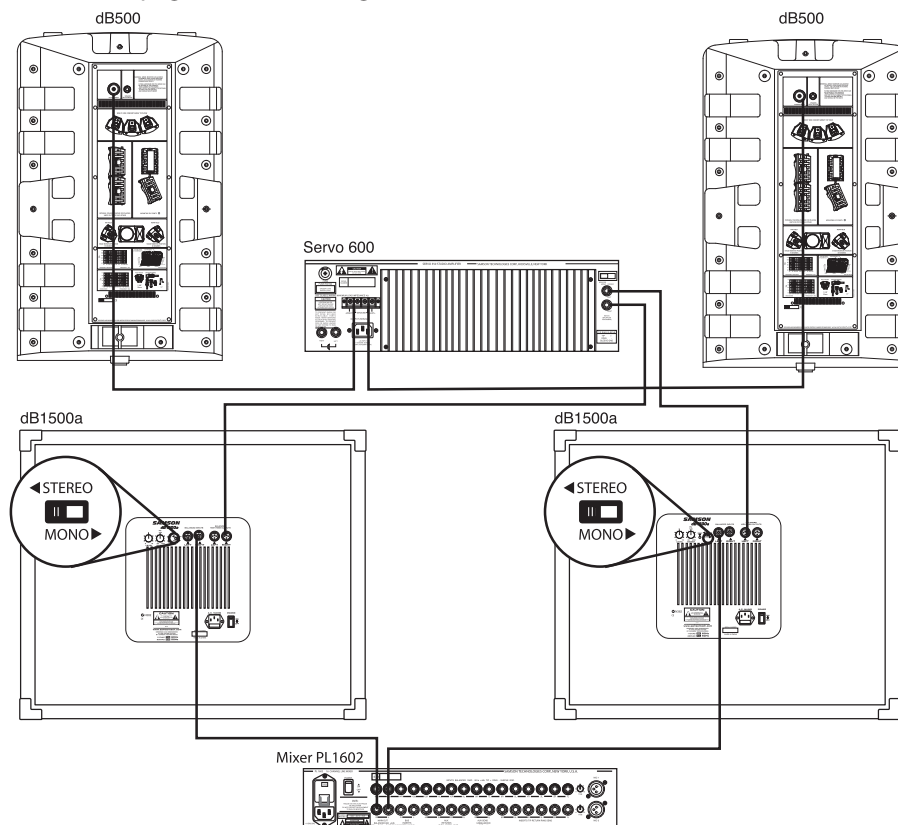
- Chiudete completamente le uscite generali del mixer.
- Collegate l'uscita di sinistra del mixer all'ingresso di sinistra e l'uscita di destra del mixer all'ingresso di destra del dB1500a o del dB1800a. Collegate poi l'uscita di sinistra del dB1500a o del dB1800a all'ingresso del satellite amplificato di sinistra e l'uscita di destra al satellite amplificato di destra. Commutate il selettore Stereo/Mono del dB1500a in posizione MONO.
- A questo punto regolate il controllo di SWEEP del crossover alla frequenza voluta. Per le dB500 scegliete un valore compreso tra 60 e 80 Hz e per le Expedition XP100 scegliete un valore tra 80 e 100 Hz. Se insieme al dB1500a o al dB1800a usate come satelliti casse acustiche amplificate di un altro marchio, consultatene il manuale d'uso per scoprire il punto di crossover raccomandato.
- Regolate poi il volume del finale di potenza al normale livello operativo. Inviare un segnale audio (ad esempio, musica da CD) dal mixer ed aumentate il volume fino ad un livello di ascolto confortevole. A questo punto alzate lentamente il controllo di Livello del dB1500a o del dB1800a ed ascoltate l'uscita in bassa frequenza. Regolate il dB1500a o il dB1800a in modo che il livello di uscita delle basse frequenze sia quello che desiderate. Da qui in poi, quando alzate o abbassate il livello di uscita dal mixer, il dB1500a o il dB1800a ed i satelliti manterranno tra loro lo stesso volume relativo.



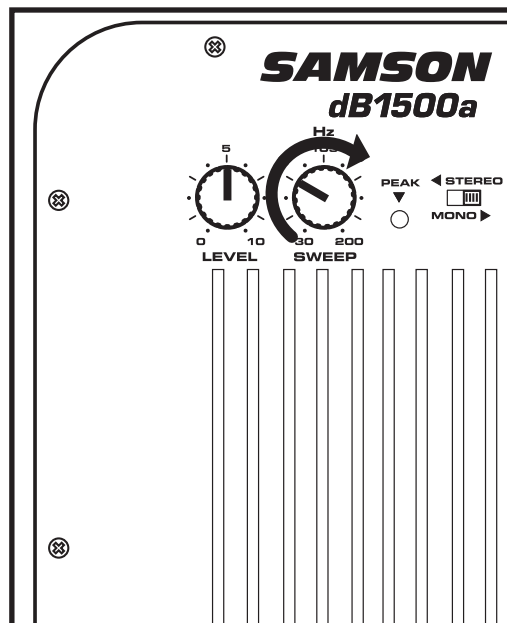
L'Uso del dB1500a e dB1800a

DUE SUB dB1500a IN STEREO CON SATELLITI PASSIVI

Se nel vostro sistema disponete di un comune finale di potenza e di una coppia di casse acustiche passive sull'intero spettro come le dB500 e le XP100 Samson, potete facilmente interfacciarli con due dB1500a o due dB1800a per ottenere una risposta estesa alle basse frequenze. Di seguito trovate descritta una tipica configurazione che sfrutta i dB1500a o dB1800a con un mixer, un finale di potenza stereo ed una coppia di casse acustiche satelliti passive. Gli ingressi e le uscite del dB1500a e del dB1800a sfruttano connettori XLR standard. Per il diagramma dettagliato di cablaggio, fate riferimento alle apposite istruzioni a pagina 55. Per configurare il vostro sistema, fate riferimento alle istruzioni qui di seguito.



- Chiudete completamente le uscite generali del mixer.
- Collegate l'uscita di sinistra del mixer all'ingresso di sinistra e l'uscita di destra del mixer all'ingresso di destra del dB1500a o del dB1800a. Collegate poi l'uscita di sinistra del dB1500a o del dB1800a all'ingresso del satellite amplificato di sinistra e l'uscita di destra al satellite amplificato di destra. Commutate il selettore Stereo/Mono del dB1500a in posizione STEREO.
- A questo punto regolate i controlli di SWEEP del crossover alla frequenza voluta. Per le dB500 scegliete un valore compreso tra 60 e 80 Hz e per le Expedition XP100 scegliete un valore tra 80 e 100 Hz. Se insieme al dB1500a o al dB1800a usate come satelliti casse acustiche amplificate di un altro marchio, consultatene il manuale d'uso per scoprire il punto di crossover raccomandato.
- Regolate poi il volume del finale di potenza al normale livello operativo. Inviare un segnale audio (ad esempio, musica da CD) dal mixer ed aumentate il volume fino ad un livello di ascolto confortevole. A questo punto alzate lentamente il controllo di Livello del dB1500a o del dB1800a ed ascoltate l'uscita in bassa frequenza. Regolate il dB1500a o il dB1800a in modo che il livello di uscita delle basse frequenze sia quello che desiderate. Da qui in poi, quando alzate o abbassate il livello di uscita dal mixer, il dB1500a o il dB1800a ed i satelliti manterranno tra loro lo stesso volume relativo.

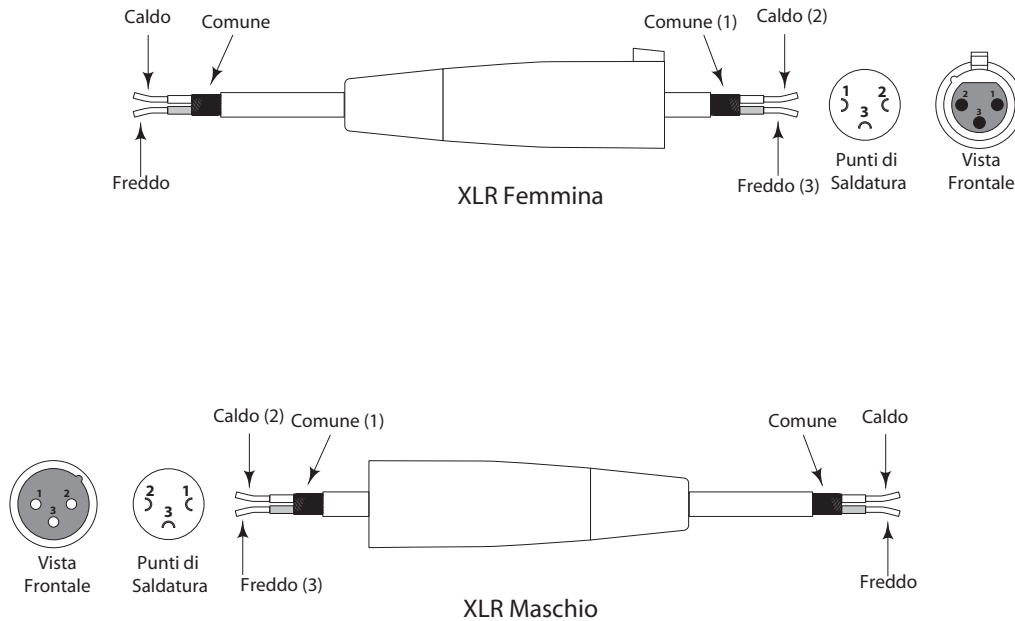


db1500a - Le Conessioni

dB1500a - DIAGRAMMA DI CABLAGGIO DEGLI XLR

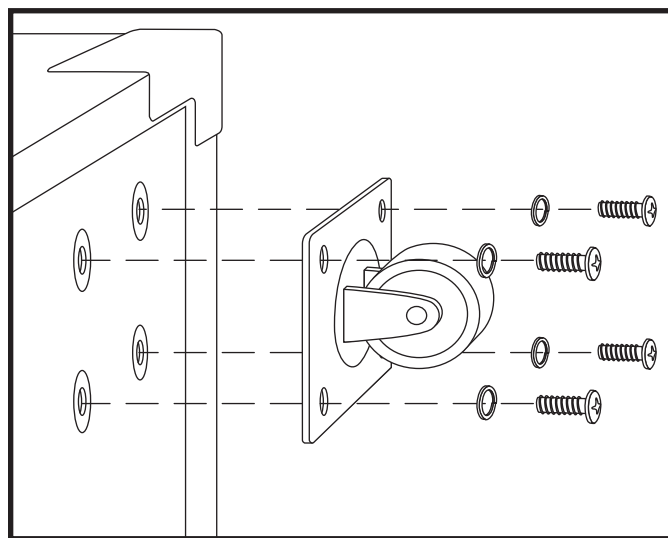
Gli ingressi e le uscite del dB1500a e del dB1800a sfruttano connettori XLR standard. Trovate qui di seguito il diagramma dettagliato del cablaggio dei connettori XLR del dB1500a e del dB1800a.

Guida al Cablaggio degli XLR Bilanciati



L'INSTALLAZIONE DELLE RUOTE

- Prendete una delle ruote e quattro di ognuna delle viti e delle rondelle di blocco fornite in dotazione.
- Mantenendo in posizione la ruota, iniziate ad avvitare le viti a mano. Accertatevi con cura che le viti prendano correttamente il percorso della filettatura nei dadi. **NON SPINGETE I DADI ALL'INTERNO DEL MOBILE.**
- Usate un cacciavite per stringere tutte e quattro le viti. Fate attenzione a non stringerle troppo.
- Ripetete le istruzioni qui sopra per le altre tre ruote.



Specifications / Caractéristiques techniques

Specifications

Transducer:		
	dB1500a	15", Heavy Duty Driver, 2.5 inch voice coil, aluminum former
	dB1800a	18", Heavy Duty Driver, 3 inch voice coil, aluminum former
Power Rating:		1000 Watts Program, 500 Watts RMS
Frequency response		
	dB1500a	30Hz- 300Hz+/-3 dB
	dB1800a	20Hz- 240Hz+/-3 dB
Sensitivity:		
	dB1500a	94dB SPL @ 1 W/1m
	dB1800a	95dB SPL @ 1 W/1m
Input		Balanced
	Connector:	XLR - FEMALE
Output		Balanced, high-passed tracking low frequency crossover point
	Connector:	XLR - MALE
Crossover Frequency:		Variable 30Hz – 200Hz
Switch Functions		
	Stereo /Mono:	Selects stereo or mono low frequency operation
Enclosure		
	Construction:	3/4" plywood, carpet covered
	Finish:	Black carpet
	Corners:	Steel
	Casters:	Three Inch Heavy Duty
	Mounting:	Integral 1 3/8" (35mm) Pole Mount Receptacle,
Dimensions:		
	dB1500a	20" (508mm) H x 24" (606 mm) W x 22.5" (573mm) D
	dB1800a	21.5" (545mm) H x 27" (681 mm) W x 23.25" (589mm) D
Weight:		
	dB1500a	71 lbs. (32.25K)
	dB1800a	80 lbs. (36.29K)

Specifications are subject to change without notice.

Caractéristiques techniques

Haut-parleur :		
	dB1500a	38 cm (15 pouce) haute fiabilité, bobine de 2.5 pouces, centre en aluminium
	dB1800a	45.7 cm (18 pouce) haute fiabilité, bobine de 3 pouces, centre en aluminium
Puissance admissible :		1000 Watts en crête, 500 Watts efficace
Réponse en fréquence :		
	dB1500a	30 Hz- 300 Hz, +/-3 dB
	dB1800a	20 Hz- 240 Hz, +/-3 dB
Rendement :		
	dB1500a	94 dB SPL à 1 W/1 m
	dB1800a	95 dB SPL à 1 W/1 m
Entrée		Symétrique
	Connecteur :	XLR - FEMELLE
Sortie		Symétrique, sortie passe-haut au-dessus de la fréquence de coupure du filtre
	Connecteur :	XLR - MÂLE
Fréquence de coupure :		Variable de 30 Hz à 200 Hz
Sélecteur		
	Stéréo/Mono :	Sélectionne la restitution en mono ou en stéréo des basses fréquences Baffle
	Construction :	Contreplaqué de 19 mm, recouvert de moquette
	Finition :	Moquette noire
	Cornières :	Acier
	Roulettes :	Haute résistance de 7,6 cm
	Montage :	Embase pour pied intégrée de 35 mm
Dimensions :		
	dB1500a	508 mm (H) x 606 mm (L) x 573 mm (P)
	dB1800a	545 mm (H) x 681 mm (L) x 589 mm (P)
Poids :		
	dB1500a	32,25 kg
	dB1800a	36,29 kg

Les caractéristiques peuvent être modifiées à tout moment sans préavis.

Technische Daten / Especificaciones técnicas

Technische Daten

Wandler:		
	dB1500a	hoch belastbarer 15" Treiber, 2.5" Schwingspule, Aluminium-Formspule
	dB1800a	hoch belastbarer 18" Treiber, 3" Schwingspule, Aluminium-Formspule
Nennleistung:		1000 Watt Programm, 500 Watt RMS
Frequenzgang:		
	dB1500a	30 Hz - 300 Hz +/-3 dB
	dB1800a	20 Hz - 240 Hz +/-3 dB
Empfindlichkeit:		
	dB1500a	94 dB SPL @ 1 W/1m
	dB1800a	95 dB SPL @ 1 W/1m
Eingang		symmetrisch
Anschluss:		XLR - BUCHSE
Ausgang		symmetrisch, Hochpass mit Verfolgung des Bass-Crossover-Punkts
Anschluss:		XLR - STECKER
Crossover-Frequenz:		variabel 30 Hz – 200 Hz
Schaltfunktionen		
Stereo / Mono:		wählt den Bass-Betrieb in Stereo oder Mono
Gehäuse		
Konstruktion:		3/4" Sperrholz, Teppichbezug
Oberfläche:		schwarzer Teppich
Ecken:		Stahl
Rollen:		3", hoch belastbar
Montage:		integrierte 1 3/8" (35mm) Ständerhalterung
Abmessungen:		
	dB1500a	508 mm, (20") H x 606 mm (24") B x 573 mm (22.5") T
	dB1800a	545 mm, (21.5") H x 681 mm (27") B x 589 mm (23.25") T
Gewicht:		
	dB1500a	32,25 kg, 71 lbs.
	dB1800a	36,29 kg, 80 lbs.

Technische Daten können unangekündigt geändert werden.

Especificaciones técnicas

Transductor:		
	dB1500a	Cabezal de alto rendimiento de 15", con bobina de voz de 3" y moldeado en aluminio
	dB1800a	Cabezal de alto rendimiento de 15", con bobina de voz de 3" y moldeado en aluminio
Potencia:		1.000 wattios de programa, 500 wattios RMS
Respuesta de frecuencia		
	dB1500a	30 Hz- 300 Hz +/-3 dB
	dB1800a	20 Hz- 240 Hz +/-3 dB
Sensibilidad:		
	dB1500a	94 dB SPL @ 1 W/1m
	dB1800a	95 dB SPL @ 1 W/1m
Entrada		Balanceada
Conector:		XLR - HEMBRA
Salida		Balanceada, punto de crossover de graves controlado por pasa-altos
Conector:		XLR - MACHO
Frecuencia crossover:		Variable 30 Hz – 200 Hz
Funciones de conmutador		
Stereo / Mono:		Elige el funcionamiento stereo o mono para los graves
Recinto acústico		
Construcción:		Contrachapado de 3/4", recubrimiento en moqueta
Acabado:		Moqueta de color negro
Cantoneras:		Acero
Ruedas de transporte:		Tres pulgadas; gran resistencia
Opciones de montaje:		Casquillo de 1 3/8" (35mm) para montaje en barra, integrado
Dimensiones:		
	dB1500a	20" (508 mm) A x 24" (606 mm) L x 22.5" (573 mm) P
	dB1800a	21.5" (545 mm) A x 27" (681 mm) L x 23.25" (589 mm) P
Peso:		
	dB1500a	71 libras (32.25 Kg)
	dB1800a	80 libras (36.29 Kg)

Estas especificaciones están sujetas a cambios sin previo aviso.

Specifiche

Specifiche

Trasduttore:		
dB1500a		da 15", altoparlante "Heavy Duty"; bobina voce da 2.5 pollici con stampo in alluminio
dB1800a		da 18", altoparlante "Heavy Duty"; bobina voce da 3 pollici con stampo in alluminio
Potenza Stimata:		1000 Watt di Programma, 500 Watt RMS
Risposta in Frequenza		
dB1500a		da 30Hz a 300Hz +/-3 dB
dB1800a		da 20Hz a 240Hz +/-3 dB
Sensibilità:		
dB1500a		94dB SPL @ 1W/1m
dB1800a		95dB SPL @ 1W/1m
Ingresso		Bilanciato
Connettore:		XLR - FEMMINA
Uscita		Balanciata, su passa-alto con limite inferiore di frequenza selezionato dal punto di crossover
Connettore:		XLR - MASCHIO
Frequenza di Crossover:		Variabile tra 30Hz e 200Hz
Funzioni di Commutazione		
Stereo /Mono:		Seleziona il funzionamento in bassa frequenza stereo o mono
Cassa Acustica		
Costruzione:		in Compensato da 3/4", ricoperto in Moquette
Finitura:		Moquette Nera
Spigoli:		In Acciaio
Rotelle:		da 3 pollici, "Heavy Duty "
Montaggio:		Ricettacolo per il Montaggio di Asta Integrale da 1 3/8" (35mm)
Dimensioni:		
dB1500a		508mm (20") A x 606mm (24") L x 573mm (22,5") P
dB1800a		545mm (21,5") A x 681 mm (27") L x 589mm (23,25") P
Peso:		
dB1500a		32,25 Kg (71 lbs.)
dB1800a		36,29 Kg (80 lbs.)

Specifiche soggette a variazioni senza preavviso.

Samson Technologies Corp.
45 Gilpin Avenue
Hauppauge, New York 11788-8816
Phone: 1-800-3-SAMSON (1-800-372-6766)
Fax: 631-784-2201
www.samsontech.com