

INSTALLATION MANUAL

VISUAL PERFORMANCE[®] RECTANGLE SPEAKERS



Introduction

Thank you for purchasing Sonance Visual Performance[®] Rectangle Speakers. When properly installed your new speakers will give you years of entertainment pleasure.

Box Contents

Sonance Visual Performance in-wall speaker box contains (2) Visual Performance speakers, (2) paintable grilles and (2) mounting cut-out templates.

NOTE: SST/SUR speaker box content will contain (1) Visual Performance speaker, (1) paintable grille and (1) mounting cut-out template.

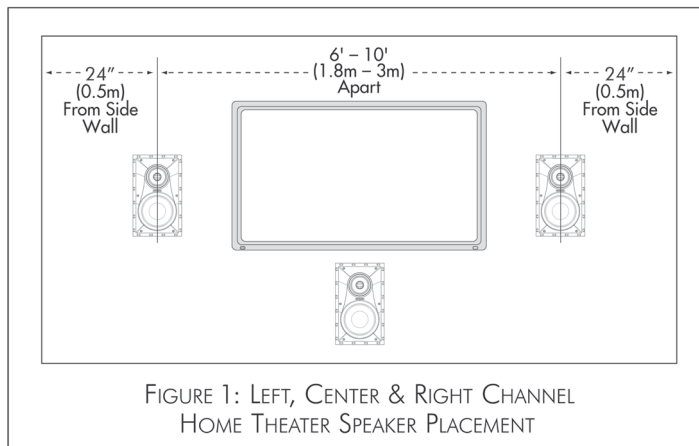
Speaker Placement

Home Theater Speaker Placement

Left, Center & Right Speakers

- Place the left & right speakers on either side of the video screen, 6 – 10 feet (1.8m – 3m) apart and 3 – 4 feet (0.9m – 1.2m) from the floor.
- If possible, locate the center speaker at the same height as the left & right channel speakers.
- If you must place the center speaker above or below a videoscreen, place it no more than 2 feet (0.6m) above or below the center of the left and right speakers. This will maintain consistent tonality between all three front channel speakers.
- The main listening position should be 8 – 12 feet (2.4m – 3.7m) away from the speakers.

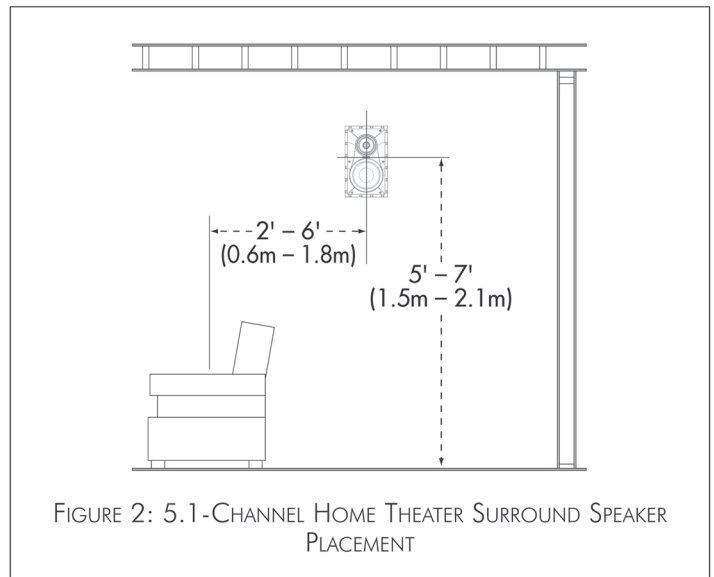
Use Figure 1 as a guide.



Surround Speakers (5.1-Channel System)

Locate the surround channel speakers on the side walls 2 – 6 feet (0.6m – 1.8m) behind the listening position, 5 – 7 feet (1.5m – 2.1m) from the floor.

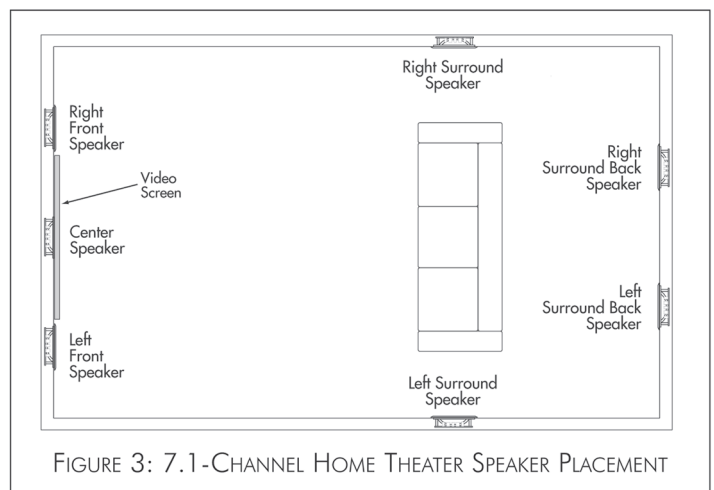
Use Figure 2 as a guide.



Surround Speakers (7.1-Channel System)

- **LEFT & RIGHT SURROUND SPEAKERS:** Place the left and right surround speakers directly to the sides of the listening position, 5 – 7 feet (1.5m – 2.1m) from the floor.
- **SURROUND BACK SPEAKERS:** Place the surround back speakers in the rear wall, 3 – 6 feet (0.9m – 1.8m) apart and at 5 – 7 feet (1.5m – 2.1m) from the floor.

Use Figure 3 as a guide.



VISUAL PERFORMANCE® RECTANGLE SPEAKERS

Stereo Speaker Placement (2-Channel System)

- Place the left and right speakers 6 – 10 feet (1.8m – 3m) apart, with the main listening position as close to midway between the speakers as possible.
- The speakers should be at least 2 feet (0.6m) away from the side walls.
- The main listening position should be 4 – 10 feet (1.2m – 3m) away from the speakers.
- In most cases pivoting the midrange/tweeter of each speaker directly towards the main listening position will help maximize the stereo soundstage.

Use the left and right speaker placement in Figure 4, as a guide.

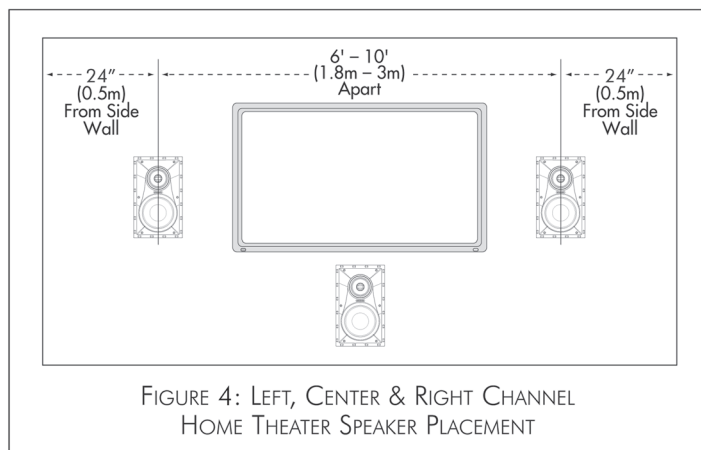


FIGURE 4: LEFT, CENTER & RIGHT CHANNEL HOME THEATER SPEAKER PLACEMENT

Before Installation: Retrofit

1. Determine the location for the speaker (see Speaker Placements, on page 1 & 2).
2. Perform an obstruction survey using a stud finder to be certain that there are no studs, conduit, pipes, heating ducts, pocket doors or air returns in the wall cavity that will interfere with the speaker. If you are unsure about obstructions, drill a small hole in the center of the outline and insert a coat hanger wire into the hole to feel around for possible obstructions.
3. Cut the mounting hole using a keyhole or drywall saw, and run the speaker wires from the mounting hole to the amplifier location.

NOTE: CONSULT LOCAL BUILDING CODES BEFORE RUNNING SPEAKER WIRES THROUGH WALLS.

Installation

Sonance Visual Performance Series speakers feature an integral Roto-Lock® mounting system for quick mounting directly into existing walls.

1. Strip 1/4" – 1/2" (6mm – 12mm) of insulation from each speaker lead. Twist the strands or tin the exposed wire with solder to ensure that there are no stray strands.

NOTE: STRAY STRANDS THAT TOUCH EACH OTHER CAN CAUSE A SHORT-CIRCUIT THAT CAN DAMAGE THE AMPLIFIER.

2. The speaker's terminals are spring-loaded. Push the top of each terminal down to open the connector and insert the exposed wires into the holes in the spring terminals. The speaker's positive spring terminal is labeled with a red dot; the negative spring terminal is labeled with a black dot. Double-check that you connected amplifier "+" to speaker "+" and amplifier "-" to speaker "-".
3. Make sure all the Roto-Lock toggle feet are retracted so that they are tucked within the mounting hole's border. Insert the speaker into the hole in the wall (Figure 5). The Roto-Lock system can accommodate a wall material thickness of **1-1/4" (32mm)** with the toggle foot cap removed the system can accommodate a wall material thickness of **1-7/8" (48mm)**.

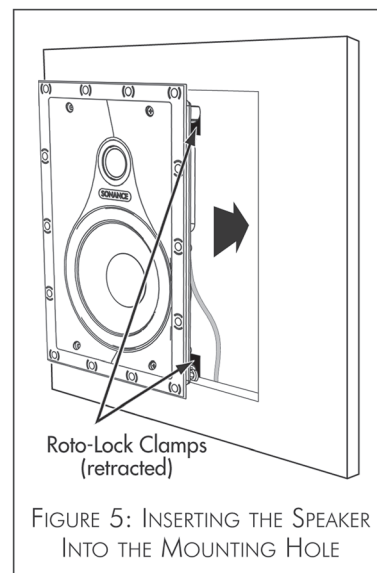


FIGURE 5: INSERTING THE SPEAKER INTO THE MOUNTING HOLE

4. When installing into double drywall or other thicker wall materials, you may need to remove part of the two-piece toggle feet. Use a small screwdriver to gently release the two locking levers (Figure 6).

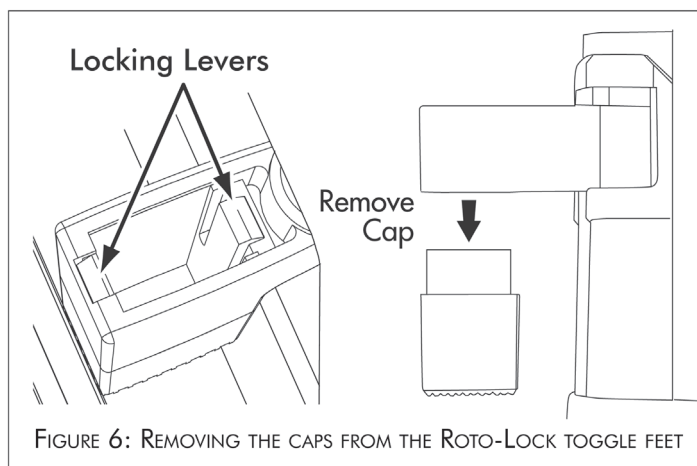


FIGURE 6: REMOVING THE CAPS FROM THE ROTO-LOCK TOGGLE FEET

VISUAL PERFORMANCE® RECTANGLE SPEAKERS

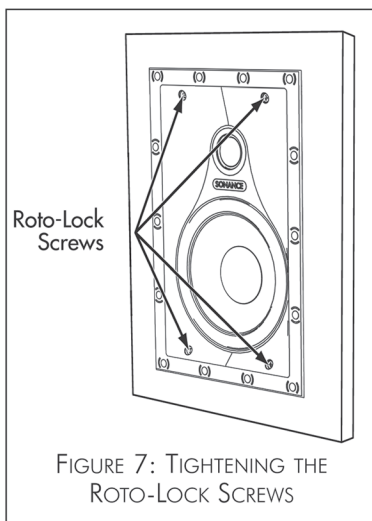
5. Tighten the screws on the front of the speaker baffle. The Roto-Lock toggle feet will automatically rotate into position and begin clamping the speaker (see Figure 7).

- When you notice resistance on the screws the speaker has been clamped successfully.
- There are six toggle feet on the large rectangle speakers and four on the small and medium.

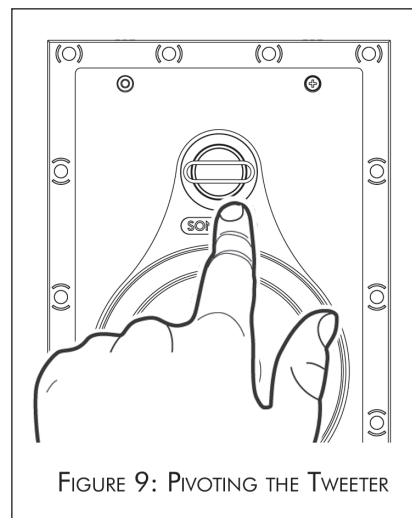
IMPORTANT: ALWAYS USE LOW-TORQUE SETTINGS; NEVER OVERTIGHTEN.

NOTE: ADJUSTING THE TENSION OF THE ROTO-LOCK CLAMPS SO THAT THE SPEAKER FRAME IS FLAT WILL HELP ENSURE THAT THE GRILLE CONTACTS THE WALL ALL THE WAY AROUND THE SPEAKER FOR A PROPER FIT.

6. The micro-trim grille is held in place by several small, powerful magnets on the speaker frame. Place the grille against the speaker and the magnets will hold it firmly in place. When properly installed, the grille trim should make contact with the wall all the way around the speaker.



To pivot the tweeter, apply light pressure to the ring around the outside edge of the tweeter, as shown in Figure 9. Make sure not to touch or apply pressure to the tweeter itself.

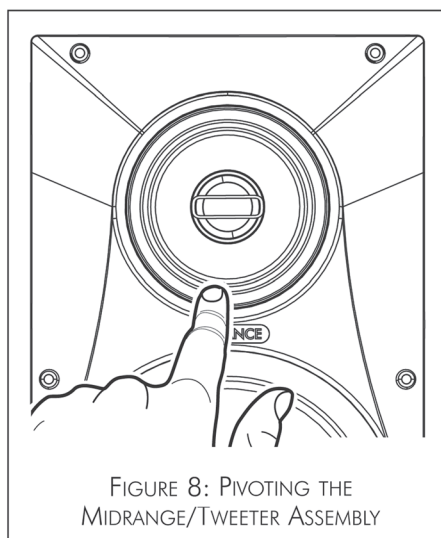


Speaker Adjustments

Pivoting Midrange/Tweeter Assembly

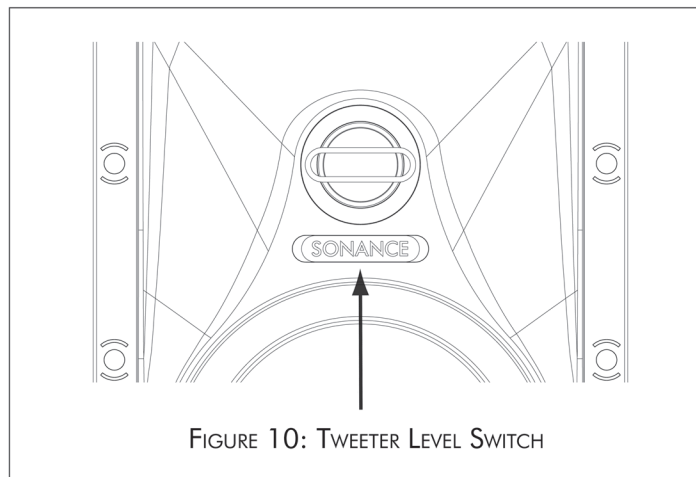
All Visual Performance Rectangle Speakers have a pivoting tweeter. The VP8 models include a pivoting midrange/tweeter assembly. If you're using the speakers in stereo or as the front left/center/right speakers in a home theater, pivot the drivers directly towards the listening area. If you're using the speakers as surround channel speakers in a home theater, pivot the drivers towards a wall or window, away from the listeners.

To pivot the midrange/tweeter assembly, apply light pressure to the ring around the outside edge of the midrange cone, as shown in Figure 8. Take care not to touch or apply pressure to the midrange cone itself.



VP48, VP68 and VP88 Tweeter Level Switch

VP48, VP68 and VP88 speakers have a tweeter level switch (see Figure 10). To increase the output from the tweeter slide the switch towards the + mark under the switch. To decrease the output from the tweeter slide the switch towards the - mark under the switch.



VISUAL PERFORMANCE® RECTANGLE SPEAKERS

SST / SUR Setup and Connection

Use as a Surround (SUR)

Connect the + and - wires from your amplifier or receiver to either pair of terminals on the VP SST/SUR speaker. Remove the red sticker and set the switch to SUR.

Use as a Single Stereo Technology (SST)

Connect the + and - wires from the left channel to one pair of terminals and the + and - wires from the right channel to the other pair of terminals .

The switch is preset in the SST mode and should not be changed (figure 11).

NOTE: WHEN THE SWITCH IS PLACED IN THE SUR MODE THE TWO PAIRS OF BINDING POSTS ARE CONNECTED! DAMAGE CAN OCCUR TO YOUR AMPLIFIER IF YOU CONNECT TWO DIFFERENT AMPLIFIER CHANNELS TO THE SPEAKER WITH THE SWITCH SET IN SUR MODE.

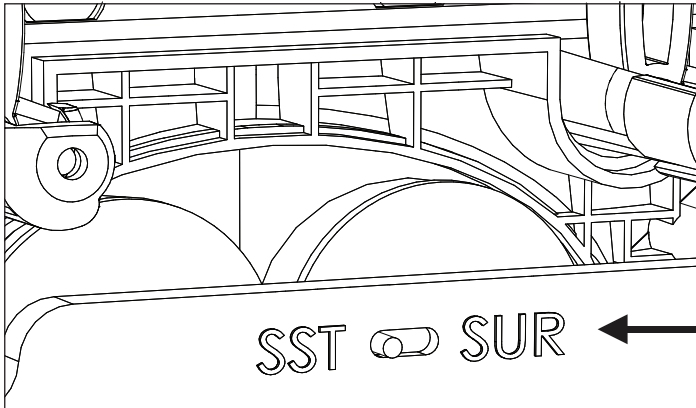
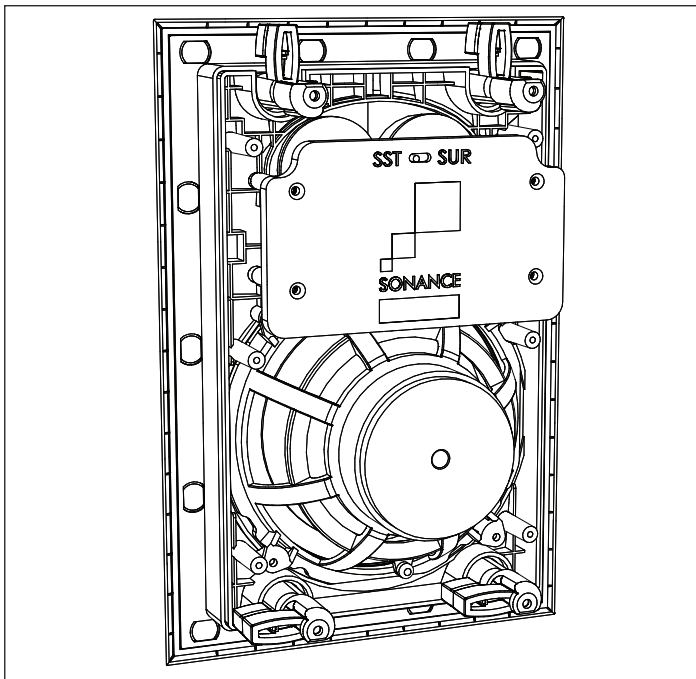


FIGURE 11



LIMITED LIFETIME WARRANTY

Sonance warrants to the first end-user purchaser that this Sonance-brand product ("Product"), when purchased from an authorized Sonance Dealer/Distributor, will be free from defective workmanship and materials for the life of the Product, except for the grille, which is warranted for five (5) years. Sonance will at its option and expense either repair the defect or replace the Product with a new or remanufactured Product or a reasonable equivalent.

EXCLUSIONS

TO THE EXTENT PERMITTED BY LAW, THE WARRANTY SET FORTH ABOVE IS IN LIEU OF, AND EXCLUSIVE OF, ALL OTHER WARRANTIES, EXPRESS OR IMPLIED, AND IS THE SOLE AND EXCLUSIVE WARRANTY PROVIDED BY SONANCE. ALL OTHER EXPRESS AND IMPLIED WARRANTIES, INCLUDING THE IMPLIED WARRANTIES OF MERCHANTABILITY, IMPLIED WARRANTY OF FITNESS FOR USE, AND IMPLIED WARRANTY OF FITNESS FOR A PARTICULAR PURPOSE ARE SPECIFICALLY EXCLUDED. No one is authorized to make or modify any warranties on behalf of Sonance.

The warranty stated above is the sole and exclusive remedy and Sonance's performance shall constitute full and final satisfaction of all obligations, liabilities and claims with respect to the Product. IN ANY EVENT, SONANCE SHALL NOT BE LIABLE FOR CONSEQUENTIAL, INCIDENTAL, ECONOMIC, PROPERTY, BODILY INJURY, OR PERSONAL INJURY DAMAGES ARISING FROM THE PRODUCT, ANY BREACH OF THIS WARRANTY OR OTHERWISE.

This warranty statement gives you specific legal rights, and you may have other rights which vary from state to state. Some states do not allow the exclusion of implied warranties or limitations of remedies, so the above exclusions and limitations may not apply. If your state does not allow disclaimer of implied warranties, the duration of such implied warranties is limited to period of Sonance's express warranty.

Your Product Model and Description: Sonance Visual Performance Series Rectangle Speakers

Additional Limitations and Exclusions from Warranty Coverage: The warranty described above is non-transferable, applies only to the initial installation of the Product, does not include installation of any repaired or replaced Product, does not include damage to allied or associated equipment which may result for any reason from use with this Product, and does not include labor or parts caused by accident, disaster, negligence, improper installation, misuse (e.g. overdriving the amplifier or speaker, excessive heat or cold or humidity, outdoor installation), or from service or repair which has not been authorized by Sonance.

Obtaining Authorized Service: To qualify for the warranty, you must contact your authorized Sonance Dealer/Installer or call Sonance Customer Service at (800) 582-0772, must obtain a return merchandise number (RMA), and must deliver the Product to Sonance shipping prepaid during the warranty period, together with the original sales receipt, or invoice or other satisfactory proof of purchase.



©2013 Sonance. All rights reserved.

Sonance, Visual Performance and Roto-Lock are registered trademarks of Dana Innovations.

Due to continuous product improvement, all features and specifications are subject to change without notice.

For the latest Sonance product specification information visit our website: www.sonance.com

SONANCE • 212 Avenida Fabricante • San Clemente, CA 92672-7531 USA
(800) 582-7777 or (949) 492-7777 • FAX: (949) 361-5151 • Technical Support: (800) 582-0772

www.sonance.com