



EZ KLING™

user manual

©2014 **ELATION PROFESSIONAL** all rights reserved. Information, specifications, diagrams, images, and instructions herein are subject to change without notice. ELATION PROFESSIONAL logo and identifying product names and numbers herein are trademarks of ELATION PROFESSIONAL. Copyright protection claimed includes all forms and matters of copyrightable materials and information now allowed by statutory or judicial law or hereinafter granted. Product names used in this document may be trademarks or registered trademarks of their respective companies and are hereby acknowledged. All non-ELATION brands and product names are trademarks or registered trademarks of their respective companies.

ELATION PROFESSIONAL and all affiliated companies hereby disclaim any and all liabilities for property, equipment, building, and electrical damages, injuries to any persons, and direct or indirect economic loss associated with the use or reliance of any information contained within this document, and/or as a result of the improper, unsafe, insufficient and negligent assembly, installation, rigging, and operation of this product.

Elation Professional USA | 6122 S. Eastern Ave. | Los Angeles, CA. 90040

323-582-3322 | 323-832-9142 fax | www.elationlighting.com | info@elationlighting.com

Elation Professional B.V. | Junostraat 2 | 6468 EW Kerkrade, Netherlands

+31 45 546 85 66 | +31 45 546 85 96 fax | www.elationlighting.eu | info@elationlighting.eu

DOCUMENT VERSION



Please check www.elationlighting.com for the latest revision/update of this manual.

Date	Document Version	Software Version	Notes
7/2014	1	≥1.6	Initial release.

CONTENTS

General Information	4
Warranty	6
Safety Guidelines	7
Device Overview	8
Installation	9
DMX Operation	10
Important Notes	11
Menu Function	12
Configuration Guide	15
Setup Guide	16
Technical Specifications	17
Optional Accessories	18

GENERAL INFORMATION

INTRODUCTION

Congratulations, you have just purchased one of the most innovative and reliable ArtNet to DMX converter on the market today! The **EZ KLING™** has been designed to perform reliably for years when the guidelines in this booklet are followed. Please read and understand the instructions in this manual carefully and thoroughly before attempting to operate this unit. These instructions contain important information regarding safety during use and maintenance.

UNPACKING

Thank you for purchasing the **EZ KLING™** by Elation Professional®. Every **EZ KLING™** has been thoroughly tested and has been shipped in perfect operating condition. Carefully check the shipping carton for damage that may have occurred during shipping. If the carton appears to be damaged, carefully inspect your unit for damage and be sure all accessories necessary to operate the unit have arrived intact. In the event damage has been found or parts are missing, please contact our customer support team for further instructions. Please do not return this unit to your dealer without first contacting customer support at the number listed below. Please do not discard the shipping carton in the trash. Please recycle whenever possible.

BOX CONTENTS

- (1) 5V Power Supply
- (1) Clamp Mounting Bracket & (2) Screws
- Manual & Warranty Card

CUSTOMER SUPPORT

Elation Professional® provides a customer support line, to provide set up help and to answer any question should you encounter problems during your set up or initial operation. You may also visit us on the web at www.elationlighting.com for any comments or suggestions. For service related issue please contact Elation Professional®.

ELATION SERVICE USA - Monday - Friday 8:00am to 5:00pm PST

Voice: 323-582-3322

Fax: 323-832-9142

E-mail: support@elationlighting.com

ELATION SERVICE EUROPE - Monday - Friday 08:30 to 17:00 CET

Voice: +31 45 546 85 30

Fax: +31 45 546 85 96

E-mail: support@elationlighting.eu

WARRANTY REGISTRATION

The **EZ KLING™** carries a two-year (730 days) limited warranty. Please fill out the enclosed warranty card to validate your purchase. All returned service items whether under warranty or not, must be freight pre-paid and accompany a return authorization (R.A.) number. The R.A. number must be clearly written on the outside of the return package. A brief description of the problem as well as the R.A. number must also be written down on a piece of paper and included in the shipping container. If the unit is under warranty, you must provide a copy of your proof of purchase invoice. Items returned without a R.A. number clearly marked on the outside of the package will be refused and returned at customer's expense. You may obtain a R.A. number by contacting customer support.



IMPORTANT NOTICE!

There are no user serviceable parts inside this unit. Do not attempt any repairs yourself; doing so will void your manufactures warranty. Damages resulting from modifications to this fixture and/or the disregard of safety and general user instructions found in this user manual void the manufactures warranty and are not subject to any warranty claims and/or repairs.

2 - YEAR LIMITED WARRANTY

A. Elation Professional® hereby warrants, to the original purchaser, Elation Professional® products to be free of manufacturing defects in material and workmanship for a period of two years, (730 days) from the date of purchase. This warranty shall be valid only if the product is purchased within the United States of America, including possessions and territories. It is the owner's responsibility to establish the date and place of purchase by acceptable evidence, at the time service is sought.

B. For warranty service, send the product only to the Elation Professional® factory. All shipping charges must be pre-paid. If the requested repairs or service (including parts replacement) are within the terms of this warranty, Elation Professional® will pay return shipping charges only to a designated point within the United States. If the entire instrument is sent, it must be shipped in its original package. No accessories should be shipped with the product. If any accessories are shipped with the product, Elation Professional® shall have no liability what so ever for loss of or damage to any such accessories, nor for the safe return thereof.

C. This warranty is void if the serial number has been altered or removed; if the product is modified in any manner which Elation Professional® concludes, after inspection, affects the reliability of the product; if the product has been repaired or serviced by anyone other than the Elation Professional® factory unless prior written authorization was issued to purchaser by Elation Professional®; if the product is damaged because not properly maintained as set forth in the instruction manual.

D. This is not a service contract, and this warranty does not include maintenance, cleaning or periodic check-up. During the period specified above, Elation Professional® will replace defective parts at its expense, and will absorb all expenses for warranty service and repair labor by reason of defects in material or workmanship. The sole responsibility of Elation Professional® under this warranty shall be limited to the repair of the product, or replacement thereof, including parts, at the sole discretion of Elation Professional®. All products covered by this warranty were manufactured after January 1, 1990, and bare identifying marks to that effect.

E. Elation Professional® reserves the right to make changes in design and/or improvements upon its products without any obligation to include these changes in any products theretofore manufactured.

F. No warranty, whether expressed or implied, is given or made with respect to any accessory supplied with products described above. Except to the extent prohibited by applicable law, all implied warranties made by Elation Professional® in connection with this product, including warranties of merchantability or fitness, are limited in duration to the warranty period set forth above. And no warranties, whether expressed or implied, including warranties of merchantability or fitness, shall apply to this product after said period has expired. The consumer's and or Dealer's sole remedy shall be such repair or replacement as is expressly provided above; and under no circumstances shall Elation Professional® be liable for any loss or damage, direct or consequential, arising out of the use of, or inability to use, this product.

G. This warranty is the only written warranty applicable to Elation Professional® Products and supersedes all prior warranties and written descriptions of warranty terms and conditions heretofore published.

SAFETY GUIDELINES



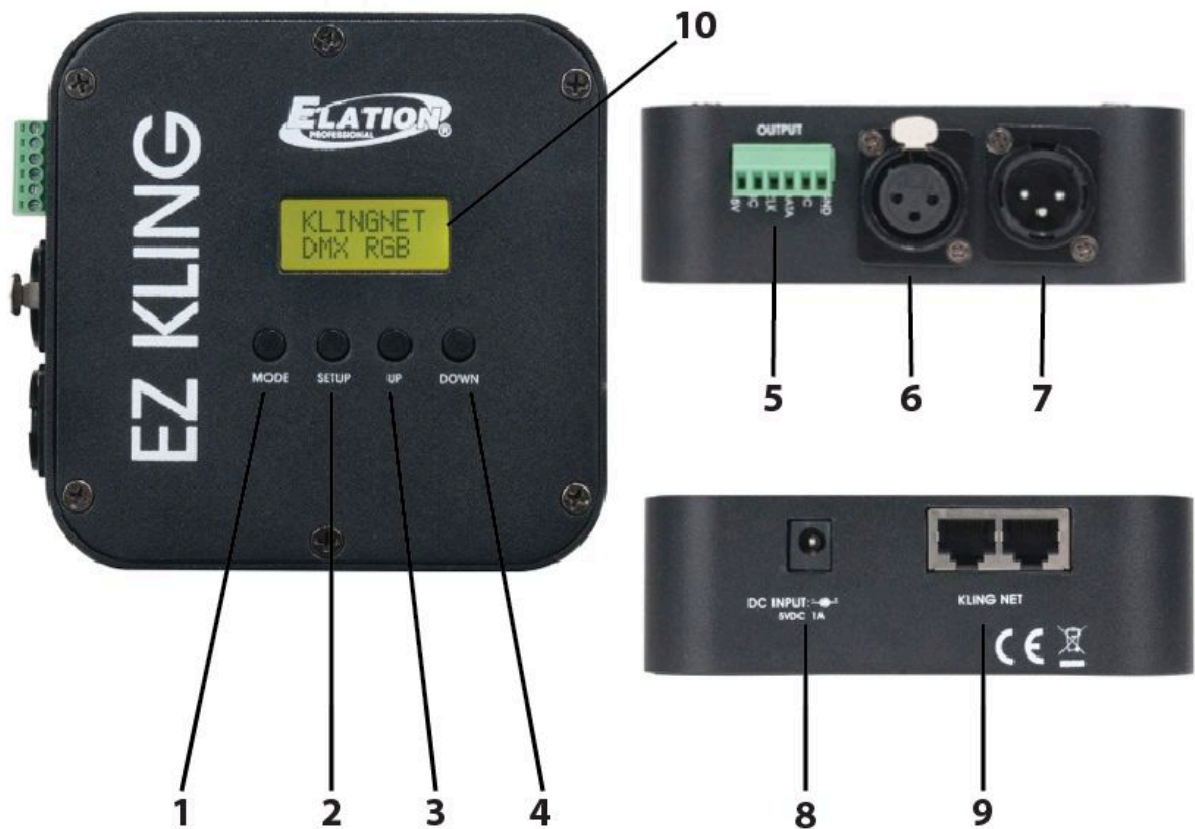
The **EZ KLING™** is an extremely sophisticated piece of electronic equipment. To guarantee a smooth operation, it is important to follow the guidelines in this manual. The manufacturer of this device will not accept responsibility for damages resulting from the misuse of this device due to the disregard of the information printed in this manual.



This device falls under **PROTECTION CLASS 1**. It's essential this device is grounded properly, and only qualified personnel perform all electrical connections.

- For proper operation, only qualified and certified personnel should perform installation of this device. Do not attempt installation and/or operation without proper knowledge how to do so. Any modifications to this device will void the warranty and increase the risk of damage and/or personal injury.
- Always disconnect from main power source before performing any type of cleaning procedure and/or when this device is not in use. Only handle the power cord by the plug end, never pull out plug by tugging wire the cord.
- Do not operate device if the power cord has become frayed, crimped and/or damaged. If the power cord is damaged, replace it immediately with a new one of similar power rating.
- **N E V E R O P E N D E V I C E W H I L E I N U S E !**
- **DO NOT** operate device in locations **above 113°F (45°C) or below 14° F (-10° C)**.
- **DO NOT** operate device in areas subject to extreme vibrations or bumps.
- Please make sure there are **NO FLAMMABLE MATERIALS** close to this device while operating, to prevent any fire hazard.
- Do not permit operation by persons who are not qualified for operating this type of device. Most damages are the result of operations by nonprofessionals.
- Use the original packaging and materials to transport this device in for service.
- **DO NOT** attempt installation and/or operation without knowledge how to do so. Most damages are the result of operations by nonprofessionals.
- **DO NOT** shake device, avoid brute force when installing and/or operating.
- When installing device overhead in a suspended location, always install with an appropriate safety cable. When installing the fixture in a suspended environment, always use mounting hardware that is no less than M10 x 25 mm, also be sure the hardware is insert in the pre-arranged screw holes in the bracket of the device.
- Use the original packaging and materials to transport the device in for service.

DEVICE OVERVIEW



1. **MODE Button**
2. **SETUP Button**
3. **UP Button**
4. **DOWN Button**
5. **Bare Wire Terminal Block**
6. **3pin DMX Output**
7. **3pin DMX Input**
8. **Power Input**
9. **RJ45 Network Input/Output**
10. **LCD Menu Display**

INSTALLATION



CAUTION!

Please consider the GB7000.15/EN60598-2-17 and the other respective national norms during the installation. The installation must only be carried out by a qualified person.



CAUTION!

The electric connection must only be carried out by a qualified electrician.



CAUTIONS

- For added protection, mount the device in areas outside walking paths, seating areas, or in areas where unauthorized personnel might reach the fixture.
- Before mounting the device to any surface, make sure the installation area can hold a minimum point load of 10 times the weight of the fixture. **(10 lbs / 4.5 kg)**
- Device installation must always be secured with a secondary safety attachment, such as an appropriate safety cable.
- Never stand directly below the device when mounting, removing or servicing.
- The applicable operating temperature for the device is between -10°C to 45°C. Do not use the device under or above this temperature range.



FLAMMABLE MATERIAL WARNING

Keep fixture at least 5.0 ft. (1.5m) away from any flammable materials, decorations, pyrotechnics, etc.

INSTALLATION VIA MAGNET ON BACK PANEL OR INCLUDED BRACKET



DMX OPERATION

- When **EZ KLING™** is used to control **RGB 3in1 LED lighting**, the lighting must be set to DMX mode and must include a separate dimmer control for each color (RED, GREEN, BLUE).
- When **EZ KLING™** is used to control **RGBA/RGBW Quad LED lighting**, the lighting must be set to DMX mode and must include a separate dimmer control for each color (RED, GREEN, BLUE, AMBER, and/or RED, GREEN, BLUE, WHITE).
- The total number of DMX channels will depend on how many individual pixels the LED lighting has.

EXAMPLE 1

If an **RGB 3in1 LED** light fixture has (6) pixels, it must be set to 18 DMX Channel Mode and the DMX protocol be set to the following:

DMX Channel	DMX Value	Function
1	000-255	RED (0% - 100%)
2	000-255	GREEN (0% - 100%)
3	000-255	BLUE (0% - 100%)
↓	↓	↓
16	000-255	RED (0% - 100%)
17	000-255	GREEN (0% - 100%)
18	000-255	BLUE (0% - 100%)

EXAMPLE 2

If an **RGBA/RGBW 4in1 LED** light fixture has 6 pixels, it must be set to 24 DMX Channel Mode and the DMX protocol be set to the following:

DMX Channel	DMX Value	Function
1	000-255	RED (0% - 100%)
2	000-255	GREEN (0% - 100%)
3	000-255	BLUE (0% - 100%)
4	000-255	AMBER/WHITE (0% - 100%)
↓	↓	↓
21	000-255	RED (0% - 100%)
22	000-255	GREEN (0% - 100%)
23	000-255	BLUE (0% - 100%)
24	000-255	AMBER/WHITE (0% - 100%)

DMX ADDRESSING

The DMX address of the first LED lighting device connected to **EZ KLING™** must be set to 1 and the DMX addresses of additional LED lighting devices will depend on how many DMX channels each device occupies. For example, if the LED lighting devices all occupy 20 DMX channels each, the first device would be addressed as 1, the second device as 21, the third device as 41, and so on.

IMPORTANT NOTES

- **EZ KLING™** can control **LED Tape**, **RGB Tri-Color LED Lighting** and **RGBA/RGBW Quad LED Lighting**. Be sure **EZ KLING™** has been set to the proper mode to control the desired type of LED Tape and or Lighting.

When Connecting EZ KLING™ To	Maximum Pixel Control Per Each EZ KLING™
DMX Controller + LED Tape	170 Pixels
Computer + KLINGNET™ + LED Tape	600 Pixels
Computer + KLINGNET™ + RGB Tri-Color LED Tape	150 Pixels
Computer + KLINGNET™ + RGBA/RGBW Quad LED Lighting	112 Pixels
Computer + ARTNET™ + LED Tape	170 Pixels
Computer + ARTNET™ + RGB Tri-Color LED Tape	170 Pixels
Computer + ARTNET™ + RGBA/RGBW Quad LED Lighting	128 Pixels

- When connecting to a computer to control LED Lighting, the LED type of LED lightings controlled by the same **EZ KLING™** unit must be the same.
- **DO NOT** directly daisy chain more than **(50) EZ KLING™** units from one computer. Use a Gigabit Ethernet Switch if more than **(50) EZ KLING™** units are being controlled.
- **DO NOT** daisy chain more than **(50) EZ KLING™** units from a single network port of the Gigabit Ethernet Switch. A maximum of **(2)** output network ports of the Gigabit Ethernet Switch can be used, controlling a maximum of **(100) EZ KLING™** units.

MENU FUNCTION

The **EZ KLING™** has (4) operation modes: **LED TAPE MODE**, **KLINGNET MODE**, **ARTNET MODE**, and **OTHER SETTING**, which can be selected by pressing the **MODE** button.

MODE	SET UP	UP/DOWN	DESCRIPTION
LED TAPE MODE	No Function	LED TAPE xxxx	Set number of Pixels DMX controller needs to control
KLINGNET MODE	Type Set	KLINGNET RGB TAPE	Control LED Tape using KLINGNET
		KLINGNET DMX RGBx	Control LED Lighting using KLINGNET
	LED Color Set	KLINGNET DMX RGB	Control RGB LED Lighting
		KLINGNET DMX RGBW	Control RGBW LED Lighting
		KLINGNET DMX RGBA	Control RGBA LED Lighting
Pixel Height Set	KLINGNET H:xxx	Set the Pixel Height number EZ KLING needs to control	
Pixel Width Set	KLINGNET W:xxx	Set the Pixel Width number EZ KLING needs to control	
ARTNET MODE	Type Set	ARTNET OUT:TAPE	Control LED Tape using ARTNRT
		ARTNET OUT: DMX	Control LED Lighting using ARTNRT
	IP Address Set	ARTNET IPO: xxx	Set IP Address Section 1
		ARTNET IP1: xxx	Set IP Address Section 2
		ARTNET IP2: xxx	Set IP Address Section 3
		ARTNET IP3: xxx	Set IP Address Section 4
	Subnet Mask Set	ARTNET SW0: xxx	Set Subnet Mask Section 1
		ARTNET SW1: xxx	Set Subnet Mask Section 2
ARTNET SW2: xxx		Set Subnet Mask Section 3	
ARTNET SW3: xxx		Set Subnet Mask Section 4	
DMX Universe Output Set	ARTNET U: xxxxx	Set output DMX Universe	
OTHER SETTING	LCD Backlight ON/OFF	OPTION BLGT:ON	LED Backlight always ON
		OPTION BLGT:OFF	LED Backlight OFF after 20 seconds
	LCD Backlight Brightness	OPTION BRCO:xxx	Adjust the brightness of the LCD backlight
	System Reset	OPTION SYSRESET	Initialize the unit back to the original factory settings

LED TAPE MODE

Press the **MODE** button to select **LED TAPE MODE**. The LCD display will show "**LED TAPE**", then press **UP** or **DOWN** buttons to select the total number of pixels (**1-170**) the DMX controller needs to control.



Each **EZ KLING™** can control a maximum of **170 pixels**.

KLINGNET MODE - Type Set

Press the **MODE** button to select "**KLINGNET**". The LCD display will show "**RGB TAPE**" or "**DMX RGB**". Select one of these two menu items by pressing the **UP** or **DOWN** buttons.

KLINGNET MODE - LED Color Set

Press the **MODE** button to select "**KINGNET**". The LCD display will show the default LED Color Set "**DMX RGB**". To change this menu item press the **SET UP** button and "**RGB**" will start to flash, then press the **UP** or **DOWN** buttons to select the desired LED Color Set. ("**DMX RGB**", "**DMX RGBW**", "**DMX RGBA**")

KLINGNET MODE - Pixel Height and Width Set

Press the **MODE** button to select "**KINGNET**". The LCD display will show the preselected LED Color Set ("**DMX RGB**", "**DMX RGBW**", "**DMX RGBA**"). Press the **SET UP** button and "**DMX**" will start to flash, then press the **SET UP** button again and the preselected LED Color Set ("**RGB**", "**RGBW**", "**RGBA**") will start to flash. Press the **SET UP** button again and the LCD display will show "**H: xxx**", then press the **UP** or **DOWN** buttons to enter the **Pixel Height** number **EZ KLING™** needs to control.

Once the **Pixel Height** number value has been selected, then press the **SET UP** button and the LCD display will show "**W: xxx**", then press the **UP** or **DOWN** buttons to enter the **Pixel Width** number **EZ KLING™** needs to control.



NOTE: The **Pixel Height** number multiplied by the **Pixel Width** number can **NOT** be greater than **600 pixels** when controlling LED Tape, or **NOT** greater than **150 pixels** when controlling RGB Tri-Color LED Lighting, and **NOT** greater than **112 pixels** when controlling RGBW/RGBA LED Lighting.

ARTNET MODE - Type Set

Press the **MODE** button to select "**ARTNET**". The LCD display will show "**OUT:TAPE**" or "**OUT: DMX**". Select one of these two menu items by pressing the **UP** or **DOWN** buttons.

ARTNET MODE - IP Address Set, Sub Net Mask Set, and DMX Universe Output Set

Press the **MODE** button to select "**ARTNET**", then press the **SET UP** button to select **IP Address Set**. The LCD display will show "**ARTNET IPO: xxx**" then press the **UP** or **DOWN** buttons to enter the desired 3-digit IP Address of Section 1, then press the **SET UP** button to select "**ARTNET IP1: xxx**" and press the **UP** or **DOWN** buttons to enter the desired 3-digit IP Address of Section 2, then press the **SET UP** button to select "**ARTNET IP2: xxx**" and press the **UP** or **DOWN** buttons to enter the desired 3-digit IP Address of Section 3, then press the **SET UP** button to select "**ARTNET IP3: xxx**" and press the **UP** or **DOWN** buttons to enter the desired 3-digit IP Address of Section 4.

ARTNET MODE - IP Address Set, Sub Net Mask, and DMX Universe Output Set [continued]

Once the complete desired **IP Address Set** has been entered, continue by pressing the **SET UP** button and the LCD display will show "**SW0: xxx**", then press the **UP** or **DOWN** buttons to enter the desired 3-digit Subnet Mask of Section 1, then press the **SET UP** button to select "**SW1: xxx**" and press the **UP** or **DOWN** buttons to enter the desired 3-digit Subnet Mask of Section 2, then press the **SET UP** button to select "**SW2: xxx**" and press the **UP** and **DOWN** buttons to enter the desired the 3-digit Subnet Mask of Section 3, then press the **SET UP** button to select "**SW3: xxx**" and press the **UP** or **DOWN** buttons to enter the desired 3-digit Subnet Mask of section 4.

Once the complete desired **Sub Net Mask** has been entered, continue by pressing the **SET UP** button and the LCD display will show "**U: xxxxx**", then press the **UP** or **DOWN** buttons to enter the desired 5-digit **DMX Universe Output**.

OTHER SETTING - LCD Backlight ON/OFF

Press **MODE** button to select "**OPTION**". Select the desired function of the LCD Backlight, "**BLGT:ON**" (LCD Backlight will remain ON in any situation) or "**BLGT:OFF**" (LCD Backlight will automatically turn OFF after 20 seconds of no operation). Select one of these two menu items by pressing the **UP** or **DOWN** buttons.

OTHER SETTING - LCD Backlight Brightness

Press **MODE** button to select "**OPTION**", then press **SET UP** button to select "**BRCO: xxx**". Adjust LCD Backlight Brightness level by pressing **UP** or **DOWN** buttons to adjust the value from (000) not bright to (100) very bright.

OTHER SETTING - System Reset

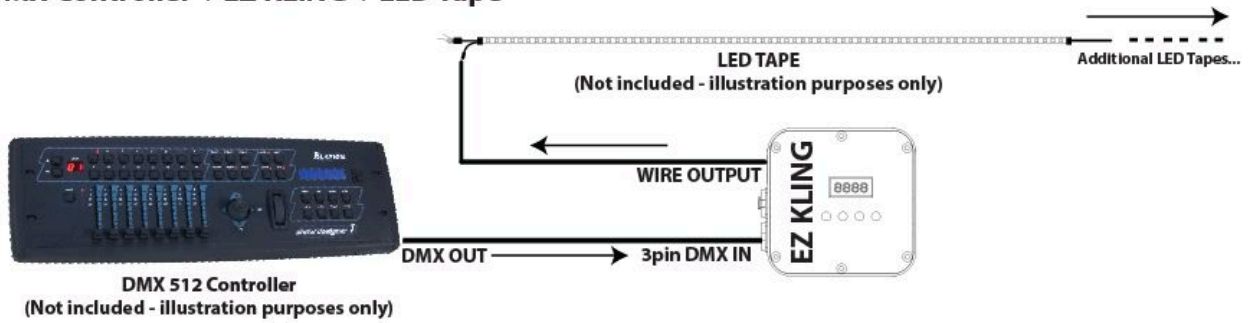
Press **MODE** button to select "**OPTION**", then press **SET UP** button to select "**SYSRESET**", which will start to flash on the LCD display. While "**SYSRESET**" is still flashing, press **UP** and **DOWN** buttons at the same time and all the settings will be reset back to factory defaults.



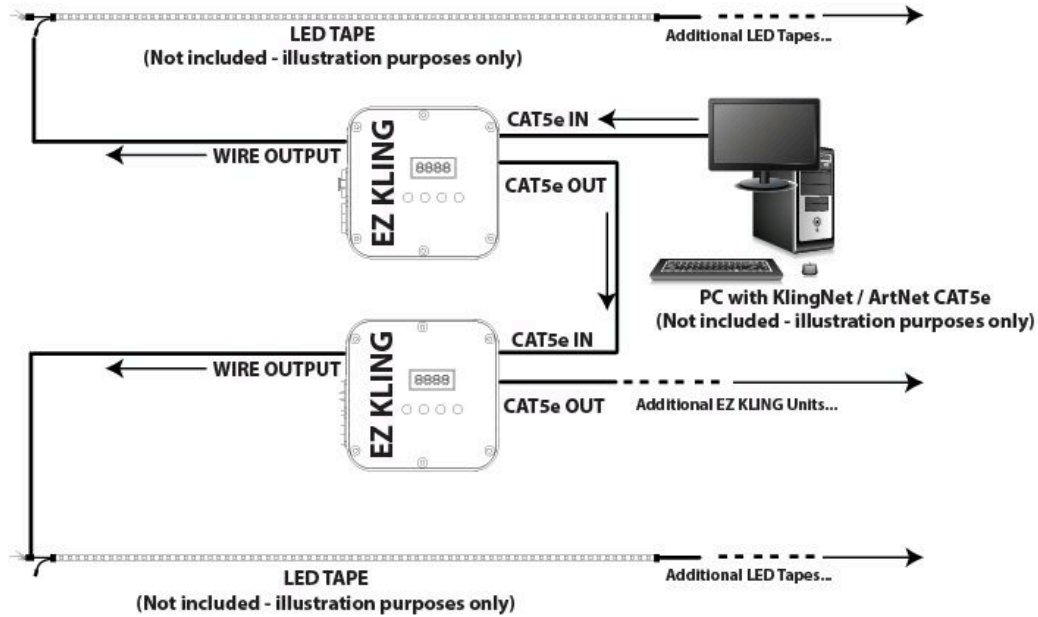
CAUTION - DOING WILL ERASE ALL PREVIOUSLY SAVED SETTINGS!

CONFIGURATION GUIDE

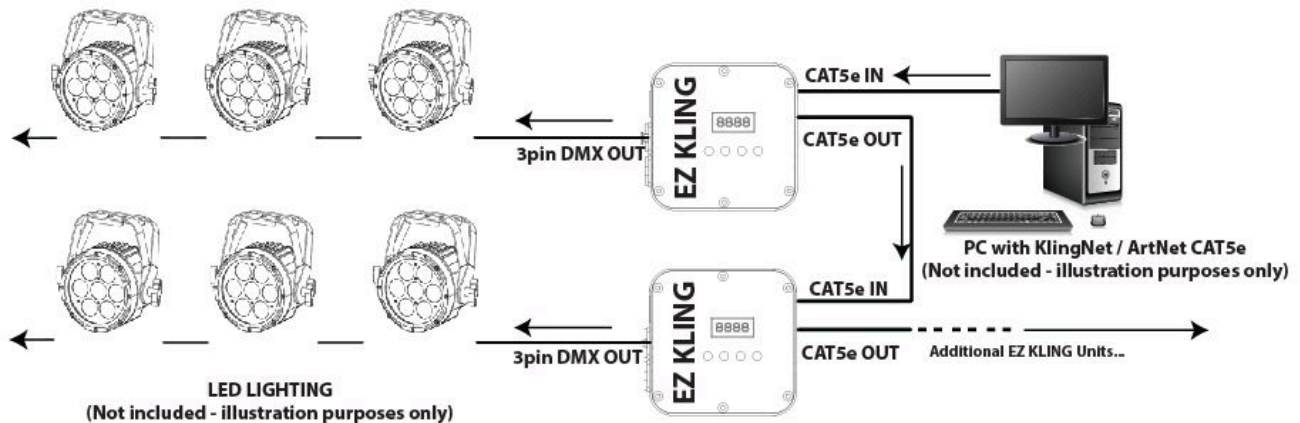
1. DMX Controller + EZ KLING + LED Tape



2. PC Control + EZ KLING + LED Tape



3. PC Control + EZ KLING + LED Lighting



SETUP GUIDE

When connecting EZ KLING™ to a DMX Controller and LED Tape

1. Set **EZ KLING™** to **LED TAPE MODE** and set the total number of pixel to control.
2. Connect the **EZ KLING™** device to the DMX Controller using DMX signal cable.
3. Connect the **LED Tape** to the Bare Wire Terminal Block on **EZ KLING™**.
4. Control the **LED Tape** by the DMX Controller.

When connecting EZ KLING™ to a Computer using KLINGNET to control LED Tape.


1. Install **ArKaos Media Master™** software on your Computer.
2. Set **EZ KLING™** to **KLINGNET** mode and set it to control **LED Tape**.
3. Set the **Pixel Height** and **Width** numbers each **EZ KLING™** device needs to control.
4. Connect the **EZ KLING™** device to the **LED Tape** using standard CAT5 cable.
5. Connect the **LED Tape** to the Bare Wire Terminal Block on **EZ KLING™**.
6. Map the **LED Tape** by **KlingNet Mapper™**.
7. Control the **LED Tape** by **ArKaos Media Master™** software.

Please refer to **ArKaos Media Master™** user manual for more information.

When connecting EZ KLING™ to a Computer using KLINGNET to control LED Lighting.

1. Install **ArKaos Media Master™** software on your Computer.
2. Set **EZ KLING™** to **KLINGNET** mode and set it to control **LED Lighting**.
3. Set the **LED Color Set** of the lighting.
4. Set the **Pixel Height** and **Width** numbers each **EZ KLING™** device needs to control.
5. Connect the Computer to the **EZ KLING™** device using standard CAT5 cable.
6. Connect the **EZ KLING™** device to the **LED Lighting** using DMX signal cable.
7. Map the **LED Lighting** by **KlingNet Mapper™**.
8. Control the **LED Lighting** by **ArKaos Media Master™** software.

Please refer to the **ArKaos Media Master™** user manual for more information.

 **NOTE:** When connecting **EZ KLING™** to a Computer using **KLINGNET** to control **LED Tape** or **LED Lighting**, and after making any setting changes on **EZ KLING™**, you **MUST** close **KlingNet Mapper™** and restart it to remap the **LED Tape** or **LED Lighting** again to make the new **EZ KLING™** setting changes take effect.

When connecting EZ KLING™ to a Computer using ARTNET to control LED Tape.

1. Install **MADRIX™** software on your Computer.
2. Set **EZ KLING™** to **ARTNET** mode and set it to control **LED Tape**.
3. Connect the Computer to the **EZ KLING™** device using standard CAT5 cable.
4. Connect the **LED Tape** to the Bare Wire Terminal Block on **EZ KLING™**.
5. Map the **LED Tape** by the **MATRIX™ Generator** or **Patch**.
6. Control the **LED Tape** by the **MADRIX™** software.

Please refer to **MADRIX™** user manual for more information.

When connecting EZ KLING™ to a Computer using ARTNET to control LED Lighting.

- 1) Install **MADRIX™** software on your Computer.
- 2) Set **EZ KLING™** to **ARTNET** mode and set it to control **LED Lighting**.
- 3) Connect the Computer to the **EZ KLING™** device using standard CAT5e cable.
- 4) Connect the **EZ KLING™** device to the **LED Lighting** using DMX signal cable.
- 5) Map the **LED Lighting** by **MADRIX™ Generator** or **Patch**.
- 6) Control the **LED Lighting** by the **MADRIX™** software.

Please refer to **MADRIX™** user manual for more information.

TECHNICAL SPECIFICATIONS

FEATURES

- RJ45 to DMX and RJ45 to KlingNet™ or ArtNet™ protocol support
- Pixel Map KlingNet™ and DMX Compatible Fixtures through the KlingNet™ mapper
- Drive up to 600 Flex Pixel RGB pixels using KlingNet™ control protocol
- Drive up to 170 DMX Pixels via ArtNet™/ DMX control protocol

CONTROL / CONNECTIONS

- DMX 512, KlingNet™, ArtNet™
- (4) Button Control Panel and LCD Menu Display
- (6) Bare Wire Terminal Block
- (1) 3pin DMX Input
- (1) 3pin DMX Output
- (2) RJ45 Bilateral CAT5e Ports
- (1) 5VDC Power Supply Input

SIZE / WEIGHT

- Length: 5.31" (134.9mm)
- Width: 4.92" (125mm)
- Vertical Height: 1.61" (40.9mm)
- Weight: 1.0 lbs. (0.45kg)

ELECTRICAL / THERMAL

- 5VDC
- 5W Max Power Consumption

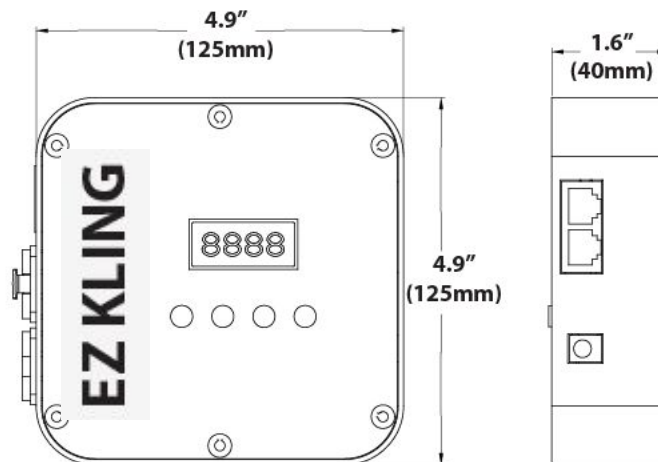
APPROVALS / RATINGS

- CE Approved

INCLUDED ITEMS

- 5VDC Power Supply
- Back Panel Magnet for Easy Installation to a Metal Surface
- Mini Omega Bracket For Clamp/Truss Mounting

DIMENSIONAL DRAWINGS



Please Note: Specifications and improvements in the design of this unit and this manual are subject to change without any prior written notice.

OPTIONAL ACCESSORIES

ORDER CODE	ITEM
NARROW CLAMP	PRO 2" Wrap Around Style Clamp
AC3PDMX5PRO	5 ft. (1.5m) 3pin PRO DMX Cable
AC3PDMX10PRO	10 ft. (3m) 3pin PRO DMX Cable
AC3PDMX15PRO	15 ft. (4.5m) 3pin PRO DMX Cable
	Additional Cable Lengths Available

DMX WORKSHOP™ (alternative software option)

http://artisticlicence.com/index.php?mode=products&sub=overview&action=&product_id=351

NOTES

