

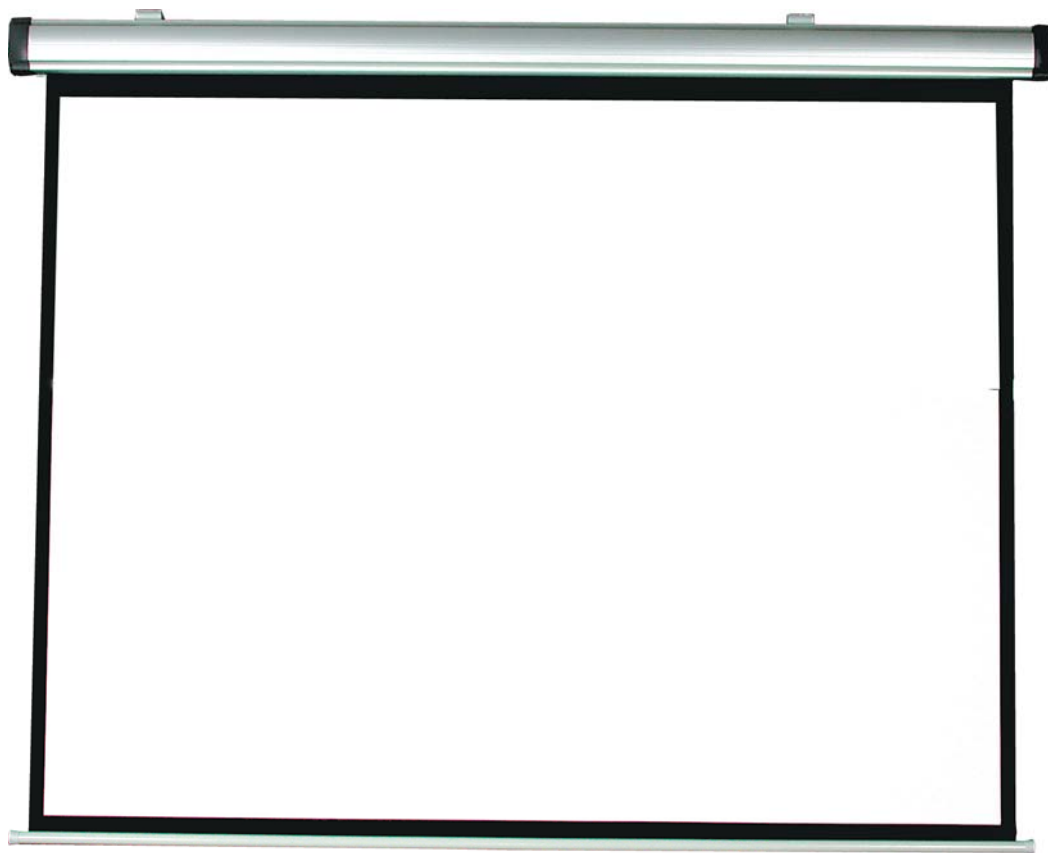
Montage-instructie
Mounting instruction
Montageanleitung
Préscription de montage

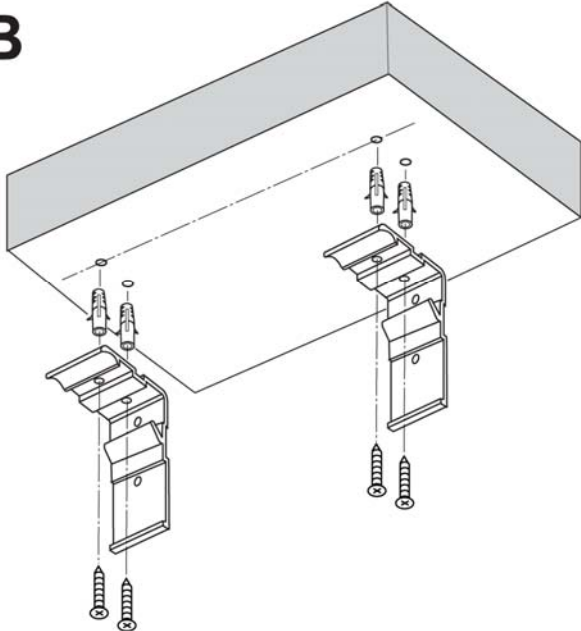
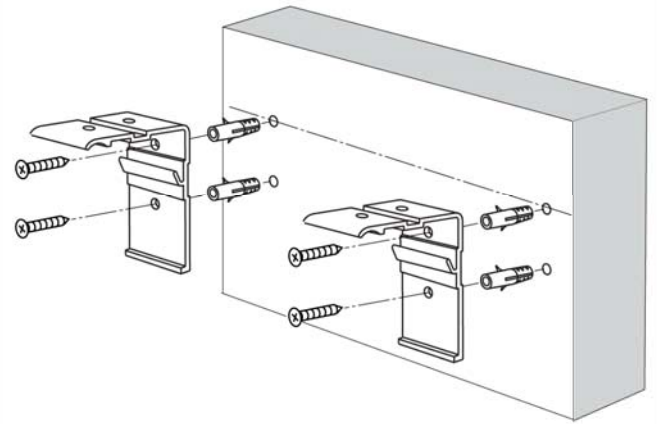
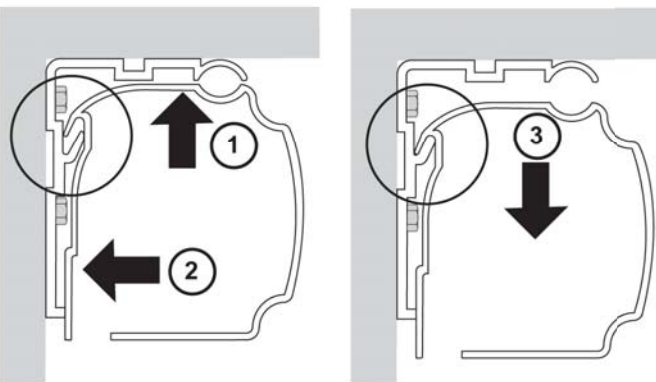
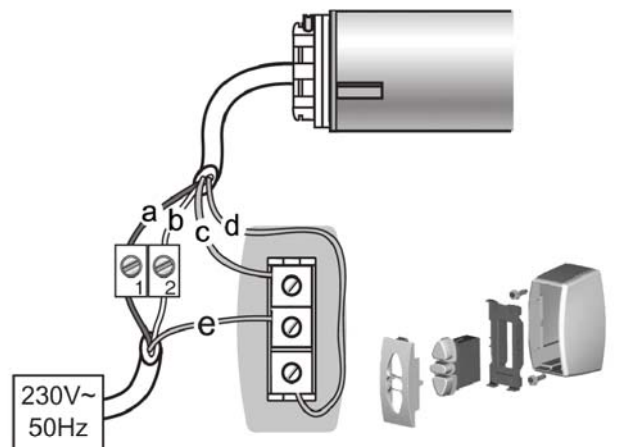
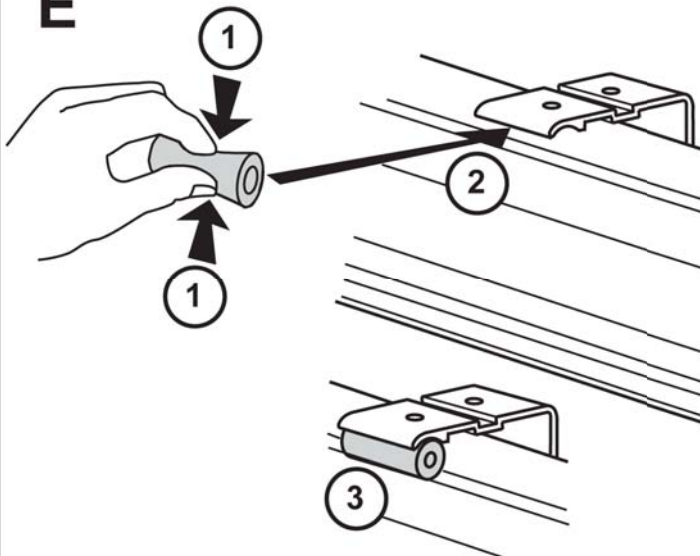
Disposizioni di montaggio
Explicación de la instalación
Инструкция по монтажу



PROJECTA
Screens for Professionals

Dyna Screen Classic



A**B****C****D****F****E**

	230 V - 50 Hz	Cable
a	Neutral	Blue
b	Earth	Yellow/Green
c	Up	Black or Brown
d	Down	Black or Brown
e	Phase	