

# ATH-MSR7NC Active Noise-Cancelling Headphones



---

**User Manual** **Pages 2-10**

ATH-MSR7NC  
Active Noise-Cancelling Headphones

**Manuel de l'utilisateur** **Pages 11-19**

ATH-MSR7NC  
Casques à réduction de bruit active

**Bedienungsanleitung** **Seite 20-28**

ATH-MSR7NC  
Kopfhörer mit aktiver Geräuschunterdrückung

**Manuale dell'utente** **Page 29-37**

ATH-MSR7NC  
Cuffie con riduzione del rumore attivo

**Manual de usuario** **Páginas 38-46**

ATH-MSR7NC  
Auriculares con cancelación de ruido activa

**Manual do Usuário** **Páginas 47-55**

ATH-MSR7NC  
Fones de Ouvido com Cancelamento de Ruído Ativo

**Руководство пользователя** **Стр. 56-64**

ATH-MSR7NC  
Активные наушники с шумоподавлением

**사용설명서** **65-73 페이지**

ATH-MSR7NC  
능동 소음 제거 헤드폰

**用户手册** **P.74-82**

ATH-MSR7NC  
有源降噪耳机

**使用説明書** **P.83-91**

ATH-MSR7NC  
主動式抗噪耳機

# Introduction

---

Thank you for purchasing the product.

Before using the product, read through this user manual to ensure that you will use the product correctly. Also, keep this manual handy for easy reference when needed.

The product uses proprietary active noise-cancelling technology to provide a comfortable listening environment in areas with high ambient noise. The product features a miniature microphone in each earpiece that pick up ambient noise (such as traffic, air-handling systems, etc.) and create a sound-cancelling signal to effectively block the noise.

- The noise-cancelling function of the product mainly operates to reduce noise at 300 Hz or lower, which means it has almost no effect on noise that is above this frequency (such as telephone ringtones and voices).
- The noise-cancelling function may have limited effect when used in quiet locations or when used to cancel certain types of noise.

## Safety precaution

### Caution

Read these cautions before using the product.

To ensure safety, observe all warnings and cautions while using the product.

- Follow applicable laws regarding mobile phone and headphone use if using the product while driving.
- Do not use the product in places where the inability to hear ambient sound presents a serious risk (such as at railroad crossings, train stations, and construction sites).
- To prevent damage to your hearing, do not raise the volume too high. Listening to loud sound for an extended period may cause temporary or permanent hearing loss.
- Discontinue use if skin irritation results from direct contact with the product.
- Stop using the product immediately if you become unwell during use.
- Do not disassemble, modify or attempt to repair the product.
- Be careful to avoid pinching yourself between the housing and arm of the product.
- To ensure compatibility and correct usage, always consult the user manual of any device before connecting the product to it.
- Audio-Technica will not be liable in any way for any loss of data in the unlikely event that such losses should occur while using the product.
- On public transport systems or in other public places, keep the volume low so as not to disturb other people.
- Minimize the volume on your audio device before connecting the product in order to avoid hearing damage from sudden exposure to excessive volume.
- When using the product in a dry environment, you may feel a tingling sensation in your ears. This is caused by static electricity accumulated on your body, not by product malfunction.
- Do not subject the product to strong impact to avoid electric shock, malfunction or fire.
- Do not handle the product with wet hands to avoid electric shock or malfunction.
- Disconnect the product from the device if you encounter any malfunction like noise, smoke, smell, heat or damage with the product. In such case, contact your local Audio-Technica dealer.
- Do not put foreign matter such as combustible materials, metal, or liquid in the product.
- Do not cover the product with a cloth while using or charging.
- Do not store the product under direct sunlight, near heating devices or in a hot, humid or dusty place. Do not allow the product to get wet.
- When the product is used for a long time, the product may become discolored due to ultraviolet light (especially direct sunlight) or wear.
- The included cable may become caught or severed if the product is placed in a bag or pocket without adequate protection. Always store the product in the included pouch.
- Connect/disconnect the included cable by holding the plug. Pulling directly on the included cable can result in a broken wire and the risk of electric shock.
- Do not wind the included cable around your audio device. This may damage or sever the included cable.
- The product cannot be used with some portable audio players or other devices that are equipped with a digital amplifier.
- The included airplane adapter may not be compatible with certain types of aircraft devices.
- Do not use the product when the use of electronic devices is prohibited on the airplane, or when the use of personal headphones with the aircraft's audio service is prohibited.
- Be sure to purchase the appropriate conversion plug adaptor when connecting the product to a device equipped with something other than a 3.5 mm (1/8") stereo headphone jack.
- An extension cable for the product is sold separately.

# Safety precaution

## Caution for rechargeable battery

The product is equipped with a rechargeable battery (lithium polymer battery).

- If battery fluid gets into eyes, do not rub them. Rinse thoroughly with clean water such as tap water and consult a doctor immediately.
- If battery fluid leaks, do not touch fluid with bare hands. If fluid remains inside the product, it may cause malfunction. If battery fluid leaks, contact your local Audio-Technica dealer.
  - If fluid gets in your mouth, gargle thoroughly with clean water such as tap water and consult a doctor immediately.
  - If your skin or clothing comes in contact with fluid, immediately wash the affected skin or clothing with water. If you experience skin irritation, consult a doctor.
- Never heat, disassemble or modify the battery, nor dispose of it in a fire.
- Do not attempt to pierce with a nail, hit with a hammer or step on the battery to avoid generation of heat, damage or ignition.
- Do not drop the product or subject it to strong impact to avoid leakage, generation of heat or explosion.
- Do not get the battery wet to avoid generation of heat, explosion or ignition.
- Do not use, leave or store the battery in the following places:
  - Area exposed to direct sunlight or high temperatures and humidity
  - Inside of a car under the blazing sun
  - Near heat sources such as heat registers
- Charge only with the included USB cable to avoid malfunction or fire.
- After using the product, be sure to switch it off. Leakage often occurs due to battery drain that results from a failure to switch off product.
- To protect the built-in rechargeable battery, charge it at least once every half year. If you leave it too long, you will have less rechargeable battery life or the battery may not recharge at all.
- Because this product's design is optimized to provide stable noise-cancelling performance, its structure does not allow for replacement of the built-in rechargeable battery after purchase. The battery may have reached the end of its service life if the usage time becomes shorter even though the battery is fully charged, or if charging is still not complete after more than 4 hours of continuous charging. In this case, contact your local Audio-Technica dealer.

## For customers in the USA

### FCC Notice

#### Warning

This device complies with Part 15 of the FCC Rules. Operation is subject to the following two conditions: (1) This device may not cause harmful interference, and (2) this device must accept any interference received, including interference that may cause undesired operation.

#### Caution

You are cautioned that any changes or modifications not expressly approved in this manual could void your authority to operate this equipment.

**Note:** This equipment has been tested and found to comply with the limits for a Class B digital device, pursuant to part 15 of the FCC Rules. These limits are designed to provide reasonable protection against harmful interference in a residential installation. This equipment generates, uses and can radiate radio frequency energy and, if not installed and used in accordance with the instructions, may cause harmful interference to radio communications. However, there is no guarantee that interference will not occur in a particular installation. If this equipment does cause harmful interference to radio or television reception, which can be determined by turning the equipment off and on, the user is encouraged to try to correct the interference by one or more of the following measures:

- Reorient or relocate the receiving antenna.
- Increase the separation between the equipment and receiver.
- Connect the equipment into an outlet on a circuit different from that to which the receiver is connected.
- Consult the dealer or an experienced radio/TV technician for help.

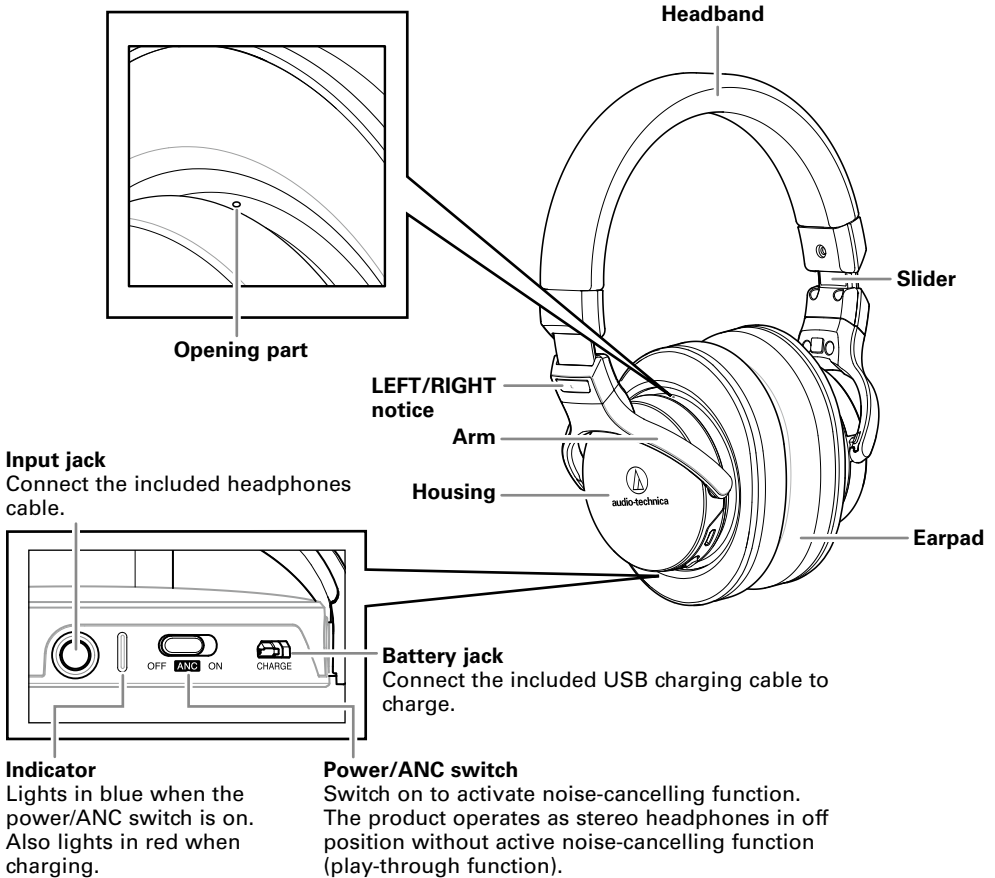
## For customers in Canada

### IC statement

CAN ICES-3 (B)/NMB-3(B)



## Part names and functions



### Included accessories



- Detachable 1.2 m (3.9') headphones cable with 3.5 mm (1/8") gold-plated stereo mini-plugs



- Detachable 1.2 m (3.9') headphones cable for smartphones with in-line controller/microphone unit and 3.5 mm (1/8") gold-plated stereo mini-plugs



- Airplane adapter



- USB charging cable



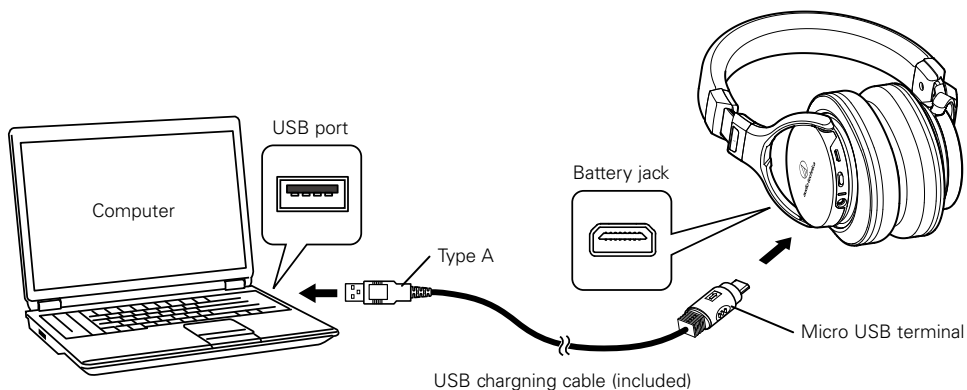
- Pouch

\* The jack on airplane equipment may be different than the standard 3.5 mm (1/8") input. Use included airplane adapter when necessary.

# Using headphones

## How to charge

- Fully charge the battery when using for the first time.
- It takes about 4 hours to charge the battery fully. (It varies depending on service conditions.)



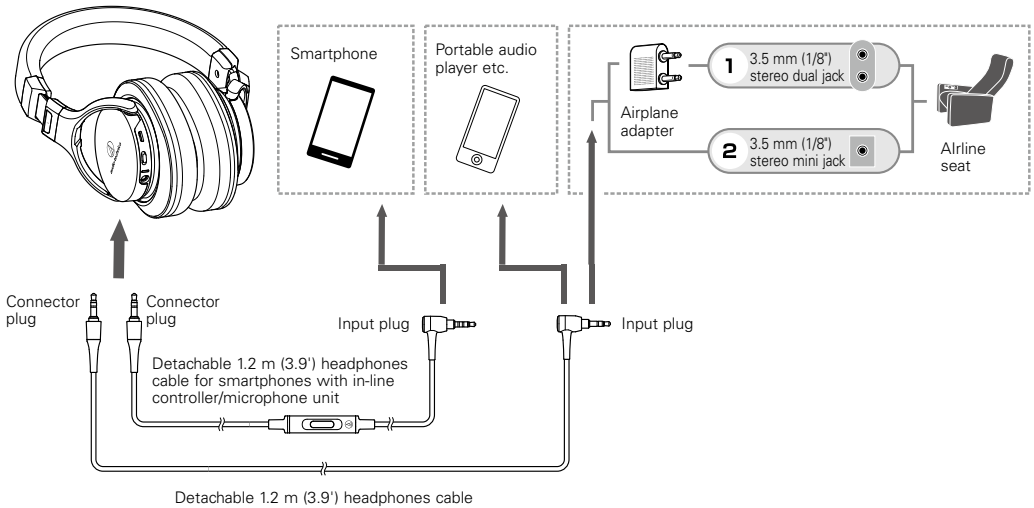
- 1 Connect the included USB charging cable (the micro USB terminal side) to the headphones' battery jack.
  - \* The included USB charging cable is specifically designed to charge the product. Data cannot be transferred to and from computer.
- 2 Connect the included USB charging cable (the Type A side) to the computer and start charging.
- 3 During charging, the indicator turns on/flashes as follows:

Indicator	Charging condition
Lights in red	Charging
Off	Complete
Flashes in red	Error*

\* In case of charging error, disconnect the product from your device and contact your Audio-Technica dealer.

# Using headphones

## How to connect



1 Select the cable that you want to use, and connect the connector plug of the cable to the input jack of the headphones.

\* Before using the detachable cables, identify the “Connector plug” and the “Input plug”.

2 Minimize the volume of each sound device, then connect the “Input plug” to the headphones terminal.

\* Use included airplane adapter to connect to typical airline audio systems.

3 Move the power/ANC switch on the product to the ON position, and fit the earpads over your ears with the side marked “L” over your left ear and “R” over your right ear, adjusting the headband length by sliding the adjustable slider as shown in the figure.

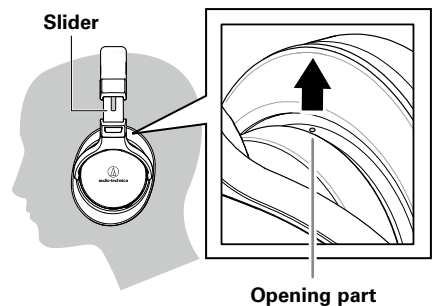
\* Place the product on your head with the opening part facing upward, so that the product can provide stable noise-cancelling performance.

\* Make sure the indicator is on.

The indicator lights in	Condition
Blue	The power/ANC switch is on
Red	Charging
Purple	The power/ANC switch is on and charging

4 Turn on your audio device, and adjust volume as necessary.

\* Also read instruction manual of audio device.

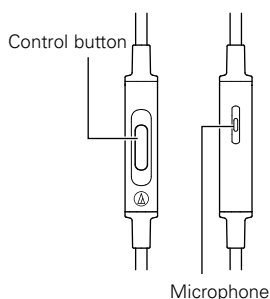


## Using headphones

5 After you have finished using your headphones, be certain to move the power/ANC switch to the OFF position, and detach the 1.2 m (3.9') headphones cable from the headphones and the audio device or smartphone.

- For noise-cancelling without audio, there is no need to connect the headphones cable.
- The product features the play-through function to operate as stereo headphones and play music from a portable device even if the product runs out of battery (play-through function).
- Playback sound can be easily heard outside to ensure the quality performance of the product. On public transport systems or in other public places, keep the volume low so as not to disturb other people.

### Using the headphones cable for smartphones



Playback/pause for music/movies Answering/ending calls	Press the control button once.
---	--------------------------------

- \* Some smartphones do not support playback and pause functionality for music/movie files.
- \* Audio-Technica does not provide support for how to use smartphones.

## Cleaning

Get into the habit of regularly cleaning your headphones to ensure that they will last for a long time. Do not use alcohol, paint thinners or other solvents for cleaning purposes.

- Wipe the main unit with a dry cloth to clean the headphones/remote control with microphone.
- Wipe your cables with a dry cloth after use if there is sweat or other dirt present. Using an unclean cable continuously will deteriorate and harden the cable, resulting in product malfunction.
- Wipe your plugs on cables with a dry cloth if dirty. Using the plug without cleaning it can cause sound skipping or distortion.
- To clean the earpads and headband, wipe with a dry cloth. Earpads and headband may fade if sweat or water dries on them. If the earpads and headband get wet, we recommend wiping them with a dry cloth and allowing them to dry in the shade.
- For long-time storage, keep the product in a well-ventilated place free from high temperatures and humidity.
- Earpads will deteriorate over time due to use and storage. Replace when necessary. For information about replacing earpads or other parts, or for information about other serviceable parts, contact your Audio-Technica dealer.

## Troubleshooting

<b>Problem</b>	<b>Solution</b>
Ambient noise is not reduced.	<ul style="list-style-type: none"><li>• Make sure the indicator is on. Charge the battery if the indicator does not light when the power/ANC switch is on.</li><li>• Adjust headphones' position. Headphones may be incorrectly positioned on ears.</li><li>• Ambient noise may be out of synchronization with noise-cancelling frequency.</li></ul>
The product produces rumbling noise.	<ul style="list-style-type: none"><li>• Connecting to some devices such as portable audio players equipped with a digital amplifier can cause noise.</li><li>• Using the product in a car, bus, etc. may cause noise depending on the road condition.</li></ul>
Howling sound is caused.	<ul style="list-style-type: none"><li>• Adjust headphones' position. Headphones may be incorrectly positioned on ears.</li><li>• Do not touch the opening part in the housing. Touching or covering the opening part can cause howling sound.</li></ul>
Sound has become distorted.	<ul style="list-style-type: none"><li>• Turn down the volume of audio/video equipment.</li><li>• Charge the product.</li></ul>
Sound buzzes and flutters.	<ul style="list-style-type: none"><li>• The product may pick up noise from mobile phones or equipment related to computers nearby. Keep the noise-causing equipment away from the product.</li></ul>
The product cannot be charged.	<ul style="list-style-type: none"><li>• Securely connect the included USB charging cable and charge.</li></ul>

# Specifications

## Headphones component

Type	Closed-back dynamic
Driver	45 mm
Output sound pressure level	97 dB/mW (PASSIVE), 104 dB/mW (ACTIVE)
Frequency response	5 to 40,000 Hz
Impedance	30 ohms (PASSIVE), 150 ohms (ACTIVE)
Input jack	3.5 mm (1/8") stereo mini jack
Plug	3.5 mm (1/8") gold-plated stereo mini-plug, 3.5 mm (1/8") gold-plated stereo mini-plug (4-pole / L-shaped)

## Microphone component (Headphones cable for smartphones)

Type	Electret condenser
Polar pattern	Omnidirectional
Sensitivity	-40 dB (1 V/Pa, at 1 KHz)
Frequency response	50 to 4,000 Hz

## Other

Power source	DC 3.7 V lithium polymer battery
Charging time	Approx. 4 hours*
Operating time	Approx. 30 hours
Weight	Approx. 305 g (without cable)
Operating temperature	5°C to 40°C
Included accessories	Detachable 1.2 m (3.9') headphones cable with 3.5 mm (1/8") gold-plated stereo mini-plugs Detachable 1.2 m (3.9') headphones cable for smartphones with in-line controller/ microphone unit and 3.5 mm (1/8") gold-plated stereo mini-plugs USB charging cable Pouch Airplane adapter

\* The above figures depend on operating conditions.

(For product improvement, the product is subject to modification without notice.)

# Introduction

Nous vous remercions d'avoir choisi ce produit.

Avant utilisation, merci de lire attentivement ce manuel pour vous assurer du bon usage du produit. En outre, conservez ces instructions à portée de main pour vous y reporter facilement au besoin.

Le produit utilise une technologie de réduction du bruit active exclusive pour fournir un environnement d'écoute confortable dans des endroits où règne un niveau de bruit ambiant élevé. Le produit comporte un microphone miniature dans chaque oreillette qui capte le bruit ambiant (comme la circulation, les systèmes de traitement d'air, etc.) et crée un signal d'annulation du bruit permettant de bloquer efficacement le bruit.

- La fonction de réduction du bruit de ce produit fonctionne principalement pour atténuer le bruit à 300 Hz ou moins, ce qui signifie qu'elle n'a pratiquement pas d'impact sur le bruit au-dessus de cette fréquence (comme les sonneries de téléphone et les voix).
- La fonction de réduction du bruit peut avoir un impact limité si elle est utilisée dans des endroits silencieux ou si elle est utilisée pour annuler des bruits spécifiques.

# Consignes de sécurité

## Mises en garde

Lisez ces mises en garde avant d'utiliser le produit.

Pour garantir la sécurité, observez tous les avertissements et mises en garde avant et pendant l'utilisation du produit.

- Respectez les lois en vigueur concernant l'utilisation de téléphones mobiles et casques si vous utilisez le produit en conduisant.
- N'utilisez pas le produit dans des endroits où l'incapacité à entendre les sons ambiants présente un risque grave (tels qu'un passage à niveau, une gare ferroviaire et des chantiers).
- Pour éviter d'endommager votre ouïe, n'augmentez pas trop le volume. L'écoute prolongée de sons forts peut provoquer une perte auditive temporaire ou permanente.
- Cessez d'utiliser le produit en cas d'irritation cutanée découlant d'un contact direct avec celui-ci.
- Arrêtez immédiatement d'utiliser le produit si vous sentez mal pendant l'utilisation.
- Abstenez-vous de démonter, modifier ou tenter de réparer le produit.
- Prenez garde de ne pas vous pincer entre la coque et le bras du produit.
- Pour garantir la compatibilité et une utilisation correcte, consultez toujours le mode d'emploi de l'appareil auquel vous connecterez le produit.
- Audio-Technica ne pourra en aucun cas être tenu responsable des pertes de données dans le cas peu probable de leur survenue pendant l'utilisation du produit.
- Dans les transports publics ou dans d'autres lieux publics, veillez au volume afin de ne pas déranger les autres.
- Baissez le volume sur votre appareil audio avant d'y connecter le produit afin d'éviter d'endommager votre ouïe en raison d'une exposition soudaine à un volume sonore excessif.
- Si vous utilisez le produit dans une atmosphère sèche, vous pouvez ressentir des picotements dans les oreilles. Ceci est dû à l'électricité statique accumulée sur votre corps et non pas à un dysfonctionnement du produit.
- Ne soumettez pas le produit à un choc violent pour éviter tout risque d'électrocution, de dysfonctionnement ou d'incendie.
- Ne manipulez pas le produit avec les mains mouillées pour éviter tout risque d'électrocution ou de dysfonctionnement.
- Déconnectez le produit de l'appareil si vous venez à constater rencontrez des problèmes, tels que du bruit, de la fumée, une odeur, une surchauffe ou un endommagement du produit. Le cas échéant, prenez contact avec votre revendeur local Audio-Technica.
- N'introduisez pas de corps étrangers comme des matériaux combustibles, du métal ou un liquide dans le produit.
- Ne recouvrez pas le produit d'un tissu pendant que vous l'utilisez ou le chargez.
- Ne placez pas le produit sous un ensoleillement direct, près d'appareils générant de la chaleur ou dans un endroit chaud, humide ou poussiéreux. Ne mouillez pas le produit.
- Si vous utilisez longtemps le produit, il peut se décolorer en raison de la lumière ultraviolette (particulièrement sous un ensoleillement direct) ou de l'usure.
- Le câble fourni peut se retrouver coincé ou coupé si le produit est placé dans un sac ou une poche sans protection adéquate. Rangez toujours le produit dans l'étui fourni.
- Branchez ou débranchez le câble fourni en le tenant par sa fiche.  
Si vous tirez directement sur le câble fourni, vous risquez de rompre un fil électrique et de vous électrocuter.
- N'enroulez pas le câble fourni autour de votre appareil audio, sous peine d'endommager ou de couper le câble fourni.
- Le produit ne peut pas être utilisé avec certains lecteurs audio portables ou autres appareils pourvus d'un amplificateur numérique.
- L'adaptateur pour avion fourni peut ne pas être compatible avec certains types d'aéronefs.
- Ne faites pas usage du produit lorsque l'utilisation des appareils électroniques est interdite en avion ou si l'utilisation d'un casque personnel est interdite avec le service audio d'un aéronef.
- Veillez à acheter l'adaptateur de fiche adéquat lorsque vous connectez le produit à un appareil pourvu d'une autre prise que la prise casque stéréo 3,5 mm.
- Un câble d'extension pour le produit est vendu séparément.



## Consignes de sécurité

### Mise en garde relative à la batterie rechargeable

Le produit est doté d'une batterie rechargeable (batterie Lithium-Polymère (LiPo)).

- Si le liquide de batterie pénètre dans vos yeux, ne les frottez pas. Rincez abondamment à l'eau claire et consultez immédiatement un médecin.
- En cas de fuite du liquide de batterie, ne le touchez pas les mains nues. Si le liquide reste à l'intérieur du produit, cela peut provoquer un dysfonctionnement. En cas de fuite du liquide de batterie, prenez contact avec votre revendeur local Audio-Technica.
  - Si le liquide pénètre dans votre bouche, rincez-vous abondamment la bouche à l'eau et consultez immédiatement un médecin.
  - Si le liquide entre en contact avec votre peau ou vos vêtements, lavez immédiatement la zone affectée avec de l'eau. En cas d'irritation cutanée, consultez un médecin.
- Ne jamais chauffer, démonter ou modifier la batterie, ni la jeter au feu.
- N'essayez pas de percer la batterie avec un clou, de la frapper avec un marteau ou de marcher dessus pour éviter qu'elle ne chauffe, s'abîme ou s'enflamme.
- Ne lâchez pas le produit, ni ne le soumettez à un choc violent pour éviter qu'il ne fuie, chauffe ou explose.
- Ne mouillez pas la batterie pour éviter qu'elle ne chauffe, explose ou s'enflamme.
- Abstenez-vous d'utiliser, laisser ou ranger la batterie dans les endroits suivants:
  - Zone exposée à un ensoleillement direct ou à des températures ou une humidité élevées
  - À l'intérieur d'une voiture ou sous un soleil de plomb
  - Près de sources de chaleur ou d'appareils de chauffage
- La recharge ne doit être faite qu'avec le câble USB fourni pour éviter un dysfonctionnement ou un incendie.
- Après avoir utilisé le produit, pensez à l'éteindre. Les fuites sont souvent dues à la décharge de la batterie si le produit n'est pas éteint.
- Pour protéger la batterie rechargeable intégrée, chargez-la au moins une fois tous les six mois. Si vous la laissez trop longtemps sans la recharger, sa durée de vie sera réduite ou il se peut qu'elle ne se recharge pas du tout.
- Étant donné que le design de ce produit est optimisé pour fournir des performances de réduction du bruit stables, sa structure ne permet pas le remplacement de la batterie rechargeable intégrée après achat. Il se peut que la batterie ait atteint la fin de sa vie utile si la durée d'utilisation raccourcit même si la batterie est complètement chargée ou si la charge n'est toujours pas terminée après plus de 4 heures de charge continue. Le cas échéant, prenez contact avec votre revendeur local Audio-Technica.

### À l'attention des clients aux États-Unis

#### Avis de la FCC Avertissement

Cet appareil est conforme à la Partie 15 du règlement de la FCC. Son fonctionnement est soumis aux deux conditions suivantes: (1) Cet appareil ne doit pas causer d'interférence nocive et (2) cet appareil doit accepter les interférences reçues, y compris les interférences pouvant provoquer un fonctionnement indésirable.

#### Mise en garde

Vous êtes averti que tout changement ou modification non expressément approuvé dans ce manuel pourrait limiter le droit de l'utilisateur à faire usage de cet appareil.

**Remarque:** Cet appareil a fait l'objet de tests afin de vérifier sa conformité avec les limites relatives aux appareils numériques de classe B, conformément à la partie 15 du règlement de la FCC. Ces limites ont pour vocation d'offrir une protection raisonnable contre les interférences nocives en installation résidentielle. Cet appareil génère, utilise et peut émettre des fréquences radioélectriques et provoquer, en cas d'installation et d'utilisation non conformes aux instructions, des interférences préjudiciables à la réception des signaux radio. Toutefois, il n'y a pas de garantie que des interférences ne se produiront pas dans une installation particulière. Si l'appareil provoque des interférences préjudiciables à la réception radio ou télévisée, ce qui peut être déterminé en éteignant et allumant l'appareil, l'utilisateur est invité à essayer d'y remédier en prenant une ou plusieurs des mesures suivantes :

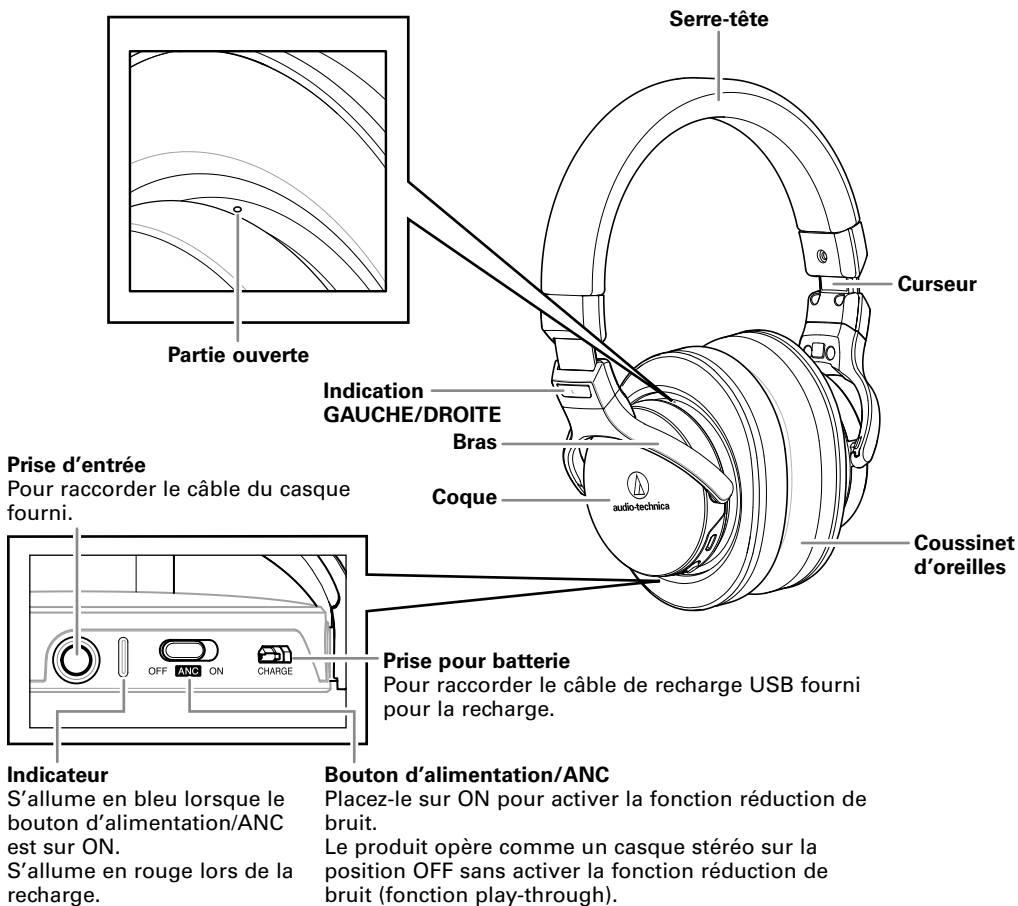
- Réorienter ou déplacer l'antenne réceptrice.
- Augmenter la séparation entre l'appareil et le récepteur.
- Brancher l'appareil dans une prise sur un circuit différent de celui auquel est raccordé le récepteur.
- Demandez de l'aide au revendeur ou à un technicien radio/TV qualifié.

### À l'attention des clients au Canada

#### Déclaration IC

CAN ICES-3 (B)/NMB-3(B)

# Noms de pièces et fonctions



## Accessoires fournis



- Câble détachable de 1,2 m avec mini-prises stéréo plaquées or de 3,5 mm



- Câble détachable de 1,2 m pour smartphones avec télécommande/ microphone et mini-prises stéréo plaquées or de 3,5 mm



- Adaptateur pour avion



- Câble de recharge USB



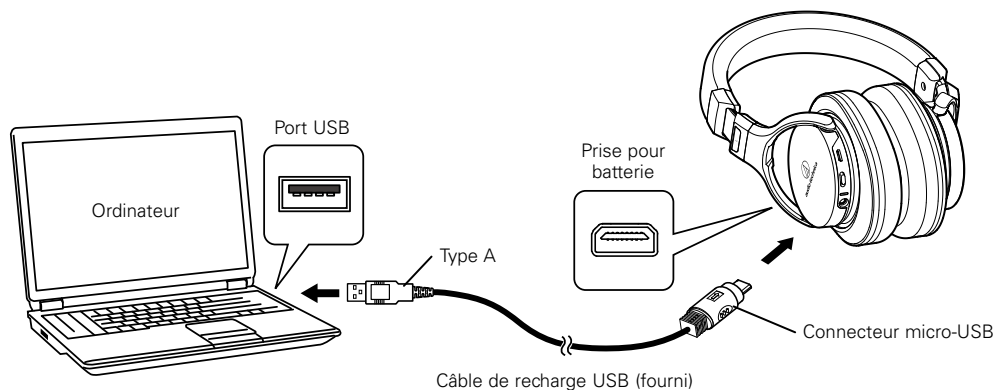
- Pochette de protection

\* La prise sur l'appareil de l'avion peut être différente de la prise d'entrée 3,5 mm standard. Utilisez l'adaptateur pour avion fourni au besoin.

## Utilisation du casque

### Comment procéder à la recharge

- Chargez complètement la batterie lors de la première utilisation.
- Il faut environ 4 heures pour charger complètement la batterie. (Cette durée varie selon les conditions du service.)



1 Branchez le câble de recharge USB fourni (côté connecteur micro-USB) dans la prise pour batterie du casque.

\* Le câble de recharge USB fourni est spécifiquement conçu pour charger le produit. Il ne permet pas de transférer des données de et vers l'ordinateur.

2 Branchez le câble de recharge USB fourni (côté type A) sur l'ordinateur et commencez la charge.

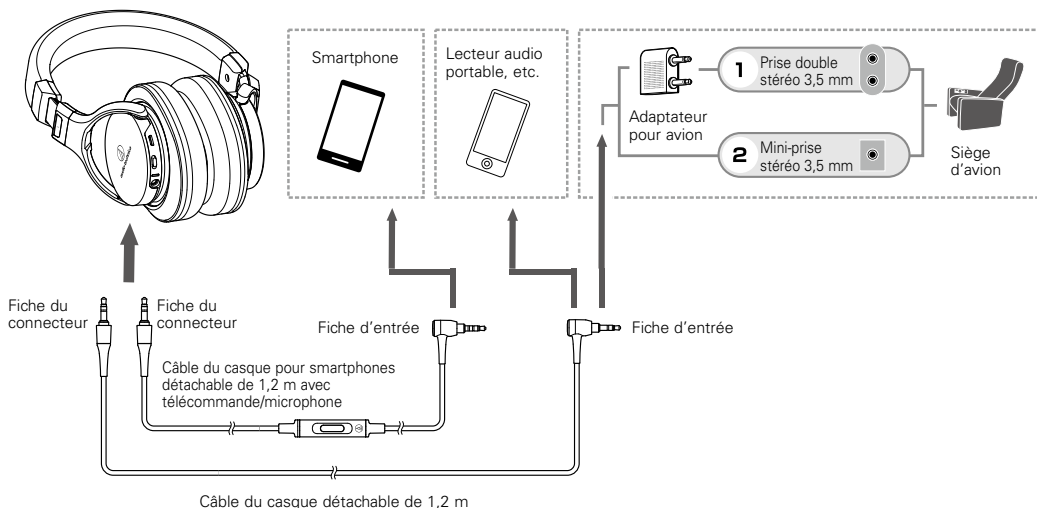
3 Pendant la charge, le témoin s'allume ou clignote comme suit:

Indicateur	État de la charge
S'allume en rouge	Charge
Éteint	Terminée
Clignote en rouge	Erreur*

\* En cas d'erreur de charge, débranchez le produit de votre appareil et contactez votre revendeur local Audio-Technica.

# Utilisation du casque

## Comment procéder à la connexion



1 Sélectionnez le câble que vous souhaitez utiliser et branchez la fiche du connecteur du câble dans la prise d'entrée du casque.

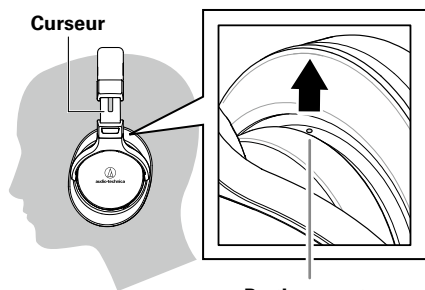
\* Avant d'utiliser les câbles détachables, identifiez la « fiche du connecteur » et la « fiche d'entrée ».

2 Baissez le volume sur chaque appareil sonore, puis branchez la « fiche d'entrée » dans le connecteur du casque.

\* Utilisez l'adaptateur pour avion fourni pour la connexion aux systèmes audio typiques des avions.

3 Placez le bouton d'alimentation/ANC sur le produit sur la position ON et placez les coussinets d'oreilles sur vos oreilles avec le côté marqué « L » sur votre oreille gauche et le côté marqué « R » sur votre oreille droite, et réglez la longueur du serre-tête en faisant glisser le curseur réglable comme illustré sur la figure.

\* Placez le produit sur votre tête avec la partie ouverte tournée vers le haut, de sorte que le produit puisse fournir des performances de réduction du bruit stables.



\* Assurez-vous que l'indicateur soit allumé.

L'indicateur s'allume en	État
Bleu	Le bouton d'alimentation/ANC est sur ON
Rouge	Charge
Violet	Le bouton d'alimentation/ANC est sur ON et pendant la charge

4 Allumez votre appareil audio et réglez le volume au besoin.

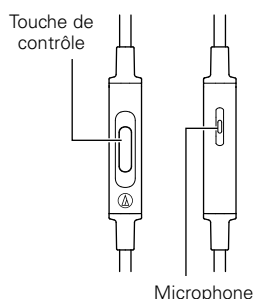
\* Lisez également le mode d'emploi de l'appareil audio.

## Utilisation du casque

5 Lorsque vous n'utilisez plus le casque, veuillez à placer le bouton d'alimentation/ANC sur la position OFF et à retirer le câble de casque 1,2 m du casque et de l'appareil audio ou du smartphone.

- Pour réduire le bruit sans audio, il n'est pas nécessaire de brancher le câble du casque.
- Le produit intègre la fonction play-through permettant de l'utiliser comme casque stéréo et de lire la musique depuis un appareil portable même si la batterie du produit est épuisée (fonction play-through).
- Le son de lecture est facilement audible en extérieur garantissant une performance du produit de qualité. Dans les transports publics ou dans d'autres lieux publics, maintenez le volume à un faible niveau pour ne pas déranger les autres.

### Utilisation du câble du casque pour smartphones



Lecture/pause de la musique ou des films Répondre/mettre fin aux appels	Appuyez une fois sur la touche de commande.
--	---

- \* Certains smartphones ne prennent pas en charge la fonctionnalité de lecture et pause pour les fichiers audio/vidéo.
- \* Audio-Technica ne fournit pas d'assistance sur la manière d'utiliser un smartphone.

## Nettoyage

Prenez l'habitude de nettoyer régulièrement votre casque pour garantir qu'il durera longtemps. N'utilisez pas d'alcool, de diluant à peinture ou d'autres solvants pour le nettoyage.

- Essayez l'unité principale avec un chiffon sec pour nettoyer le casque ou la télécommande avec microphone.
- Essayez les câbles avec un chiffon sec après utilisation en présence de sueur ou de saleté. Si vous utilisez constamment un câble sale, il se détériorera et se durcira entraînant un dysfonctionnement du produit.
- Essayez les fiches des câbles avec un chiffon sec si elles sont sales. Si vous utilisez une fiche sans la nettoyer, le son peut être saccadé ou déformé.
- Pour nettoyer les coussinets d'oreilles et le serre-tête, essayez-les avec un chiffon sec. Les coussinets d'oreilles et le serre-tête peuvent se décolorer si de la sueur ou de l'eau sèche dessus. Si les coussinets d'oreilles et le serre-tête sont mouillés, nous vous recommandons de les essuyer avec un chiffon sec et de les laisser sécher à l'ombre.
- Si vous prévoyez de ranger le produit pendant une période prolongée, conservez-le dans un endroit bien aéré à l'abri de températures ou humidité élevée(s).
- Les coussinets d'oreilles se détériorent avec le temps suite à l'utilisation et au rangement. Remplacez-les au besoin. Pour des informations sur le remplacement des coussinets d'oreilles ou d'autres pièces ou pour en savoir plus sur les pièces réparables, prenez contact avec votre revendeur Audio-Technica.

## Guide de dépannage

Problème	Solution
Le bruit ambiant n'est pas atténué.	<ul style="list-style-type: none"><li>• Assurez-vous que l'indicateur est allumé. Chargez la batterie si l'indicateur ne s'allume pas lorsque le bouton d'alimentation/ANC est sur ON.</li><li>• Réglez la position du casque. Il se peut que le casque soit mal placé sur les oreilles.</li><li>• Le bruit ambiant peut ne pas être synchronisé avec la fréquence de réduction du bruit.</li></ul>
Le produit émet un grondement.	<ul style="list-style-type: none"><li>• La connexion à certains appareils comme un lecteur audio portable pourvu d'un amplificateur numérique peut provoquer du bruit.</li><li>• L'utilisation du produit dans une voiture, un bus ou autre peut provoquer du bruit en fonction de l'état de la route.</li></ul>
Des mugissements sont entendus.	<ul style="list-style-type: none"><li>• Réglez la position du casque. Il se peut que le casque soit mal placé sur les oreilles.</li><li>• Ne touchez pas la partie ouverte de la coque. Si vous touchez ou couvrez la partie ouverte, des mugissements peuvent être entendus.</li></ul>
Le son est déformé.	<ul style="list-style-type: none"><li>• Baissez le volume de l'appareil audio-vidéo.</li><li>• Chargez le produit.</li></ul>
Le son bourdonne et vacille.	<ul style="list-style-type: none"><li>• Il se peut que le produit capte du bruit provenant de téléphones portables ou d'ordinateurs à proximité. Éloignez l'appareil à l'origine du bruit du produit.</li></ul>
Le produit ne peut pas être chargé.	<ul style="list-style-type: none"><li>• Branchez solidement le câble de recharge USB fourni et procédez à la charge.</li></ul>

## Caractéristiques techniques

### Éléments du casque

Type	Dynamique fermé
Transducteur	45 mm
Niveau de pression acoustique émis	97 dB/mW (PASSIVE), 104 dB/mW (ACTIVE)
Réponse en fréquences	5 et 40 000 Hz
Impédance	30 ohms (PASSIVE), 150 ohms (ACTIVE)
Prise d'entrée	Mini-prise stéréo 3,5 mm
Fiche	Mini-prise stéréo plaquée or de 3,5 mm, mini-prise stéréo plaquée or de 3,5 mm (quadripolaire/en L)

### Éléments du microphone (câble du casque pour smartphones)

Type	Condensateur électret
Courbe de directivité	Omnidirectionnel
Sensibilité	-40 dB (1 V/Pa, à 1 KHz)
Réponse en fréquences	50 et 4 000 Hz

### Autres

Source d'alimentation	Batterie Lithium-Polymère (LiPo) CC 3,7 V
Temps de charge	Environ 4 heures*
Autonomie	Environ 30 heures
Poids	Environ 305 g (sans le câble)
Température de fonctionnement	5°C et 40°C
Accessoires fournis	Câble détachable de 1,2 m avec mini-prises stéréo plaquées or de 3,5 mm Câble détachable de 1,2 m pour smartphones avec télécommande/microphone et mini-prises stéréo plaquées or de 3,5 mm Câble de recharge USB Pochette de protection Adaptateur pour avion

\* Les chiffres ci-dessus dépendent des conditions d'utilisation.

(Le produit est susceptible d'être modifié sans préavis à des fins d'amélioration.)

# Einleitung

---

Vielen Dank für den Einkauf des Produkts.

Lesen Sie diese Bedienungsanleitung vor Gebrauch des Produkts um sicherzustellen, dass Sie es korrekt verwenden. Heben Sie diese Anleitung für später möglicherweise anfallende Fragen gut auf.

Das Produkt basiert auf proprietärer aktiver Geräuschunterdrückungstechnologie und ermöglicht an Orten mit lauten Umgebungsgeräuschen ein komfortables Hören. Das Produkt weist in jedem Hörer jeweils ein Miniaturmikrofon auf, das Umgebungsgeräusche (wie Verkehrs- und Flughafenlärm) aufnimmt und ein Ton-Löschsignal erzeugt, durch das störende Geräusche unterdrückt werden.

- Die Geräuschunterdrückungsfunktion des Produkts spricht hauptsächlich auf Geräusche um 300 Hz oder darunter an und wirkt daher nicht auf Geräusche oberhalb dieser Frequenz (wie Klingeltöne und Stimmen).
- Die Wirkung der Geräuschunterdrückungsfunktion kann begrenzt sein, wenn sie an leisen Orten oder zur Unterdrückung bestimmter Geräusche verwendet wird.



# Sicherheitsvorkehrungen

## Vorsicht

Lesen Sie diese Vorsichtshinweise, bevor Sie das Produkt verwenden.

Beachten Sie zu Ihrer Sicherheit alle Vorsichtshinweise, wenn Sie das Produkt verwenden.

- Wenn das Produkt beim Lenken eines Fahrzeugs verwendet werden soll, beachten Sie die betreffenden Gesetze zum Gebrauch von Mobiltelefonen und Kopfhörern.
- Benutzen Sie das Produkt nicht in Orten, wo die Nichtwahrnehmung von Umgebungsgeräuschen eine ernste Gefahr darstellt (beispielsweise an Bahnübergängen, in Bahnhöfen und an Baustellen).
- Benutzen Sie die Kopfhörer niemals mit zu hoher Lautstärke, um Gehörschäden zu vermeiden. Werden die Ohren längere Zeit einem hohen Schallpegel ausgesetzt, kann dies zu zeitweiligem oder permanentem Hörverlust führen.
- Sollte der direkte Kontakt mit dem Produkt Hautreizungen verursachen, stellen Sie den Gebrauch unverzüglich ein.
- Stellen Sie den Gebrauch sofort ein, wenn Ihnen bei der Verwendung des Produkts unwohl wird.
- Das Produkt darf nicht zerlegt oder abgeändert werden. Versuchen Sie auch nicht, es selbst zu reparieren.
- Seien Sie vorsichtig, damit Sie sich nicht zwischen Gehäuse und Arm des Produkts einklemmen.
- Um Kompatibilität und korrekten Gebrauch zu gewährleisten, schlagen Sie vor dem Anschließen des Produkts stets in der Bedienungsanleitung des anderen Geräts nach.
- Audio-Technica haftet in keinster Weise für den unwahrscheinlichen Fall irgendwelcher Datenverluste, die in Zusammenhang mit der Benutzung dieses Produktes entstehen.
- Halten Sie die Lautstärke in öffentlichen Verkehrsmitteln oder an anderen öffentlichen Orten niedrig, um andere Personen nicht zu stören.
- Stellen Sie die Lautstärke an Ihrem Audiogerät auf Minimum, bevor Sie den Kopfhörer anschließen, um Gehörschäden durch plötzliche Einwirkung übermäßiger Lautstärke zu vermeiden.
- Wenn Sie dieses Produkt in einer trockenen Umgebung benutzen, verspüren Sie möglicherweise ein Kribbeln in Ihren Ohren. Dies wird durch die in Ihrem Körper angesammelte statische Elektrizität verursacht, und nicht durch eine Funktionsstörung des Produkts.
- Setzen Sie das Produkt keinen starken Erschütterungen aus, um einen elektrischen Schlag, Funktionsstörungen oder einen Brand zu vermeiden.
- Handhaben Sie das Produkt nicht mit nassen Händen, um einen elektrischen Schlag oder Funktionsstörungen zu vermeiden.
- Sollten irgendwelche Störungen wie Geräusch-, Rauch-, Geruchs- oder Wärmeentwicklung oder eine Beschädigung am Produkt auftreten, trennen Sie das Produkt vom anderen Gerät. Wenden Sie sich in diesem Fall an Ihren örtlichen Audio-Technica-Händler.
- Achten Sie darauf, dass keine Fremdkörper wie brennbare Materialien, Metallgegenstände oder Flüssigkeiten in das Produkt gelangen.
- Decken Sie das Produkt beim Gebrauch oder beim Aufladen nicht mit einem Tuch ab.
- Bewahren Sie das Produkt nicht in direktem Sonnenlicht, in der Nähe eines Heizkörpers oder an einem heißen, feuchten oder staubigen Ort auf. Lassen Sie das Produkt nicht nass werden.
- Nach langem Gebrauch kann das Produkt Verfärbungen durch ultraviolettes Licht (insbesondere bei direktem Sonnenlicht) und Verschleiß aufweisen.
- Das mitgelieferte Kabel kann sich verheddern oder reißen, wenn das Produkt ohne angemessenen Schutz in einem Beutel oder einer Tasche mitgeführt wird. Bewahren Sie das Produkt stets in der mitgelieferten Tasche auf.
- Fassen Sie beim Anschließen/Abziehen des mitgelieferten Kabels den Stecker. Direktes Ziehen am mitgelieferten Kabel kann zu einem Bruch der Ader und zu einem elektrischen Schlag führen.
- Wickeln Sie das mitgelieferte Kabel nicht um ihr Audiogerät. Dadurch könnte das mitgelieferte Kabel beschädigt werden oder abreißen.
- Das Produkt kann nicht mit gewissen tragbaren Audio-Playern oder anderen Geräten mit Digitalverstärker verwendet werden.
- Der mitgelieferte Flugzeugadapter ist mit manchen Systemen in Flugzeugen möglicherweise nicht kompatibel.
- Sehen Sie von einer Verwendung des Produkts ab, wenn der Gebrauch von elektronischen Geräten im Flugzeug untersagt ist oder keine eigenen Kopfhörer zum Hören des im Flugzeug angebotenen Audioprogramms verwendet werden dürfen.
- Wenn das Produkt an ein Gerät angeschlossen werden soll, das nicht über eine 3,5 mm Stereo-Kopfhörerbuchse verfügt, beschaffen Sie sich einen geeigneten Adapterstecker.
- Ein Verlängerungskabel für das Produkt ist separat erhältlich.

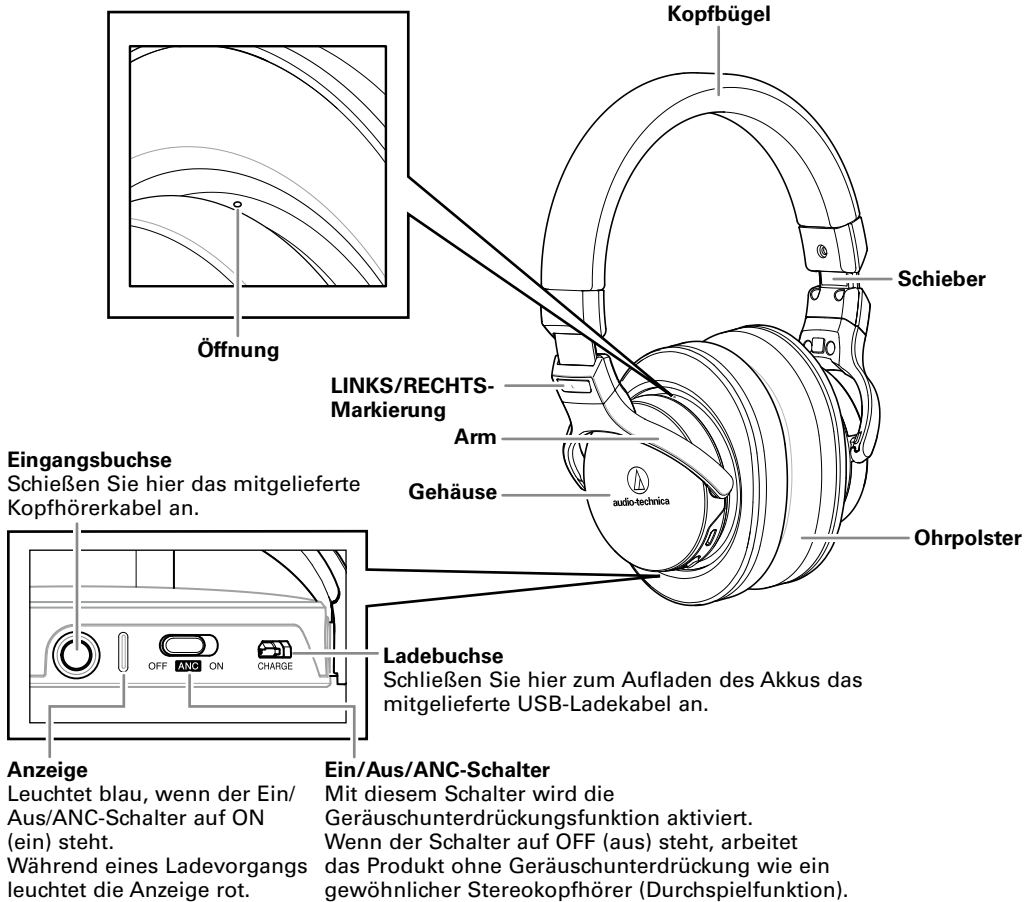
# Sicherheitsvorkehrungen

## Vorsichtshinweise für den Akku

Das Produkt ist mit einem Akku (Lithium-Polymer-Batterie) ausgestattet.

- Sollte Batterieflüssigkeit in die Augen geraten, diese nicht reiben. Spülen Sie die Augen ausgiebig mit sauberem Wasser wie Leitungswasser und ziehen Sie sofort einen Arzt hinzu.
- Sollte Batterieflüssigkeit auslaufen, berühren Sie diese nicht mit den bloßen Händen. Im Produkt verbleibende Flüssigkeit kann Funktionsstörungen verursachen. Wenn Batterieflüssigkeit ausläuft, wenden Sie sich an Ihren örtlichen Audio-Technica-Händler.
  - Sollte Flüssigkeit in den Mund geraten, spülen und gurgeln Sie ausgiebig mit sauberem Wasser wie Leitungswasser und ziehen Sie sofort einen Arzt hinzu.
  - Wenn Flüssigkeit auf die Haut oder ein Kleidungsstück gerät, waschen Sie die betroffene Stelle sofort mit Wasser. Sollte sich eine Hautreizung einstellen, suchen Sie einen Arzt auf.
- Der Akku darf nicht erhitzt, zerlegt, abgeändert oder durch Verbrennen entsorgt werden.
- Versuchen Sie nicht, mit einem Nagel ein Loch in den Akku zu bohren, schlagen Sie nicht mit einem Hammer auf den Akku und treten Sie auch nicht darauf, um eine Wärmeentwicklung, Beschädigung oder Entzündung zu vermeiden.
- Lassen Sie das Produkt nicht fallen und schützen Sie es vor starken Stößen und Schlägen, um ein Auslaufen, eine Wärmeentwicklung oder ein Bersten zu vermeiden.
- Lassen Sie dem Akku nicht nass werden, um eine Wärmeentwicklung, ein Bersten oder eine Entzündung zu vermeiden.
- Der Akku darf nicht an einem der nachstehenden Orte verwendet, aufbewahrt oder gelagert werden:
  - Orte, die direktem Sonnenlicht oder hohen Temperatur- und Feuchtigkeitswerten ausgesetzt sind
  - In einem in der prallen Sonne geparkten Fahrzeug
  - In der Nähe von Wärmequellen wie Heizkörpern
- Laden Sie das Produkt ausschließlich mit dem im Lieferumfang enthaltenen USB-Kabel, um eine Funktionsstörung oder einen Brand zu vermeiden.
- Vergessen Sie nicht, das Produkt nach Gebrauch auszuschalten. Ein Auslaufen beruht oft auf Batterieentladung bei nicht ausgeschaltetem Produkt.
- Der integrierte Akkus sollte vorsichtshalber alle sechs Monate einmal frisch geladen werden. Wenn der Akku zu lange ungeladen bleibt, kann seine Betriebsdauer sich verkürzen oder ein Laden unmöglich werden.
- Da das Produktdesign für eine stabile Geräuschunterdrückungswirkung optimiert ist, lässt seine Konstruktion einen Austausch des Akkus nach dem Kauf nicht zu. Der Akku hat möglicherweise das Ende seiner Lebensdauer erreicht, wenn die Nutzungsdauer nach einer Völladung des Akkus merklich kürzer wird oder der Ladevorgang auch nach 4 Stunden Dauerladen nicht abgeschlossen wird. Wenden Sie sich in diesem Fall an Ihren örtlichen Audio-Technica-Händler.

# Teilebezeichnungen und Funktionen



## Mitgeliefertes Zubehör



- Abnehmbares, 1,2 m langes Kopfhörerkabel mit 3,5 mm vergoldeten Stereo-Ministeckern



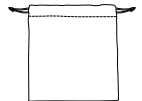
- Abnehmbares, 1,2 m langes Kopfhörerkabel für Smartphones mit Inline-Controller/ Mikrofon und 3,5 mm vergoldeten Stereo-Minsteckern



- Flugzeugadapter



- USB-Ladekabel



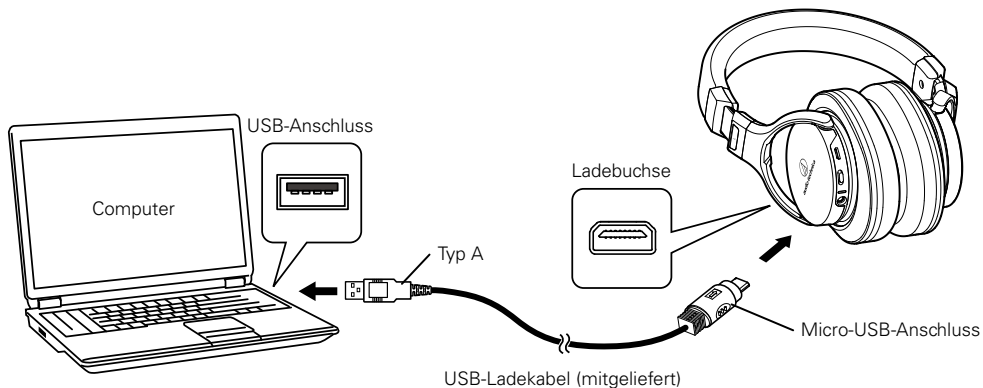
- Tasche

\* Buchsen in Flugzeugen können vom standardmäßigen 3,5 mm Eingang abweichen. Verwenden Sie bei Bedarf den mitgelieferten Flugzeugadapter.

# Gebrauch der Kopfhörer

## Laden des Akkus

- Laden Sie den Akku vor dem ersten Gebrauch vollständig auf.
- Es dauert etwa 4 Stunden, bis der Akku vollständig geladen ist. (Die Zeit variiert je nach Akkuzustand.)



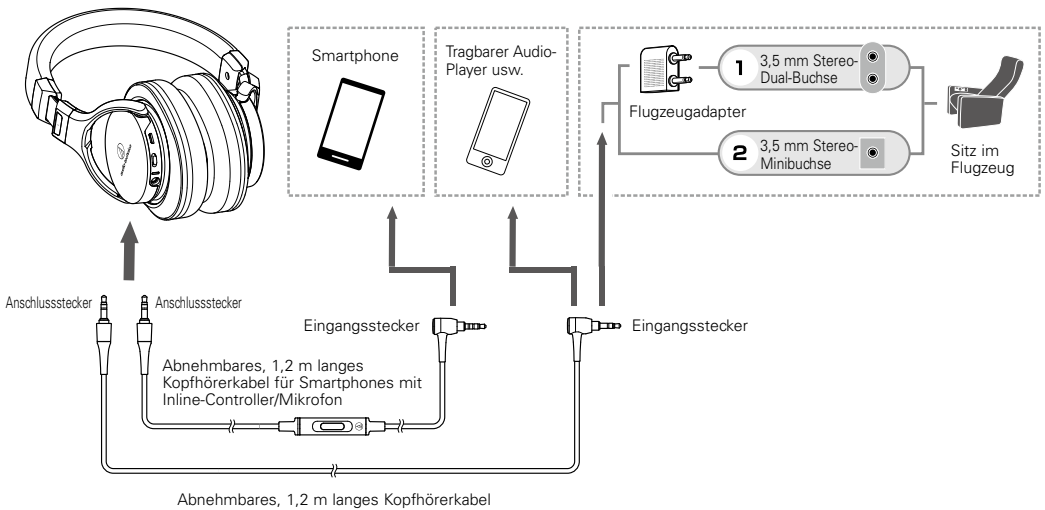
- 1 Schließen Sie das mitgelieferte USB-Ladekabel (Ende mit Micro-USB-Anschlussstecker) an die Ladebuchse der Kopfhörer an.
  - \* Das zum Lieferumfang gehörende USB-Ladekabel ist speziell zum Laden des Produkts vorgesehen. Eine Datenübertragung an und von einem Computer ist nicht möglich.
- 2 Schließen Sie das mitgelieferte USB-Ladekabel (Ende mit Typ-A-Stecker) an einen Computer an, um den Ladevorgang zu starten.
- 3 Die Anzeige leuchtet/blinkt während des Ladevorgangs wie folgt:

Anzeige	Ladezustand
Leuchtet rot	Laden
Aus	Beendet
Blinkt rot	Fehler*

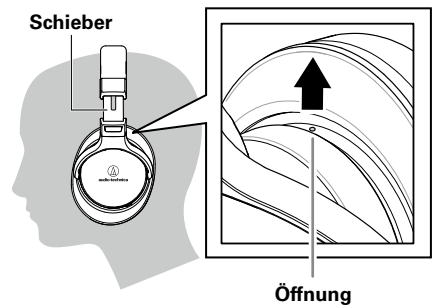
\* Sollte ein Ladefehler auftreten, trennen Sie das Produkt von Ihrem Gerät und wenden sich an Ihren Audio-Technica-Händler.

# Gebrauch der Kopfhörer

## Anschluss



- Wählen Sie das zu verwendende Kabel und verbinden Sie den Anschlusstecker des Kabels mit der Eingangsbuchse der Kopfhörer.
    - \* Identifizieren Sie vor Gebrauch der abnehmbaren Kabel den „Anschlusstecker“ und den „Eingangsstecker“.
  - Stellen Sie die Lautstärke an jedem Audiogerät auf Minimum und schließen Sie dann den „Eingangsstecker“ an den Kopfhöreranschluss an.
    - \* Der im Lieferumfang enthaltene Flugzeugadapter ermöglicht den Anschluss an ein standardmäßiges Flugzeug-Audiosystem.
  - Stellen Sie den Ein/Aus/ANC-Schalter des Produkts auf ON (ein) und setzen Sie den Kopfhörer so auf, dass die Ohrpolster den Markierungen „L“ (linkes Ohr) und „R“ (rechtes Ohr) entsprechend ausgerichtet sind, wobei Sie die Kopfhörerlänge wie in der Abbildung veranschaulicht mit dem Verstellchieber einstellen.
    - \* Setzen Sie das Produkt mit den Öffnungen nach obenweisend auf, damit eine stabile Geräuschunterdrückungswirkung erzielt wird.
- \* Vergewissern Sie sich, dass die Anzeige leuchtet.

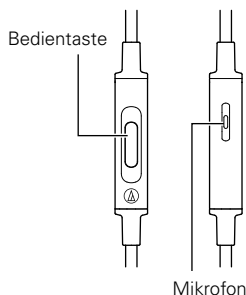


Die Anzeige leuchtet	Zustand
Blau	Der Ein/Aus/ANC-Schalter steht auf ON (ein)
Rot	Laden
Lila	Der Ein/Aus/ANC-Schalter steht auf ON (ein), und der Akku wird geladen

## Gebrauch der Kopfhörer

- Schalten Sie Ihr Audiogerät ein und stellen Sie die Lautstärke passend ein.
  - \* Lesen Sie auch die Bedienungsanleitung des Audiogeräts.
- Stellen Sie den Ein/Aus/ANC-Schalter nach Gebrauch der Kopfhörer unbedingt wieder auf OFF (aus) und trennen Sie das 1,2 m lange Kopfhörerkabel von den Kopfhörern und dem Audiogerät bzw. Smartphone ab.
  - Zur Geräuschunterdrückung ohne Audiowiedergabe ist Anschließen des Kopfhörerkabels nicht erforderlich.
  - Das Produkt verfügt über eine Durchspielfunktion, dank der es auch dann als Stereokopfhörer zum Hören der Musik eines tragbaren Geräts verwendet werden kann, wenn der Akku entladen ist (Durchspielfunktion).
  - Zur Optimierung der Wiedergabeeigenschaften des Produkts ist sein Ton außen gut hörbar. Halten Sie die Lautstärke in öffentlichen Verkehrsmitteln oder an anderen öffentlichen Orten niedrig, um andere Personen nicht zu stören.

### Verwendung des Kopfhörerkabels für Smartphones



Wiedergabe/Pause bei Musik/ Filmen Beantworten/Beenden von Anrufen	Drücken Sie die Bedientaste einmal.
--	-------------------------------------

- \* Manche Smartphones bieten keine Unterstützung der Wiedergabe- und Pause-Funktionalität bei Musik-/Filmdateien.
- \* Audio-Technica bietet keinen Support zum Gebrauch von Smartphones.

## Reinigung

Machen Sie es sich zur Gewohnheit, die Kopfhörer regelmäßig zu säubern, damit Sie lange Zeit Freude an ihnen haben. Verwenden Sie zum Reinigen keine scharfen Reinigungsmittel wie Alkohol, Farbverdünner oder andere Lösungsmittel.

- Wischen Sie die Haupteinheit mit einem trockenen Tuch ab, um die Kopfhörer/Fernbedienung mit Mikrofon zu säubern.
- Wischen Sie nach Gebrauch die Kabel mit einem trockenen Tuch ab, wenn sie Schweiß- oder Schmutzspuren aufweisen. Die fortgesetzte Verwendung eines nicht sauberen Kabels schadet seinem Material und kann es hart werden lassen, was Funktionsstörungen des Produkts zur Folge haben kann.
- Wischen Sie Schmutz mit einem trockenen Tuch von Kabeln und Steckern ab. Schmutz an Steckern kann Tonaussetzer oder Verzerrungen verursachen.
- Wischen Sie die Ohrpolster und den Kopfbügel zum Säubern mit einem trockenen Tuch ab. Trocknende Schweiß- oder Wasserrückstände an den Ohrpolstern oder am Kopfbügel können ein Ausbleichen verursachen. Sollten die Ohrpolster oder der Kopfbügel nass werden, empfehlen wir, sie mit einem trockenen Tuch abzuwischen und im Schatten trocknen zu lassen.
- Zur längeren Lagerung bewahren Sie das Produkt an einem gut belüfteten Platz auf, wo es vor hoher Temperatur und Luftfeuchtigkeit geschützt ist.
- Ohrpolster weisen mit der Zeit aufgrund des Gebrauchs bzw. ihrer Lagerung Verschleißspuren auf. Ersetzen Sie sie bei Bedarf durch neue. Für Einzelheiten zum Austausch von Ohrpolster und anderen Teilen sowie Informationen über andere zu wartende Teile wenden Sie sich an Ihren Audio-Technica-Händler.

## Fehlersuche

Problem	Abhilfe
Umgebungsgeräusch wird nicht verringert.	<ul style="list-style-type: none"> <li>• Vergewissern Sie sich, dass die Anzeige leuchtet. Sollte die Betriebsanzeige auch dann nicht leuchten, wenn der Ein/Aus/ANC-Schalter auf ON (ein) steht, laden Sie den Akku.</li> <li>• Korrigieren Sie die Kopfhörerposition. Möglicherweise sitzen die Kopfhörer nicht richtig über den Ohren.</li> <li>• Die Umgebungsgeräusche sind möglicherweise nicht mit der Geräuschunterdrückungsfrequenz synchronisiert.</li> </ul>
Das Produkt erzeugt ein rumpelndes Geräusch.	<ul style="list-style-type: none"> <li>• Ein solches Geräusch kann beim Anschluss an gewisse Geräte wie tragbare Audio-Player mit Digitalverstärker entstehen.</li> <li>• Wenn das Produkt in einem Auto, Bus usw. verwendet wird, können je nach Straßenzustand Geräusche auftreten.</li> </ul>
Es wird ein heulendes Geräusch erzeugt.	<ul style="list-style-type: none"> <li>• Korrigieren Sie die Kopfhörerposition. Möglicherweise sitzen die Kopfhörer nicht richtig über den Ohren.</li> <li>• Vermeiden Sie ein Berühren der Öffnung im Gehäuse. Wenn die Öffnung im Gehäuse berührt oder verdeckt wird, kann ein heulendes Geräusch auftreten.</li> </ul>
Der Klang ist verzerrt.	<ul style="list-style-type: none"> <li>• Verringern Sie die Lautstärke am Audio-/Videogerät.</li> <li>• Laden Sie das Produkt.</li> </ul>
Es tritt ein Summen und Flattern im Ton auf.	<ul style="list-style-type: none"> <li>• Das Produkt nimmt möglicherweise Störungen von Mobiltelefonen oder Computerperipherien in der Nähe auf. Vergrößern Sie den Abstand zwischen dem Produkt und der Störquelle.</li> </ul>
Das Produkt kann nicht geladen werden.	<ul style="list-style-type: none"> <li>• Schließen Sie zum Aufladen das mitgelieferte USB-Ladekabel fest an.</li> </ul>

# Technische Daten

## Kopfhörerteil

Typ	Geschlossen, dynamisch
Treiber	45 mm
Ausgangsschalldruckpegel	97 dB/mW (PASSIV), 104 dB/mW (AKTIV)
Frequenzgang	5 bis 40.000 Hz
Impedanz	30 Ohm (PASSIV), 150 Ohm (AKTIV)
Eingangsbuchse	3,5 mm Stereo-Minibuchse
Stecker	3,5 mm vergoldeter Stereo-Minstecker, 3,5 mm vergoldeter Stereo-Minstecker (4-polig / L-förmig)

## Mikrofonteil (Kopfhörerkabel für Smartphones)

Typ	Elektret-Kondensator
Richtcharakteristik	Omnidirektional
Empfindlichkeit	-40 dB (1 V/Pa, bei 1 KHz)
Frequenzgang	50 bis 4.000 Hz

## Sonstiges

Stromquelle	Lithium-Polymer-Akku, DC 3,7 V
Ladezeit	Ca. 4 Stunden*
Betriebszeit	Ca. 30 Stunden
Gewicht	Ca. 305 g (ohne Kabel)
Betriebstemperatur	5°C bis 40°C
Mitgeliefertes Zubehör	Abnehmbares, 1,2 m langes Kopfhörerkabel mit 3,5 mm vergoldeten Stereo-Minsteckern Abnehmbares, 1,2 m langes Kopfhörerkabel für Smartphones mit Inline-Controller/Mikrofon und 3,5 mm vergoldeten Stereo-Minsteckern USB-Ladekabel Tasche Flugzeugadapter

\* Die obigen Angaben sind vom Betriebszustand abhängig.

(Änderungen an technischen Daten bleiben zum Zwecke der Produktverbesserung ohne vorherige Ankündigung vorbehalten.)



# Introduzione

---

Grazie per aver acquistato il prodotto.

Prima di utilizzare il prodotto, leggere attentamente questo manuale dell'utente per assicurarsi un uso corretto del prodotto. Inoltre, tenere il manuale a portata di mano per poterlo consultare facilmente in caso di necessità.

Il prodotto utilizza una tecnologia brevettata di riduzione del rumore attiva per fornire un ambiente di ascolto confortevole in aree con elevato rumore ambientale. Il prodotto è munito di un microfono di piccole dimensioni in ciascun auricolare che crea un segnale di cancellazione del suono dal rumore ambientale (come traffico, sistemi di alimentazione ad aria, ecc.) per interrompere il rumore in maniera efficace.

- La funzione di riduzione del rumore del prodotto serve principalmente a ridurre un rumore inferiore a 300 Hz, pertanto non ha quasi alcun effetto sul rumore che si trova al di sopra di questa frequenza (ad es. suonerie di cellulari e voci).
- Le prestazioni della funzione di riduzione del rumore possono ridursi quando si utilizza in luoghi tranquilli o se si desidera annullare determinati tipi di rumore.

## Precauzioni di sicurezza

### Attenzione

Leggere attentamente queste istruzioni prima di utilizzare il prodotto.

Per garantire la sicurezza, osservare tutte le avvertenze e precauzioni durante l'utilizzo di questo prodotto.

- Seguire le leggi in vigore relative all'utilizzo dei telefoni mobili e delle cuffie se si utilizza il prodotto durante la guida.
- Non utilizzare il prodotto in luoghi in cui l'impossibilità di udire i suoni ambientali rappresenti un serio rischio (ad esempio quando ci si trova in un attraversamento ferroviario, stazioni ferroviarie o cantieri edili).
- Per evitare danni all'udito, non alzare eccessivamente il volume. L'ascolto di suoni troppo alti per un periodo prolungato potrebbe causare una perdita dell'udito temporanea o permanente.
- Interrompere l'uso se insorgono irritazioni cutanee dovute al contatto diretto con il prodotto.
- Interrompere immediatamente l'utilizzo del prodotto in caso di malessere.
- Non smontare, modificare o tentare di riparare il prodotto.
- Prestare attenzione per evitare di pizzicarsi tra telaio e il braccio del prodotto.
- Per garantire la compatibilità e l'utilizzo corretto, consultare sempre il manuale dell'utente di qualsiasi dispositivo prima di collegarvi il prodotto.
- Audio-Technica non sarà responsabile in alcun modo di eventuali perdite di dati, nell'improbabile caso in cui queste ultime si verifichino durante l'utilizzo del prodotto.
- Sui trasporti pubblici o in altri luoghi pubblici, tenere il volume basso per evitare di disturbare gli altri.
- Abbassare al minimo il volume del dispositivo audio prima di collegare il prodotto per evitare danni all'udito dovuti a un'improvvisa esposizione al volume eccessivo.
- Quando si utilizza il prodotto in ambiente secco, si potrebbe avvertire un formicolio alle orecchie. Ciò è dovuto all'elettricità statica accumulata sul corpo, non a un malfunzionamento del prodotto.
- Evitare di esporre il prodotto a forti urti che potrebbero causare scariche elettriche, malfunzionamenti e incendi.
- Non manipolare il prodotto con le mani bagnate, in quanto sussiste il rischio di scosse elettriche o malfunzionamenti.
- Scollegare il prodotto dal dispositivo se si verificano malfunzionamenti quali rumore, fumo, odori, calore o danni con il prodotto. In tal caso, contattare il rivenditore autorizzato Audio-Technica locale.
- Non collocare all'interno del prodotto corpi estranei quali materiali combustibili, metalli o liquidi.
- Non coprire il prodotto con un panno durante l'uso o mentre è in carica.
- Non conservare il prodotto alla luce diretta del sole, in prossimità di dispositivo di riscaldamento o in ambienti caldi, umidi o polverosi. Evitare di bagnare il prodotto.
- Quando il prodotto viene utilizzato per un periodo prolungato, può scolorirsi a causa della luce ultravioletta (soprattutto alla luce diretta del sole) o dell'usura.
- Il cavo incluso potrebbe impigliarsi o rompersi se il prodotto viene collocato in una borsa o tasca senza adeguata protezione. Conservare il prodotto nella sacca inclusa.
- Collegare/scollegare il cavo incluso tenendo lo spinotto. Tirando direttamente il cavo incluso si rischia di rompere il filo e di subire scosse elettriche.
- Non avvolgere il cavo incluso attorno al dispositivo audio. In caso contrario, si rischia di danneggiare o rompere il cavo incluso.
- Il prodotto potrebbe essere utilizzato con alcuni lettori audio portatili o altri dispositivi muniti di amplificatore digitale.
- L'adattatore per aereo incluso potrebbe non essere compatibile con determinati tipi di dispositivi aerei.
- Non utilizzare il prodotto quando sull'aereo è proibito l'uso di dispositivi elettronici o l'uso di cuffie personali con il servizio audio dell'aeroplano.
- Assicurarsi di acquistare l'adattatore spinotto di conversione appropriato quando si collega il prodotto a un dispositivo munito di un apparecchio diverso da un jack per cuffie stereo da 3,5 mm.
- Una prolunga per il prodotto è venduta separatamente.

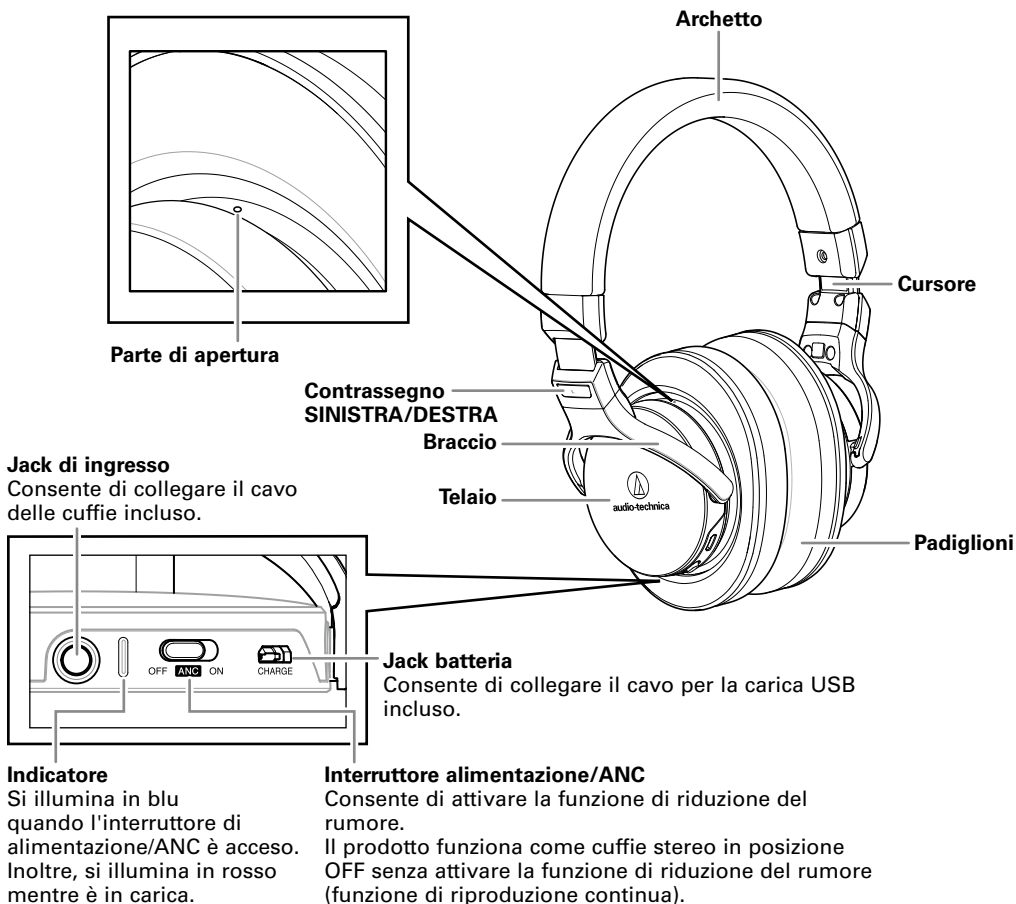
## Precauzioni di sicurezza

### Precauzioni per la batteria ricaricabile

Il prodotto è munito di una batteria ricaricabile (batteria ai polimeri di litio).

- Se il fluido della batteria penetra negli occhi, non sfregarli. Sciacquare accuratamente con acqua pulita, ad esempio acqua corrente, e consultare immediatamente un medico.
- Se il fluido della batteria fuoriesce, non toccarlo a mani nude. Se il fluido resta all'interno del prodotto, potrebbe causare malfunzionamenti. Se il fluido della batteria fuoriesce, contattare il rivenditore Audio-Technica locale autorizzato.
  - Se il fluido penetra in bocca, fare dei gargarismi con acqua pulita, ad esempio acqua corrente, e consultare immediatamente un medico.
  - Se la pelle o gli indumenti entrano in contatto con il fluido, lavare immediatamente le parti interessate con acqua. Se insorge un'irritazione cutanea, consultare un medico.
- Non scaldare, smontare o modificare la batteria, né smaltirla nel fuoco.
- Non tentare di forare con le unghie, colpire con un martello o calpestare la batteria per evitare generazione di calore, danni o ignizione.
- Non far cadere il prodotto né sottoporlo a forti impatti per evitare perdite, generazione di calore o esplosioni.
- Non bagnare la batteria per evitare la generazione di calore, esplosioni o ignizione.
- Non utilizzare, lasciare o conservare la batteria nei seguenti luoghi:
  - Ambiente esposto alla luce diretta del sole o a temperature elevate e umidità
  - Interni di un'automobile sotto il sole cocente
  - In prossimità di fonti di calore quali diffusori d'aria calda
- Caricare solo con il cavo USB incluso per evitare malfunzionamenti o incendi.
- Assicurarsi di spegnere il prodotto dopo averlo utilizzato. Le perdite spesso si verificano a causa dell'esaurimento batteria conseguente a un mancato spegnimento del prodotto.
- Per proteggere la batteria ricaricabile incorporata, ricaricarla almeno una volta ogni sei mesi. Se tale operazione non avviene per periodi prolungati, la durata della batteria ricaricabile sarà inferiore o la batteria può non ricaricarsi affatto.
- Poiché questo prodotto è progettato per fornire prestazioni stabili per la cancellazione del rumore, la sua struttura non consente la sostituzione della batteria ricaricabile dopo l'acquisto. La batteria potrebbe avere raggiunto la fine della sua durata utile se il tempo di utilizzo diventa minore anche se la batteria è completamente carica, oppure se la carica non è ancora completa dopo più di 4 ore di carica continua. In questo caso, contattare il rivenditore autorizzato Audio-Technica locale.

# Nomi e funzioni dei componenti



## Accessori inclusi



- Cavo per cuffie staccabile di 1,2 m con mini-spinotti stereo dorati da 3,5 mm



- Cavo per cuffie staccabile di 1,2 m per smartphone con controller integrato/ unità microfono e mini-spinotti stereo dorati da 3,5 mm



- Adattatore per aereo



- Cavo per la carica USB



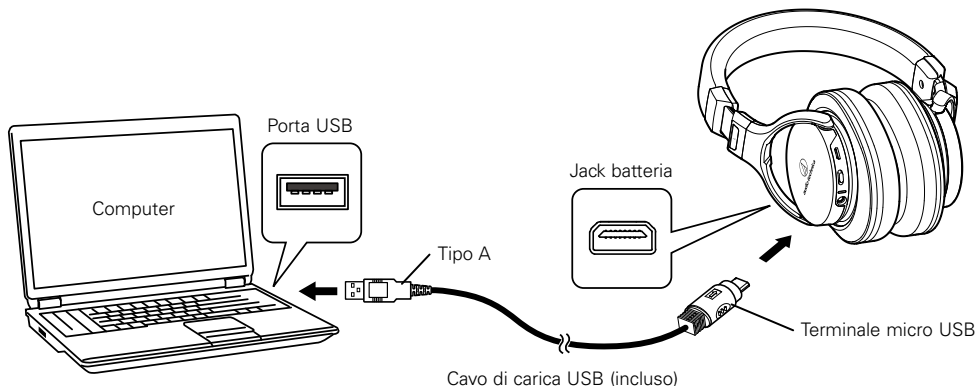
- Sacca

\* Il jack sull'apparecchio per aereo può essere diverso dall'ingresso standard da 3,5 mm. Utilizzare un adattatore per aereo incluso, se necessario.

## Utilizzo delle cuffie

### Come caricare il dispositivo

- Caricare completamente la batteria quando si utilizza per la prima volta.
- Tale operazione richiede circa 4 ore e varia in base alle condizioni del servizio.



1 Collegare il cavo per la carica USB incluso (il lato terminale micro USB) al jack batteria delle cuffie.

\* Il cavo per la carica USB incluso è realizzato appositamente per caricare il prodotto. I dati non possono essere trasferiti a e da un computer.

2 Collegare il cavo per la carica USB incluso (lato tipo A) al computer e iniziare la carica.

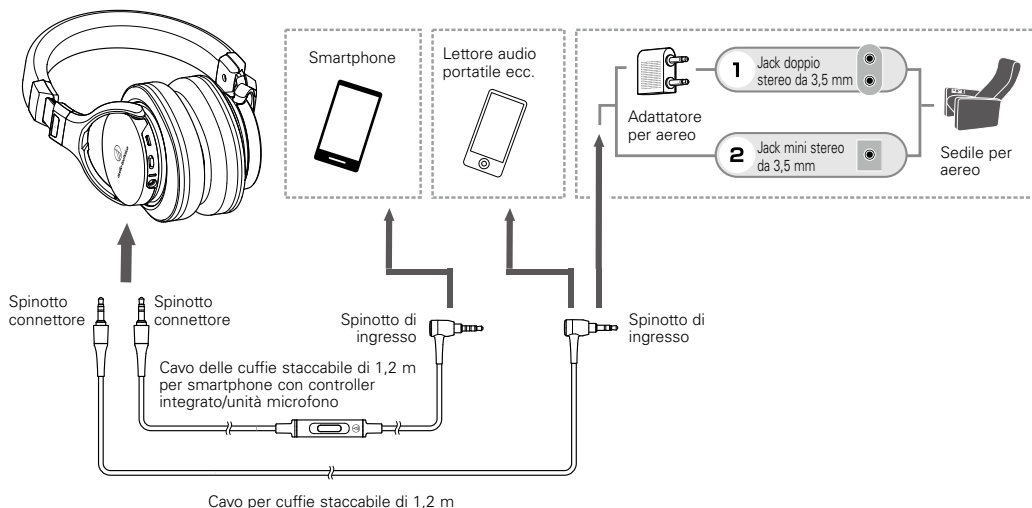
3 Durante la carica, l'indicatore si accende/lampeggia come indicato di seguito:

Indicatore	Condizione di carica
Si illumina in rosso	In carica
Off	Completa
Lampeggia in rosso	Errore*

\* In caso di errore di carica, scollegare il prodotto dal dispositivo e contattare il distributore Audio-Technica.

# Utilizzo delle cuffie

## Come collegarlo



1 Selezionare il cavo da utilizzare e collegare lo spinotto del connettore del cavo al jack di ingresso delle cuffie.

\* Prima di utilizzare i cavi scollegabili, identificare lo "spinotto connettore" e lo "spinotto di ingresso".

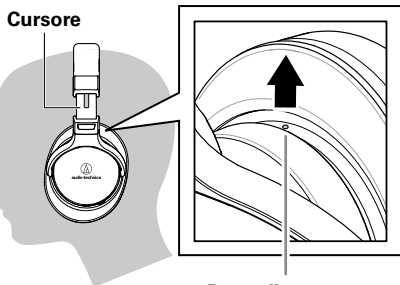
2 Abbassare al minimo il volume di ciascun dispositivo audio, quindi collegare lo "spinotto di ingresso" al terminale delle cuffie.

\* Utilizzare l'adattatore per aereo per collegare l'apparecchio ai sistemi audio per aereo standard.

3 Spostare l'interruttore di alimentazione/ANC, portare il prodotto alla posizione ON, quindi adattare i padiglioni alle orecchie col lato contrassegnato da "L" sull'orecchio sinistro e "R" su quello destro, adattando la lunghezza della fascia facendo scivolare il cursore regolabile come mostrato in figura.

\* Posizionare il prodotto sulla testa con la parte di apertura rivolta verso l'alto, in modo che il prodotto possa fornire prestazioni stabili di cancellazione del rumore.

\* Verificare che l'indicatore sia acceso.



L'indicatore si accende	Condizione
Blu	L'interruttore di alimentazione/ANC è acceso
Rosso	In carica
Viola	L'interruttore di alimentatore/ANC è acceso e in carica

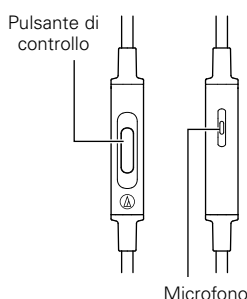
4 Accendere il dispositivo audio e regolare il volume come desiderato.

\* Leggere anche il manuale di istruzioni del dispositivo audio.

## Utilizzo delle cuffie

- 5 Al termine dell'utilizzo delle cuffie, assicurarsi di spostare l'interruttore di alimentazione/ANC in posizione OFF e scollegare il cavo delle cuffie da 1,2 m dalle cuffie e dal dispositivo audio o smartphone.
- Per la riduzione del rumore senza audio, non è necessario collegare il cavo delle cuffie.
  - Il prodotto dispone della funzione di riproduzione continua per fungere da cuffie stereo e riprodurre la musica da un dispositivo portatile anche se la batteria del prodotto si scarica (funzione di riproduzione continua).
  - La riproduzione dell'audio può essere ascoltata facilmente all'aperto per garantire le prestazioni di qualità del prodotto. Sui trasporti pubblici o in altri luoghi pubblici, tenere il volume basso per evitare di disturbare gli altri.

### Utilizzo del cavo delle cuffie per smartphone



Riproduzione/pausa per musica/film Risposta/chiusura chiamate	Premere una volta il pulsante di controllo.
--	---

- \* Alcuni smartphone non supportano la funzionalità di riproduzione e pausa per file musicali e film.
- \* Audio-Technica non fornisce assistenza per l'utilizzo degli smartphone.

## Pulizia

Pulire regolarmente le cuffie per garantirne una lunga durata. Non utilizzare alcool, diluenti o altri solventi per la pulizia.

- Strofinare l'unità principale con un panno asciutto per pulire le cuffie e il telecomando con il microfono.
- Strofinare i cavi con un panno asciutto dopo l'uso se sono presenti sudore o altre tracce di sporcizia. L'utilizzo continuo di un cavo sporco deteriora e indurisce il cavo, causando malfunzionamenti del prodotto.
- Strofinare gli spinotti sui cavi con un panno morbido, qualora siano sporchi. L'utilizzo di uno spinotto sporco può causare un suono intermittente o la distorsione dello stesso.
- Per pulire l'archetto e i padiglioni, strofinare con un panno asciutto. I padiglioni e l'archetto potrebbero scolorirsi nel caso in cui sugli stessi dovesse seccarsi sudore o acqua. Se i padiglioni e l'archetto si bagnano, strofinarli con un panno asciutto e farli asciugare all'ombra.
- Per conservarlo in buone condizioni e a lungo termine, tenere il prodotto in un luogo ben ventilato, senza umidità e non a temperature elevate.
- I padiglioni si deteriorano nel tempo a causa di uso e errata conservazione. Sostituirli quando necessario. Per informazioni sulla sostituzione dei padiglioni o di altre parti, oppure per informazioni relative ad altre parti riparabili, contattare il rivenditore autorizzato Audio-Technica locale.

## Risoluzione dei problemi

<b>Problema</b>	<b>Soluzione</b>
Il rumore ambientale non viene ridotto.	<ul style="list-style-type: none"><li>• Verificare che l'indicatore sia acceso. Caricare la batteria se l'indicatore non si illumina quando l'interruttore di alimentazione/ANC è acceso.</li><li>• Regolare la posizione delle cuffie. Le cuffie potrebbero essere posizionate sulle orecchie in maniera errata.</li><li>• Il rumore ambientale potrebbe non essere sincronizzato con la frequenza di riduzione del rumore.</li></ul>
Il prodotto genera un rumore rimbombante.	<ul style="list-style-type: none"><li>• Il collegamento ad alcuni dispositivi quali lettori audio portatili muniti di amplificatore digitale può causare rumore.</li><li>• L'utilizzo del prodotto in auto, bus, ecc. potrebbe causare rumore indipendentemente dalle condizioni della strada.</li></ul>
Viene generato un suono prolungato.	<ul style="list-style-type: none"><li>• Regolare la posizione delle cuffie. Le cuffie potrebbero essere posizionate sulle orecchie in maniera errata.</li><li>• Non toccare la parte dell'apertura nel telaio. Il tocco o l'apertura della parte aperta può causare un suono prolungato simile a una sirena.</li></ul>
Il suono è distorto.	<ul style="list-style-type: none"><li>• Abbassare il volume dell'apparecchio audio/video.</li><li>• Caricare il prodotto.</li></ul>
Si avvertono ronzii e tremolii.	<ul style="list-style-type: none"><li>• Il prodotto potrebbe captare rumori da telefoni cellulari o apparecchi correlati ai computer che si trovano nelle vicinanze. Allontanare l'apparecchio che genera il rumore dal prodotto.</li></ul>
Non è possibile caricare il prodotto.	<ul style="list-style-type: none"><li>• Collegare saldamente il cavo per la carica USB incluso e caricare il prodotto.</li></ul>



# Specifiche

## Componenti delle cuffie

Tipo	Dinamica chiusa
Driver	45 mm
Livello di pressione acustica in uscita	97 dB/mW (PASSIVO), 104 dB/mW (ATTIVO)
Risposta in frequenza	5 a 40.000 Hz
Impedenza	30 ohm (PASSIVO), 150 ohm (ATTIVO)
Jack di ingresso	Jack mini stereo da 3,5 mm
Spinotto	Mini-spinotto stereo dorato da 3,5 mm, mini-spinotto stereo dorato da 3,5 mm (a 4 poli / a forma di L)

## Componente del microfono (cavo delle cuffie per smartphone)

Tipo	Condensatore a elettrete
Schema polare	Omnidirezionale
Sensibilità	-40 dB (1 V/Pa, a 1 KHz)
Risposta in frequenza	50 a 4.000 Hz

## Altro

Fonte di alimentazione	Batteria ai polimeri di litio da 3,7 V CC
Tempo di carica	Circa 4 ore*
Tempo di funzionamento	Circa 30 ore
Peso	Circa 305 g (senza cavo)
Temperatura operativa	5°C a 40°C
Accessori inclusi	Cavo per cuffie staccabile di 1,2 m con mini-spinotti stereo dorati da 3,5 mm Cavo per cuffie staccabile di 1,2 m per smartphone con controller integrato/unità microfono e mini-spinotti stereo dorati da 3,5 mm Cavo per la carica USB Sacca Adattatore per aereo

\* Le cifre indicate sopra variano a seconda delle condizioni operative.

(per un miglioramento del prodotto, quest'ultimo è soggetto a modifiche senza preavviso).

# Introducción

---

Le agradecemos la compra de este producto.

Antes de utilizarlo, lea este manual de usuario para asegurarse de que lo utilizará correctamente. Asimismo, conserve este manual a mano para consultarlo fácilmente cuando le resulte necesario.

El producto utiliza una tecnología de cancelación de ruido activa propia para proporcionar un entorno de escucha cómodo en las zonas en las que el ruido ambiente es elevado. El producto incorpora un micrófono en miniatura en cada auricular que capta el ruido ambiente (como el del tráfico, los sistemas de aire acondicionado, etc.) y crea una señal con cancelación de sonido para bloquear el ruido de forma eficaz.

- La función de cancelación de ruido del producto actúa principalmente para reducir el ruido a 300 Hz o frecuencias inferiores, lo que supone que no tiene apenas efecto en los ruidos que presentan una frecuencia superior a esta (como los tonos de llamada de los teléfonos y las voces).
- La función de cancelación de ruido podría tener un efecto limitado cuando se usa en entornos silenciosos o para cancelar determinados tipos de ruido.

## Advertencia de seguridad

### Precaución

Lea estas precauciones antes de usar el producto.

Con el fin de garantizar la seguridad, respete todas las advertencias y precauciones mientras utiliza el producto.

- Siga la legislación aplicable al uso del teléfono móvil y los auriculares si utiliza el producto mientras conduce.
- No utilice el producto en entornos en los que la imposibilidad de escuchar el sonido ambiente genere un riesgo grave (como cruces ferroviarios, estaciones de tren y zonas en construcción).
- No escuche a volúmenes demasiado elevados, para evitar daños en su capacidad auditiva. Escuchar un sonido demasiado alto durante un período de tiempo prolongado podría provocar pérdidas de audición temporales o permanentes.
- Deje de usar el producto si sufre irritación cutánea debido al contacto directo con el mismo.
- Si no se siente bien durante el uso del producto, deje de usarlo.
- No desmonte, modifique ni intente reparar el producto.
- Evite los pellizcos provocados por la unión de la carcasa y el brazo del producto.
- Para garantizar la compatibilidad y el uso correcto, consulte siempre el manual de usuario del dispositivo que quiera conectar al producto.
- Audio-Technica se exime de toda la responsabilidad derivada de la pérdida de datos en el poco probable caso de que dichas pérdidas se produzcan durante el uso del producto.
- En los sistemas de transporte público y en otros lugares públicos, mantenga el volumen a un nivel bajo para no molestar al resto de personas.
- Minimice el volumen en su dispositivo de audio antes de conectar el producto, para evitar daños en su capacidad auditiva derivados de una exposición repentina a un volumen excesivo.
- Cuando utilice el producto en un entorno seco podría experimentar una sensación de hormigueo en las orejas. Esta sensación está provocada por la electricidad estática acumulada en su cuerpo, no por un fallo de funcionamiento del producto.
- No someta el producto a impactos fuertes, para evitar descargas eléctricas, fallos de funcionamiento o incendios.
- No manipule el producto con las manos mojadas, para evitar descargas eléctricas o fallos de funcionamiento.
- Desconecte el producto del dispositivo si detecta algún tipo de fallo de funcionamiento como ruido, humo, olores, calor o desperfectos en el producto. En tales casos, póngase en contacto con su distribuidor de Audio-Technica local.
- No introduzca sustancias extrañas, como materiales combustibles, objetos metálicos o líquidos, en el producto.
- No cubra el producto con un paño mientras lo utiliza o lo carga.
- No guarde el producto bajo la luz solar directa, cerca de dispositivos de calefacción o en lugares húmedos, en los que la temperatura sea elevada o en los que haya mucho polvo. No permita que el producto se moje.
- Cuando el producto se usa durante un periodo de tiempo prolongado, podría decolorarse debido a la luz ultravioleta (especialmente la luz solar directa) o el desgaste.
- El cable incluido podría quedar atrapado o sufrir desperfectos si el producto se coloca en una mochila o bolsillo sin la protección adecuada. Guarde el producto siempre en la bolsa incluida.
- Conecte y desconecte el cable incluido agarrando el conector. Tirar directamente del cable incluido puede provocar la rotura de los cables y generar el riesgo de descargas eléctricas.
- No enrolle el cable incluido alrededor del dispositivo de audio. Esto podría dañar el cable incluido o provocar desperfectos en el mismo.
- El producto no puede usarse con algunos reproductores de audio portátiles y otros dispositivos equipados con un amplificador digital.
- El adaptador para aviones incluido podría no ser compatible con determinados tipos de dispositivos de aviones.
- No utilice el producto cuando el uso de dispositivos electrónicos esté prohibido en el avión, o cuando el uso de auriculares personales con el servicio de audio del avión esté prohibido.
- Asegúrese de comprar el adaptador de conector de conversión cuando conecte el producto a un dispositivo equipado con una toma que no sea una toma de auriculares estéreo de 3,5 mm.
- Se vende por separado un cable prolongador para el producto.

# Advertencia de seguridad

## Precaución relativa a la batería recargable

Este producto está equipado con una batería recargable (batería de polímero de litio).

- Si el fluido de la batería entra en contacto con los ojos, no se los frote. Enjuáguelos abundantemente con agua limpia, como agua del grifo, y póngase en contacto con un médico inmediatamente.
- Si se producen fugas de fluido de la batería, no toque el fluido con las manos descubiertas. Si el fluido permanece en el interior del producto, pueden producirse fallos de funcionamiento. Si se produce una fuga del fluido de la batería, póngase en contacto con su distribuidor de Audio-Technica local.
  - Si el fluido entra en contacto con su boca, haga gárgaras abundantemente con agua limpia, como agua del grifo, y póngase en contacto con un médico inmediatamente.
  - Si su piel o la ropa entran en contacto con el fluido, lave inmediatamente la piel o la ropa afectadas con agua. Si sufre irritación cutánea, póngase en contacto con un médico.
- Nunca caliente, desmonte ni modifique la batería, ni tampoco la arroje al fuego.
- No intente perforar la batería con un clavo, no la golpee con un martillo ni la pise, para evitar la generación de calor, desperfectos o incendios.
- No arroje el producto ni lo someta a impactos fuertes para evitar fugas, generación de calor o explosiones.
- No humedezca la batería para evitar la generación de calor, explosiones o incendios.
- No utilice, coloque ni guarde la batería en los siguientes lugares:
  - Áreas expuestas a la luz solar directa o a altas temperaturas y humedad
  - En el interior de un coche, bajo el sol abrasador
  - Cerca de fuentes de calor como acumuladores de calor
- Cargar solo con el cable USB incluido para evitar fallos de funcionamiento o incendios.
- Asegúrese de apagar el producto después de usarlo. Las fugas suelen producirse por el consumo de la batería derivado de no apagar el producto.
- Para proteger la batería recargable, cárguela al menos una vez cada seis meses. Si deja transcurrir demasiado tiempo sin cargarla, la vida útil de la batería recargable se reducirá o podría no cargarse.
- Como el diseño de este producto está optimizado para ofrecer un rendimiento de cancelación de ruido estable, su estructura no permite la sustitución de la batería recargable integrada tras su compra. La batería podría haber alcanzado el final de su vida útil si el tiempo de uso se reduce incluso cuando la batería está totalmente cargada, o si la carga no se completa durante más de cuatro horas de carga continua. En tales casos, póngase en contacto con su distribuidor de Audio-Technica local.

## Para los clientes de los Estados Unidos

### Aviso de la FCC

#### Advertencia

Este dispositivo cumple con la sección 15 de las Reglas de la FCC. El funcionamiento está sujeto a las dos condiciones siguientes: (1) Este dispositivo no debe provocar interferencias perniciosas, y (2) este dispositivo debe aceptar todas las interferencias recibidas, incluidas aquellas que pudieran provocar un funcionamiento no deseado.

#### Precaución

Tenga en cuenta que los cambios o modificaciones no autorizados de forma expresa en este manual pueden anular la autorización de uso del equipo.

**Nota:** Este equipo ha sido sometido a pruebas y se ha constatado que cumple con los límites de un dispositivo de digital de Clase B según lo expuesto en la sección 15 de las Reglas de la FCC. Estos límites están diseñados para ofrecer una protección razonable contra las interferencias perniciosas en una instalación residencial. Este equipo genera, utiliza y puede irradiar energía de radiofrecuencia y, si no se instala y utiliza según las instrucciones, puede provocar interferencias perniciosas para las comunicaciones de radio. No obstante, no existe garantía de que no vayan a producirse interferencias en una instalación concreta. Si este equipo provoca interferencias perniciosas para la recepción de la señal de radio o televisión, situación que puede determinarse apagando y encendiendo el equipo, se recomienda al usuario que intente corregir la interferencia adoptando una o más de las siguientes medidas:

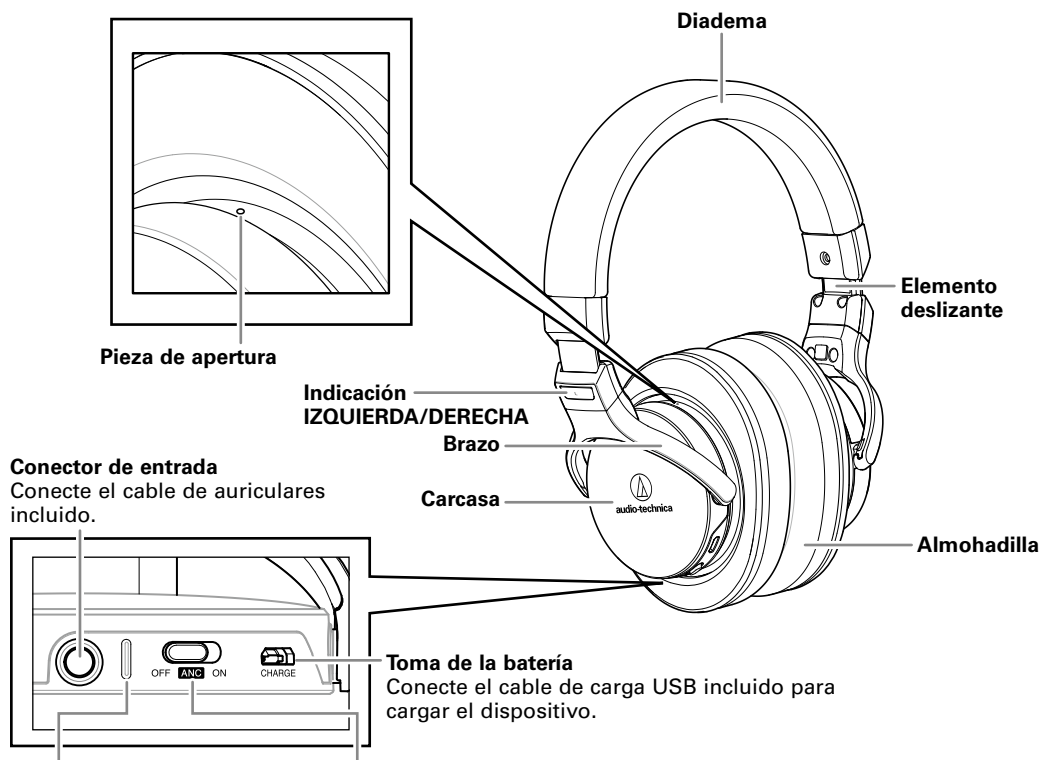
- Reorientar o reubicar la antena de recepción.
- Aumentar la separación entre el equipo y el receptor.
- Conectar el equipo a una toma de corriente de un circuito distinto al que está conectado el receptor.
- Solicitar ayuda al distribuidor o a un técnico de radio o televisión.

## Para clientes de Canadá

### Declaración del Ministerio de Industria

CAN ICES-3 (B)/NMB-3(B)

## Nombres de las piezas y funciones



### Indicador

Se ilumina en color azul cuando el interruptor principal/cancelación de ruido activa está encendido. También se ilumina en rojo durante el proceso de carga.

### Interruptor principal/cancelación de ruido activa

Actívelo para activar la función de cancelación de ruido. El producto actúa como auriculares estéreo en la posición de apagado sin la función de cancelación de ruido activa (función de preescucha).

### Accesorios incluidos



- Cable de auriculares de 1,2 m desmontable con miniconectores estéreo de 3,5 mm chapados en oro



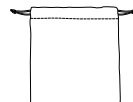
- Cable de auriculares de 1,2 m desmontable para smartphones con unidad de control/ micrófono integrada y miniconectores estéreo de 3,5 mm chapados en oro



- Adaptador para aviones



- Cable de carga USB



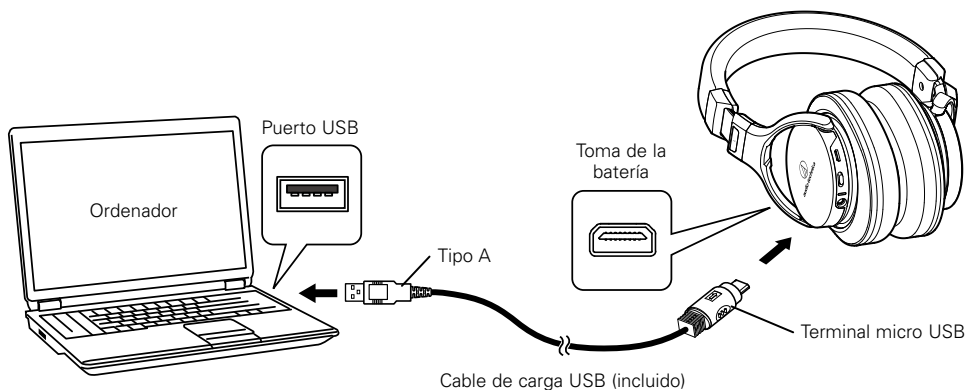
- Bolsa

\* El conector del equipo del avión podría ser diferente de la entrada de 3,5 mm estándar. Utilice el adaptador para aviones incluido cuando sea necesario.

# Utilizar los auriculares

## Cómo realizar la carga

- Cargue la batería por completo antes de usar los auriculares por primera vez.
- La batería tarda unas cuatro horas en cargarse por completo (varía en función de las condiciones de funcionamiento).



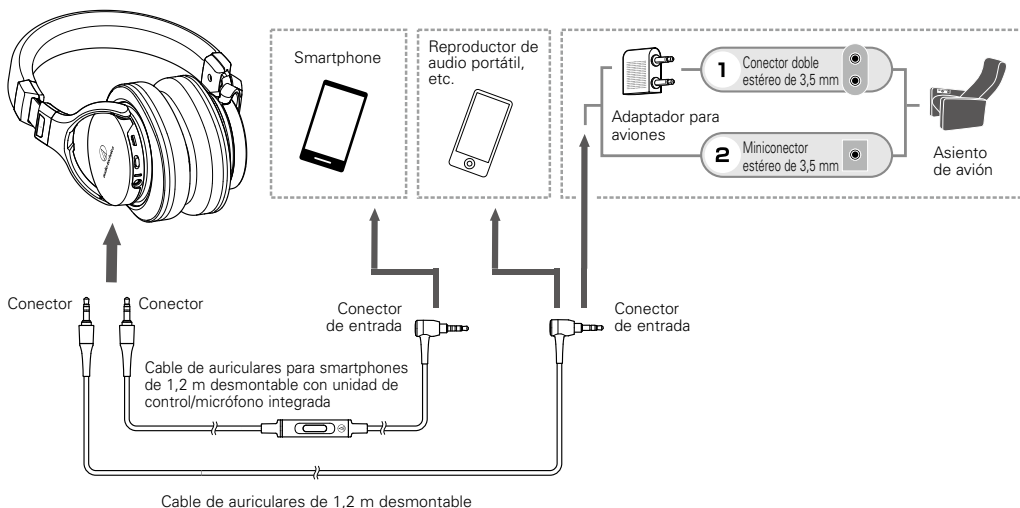
- 1 Conecte el cable de carga USB incluido (el extremo del terminal micro USB) a la toma de batería de los auriculares.
  - \* El cable de carga USB incluido está diseñado específicamente para cargar el producto. No se puede usar para transferir datos con el ordenador.
- 2 Conecte el cable de carga USB incluido (el extremo Tipo A) al ordenador e inicie el proceso de carga.
- 3 Durante la carga, el indicador se enciende o parpadea de la forma siguiente:

Indicador	Estado de carga
Se ilumina en color rojo	Carga
Apagado	Carga completada
Parpadea en rojo	Error*

\* En caso de producirse un error de carga, desconecte el producto del dispositivo y póngase en contacto con su distribuidor de Audio-Technica local.

# Utilizar los auriculares

## Cómo realizar la conexión



1 Seleccione el cable que desee usar y conecte el conector del cable al conector de entrada de los auriculares.

\* Antes de usar los cables desmontables, identifique el "conector" y el "conector de entrada".

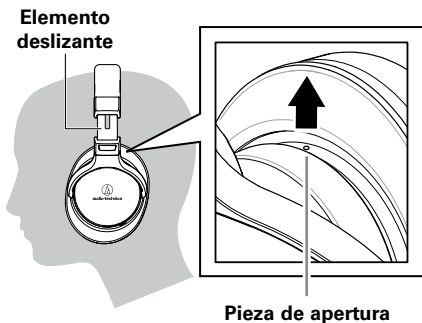
2 Minimice el volumen de cada dispositivo de sonido y, a continuación, conecte el "conector de entrada" al terminal de auriculares.

\* Utilice el adaptador para aviones incluido para conectar los auriculares a los sistemas de audio habituales de las líneas aéreas.

3 Coloque el interruptor principal/cancelación de ruido activa del producto en la posición de encendido, y coloque las almohadillas sobre sus orejas con el lado que presenta la marca "L" en la oreja izquierda y el lado que presenta la marca "R" en la oreja derecha, ajustando la longitud de la diadema desplazando el elemento deslizable ajustable como se indica en la ilustración.

\* Colóquese el producto en la cabeza con la parte de la abertura orientada hacia arriba, de forma que el producto pueda ofrecer un rendimiento de cancelación de ruido estable.

\* Asegúrese de que el indicador se encuentre encendido.

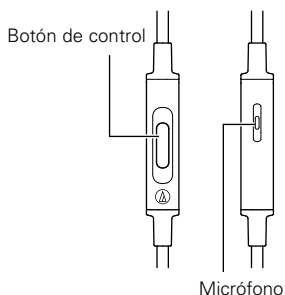


El indicador se enciende	Estado
Azul	Cuando el interruptor principal/cancelación de ruido activa está encendido
Rojo	Carga
Morado	El interruptor principal/cancelación de ruido activa está activado y cargando

## Utilizar los auriculares

- Encienda su dispositivo de audio y regule el volumen según sea necesario.
  - \* Lea también el manual de instrucciones del dispositivo de audio.
- Cuando haya terminado de usar los auriculares, no olvide colocar el interruptor principal/cancelación de ruido activa en la posición de apagado y desmontar el cable de auriculares de 1,2 m de los auriculares y del dispositivo o el smartphone.
  - Si desea utilizar la función de cancelación de ruido sin audio, no es necesario conectar el cable de auriculares.
  - El producto incluye una función de preescucha para actuar como auriculares estéreo y reproducir música desde un dispositivo portátil incluso si el producto se queda sin batería (función de preescucha).
  - La reproducción de sonido puede escucharse fácilmente en el exterior para garantizar la calidad del producto. En los sistemas de transporte público y en otros lugares públicos, mantenga el volumen a un nivel bajo para no molestar al resto de personas.

### Utilizar el cable de auriculares para smartphones



Reproducción y pausa de música o películas Responder o finalizar llamadas	Pulsar el botón de control una vez.
--	-------------------------------------

- \* Algunos smartphones no admiten la función de reproducción y pausa con los archivos de música y películas.
- \* Audio-Technica no ofrece asistencia técnica sobre cómo usar los smartphones.

## Limpieza

Adopte el hábito de limpiar sus auriculares de forma habitual para asegurarse de que tendrán una vida útil muy prolongada. No utilice alcohol, disolventes de pintura ni otros disolventes para realizar las tareas de limpieza.

- Limpie la unidad principal con un paño seco para limpiar los auriculares o el mando a distancia con micrófono.
- Limpie los cables con un paño suave después de usarlos si presentan sudor u otro tipo de suciedad. El uso continuo de un cable que no esté limpio deteriorará y endurecerá el cable, provocando fallos de funcionamiento del producto.
- Si los conectores del cable están sucios, límpielos con un paño suave. Utilizar el conector sin limpiarlo puede provocar saltos de sonido o distorsión.
- Limpie las almohadillas y la diadema con un paño seco. Las almohadillas y la diadema pueden perder intensidad si el sudor o el agua se seca sobre ellas. Si las almohadillas y la diadema se mojan, se recomienda secarlas con un paño seco y dejarlas que se sequen a la sombra.
- Si va a guardar el producto durante un periodo de tiempo prolongado, consérvelo en un lugar bien ventilado lejos del alcance de las altas temperaturas y la humedad.
- Las almohadillas se deteriorarán con el paso del tiempo debido a su uso y a mantenerlas guardadas. Cámbielas cuando resulte necesario. Si desea obtener información sobre la sustitución de las almohadillas u otras piezas, o información sobre otras piezas que puedan repararse, póngase en contacto con su distribuidor de Audio-Technica local.



## Solución de problemas

Problema	Solución
El ruido ambiente no se reduce.	<ul style="list-style-type: none"> <li>• Asegúrese de que el indicador se encuentre encendido. Cargue la batería si el indicador no se ilumina cuando el interruptor principal/cancelación de ruido activa se encuentra activado.</li> <li>• Ajuste la posición de los auriculares. Los auriculares podrían estar incorrectamente colocados sobre las orejas.</li> <li>• El ruido ambiente podría no estar sincronizado con la frecuencia de cancelación de ruido.</li> </ul>
El producto genera estruendos.	<ul style="list-style-type: none"> <li>• La conexión a algunos dispositivos como reproductores de audio portátiles equipados con un amplificador digital puede provocar ruido.</li> <li>• El uso del producto en un coche, autobús, etc, puede provocar ruidos en función de la condición de la calzada.</li> </ul>
Se produce un sonido silbante.	<ul style="list-style-type: none"> <li>• Ajuste la posición de los auriculares. Los auriculares podrían estar incorrectamente colocados sobre las orejas.</li> <li>• No toque la pieza de apertura de la carcasa. Tocar o cubrir la pieza de apertura puede producir un sonido silbante.</li> </ul>
El sonido está distorsionado.	<ul style="list-style-type: none"> <li>• Reduzca el volumen del equipo de audio o vídeo.</li> <li>• Cargue el producto.</li> </ul>
El sonido presenta zumbidos y oscilación.	<ul style="list-style-type: none"> <li>• El producto podría captar el ruido procedente de teléfonos móviles o dispositivos relacionados con ordenadores cercanos. Mantenga el dispositivo que genera el ruido alejado del producto.</li> </ul>
El producto no carga.	<ul style="list-style-type: none"> <li>• Conecte correctamente el cable de carga USB incluido para cargar el dispositivo.</li> </ul>

# Especificaciones

## Componentes de los auriculares

Tipo	Dinámicos cerrados
Transductor	45 mm
Nivel de presión del sonido de salida	97 dB/mW (PASIVO), 104 dB/mW (ACTIVO)
Respuesta en frecuencia	5 a 40.000 Hz
Impedancia	30 ohm (PASIVA), 150 ohm (ACTIVA)
Conector de entrada	Miniconector estéreo de 3,5 mm
Conector	Miniconector estéreo de 3,5 mm chapado en oro, miniconector estéreo de 3,5 mm chapado en oro (4 polos/forma de L)

## Componentes del micrófono (cable de auriculares para smartphones)

Tipo	Condensador electret
Patrón polar	Omnidireccional
Sensibilidad	-40 dB (1 V/Pa, a 1 KHz)
Respuesta en frecuencia	50 a 4.000 Hz

## Otros

Fuente de alimentación	Batería de polímero de litio CC de 3,7 V
Tiempo de carga	Aprox. 4 horas*
Tiempo de funcionamiento	Aprox. 30 horas
Peso	Aprox. 305 g (sin cable)
Temperatura de funcionamiento	5°C a 40°C
Accesorios incluidos	Cable de auriculares de 1,2 m desmontable con miniconectores estéreo de 3,5 mm chapados en oro Cable de auriculares de 1,2 m desmontable para smartphones con unidad de control/micrófono integrada y miniconectores estéreo de 3,5 mm chapados en oro Cable de carga USB Bolsa Adaptador para aviones

\* Las cifras indicadas anteriormente varían en función de las condiciones de funcionamiento.

(Con el fin de la mejora del producto, el producto está sujeto a modificaciones sin previo aviso.)

# Introdução

---

Obrigado por comprar este produto.

Antes de usar o produto, leia atentamente este manual do usuário para assegurar o uso correto do produto. Guarde este manual à mão para consultas rápidas quando for preciso.

O produto emprega uma tecnologia de cancelamento de ruído ativo proprietária para proporcionar um ambiente de audição confortável em áreas com muito ruído ambiente. O produto emprega um microfone miniatura em cada auricular que capta o ruído ambiente (tal como tráfego, sistema de tratamento de ar, etc.) e cria um sinal de cancelamento de som para bloquear o ruído com eficácia.

- A função de cancelamento de ruído do produto funciona principalmente para reduzir o ruído a 300 Hz ou menos, o que significa que não há quase nenhum efeito sobre o ruído que esteja acima dessa frequência (tal como tons de chamada de telefone e vozes).
- A função de cancelamento de ruído pode ter um efeito limitado se for usada em lugares quietos ou se for usada para cancelar determinados tipos de ruído.

# Precauções de segurança

## Atenção

Leia estas precauções antes de usar o produto.

Para garantir a segurança, observe todas as advertências e precauções ao usar o produto.

- Siga as leis aplicáveis relevantes ao uso de celulares e fones de ouvido se você for usar o produto ao dirigir um veículo.
- Não use o produto em lugares em que a incapacidade de ouvir os sons ambientes represente um risco sério (tal como passagens de nível, estações de trem e locais de construção).
- Para evitar danos à sua audição, não eleve o volume demasiadamente. Ouvir sons com volume alto durante um longo período de tempo pode causar a perda temporária ou permanente da audição.
- Pare de usar se sentir alguma irritação da pele decorrente do contato direto com o produto.
- Pare de usar o produto imediatamente se sentir alguma indisposição durante o uso.
- Não desmonte, não modifique nem tente reparar o produto.
- Tome cuidado para não prender nenhuma parte do corpo entre a cavidade e o braço do produto.
- Para assegurar a compatibilidade e o uso correto, sempre consulte o manual do usuário de qualquer dispositivo antes de conectar o produto a um dispositivo.
- A Audio-Technica não será responsável de nenhuma maneira por qualquer perda de dados no caso improvável de que tais perdas possam ocorrer durante o uso do produto.
- Em sistemas de transporte público ou em outros lugares públicos, mantenha o volume baixo para não perturbar as pessoas à sua volta.
- Ajuste o volume ao mínimo no seu dispositivo de áudio antes de conectar o produto para evitar danos à audição de uma exposição repentina a um volume excessivo.
- Ao usar o produto em um ambiente seco, você pode sentir uma sensação de formigamento em seus ouvidos. Isso é causado pela eletricidade estática acumulada no seu corpo, e não indica um mau funcionamento do produto.
- Não sujeite o produto a impactos fortes para evitar um choque elétrico, mau funcionamento ou fogo.
- Não manuseie o produto com as mãos molhadas para evitar um choque elétrico ou mau funcionamento.
- Desconecte o produto do dispositivo se encontrar qualquer mau funcionamento como ruído, fumaça, cheiro, calor ou dano do produto. Nesse caso, contate o seu revendedor local da Audio-Technica.
- Não coloque matérias estranhas tais como materiais combustíveis, metal ou líquido no produto.
- Não cubra o produto com um pano durante o uso ou carregamento.
- Não guarde o produto sob a luz direta do sol, perto de dispositivos de aquecimento ou em um lugar quente, úmido ou poeirento. Não permita que o produto seja molhado.
- Ao usar o produto durante um longo período de tempo, o produto pode se descolorir devido à luz ultravioleta (especialmente a luz direta do sol) ou ao desgaste.
- O cabo fornecido pode ficar preso ou ser danificado se o produto for colocado em uma bolsa comum ou bolso sem a proteção adequada. Sempre guarde o produto no bolsa fornecida.
- Conecte/desconecte o cabo fornecido segurando o plugue. Puxar segurando o cabo fornecido diretamente pode romper o fio e criar o risco de choque elétrico.
- Não enrole o cabo fornecido ao redor do seu dispositivo de áudio. Isso pode danificar ou cortar o cabo fornecido.
- O produto não pode ser usado com alguns players de áudio portáteis ou com outros dispositivos equipados com um amplificador digital.
- O adaptador para aviões fornecido pode não ser compatível com determinados tipos de sistemas de áudio de avião.
- Não use o produto se o uso de dispositivos eletrônicos for proibido no avião, ou se o uso de fones de ouvido pessoais com o serviço do áudio da aeronave seja proibido.
- Certifique-se de comprar o adaptador de plugue de conversão apropriado para conectar o produto a um dispositivo equipado com um jack que não seja um jack de fones de ouvido estéreo de 3,5 mm.
- Um cabo de extensão para o produto é vendido separadamente.

# Precauções de segurança

## Cuidados com a bateria recarregável

O produto é equipado com uma bateria recarregável (bateria de polímero de lítio).

- Se o fluido de bateria entrar nos seus olhos, não os esfregue. Lave bem os olhos com água limpa tal como água de torneira e consulte um médico imediatamente.
- Se o fluido de bateria vazar, não toque no fluido com as mãos nuas. Se o fluido permanecer dentro do produto, ele pode causar um mau funcionamento. Se o fluido de bateria vazar, contate o seu revendedor local da Audio-Technica.
  - Se o fluido entrar em contato com sua boca, lave bem a boca fazendo um gargarejo com água limpa, tal como água de torneira, e consulte um médico imediatamente.
  - Se a sua pele ou roupa entrar em contato com o fluido, lave imediatamente a área afetada com água. Se você sentir alguma irritação da pele, consulte um médico.
- Nunca aqueça, desmonte ou modifique a bateria, nem a elimine ao fogo.
- Não tente furar com um prego, bater com um martelo ou pisar na bateria para evitar a geração de calor, dano ou ignição.
- Não derrube o produto nem o sujeite a impactos fortes para evitar vazamentos, geração de calor ou explosão.
- Não deixe a bateria ser molhada para evitar a geração de calor, explosão ou ignição.
- Não use, deixe ou guarde a bateria nos seguintes lugares:
  - Área exposta à luz direta do sol ou em condições de alta temperatura ou umidade
  - Dentro de um carro sob o sol escaldante
  - Perto de fontes de calor tal como saídas de ar quente
- Carregue somente com o cabo USB fornecido para evitar um mau funcionamento ou fogo.
- Depois de usar o produto, certifique-se de desligá-lo. Deixar o produto ligado provoca, com frequência, o vazamento devido à drenagem da bateria.
- Para proteger a bateria recarregável embutida, recarregue-a pelo menos uma vez por semestre. Deixar a bateria recarregável inativa por muito tempo encurta a sua vida de serviço ou pode inclusive impedir a sua recarga.
- Visto que o design deste produto foi otimizado para proporcionar um desempenho estável do cancelamento de ruído, sua estrutura não permite a substituição da bateria recarregável embutida após a compra. A bateria pode ter atingido o fim de sua vida de serviço se o tempo de uso ficar mais curto mesmo que a bateria tenha sido completamente carregada, ou se o carregamento não puder ser concluído depois de mais de 4 horas de carregamento contínuo. Nesse caso, contate o seu revendedor local da Audio-Technica.

## Para clientes nos EUA

### Aviso da FCC

#### Advertência

Este dispositivo está em conformidade com a Parte 15 dos Regulamentos da FCC. A operação está sujeita às seguintes duas condições: (1) Este dispositivo não pode causar interferência prejudicial, e (2) este dispositivo deve aceitar qualquer interferência recebida, inclusive interferência que possa causar uma operação indesejável.

#### Atenção

Avisamos o usuário de que quaisquer alterações ou modificações não aprovadas expressamente neste manual podem anular a sua autoridade de operar este equipamento.

**Nota:** Este equipamento foi testado e foi verificado que cumpre com os limites para um dispositivo digital de Classe B, de acordo com a Parte 15 dos Regulamentos da FCC. Esses limites são concebidos para proporcionar uma proteção razoável contra interferências prejudiciais em uma instalação residencial. Este equipamento gera, emprega e pode radiar energia de frequência de rádio e, se não for instalado e usado de acordo com as instruções, pode causar interferência prejudicial às comunicações de rádio. No entanto, não há garantia de que não ocorra nenhuma interferência em uma instalação particular. Se este equipamento causar uma interferência prejudicial à recepção de rádio ou televisão, que pode ser determinada pela operação de desligar e ligar o equipamento, o usuário deve tentar corrigir a interferência tomando uma ou mais das seguintes medidas:

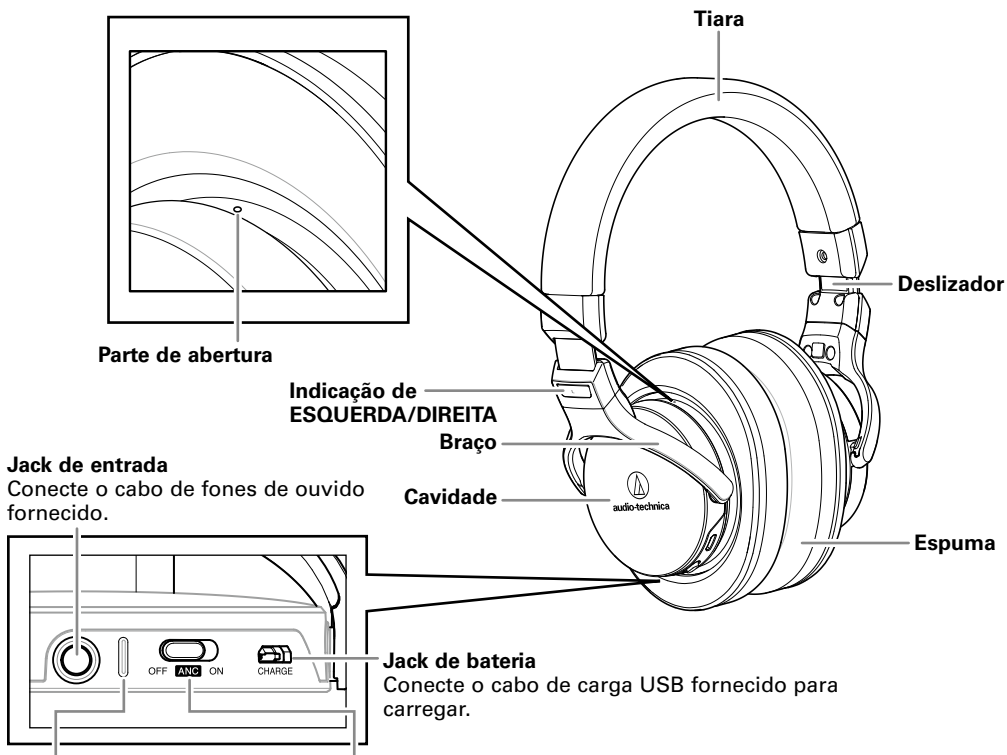
- Reoriente ou reposicione a antena de recepção.
- Aumente a separação entre o equipamento e o receptor.
- Conecte o equipamento a uma tomada elétrica em um circuito diferente.
- Consulte o seu revendedor ou um técnico de rádio/TV experiente para ajuda.

## Para clientes no Canadá

### Declaração da Indústria Canadense

CAN ICES-3 (B)/NMB-3(B)

# Nomes dos componentes e funções



## Indicador

Acende-se em azul ao ligar o interruptor de alimentação/ANC.

Acende-se em vermelho durante o carregamento.

## Interruptor de alimentação/ANC

Ligue para ativar a função de cancelamento de ruído. O produto funciona como fones de ouvido estéreo na posição desligada sem a função de cancelamento de ruído ativo (função de bypass).

## Acessórios incluídos



- Cabo de fones de ouvido destacável de 1,2 m com miniplugues estéreo banhados a ouro de 3,5 mm



- Cabo de fones de ouvido destacável de 1,2 m para smartphones com controlador/microfone em linha e miniplugues estéreo banhados a ouro de 3,5 mm



- Adaptador para aviões



- Cabo de recarga USB



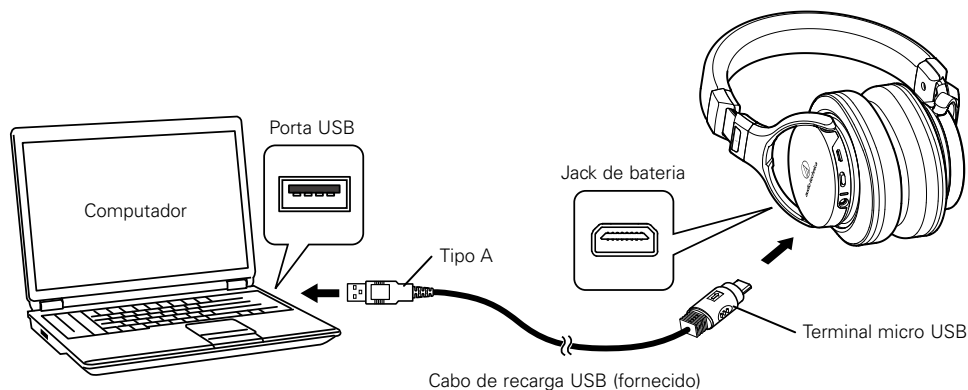
- Bolsa

\* O jack no sistema de áudio de um avião pode ser diferente da entrada de 3,5 mm padrão. Use o adaptador para aviões fornecido se for necessário.

## Uso dos fones de ouvido

### Como recarregar

- Recarregue a bateria completamente antes de usar pela primeira vez.
- Demora cerca de 4 horas para recarregar a bateria completamente. (Isso varia dependendo das condições de serviço.)



1 Conecte o cabo de recarga USB fornecido (o lado do terminal micro USB) ao jack de bateria dos fones de ouvido.

\* O cabo de recarga USB fornecido foi projetado especificamente para recarregar o produto. Os dados não podem ser transferidos para e desde um computador.

2 Conecte o cabo de recarga USB fornecido (o lado Tipo A) ao computador e inicie a recarga.

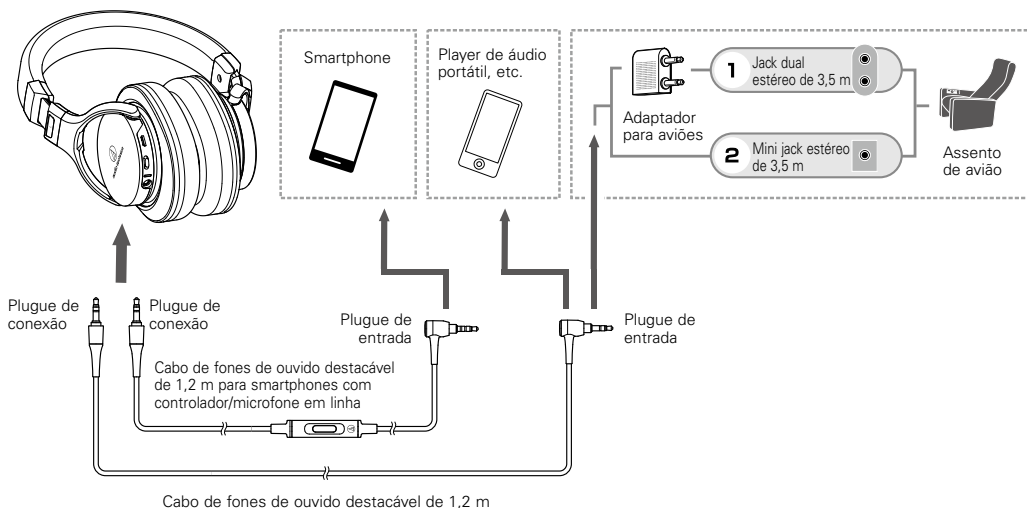
3 Durante a recarga, o indicador acende/pisca como segue:

Indicador	Condição de re carregamento
Aceso vermelho	Recarga
Apagado	Completo
Piscando vermelho	Erro*

\* Em caso de erro de recarga, desconecte o produto do seu divo e contate o seu revendedor Audio-Technica.

# Uso dos fones de ouvido

## Como conectar



1 Selecione o cabo que você deseja usar e, em seguida, conecte o plugue do conector do cabo ao jack de entrada dos fones de ouvido.

\* Antes de usar os cabos destacáveis, identifique o “plugue de conector” e o “plugue de entrada”.

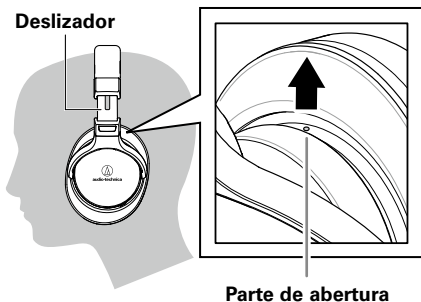
2 Ajuste o volume de cada dispositivo de som ao mínimo e, em seguida, conecte o “plugue de entrada” ao terminal de fones de ouvido.

\* Use o adaptador para aviões fornecido para conectar a um sistema de áudio de avião típico.

3 Mova o interruptor de alimentação/ANC no produto para a posição ON e, em seguida, ajuste as espumas de ouvido em seus ouvidos com o lado marcado com “L” em seu ouvido esquerdo e com “R” em seu ouvido direito, ajustando o comprimento da alça deslizando o deslizador ajustável como mostrado na figura.

\* Coloque o produto na sua cabeça com a parte de abertura virada para cima, de maneira que o produto possa proporcionar um desempenho estável do cancelamento de ruído.

\* Certifique-se de que o indicador esteja aceso.



Parte de abertura

O indicador acende-se	Condição
Azul	O interruptor de alimentação/ANC está ligado
Vermelho	Recarga
Roxo	Durante a recarga com o interruptor de alimentação/ANC ligado

4 Ligue o seu dispositivo de áudio e ajuste o volume conforme seja necessário.

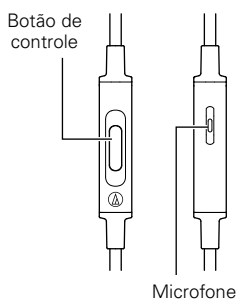
\* Leia também o manual de instruções do dispositivo de áudio.



## Uso dos fones de ouvido

- 5 Depois de usar os fones de ouvido, certifique-se de mover o interruptor de alimentação/ANC para a posição OFF e de desconectar o cabo de fones de ouvido de 1,2 m dos fones de ouvido e do dispositivo de áudio ou smartphone.
- Para cancelamento de ruído sem áudio, não há necessidade de conectar o cabo de fones de ouvido.
  - O produto possui uma função de “bypass” para funcionar como fones de ouvido estéreo e reproduzir música de um dispositivo portátil, mesmo que o produto esteja sem carga da bateria (função de bypass).
  - O som reproduzido pode ser facilmente ouvido no lado de fora para garantir a qualidade de desempenho do produto. Em sistemas de transporte público ou em outros lugares públicos, mantenha o volume baixo para não perturbar as pessoas à sua volta.

### Uso do cabo de fones de ouvido para smartphones



Reprodução/pausa de música/filme Atendimento/terminação de chamadas	Pressione o botão de controle uma vez.
--	--

- \* Alguns smartphones não suportam a função de reprodução e pausa para arquivos de música/filme.
- \* A Audio-Technica não oferece assistência técnica sobre o uso de smartphones.

## Limpeza

Adquira o hábito de limpar os seus fones de ouvido regularmente para garantir que eles durem um longo período de tempo. Não use álcool, diluentes de tinta ou outros solventes para a limpeza.

- Limpe a unidade principal com um pano seco para limpar os fones de ouvido/controlador remoto com microfone.
- Limpe os cabos com um pano seco após o uso se houver suor ou outra sujeira presente. Usar um cabo sujo continuamente irá deteriorar e endurecer o cabo, resultando num mau funcionamento do produto.
- Se os plugues nos cabos estiverem sujos, limpe-os com um pano seco. Usar com o plugue sujo pode causar o salto ou distorção do som.
- Use um pano seco para limpar as espumas e a tiara. As espumas e a tiara podem desbotar se o suor ou água secar nelas. Se as espumas e a tiara forem molhadas, recomendamos que você as limpe com um pano seco e deixe-as secar na sombra.
- Para um armazenamento prolongado, mantenha o produto em um lugar bem ventilado, livre de condições de alta temperatura e umidade.
- As espumas se deterioram com o tempo devido ao uso e armazenamento. Substitua-as quando for necessário. Para as informações sobre a substituição das espumas ou outras partes, ou para as informações sobre outras partes reparáveis, contate o seu revendedor Audio-Technica.

## Detecção e solução de problemas

<b>Problema</b>	<b>Solução</b>
O ruído ambiente não é reduzido.	<ul style="list-style-type: none"><li>• Certifique-se de que o indicador esteja aceso. Recarregue a bateria se o indicador não se acender ao ligar o interruptor de alimentação/ANC.</li><li>• Ajuste a posição dos fones de ouvido. Os fones de ouvido podem estar posicionados incorretamente nos ouvidos.</li><li>• O ruído ambiente pode estar fora de sincronização com a frequência de cancelamento de ruído.</li></ul>
O produto produz um ruído estrondoso.	<ul style="list-style-type: none"><li>• Conectar a alguns dispositivos tais como players de áudio portáteis equipados com um amplificador digital pode produzir um ruído.</li><li>• Usar o produto em um automóvel, ônibus, etc. pode produzir um ruído dependendo das condições da via.</li></ul>
É gerado um som silvante.	<ul style="list-style-type: none"><li>• Ajuste a posição dos fones de ouvido. Os fones de ouvido podem estar posicionados incorretamente nos ouvidos.</li><li>• Não toque na abertura na cavidade. Tocar e cobrir a parte de abertura pode gerar um som silvante.</li></ul>
O som está distorcido.	<ul style="list-style-type: none"><li>• Reduza o volume do equipamento de áudio/vídeo.</li><li>• Recarregue o produto.</li></ul>
Ocorre zumbido e oscilação no som.	<ul style="list-style-type: none"><li>• O produto pode captar ruído de celulares ou equipamentos relacionados com computadores próximos. Mantenha o equipamento gerador do ruído afastado do produto.</li></ul>
O produto não pode ser recarregado.	<ul style="list-style-type: none"><li>• Conecte o cabo de carga USB fornecido firmemente e recarregue.</li></ul>

# Especificações

## Fones de ouvido

Tipo	Dinâmico de cavidades fechadas
Driver	45 mm
Nível de pressão do som de saída	97 dB/mW (PASSIVO), 104 dB/mW (ATIVO)
Resposta de frequência	5 a 40.000 Hz
Impedância	30 ohms (PASSIVO), 150 ohms (ATIVO)
Jack de entrada	Mini jack estéreo de 3,5 mm
Plugue	Miniplugue estéreo banhado a ouro de 3,5 mm, miniplugue estéreo banhado a ouro de 3,5 mm (4 polos/em forma de "L")

## Microfone (Cabo de fones de ouvido para smartphones)

Tipo	Condensador de eletreto
Padrão polar	Omnidirecional
Sensibilidade	-40 dB (1 V/Pa, a 1 KHz)
Resposta de frequência	50 a 4.000 Hz

## Outros

Fonte de energia	Bateria de polímero de lítio de 3,7 V CC
Tempo de recarga	Aprox. 4 horas*
Tempo de funcionamento	Aprox. 30 horas
Peso	Aprox. 305 g (sem o cabo)
Temperatura de funcionamento	5°C a 40°C
Acessórios incluídos	Cabo de fones de ouvido destacável de 1,2 m com miniplugues estéreo banhados a ouro de 3,5 mm Cabo de fones de ouvido destacável de 1,2 m para smartphones com controlador/microfone em linha e miniplugues estéreo banhados a ouro de 3,5 mm Cabo de recarga USB Bolsa Adaptador para aviões

\* Os números acima dependem das condições de funcionamento.

(Para o melhoramento do produto, o produto está sujeito a modificações sem aviso prévio.)

## Введение

Благодарим Вас за приобретение данного изделия.

Перед использованием изделия внимательно прочтите данное руководство пользователя, чтобы обеспечить правильную эксплуатацию изделия. Также храните данное руководство под рукой, чтобы облегчить поиск информации в случае необходимости.

В данном изделии используется фирменная технология активного шумоподавления, которая обеспечивает комфортные условия прослушивания в местах с высоким уровнем окружающего шума. В данном изделии имеется миниатюрный микрофон в каждом наушнике, которые используются для приема окружающего шума (например, автомобильного транспорта, систем кондиционирования и т.п.) и создания сигнала шумоподавления для эффективного блокирования этого шума.

- Функция шумоподавления данного изделия в основном направлена на уменьшение шума с частотой до 300 Гц, поэтому она практически не оказывает влияния на шум за пределами этого диапазона частот (например, мелодии звонка телефона и голоса).
- Функция шумоподавления может оказывать ограниченный эффект при использовании в тихих местах или при использовании для подавления определенных типов шума.

## Меры предосторожности

### Предостережение

Прочтите данные предостережения перед использованием изделия.

Для обеспечения безопасности соблюдайте все предупреждения и предостережения во время использования данного изделия.

- Выполняйте соответствующие законы, касающиеся использования мобильных телефонов и наушников при использовании данного изделия во время управления автомобилем.
- Не используйте изделие в местах, где неспособность слышать звуковое окружение создает серьезный риск (например, на пересечениях с железной дорогой, вокзалах и строительных площадках).
- Во избежание нарушения слуха не устанавливайте слишком высокую громкость. Прослушивание громкого звука в течение длительного времени может привести к временной или постоянной потере слуха.
- Прекратите использование при возникновении раздражения кожи в результате прямого контакта с изделием.
- Немедленно прекратите использование изделия при ухудшении самочувствия во время использования.
- Не разбирайте, не модифицируйте и не пытайтесь ремонтировать данное изделие.
- Соблюдайте осторожность, чтобы не прищемить что-либо между корпусом и рукояткой данного изделия.
- Для обеспечения совместимости и правильного использования всегда обращайтесь к руководству пользователя любого устройства перед подсоединением к нему данного изделия.
- Компания Audio-Technica никоим образом не несет ответственности за любые потери данных в случае возникновения такого маловероятного события во время использования данного изделия.
- Не превышайте громкость в общественном транспорте или в других общественных местах, чтобы не мешать другим людям.
- Уменьшите громкость на аудиоустройстве перед подсоединением данного изделия во избежание повреждения слуха из-за воздействия чрезмерного громкого звука.
- При использовании данного изделия в сухой окружающей среде в ушах может возникать покалывающее ощущение. Это вызвано статическим электрическим, накапливающимся на вашем теле, а не нарушением работы изделия.
- Не подвергайте изделие сильным ударам во избежание поражения электрическим током, нарушения работы или возгорания.
- Не беритесь за изделие влажными руками во избежание поражения электрическим током или нарушения работы.
- Отсоедините изделие от устройства при обнаружении любого нарушения работы, например, шума, дыма, запаха, жара или повреждения изделия. В таком случае обратитесь к местному дилеру компании Audio-Technica.
- Не допускайте попадания в изделие посторонних предметов, например, горючих материалов, металла или жидкости.
- Не накрывайте изделие одеждой во время использования или зарядки.
- Не храните изделие под прямым солнечным светом, рядом с нагревательными приборами или в жарком, влажном или пыльном месте. Не допускайте попадания влаги на изделие.
- При использовании изделия в течение длительного времени возможно его обесцвечивание под воздействием ультрафиолетового света (особенно под прямым солнечным светом) или изнашивания.
- Если поместить изделие в пакет или карман без надлежащей защиты, прилагаемый кабель может зацепиться или оторваться. Всегда храните изделие в прилагаемой сумке.
- Подсоединяйте/отсоединяйте прилагаемый кабель, взявшись за штекер. Если потянуть непосредственно за прилагаемый кабель, это может привести к обрыву провода и поражению электрическим током.
- На обматывайте прилагаемый кабель вокруг аудиоустройства. Это может привести к повреждению или обрыву прилагаемого кабеля.
- Данное изделие не может использоваться с некоторыми портативными аудиоплеерами или другими устройствами, оснащенными цифровым усилителем.
- Прилагаемый авиационный адаптер может быть несовместим с некоторыми типами устройств в самолете.
- Не используйте данное изделие в случае запрета на использование электронных устройств, в самолете или в случае запрета на использование персональных наушников с аудиослужбой самолета.
- При соединении изделия с устройством, оснащенным разъемом, отличным от 3,5-мм стереогнезда наушников, обязательно приобретите соответствующий адаптер-переходник для штекера.
- Кабель-удлиннитель для данного изделия продается отдельно.

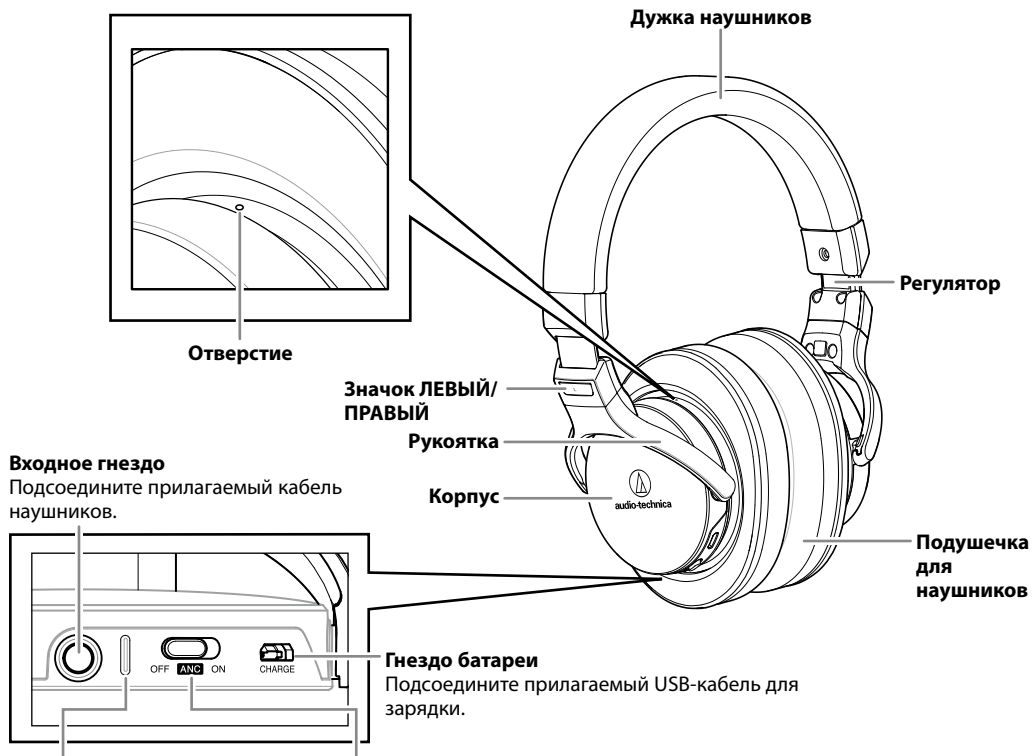
## Меры предосторожности

### Предостережения относительно аккумулятора

Данное изделие оснащено аккумулятором (литий-полимерной батареей).

- Не трите глаза при попадании в них электролита. Тщательно промойте их чистой водой, например, водопроводной водой, и немедленно обратитесь к врачу.
- В случае утечки электролита не прикасайтесь к нему голыми руками. Если электролит останется внутри изделия, это может привести к неисправности. В случае утечки электролита обратитесь к местному дилеру компании Audio-Technica.
  - При попадании электролита в рот тщательно промойте его чистой водой, например, водопроводной водой, и немедленно обратитесь к врачу.
  - При попадании электролита на кожу или одежду немедленно промойте этот участок кожи или одежды водой. При возникновении раздражения кожи обратитесь к врачу.
- Ни в коем случае не нагревайте, не разбирайте и не модифицируйте батарею, а также не выбрасывайте ее в огонь.
- Не пытайтесь пробить батарею гвоздем, разбить молотком или наступить на нее во избежание выделения тепла, повреждения или воспламенения.
- Не роняйте изделие и не подвергайте его сильным ударам во избежание утечки, выделения тепла или взрыва.
- Не допускайте попадания на батарею влаги во избежание выделения тепла, взрыва или воспламенения.
- Не используйте, не оставляйте и не храните батарею в следующих местах:
  - Места, находящиеся под воздействием прямого солнечного света или высоких температур и влажности
  - Внутри автомобиля под ослепительным солнцем
  - Вблизи источников тепла, например, обогревателей
- Во избежание нарушения работы или возгорания выполняйте зарядку только с помощью прилагаемого USB-кабеля.
- После использования изделия обязательно выключите его. Невыключение изделия часто приводит к возникновению утечки в результате саморазряда батареи.
- Для защиты встроенного аккумулятора заряжайте его по крайней мере один раз в полгода. Если оставить его очень надолго, это приведет к сокращению времени работы аккумулятора или к тому, что аккумулятор вообще не будет заряжаться.
- Поскольку конструкция данного изделия оптимизирована для обеспечения стабильного шумоподавления, его устройство не позволяет заменять встроенный аккумулятор после приобретения. Если время использования сократилось несмотря на то, что батарея полностью заряжена, или если зарядка не завершается даже через более чем 4 часа непрерывной зарядки, возможно, срок эксплуатации батареи истек. В этом случае обратитесь к местному дилеру компании Audio-Technica.

## Наименования деталей и функции



### Индикатор

Горит синим цветом при включении питания/активного шумоподавления.

Также горит красным цветом во время зарядки.

### Выключатель питания/активного шумоподавления

Включите для активации функция шумоподавления. В выключенном положении данное изделие функционирует в качестве стереонаушников без функция активного шумоподавления (функция сквозного воспроизведения).

### Прилагаемые аксессуары



- Отсоединяемый кабель наушников длиной 1,2 м с позолоченным 3,5 мм стереофоническим мини-штекером



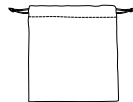
- Отсоединяемый кабель наушников для смартфонов длиной 1,2 м с встроенным управлением/микрофоном и позолоченным 3,5-мм стереофоническим мини-штекером



- Авиационный адаптер



- USB-кабель для зарядки



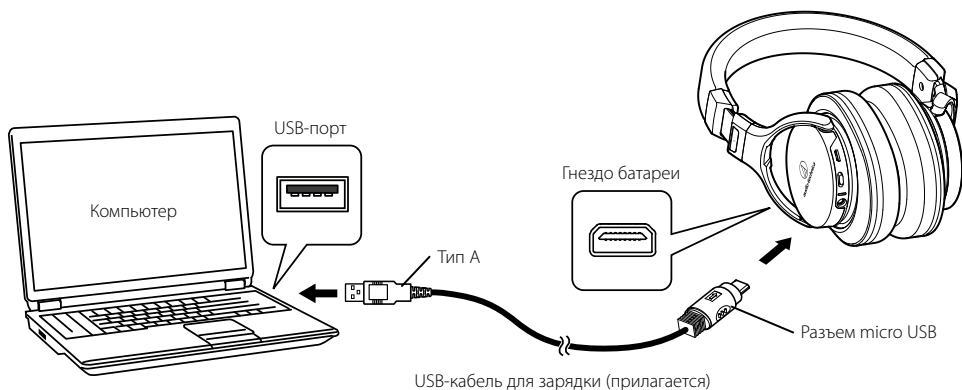
- Сумка

\* Гнездо на оборудовании самолета может отличаться от стандартного входа 3,5 мм. При необходимости используйте прилагаемый авиационный адаптер.

# Использование наушников

## Зарядка

- Полностью зарядите батарею при использовании в первый раз.
- Полная зарядка батареи занимает около 4 часов. (Это время изменяется в зависимости от условий эксплуатации.)



1 Подсоедините прилагаемый USB-кабель для зарядки (сторона с разъемом micro USB) к гнезду батареи наушников.

\* Прилагаемый USB-кабель для зарядки предназначен только для зарядки данного изделия. Передача данных на компьютер и с компьютера невозможна.

2 Подсоедините прилагаемый USB-кабель для зарядки (сторона Типа A) к компьютеру и начните зарядку.

3 Во время зарядки индикатор будет гореть/мигать следующим образом:

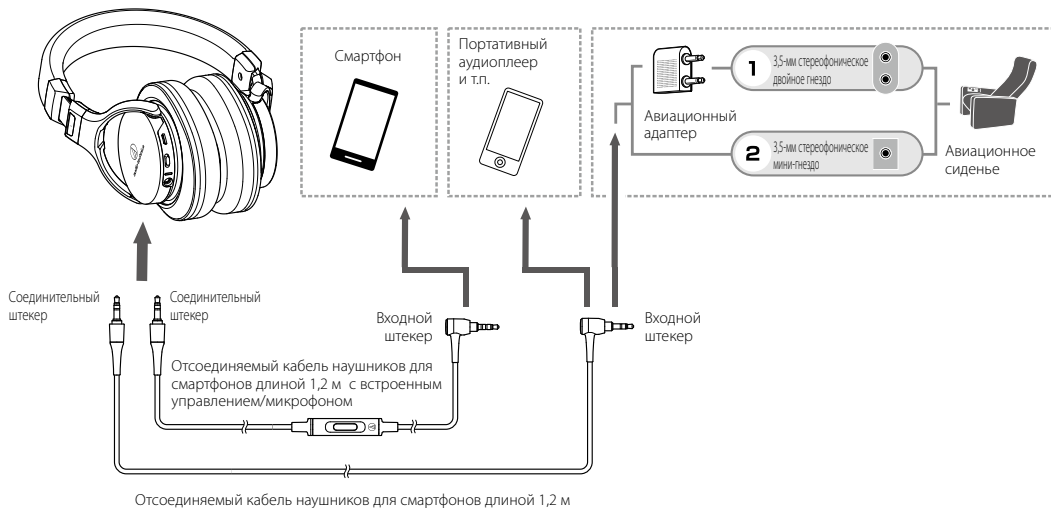
Индикатор	Состояние зарядки
Горит красным цветом	Зарядка
Выключен	Завершена
Мигает красным цветом	Ошибка*

\* В случае ошибки зарядки отсоедините изделие от устройства и обратитесь к дилеру компании Audio-Technica.



# Использование наушников

## Соединение



1 Выберите кабель, который вы хотите использовать, и подсоедините соединительный штекер кабеля к входному гнезду наушников.

\* Перед использованием отсоединяемых кабелей определите “Соединительный штекер” и “Входной штекер”.

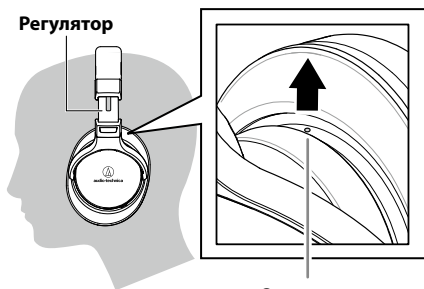
2 Установите минимальный уровень каждого звукового устройства, а затем подсоедините “Входной штекер” к разъему наушников.

\* Используйте прилагаемый авиационный адаптер для подсоединения к стандартным авиационным аудиосистемам.

3 Переместите выключатель питания/активного шумоподавления на изделии в положение ON (ВКЛ) и поместите подушечки для наушников таким образом, чтобы сторона со значком “L” (ЛЕВЫЙ) находилась на левом ухе, а сторона “R” (ПРАВЫЙ) – на правом ухе, отрегулировав длину дужки наушников путем сдвига регулятора, как показано на рисунке.

\* Расположите изделие на голове таким образом, чтобы отверстие находилось вверху для обеспечения стабильного шумоподавления.

\* Убедитесь, что индикатор горит.



Отверстие

Индикатор горит в	Состояние
Синий	Выключатель питания/активного шумоподавления включен
Красный	Зарядка
Пурпурный	Выключатель питания/активного шумоподавления включен и выполняется зарядки

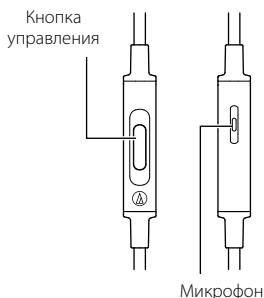
4 Включите аудиоустройство и отрегулируйте громкость в случае необходимости.

\* Также прочтите руководство по эксплуатации аудиоустройства.

## Использование наушников

- 5 После завершения использования наушников обязательно переместите выключатель питания/активного шумоподавления в положение OFF (Выкл) и отсоедините кабель наушников длиной 1,2 м от наушников и аудиоустройства или смартфона.
- При шумоподавлении без аудиосигнала нет необходимости подсоединять кабель наушников.
  - Данное изделие обеспечивает функцию сквозного воспроизведения, которая позволяет использовать его в качестве стереонаушников и воспроизводить музыку с портативного устройства даже в том случае, если батарея изделия разряжена (функция сквозного воспроизведения).
  - Воспроизводимый звук будет хорошо слышен снаружи, благодаря чему потребительские качества изделия сохраняются. Не превышайте громкость в общественном транспорте или в других общественных местах, чтобы не мешать другим людям.

### Использование кабеля наушников для смартфонов



Воспроизведение/приостановка воспроизведения музыки/видео Ответ на вызов/завершение вызова	Нажмите один раз кнопку управления.
---	-------------------------------------

- \* Некоторые смартфоны не поддерживают воспроизведение и приостановку для музыкальных/видеофайлов.
- \* Компания Audio-Technica не предоставляет услуги поддержки по вопросам использования смартфонов.

## Очистка

Выработайте привычку регулярно очищать наушники для обеспечения длительного срока их эксплуатации. Не используйте для очистки спирт, разбавители для краски или другие растворители.

- Вытрите основной блок сухой тканью для очистки наушников/пульта дистанционного управления с микрофоном.
- Вытрите кабели сухой тканью после их использования, если на них присутствует пот или другие загрязнения. Использование грязных кабелей в течение длительного времени приведет к нарушению работы изделия из-за ухудшения характеристик и отвердевания кабеля.
- В случае загрязнения вытрите штекеры на кабеле сухой тканью. Использование загрязненного штекера может привести к прерыванию или искажению звука.
- Для очистки подушечек для наушников и дужки наушников вытрите их сухой тканью. Подушечки для наушников и дужка наушников могут обесцветиться при высыхании на них пота или воды. При попадании влаги на подушечки для наушников и дужку наушников рекомендуется вытереть их сухой тканью и дать высохнуть в тени.
- В случае длительного хранения поместите изделие в хорошо вентилируемое место, не находящееся под воздействием высоких температур и влажности.
- Со временем подушечки для наушников теряют свои свойства в результате использования и хранения. Замените их в случае необходимости. Для получения информации о замене подушечек для наушников или других деталей, либо информации о других обслуживаемых деталях, обратитесь к своему дилеру компании Audio-Technica.

## Поиск и устранение неисправностей

Возможная неисправность	Метод устранения
Уровень окружающего шума не снижается.	<ul style="list-style-type: none"> <li>• Убедитесь, что индикатор горит. Зарядите батарею, если индикатор не горит при включении выключателя питания/активного шумоподавления.</li> <li>• Отрегулируйте положение наушников. Возможно, наушники неправильно располагаются на ушах.</li> <li>• Возможно, окружающий шум не синхронизирован с частотой шумоподавления.</li> </ul>
Изделие издает грохочущий шум.	<ul style="list-style-type: none"> <li>• Подсоединение к некоторым устройствам, например, портативным аудиоплеерам, оснащенным цифровым усилителем, может приводить к возникновению шума.</li> <li>• Использование данного изделия в автомобиле, автобусе и т.п., может приводить к возникновению шума в зависимости от состояния дороги.</li> </ul>
Возникает завышающий звук.	<ul style="list-style-type: none"> <li>• Отрегулируйте положение наушников. Возможно, наушники неправильно располагаются на ушах.</li> <li>• Не прикасайтесь к отверстию на корпусе. Прикосновение или закрытие отверстия на корпусе может приводить к возникновению завышающего звука.</li> </ul>
Возникает искажение звука.	<ul style="list-style-type: none"> <li>• Уменьшите громкость аудио/видео-оборудования.</li> <li>• Зарядите изделие.</li> </ul>
Возникает гул и дребезжащий звук.	<ul style="list-style-type: none"> <li>• Возможно, изделие подверглось воздействию помех от мобильных телефонов или оборудования, относящегося к находящимся поблизости компьютерам. Не допускайте приближения к данному изделию оборудования, являющегося источником помех.</li> </ul>
Изделие не заряжается.	<ul style="list-style-type: none"> <li>• Надежно подсоедините прилагаемый USB-кабель и выполните зарядку.</li> </ul>

## Технические характеристики

### Компоненты наушников

Тип	Динамические закрытого типа
Динамик	45 мм
Уровень звукового давления выходного сигнала	97 дБ/мВт (ПАССИВНЫЙ), 104 дБ/мВт (АКТИВНЫЙ)
Частотная характеристика	5 до 40 000 Гц
Импеданс	30 Ом (ПАССИВНЫЙ), 150 Ом (АКТИВНЫЙ)
Входное гнездо	3,5-мм стереофоническое мини-гнездо
Штекер	Позолоченный 3,5-мм стереофонический мини-штекер, позолоченный 3,5-мм стереофонический мини-штекер (4-полюсный / L-образный)

### Компоненты микрофона (кабель наушников для смартфонов)

Тип	Электретный конденсатор
Диаграмма направленности	Всенаправленный
Чувствительность	-40 дБ (1 В/Па, при 1 кГц)
Частотная характеристика	50 до 4 000 Гц

### Прочее

Источник питания	Литий-полимерная батарея пост.тока 3,7 В
Время зарядки	Приблиз. 4 часа*
Время работы	Приблиз. 30 часов
Вес	Приблиз. 305 г (без кабеля)
Рабочая температура	5°C до 40°C
Прилагаемые аксессуары	Отсоединяемый кабель наушников длиной 1,2 м с позолоченным 3,5 мм стереофоническим мини-штекером Отсоединяемый кабель наушников для смартфонов длиной 1,2 м с встроенным управлением/микрофоном и позолоченным 3,5-мм стереофоническим мини-штекером USB-кабель для зарядки Сумка Авиационный адаптер

\* Указанные выше значения зависят от условий эксплуатации.

(В целях усовершенствования изделия оно может подвергаться модификации без уведомления.)

## 소개

본 제품을 구매해 주셔서 감사합니다.

본 제품을 올바르게 사용할 수 있도록 제품을 사용하기 전에 사용설명서를 빠짐없이 읽으십시오. 또한 필요할 때 쉽게 참조할 수 있도록 이 설명서를 가까운 곳에 보관하십시오.

본 제품은 독점적인 능동 소음 제거 기술을 사용하여 주변 소음이 심한 곳에서 편안한 청취 환경을 제공합니다. 본 제품에는 각 이어피스에 주변 소음(자동차, 공기 조화 시스템 등)을 선별하여 음향을 효과적으로 차단하는 소음 제거 신호를 만드는 1개의 미니어처 마이크폰이 있습니다.

- 제품의 소음 제거 기능은 주로 300Hz 이하의 소음을 줄이는 역할을 하며, 이는 이 주파수보다 높은 소음(전화벨 소리 및 음성 등)에는 거의 영향이 없음을 의미합니다.
- 소음 제거 기능은 조용한 곳에서 사용하거나 특정한 유형의 소음을 제거하는 데 사용할 경우 효과가 제한될 수 있습니다.

## 안전 주의사항

### 주의

본 제품을 사용하기 전에 이러한 주의사항을 읽으십시오.

안전을 보장하기 위해 제품을 사용하는 동안 모든 경고 및 주의사항을 준수하십시오.

- 운전 중에 제품을 사용할 경우 휴대폰 및 헤드폰 사용에 대한 해당 법률을 따르십시오.
- 주변 음향을 들을 수 없어 심각한 위험을 유발할 수 있는 장소(철도 건널목, 기차역, 건설 현장 등)에서는 본 제품을 사용하지 마십시오.
- 청력 손상을 방지하기 위해 볼륨을 너무 높이지 마십시오. 시끄러운 음향을 장시간 청취할 경우 청력이 일시적으로 또는 영구적으로 상실될 수 있습니다.
- 제품이 피부에 닿아 피부 염증이 발생한 경우에는 사용을 중단하십시오.
- 사용 도중 불편함을 느낄 경우 즉시 제품 사용을 중단하십시오.
- 제품을 분해하거나, 개조하거나, 수리하려고 시도하지 마십시오.
- 본 제품의 하우징과 암 사이에 신체 일부가 끼지 않도록 주의하십시오.
- 호환성과 올바른 사용을 보장하기 위해 제품에 장치를 연결하기 전에 항상 해당 장치의 사용설명서를 참조하십시오.
- Audio-Technica는 드문 경우지만 본 제품을 사용하는 동안 발생한 데이터 손실에 대해 어떤 식으로든 책임을 지지 않습니다.
- 대중 교통 또는 기타 공공 장소에서는 다른 사람들에게 방해가 되지 않도록 볼륨을 낮게 유지하십시오.
- 과도한 볼륨에 갑작스럽게 노출되어 청력이 손상되는 것을 방지하기 위해 제품을 연결하기 전에 오디오 장치의 볼륨을 최소화하십시오.
- 건조한 환경에서 제품을 사용할 경우 귀가 따끔거리는 것처럼 느껴질 수 있습니다. 이는 제품 고장이 아니라 체내에 축적된 정전기에 의한 것입니다.
- 감전, 고장 또는 화재가 발생할 수 있으므로 제품에 강한 충격을 가하지 마십시오.
- 감전 또는 고장이 발생할 수 있으므로 젖은 손으로 제품을 다루지 마십시오.
- 소음, 연기, 냄새, 열 또는 제품 손상 등의 고장이 발생할 경우 제품을 장치에서 분리하십시오. 그러한 경우 지역 Audio-Technica 판매점에 문의하십시오.
- 가연성 물질, 금속 또는 액체와 같은 이물질이 제품에 유입되지 않도록 주의하십시오.
- 사용 또는 충전 도중 천으로 제품을 덮지 마십시오.
- 직사광선 아래, 가열 장치 근처 또는 습하거나 먼지가 많은 장소에 제품을 보관하지 마십시오. 제품이 젖지 않도록 주의하십시오.
- 제품을 장시간 사용할 경우 자외선(특히 직사광선)이나 마모로 인해 제품이 변색될 수 있습니다.
- 적절한 보호 조치 없이 제품을 가방이나 주머니에 넣을 경우 기본 제공 케이블이 걸리거나 끊어질 수 있습니다. 항상 기본 제공 파우치에 제품을 보관하십시오.
- 플러그를 잡고 기본 제공 케이블을 연결하거나 분리하십시오. 기본 제공 케이블을 직접 당길 경우 와이어가 끊어져 감전의 위험이 있을 수 있습니다.
- 오디오 장치에 기본 제공 케이블을 감지 마십시오. 기본 제공 케이블이 손상되거나 끊어질 수 있습니다.
- 본 제품은 일부 휴대용 오디오 플레이어 또는 디지털 앰프가 장착된 기타 장치와 함께 사용할 수 없습니다.
- 기본 제공 항공기 어댑터는 특정 유형의 항공기 장치와 호환되지 않을 수 있습니다.
- 항공기에서 전기 장치 사용이 금지된 경우 또는 개인 헤드폰과 항공기의 오디오 서비스를 함께 사용하는 것이 금지된 경우에는 제품을 사용하지 마십시오.
- 본 제품을 3.5mm 스테레오 헤드폰 잭이 아닌 다른 잭이 내장된 장치에 연결하려면 해당 변환 플러그 어댑터를 구매해야 합니다.
- 본 제품의 연장 케이블은 별도로 판매됩니다.

## 안전 주의사항

### 충전지에 대한 주의사항

본 제품에는 충전지(리튬 폴리머 전지)가 내장되어 있습니다.

- 전지액이 눈에 들어간 경우 눈을 비비지 마십시오. 수돗물과 같은 깨끗한 물로 완전히 헹구고 즉시 의사의 진료를 받으십시오.
- 전지액이 누출된 경우 맨손으로 전지액을 만지지 마십시오. 전지액이 제품 안에 남아 있으면 고장의 원인이 될 수 있습니다. 전지액이 누출된 경우 지역 Audio-Technica 판매점에 문의하십시오.
  - 전지액을 삼킨 경우 수돗물과 같은 깨끗한 물로 입 안을 완전히 헹구고 즉시 의사의 진료를 받으십시오.
  - 피부나 옷에 전지액이 묻은 경우 즉시 해당 부위 또는 옷을 물로 씻으십시오. 피부 염증을 경험할 경우 의사의 진료를 받으십시오.
- 전지를 가열, 분해 또는 개조하거나 불 속에 폐기하지 마십시오.
- 전지에 열, 손상 또는 접착이 발생할 수 있으므로 못으로 구멍을 뚫거나, 망치로 두드리거나, 밟지 마십시오.
- 누출, 열 발생 또는 폭발이 발생할 수 있으므로 제품을 떨어뜨리거나 강한 충격을 주지 마십시오.
- 열, 폭발 또는 접착이 발생할 수 있으므로 전지가 젖지 않도록 주의하십시오.
- 다음 장소에서는 전지를 사용하거나 놓아 두거나 보관하지 마십시오.
  - 직사광선이나 높은 온도 및 습도에 노출된 영역
  - 띄약별 아래에 있는 자동차 안
  - 열 레지스터와 같은 열원 근처
- 고장이나 화재가 발생할 수 있으므로 기본 제공 USB 케이블로만 충전하십시오.
- 제품을 사용한 후에는 스위치를 끄십시오. 제품 스위치를 끄지 않으면 전지 소모로 인해 종종 누출이 발생합니다.
- 내장 충전지를 보호하려면 최소한 6개월마다 한 번 충전하십시오. 너무 오랫동안 충전하지 않은 상태로 둘 경우 충전지의 수명이 감소하거나 전지가 전혀 충전되지 않을 수 있습니다.
- 본 제품의 디자인은 안정적인 소음 제거 성능을 제공할 수 있도록 최적화되어 있으므로 제품 구조상 구매 후에 내장 충전지를 교체할 수 없습니다. 완전히 충전된 상태에서도 전지의 사용 시간이 더 짧아지거나 4시간 이상 연속 충전 후에도 충전이 완료되지 않을 경우 전지의 사용 수명이 다 되었을 수 있습니다. 이 경우 지역 Audio-Technica 판매점에 문의하십시오.

### 한국 소비자용 공지사항

B 급 기기 (가정용 방송통신기자재)

이 기기는 가정용(B 급) 전자파적합기기로서 주로 가정에서 사용하는 것을 목적으로 하며, 모든 지역에서 사용할 수 있습니다.



MSIP-REM-JMF-ATH-MSR7NC

기기의 명칭 : Active Noise-Cancelling Headphones

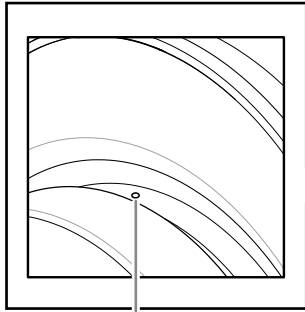
모델명 : ATH-MSR7NC

상호명 : Audio-Technica Corporation

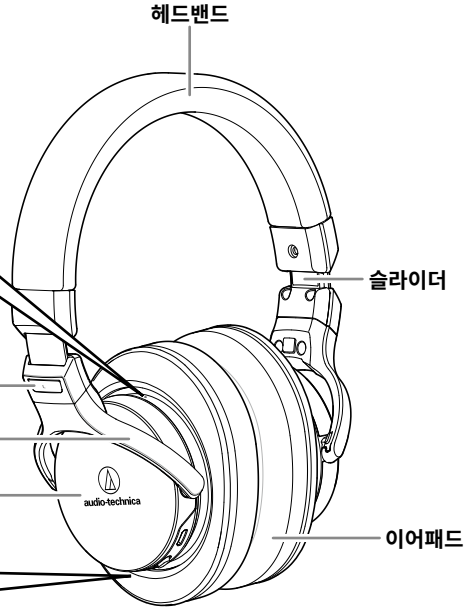
제조사 : Audio-Technica Corporation

제조국 : CHINA

# 부품 이름 및 기능

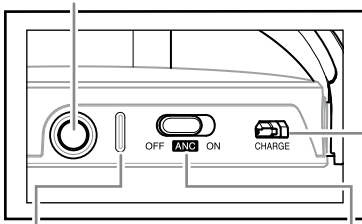


패인 부분



## 입력 잭

기본 제공 헤드폰 케이블을 연결합니다.



## 전지 잭

기본 제공 USB 충전 케이블을 연결하여 충전합니다.

## 표시기

전원/ANC 스위치가 켜지면 파란색 불이 들어옵니다. 충전 중에는 빨간색 불이 들어옵니다.

## 전원/ANC 스위치

스위치를 켜서 소음 제거 기능을 활성화합니다. 본 제품은 스위치를 끄기 위치로 설정해 능동 소음 제거 기능을 사용하지 않을 경우 스테레오 헤드폰으로 작동합니다 (플레이쓰루 기능).

## 기본 제공 부속품



- 착탈형 1.2m 헤드폰 케이블(도금한 3.5mm 스테레오 미니 플러그 포함)



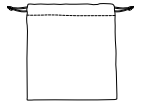
- 스마트폰용 착탈형 1.2m 헤드폰 케이블(인라인 컨트롤러/마이크로폰 유닛과 도금한 3.5mm 스테레오 미니 플러그 포함)



- 항공기 어댑터



- USB 충전 케이블



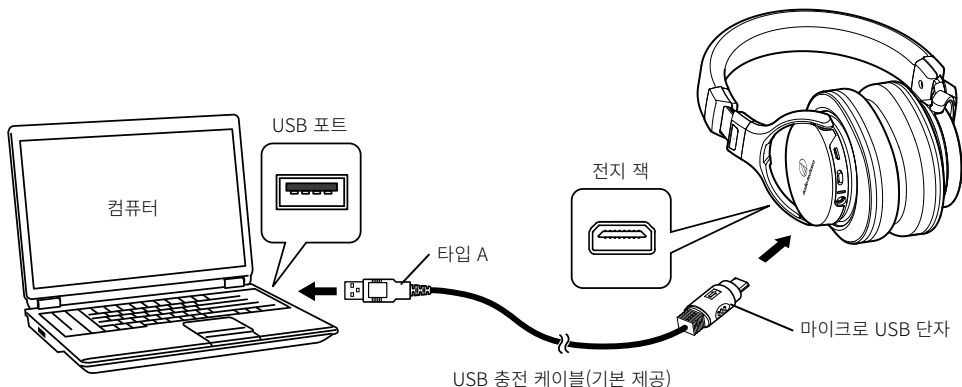
- 파우치

\* 항공기 장비의 잭은 표준 3.5mm 입력과 다를 수 있습니다. 필요한 경우 기본 제공 항공기 어댑터를 사용하십시오.



### 충전 방법

- 처음 사용할 경우 전지를 완전히 충전하십시오.
- 전지를 완전히 충전하려면 약4시간이 소요됩니다. (서비스 상태에 따라 다릅니다.)



1 기본 제공 USB 충전 케이블(마이크로 USB 단자 측)을 헤드폰의 전지 잭에 연결합니다.

\* 기본 제공 USB 충전 케이블은 본 제품을 충전할 수 있도록 특별히 설계되었습니다. 컴퓨터에서 또한 컴퓨터로 데이터를 전송할 수 없습니다.

2 기본 제공 USB 충전 케이블(타입 A 측)을 컴퓨터에 연결하여 충전을 시작합니다.

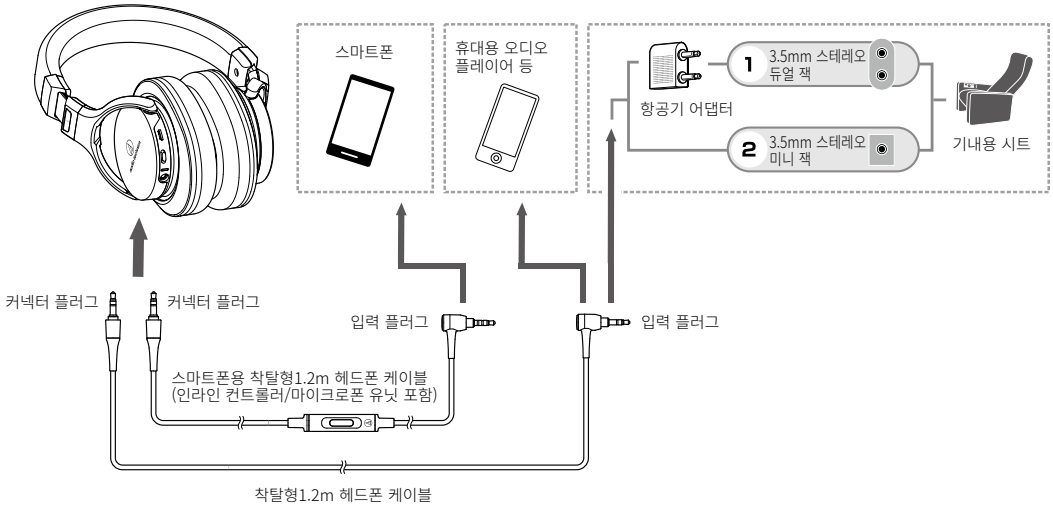
3 충전 중에는 표시기가 켜지거나 다음과 같이 깜박입니다.

표시기	충전 상태
빨간색으로 켜짐	충전 중
꺼짐	충전 완료 시
빨간색으로 깜박임	오류*

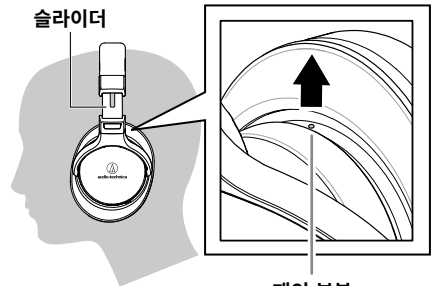
\* 충전 오류가 발생한 경우 장치에서 제품을 분리한 후 Audio-Technica 판매점에 문의하십시오.

# 헤드폰 사용

## 연결 방법



- 1 사용할 케이블을 선택하고 케이블의 플러그를 헤드폰의 입력 잭에 연결합니다.
  - \* 착탈형 케이블을 사용하기 전에 “커넥터 플러그”와 “입력 플러그”를 확인하십시오.
- 2 각 음향 장치의 볼륨을 최소화한 다음 “입력 플러그”를 헤드폰 단자에 연결합니다.
  - \* 기본 제공 항공기 어댑터를 사용해 일반 항공기 오디오 시스템에 연결합니다.
- 3 제품의 전원/ANC 스위치를 ON 위치로 옮기고 그림에 표시된 대로 조절형 슬라이더를 밀어 헤드밴드 길이를 조절하면서 “L”이라고 표시된 이어패드드를 왼쪽 귀에, “R”이라고 표시된 이어패드드를 오른쪽 귀에 착용합니다.
  - \* 제품이 안정적인 소음 제거 성능을 제공할 수 있게 패인 부분이 위로 향하도록 제품을 머리에 착용합니다.



- \* 표시기가 켜져 있는지 확인하십시오.

표시기 불빛 색상	상태
파란색	전원/ANC 스위치가 켜져 있는 경우
빨간색	충전 중
보라색	전원/ANC 스위치가 켜져 있고 충전 중인 경우

- 4 오디오 장치를 켜고 필요에 따라 볼륨을 조절합니다.

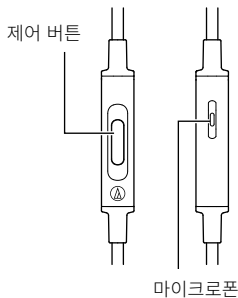
- \* 오디오 장치의 지침 설명서도 읽으십시오.

## 헤드폰 사용

5 헤드폰 사용을 마친 후에는 전원/ANC 스위치를 OFF 위치로 옮기고 1.2m 헤드폰 케이블을 헤드폰과 오디오 장치 또는 스마트폰에서 분리합니다.

- 오디오 없이 소음을 제거할 경우 헤드폰 케이블을 연결할 필요가 없습니다.
- 본 제품에는 제품의 전지가 나간 경우에도 스테레오 헤드폰으로 작동하고 휴대용 장치에서 음악을 재생할 수 있는 플레이스루 기능이 내장되어 있습니다(플레이스루 기능).
- 외부에서 재생 음향을 쉽게 들을 수 있어 제품의 품질 성능이 보장됩니다. 대중 교통 또는 기타 공공 장소에서는 다른 사람들에게 방해가 되지 않도록 볼륨을 낮게 유지하십시오.

### 스마트폰용 헤드폰 케이블 사용



음악/동영상 재생/일시정지  
전화 받기/종료

제어 버튼을 한 번 누릅니다.

- \* 일부 스마트폰은 음악/동영상 파일 재생 및 일시정지 기능을 지원하지 않습니다.
- \* Audio-Technica는 스마트폰 사용 방법에 대한 지원을 제공하지 않습니다.

## 청소

헤드폰의 수명이 오래 지속되도록 정기적으로 헤드폰을 청소하는 습관을 들이십시오. 청소 목적으로 알코올, 페인트 신나 또는 기타 용제를 사용하지 마십시오.

- 마른 천으로 본체를 닦아 헤드폰/마이크로폰이 포함된 리모컨을 청소하십시오.
- 사용 후에 땀이나 기타 오염물이 남아 있는 경우 마른 천으로 케이블을 닦으십시오. 오염된 케이블을 청소하지 않고 계속 사용할 경우 케이블 성능이 저하되고 경화되어 제품 고장이 발생할 수 있습니다.
- 케이블의 플러그가 오염된 경우 마른 천으로 닦으십시오. 플러그를 청소하지 않고 사용할 경우 사운드 건너뛰기 또는 왜곡이 발생할 수 있습니다.
- 이어패드와 헤드밴드를 청소하려면 마른 천으로 닦으십시오. 이어패드와 헤드밴드에 묻은 땀이나 물이 마를 경우 색이 바랄 수 있습니다. 이어패드와 헤드밴드가 젖은 경우 마른 천으로 닦은 후 그늘에서 말리는 것이 좋습니다.
- 장기간 보관할 경우 온도와 습도가 높지 않고 환기가 잘 되는 장소에 제품을 보관하십시오.
- 이어패드는 사용 및 보관으로 인해 시간이 지남에 따라 성능이 저하됩니다. 필요한 경우 교체하십시오. 이어패드 또는 기타 부품 교체에 대한 정보나 다른 서비스 가능 부품에 대한 정보는 Audio-Technica 판매점에 문의하십시오.

## 문제 해결

문제	해결 방법
주변 소음이 줄어들지 않습니다.	<ul style="list-style-type: none"><li>표시기가 켜져 있는지 확인하십시오. 전원/ANC 스위치를 껐을 때 표시기가 켜지지 않으면 전지를 충전하십시오.</li><li>헤드폰의 위치를 조정하십시오. 헤드폰을 귀에 잘못 착용했을 수 있습니다.</li><li>주변 소음이 소음 제거 주파수와의 동기화 범위에서 벗어났을 수 있습니다.</li></ul>
제품에서 럼블링 소음이 발생합니다.	<ul style="list-style-type: none"><li>디지털 앰프가 내장된 휴대용 오디오 플레이어와 같은 일부 장치에 연결할 경우 소음을 유발할 수 있습니다.</li><li>자동차, 버스 등에서 제품을 사용할 경우 도로 상태에 따라 소음을 유발할 수 있습니다.</li></ul>
울리는 사운드가 발생합니다.	<ul style="list-style-type: none"><li>헤드폰의 위치를 조정하십시오. 헤드폰을 귀에 잘못 착용했을 수 있습니다.</li><li>하우징의 패인 부분을 만지지 마십시오. 패인 부분을 만지거나 가리면 울리는 사운드가 날 수 있습니다.</li></ul>
사운드가 왜곡됩니다.	<ul style="list-style-type: none"><li>오디오/비디오 장비의 볼륨을 줄이십시오.</li><li>제품을 충전하십시오.</li></ul>
사운드가 뽕뽕거리고 떨립니다.	<ul style="list-style-type: none"><li>본 제품이 휴대폰 또는 근처의 컴퓨터 관련 장비에서 소음을 픽업했을 수 있습니다. 소음을 유발하는 장비를 제품에서 멀리 떨어뜨려 놓으십시오.</li></ul>
제품을 충전할 수 없습니다.	<ul style="list-style-type: none"><li>기본 제공 USB 충전 케이블을 단단히 연결하여 충전하십시오.</li></ul>

**헤드폰 구성품**

유형	밀폐형 다이내믹
드라이버	45mm
출력 음압 레벨	97dB/mW (PASSIVE), 104dB/mW (ACTIVE)
주파수 응답	5~40,000Hz
임피던스	30Ω (PASSIVE), 150Ω (ACTIVE)
입력 잭	3.5mm 스테레오 미니 잭
플러그	금도금한3.5mm 스테레오 미니 플러그, 금도금한3.5mm 스테레오 미니 플러그(4극 L자형)

**마이크로폰 구성품(스마트폰용 헤드폰 케이블)**

유형	일렉트레트 콘덴서
극 패턴	무지향성
감도	-40dB (1V/Pa, 1KHz에서)
주파수 응답	50~4,000Hz

**기타**

전원	DC3.7V 리튬 폴리머 전지
충전 시간	약4시간*
작동 시간	약30시간
중량	약305g(케이블 제외)
작동 온도	5°C~40°C
기본 제공 부속품	착탈형1.2m 헤드폰 케이블(금도금한3.5mm스테레오 미니 플러그 포함) 스마트폰용 착탈형1.2m 헤드폰 케이블(인라인 컨트롤러/마이크로폰 유닛과 금도금한3.5mm 스테레오 미니 플러그 포함) USB 충전 케이블 파우치 항공기 어댑터

\* 위 수치는 작동 조건에 따라 다릅니다.

(제품 개선을 위해 예고 없이 제품이 변경될 수 있습니다.)

# 说明

---

感谢您购买我们的产品。

在使用产品之前，请全文浏览这本用户手册以确保您将正确地使用本产品。此外，请将此手册常备手边以便在需要时方便参考。

本产品采用专属的有源抗噪技术，能在环境噪音较高的区域下提供一个舒适的聆听环境。本产品在每个听筒边都配有微型收音头，能够收集环境噪声（例如：交通，空气处理系统等等），并创造出声音消除信号以有效地阻隔噪音。

- 本产品的降噪功能主要是减少300赫兹或更低频率的噪音，这就意味着它对高于这个频率的噪声几乎没有影响（如电话铃声和人的嗓音）。
- 当在安静的地点使用或是被用于消除特定类型的噪音时，降噪功能的效果可能会有所限制。

**注意**

请在使用产品之前阅读这些注意。  
为了确保安全，使用产品时请注意全部警告和提醒。

- 如果在驾车时使用本产品请遵守有关使用移动电话和头戴式耳机的适用法律。
- 不要在因听不到声音而可能导致严重危险的环境下使用本产品（例如在铁路道口、火车站和建筑工地）。
- 为了防止损害您的听力，请勿将声音开得过高。长期听很大的声音可能会造成暂时或永久性的听力损伤。
- 如果因为直接 with 产品接触造成皮肤刺激，请勿继续使用。
- 在使用过程中如果您感到不适，请立即停止使用本产品。
- 请勿拆开，修改或尝试修理本产品。
- 小心别在外壳和耳挂之间夹到您自己。
- 为了确保兼容性和正确使用，在将与本产品相连之前，请随时查阅该设备的用户手册。
- 对于在使用本产品时发生的不可能事件所引起的数据丢失，鐵三角将不会以任何方式负责。
- 在公共交通系统或是其他公共场所，请保持声音较低以免打扰到其他人。
- 请在连接本产品之前将您的声音设备的音量最小化，以避免突然暴露在过大音量之下带来的听力损害。
- 在干燥环境之下使用本产品时，您可能会感觉到耳朵里有一种刺痛感。这是由您身体内积累的静电导致的，而非产品故障所致。
- 请勿使产品受到强烈冲击，以免发生触电，导致故障或引发火灾。
- 请勿用潮湿的手操作本产品，以免发生触电或导致故障。
- 如果您遇到本产品的任何故障如噪音、冒烟、气味、发热或损坏，请断开其与设备的连接。在这种情况下，请联系当地“鐵三角”经销商。
- 请勿在本产品中放置不相干的物质，如可燃材料，金属或液体。
- 请勿在使用或充电时用布覆盖本产品。
- 请勿在阳光直射下，加热装置附近或在炎热、潮湿或灰尘多的地方存放本产品。请勿使本产品受潮。
- 当本产品使用较长一段时间后，可能会因为紫外线（尤其是阳光直射）或磨损而褪色。
- 如果产品被放置在袋子或口袋里而没有足够的保护，附带的连接线可能会缠住或断掉。请务必将本产品存放在包装袋中。
- 接通 / 拔出附带的连接线时请握住插头。直接拉扯连接线可能会导致附带的连接线破损并引发触电的风险。
- 请勿将附带的连接线缠绕在您的播放设备上。这有可能会损坏附带的连接线以致其断裂。
- 本产品不能与一些便携音频播放器或其他配备有数字放大器的设备共同使用。
- 所包含的飞机适配器可能与某些类型的机舱设备不兼容。
- 当电子设备在飞机上禁止使用或是个人头戴式耳机及航班音频设备服务被禁止时，请勿使用本产品。
- 当连接本产品至其他非配备3.5毫米立体声耳机插孔的设备时，请确保购买合适的转换插头适配器。
- 本产品的延长线单独出售。

## 安全预防措施

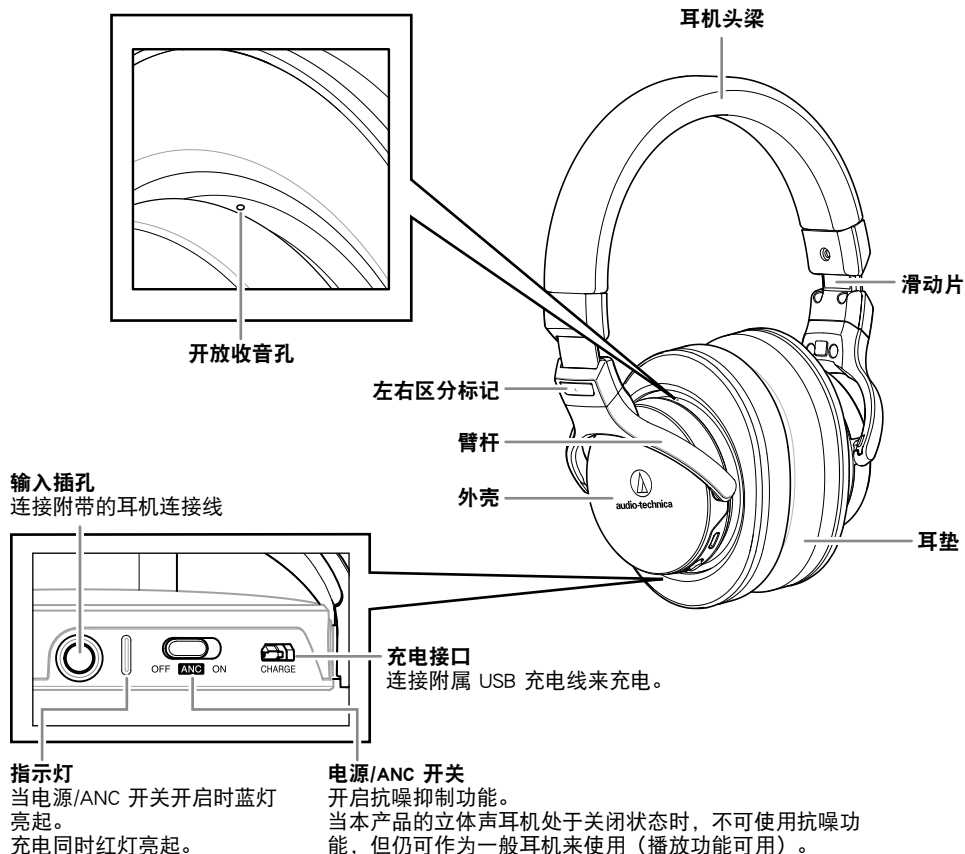
### 可充电电池注意事项

本产品配备有一块可充电电池（锂聚合物电池）。

- 如果电池液进入眼睛，请勿揉搓。应用洁净的水（如自来水）彻底冲洗并立即就医。
- 如果电池液泄漏，请勿用手接触液体。如果液体留在产品内，可能会导致故障。如果电池液泄漏，请联系当地“鐵三角”经销商。
  - 如果电池液进入您的口中，应用洁净的水（如自来水）反复漱洗并立即就医。
  - 如果您的皮肤或衣服沾到了液体，立即用水清洗受到影响的皮肤或衣服。如果您感到皮肤刺激，请就医。
- 请勿加热、拆卸或改装电池，也不要将其靠近火源。
- 不要试图用钉子刺穿，用锤子打或踩在电池上，以避免产生热量，造成损坏或引起燃烧。
- 请勿摔本产品或使之受到强烈撞击，以避免泄漏，产生热量会发生爆炸。
- 请勿使电池受潮，以避免产生热量，引起爆炸或燃烧。
- 请勿在下列场所使用，遗留或存放电池：
  - 暴露在阳光直射下或高温，潮湿的地区
  - 曝露在烈日下的车内
  - 靠近如热风调节器等热源
- 请仅使用随附 USB 线来充电，以避免出现故障或引发火灾。
- 使用完本产品后，确保其被关闭。通常泄漏的发生是由于不关闭本产品而导致电量耗尽。
- 为保护内置可充电电池，每半年至少充电一次。如果长时间不用，可能会缩短可充电电池的使用寿命或电池可能无法充电。
- 由于本产品经过优化设计，可提供稳定的抗噪效果，因此其结构不允许在购买后对内置充电电池进行更换。如尽管电池已充满但使用的时间却变短，或者在充了4个小时之后，电仍未充满，表明电池的使用寿命可能已经到期。在这种情况下，请联系当地“鐵三角”经销商。



## 结构名称及功能



## 附带配件



- 可拆卸1.2米耳机线，配有3.5毫米镀金立体声迷你型插头连接线



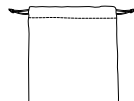
- 可拆卸1.2米智能手机耳机连接线，配有线控/话筒装置和镀金3.5毫米立体声迷你插头



- 飞机适配器



- USB 充电线



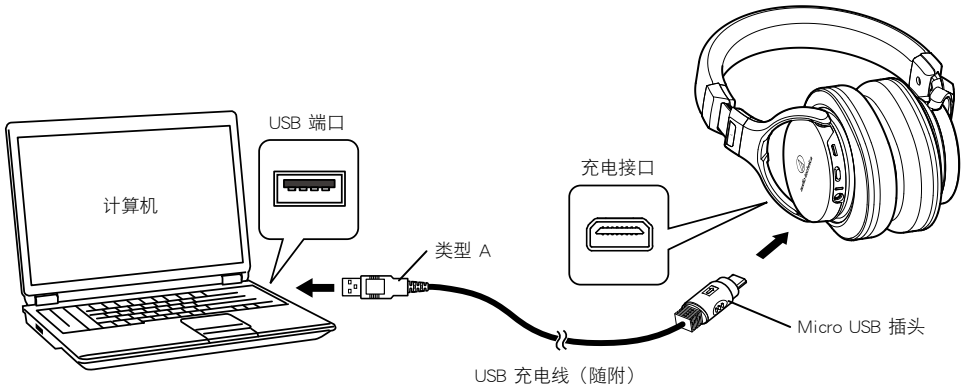
- 收纳袋

\* 机舱音响设备上的插孔可能会与标准的3.5毫米输入口有所不同。在必要时请使用附带的飞机适配器。

# 使用耳机

## 如何充电

- 第一次使用时请将电池充满。
- 将电池充满大约需要4小时。（根据使用环境条件的不同而有所差异。）



1 把附带的USB充电线（Micro USB 插头端）连接至耳机的充电接口。

\* 附带的 USB 充电线是专为本产品充电所设计的。无法用于耳机和电脑之间的数据传输。

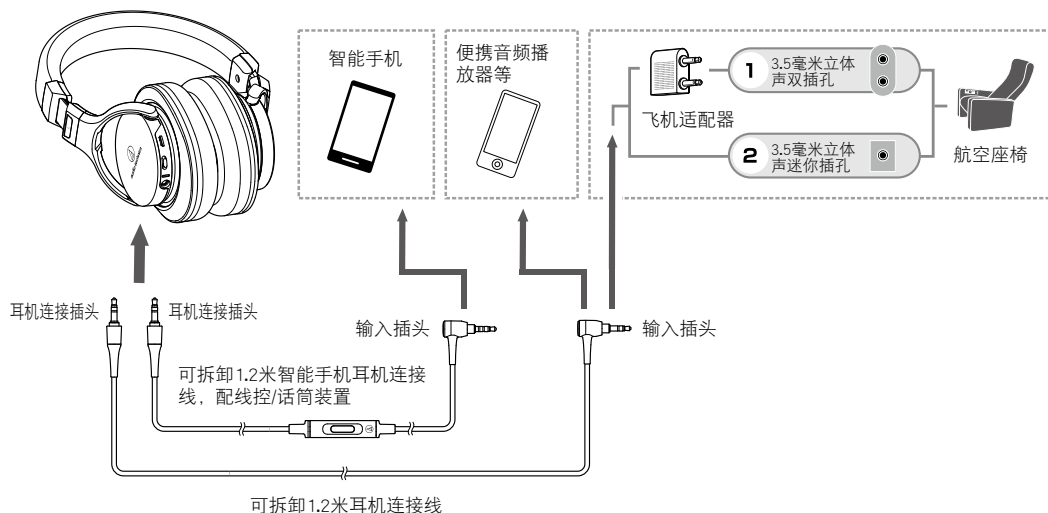
2 连接附带的 USB 充电线（A型插头端）至计算机并开始充电。

3 充电期间，指示灯会亮起或出现以下闪烁状态：

指示灯	充电状态
红灯亮起	正在充电
关闭	充电完成
红灯闪烁	充电故障*

\* 万一发生充电故障，请将本产品从您的设备拔出，并联系当地“鐵三角”经销商。

## 如何连接



1 选择您需要使用的连接线，再把该线的耳机连接插头插入耳机的输入插孔。

\* 在使用可拆分连接线之前，请辨别“耳机连接插头”和“输入插头”。

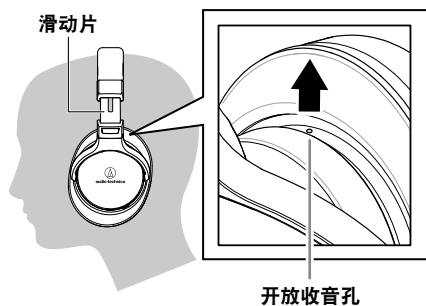
2 把音响设备的音量调至最低，然后连接“输入插头”至耳机。

\* 使用所含的飞机适配器来连接至传统的航机音响系统。

3 本产品上的电源/ANC开关推至开启位置，并区分开耳垫上的左耳端“L”和右耳端“R”标识来正确使用耳机，通过滑动可调式滑动片来调节头戴型耳罩的长度。

\* 将本产品放置您的头部，将开口部分朝上，这样产品可提供稳定的抗噪效果。

\* 确保指示灯开启。



指示灯亮起	状态
蓝色	电源/ANC 开启
红色	正在充电
紫色	电源/ANC 开启并充电

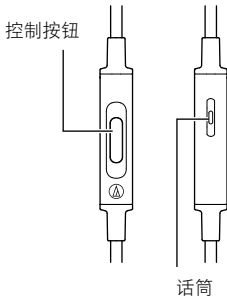
4 开启您的音频设备并根据需要调节音量。

\* 请同样阅读音频设备的使用说明书。

## 使用耳机

- 5 在您使用完耳机之后，请确电源/ANC 开关推至关闭位置，并且从耳机和音频设备或智能手机上拆下1.2米的耳机线。
- 在只需要环境降噪而不收听音乐时，可以不用连接耳机线。
  - 本产品即使在电池电量耗尽时，仍具有播放功能，可连接便携播装置作一般立体声耳机使用（播放功能）。
  - 为确保耳机的优质降噪效能，在耳机外侧仍可听到播放的声音。所以在乘坐公共交通移动过程中或其他公共场所时，请调低音量以免打扰他人。

### 使用智能手机耳机连接线



音乐/电影的重放/暂停  
接听/挂掉电话

立即按下控制按钮。

- \* 部分智能手机不支持音乐/视频文件的重放和暂停功能。
- \* 鐵三角不提供对如何使用智能手机的支持。

## 清洁

养成定期清洁您的耳机的习惯，以确保耳机可长期使用。请勿使用酒精，油漆稀释剂或其他溶剂来清洁耳机。

- 用一块干布擦拭主装置以清洁头戴式耳机/远程控制话筒。
- 连接线在使用之后如有汗渍或其他污垢，请用干布擦拭。继续使用不干净连接线将使其变坏变硬，导致产品故障。
- 如果发现连接线的插头有污垢，请用干布擦拭。使用未清洁的插头会造成断声或失真。
- 用一块干布擦拭以清洁耳垫和耳机头梁垫。如果汗或水在上面干掉，耳垫和耳机头梁垫可能会褪色。如果耳垫和耳机头梁垫受潮，我们建议您用一块干布擦拭它们，并让它们在阴凉处晾干。
- 针对长期储存，请将本产品放在一个通风良好，远离高温潮湿的地方。
- 耳垫长期使用后会出现破损。请在必要时更换。关于更换耳垫或其他零件的信息，或是关于其他可服务零件的信息，请联系当地“鐵三角”经销商。

## 故障排解

问题	解决措施
环境噪声没有减少。	<ul style="list-style-type: none"><li>• 确保指示灯开启。当电源/ANC 开关开启时，如果指示灯不亮，请为电池充电。</li><li>• 调整耳机头梁的位置。耳机头梁可能会被错误地配戴在耳边。</li><li>• 环境噪声可能会与降噪频率不相符。</li></ul>
产品会产生隆隆的噪音。	<ul style="list-style-type: none"><li>• 连接至配备有数字放大器的便携音频播放器等设备，会导致噪音。</li><li>• 取决于道路条件，在汽车，公交车等上使用本产品可能导致噪音。</li></ul>
造成啸叫声。	<ul style="list-style-type: none"><li>• 调整耳机头梁的位置。耳机头梁可能会被错误地配戴在耳边。</li><li>• 请勿触摸外壳上的开放收音孔。触摸或覆盖开放收音孔会造成啸叫声。</li></ul>
声音变得失真。	<ul style="list-style-type: none"><li>• 调低音频/视频设备的音量。</li><li>• 为产品充电。</li></ul>
听到嗡嗡声和颤抖声。	<ul style="list-style-type: none"><li>• 产品可能会收集到一些来自手机或与附近计算机有关设备的噪音。使造成噪音的设备远离本产品。</li></ul>
产品无法充电。	<ul style="list-style-type: none"><li>• 确认USB充电线没有松脱后再尝试充电。</li></ul>

# 规格

## 耳机组件

类型	密闭式动圈型
驱动	45毫米
输出声压等级	97dB/mW（无源），104dB/mW（有源）
频率响应	5~40,000Hz
阻抗	30ohm（无源），150ohm（有源）
输入插孔	3.5毫米立体声迷你插孔
插头	镀金3.5毫米立体声迷你插头，镀金3.5毫米立体声迷你插头（4-级I型）

## 话筒组件（智能手机耳机连接线）

类型	驻极体电容式
指向性	全方位
灵敏度	-40dB（1KHz下为1V/Pa）
频率响应	50~4,000Hz

## 其他

电源	DC3.7V聚合物锂电池
充电时间	大约4小时*
工作时间	大约30小时
重量	大约305g（不包括连接线）
工作温度	5°C~40°C
附带配件	可拆卸1.2米耳机线，配有3.5毫米镀金立体声迷你型插头连接线 可拆卸1.2米智能手机耳机连接线，配有线控/话筒装置和镀金3.5毫米立体声迷你插头 USB 充电线 收纳袋 飞机适配器

\* 上述指标会因使用条件而有差异。

（本产品的性能在不断改进中，如有变更，恕不另行通知。）

## 說明

感謝您購買本商品。

使用前，請務必詳閱本使用說明書，確保以正確的方式使用本產品。詳閱後，將其保管於隨時都能查閱的地方以便隨時參考。

本產品採用專有的主動式抗噪技術，以在嘈雜的環境下提供舒適的聆聽環境。本產品在兩側機體內配有微型麥克風，能夠收集環境噪音（例如：交通，空調系統等等），並創造出逆相位的消除訊號，以有效降低噪音。

- 本產品的抗噪功能主要針對300Hz或更低頻率的噪音，因此對高於此頻率的聲音幾乎沒有影響（如電話鈴聲和人的噪音）。
- 當在安靜地點使用；或使用於消除特定類型噪音時，抗噪效果有可能不顯著。

## 安全上的注意事項

### 注意

本產品之安全性皆經過充分考量而設計，使用方法錯誤時可能會造成事故發生。為防範事故於未然，請務必遵守下記事項。

- 若在駕駛時使用本產品，請遵循相關法律規定。
- 請勿在無法聽到環境噪音將導致嚴重危險的地方使用本產品（例如在鐵路交叉口、火車站和建築工地）。
- 為了防止損害您的聽力，請勿以過高音量使用。長期以過大音量聆聽，可能造成暫時或永久性的聽力損害。
- 若因與產品的直接接觸，造成皮膚出現過敏現象時，請勿繼續使用。
- 若在使用過程中感到不適，請立即停止使用本產品。
- 請勿拆解，改造或試圖自行修理本產品。
- 請留意勿讓身體部位被夾入本產品機殼與支臂的間隙，以免受傷。
- 為了確保相容性和正確使用，在將設備與本產品連接之前，請詳閱該設備的使用說明書。
- 使用本產品時，若發生連接裝置之儲存記憶消失等情形，本公司恕不負擔任何責任。
- 搭乘公共交通工具或處於其他公共場所時，請注意音量，避免造成他人困擾。
- 連接本產品之前，請將欲連接設備之音量調至最低，以免突然的過大音量造成聽力損害。
- 在乾燥環境下使用本產品時，耳朵可能會有若干針刺感，此為人體或連結器材上積蓄之靜電所造成，並非產品故障。
- 請勿使產品受到強烈衝擊，以免發生觸電，導致故障或引發火災。
- 請勿用潮濕的手操作本產品，以免發生觸電或導致故障。
- 若發覺本產品有任何異常狀況如聲音、煙霧、氣味，或是發熱、破損等情形時，請勿繼續使用，請聯繫所在地的「鐵三角」經銷商。
- 請勿將如易燃物、金屬、液體等異物混入本產品中。
- 請勿在使用或充電時以布料織品等包覆本產品。
- 請勿將本產品放置於日照直射處、暖氣設備附近，高溫多濕或多塵的場所，也請多加注意以免產品受潮。
- 本產品於使用一段時間後，有可能因為紫外線（尤其是陽光直射）或磨損而發生褪色情況。
- 請將本產品放進隨附之攜存袋中后再放置於背包或口袋中，以免隨附之導線因拉扯而破損。
- 請握住插頭部分插拔隨附之導線，直接拉扯有可能會使隨附之導線破損，導致觸電。
- 請勿將隨附之導線纏繞在所連接之裝置上，以免隨附之導線出現破損。
- 本產品可能無法在部分便攜型播放器或其他配備有數位擴大機的設備上使用。
- 本產品內附的飛機轉接頭，可能不相容於某些類型的飛機設備。
- 當飛機上禁止使用電子設備；或航班音訊設備服務、個人耳機被禁止使用時，請勿使用本產品。
- 欲將本產品連接至其他非使用3.5mm立體聲耳機插頭的設備時，請自行購買適用的轉接插頭。
- 本產品有另售之延長線可供選購。



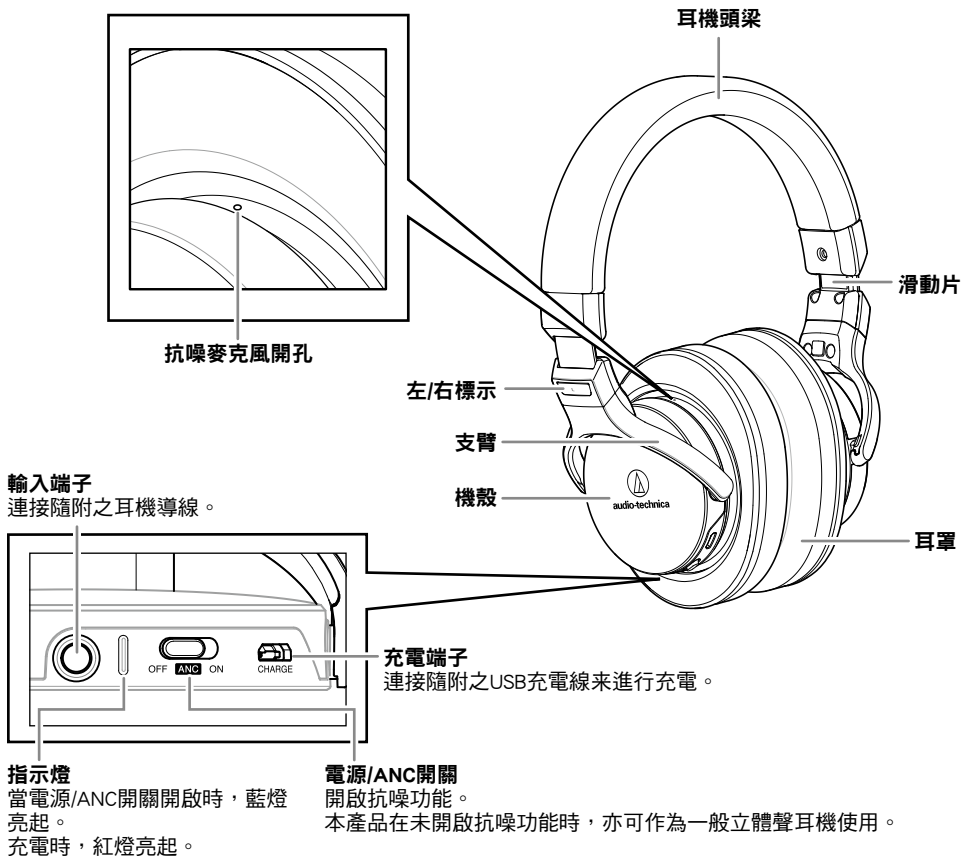
## 安全上的注意事項

### 充電電池注意事項

本產品配備有一只充電電池（鋰聚合物電池）。

- 電池液不慎誤入眼睛時，請勿搓揉眼睛。應立刻以清水（自來水等）充分沖洗，並儘速就醫診療。
- 電池液外漏時，請勿直接用手接觸液體。液體若殘留於本產品內部，將導致故障，若有此類電池漏液情況發生，請聯繫所在地的「鐵三角」經銷商。
  - 若不慎誤食電池液，請立刻以清水（自來水等）充分漱洗，並儘速就醫診療。
  - 若電池液附着於皮膚或衣類，請立刻以清水沖洗。若皮膚感到任何不適，請儘速就醫診療。
- 請勿擅自加熱、分解、改造電池，或以焚燒方式來處理它。
- 請勿以釘子刺插、以鐵鎚敲打或踩踏電池，以免導致發熱、破損或起火。
- 請勿使電池摔落，或施以強力衝擊，以免導致漏液、發熱或破裂。
- 請勿使電池受潮，以免導致發熱，引起爆炸或燃燒。
- 請勿於以下場所使用、放置或儲存電池：
  - 日照直射、高溫多溼處
  - 烈日直射下的車內
  - 暖爐等熱源附近
- 請僅使用隨附USB線進行充電，以免導致故障或起火。
- 使用完畢後請務必關閉電源。以免電池過度消耗，造成漏液情況發生。
- 為了保護內建的可充電電池，每半年至少進行一次充電。若太久未充電，可充電電池壽命將縮短或電池無法再進行充電。
- 本產品以獨特的結構提供穩定抗噪效果，因此無法更換內建電池。若在充滿電後電池可持續使用時間明顯不足，或在充電4小時後仍無法完成充電，代表電池壽命已盡。此時，請聯繫當地「鐵三角」經銷商，以進行產品維修更換。

## 結構名稱及其功能



### 附屬零配件



- 可拆卸式1.2m導線，帶3.5mm立體聲迷你鍍金插頭



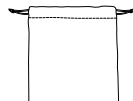
- 可拆卸式1.2m智慧型手機用導線，帶線控／話筒裝置和3.5mm立體聲迷你鍍金插頭



- 飛機音訊設備轉接插頭



- USB充電線

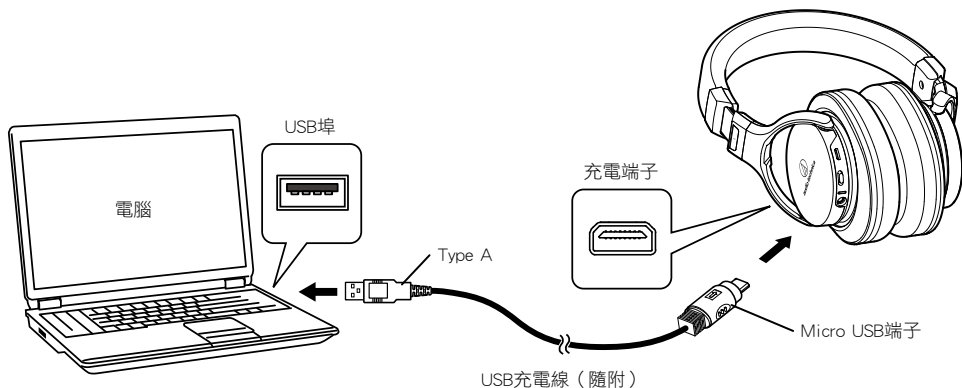


- 攜存袋

\* 機內音訊設備的插座可能並非標準的3.5mm插座，有需要時請使用隨附之飛機音訊設備轉接插頭。

### 如何充電

- 第一次使用時，請先為電池充滿電。
- 充滿電所需之充電時間約 4 個小時（依實際使用狀況會有所差異）。



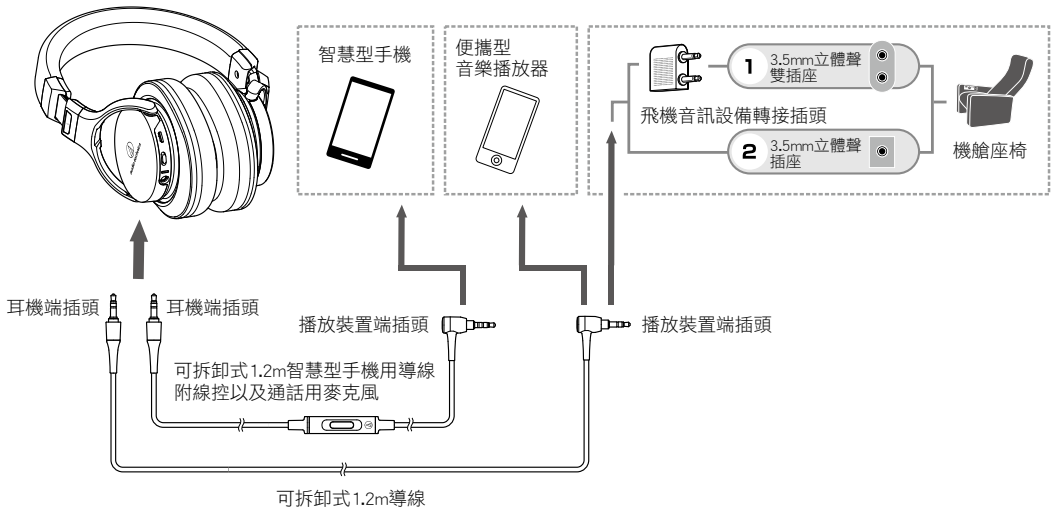
- 1 將隨附USB充電線（Micro USB端子）連接至耳機的充電端子。  
\* 隨附USB充電線是專為本產品充電所設計，不支援資料傳輸。
- 2 將隨附USB充電線之Type A側連接至電腦，開始充電。
- 3 充電期間，指示燈變化如下：

指示燈	充電狀態
紅燈亮起	充電
關閉	完成
紅燈閃爍	錯誤*

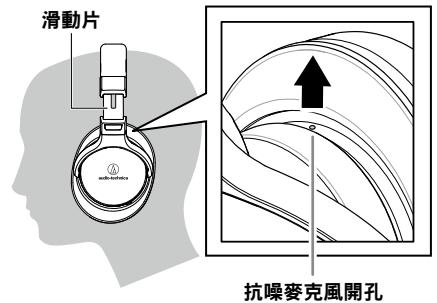
\* 發生充電故障時，請立即將本產品從您的裝置中拔出，並聯繫當地“鐵三角”經銷商。

# 使用方法

## 連接方法



- 1 選擇您想使用的耳機導線，並將耳機端插頭插入耳機的3.5mm插座。  
\* 在連接耳機與播放裝置之前，請辨別「耳機端插頭」和「播放裝置端插頭」。
- 2 將欲連接之播放裝置的音量調至最低，然後將「播放器端插頭」連接至播放裝置。  
\* 請使用隨附的飛機轉接插頭，將導線連接至傳統類型的航空音訊系統。
- 3 開啟本產品的電源/ANC 開關，並將耳機上標示「L」的一側戴至左耳，標示「R」的一側戴至右耳，如圖所示，通過滑動可調式滑動片來調節耳機頭梁的長度。  
\* 以抗噪麥克風開孔朝上狀態將耳機戴上，可享有穩定的抗噪效果。



- \* 請確認指示燈是否開啟。

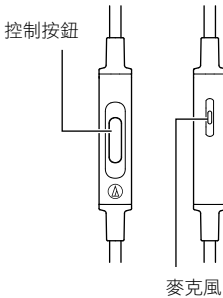
指示燈亮起	狀態
藍色	電源/ANC 開關開啟
紅色	充電
紫色	電源/ANC 開關開啟並充電

- 4 開啟您的播放裝置，並視需要調節音量。  
\* 請閱讀播放裝置的使用說明書。

# 使用方法

- 5 不再使用耳機時，請確保電源/ANC開關已關閉，並將耳機導線從耳機與播放裝置上卸除。
- 若只想使用抗噪功能，不聆聽音樂，則無需連接耳機導線。
  - 本產品搭載直通聆賞功能，即使電池電量耗盡，無法開啟抗噪功能，亦可作為一般立體聲耳機來聆聽音樂。
  - 本產品為了確保音質表現，設計上於外側亦可清楚聽見播放音，於公共交通系統或其他公共場所使用時，請注意音量以免對他人造成困擾。

## 智慧型手機用導線操作說明



音樂/電影的重放/暫停  
接聽/掛掉電話

按押一次控制按鈕。

- \* 部分智慧型手機可能不支援影音檔案的播放與暫停操作功能。
- \* 鐵三角不提供智慧型手機的操作說明服務。

## 清潔保養方法

為了能夠長久使用，請以良好方式定期清潔耳機。  
清潔保養時，請勿使用酒精、油漆稀釋劑或其他有機溶劑。

- 請以清潔的乾布擦拭耳機本體、導線，以及控制器。
- 使用後若有汗水或其他髒污，請以清潔的乾布擦拭。在髒污狀態下持續使用，將使導線劣化，導致產品故障。
- 插頭若有髒污，請以清潔的乾布擦拭。在髒污狀態下持續使用，將使插頭劣化，導致接觸不良或音樂失真。
- 請以清潔的乾布擦拭耳罩和頭帶。若不擦拭汗水而留下汗漬，可能導致耳罩、頭帶褪色。如果受潮，建議用乾布擦拭去除污垢後在陰涼處風乾。
- 長期不使用時，請避開高溫、潮濕處，存放於通風良好的地方。
- 耳罩與頭帶為消耗品，可能因保存或使用情況而劣化。發現劣化時請提早更換。耳罩的更換或其他部分的維修，請洽詢購入店家或本公司客服中心。

## 故障排除

問題	解決措施
環境噪音沒有降低。	<ul style="list-style-type: none"><li>請確認指示燈是否開啟。當電源/ANC開關開啟時，如果指示燈並未亮起，請為電池充電。</li><li>請調整耳機的佩戴位置，確認是否以正確方式佩戴耳機。</li><li>環境噪音的頻率可能不在抗噪功能的頻段內。</li></ul>
產品發出隆隆聲響。	<ul style="list-style-type: none"><li>連接至內建數位擴大機的播放裝置可能會導致噪音聲響發生。</li><li>取決於道路狀況，在汽車，公車內使用本產品時，可能導致噪音聲響發生。</li></ul>
產品出現回授聲響。	<ul style="list-style-type: none"><li>請調整耳機的佩戴位置，確認是否以正確方式佩戴耳機。</li><li>請勿觸摸機殼上的開放部位。觸摸開放部位可能造成回授發生。</li></ul>
產品發生破音或失真。	<ul style="list-style-type: none"><li>請降低播放裝置的音量。</li><li>請為產品充電。</li></ul>
產品發生嗡嗡聲或不規則噪音。	<ul style="list-style-type: none"><li>產品可能吸附來自手機或電腦一類設備的雜訊。請將該類設備遠離本產品。</li></ul>
無法為產品充電。	<ul style="list-style-type: none"><li>請確實連接隨附之USB充電線，進行充電。</li></ul>

## 產品規格

## 耳機

型式	密閉式動圈型
驅動單元	45mm
輸出感度	97dB/mW (被動式) / 104dB/mW (主動式)
頻率響應	5~40,000Hz
阻抗	30Ω (被動式) / 150Ω (主動式)
音訊輸入端口	3.5mm立體聲迷你插孔
插頭	3.5mm立體聲迷你鍍金插頭，3.5mm立體聲迷你鍍金插頭 (4-級/L型)

## 麥克風 (智慧型手機用導線)

型式	駐極體電容型
指向特性	全指向性
感度	-40dB (1V/Pa、at 1kHz)
頻率響應	50~4,000Hz

## 其他

電源	DC3.7V鋰聚合物電池 (內建)
充電時間	約4小時*
電力持續時間	約30小時
重量	約305g (不含導線)
工作溫度	5°C~40°C
附屬零配件	可拆卸式1.2m導線，帶3.5mm立體聲迷你鍍金插頭 可拆卸式1.2m智慧型手機用導線，帶線控/話筒裝置和3.5mm立體聲迷你鍍金插頭 USB充電線 攜存袋 飛機音訊設備轉接插頭

\* 依使用條件而異。

(因改良而有所變更時，恕不另行告知)



此标志适用于在中国销售的电子信息产品，《电子信息产品污染控制管理办法》以及SI/T11364《电子信息产品污染控制标识要求》。表示该产品在使用完结后可再利用。数字表示的是环境保护使用期限，只要遵守与本产品有关的安全和使用上的注意事项，从制造日算起在数字所表示的年限内，产品不会产生环境污染和对人体、财产的影响。  
 电池等附属品和产品一同包装的，产品和附属品的环保使用期限可能不同。  
 产品适当使用后报废的方法请遵照从电子信息产品的回收、再利用相关法令。详细请咨询各级政府主管部门。

## 产品中所含有毒有害物质或元素的名称及含量

部件名称 (大体分类)	有毒有害物质或元素					
	铅 (Pb)	水银 (Hg)	镉 (Cd)	六价铬 (CrVI)	多溴联苯 (PBB)	多溴二苯醚 (PBDE)
机体 (金属部件)	×	○	○	○	○	○
实装基板/电气部件	×	○	○	○	○	○
缆线类	×	○	○	○	○	○
备注						
○：表示该有毒有害物质在该部件所有均质材料中的含量均在GB/T26572标准规定的限量要求以下。						
×：表示该有毒有害物质至少在在该部件的某一均质材料中的含量超出GB/T26572标准规定的限量要求。						
因为在当代技术下还没有可替代的物质。						

### English

This explanation is a guidance concerned with the environmental laws and regulations of the People's Republic of China. The printed information as well as the list of contained materials conform with the standard values established by the related laws and regulations of the People's Republic of China, and does not apply to other Restrictions of Hazardous Substances including Europe's RoHS directive.

### Deutsch

Diese Erklärung ist eine Anleiheung, die sich mit den Umweltgesetzen und -regelungen der Volksrepublik China befasst. Die gedruckten Informationen, sowie die Liste der enthaltenen Materialien stimmen mit den Vorgabewerten, die durch die zugehörigen Gesetze und Regelungen der Volksrepublik China eingeführt wurden, überein. Sie treffen nicht auf andere umweltbezogene Regelungen inklusive der Europäischen RoHS-Richtlinie zu.

### Français

Ceci est un guide concernant les lois et l'ensemble des réglementations de la République populaire de Chine sur l'environnement. Les informations ci-dessus ainsi que la liste des produits spécifiés sont conformes aux normes établies par les lois et les règlements en vigueur en République populaire de Chine, et ne s'appliquent pas aux autres restrictions sur les substances dangereuses ni à la directive RoHS de l'Union Européenne.

### Español

Esta explicación es un consejo con respecto a las leyes medioambientales y regulaciones de la República Popular China. La información impresa así como la lista de materiales contenidos están conformes con los valores estándar establecidos por las leyes y regulaciones relacionadas de la República Popular China, y no se aplica a otras Restricciones de Sustancias Peligrosas incluyendo la directriz RoHS de Europa.

### Portugués

Esta explicação é uma orientação relacionada com leis e regulamentos ambientais da República Popular da China. As informações impressas, bem como a lista dos materiais incluídos com os valores padrão estabelecidos pelas leis e regulamentações da República Popular da China e não se aplica a outras restrições relacionadas com substâncias perigosas, incluindo a diretiva RoHS europeia.

### Italiano

Questa spiegazione è una guida relativa alle leggi ed ai regolamenti ambientali della Repubblica Popolare Cinese. Le informazioni stampate, nonché la lista dei materiali contenuti, sono conformi ai valori standard stabiliti dalle relative leggi e regolamentazioni della Repubblica Popolare Cinese, e non sono applicabili ad altre Restrizioni di Sostanze Nocive, inclusa la direttiva Europea RoHS.

### Nederlands

Dere uitleg is een advies met betrekking tot de milieu wetten en regelgeving van de Volksrepubliek China. Zowel de gedrukte informatie als de inhoudslijst van materialen beantwoorden aan de standaard waarden tot stand gekomen door de van toepassing zijnde wetten en regels van de Volksrepubliek China en gelden niet voor andere beperkingen van risikante substanties inclusief de Europese RoHS richtlijn.

### Dansk

Denne forklaring er en vejledning omhandlende Folkerepublikken Kinas miljømæssige love og bestemmelser. Både de trykte oplysninger og de indholdte materialer er i overensstemmelse med standardværdierne, som er blevet etableret af Folkerepublikken Kinas relaterede love og bestemmelser, og gælder ikke andre restriktioner for farlige stoffer inklusiv Europas RoHS direktiv.

### Svenska

Den här förklaringen är en vägledning gällande kinesiska miljölagar. Informationen och materialistan överensstämmer med standardvärdena i de kinesiska miljölagarna, och tillämpas inte av andra restriktioner för farliga ämnen, såsom det europeiska RoHS-direktivet.

### Język polski

Wyjaśnienie to jest poradnik, dotyczący praw ochrony środowiska i regulacji Chińskiej Republiki Ludowej. Wydrukowana informacja jak również lista zawartych materiałów potwierdza zgodność z standardowymi wartościami, odczasownianymi przez właściwe prawa i regulacje Chińskiej Republiki Ludowej, a nie mogą być one stosowane do restrykcji o niebezpiecznych substancjach, łącznie do dyrektywy UE o RoHS.

### Русский

Это пояснение является руководством, связанным с экологическими законами и инструкциями Народной Республики Китай. Печатная информация, также как список содержащихся материалов соответствуют стандартным значениям, установленным соответствующими законами и инструкциями Народной Республики Китай и не применяется к другим Ограничениям Опасных Веществ, включая директиву Евросоюза RoHS.

### Suomi

Tämä selitys on Kiinan kansantasavallan ympäristötähtäihin ja asetuksiin liittyvä ohje. Painetut tiedot samoin kuin sisältyvien materiaalien lista noudattavat standardiarvoja, jotka on määrittänyt Kiinan kansantasavallan vastaavissa laeissa ja asetuksissa eivätkä päde muihin vaarallisten aineiden käyttöä rajoittaviin asetuksiin mukaan luettuna Euroopan RoHS-direktiivi.

### 한국어

이 설명문은 중화인민공화국의 환경법 규정에 관한 안내입니다. 기재 내용 및 물질 함유의 표시는 중화인민공화국의 관련 법규에 규정된 기준에 대한 적합 여부를 나타내며, 유럽 연합의 RoHS지령을 포함한 다른 유해물질 사용제한규제에는 적용되지 않습니다.





# Memo

---

A series of horizontal dotted lines for writing.





**Audio-Technica Corp.**

2-46-1 Nishi-naruse, Machida, Tokyo 194-8666

©2016 Audio-Technica Corp.

● **Global Support Contact:** [www.at-globalsupport.com](http://www.at-globalsupport.com)

**中国大陆客户联系资料**

代理商：广州市德讯贸易有限公司

地址：广州市越秀区中山二路31号鸿瑞大厦908室

电话：+86 (0)20 - 37619291

生产标准：GB8898-2011, GB13837-2012

原产地：中国东莞市 出版日期：2016年 3月

**香港及澳門地區客戶聯絡資料**

總代理：鐵三角(大中華)有限公司

地址：香港九龍紅磡民裕街51號凱旋工商中心第二期9樓K室

電話：+852 - 23569268

**台灣地區客戶聯絡資料**

進口廠商：台灣鐵三角股份有限公司

地址：32050 桃園市中壢區過嶺里福達路二段322巷6號

服務專線：0800 - 774488

原产地：中國东莞市