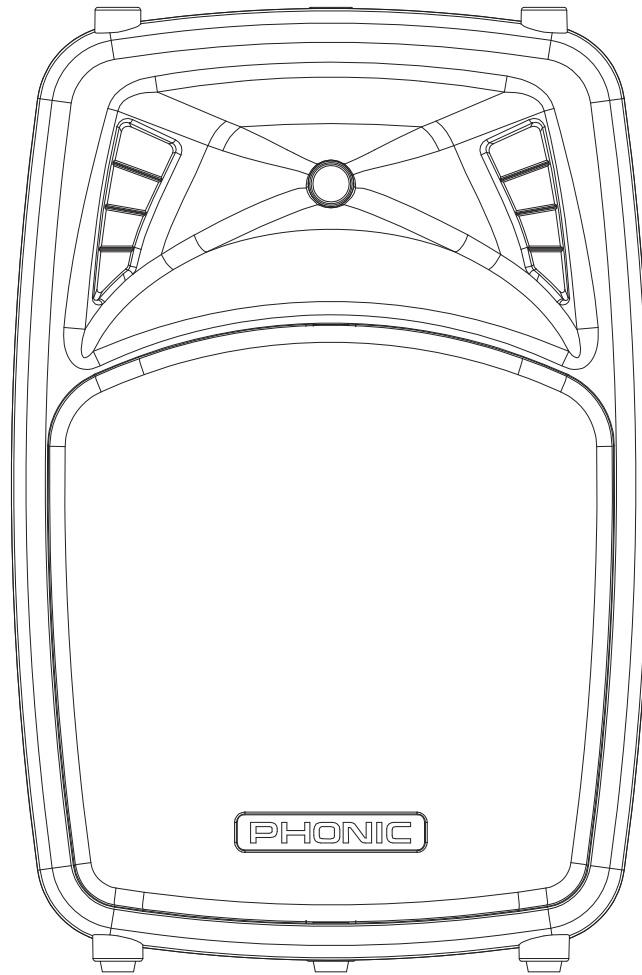


# PHONIC



WWW.PHONIC.COM

**JUBI 12A LITE**  
**JUBI 15A LITE**

- User's Manual
- Manual de Usuario

# JUBI 12A LITE

# JUBI 15A LITE

2-WAY ACTIVE LOUDSPEAKERS



**ENGLISH** .....I  
**ESPAÑOL** .....II  
**APPENDIX** .....III

# USER'S MANUAL

## CONTENTS

INTRODUCTION.....	1
FEATURES.....	1
APPLICATION.....	1
PLAYBACK.....	1
RECORD.....	1
SYSTEM OVERVIEW.....	2
SPECIFICATIONS.....	3
<b>APPENDIX</b>	
DIMENSIONS.....	1

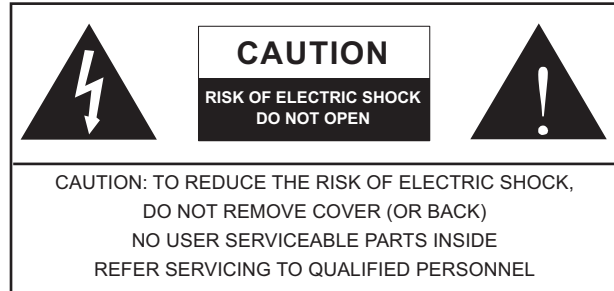
Phonic preserves the right to improve or alter any information within this document without prior notice.

## IMPORTANT SAFETY INSTRUCTIONS

The apparatus shall not be exposed to dripping or splashing and that no objects filled with liquids, such as vases, shall be placed on the apparatus. The MAINS plug is used as the disconnect device, the disconnect device shall remain readily operable.

**Warning:** the user shall not place this apparatus in the confined area during the operation so that the mains switch can be easily accessible.

1. Read these instructions before operating this apparatus.
2. Keep these instructions for future reference.
3. Heed all warnings to ensure safe operation.
4. Follow all instructions provided in this document.
5. Do not use this apparatus near water or in locations where condensation may occur.
6. Clean only with dry cloth. Do not use aerosol or liquid cleaners. Unplug this apparatus before cleaning.
7. Do not block any of the ventilation openings. Install in accordance with the manufacturer's instructions.
8. Do not install near any heat sources such as radiators, heat registers, stoves, or other apparatus (including amplifiers) that produce heat.
9. Do not defeat the safety purpose of the polarized or grounding-type plug. A polarized plug has two blades with one wider than the other. A grounding type plug has two blades and a third grounding prong. The wide blade or the third prong is provided for your safety. If the provided plug does not fit into your outlet, consult an electrician for replacement of the obsolete outlet.
10. Protect the power cord from being walked on or pinched particularly at plug, convenience receptacles, and the point where they exit from the apparatus.
11. Only use attachments/accessories specified by the manufacturer.
12. Use only with a cart, stand, tripod, bracket, or table specified by the manufacturer, or sold with the apparatus. When a cart is used, use caution when moving the cart/apparatus combination to avoid injury from tip-over.
13. Unplug this apparatus during lightning storms or when unused for long periods of time.
14. Refer all servicing to qualified service personnel. Servicing is required when the apparatus has been damaged in any way, such as power-supply cord or plug is damaged, liquid has been spilled or objects have fallen into the apparatus, the apparatus has been exposed to rain or moisture, does not operate normally, or has been dropped.



The lightning flash with arrowhead symbol, within an equilateral triangle, is intended to alert the user to the presence of uninsulated "dangerous voltage" within the product's enclosure that may be of sufficient magnitude to constitute a risk of electric shock to persons.



The exclamation point within an equilateral triangle is intended to alert the user to the presence of important operating and maintenance (servicing) instructions in the literature accompanying the appliance.

**WARNING:** To reduce the risk of fire or electric shock, do not expose this apparatus to rain or moisture.

**CAUTION:** Use of controls or adjustments or performance of procedures other than those specified may result in hazardous radiation exposure.



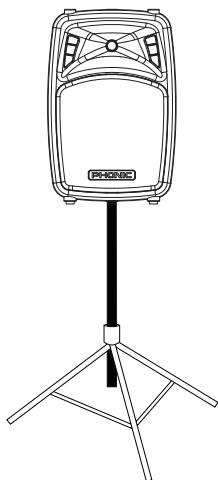
## INTRODUCTION

Congratulations on your purchase of the Phonic Jubi 12A Lite or Jubi 15A Lite active loudspeakers. The Jubi's 320 Watt (continuous) amplifier uses both Class D and AB technology to produce up to a shattering 123 dB maximum SPL. This provides sufficient power for a wide range of venues, large and small. Jubi's stylish polymer enclosure also improves acoustical accuracy by minimizing distortion and diffraction. Finally, reliability and durability was the paramount factor throughout the Jubi's development. With 320 Watts of ground shaking power, a 2-channel on-board mixer, custom engineered transducers, and great versatility, the Jubi active loudspeakers simply excel.

## FEATURES

- Remarkable sound, remarkable power, and remarkable style in a lightweight, durable enclosure
- 320 Watts of continuous power using Class D technology
- 123 dB maximum sound pressure level
- 12" or 15" woofer matched with 1" compression tweeter
- Flat frequency response between 53/56Hz and 20kHz
- 2 channel onboard mixer: mic channel featuring an XLR input and 1/4" TRS phone jack, plus a line channel with 1/4" TRS phone jack and stereo RCA inputs
- Record audio directly to USB flash drives
- Digital MP3 audio playback from USB flash drives
- Send speaker's main signal off to additional speakers or amplifiers through a balanced XLR output connector
- 4th order phase-accurate Linkwitz-Riley crossover
- 35mm pole mount for extended audience reach
- Impact resistant polymer enclosure with internal bracing
- Tour grade steel grille (1.2 mm)
- Rotary EQ controls for high and low frequency audio

## APPLICATION



35mm mounting point

## PLAYBACK

The USB player supports WAV, WMA and MP3 playback.

1. Insert an appropriately formatted (FAT32) USB flash drive.
2. On the main menu, select "Playback" and press the PLAY button.
3. Press the PLAY button to play the current track, or the << and >> buttons to skip forward and backwards between tracks.
4. Press the MENU button while in the Playback mode to access the File Browser, Delete File, Repeat Mode and Volume Control functions.
5. Press and hold the MENU button for three seconds to exit playback mode and return to the main menu.

**Folders** - Freely navigate songs in each folder on USB flash disc using the << and >> buttons. Press PLAY button to select, press MENU button to go back.

**Repeat Mode** - There 4 repeat modes available.

**No Repeat** - Play each file in the current folder or root for once.

**Repeat one** - Constantly repeat selected song.

**Repeat Folder** - Constantly repeat all the song in the certain folder or root.

**Random** - Enables random playback of files in current folder or root.

## RECORD

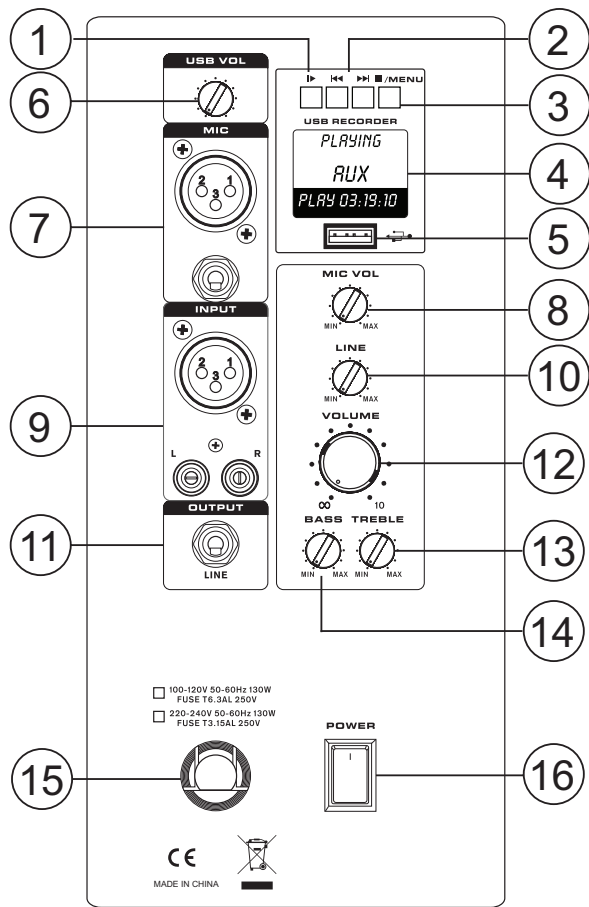
Users can record high quality WAV format.

1. Insert an appropriately formatted (FAT32) USB flash drive.
2. In the main menu, select "Record" and press the PLAY button to enter recording mode.
3. Select between the 128 kbit/s and 192 kbit/s WAV recording modes and press the PLAY button.
4. Record mode will begin in standby/pause. Push the Play/Pause button to begin recording. The unit will save the recorded file into the RECORD directory on the USB device.
5. Push the Play/Pause button to pause recording. Pushing the Play/Pause button again will resume recording from the position at which it was paused.
7. Press the MENU button at any time to save the recording. Once the recording is saved, the system will automatically skip to the next track.
8. To exit out of the playback mode and return to the main menu, press and hold MENU button for three seconds.

### NOTE:

1. The MP3 Recorder rotary control will adjust the playback level only and will not affect recording levels. The only level controls that will affect the recording level are those found on the individual Mic and Line input channels.
2. Users may experience very short instances of drop outs during playback of recorded WAV files.

SYSTEM OVERVIEW



**1. Play/Pause Button**

Push this button to start and stop playback and recording of the currently displayed track. Starting a track after it is paused will resume the track from the point at which it was paused (in both record and playback mode). This button also doubles as the “select” button when navigating menus.

**2. Return/Skip Buttons**

Pushing these buttons will allow users to skip ahead and back between tracks in sequence. They’re also used for navigating menus.

**3. Stop/Menu Button**

Push this button to stop the currently playing or recording track. When pushed and hold, this button will allow access to the recording module’s menu. The menu allows users to select playback and recording modes, a number of different repeat modes, the ability to delete files from USB flash discs, and a level control for playback signals.

**4. Display**

This small LCD display will show the track number currently being played or details on your current recording. It also offers play, pause and record indicators to the left of the display. When in playback mode, the screen will indicate the type of file type the unit is currently playing: wav or mp3.

**5. USB Port**

Connect your USB flash drive to this input. Once a drive is connected, the files will initiate and you will be able to play or record files.

**6. USB Level Control**

This control adjust the final signal level from the USB player to the main mix.

**7. Mic Inputs**

Jubi speakers are design to accept microphone level signals through XLR and 1/4” phone jacks (for balanced or unbalanced signals). The level of these inputs’ signal can be adjusted using the mic volume control.

**8. Mic Volume Control**

This control allows you to adjust the incoming signal from the mic input jacks. Setting them to the left-most position (-∞ dB) will completely cut the incoming signal, whereas the right-most position will add 10dB of boost to the signal.

**9. Line Inputs**

This balanced 1/4” phone jack accepts line-level signals from external devices. Stereo RCA connectors are also included. The incoming signals from these inputs can be adjusted using the line volume control.

**10. Line Volume Control**

This control allows you to adjust the incoming signal from the both the line input and RCA input jacks. Setting them to the left-most position (-∞ dB) will completely cut the incoming signals, whereas the right-most position will add 10dB of boost to the signals.

**11. Line Output**

The 1/4” phone jack line output will send the final mix of the channel 1 and 2 input signals, allowing the signals to be employed by additional speakers or other devices. Do not under any circumstances connect this output connector to the input of the same unit. This will cause an audio loop at frequencies and levels that will be extremely unpleasant.

**12. Main Level Control**

This rotary control will adjust the final output mix for the Jubi Lite speakers.

**13. Treble Control**

This control gives the user control of high frequencies (12kHz) in their audio. This allows for a total of 10 dB of boost or cut.

**14. Bass Control**

This control gives the user control of low frequencies (80Hz) in their audio. This allows for a total of 10 dB of boost or cut.

**15. AC Power Connector**

The Jubi Lite speakers offer a built-in power cable. Phonic advises that users do not attempt to remove or replace this cable for any reason. We also advise that the grounding pin of the cable should not be defeated for any reason.

**16. Power Switch**

This switch will turn the Jubi Lite speaker on and off.

**SPECIFICATIONS**

	<b>Jubi 12A Lite</b>	<b>Jubi 15A Lite</b>
Woofer	12"	15"
Tweeter	Compression Driver	Compression Driver
Continuous Power	320 Watts	320 Watts
Peak Power	640 Watts	640 Watts
Minimum THD	0.01%	0.01%
Frequency Response	56 Hz to 20 kHz	53 Hz to 20 kHz
Maximum SPL	123 dB	123 dB
Total Channels	2	2
<b>Inputs</b>		
Microphone	1 XLR + 1 TRS	1 XLR + 1 TRS
Line	1 XLR + 1 Stereo RCA	1 XLR + 1 Stereo RCA
MP3	USB (Record + Playback)	USB (Record + Playback)
<b>Output</b>		
Audio Out	1 x 1/4" TRS	1 x 1/4" TRS
EQ	Treble (12kHz), Bass (80Hz)	Treble (12kHz), Bass (80Hz)
Dimensions (HxWxD)	559 x 370 x 277 mm (22" x 14.56" x 10.9")	679 x 450 x 345 mm (26.7" x 17.7" x 13.6")
Weight	12.6 kg (27.8 lbs)	18.8 kg (41.4 lbs)

## SERVICE AND REPAIR

For replacement parts, service and repairs please contact the Phonic distributor in your country. Phonic does not release service manuals to consumers, and advice users to not attempt any self repairs, as doing so voids all warranties. You can locate a dealer near you at <http://www.phonic.com/where/>.

## WARRANTY INFORMATION

Phonic stands behind every product we make with a no-hassles warranty. Warranty coverage may be extended, depending on your region. Phonic Corporation warrants this product for a minimum of one year from the original date of purchase against defects in material and workmanship under use as instructed by the user's manual. Phonic, at its option, shall repair or replace the defective unit covered by this warranty. Please retain the dated sales receipt as evidence of the date of purchase. You will need it for any warranty service. No returns or repairs will be accepted without a proper RMA number (return merchandise authorization). In order to keep this warranty in effect, the product must have been handled and used as prescribed in the instructions accompanying this warranty. Any tampering of the product or attempts of self repair voids all warranty. This warranty does not cover any damage due to accident, misuse, abuse, or negligence. This warranty is valid only if the product was purchased new from an authorized Phonic dealer/distributor. For complete warranty policy information, please visit <http://www.phonic.com/warranty/>.

## CUSTOMER SERVICE AND TECHNICAL SUPPORT

We encourage you to visit our online help at <http://www.phonic.com/support/>. There you can find answers to frequently asked questions, tech tips, driver downloads, returns instruction and other helpful information. We make every effort to answer your questions within one business day.

FCC Caution: To assure continued compliance, any changes or modifications not expressly approved by the party responsible for compliance could void the user's authority to operate this equipment. (Example - use only shielded interface cables when connecting to computer or peripheral devices).

THIS DEVICE COMPLIES WITH PART 74 OF THE FCC RULES. This equipment complies with FCC RF radiation exposure limits set forth for an uncontrolled environment.



[support@phonic.com](mailto:support@phonic.com)  
<http://www.phonic.com>

# PHONIC



# MANUAL DEL USUARIO

## CONTENIDO

INTRODUCCIÓN.....	1
CARACTERÍSTICAS.....	1
APLICACIONES.....	1
REPRODUCCIÓN.....	1
REGISTRO.....	1
DESCRIPCIÓN GENERAL DEL SISTEMA.....	2
ESPECIFICACIONES.....	3
<b>APÉNDICE</b>	
DIMENSIONES.....	1

Phonic se reserva el derecho de mejorar o alterar cualquier información dentro de este documento, sin previo aviso.

## INSTRUCCIONES DE SEGURIDAD

1. Lea estas instrucciones antes de operar este aparato.
2. Mantenga este instructivo para futuras referencias.
3. Preste atención a todas las advertencias para asegurar una operación adecuada.
4. Siga todas las instrucciones indicadas en este instructivo.
5. No utilice este aparato cerca del agua o en lugares donde se puedan dar condensaciones.
6. Limpie solamente con lienzos secos. No utilice aerosol ni limpiadores líquidos. Desconecte este aparato antes de limpiarlo.
7. No bloquee ninguna de las aberturas de ventilación. Instale según las instrucciones del fabricante.
8. No lo instale cerca de cualquier fuente de calor como radiadores, registros de calor, estufas, u otro aparato (incluyendo amplificadores) que produzcan calor.
9. No deshaga la opción de seguridad del plug polarizado o aterrizado. Una clavija polarizada tiene dos cuchillas una más grande que la otra. Una clavija del tipo polarizado tiene dos cuchillas y un diente. La cuchilla más ancha o el tercer diente esta incluido para su seguridad. Si esta clavija no se acomoda en su toma corriente, consulte un electricista para que cambie el toma corriente obsoleto.
10. Proteja el cable de electricidad de ser pisado o picado particularmente en la clavija, los receptáculos y en el punto donde estos salgan del aparato. No pise los cables de alimentación de AC.
11. Utilice solamente accesorios o demás cosas especificadas por el fabricante.

12. Transporte solamente con un carro, pedestal, tripie abrazaderas o mesas especificadas por el fabricante, o incluidas con el aparato. Si se utiliza un carro, tenga precaución cuando mueva el carro con el aparato para evitar lesiones de cualquier tipo.



13. Desconecte este aparato durante tormentas eléctricas o cuando no se ocupe en periodos largos de tiempo.
14. Refiera todo el servicio al personal calificado. Se requiere de servicio cuando el aparato a sido dañado en cualquier manera, por ejemplo cuando el cable de alimentación de voltaje o la clavija han sido dañados, si se ha derramado liquido o si algun objeto a caido en el aparato, o si el aparato ha sido expuesto a la lluvia o a la humedad, no funcione normalmente o si ha sufrido una caída.

	<b>PRECAUCION</b> RIESGO DE SHOCK ELECTRICO NO ABRIR	
<p>PRECAUCION: PARA REDUCIR EL RIESGO DE SHOCK ELECTRICO NO REMUEVA LA TAPA (O LA CUBIERTA) NO HAY REFACCIONES DENTRO MANDE A SERVICIO CON EL PERSONAL CALIFICADO</p>		



El simbolo con una flecha encerrado en un triangulo equilátero, es para alertar al usuario de la presencia de "voltaje peligroso" no aislado dentro del chasis del producto que pudiera ser de magnitud suficiente para constituir un riesgo de shock eléctrico a las personas.



El punto de exclamación dentro de un triangulo equilátero es para alertar al usuario de la presencia de instrucciones importantes de operación y mantenimiento (servicio) en la literatura que acompaña el equipo.

**ADVERTENCIA:** Para reducir el riesgo de shock o fuego eléctrico no exponga este aparato a la lluvia o a la humedad.

**PRECAUCION:** No use controles, ajustes, no realice procedimientos diferentes a los especificados, esto puede resultar en una peligrosa exposición a la radiación.

# PHONIC

## INTRODUCCIÓN

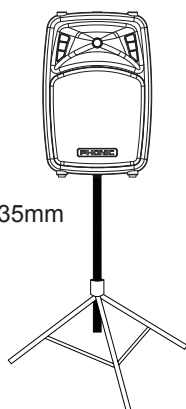
Felicitaciones por la compra de los altavoces activos Phonic Jubi 12A Lite o 15A Lite de Jubi (continuous) de 320 vatios utiliza tecnología de clase D para producir un aplastante 123 dB SPL máximo, proporcionando suficiente energía para una amplia gama de tipos y tamaños de conciertos. Un diseño ligero y montajes en poste robustos hacen que el Jubi sea el más versátil altavoz activo, portátil actual. Los ingenieros de Phonic diseñaron un woofer de alta factor potencia BL y un tweeter de compresión de 1" para lograr un entorno acústico asombrosamente amplio y lograr una transparencia de sonido característica a Jubi. Un recinto de polímero cuidadosamente elaborado con curvaturas verticales para mejorar la precisión acústica, reduciendo al mínimo la difracción interna. Por último, la fiabilidad y la durabilidad fueron el factor primordial en todo el desarrollo del altavoz Jubi. Con de 320 vatios de potencia, un mezclador de 2 canales a bordo, transductores diseñados a la medida, y una increíble versatilidad, el Jubi 12A Lite y 15A Lite de Phonic son altavoces a tener en cuenta.

## CARACTERÍSTICAS

- Sonido y potencia increíble y un estilo único en un recinto ligero y durable
- 320 vatios de potencia (continuous) utilizando tanto la clase AB y las tecnologías de D;
- Niveles de presión sonora máxima de 123 dB
- Woofer de 12" o 15" emparejado con un tweeters de compresión
- Respuesta de frecuencia plana entre 53/56Hz y 20kHz
- 2 canales a bordo de la mezcladora: canal de micrófono con una entrada XLR y conector TRS de 6.35mm más un canal linear TRS de 6.35mm y entradas estéreo RCA
- Grabación de audio directamente a las unidades flash USB
- Reproducción de audio digital MP3 desde unidades flash USB
- Envío de señal principal a altavoces o amplificadores adicionales a través de un conector de salida XLR balanceada
- Orden de cuarta fase con precisión de Linkwitz-Riley
- Montaje de 35 mm en poste para llegar a una audiencia ampliada
- Recinto polímero resistente a impactos con refuerzos internos incluidos
- Rejilla de acero (1,2 mm) parte frontal (protección adicional del cono del altavoz)
- Controles Rotativos de ecualización de audio de alta y baja frecuencia

## APLICACIONES

Barra de montaje de 35mm



## REPRODUCCIÓN

El reproductor es compatible con USB WAV, WMA, MP3 y reproducción a través de USB

1. Inserte un formato adecuado (FAT32) unidad flash USB.
2. En el menú principal, seleccione "Reproducir" y pulse el botón PLAY.
3. Pulse el botón de PLAY para reproducir la pista actual, o los botones << y >> para saltar hacia adelante y hacia atrás entre las pistas.
4. Pulse el botón MENU en el modo de reproducción para acceder al explorador de archivos, eliminar archivos, Modo de repetición y las funciones de control de volumen.
5. Mantenga pulsado el botón MENU durante tres segundos para salir del modo de reproducción y volver al menú principal.

**Archivos-** Libremente navegar por las canciones en cada archivo en el disco USB flash con los botones << y >>. Presione el botón PLAY para seleccionar, pulse el botón MENU para volver atrás.

**Modo de repetición** - Hay 4 modos de repetición disponibles.

**No se repiten/ No repeat** - Juega cada pista en el archivo actual, por una vez.

**Repetir una/Repeat one** - Constantemente repetir la canción seleccionada.

**Repetir Archivo/Repeat Folder** - Constantemente repite toda la canción en el Archivo determinado

**Aleatorio/ Random** - Permite la reproducción aleatoria de los archivos de la carpeta actual o de la raíz.

## REGISTRO

Los usuarios pueden grabar alta definición en formato WAV.

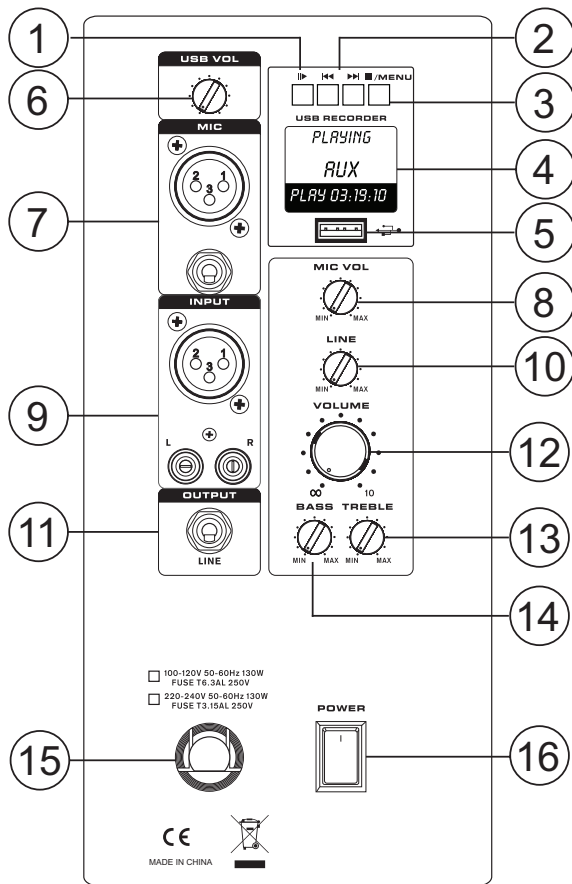
1. Inserte un formato adecuado (FAT32) unidad flash USB.
2. En el menú principal, seleccione "Grabar" y pulse el botón PLAY para entrar en el modo de grabación.
3. Seleccione entre los modos de grabación 128 kbit / s y 192 kbit / s WAV y pulse el botón PLAY.
4. El modo de grabación se iniciará en modo de espera / pausa. Pulse el botón de reproducción / pausa para iniciar la grabación. La unidad se guarda el archivo grabado en el directorio de registros en el dispositivo USB.
5. Pulse el botón Play / Pause para pausar la grabación. Al pulsar el botón Reproducir / Pausa volverá a reanudar la grabación desde la posición en la que se detuvo.
6. Pulse el botón MENU en cualquier momento para guardar la grabación. Una vez que la grabación se guarda, el sistema automáticamente se saltará a la pista siguiente.
7. Para salir del modo de reproducción y volver al menú principal, presione y mantenga el botón MENU durante tres segundos

### NOTA:

1. El control USB giratorio ajustará el nivel de reproducción solamente y no afectará los niveles de grabado. Solamente los controles de nivel afectarán el nivel de grabado se encuentran en los canales de entrada individuales.
2. Los usuarios pueden experimentar interrupciones muy cortas durante la reproducción de archivos WAV grabados.

DESCRIPCIÓN GENERAL DEL SISTEMA

Español



**1. Reproducir / Pausa**

Pulse este botón para iniciar y detener la reproducción y la grabación de la pista que se muestra actualmente. A partir de una pista, después de que se haya detenido, se reanudará la pista desde el punto en el que se hizo la pausa (en ambos modos Grabación y Reproducción).

**2. Retorno / Salto Botones**

Al pulsar estos botones, se permite a los usuarios saltar hacia adelante y hacia atrás entre las pistas en secuencia.

**3. Detener / Menú**

Pulse este botón para detener la reproducción o grabación de la pista actual. Cuando se pulsa durante varios segundos, este botón permite el acceso al menú del módulo de grabación. El menú permite a los usuarios seleccionar los modos de grabación y reproducción, un número de diferentes modos de repetición, la capacidad de borrar archivos desde discos USB flash, y un control de nivel para las señales de reproducción.

**4. Pantalla**

Esta pequeña pantalla LCD mostrará el número de pista que se está reproduciendo o los detalles sobre la grabación actual. También ofrece indicadores de reproducción es decir "pausa y grabar" a la izquierda de la pantalla. En el modo de reproducción, la pantalla indicará el tipo de tipo de archivo de la unidad que se está reproduciendo: wav, mp3 o wma.

**5. Puerto USB**

Conecte su unidad flash USB a esta entrada. Una vez que una unidad está conectada, los archivos se iniciarán y usted será capaz de reproducir o grabar archivos.

**6. USB Level Control**

Este control ajusta el nivel de la señal definitiva del reproductor de USB a la mezcla principal.

**7. Entradas de micrófono**

Los altavoces Jubi están diseñados para aceptar señales de nivel de micrófono a través tomas XLR de 6.35mm (para señales simétricas y no simétricas). El nivel de señal de estas entradas se puede ajustar mediante el control de volumen del micrófono.

**8. Control de volumen del micrófono**

Este control le permite ajustar la señal de entrada procedente de las tomas de entrada de micrófono. Ajuste a la posición más a la izquierda (-∞ dB) será completamente cortado la señal de entrada, mientras que la posición más a la derecha se sumará 10dB de aumento en la señal.

**9. Entradas de línea**

Esta toma simétrica de 6.35mm acepta señales de nivel de línea de dispositivos externos. También se incluyen los conectores RCA estéreo. Las señales entrantes de estas entradas se pueden ajustar mediante el control de volumen de línea.

**10. Control de la línea de volumen**

Este control le permite ajustar la señal de entrada de las tomas de entrada tanto de la entrada de línea y RCA. Ajuste a la posición más a la izquierda (-∞ dB) será completamente cortado las señales de entrada, mientras que la posición más a la derecha se sumará 10dB de realce a las señales.

**11. Salida de línea**

La salida de línea de 6.35mm enviará la mezcla final del canal 1 y 2 señales de entrada, lo que permite que las señales sean empleadas por altavoces adicionales u otros dispositivos. No bajo ninguna circunstancia conectar este conector de salida a la entrada de la misma unidad. Esto causará un bucle de audio a frecuencias y niveles que serán extremadamente desagradable.

**12. Control de nivel principal**

Este control giratorio ajusta la mezcla final de salida para los altavoces Jubi Lite.

**13. EQ High**

Este control da al usuario el control de las altas frecuencias (12 kHz) en su audio. Esto permite un total de 10 dB de aumento o corte.

**14. EQ Low**

Este control da al usuario el control de frecuencias bajas (80 Hz) en su audio. Esto permite un total de 10 dB de aumento o corte.

**15. Conector de alimentación CA**

Los altavoces Jubi Lite ofrecen un cable de alimentación integrado. Phonic informa que los usuarios no intentarán eliminar o reemplazar este cable por cualquier razón. También le aconsejamos que la clavija de conexión a tierra del cable no deberá quedar sin efecto por cualquier motivo.

**16. Interruptor de encendido**

Este interruptor activa el altavoz Jubi.

**ESPECIFICACIONES**

	<b>Jubi 12A Lite</b>	<b>Jubi 15A Lite</b>
Woofers	12"	15"
Tweeter	Conductor de la compresión	Conductor de la compresión
Continuous Potencia	320 Watts	320 Watts
Peak Potencia	640 Watts	640 Watts
THD mínimo	0,01%	0,01%
Respuesta de frecuencia	56 Hz to 20 kHz	53 Hz to 20 kHz
Máximo SPL	123 dB	123 dB
Canales totales	2	2
<b>Entradas</b>		
Micrófono	1 XLR + 1 TRS	1 XLR + 1 TRS
Línea	1 XLR + 1 estéreo RCA	1 XLR + 1 estéreo RCA
MP3	USB (Record + Reproducción)	USB (Record + Reproducción)
<b>Salida</b>		
Salida de audio	1 x 1/4" TRS	1 x 1/4" TRS
EQ	Agudos (12 kHz), Bajo (80Hz)	Agudos (12 kHz), Bajo (80Hz)
Dimensiones (HxWxD)	559 x 370 x 277 mm (22" x 14.6" x 10,9")	679 x 450 x 345 mm (26,7" x 17,7" x 13,6")
Peso	12.6 kg (27.8 lbs)	18.8 kg (41.4 lbs)

## **SERVICIO Y REPARACIÓN**

Para refacciones de reemplazo y reparaciones, por favor póngase en contacto con nuestro distribuidor de Phonic en su país. Phonic no distribuye manuales de servicio directamente a los consumidores y, avisa a los usuarios que no intenten hacer cualquier reparación por sí mismo, haciendo ésto invalidará todas las garantías del equipo. Puede encontrar un distribuidor cerca de usted en <http://www.phonic.com/where/>.

## **INFORMACIÓN DE LA GARANTÍA**

Phonic respalda cada producto que hacemos con una garantía sin enredo. La cobertura de garantía podría ser ampliada dependiendo de su región. Phonic Corporation garantiza este producto por un mínimo de un año desde la fecha original de su compra, contra defectos en materiales y mano de obra bajo el uso que se instruya en el manual del usuario. Phonic, a su propia opinión, reparará o cambiará la unidad defectuosa que se encuentra dentro de esta garantía. Por favor, guarde los recibos de venta con la fecha de compra como evidencia de la fecha de compra. Va a necesitar este comprobante para cualquier servicio de garantía. No se aceptarán reparaciones o devoluciones sin un número RMA apropiado (return merchandise authorization). En orden de tener esta garantía válida, el producto deberá de haber sido manejado y utilizado como se describe en las instrucciones que acompañan esta garantía. Cualquier atentado hacia el producto o cualquier intento de repararlo por usted mismo, cancelará completamente esta garantía. Esta garantía no cubre daños ocasionados por accidentes, mal uso, abuso o negligencia. Esta garantía es válida solamente si el producto fue comprado nuevo de un representante/distribuidor autorizado de Phonic. Para la información completa acerca de la política de garantía, por favor visite <http://www.phonic.com/warranty/>.

## **SERVICIO AL CLIENTE Y SOPORTE TÉCNICO**

Le invitamos a que visite nuestro sistema de ayuda en línea en [www.phonic.com/support/](http://www.phonic.com/support/). Ahí podrá encontrar respuestas a las preguntas más frecuentes, consejos técnicos, descarga de drivers, instrucciones de devolución de equipos y más información de mucho interés. Nosotros haremos todo el esfuerzo para contestar sus preguntas lo antes posible.

FCC Caution: To assure continued compliance, any changes or modifications not expressly approved by the party responsible for compliance could void the user's authority to operate this equipment. (Example - use only shielded interface cables when connecting to computer or peripheral devices).

THIS DEVICE COMPLIES WITH PART 74 OF THE FCC RULES. This equipment complies with FCC RF radiation exposure limits set forth for an uncontrolled environment.

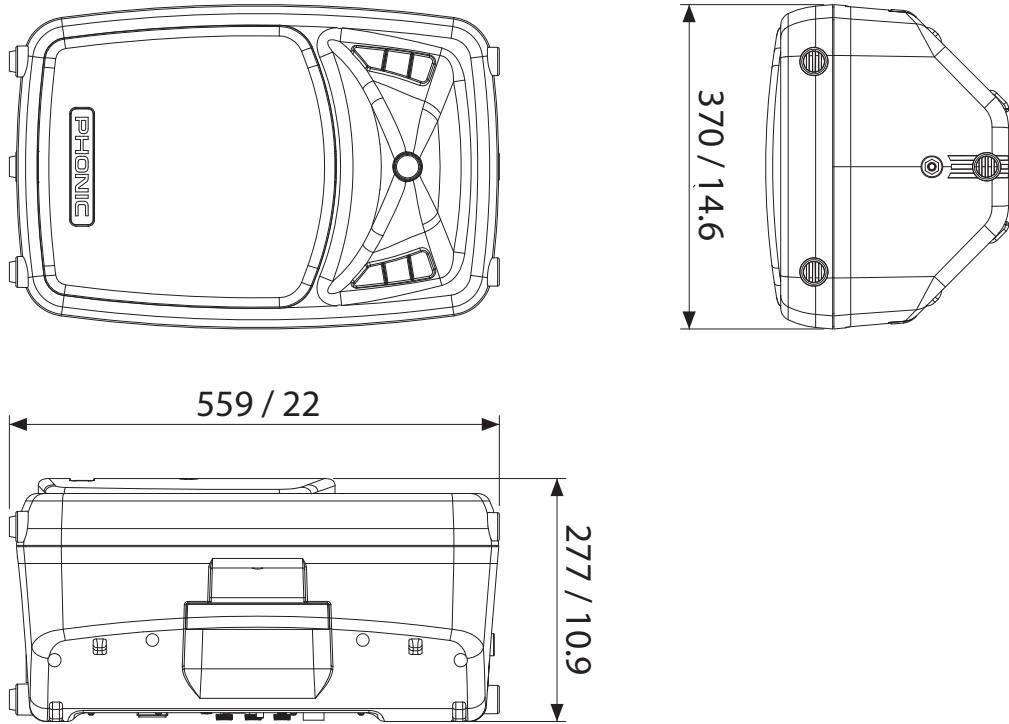


[support@phonic.com](mailto:support@phonic.com)  
<http://www.phonic.com>

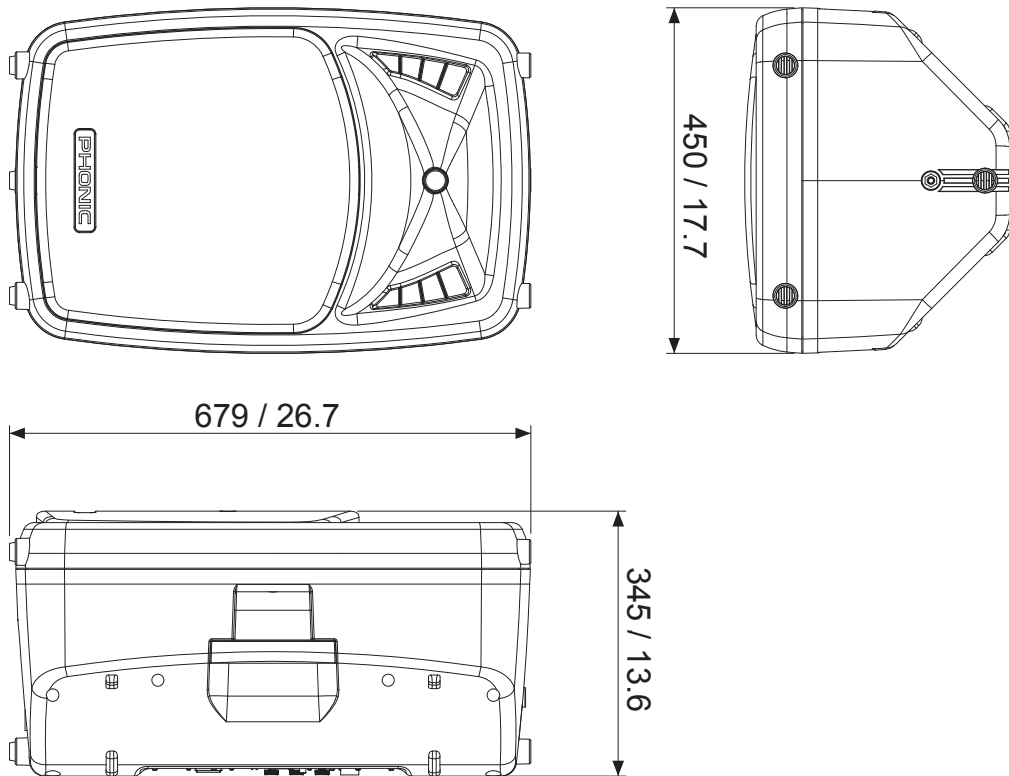
# **PHONIC**

**DIMENSIONS      DIMENSIONES**

Jubi 12A Lite



Jubi 15A Lite



Measurements are shown in mm/inches  
 Todas las medidas están mostradas en mm/pulgadas.

**PHONIC**  
[WWW.PHONIC.COM](http://WWW.PHONIC.COM)