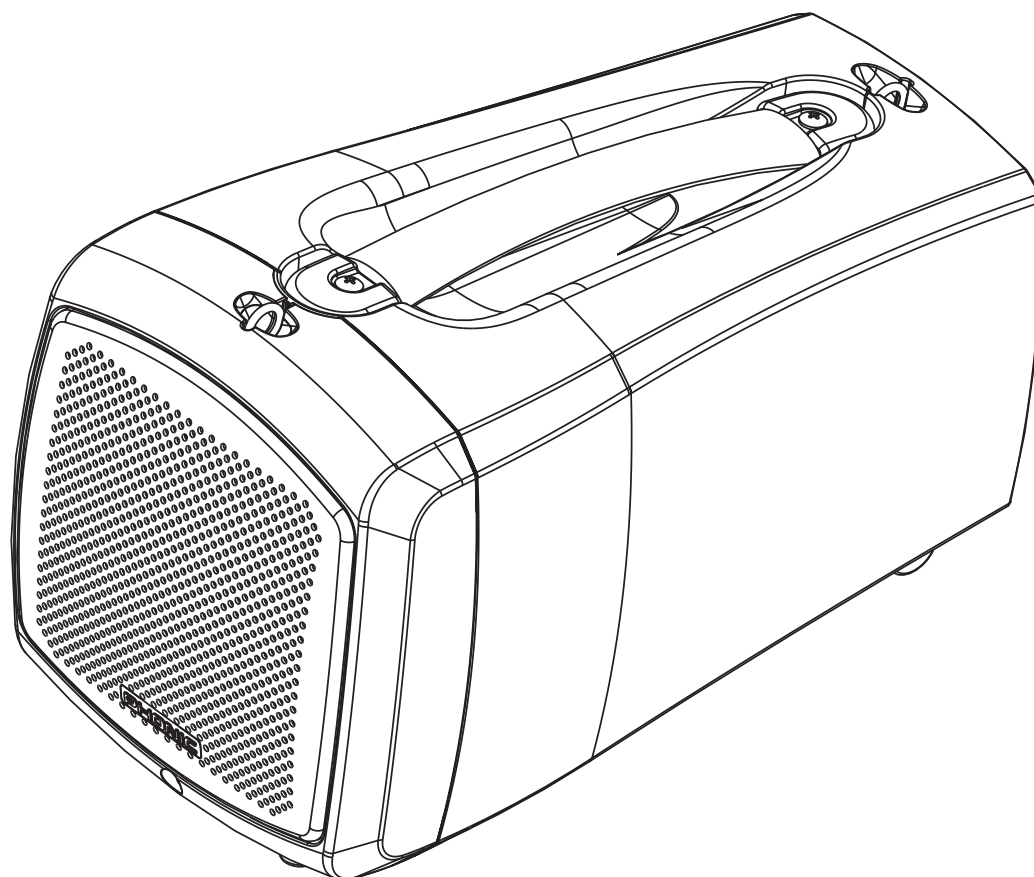


PHONIC



WWW.PHONIC.COM

SAFARI 1000 M
SAFARI 1000 LITE

- User's Manual
- Manual del Usuario

SAFARI 1000 M

SAFARI 1000 LITE

25 Watt All-In-One Portable PA System
Sistema PA Portable Todo en Uno 25 Watt



ENGLISH..... I

ESPAÑOL..... II

APPENDIX..... III

USER'S MANUAL

CONTENTS

Introduction..... 1

Advanced Electronics. Advanced Reliability..... 1

Features..... 1

Optional Components..... 1

Included Components..... 1

Front View..... 2

Side View..... 2

Playback..... 3

Record..... 3

Replacing the Batteries..... 4

Transmitter Components..... 4

Specifications..... 5

Wireless Specifications..... 5

APPENDIX

Dimensions..... 1

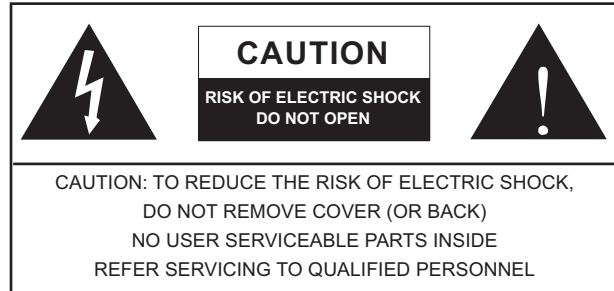
Phonic preserves the right to improve or alter any information within this document without prior notice

IMPORTANT SAFETY INSTRUCTIONS

The apparatus shall not be exposed to dripping or splashing and that no objects filled with liquids, such as vases, shall be placed on the apparatus. The MAINS plug is used as the disconnect device, the disconnect device shall remain readily operable.

Warning: the user shall not place this apparatus in the confined area during the operation so that the mains switch can be easily accessible.

1. Read these instructions before operating this apparatus.
2. Keep these instructions for future reference.
3. Heed all warnings to ensure safe operation.
4. Follow all instructions provided in this document.
5. Do not use this apparatus near water or in locations where condensation may occur.
6. Clean only with dry cloth. Do not use aerosol or liquid cleaners. Unplug this apparatus before cleaning.
7. Do not block any of the ventilation openings. Install in accordance with the manufacturer's instructions.
8. Do not install near any heat sources such as radiators, heat registers, stoves, or other apparatus (including amplifiers) that produce heat.
9. Do not defeat the safety purpose of the polarized or grounding-type plug. A polarized plug has two blades with one wider than the other. A grounding type plug has two blades and a third grounding prong. The wide blade or the third prong is provided for your safety. If the provided plug does not fit into your outlet, consult an electrician for replacement of the obsolete outlet.
10. Protect the power cord from being walked on or pinched particularly at plug, convenience receptacles, and the point where they exit from the apparatus.
11. Only use attachments/accessories specified by the manufacturer.
12. Use only with a cart, stand, tripod, bracket, or table specified by the manufacturer, or sold with the apparatus. When a cart is used, use caution when moving the cart/apparatus combination to avoid injury from tip-over.
13. Unplug this apparatus during lightning storms or when unused for long periods of time.
14. Refer all servicing to qualified service personnel. Servicing is required when the apparatus has been damaged in any way, such as power-supply cord or plug is damaged, liquid has been spilled or objects have fallen into the apparatus, the apparatus has been exposed to rain or moisture, does not operate normally, or has been dropped.



The lightning flash with arrowhead symbol, within an equilateral triangle, is intended to alert the user to the presence of uninsulated "dangerous voltage" within the product's enclosure that may be of sufficient magnitude to constitute a risk of electric shock to persons.



The exclamation point within an equilateral triangle is intended to alert the user to the presence of important operating and maintenance (servicing) instructions in the literature accompanying the appliance.

WARNING: To reduce the risk of fire or electric shock, do not expose this apparatus to rain or moisture.

CAUTION: Use of controls or adjustments or performance of procedures other than those specified may result in hazardous radiation exposure.



Introduction

The Safari 1000 is Phonic's latest all-in-one, battery-powered sound solution. Powered by advanced class D amplifiers that deliver a commanding 25 Watts, the Safari 1000 can reach crowds of 100 people. At a lightweight 1.9 kg, the Safari 1000 is Phonic's lightest audio system yet.

The Safari's rugged polymer body, rounded corners, and internal bracing system maximize structural strength, allowing the Safari to withstand heavy use. The Safari's electronic circuitry, including the amplifier, battery, and speaker are state-of-the-art. The efficient battery system can operate up to 10 hours on a full charge. The onboard mixer has versatile input options, including 1/4" phone jack and mini-stereo.

Finally, options such as Phonic's auto-scan wireless microphones, CD/USB player & recorder, and USB recorder give users the flexibility to customize the Safari 1000 into a perfectly tailored solution. So whether you are a street vendor, a musician, a teacher, or a business professional, the rugged, versatile, and powerful Safari 1000 is your ultimate portable system.

Advanced Electronics. Advanced Reliability

Phonic engineers designed the Safari 1000 for maximum reliability and durability. As of the launch date, the Safari's power supply, amplifier, and battery circuitries have endured over 1000 hours of real world and lab tests, guaranteeing a remarkable level of reliability. From heated ovens, freezing subzero rooms, high humidity chambers, rigorous drop tests, to electrical voltage spikes, the Safari has seen it all.

Features

- Ultra-durable & lightweight (1.9kg) all-in-one battery powered sound solution
- 50 Watt Class D amplifier technology
- Impact resistant polymer enclosure
- 5.25" full-range speaker for clear, concise audio
- 1/4" TRS and mini stereo input connectors
- Mini-stereo output connector for extended operation
- Flat frequency response between 50Hz and 18kHz
- Up to 10 hours of operation running at 80% capacity
- Shoulder strap for easy mobility between venues or when in use
- Imbedded LED on front cover for illuminating dark areas
- Integrated alert tone for announcements and public addresses
- Alarm siren for use in emergency situations
- Optional weather-proof bag for use in poor weather

Safari 1000M also features:

- USB recorder to record and playback to and from USB flash drives
- Advanced wireless microphone system utilizing Phonic's own Auto-Scan technology

Included Components:

- Safari 1000 unit
- DC power adapter
- User's manual

Options and Accessories



Wireless handheld system
(WM-1S)



Wireless lavalier system
(WL-1S)



Wireless headset system
(WH-1S)

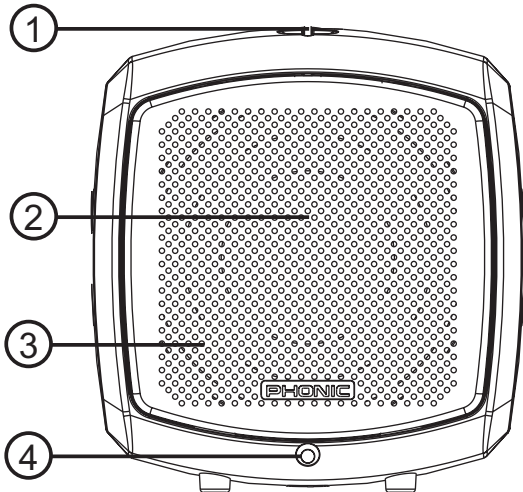
Package Options

Safari 1000 Lite Includes:

- ▶ Safari 1000 Lite base unit
- ▶ Wired microphone with 3' spiral cable
- ▶ Dust cover
- ▶ Shoulder strap

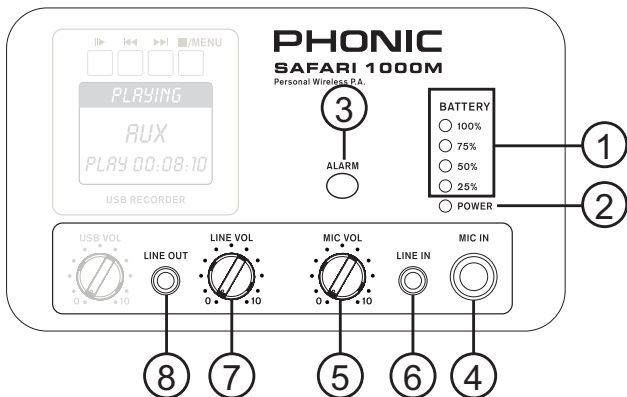
Safari 1000M Includes:

- ▶ Safari 1000M base unit
- ▶ WM-1S wireless handheld microphone system
- ▶ USB playback and recording module
- ▶ Dust cover
- ▶ Shoulder strap



Front View

- 1. LED Switch and Top Mounted Handle
- 2. Full-Range Speaker
- 3. Grille
- 4. LED Light



Side View

1. Battery Status Indicators

The Safari 1000 has a 4-LED battery status indicator. When the battery is full, the green "100%" LED will display. There are also indicators indicating a 75%, 50% and 25% charge.

2. Power LED

The blue "Power" LED will light up when the Safari 1000 is activated.

3. Alarm Button

Pushing this button will cause the Safari 1000 to emit an alarm tone. This is ideal in emergency situations and when trying to attract attention.

4. Mic In

This input accepts 1/4" phone jack inputs and is ideal for the connection of microphones.

5. Mic Control

This rotary control adjusts the input level from the microphone input jack.

6. Line Input

This 1/8" mini-stereo line input is ideal for connection of device such as MP3 and CD players.

7. Line Control

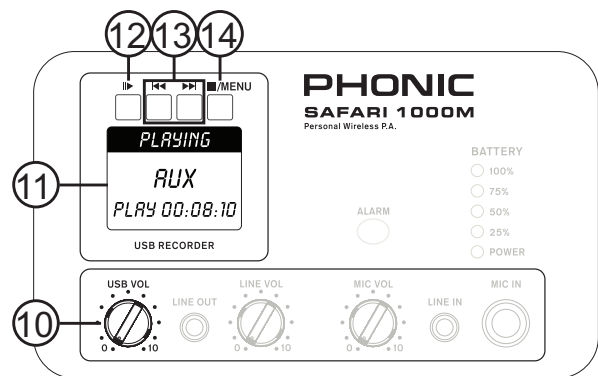
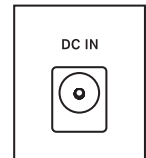
This rotary control will allow you to adjust the volume of the line input jack.

8. Line Output

This 1/8" output jack is perfect for connection of recording devices such as PC computers and MP3 recorders.

9. DC Charging Port (Rear)

Connect the included DC power adapter to this port to charge the Safari 1000. The plug of the power adapter should be connected to a suitable AC power socket.



Safari 1000M

10. USB Level Control

Use this rotary control to adjust the level of the audio played through the MP3 player/recorder.

11. USB Player Display

This will display the track number of the currently selected/ playing track and the time played.

12. Play / Pause Button

This button will allow users to play and pause files from the inserted USB flash drive.

13. Back / Skip Buttons

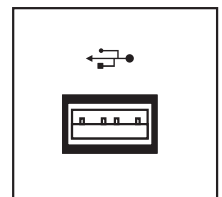
These buttons are used to skip back and forth between tracks. Pushing and holding one of these buttons will allow you to skip forwards and backwards within the track.

14. Stop / Menu Button

Push this button to stop the currently playing track. Push again to access the USB player's main menu (to adjust folder and repeat options).

15. USB Connector (Rear)

Connect your USB flash drive to this input. Once a drive is connected, the files will initiate and the first track will appear paused on screen. Phonic recommends that users format their USB flash drives using a FAT-32 file system.



Playback

The USB player supports WAV, WMA and MP3 playback through USB.

1. Power on the device.
2. Insert an appropriately formatted (FAT32) USB flash drive.
3. On the main menu, select "Playback" and press the PLAY button.
4. Press the PLAY button to play the current track, or the << and >> buttons to skip forward and backwards between tracks.
5. Press the MENU button while in the Playback mode to access the File Browser, Delete File, Repeat Mode and Volume Control functions.
6. Press and hold the MENU button for three seconds to exit playback mode and return to the main menu.

Folders - Freely navigate songs in each folder on USB flash disc using the << and >> buttons. Press PLAY button to select, press MENU button to go back.

Repeat Mode - There 4 repeat modes available.

No Repeat - Play each file in the current folder or root for once.

Repeat one - Constantly repeat selected song.

Repeat Folder - Constantly repeat all the song in the certain folder or root.

Random - Enables random playback of files in current folder or root.

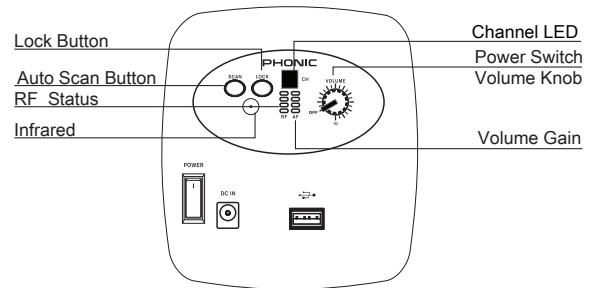
Record

Users can record high quality WAV format

1. Power on the device.
2. Insert an appropriately formatted (FAT32) USB flash drive.
3. In the main menu, select "Record" and press the PLAY button to enter recording mode.
4. Select between the 128 kbit/s and 192 kbit/s WAV recording modes and press the PLAY button.
5. Record mode will begin in standby/pause. Push the Play/Pause button to begin recording. The unit will save the recorded file into the RECORD directory on the USB device.
6. Push the Play/Pause button to pause recording. Pushing the Play/Pause button again will resume recording from the position at which it was paused.
7. Press the MENU button at any time to save the recording. Once the recording is saved, the system will automatically skip to the next track.
8. To exit out of the playback mode and return to the main menu, press and hold MENU button for three seconds.

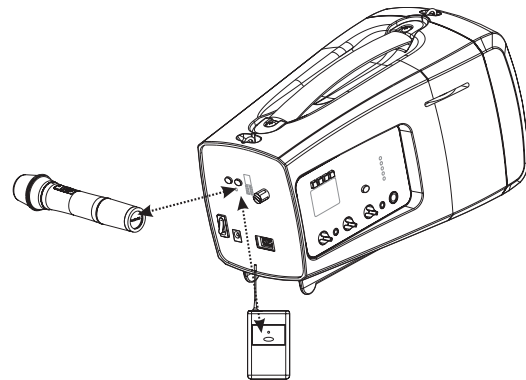
NOTE: The USB rotary control will adjust the playback level only and will not affect recording levels. The only level controls that will affect the recording level are those found on the individual input channels.

Wireless Microphones (Safari 1000M)



One-Touch Auto Scan

1. Power-on the Safari One-Touch Autoscan wireless receiver (WR-1) by turning the volume knob clockwise. You should hear a click sound from the knob.
2. Power-on your handheld microphone (WM-1) or beltpack unit (WB-1)
3. Hold the WM-1 / WB-1 close against the receiver WR-1 and push the Scan button on the WR-1 for 4 to 5 seconds until the numeric channel LED digits start to automatically change, indicating that the autoscan is finding the best wireless channel.

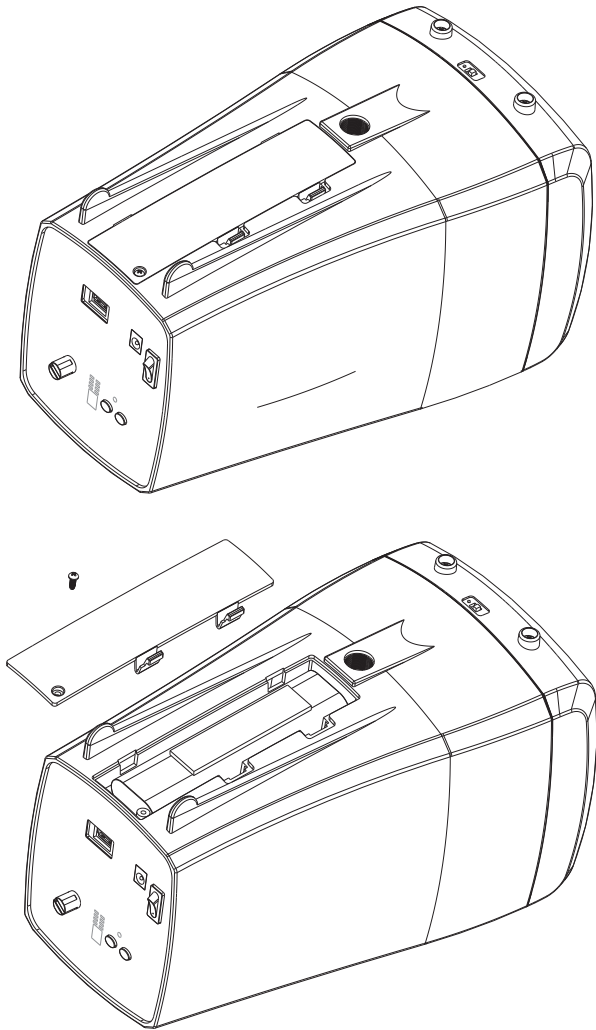


4. The autoscan process is finished when the LED display stops at the optimal channel. At this point, the RF LEDs will activate. If the RF LEDs on the WR-1 do not light on, the connection has not been established successfully. To reinforce the connection, click the Lock button while holding the WM-1 or WB-1 close to the receiver.
5. Upon a successful connection, the AF LEDs on the WR-1 will activate as you speak into the microphone.

Manual Scan

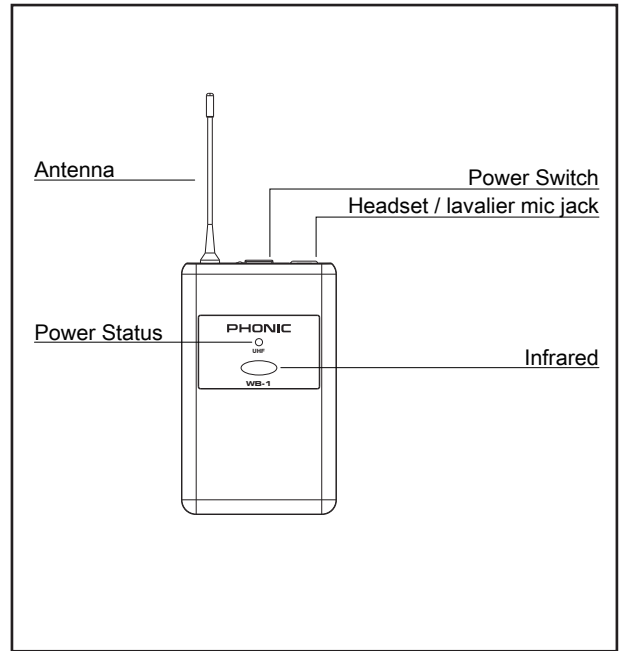
1. Power-on the Safari One-touch Autoscan wireless receiver (WR-1) and the microphone transmitter (WM-1 or WB-1).
2. Push the Scan button on the WR-1 for 2 seconds. The numeric LEDs on the WR-1 will begin to blink. To manually select frequency, continue to click the Scan button until you reach the desired channel.
3. Hold the WM-1 / WB-1 close against the receiver and push the Lock button to confirm the channel and establish the link between the microphone transmitter and receiver. At this point, the RF LEDs will activate and the AF LEDs will respond to the microphone signal. If the connection is not established, re-attempt the manual or autoscan process.

Replacing the Battery

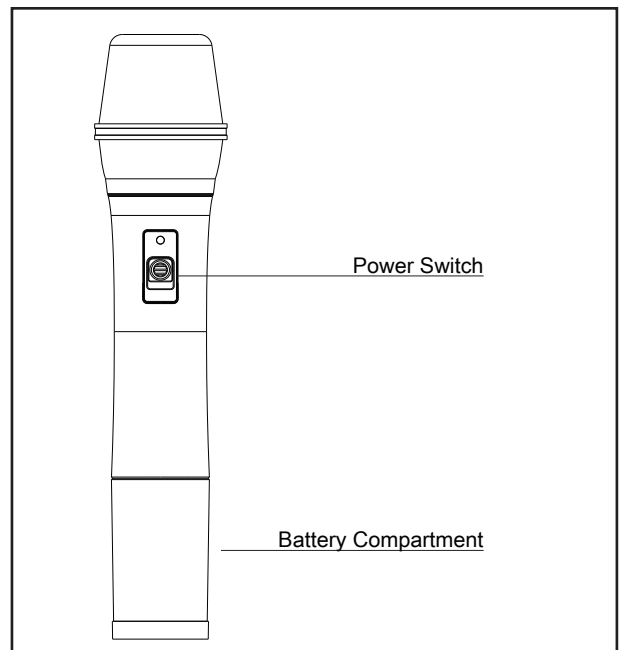


Transmitter Components

Beltpack



Handheld Microphone



Specifications

	Safari 1000M	Safari 1000 Lite
Amplifier Technology	Class D	Class D
Power Output	50 Watt Peak / 25 Watt RMS	50 Watt Peak / 25 Watt RMS
Power Technology	Switching	Switching
Driver	5.25" Full Range	5.25" Full Range
Frequency Response	50 Hz - 18 kHz	50 Hz - 18 kHz
Input	1/4" TRS and mini-stereo	1/4" TRS and mini-stereo
Output	Mini-stereo	Mini-stereo
Battery Indicator	4-phase indicator	4-phase indicator
Body Material	Molded Polymer	Molded Polymer
USB Recorder/Player	Record: WAV; Playback: MP3/WAV	Not Included
Microphone	Wireless UHF Microphone with autoscans, volume control	Wired Microphone with 3' spiral cable
Battery Spec	Lithium 14.8V 2.6AH	Lithium 14.8V 2.6AH
Battery Operation Time	10 hours at 80% output	10 hours at 80% output
Dimensions (H×W×D)	170 x 156 x 280 mm (6.7" x 5.5" x 11")	170 x 156 x 280 mm (6.7" x 5.5" x 11")
Weight	1.9 kg (4.1 lbs)	1.7 kg (3.7 lbs)

Wireless Transmitter Specifications

	WM-1 (Handheld Transmitter)	WB-1 (Beltpack Transmitter)
Frequency Range (Selectable)	500-875MHz (Selectable)	500-875MHz (Selectable)
Housing Material	ABS	ABS
Bandwidth	25MHz	25MHz
Spurious Emissions	<-55dBc	<-55dBc
Max. Deviation Range	±68KHz	±68KHz
Maximum Input Level	148dB SPL	148dB SPL
Battery	AA×2 Alkaline, >8hr battery life	AA×2 Alkaline, >8hr battery life

Wireless Receiver Specifications

	WR-1 (Wireless Receiver)
Frequency Range (Selectable)	500-875MHz (Selectable)
Oscillation Mode	PLL synthesized
Bandwidth	25MHz
Preset Channels	16 Non-interference channels
Receiving Mode	CPU-controlled diversity technology
Squelch Control	Optimized automatic squelch control
Display	Channel display LED, 4 LED RF display, 4 LED AF display
Sensitivity	6dBµV, at S/N>80dB
Max. Deviation Range	±68KHz
Spurious Emissions	<80dB
Frequency Response	50Hz~16KHz
S/N Ratio	>100dBA
T.H.D.	<0.5% @ 1KHz (Dev.=40KHz)
AF Output	300mV rms
Power Supply	DC 12~15V
Current Consumption	<190 mA
Working Temperature	-10~60°C

NOTE: Please work with your sales representative to select the optimal frequency for your region.

SERVICE AND REPAIR

For replacement parts, service and repairs please contact the Phonic distributor in your country. Phonic does not release service manuals to consumers, and advice users to not attempt any self repairs, as doing so voids all warranties. You can locate a dealer near you at <http://www.phonic.com/where/>.

WARRANTY INFORMATION

Phonic stands behind every product we make with a no-hassles warranty. Warranty coverage may be extended, depending on your region. Phonic Corporation warrants this product for a minimum of one year from the original date of purchase against defects in material and workmanship under use as instructed by the user's manual. Phonic, at its option, shall repair or replace the defective unit covered by this warranty. Please retain the dated sales receipt as evidence of the date of purchase. You will need it for any warranty service. No returns or repairs will be accepted without a proper RMA number (return merchandise authorization). In order to keep this warranty in effect, the product must have been handled and used as prescribed in the instructions accompanying this warranty. Any tampering of the product or attempts of self repair voids all warranty. This warranty does not cover any damage due to accident, misuse, abuse, or negligence. This warranty is valid only if the product was purchased new from an authorized Phonic dealer/distributor. For complete warranty policy information, please visit <http://www.phonic.com/warranty/>.

CUSTOMER SERVICE AND TECHNICAL SUPPORT

We encourage you to visit our online help at <http://www.phonic.com/support/>. There you can find answers to frequently asked questions, tech tips, driver downloads, returns instruction and other helpful information. We make every effort to answer your questions within one business day.

FCC Caution: To assure continued compliance, any changes or modifications not expressly approved by the party responsible for compliance could void the user's authority to operate this equipment. (Example - use only shielded interface cables when connecting to computer or peripheral devices).

THIS DEVICE COMPLIES WITH PART 74 OF THE FCC RULES. This equipment complies with FCC RF radiation exposure limits set forth for an uncontrolled environment.



support@phonic.com
<http://www.phonic.com>

PHONIC

Manual del Usuario

CONTENIDO

Introducción.....	1
Electrónica Avanzada. Fiabilidad Avanzada.....	1
Características.....	1
Componentes Incluidos.....	1
Componentes Opcionales.....	1
Vista Frontal.....	2
Vista Lateral.....	2
Reproducción.....	3
Registro.....	3
Micrófonos Inalámbricos.....	3
Reemplazando la Batería.....	4
Operación.....	4
Especificaciones.....	5
Especificaciones Inalámbricos.....	5



APÉNDICE

DIMENSIONES.....	1
------------------	---

Phonic se reserva el derecho de mejorar o alterar cualquier información provista dentro de este documento sin previo aviso.

INSTRUCCIONES DE SEGURIDAD

1. Lea estas instrucciones antes de operar este aparato.
2. Mantenga este instructivo para futuras referencias.
3. Preste atención a todas las advertencias para asegurar una operación adecuada.
4. Siga todas las instrucciones indicadas en este instructivo.
5. No utilice este aparato cerca del agua o en lugares donde se puedan dar condensaciones.
6. Limpie solamente con lienzos secos. No utilice aerosol ni limpiadores líquidos. Desconecte este aparato antes de limpiarlo.
7. No bloquee ninguna de las aberturas de ventilación. Instale según las instrucciones del fabricante.
8. No lo instale cerca de cualquier fuente de calor como radiadores, registros de calor, estufas, u otro aparato (incluyendo amplificadores) que produzcan calor.
9. No deshaga la opción de seguridad del plug polarizado o aterrizado. Una clavija polarizada tiene dos cuchillas una más grande que la otra. Una clavija del tipo polarizado tiene dos cuchillas y un diente. La cuchilla más ancha o el tercer diente esta incluido para su seguridad. Si esta clavija no se acomoda en su toma corriente, consulte un electricista para que cambie el toma corriente obsoleto.
10. Proteja el cable de electricidad de ser pisado o picado particularmente en la clavija, los receptáculos y en el punto donde estos salgan del aparato. No pise los cables de alimentación de AC.
11. Utilice solamente accesorios o demás cosas especificadas por el fabricante.
12. Transporte solamente con un carro, pedestal, tripie abrazaderas o mesas especificadas por el fabricante, o incluidas con el aparato. Si se utiliza un carro, tenga precaución cuando mueva el carro con el aparato para evitar lesiones de cualquier tipo.
13. Desconecte este aparato durante tormentas eléctricas o cuando no se ocupe en periodos largos de tiempo.
14. Refiera todo el servicio al personal calificado. Se requiere de servicio cuando el aparato a sido dañado en cualquier manera, por ejemplo cuando el cable de alimentación de voltaje o la clavija han sido dañados, si se ha derramado liquido o si algun objeto a caido en el aparato, o si el aparato ha sido expuesto a la lluvia o a la humedad, no funcione normalmente o si ha sufrido una caída.

	PRECAUCION RIESGO DE SHOCK ELECTRICO NO ABRIR	
PRECAUCION: PARA REDUCIR EL RIESGO DE SHOCK ELECTRICO NO REMUEVA LA TAPA (O LA CUBIERTA) NO HAY REFACCIONES DENTRO MANDE A SERVICIO CON EL PERSONAL CALIFICADO		



El simbolo con una flecha encerrado en un triangulo equilátero, es para alertar al usuario de la presencia de "voltaje peligroso" no aislado dentro del chasis del producto que pudiera ser de magnitud suficiente para constituir un riesgo de shock eléctrico a las personas.



El punto de exclamación dentro de un triangulo equilátero es para alertar al usuario de la presencia de instrucciones importantes de operación y mantenimiento (servicio) en la literatura que acompaña el equipo.

ADVERTENCIA: Para reducir el riesgo de shock o fuego eléctrico no exponga este aparato a la lluvia o a la humedad.

PRECAUCION: No use controles, ajustes, no realice procedimientos diferentes a los especificados, esto puede resultar en una peligrosa exposición a la radiación.



PHONIC

Introducción

El Safari 1000 de Phonic es la última solución en sonido compacta con batería potenciada. Potenciada con amplificadores de clase D avanzado que ofrece 25 Watts de demanda, el Safari 1000 puede alcanzar a un público más de 100 personas. Con un peso liviano de 1.9kg, esta unidad está diseñada para excelente portabilidad.

La construcción polímero del Safari, con esquinas redondas y un sistema interno de refuerzo maximiza la estructura, permitiendo al Safari en para ser empleado en usos duros. El circuito electrónico del dispositivo, incluye un amplificador, batería y suministro de potencia de alta clase. El sistema de batería eficiente puede operar 8 a 10 horas en carga completa. El mezclador integrado tiene opciones de entrada versátiles, incluyendo tomas de 6.35mm y mini-estéreo.

Finalmente, las opciones como auto-escaneo de micrófonos inalámbricos de Phonic, reproductoras & grabadoras CD/USB, y grabadora USB ofrece al usuario la flexibilidad de configurar el Safari 1000 con la perfecta solución a medida. Siendo usted un vendedor en la calle, un músico, un catedrático o profesional de negocios, el sólido, versátil y potenciado Safari 1000 es su mejor sistema portable

Electrónica Avanzada. Fiabilidad Avanzada.

Los ingenieros de Phonic han diseñado el Safari 1000 para máxima fiabilidad y durabilidad. Desde la fecha de su lanzamiento, el suministro potenciado, amplificador y circuitos de batería del Safari han durado más de 1000 horas en ejecuciones vivas y pruebas de laboratorio. Nivel de fiabilidad garantizada, desde estados sobrecalentados, habitaciones bajo cero y cámaras de alta humedad, pruebas rigurosas de pruebas de caída hasta sobrecarga de voltaje eléctrico, el Safari ya ha visto todo.

Características

- Ultra-durable y ligero (1,9 kg) de todo-en-una solución de sonido de batería alimentado
- Tecnología de amplificador de 50 vatios Clase D
- Resistente a los golpes carcasa de polímero
- Altavoz de gama completa 5.25" para un sonido claro y conciso
- Conectores mini entrada estéreo TRS de 6.35mm
- Conector de salida Mini-estéreo para una operación prolongada
- Respuesta de frecuencia plana entre 50Hz y 18kHz
- Hasta 10 horas de funcionamiento que funcionan a 80% de capacidad
- Correa para el hombro para facilitar la movilidad entre lugares o cuando está en uso
- LED en la cubierta frontal para iluminar las zonas oscuras
- Tono de aviso integrado para anuncios y discursos públicos
- Sirena de alarma para su uso en situaciones de emergencia
- Bolsa de plástico opcional para uso en mal tiempo

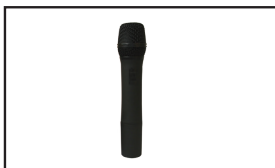
Safari 1000M también cuenta con:

- Grabadora USB para grabar y reproducir hasta y desde unidades flash USB
- Sistema de micrófono inalámbrico avanzado con la tecnología Auto-Scan

Componentes Incluidos:

- Unidad Safari 1000
- Cable de potencia DC
- Manual del Usuario

Opciones y accesorios



Sistema Inalámbrico de Mano
(WM-1S)



Sistema Lavaliere Inalámbrico
(WL-1S)



Sistema Inalámbrico Auricular
(WH-1S)

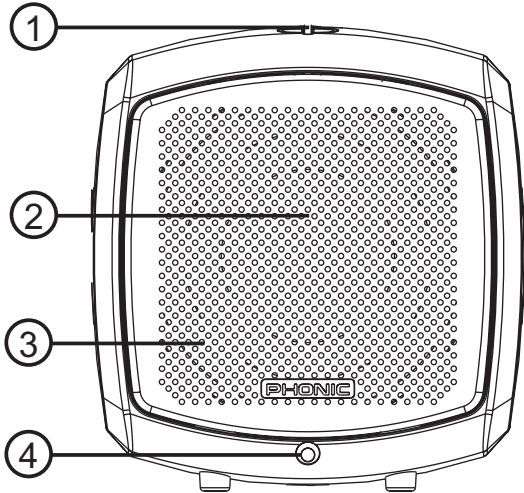
Opciones de combinaciones

Safari 1000 Lite incluye:

- ▶ Unidad de base Safari 1000 Lite
- ▶ Micrófono con cable en espiral
- ▶ Cubierta contra el polvo
- ▶ Correa para el hombro

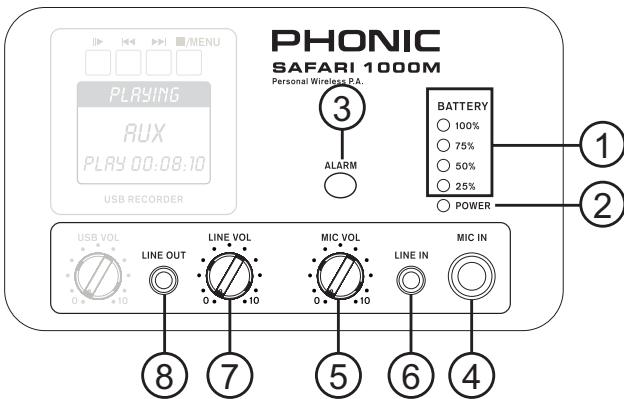
Safari 1000M incluye:

- ▶ Unidad de base Safari 1000M
- ▶ Sistema de micrófono de mano inalámbrico WM-1S
- ▶ Módulo de Reproducción USB y grabación
- ▶ Cubierta contra el polvo
- ▶ Correa para el hombro



Vista Frontal

- 1. Interruptor LED y manija de montaje superior
- 2. Altavoz de rango completo
- 3. Protección frontal para altavoz
- 4. Luz LED



Vista Lateral

- 1. Indicadores de estado de la batería**
El Safari 1000 tiene un indicador de estado de la batería de 4 LED. Cuando la batería si está lleno, el verde "100%" LED se mostrará. También hay indicadores que indican una carga 75%, 50% y 25%.
- 2. LED de encendido**
El LED "Power" azul se iluminará cuando el Safari 1000 se activa.
- 3. Botón de Alarma**
Pulsando este botón, el Safari 1000 emitirá un tono de alarma. Esto es ideal en situaciones de emergencia y cuando se trata de llamar la atención.
- 4. Entrada de micrófono**
Esta entrada acepta entradas Jack de 6.35mm y es ideal para la conexión de micrófonos.
- 5. Control de Mic**
Este control giratorio ajusta el nivel de entrada de la toma de entrada de micrófono.

6. Entrada de Línea

Esta "entrada de línea 1/8 mini-estéreo es ideal para la conexión de dispositivos como reproductores de MP3 y CD.

7. Control de la línea

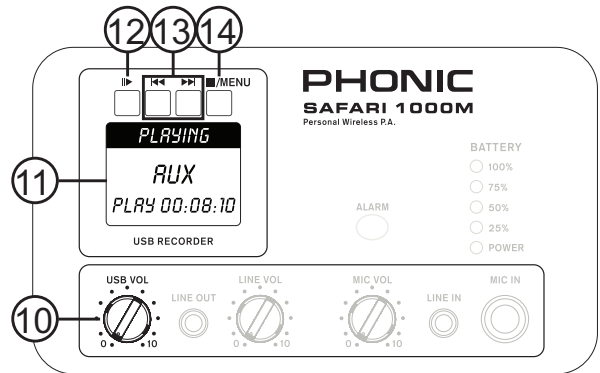
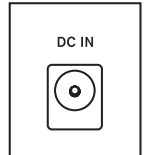
Este control giratorio le permitirá ajustar el volumen de la toma de entrada de línea.

8. Salida de línea

Este jack de salida 1/8" es perfecto para la conexión de dispositivos de grabación, tales como los ordenadores PC y grabadores de MP3.

9. Puerto de carga de CC (Posterior)

Conecte el adaptador de energía DC incluido a este puerto para cargar el Safari 1000. La clavija del adaptador de corriente debe estar conectada a una toma de corriente adecuada alimentación de CA.



Safari 1000M

10. Control de Nivel de USB

Utilice este control giratorio para ajustar el nivel del audio reproducido por el reproductor / Grabadora MP3.

11. Pantallas USB Drive

En la pantallas USB se mostrará el número de pista de la pista seleccionada / en reproduccion y el tiempo en segundos.

12. Reproducir / Pausa

Este botón permitirá a los usuarios reproducir archivos e insertar una pausa de una unidad flash USB.

13. Botones Hacia atrás / adelante

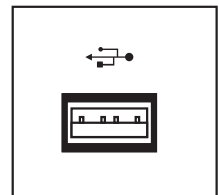
Estos botones se utilizan para alternar entre las pistas. Mantenga pulsado uno de estos botones le permiten saltar hacia adelante y hacia atrás en la pista.

14. Detener / Menú

Pulse este botón para detener la reproducción . Pulse de nuevo para acceder al menú principal de la unidad USB (para ajustar el archivo y las opciones de repetición).

15. Reproductor USB (Posterior)

Conectar la unidad flash USB a esta entrada. Una vez que el disco esté conectado, los archivos de inicio y la primera pista aparecerá en la pantalla en pausa. Phonic recomienda que el USB sea de formato FAT-32.



Reproducción

El reproductor USB soporta la reproducción WAV, WMA y MP3 a través de USB

1. Encienda el dispositivo.
2. Inserte un formato correcto (FAT32) unidad flash USB.
3. En el menú principal, seleccione "Reproducir" y pulse el botón PLAY.
4. Presione el botón PLAY para reproducir la pista actual, o los botones << >> para saltar hacia adelante y hacia atrás entre las pistas.
5. Presione el botón MENU mientras está en el modo de reproducción para acceder al explorador de archivos, eliminar funciones de archivo, modo de repetición y control de volumen.
6. Pulse y mantenga pulsado el botón MENU durante tres segundos para salir del modo de reproducción y volver al menú principal.

Carpetas - Libremente navegar por las canciones de cada carpeta en el disco flash USB con los botones << y >>. Pulse el botón PLAY para seleccionar, pulse el botón MENU para volver.

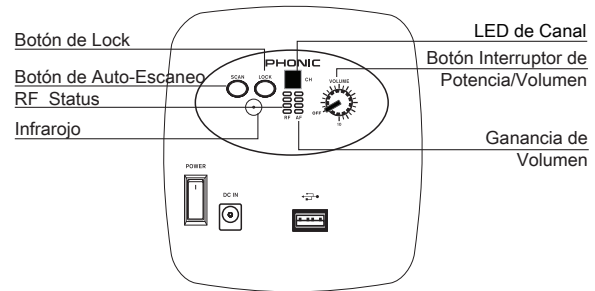
- Modo de Repetición** - Hay 4 modos de repetición disponibles.
- No Repeat** - Juega cada archivo de la carpeta actual o de la raíz por una vez.
 - Repeat one** - Constantemente repetir canción seleccionada.
 - Repeat Folder** - Constantemente repite toda la canción en la carpeta determinada o raíz.
 - Random** - Permite la reproducción aleatoria de los archivos en la carpeta o raíz actual.

Registro

- Los usuarios pueden grabar en formato WAV de alta calidad
1. Encienda el dispositivo.
 2. Inserte un formato correcto unidad flash USB (FAT32).
 3. En el menú principal, seleccione "Record" y pulse el botón PLAY para entrar en el modo de grabación.
 4. Seleccione entre los 192 kbit / s de los modos de grabación WAV de 128 kbit / s y presione el botón PLAY.
 5. Modo de grabación se iniciará en modo de espera / pausa. Pulse el botón Play / Pause para empezar a grabar. La unidad guardará el archivo grabado en el directorio RECORD en el dispositivo USB.
 6. Pulse el botón Reproducir / Pausa para detener la grabación. Al pulsar el botón de reproducción / pausa, volverá a activarse la grabación desde la posición en que se detuvo.
 7. Presione el botón MENU en cualquier momento para guardar la grabación. Una vez que se guarda la grabación, el sistema saltará automáticamente a la siguiente pista.
 8. Para salir del modo de reproducción y volver al menú principal, presione y mantenga presionado el botón MENU durante tres segundos.

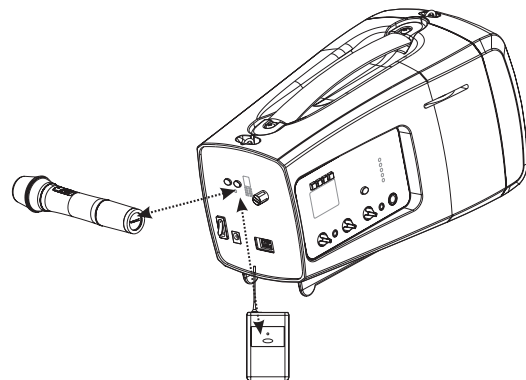
NOTA: El control giratorio USB ajustará el nivel de reproducción solamente y no afectará a los niveles de grabación. Los controles sólo nivel que afectarán el nivel de grabación son las que se encuentran en los canales de entrada individuales.

Micrófonos Inalámbricos (Safari 1000M)



Auto Escaneo de Un Solo Toque

1. Encienda el receptor inalámbrico Safari One-Touch Autoscan (WR-1) girando la perilla de volumen en sentido horario. Usted debe escuchar un sonido de clic del botón.
2. Encendido su micrófono de mano (WM-1) o de la unidad de petaca (WB-1)
3. Sostenga el WM-1 / WB-1 cerca contra el receptor WR-1 y pulse el botón Escanear de la WR-1 durante 4 a 5 segundos hasta que los dígitos LED de canal numéricos comienzan a cambiar de forma automática, lo que indica que la exploración automática es encontrar el mejor canal inalámbrico.

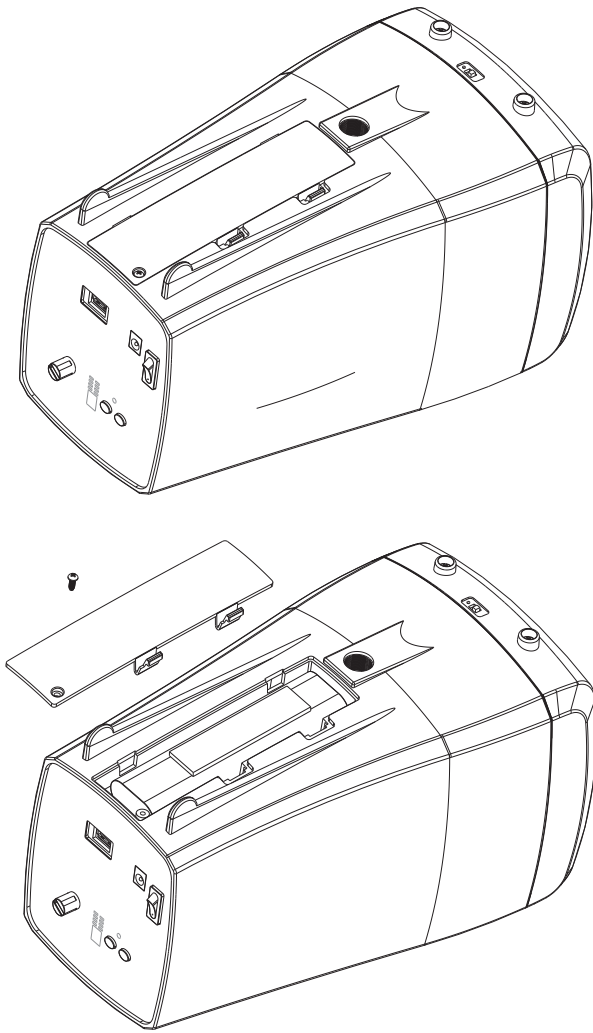


4. El proceso de exploración automática se termina cuando la pantalla LED se detiene en el canal óptimo. En este punto, los LED de RF se activarán. Si los LED de RF en el WR-1 no se encienden, la conexión no se ha establecido con éxito. Para reforzar la conexión, haga clic en el botón de bloqueo mientras se mantiene el WM-1 o WB-1 cerca del receptor.
5. Tras una conexión satisfactoria, los LEDs AF del WR-1 se activará mientras habla por el micrófono.

Escaneo Manual

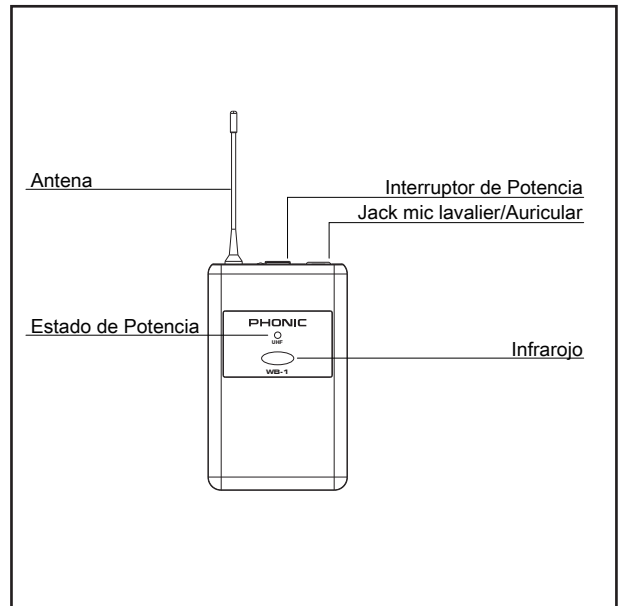
1. Encienda el receptor inalámbrico Autoscan Safari (WR-1) y el transmisor de micrófono (WM-1 o WB-1).
2. Presione el botón Escanear de la WR-1 durante 2 segundos. Los LED numéricos del WR-1 comenzarán a parpadear. Para seleccionar manualmente la frecuencia, continúe haciendo clic en el botón Scan hasta llegar al canal deseado.
3. Sostenga el WM-1 / WB-1 cerca contra el receptor y presione el botón de bloqueo para confirmar el canal y establecer el vínculo entre el transmisor y el receptor de micrófono. En este punto, los LED de RF se activará y los LEDs AF responderá a la señal del micrófono. Si no se establece la conexión, vuelva a intentar el proceso manual o exploración automática.

Remplazando la Batería

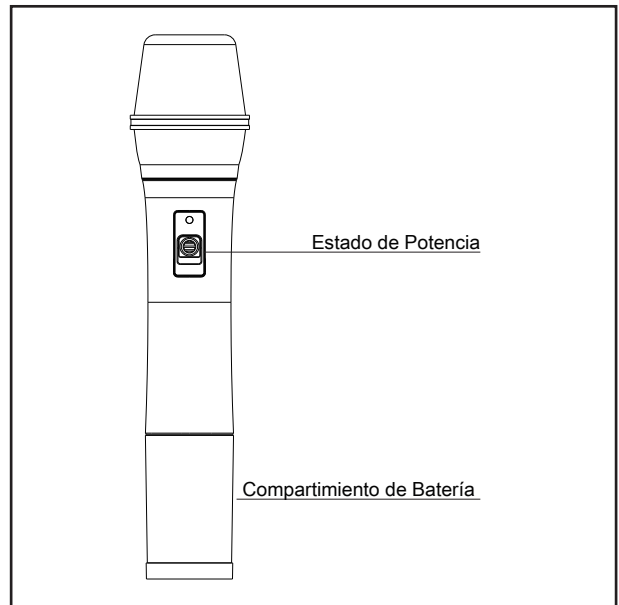


Operación

Beltpack



Handheld Microphone-Micrófono de Mano



Español

Especificaciones

	Safari 1000M	Safari 1000 Lite
Tecnología de amplificador	Clase D	Clase D
Potencia de salida	50 vatios pico / 25 vatios RMS	50 vatios pico / 25 vatios RMS
Tecnología de energía	Cambio	Cambio
Conductor	5.25 "Full Range	5.25 "Full Range
Respuesta de frecuencia	50 Hz - 18 kHz	50 Hz - 18 kHz
Entrada	1/4 "TRS y mini-equipo de música	1/4 "TRS y mini-equipo de música
Salida	Mini-estéreo	Mini-estéreo
Indicador de batería	Indicador de 4 fases	Indicador de 4 fases
Material del cuerpo	polímero moldeado	polímero moldeado
Grabadora USB / reproductor	Grabación: WAV; Reproducción: MP3/WAV	No Incluido
Micrófono	Inalámbrico UHF Micrófono con exploración automática, control de volumen	Micrófono con cable de 3' de caracol
Batería Spec	Litio 14.8V 2.6AH	Litio 14.8V 2.6AH
Funcionamiento con batería Tiempo	10 horas a la salida 80%	10 horas a la salida 80%
Dimensiones (H x W x D)	170 x 156 x 280 mm (6,7 "x 5,5" x 11")	170 x 156 x 280 mm (6,7 "x 5,5" x 11")
Peso	1,9 kg (4,1 libras)	1,7 kg (3,7 libras)

Especificaciones de Transmisor Inalámbrico

	WM-1 (Transmisor de Mano)	WB-1 (Transmisor Beltpack)
Gama de Frecuencia	500-875MHz (Seleccionable)	500-875MHz (Seleccionable)
Material construcción	ABS	ABS
Ancho de Banda	25MHz	25MHz
Emisiones Espuria	<-55dBc	<-55dBc
Máx. Gama de Desvío	±68KHz	±68KHz
Máximo Nivel de Entrada	148dB SPL	148dB SPL
Batería	AAx2 Alcalina, >8hr duración de batería	AAx2 Alcalina, >8hr duración de batería

Especificaciones de Recibidor Inalámbrico

	WR-1 (Recibidor Inalámbrico)
Gama de Frecuencia	500-875MHz (Seleccionable)
Modo de Oscilación	PLL sintetizado
Ancho de Banda	25MHz
Canales Predeterminados	16 canales Sin-interferencia
Modo de Recibidor	Tecnología de diversidad controlada por CPU
Control de Silenciador	Control silenciador automático optimizado
Pantalla	Canal de pantalla LED, 4 pantallas LED RF, 4 pantallas LED AF
Sensibilidad	6dBµV, at S/N>80dB
Máx. Gama de Desviación	±68KHz
Emisiones Espuria	<80dB
Respuesta de Frecuencia	50Hz~16KHz
S/N Relación	>100dBA
T.H.D.	<0.5% @ 1KHz (Dev.=40KHz)
Salida AF	300mV rms
Suministro de Potencia	DC 12~15V
Consumo de Corriente	<190 mA
Temperatura Operacional	-10~60°C

NOTAS: Favor de contactar con su vendedor representante para seleccionar la frecuencia óptima de su región

SERVICE AND REPAIR

For replacement parts, service and repairs please contact the Phonic distributor in your country. Phonic does not release service manuals to consumers, and advice users to not attempt any self repairs, as doing so voids all warranties. You can locate a dealer near you at <http://www.phonic.com/where/>.

WARRANTY INFORMATION

Phonic stands behind every product we make with a no-hassles warranty. Warranty coverage may be extended, depending on your region. Phonic Corporation warrants this product for a minimum of one year from the original date of purchase against defects in material and workmanship under use as instructed by the user's manual. Phonic, at its option, shall repair or replace the defective unit covered by this warranty. Please retain the dated sales receipt as evidence of the date of purchase. You will need it for any warranty service. No returns or repairs will be accepted without a proper RMA number (return merchandise authorization). In order to keep this warranty in effect, the product must have been handled and used as prescribed in the instructions accompanying this warranty. Any tampering of the product or attempts of self repair voids all warranty. This warranty does not cover any damage due to accident, misuse, abuse, or negligence. This warranty is valid only if the product was purchased new from an authorized Phonic dealer/distributor. For complete warranty policy information, please visit <http://www.phonic.com/warranty/>.

CUSTOMER SERVICE AND TECHNICAL SUPPORT

We encourage you to visit our online help at <http://www.phonic.com/support/>. There you can find answers to frequently asked questions, tech tips, driver downloads, returns instruction and other helpful information. We make every effort to answer your questions within one business day.

FCC Caution: To assure continued compliance, any changes or modifications not expressly approved by the party responsible for compliance could void the user's authority to operate this equipment. (Example - use only shielded interface cables when connecting to computer or peripheral devices).

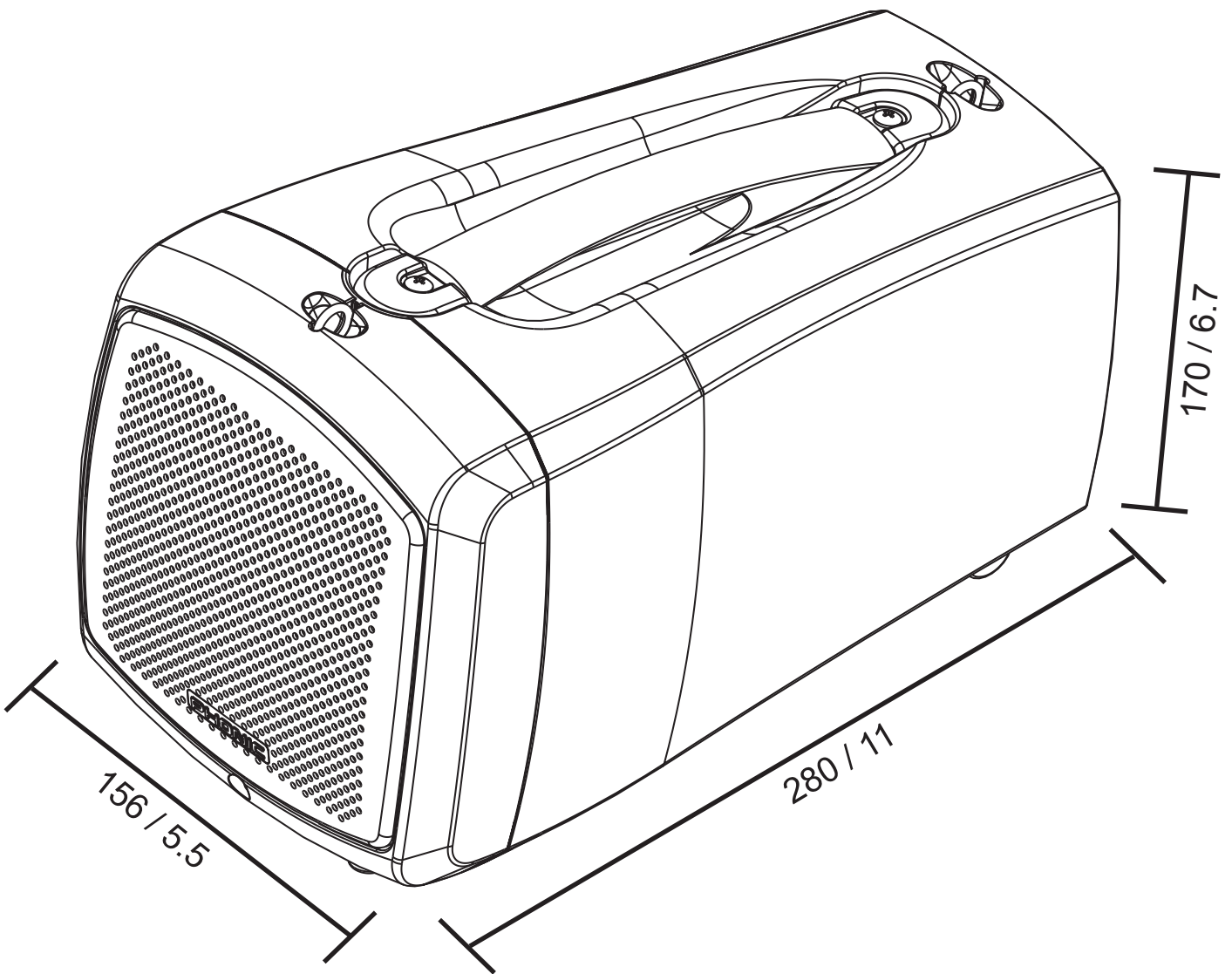
THIS DEVICE COMPLIES WITH PART 74 OF THE FCC RULES. This equipment complies with FCC RF radiation exposure limits set forth for an uncontrolled environment.



support@phonic.com
<http://www.phonic.com>

PHONIC

DIMENSIONS DIMENSIONES



Measurements are shown in mm/inches.
Todas las medidas están mostradas en mm/pulgadas.

PHONIC
WWW.PHONIC.COM