

NuForce

DDA120 Integrated Amp



FCC STATEMENTS

This device has been tested and found to comply with the limits for a Class B digital device, pursuant to Part 15 of the FCC Rules. These limits are designed to provide reasonable protection against harmful interference in a residential installation.

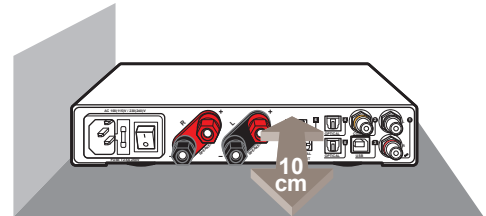
This equipment generates, uses and can radiate radio frequency energy and, if not installed and used in accordance with the instructions, may cause harmful interference to radio communications. However, there is no guarantee that interference will not occur in a particular installation. If this equipment does cause harmful interference to radio or television reception, which can be determined by turning the equipment off and on, the user is encouraged to try to correct the interference by one of the following measures:

- Reorient or relocate the receiving antenna.
- Increase the separation between the equipment and receiver.
- Connect the equipment into an outlet on a circuit different from that to which the receiver is connected.
- Consult the dealer or an experienced radio/TV technician for help.

SAFETY PRECAUTIONS

Observe the following **Safety Precautions** when operating the device.

- Only use the accessories that are included in the package.
- Do not expose the device to direct sunlight.
- Do not place the device in a damp condition or high humidity.
- Do not cover or block any ventilation openings of the device.
For proper ventilation, make sure there is at least 10cm clearance at the back of the unit.



- Do not drop the device or subject it to severe impact.
- Do not operate the device during thunderstorms.
- Protect all cables and power cord from being walked on or pinched.
- Keep the device away from water.
- Unplug the power cord before cleaning. Wipe the device with a clean, dry cloth.
- Do not attempt to repair this device yourself.

INTRODUCTION

The DDA-120 integrated power amplifier accepts analog, digital and Bluetooth audio inputs from computers, consumer entertainment and streaming devices without the complexity of an audio/video receiver.

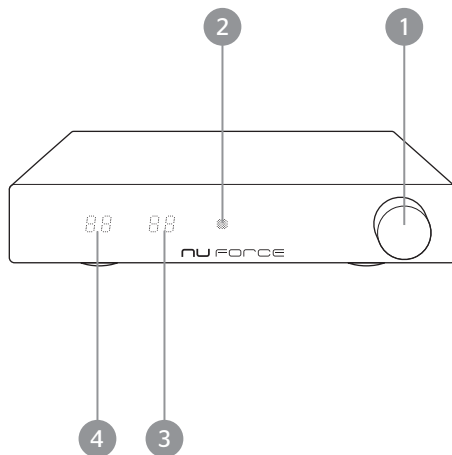
In order to have more input options, the DDA-120 accepts a full compliment of sources - one RCA analog, four digital via one USB, one coaxial, two optical inputs, and one expansion slot for a Bluetooth receiver dongle.

Features

- 176.4kHz input sampling rate
- 3GB/s over-sampling rate for smoother, more natural reproduction
- An on-chip clock reference signal for synchronizing incoming digital audio data -Data re-clocking results in ultra low jitter performance
- 100% linear frequency and phase response (+/- 0.1dB from 20 to 20kHz)
- THD+N = 0.07%
- Signal-to-noise ratio > 95dB A-weighted
- High-quality, audio-grade parts throughout

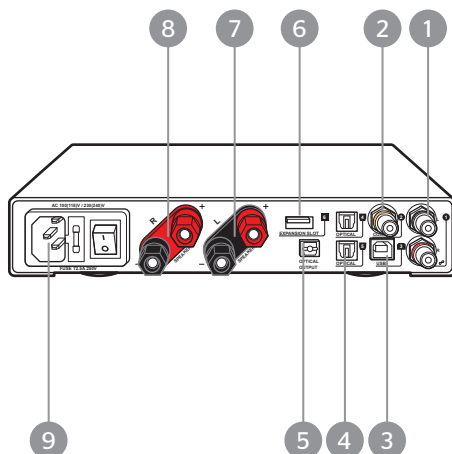
Product Overview

Front View



1. Power On/Off, Volume control, Switch Input
2. Receiver
3. Volume Display
4. Input Source Display

Rear View



1. **RCA Analog Input (Converted to 24-bit/96kHz)**
2. RCA Digital Coaxial Input (75-Ohm)
3. Digital USB2.0 Input (Adaptive mode)
4. Digital TOSLINK Input
5. Digital TOSLINK Output
6. Expansion slot / Bluetooth receiver dongle Input (Digital S/PDIF format)
7. Left channel speaker output (5-way binding post)
8. Right channel speaker output (5-way binding post)
9. AC Inlet

Basic Operating

To Power on/off



ON

ON: Pressing after turning back switch for 15 seconds



5 Sec ... OFF

OFF: Long pressing for 5 seconds

IMPORTANT!

Speaker Output: Connect the left and right speaker cables to the output terminals. In order to avoid shorting out the DDA-120, before turning on the power, please make sure that the polarity of the speaker cables is properly terminated to the loudspeakers and the DDA-120.

To select the desired input, simply press the Input button it cycles through all 4 inputs sequentially.



INPUT

Input R1 - RCA Analog

Input C2 - Coaxial

Input U3 - Digital USB2.0

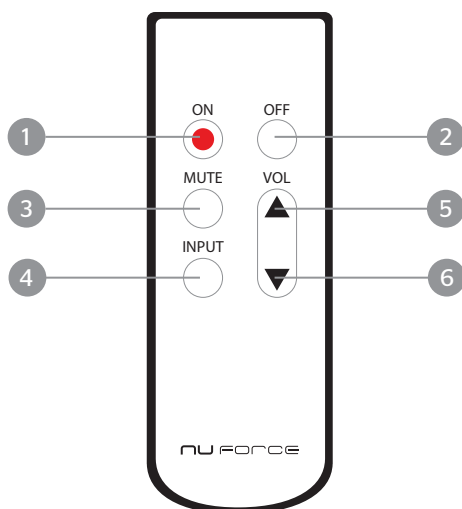
Input O4 - Optical Input #4

Input O5 - Optical Input #5

Input E6 - Expansion slot for a Bluetooth receiver dongle



Using the Remote Control



1. On : turns on the DDA-120
2. Off : turns off the DDA-120
3. Mute
4. Input : cycles through the DDA-120's six inputs
5. Vol ▲ : raises the volume
6. Vol ▼ : lowers the volume

Dim Mode

In the Dim Mode, when the unit idles for three seconds or more, the front LED turns off.

Note: When the LED is off, the unit is still operating. The LED will turn back on when the remote or knob are being employed.

To Enable Dim Mode:

Press and hold Power On button while pressing the Input button.

SPECIFICATIONS

Input	(1) x RCA Analog (converted to 24-bit/96kHz), (2) x Digital TOSLINK, (1) x RCA Digital Coaxial (75-Ohm), (1) x Digital USB2.0 (adaptive mode), (1) x expansion slot - Bluetooth receiver dongle (digital S/PDIF format)
Output	(1) x Speaker-level, (1) x Digital TOSLINK (output is pre-volume control & tracks input selection)
Frequency response	20 to 20kHz +/- 0.1dB
THD+N	0.07% @ 15W
SNR	> 95 dB A-weighted
USB Input Sampling Rates	44.1, 48, and 96kHz (maximum 96kHz)
S/PDIF Input Sampling Rates	44.1, 48, 88.2, 96, 176.4kHz
Peak Output Power	250W
Bit Resolution	16-24-bits
Dimensions (W x H x D)	9" x 2" x 8.5"
Weight	2.64 lb