

# BEHRINGER MicroHD HD400

## WELCOME TO BEHRINGER

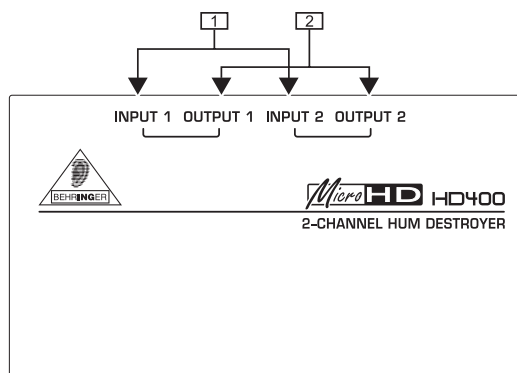
Thank you for showing your confidence in us by purchasing the BEHRINGER MicroHD HD400.

You can use this versatile, high-quality Hum Destroyer to:

- ▲ eliminate AC hum,
- ▲ break ground loops,
- ▲ convert back and forth between unbalanced and balanced signals.

To ensure excellent signal transmission at all times, the HD400 should be used in every setup.

## CONNECTORS



HA400 connectors

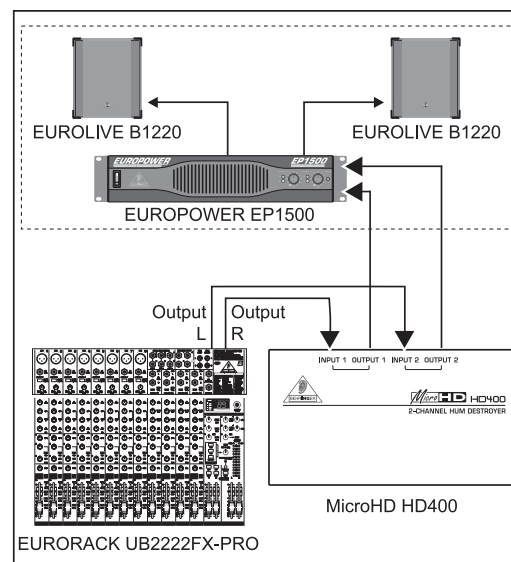
- 1 Both inputs of the HD400, *INPUT 1* and *INPUT 2* are laid out as 1/4" TRS connectors.
- 2 Both outputs of the HD400, *OUTPUT 1* and *OUTPUT 2* are laid out as 1/4" TRS connectors.

**SERIAL NUMBER.** The serial number of the HD400 is located at the bottom.

 **The HD400 is a passive device. Therefore, no power supply is needed.**

## APPLICATIONS

The following figure shows an example of how to use the MicroHD HD400.



Example: HD400 wiring

## WARRANTY

For our current warranty terms, please refer to our website at <http://www.behringer.com>.

Die deutsche Anleitung ist erhältlich @ [www.behringer.com](http://www.behringer.com)  
Manuel francophone en téléchargement sur [www.behringer.com](http://www.behringer.com)  
Manual en español disponible en [www.behringer.com](http://www.behringer.com)  
Manuali italiani disponibili @ [www.behringer.com](http://www.behringer.com)  
Русскоязычное руководство @ [www.behringer.com](http://www.behringer.com)  
Polska instrukcja dostępna jest pod adresem @ [www.behringer.com](http://www.behringer.com)  
Nederlandse handleiding beschikbaar @ [www.behringer.com](http://www.behringer.com)  
Suomenkielinen käyttöohje saatavilla osoitteesta [www.behringer.com](http://www.behringer.com)  
Svensk manual finns tillgänglig på [www.behringer.com](http://www.behringer.com)  
Dansk vejledning findes på @ [www.behringer.com](http://www.behringer.com)  
Manual português disponível @ [www.behringer.com](http://www.behringer.com)  
Ελληνικό εγχειρίδιο υπάρχει διαθέσιμο στη διεύθυνση [www.behringer.com](http://www.behringer.com)  
日本語版マニュアル @ [www.behringer.com](http://www.behringer.com)  
使用说明书可在 [www.behringer.com](http://www.behringer.com) 下载

# BEHRINGER MicroHD HD400

## SPECIFICATIONS

### INPUTS

Type 1/4" TRS connector, balanced  
Impedance approx. 500  $\Omega$

### OUTPUTS

Type 1/4" TRS connector, balanced  
Impedance approx. 600  $\Omega$

### DIMENSIONS/WEIGHT

Dimensions (H x D x W) approx. 1 1/4" x 2 1/4" x 4 1/16"  
(approx. 32 mm x 57.2 mm x 103.6 mm)  
Weight approx. 0.36 lbs (180 g)

BEHRINGER is constantly striving to maintain the highest professional standards. As a result of these efforts, modifications may be made from time to time to existing products without prior notice. Specifications and appearance may differ from those listed or illustrated.

## SAFETY INSTRUCTIONS

- 1) Read these instructions.
- 2) Keep these instructions.
- 3) Heed all warnings.
- 4) Follow all instructions.
- 5) Do not use this apparatus near water.
- 6) Clean only with dry cloth.
- 7) Install in accordance with the manufacturer's instructions.
- 8) Do not install near any heat sources such as radiators, heat registers, stoves, or other apparatus (including amplifiers) that produce heat.
- 9) Only use attachments/accessories specified by the manufacturer.
- 10) Use only with the cart, stand, tripod, bracket, or table specified by the manufacturer, or sold with the apparatus. When a cart is used, use caution when moving the cart/apparatus combination to avoid injury from tip-over.
- 11) Refer all servicing to qualified service personnel. Servicing is required when the apparatus has been damaged in any way, such as power supply cord or plug is damaged, liquid has been spilled or objects have fallen into the apparatus, the apparatus has been exposed to rain or moisture, does not operate normally, or has been dropped.

## INSTRUCCIONES DE SEGURIDAD

- 1) Lea las instrucciones.
- 2) Conserve estas instrucciones.
- 3) Preste atención a todas las advertencias.
- 4) Siga todas las instrucciones.
- 5) No use este aparato cerca del agua.
- 6) Limpie este aparato con un paño seco.
- 7) No instale el equipo cerca de fuentes de calor.
- 8) Use únicamente los dispositivos o accesorios especificados por el fabricante.
- 9) Confíe las reparaciones únicamente a servicios técnicos cualificados. Se requiere mantenimiento siempre que la unidad haya sufrido algún daño.

## УКАЗАНИЯ ПО ТЕХНИКЕ БЕЗОПАСНОСТИ

- 1) Прочитайте эти указания.
- 2) Сохраните эти указания.
- 3) Выполняйте эти указания.
- 4) Следуйте всем инструкциям по обслуживанию.
- 5) Не пользуйтесь прибором в непосредственной близости от воды.
- 6) Протирайте прибор сухой тряпкой.
- 7) Не располагайте прибор рядом с источниками тепла.
- 8) Применяйте только рекомендованные производителем дополнительные приборы/принадлежности.
- 9) Поручайте выполнение работ по обслуживанию прибора только квалифицированному персоналу сервисной службы. Техническое обслуживание требуется если прибор был каким-то образом поврежден.

## 安全にお使いいただくために

- 1) 取扱説明書を通してご覧ください。
- 2) 取扱説明書を大切に保管してください。
- 3) 警告に従ってください。
- 4) 指示に従ってください。
- 5) 本機を水の近くで使用しないでください。
- 6) お手入れの際は常に乾燥した布巾を使ってください。
- 7) 本機は熱源から離して設置してください。
- 8) 付属品は本機製造元が指定したのみをお使いください。
- 9) 故障の際は当社指定のサービス技術者に修理をご依頼ください。装置がある特定の原因によって故障が生じた場合、修理が必要となります。

## 详细安全说明

- 1) 请您阅读这些说明。
- 2) 请您妥善保存这些说明。
- 3) 请您注意所有的警告说明。
- 4) 请您遵守所有的操作说明。
- 5) 请您不要在未附近运行此机器。
- 6) 请您用于布清洁此机器。
- 7) 请您不要将此机器放置在热源附近。
- 8) 请您只使用制造厂认为合适的附加机器/配件。
- 9) 请您只允许具备资格的服务人员进行保养工作。当机器有损坏时,要进行维修保养。

ENGLISH

ESPAÑOL

РУССКИЙ

日本語

中文

Technical specifications and appearance subject to change without notice. The information contained herein is correct at the time of printing. The names of companies, institutions or publications pictured or mentioned and their respective logos are registered trademarks of their respective owners. Their use neither constitutes a claim of the trademarks by BEHRINGER® nor affiliation of the trademark owners with BEHRINGER®. BEHRINGER® accepts no liability for any loss which may be suffered by any person who relies either wholly or in part upon any description, photograph or statement contained herein. Colours and specification may vary slightly from product. Products are sold through our authorised dealers only. Distributors and dealers are not agents of BEHRINGER® and have absolutely no authority to bind BEHRINGER® by any express or implied undertaking or representation. No part of this manual may be reproduced or transmitted in any form or by any means, electronic or mechanical, including photocopying and recording of any kind, for any purpose, without the express written permission of BEHRINGER Spezielle Studiotechnik GmbH. BEHRINGER® is a registered trademark.

ALL RIGHTS RESERVED © 2005 BEHRINGER Spezielle Studiotechnik GmbH,  
Hanns-Martin-Schleyer-Str. 36-38, 47877 Willich-Münchheide II, Germany.  
Tel. +49 2154 9206 0, Fax +49 2154 9206 4603