

# HOME SCREEN



**SUGGESTED SPECIFICATIONS**

Fixed Frame projection screen with an aluminum frame. The aluminum frame is 8 cm wide and 3 cm deep with a beveled edge to reduce shadowing in the viewing area. The aluminum frame is finished with a matte black powder coating. The projection screen surface is attached to the rear of the screen with Velcro®. The aluminum frame parts are connected in the corners with corner plates. Standard the wall brackets are supplied.

**SCREEN SURFACES**

Matte White; Gain 1.0, viewing angle 120°, Flame retardant, max. height 375 cm, max. width 500 cm  
 High Contrast Cinema Vision; Gain 1.1, viewing angle 100°, Flame retardant, max. height 225 cm, max. width 300 cm  
 High Contrast Cinema Vision Sound; Gain 1.1, viewing angle 100°, Flame retardant, max. height 225 cm, max. width 300 cm  
 Da-Tex®: Gain 1.3, viewing angle 60°, Flame retardant, max. height 375 cm, max. width 500 cm

**DIMENSIONS (SELECT ONE OF OUR STANDARD SIZES AND ENTER THE REQUIRED QUANTITY)**

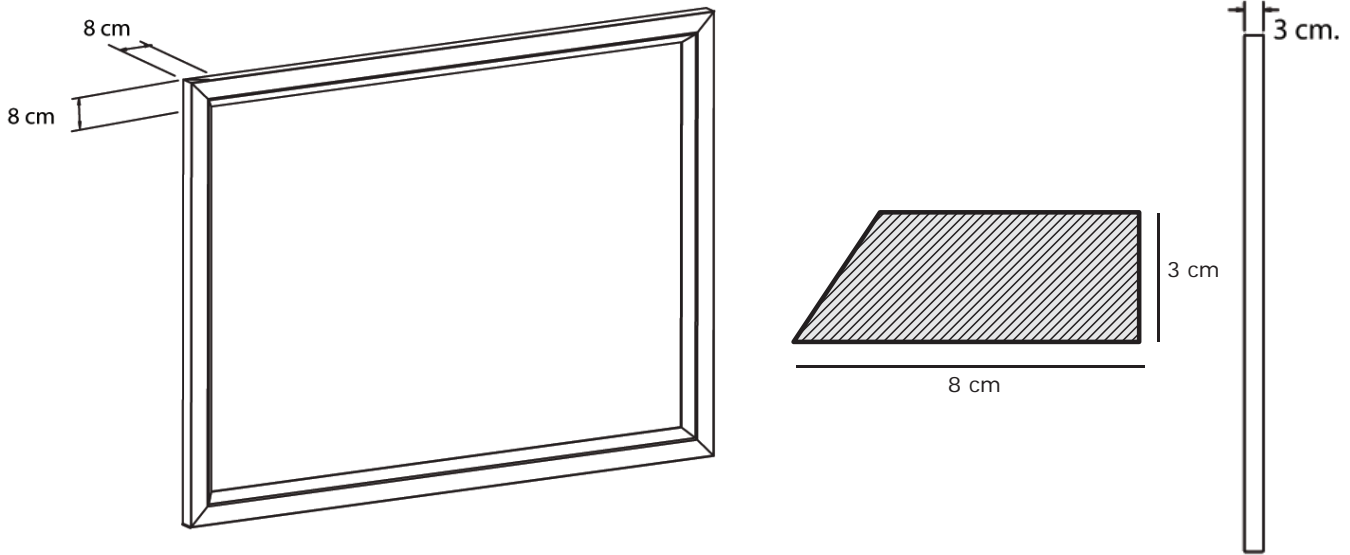
Aspect Ratio	Overall Dimensions	Viewing Area	Nominal Diagonal		Weight	Surfaces			
	h x w cm	h x w cm	cm	inches	in kg	Matte White	High Contrast Cinema Vision	High Contrast Cinema Vision Sound	Da-Tex®
4:3	106 x 136	90 x 120	152	60	7				
	136 x 176	120 x 160	200	79	9				
	151 x 196	135 x 180	225	89	10				
	166 x 216	150 x 200	254	100	11				
	181 x 236	165 x 220	275	108	11				
	196 x 256	180 x 240	302	119	12				
	226 x 296	210 x 280	350	138	14				
	241 x 316	225 x 300	375	148	16				
	316 x 416	300 x 400	500	200	21				
391 x 516	375 x 500	597	239	28					
16:9	84 x 136	68 x 120	138	54	6				
	106 x 176	90 x 160	183	72	8				
	118 x 196	102 x 180	207	81	9				
	128 x 216	112 x 200	229	90	10				
	140 x 236	122 x 220	249	98	11				
	151 x 256	135 x 240	277	108	11				
	173 x 296	157 x 280	320	126	12				
	185 x 316	169 x 300	345	136	13				
2.35:1	93 x 196	76 x 180	195	78	8				
	101 x 216	85 x 200	217	85	9				
	110 x 236	94 x 220	239	94	10				
	118 x 256	102 x 240	261	103	11				
	135 x 296	119 x 280	304	120	11				
	144 x 316	128 x 300	326	128	12				
16:10	116 x 176	100 x 160	189	74	8				
	129 x 196	112 x 180	211	83	9				
	141 x 216	125 x 200	236	93	10				
	154 x 236	137 x 220	259	102	11				
	166 x 256	150 x 240	283	111	11				
	191 x 296	175 x 280	330	130	12				
	204 x 316	187 x 300	353	139	13				

**CUSTOM SOLUTIONS**

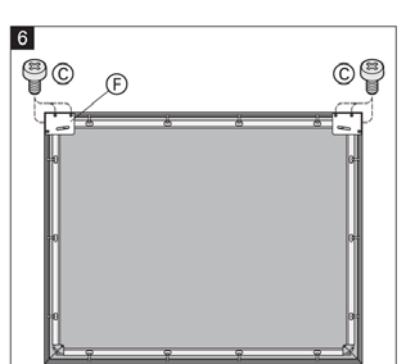
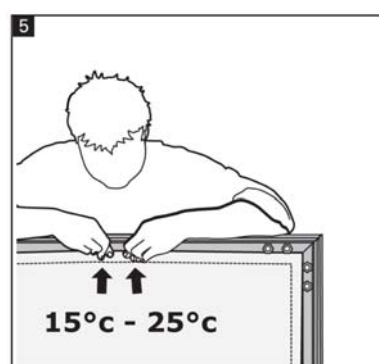
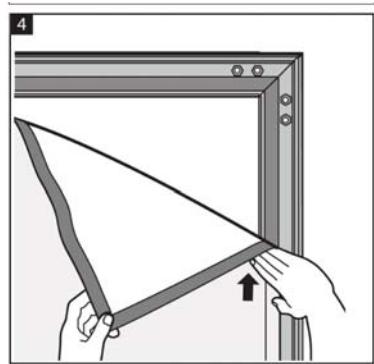
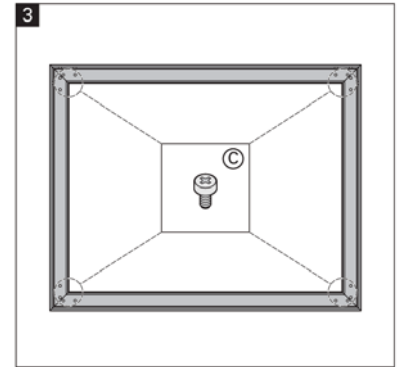
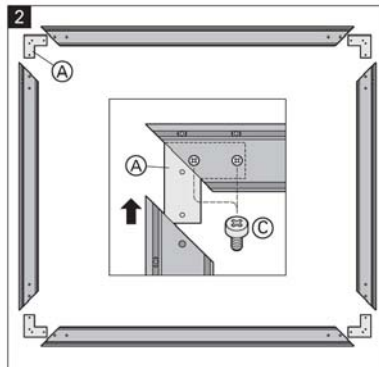
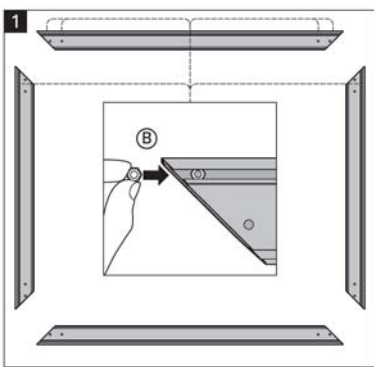
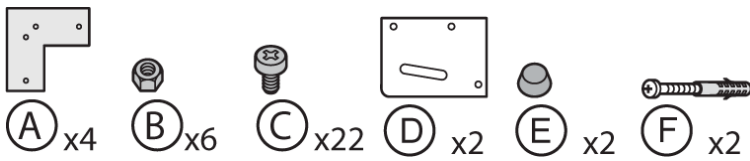
Give exact the sizes of the projection screen you need:  
 Viewing size: \_\_\_\_\_ Height (cm.) x \_\_\_\_\_ width (cm.) Surface: \_\_\_\_\_  
 RAL color frame: RAL \_\_\_\_\_  
 Remarks: \_\_\_\_\_

[www.projectascreens.com/screendesigner](http://www.projectascreens.com/screendesigner)

DIMENSIONS



INSTALLATION



Project: \_\_\_\_\_

Architect: \_\_\_\_\_

Phone: \_\_\_\_\_

Contractor: \_\_\_\_\_

Phone: \_\_\_\_\_

Supervisor: \_\_\_\_\_

Phone: \_\_\_\_\_

Supplier: \_\_\_\_\_

Date: \_\_\_\_\_

Revised: \_\_\_\_\_

