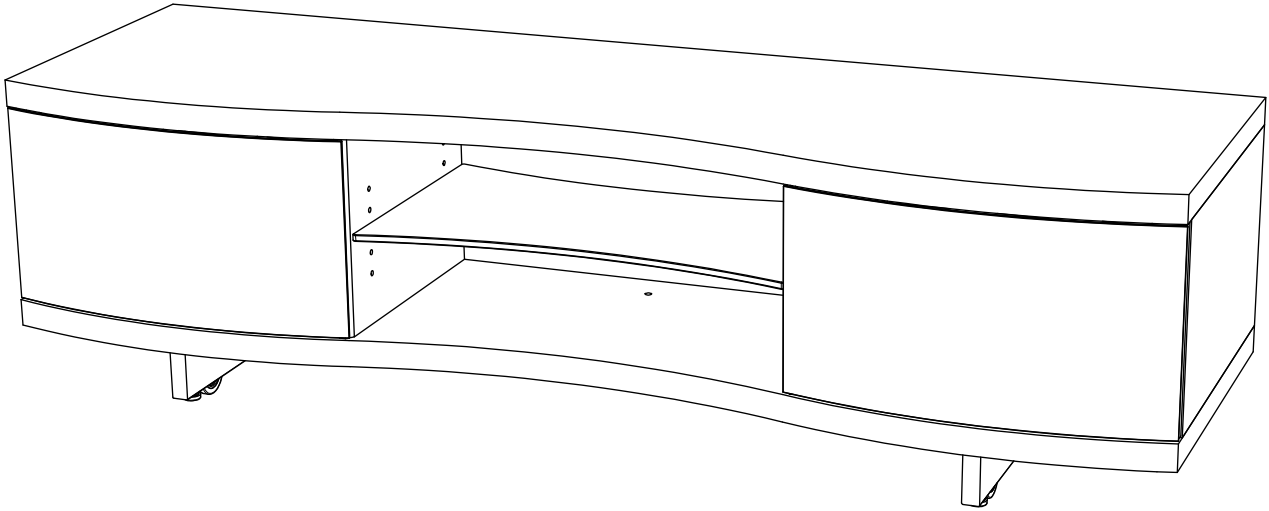


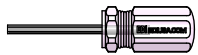
## Placement and Maintenance

OLA 8137 is designed for indoor use on level floors. Clean glass with glass cleaner, and wood veneer with a moist cloth.

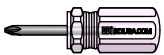


## Component List

OLA 8137 is engineered for easy assembly. Carefully follow this procedure to prevent any damage. Unpack and identify the components. The assembly workspace should be a non-marring surface such as clean carpet. Use a blanket on the floor to protect cabinet during assembly. For missing hardware pieces, please contact BDI Customer Service at [customerservice@bdiusa.com](mailto:customerservice@bdiusa.com). For all other concerns, please contact your BDI Retailer.



**A** - 4mm Hex Driver x 1  
To Attach Base Legs



**B** - Phillips Screwdriver x 1  
To Adjust Doors



**C** - 1/4-20 x 25mm  
Screw x 16



**D** - 1/4-20 x 60mm  
Screw x 2

**E** - Cabinet x 1

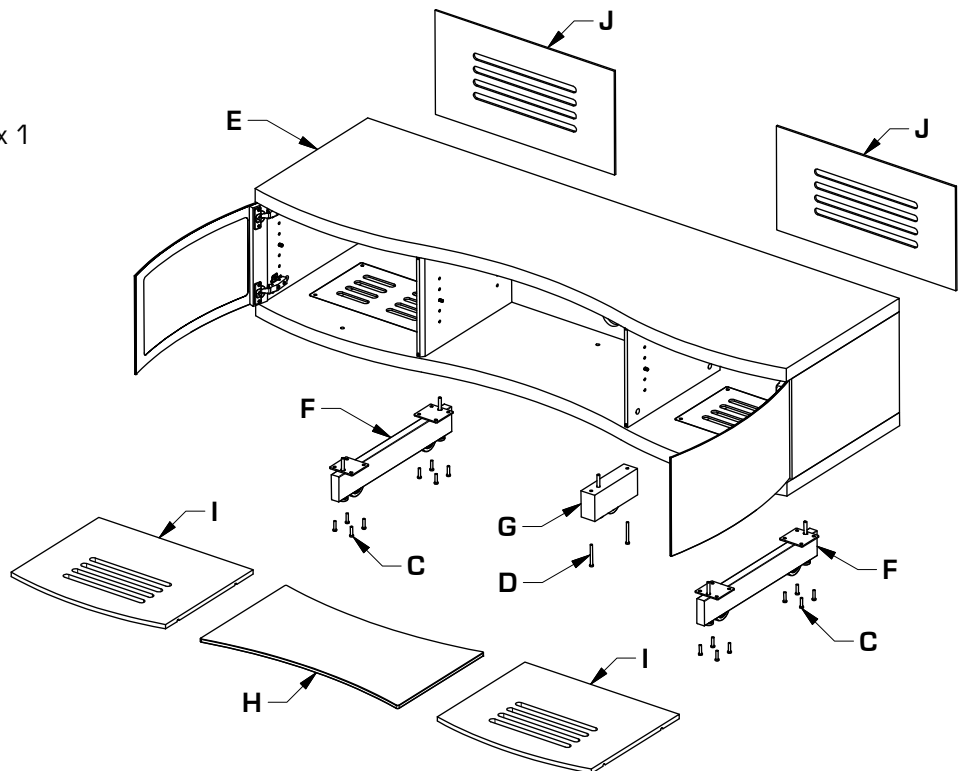
**F** - Metal Leg x 2

**G** - Wood Leg x 1

**H** - Glass Shelf x 1

**I** - Wood Shelf x 2

**J** - Back Panel x 2

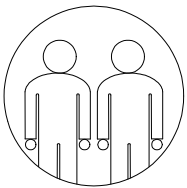
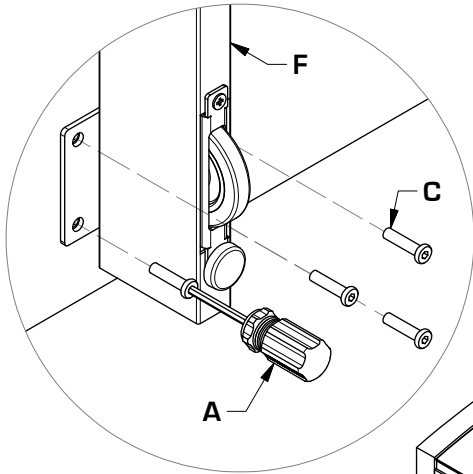


### Step 1

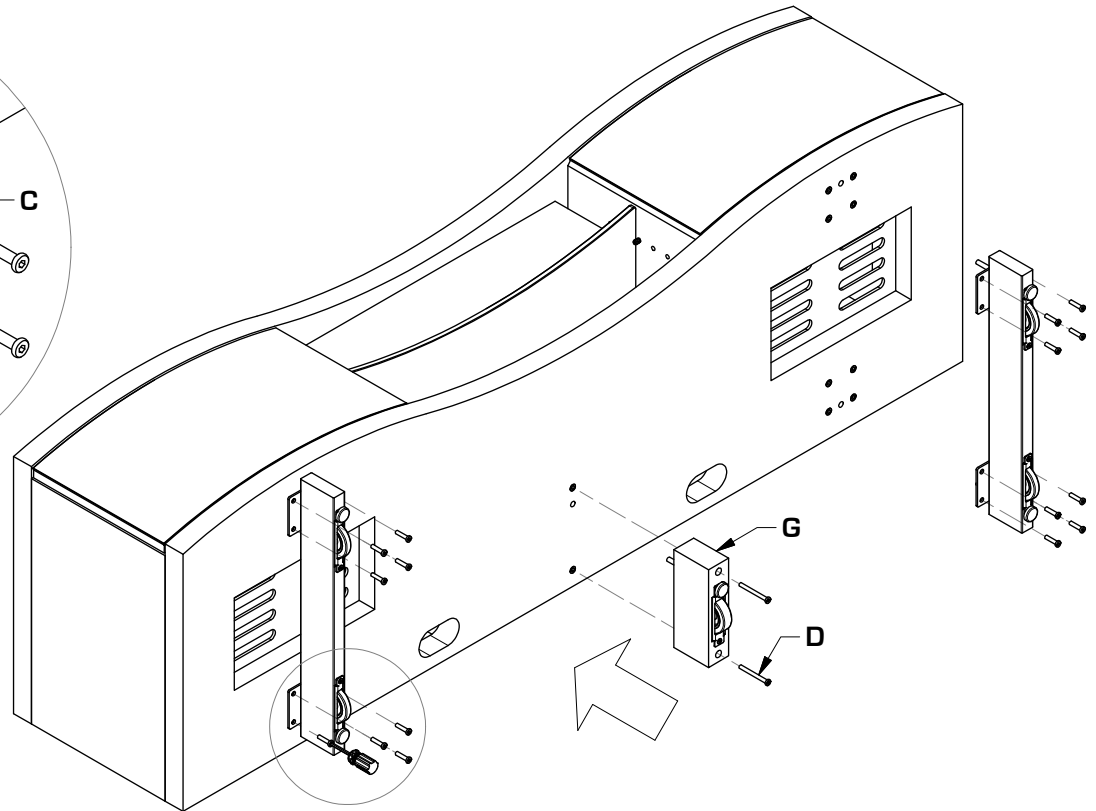
With the help of another person, position the cabinet on it's back.

Attach **Metal Legs (F)** to **Cabinet (E)** using **Screws (C)** and tighten with **Hex Driver (A)**.

Attach **Wood Leg (G)** to **Cabinet (E)** using **Screws (D)** and tighten with **Hex Driver (A)**.



Recommended  
2-person Step



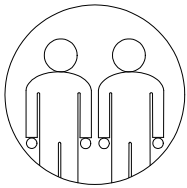
### Step 2

#### Turn Cabinet Over and Install Back Panels

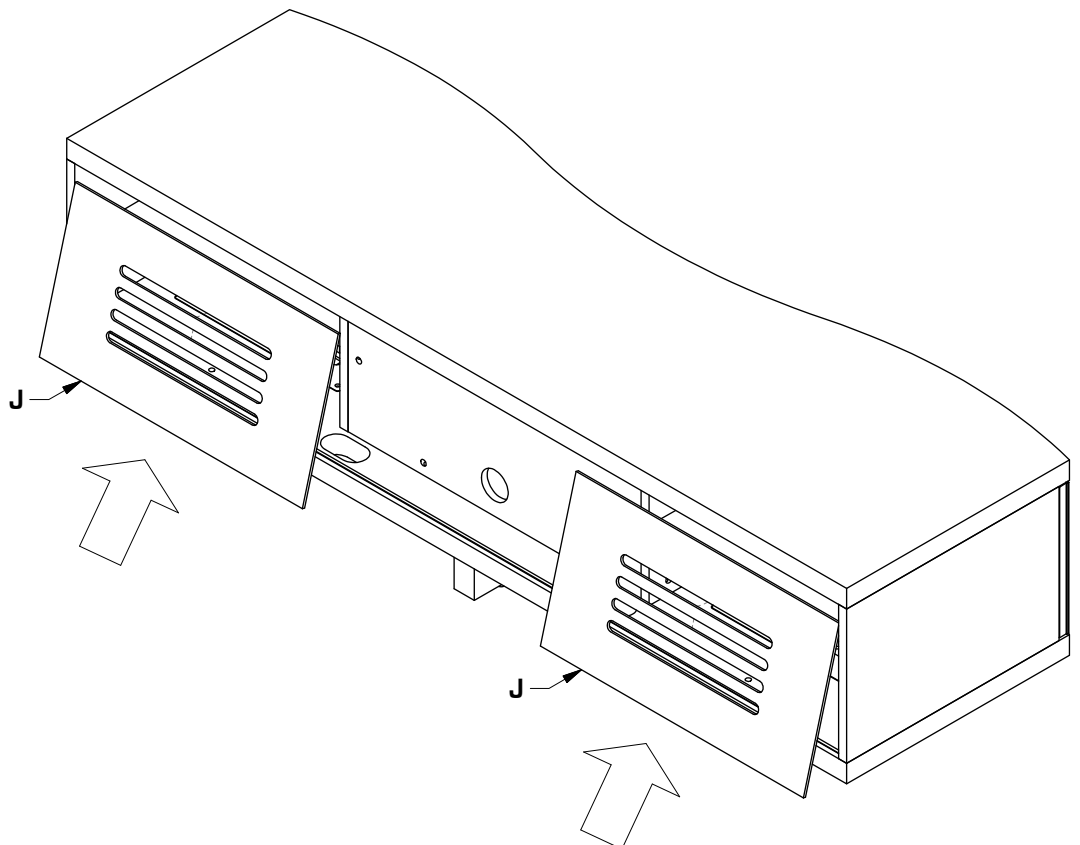
With the help of another person, position the cabinet right side up.

**CAUTION: Do Not Turn Cabinet Over on the Doors.**

Install **Back Panels (J)** to the back side of the cabinet by inserting top edge in upper channel, then tipping bottom edge forward and into lower channel.



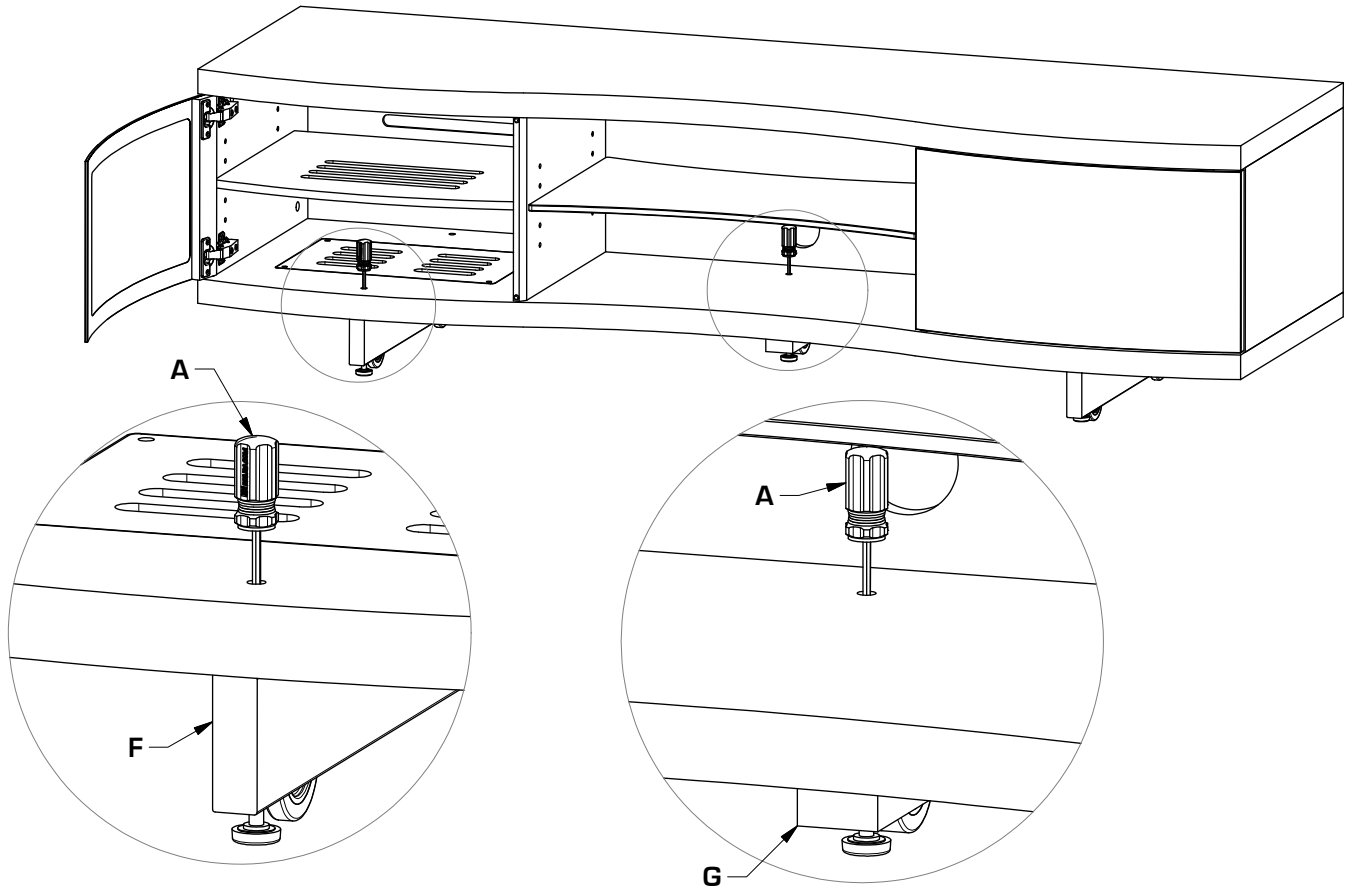
Recommended  
2-person Step



**Step 3**

Adjust Levelers as necessary

2 levelers for each **Metal Leg (F)** and 1 Leveler for **Wood Leg (G)**.



**Step 4**

Adjust Door Hinges as necessary

Using **Phillips Screwdriver (B)** adjust hinges as shown below

