

ALLEN & HEATH



Surface Getting Started Guide

C1500, C2500, C3500

Limited One Year Manufacturer's Warranty

Allen & Heath warrants the Allen & Heath -branded hardware product and accessories contained in the original packaging ("**Allen & Heath Product**") against defects in materials and workmanship when used in accordance with Allen & Heath's user manuals, technical specifications and other Allen & Heath product published guidelines for a period of ONE (1) YEAR from the date of original purchase by the end-user purchaser ("**Warranty Period**").

This warranty does not apply to any non-Allen & Heath branded hardware products or any software, even if packaged or sold with Allen & Heath hardware.

Please refer to the licensing agreement accompanying the software for details of your rights with respect to the use of software/firmware ("EULA").

Details of the EULA, warranty policy and other useful information can be found on the Allen & Heath website:

Repair or replacement under the terms of the warranty does not provide right to extension or renewal of the warranty period. Repair or direct replacement of the product under the terms of this warranty may be fulfilled with functionally equivalent service exchange units.

This warranty is not transferable. This warranty will be the purchaser's sole and exclusive remedy and neither Allen & Heath nor its approved service centres shall be liable for any incidental or consequential damages or breach of any express or implied warranty of this product.

Conditions Of Warranty

The equipment has not been subject to misuse either intended or accidental, neglect, or alteration other than as described in the User Guide or Service Manual, or approved by Allen & Heath. The warranty does not cover fader wear and tear.

Any necessary adjustment, alteration or repair has been carried out by an authorised Allen & Heath distributor or agent.

The defective unit is to be returned carriage prepaid to the place of purchase, an authorised Allen & Heath distributor or agent with proof of purchase. Please discuss this with the distributor or the agent before shipping. Units returned should be packed in the original carton to avoid transit damage.

DISCLAIMER: Allen & Heath shall not be liable for the loss of any saved/stored data in products that are either repaired or replaced.

Check with your Allen & Heath distributor or agent for any additional warranty information which may apply. If further assistance is required please contact Allen & Heath Ltd.



dLive products comply with the European Electromagnetic Compatibility directive 2014/30/EU and the European Low Voltage directive 2014/35/EU.

Any changes or modifications to the product not approved by Allen & Heath could void the compliance of the product and therefore the user's authority to operate it.

dLive C Surface Getting Started Guide

Copyright © 2016 Allen & Heath. All rights reserved.

ALLEN & HEATH

Allen & Heath Limited, Kernick Industrial Estate, Penryn, Cornwall, TR10 9LU, UK

IMPORTANT - Read before starting

Safety instructions

Before starting, read the **Important Safety Instructions** printed on the sheet supplied with the equipment. For your own safety and that of the operator, technical crew and performers, follow all instructions and heed all warnings printed on the sheet and on the equipment panels.

System operating firmware

The function of the dLive Surface is determined by the firmware (operating software) that runs it. Firmware is updated regularly as new features are added and improvements made.

Software licence agreement

By using this Allen & Heath product and the software within it you agree to be bound by the terms of the relevant **End User Licence Agreement** (EULA), a copy of which can be found at [You agree to be bound by the terms of the EULA by installing, copying, software.](#)

Further information

Please refer to the **Allen & Heath website** for further information, knowledgebase and technical support. For more information on dLive setup and mixing functions please refer to the dLive Firmware Reference Guide available for download at [.](#)

📌 Check for the latest version of this Getting Started Guide.

You can also join our Allen & Heath Digital Community to share knowledge and information with other dLive users.

General precautions

- Protect the equipment from damage through liquid or dust contamination. Cover the Surface when it is not being used for a long period.
- If the equipment has been stored in sub-zero temperatures allow time for it to reach normal operating temperature before use at the venue. Recommended operating temperature is 0 to 35 degrees Celsius.
- Avoid using the equipment in extreme heat and direct sunlight. Make sure the ventilation slots are not obstructed and that there is adequate air movement around the equipment.
- Clean the equipment with a soft brush and dry lint-free cloth. Do not use chemicals, abrasives or solvents.
- It is recommended that servicing is carried out only by an authorised Allen & Heath agent. Contact details for your local distributor can be found on the Allen & Heath website. Allen & Heath do not accept liability for damage caused by maintenance, repair or modification by unauthorised personnel.
- To prevent damage to the controls and cosmetics, avoid placing heavy objects on the control surface, scratching the surface or touchscreen with sharp objects, or rough handling and vibration.

Register your product

Register your product online at [.](#)

Packed items

Check you have received the following:

- dLive Surface
- Getting Started Guide AP10826
- Safety Sheet
- IEC mains lead
- Dust cover

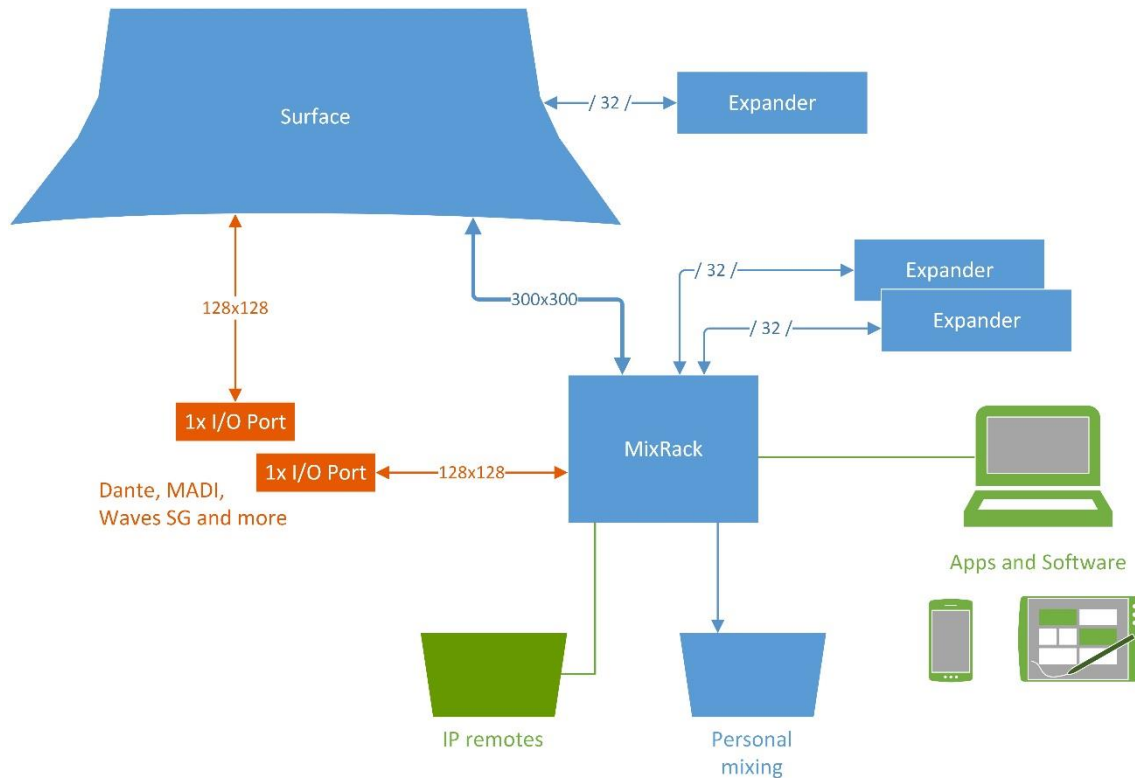
Contents

IMPORTANT - Read before starting	3
Packed items	4
Contents	4
1. Introduction.....	5
1.1 dLive Surfaces	5
2. Rear Panel	7
3. Front Panel	10
3.1 Harmony UI.....	12
3.2 Screen modes.....	13
3.3 Fader strip.....	14
3.4 Working with the Mix.....	15
4. Connect and power up	16
4.1 MixRack connection.....	16
4.2 Recall a Template Show	16
4.3 Expander connection.....	16
4.4 Connect a laptop or wireless router	17
5. Dimensions.....	18
6. Technical specs.....	19

1. Introduction

dLive is a distributed digital mixing system providing a uniquely flexible solution for any live sound application. It separates the mix engine from the control surface, putting the audio and processing where it is needed, and offering a host of control and audio networking possibilities. Refer to the Allen & Heath website to find out more about dLive.

The **MixRack** is the heart of any dLive system. It houses the XCVI processing core complete with audio I/O, control and audio networking ports. The **Surface** is effectively a network controller for the MixRack, with the addition of built-in audio I/O and audio networking ports. DX Expanders can be added to the system for extra I/O.

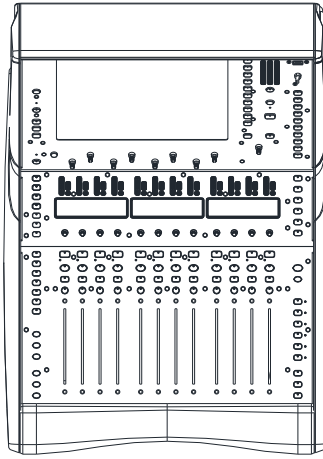


1.1 dLive Surfaces

There are different sizes of dLive Surface available. The C1500, C2500 and C3500 feature the same I/O and differ only in the number of faders and touchscreens. The S3000, S5000 and S7000 offer more I/O, an extra I/O Port, redundant power supplies and dual redundant gigaACE and DX connections. Refer to their Getting Started Guide for further detail.

dLive Surface features at a glance:

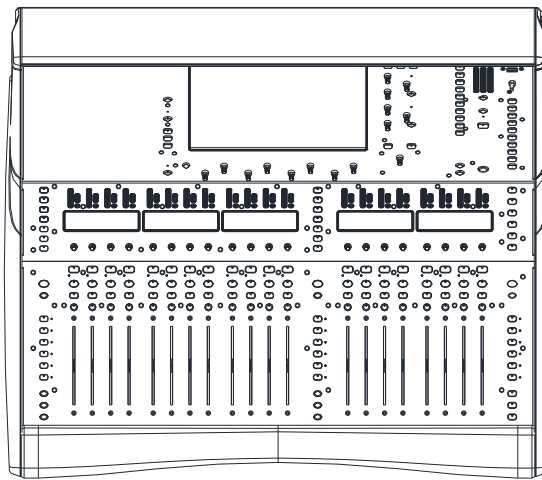
- Fully assignable layout
- Single or twin 12" capacitive touchscreen
- Gesture control – pinch, swipe, drag 'n drop
- Configurable widget areas for Scenes, meters, FX and more
- 19 assignable SoftKeys (26 on S3000, S5000, S7000)
- Engineer's Wedge and IEM fader strips
- Comprehensive multipoint metering
- Daylight visibility
- USB stereo recording and playback



C1500

12 faders, 6 layers = 72 strips

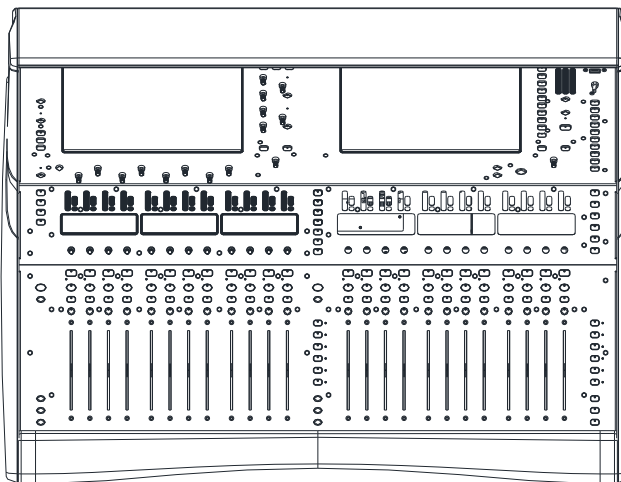
Single screen



C2500

20 faders, 6 layers = 120 strips

Single screen

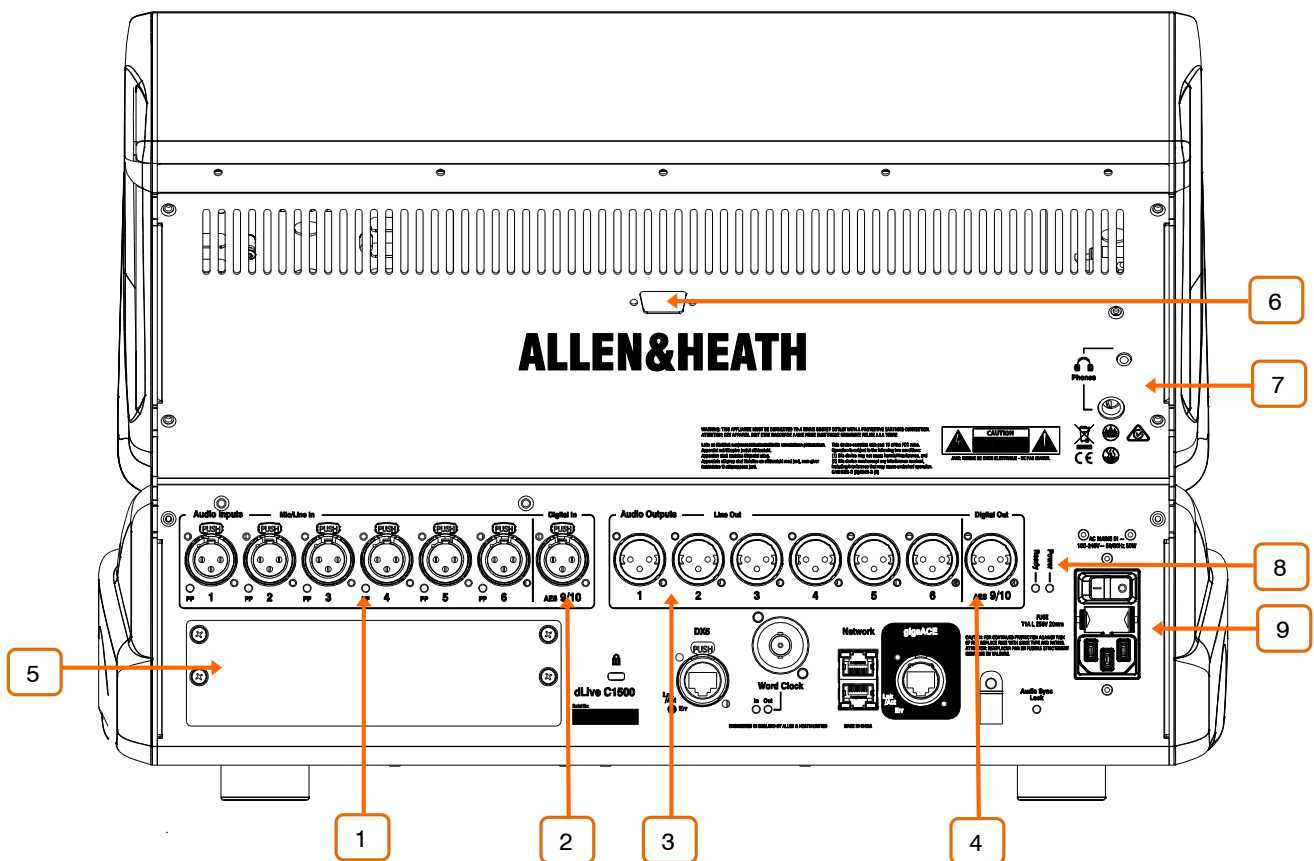


C3500

24 faders, 6 layers = 144 strips

Twin screen

2. Rear Panel



1 Mic/Line inputs – 6x recallable preamps for balanced or unbalanced microphone and line level signals. Gain, Pad and 48V are digitally controlled within the preamp.

The PP indicator lights up when phantom power voltage is detected at the socket, whether internally or externally sourced.

Any socket can be patched to any Input Channel using the **I/O** or **Processing / Preamp** screen.

2 Digital inputs – Stereo AES3 input (32kHz – 96kHz sampling rate). Sample Rate Conversion can be bypassed.

Any socket can be patched to any Input Channel using the **I/O** or **Processing / Preamp** screen.

3 Line outputs – 6x line level, balanced XLR outputs. Nominal level +4dBu. The outputs are relay protected to prevent power on or off thumps.

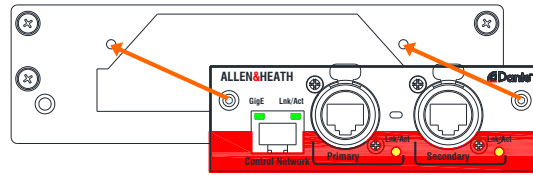
Signals can be patched to any output socket using the **I/O** screen.

4 Digital outputs – Stereo AES3 output (48kHz or 96kHz switchable).

Signals can be patched to any output socket using the **I/O** screen.

5 I/O Port – Audio interface port, 128x128 channels. Fit one of the option cards available for system expansion, digital mic splitting, recording or distributed audio networking. Refer to [link] for a list of available option cards.

- iLive / GLD option cards (M-Dante, M-Waves, M-ES-V2, M-ACE, M-MADI) can be used with dLive when fitted with the M-DL-ADAPT 'letter-box' adapter. This provides a 64x64 48kHz interface with built-in Sample Rate Conversion.



Use the **I/O** screen to patch signals from or to the I/O Ports.

- 6 Screen Out** – VGA port for connection of an external monitor. The external monitor can mirror either of the touchscreen views or display a third view. Use the **Surface / Screen** screen to configure.

External touchscreens are not supported.

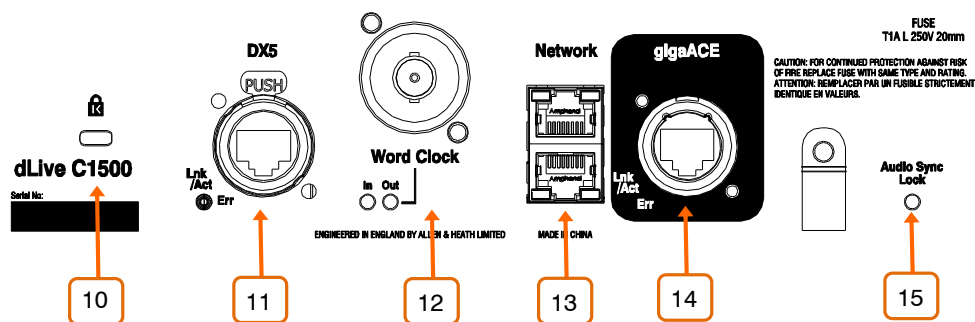
- 7 Phones** (C1500 only) - Standard 1/4" and 1/8" jack sockets. Another pair of sockets is located under the armrest.

- 8 Status indicators** – Power ON indicator. The Ready indicator lights up when the output sockets are ready to pass audio after power up.

- 9 Power Supply** – Mains IEC socket, fuse and On/Off rocker switch.

Heed the safety warnings printed on the panel.

A plastic P-clip cable clamp is provided to secure the mains cable. Slot the cable in or lock it in place using a star Torx® T20 screwdriver to refit the clamp around the cable.



- 10 Kensington Lock** - A slot for fitting standard Kensington anti-theft security devices.

- 11 DX link** – EtherCon port for connection of a DX expander over Fast Ethernet (IEEE 802.3 Layer 2 compliant). A single Cat5e (or higher) cable carries 32x32 channels of 96kHz audio and control.

Use the **I/O** screen to patch signals from or to the DX expanders.

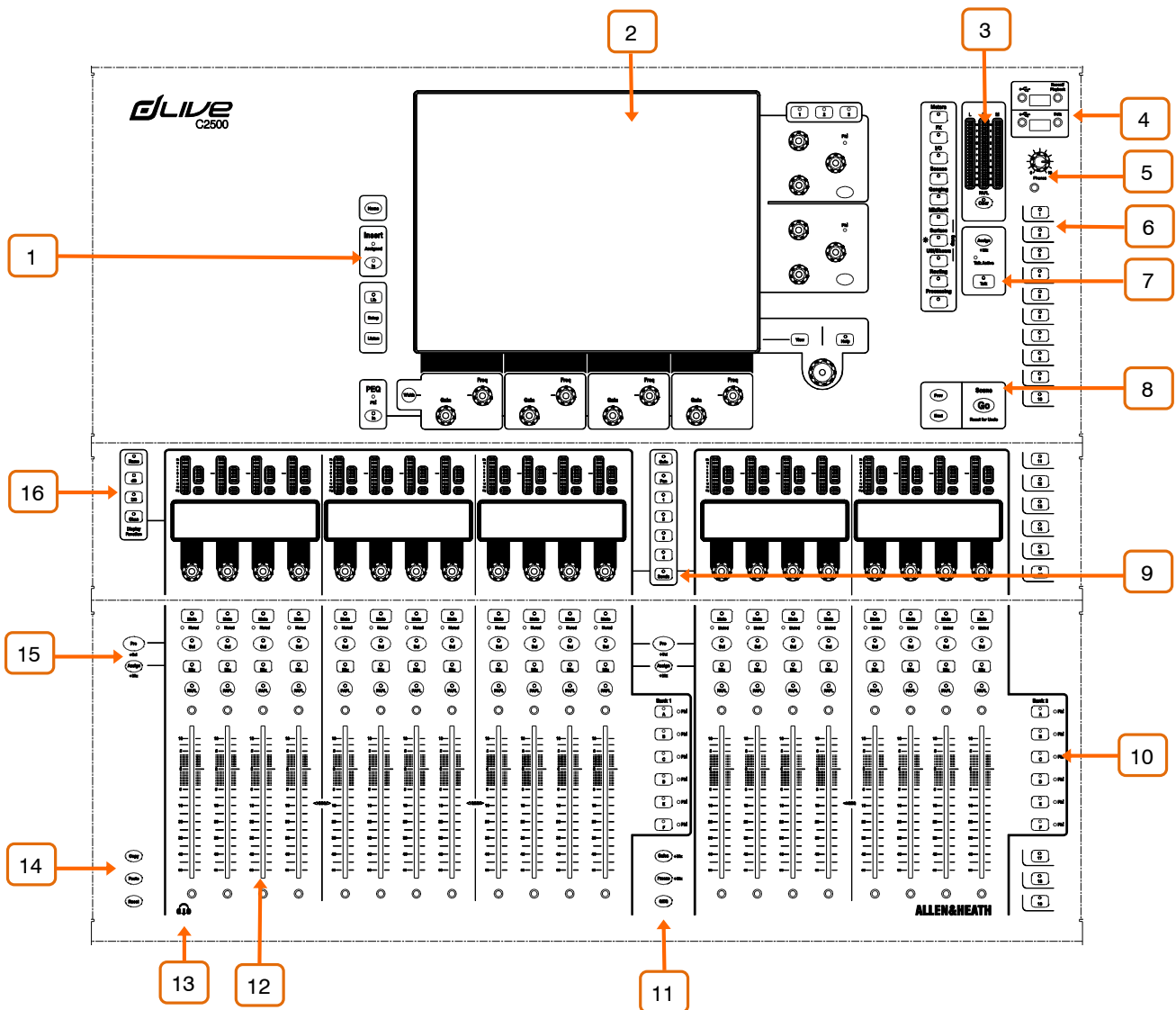
- 12 Word Clock I/O** - BNC connector for syncing from an external audio clock or providing a clock to other devices.

- 13 Network** – 2 RJ45 Gigabit Ethernet ports. Connect a laptop or a wireless router to use with dLive Editor or iOS apps. All devices on the network must have compatible IP addresses.

14 **gigaACE link** – MixRack to Surface link over Gigabit Ethernet (IEEE 802.3 Layer 2 compliant). A single Cat5e (or higher) cable carries bidirectional 96kHz audio and control.

15 **Audio Sync Locked** – Indicates a valid clock source.

3. Front Panel



1 Channel Processing – Press a fader strip **Sel** key to access the processing for the input or mix channel assigned to it. Read the Harmony UI paragraph below for further information.

2 Touchscreen – Single or twin 12” capacitive touchscreen with gesture control and daylight visibility. Read the Harmony UI paragraph below for further information.

3 Main / PAFL meters – LCR meters with PAFL active indicator. Press **PAFL Clear** to cancel any active PAFL.

4 USB ports – The upper port is dedicated to stereo WAV file recording and playback. The lower port is for data transfer of Show files, Libraries, event logs and firmware updates.

5 Phones – Analogue volume control for the headphones output.

6 SoftKeys – 19 user assignable keys. Assign functions using the **Surface / Control / SoftKeys** screen.

7 Talkback – Press to Talk latching or momentary key and Talk Active indicator. Hold down Assign and press any master **Mix** key to assign.

8 Scene navigation – Press **Go** to recall the Next scene as indicated in the upper right corner of the system screen. This Scene is highlighted in green in the Scenes menu and Scenes widget. Use the **Prev** and **Next** keys to select the Next scene before recalling.

Hold down Reset and press **Go** to Undo an accidental recall and restore previous settings.

9 Strip rotary mode – Select the function of the fader strip rotary encoders. The fader strip rotaries can control preamp Gain, Pan, Sends to the active Mix, and 4 assignable functions. Assign these using the **Surface / Control / Preferences** screen. The colour of the rotary LED matches the active function e.g. red for Gain, yellow for Pad; it follows the colour of the active Mix when in Sends mode.

The **Sends** function puts control of send levels to the active Mix on the strip rotaries, while the faders control the channel levels to the main mix i.e. it temporarily inhibits 'sends on faders'.

10 Layers – Navigate 6 layers of fader strips per each bank. The red peak indicators light up when any channel in the associated layer is within 5dB of clipping, so you can keep a check on signal activity across the layers.

Banks can be linked using the **Surface / Control / Preferences** screen – the Layer keys will affect all linked banks. For example you might want all input strips across 2 banks to stay 'in sync' when changing layer.

11 Safes – Hold down and press a strip **Mix** key to make the channel safe from Scene recall. To make only a selection of parameters safe, use the **Scenes / Scene Safes** screen.

Freeze in Layers – Hold down and press a strip **Mix** key to lock a channel in place across all layers.

GEQ on Faders – Presents the GEQ for a selected mix on the faders. Press to toggle between high and low frequencies, and exit. Frequency values are shown on the strip LCD displays and the strip meters show RTA activity of each frequency band and peak band indication. This is useful for ringing out monitors or identifying trouble frequencies.

The mix master fader is presented on the right hand strip while in this mode.

12 Fader Strips – Provide control of Input channels, FX returns, Mix masters, DCAs, engineer's Wedge / IEM monitor, or MIDI. Read the Fader Strip paragraph below for further information.

The strip layout is user assignable and stored in Scenes. Use the **Surface / Control / Strip Assign** screen to edit the strip layout.

13 Phones - Standard 1/4" and 1/8" jack sockets are located under the armrest.

14 Copy – Hold down and press:

- A strip **Sel** key to copy the channel processing.
- A strip **Mix** key to copy the mix assignments and send levels.
- Any highlighted area of the touchscreen to copy the settings of a specific processing block.

Paste - Hold down and press a **Sel** key, **Mix** key or highlighted area of the touchscreen to paste copied settings.

Reset - Hold down and press a **Sel** key, **Mix** key or highlighted area of the touchscreen to reset the related parameters to factory default.

Hold down Reset and nudge a fader up or down to quickly set it to 0dB or off.

15 Assign – Hold down and press a strip **Mix** key to toggle its assignment to the active Mix on or off.

Pre/Post – Hold down and press a strip **Sel** key to toggle sends to the active Mix pre or post fade.

Toggle all channels on/off or pre/post by pressing a master **Mix** or **Sel**.

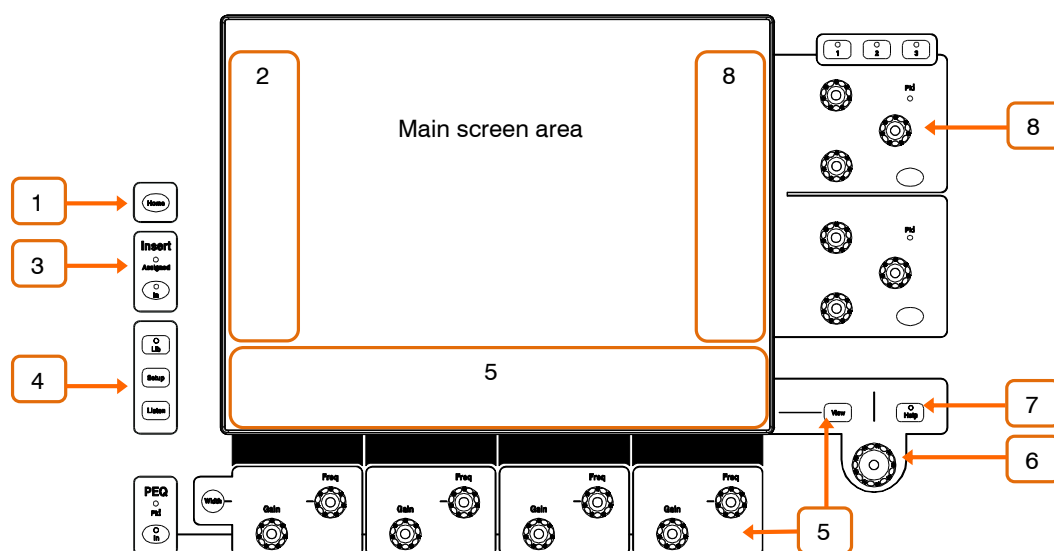
Assignments and pre/post settings for the selected channel or Mix are also available in the **Routing** screen.

16 LCD Display mode – Select the information shown in the strip LCD Displays. Read the Fader Strip paragraph below for further information.

3.1 Harmony UI

The C3500 has two screens: the left screen is dedicated to channel processing, while the right screen displays status, system setup, memory management menus and more. The C1500 and C2500 have a single screen which incorporates both functions.

dLive integrates the touchscreen with a set of 'wrap-around' controls colour-coded for intuitive and quick operation. Dedicated areas of the screen display values and status of the corresponding controls; some are configurable or user assignable (widget areas). Tapping on any of these areas will open the associated tab in the main screen area.



1 Home – Press to restore a familiar state of the Surface. Home restores default active layers, screen modes, active Mix, strip rotary mode and channel LCD view.

i Home does not affect channel processing, strip layout, illumination or any other setting which is stored in Scenes.

2 Preamp and Filters – This area of the screen is dedicated to the channel preamp and filters.

3 Insert – Insert In switch and Assigned indicator. The indicator is lit when any of the channel Insert points is assigned.

4 Lib – Press to access the preset Library for the channel or processing block in focus. A popup menu lets you Recall, Store, Overwrite or Delete libraries. Press Lib again to exit.

Setup – Hold down and tap on any highlighted area of the screens to configure it. For example, touch a widget area to set up functions, views or controls. Touch on the main screen area to access options further to those displayed.

Listen – Hold down and tap on any highlighted area of the screen to listen to that point in the signal path of the selected channel. The signal temporarily overwrites the PAFL bus and associated meters.

5 **PEQ** – In switch, peak indicator, Frequency and Gain controls for the 4 bands of parametric EQ. Hold down **Width** and turn the Frequency controls for width adjustment.

A dedicated area of the screen displays the PEQ parameters and/or response curve, either individually for the 4 bands or full range. This area can also be configured for other functions, for example as a scrollable meter-bridge. Hold down **Setup** and touch this area to configure. Press **View** to toggle between the configured views.

6 **Touch & Turn** – Touch a parameter or setting in the main screen area and adjust its value with the rotary control.

7 **Help** – Press to display a brief contextual help for the active screen.

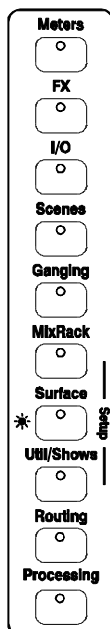
8 **Soft Rotaries** (not on C1500) – 2 blocks of 3 assignable rotaries over 3 layers. Each block has its own In switch and peak indicator.

A dedicated area of the screen displays the parameters for the assigned controls and thumbnail indicators where available. Hold down **Setup** and touch this area to configure. Press the keys on top of the rotaries, or swipe within the widget area to toggle between the 3 layers.

i Note that the Soft Rotaries can be configured to follow channel selection, active Mix or to be locked to a specific channel.

3.2 Screen modes

The screen mode buttons select the menus for the main screen area.



Meters – Access to Input meters, FX meters, Mix meters, RTA, spectrogram, and 4 customisable meter views.

FX – View, load and set up the 16 RackFX units. The Back Panel view lets you patch each unit as inserted or send/return.

I/O – Patch system inputs and outputs by tapping on crosspoints.

Scenes – Access to Scene Manager, Cue Lists and Scene Safes.

Ganging – Create up to 16 gang groups to link selected parameters across multiple channels.

MixRack Setup – Access to mixer bus configuration, Input stereo configuration, Network settings, User Profiles, Talkback assignments, Signal Generator, Audio Sync and I/O Ports options.

Surface Setup – Assignments of fader strip layout, SoftKeys and custom rotary functions. Control of Surface illumination and USB Audio playback / recording. Access to PAFL options and Network settings.

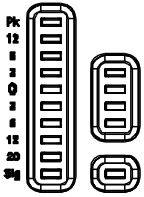
Util/Shows – Access to Show Manager, Library Manager, system diagnostics, screen and fader calibration, firmware update and MIDI MMC.

Routing – Access to routing and assignments for the selected channel.

Processing (C1500 and C2500) – Channel processing screen for the selected channel.

When no screen mode is selected, a **System Status** dashboard is displayed. Touch Power Down in this screen to safely power down the Surface before switching off.

3.3 Fader strip

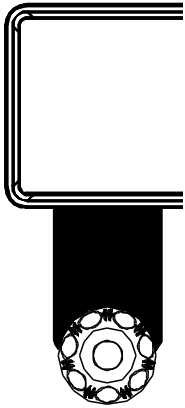


Meter – 10-segment signal meter and 4-segment gain reduction meter. The meter displays audio signal activity for the channel.

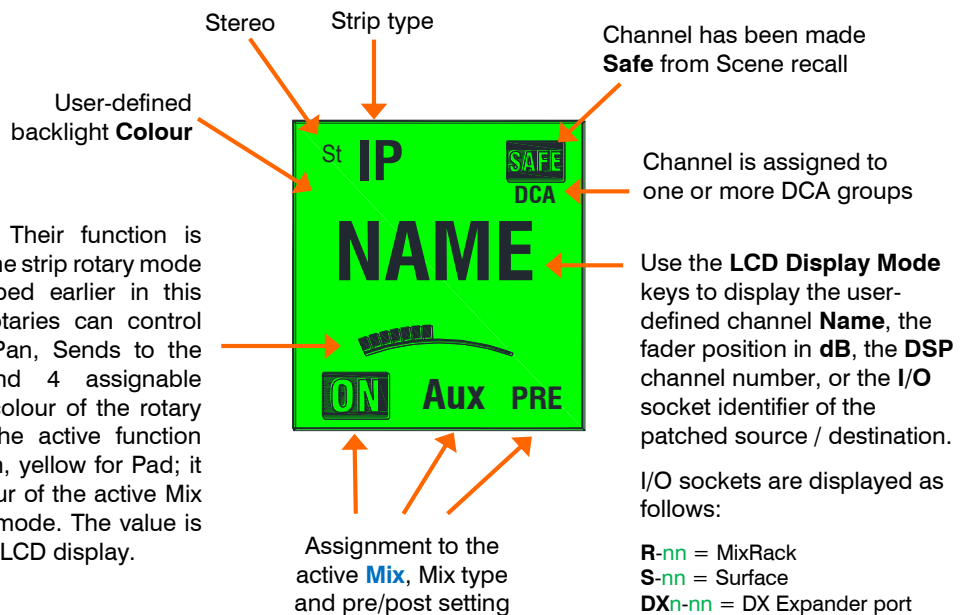
The red peak indicator lights to warn that the signal is within 5dB of clipping. It is multi-point sensing which means it detects peak activity at several points in the signal path. If it lights before the rest of the meter, check signal activity in the processing screen.

i To set the global meter source point for Input channels and Mix masters, hold down Setup and touch the main screen area in the **Meters / Inputs** or **Meters / Mix** screen.

LCD Display – Displays information about the channel, including name and colour.



Strip rotary – Their function is selected using the strip rotary mode keys as described earlier in this chapter. The rotaries can control preamp Gain, Pan, Sends to the active Mix, and 4 assignable functions. The colour of the rotary LED matches the active function e.g. red for Gain, yellow for Pad; it follows the colour of the active Mix when in Sends mode. The value is displayed in the LCD display.



I/O sockets are displayed as follows:

- R-*nn*** = MixRack
- S-*nn*** = Surface
- DX*n-*nn**** = DX Expander port number and socket number
- USB** = USB playback/recording
- P*n-*nn**** = I/O Port number and channel number
- FX-*n*** = RackExtra FX unit number
- SigGen** = Internal Signal Generator



Mute – Turns off the channel signal. Affects the main mix, pre-fade and post-fade sends. The Muted LED lights when the channel is muted by a DCA or Mute Group.



Sel – Selects the channel for use with the Processing and Routing screens. The channel strip controls become active to control processing for the channel.

i The currently selected channel is displayed in the top left corner of the Processing screen.



Mix – Puts the send levels and assignments of the associated channel or masters onto the fader strips (or strip rotaries when rotaries are in Sends mode). See the next paragraph for examples of use.

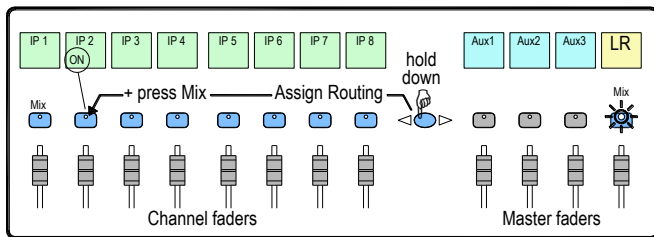


i The currently active Mix is displayed in the top right corner of the Processing screen. Press an active **Mix** key to return to the main mix.

PAFL – Sends the channel signal PFL (pre-fade listen) or AFL (after-fade listen) to the headphones and monitoring system. Preferences for the PAFL system are set using the **Surface / Audio / PAFL** screen.

3.4 Working with the Mix

Normal mix mode (FOH)

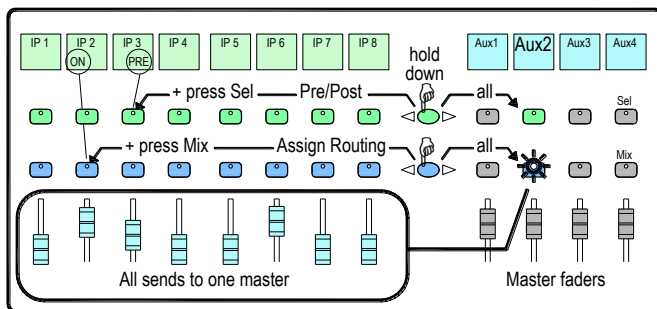


Press a Main Mix master strip **Mix** key.

This is the normal mixing mode. The Input strips present the channel faders. The Master strips present the master mix faders.

Hold down the **Assign** key and press channel **Mix** keys to assign or unassign them from the main mix. Current ON status is displayed on the lower part of the strip LCDs.

Master Mix view



Press a Mix master strip **Mix** key.

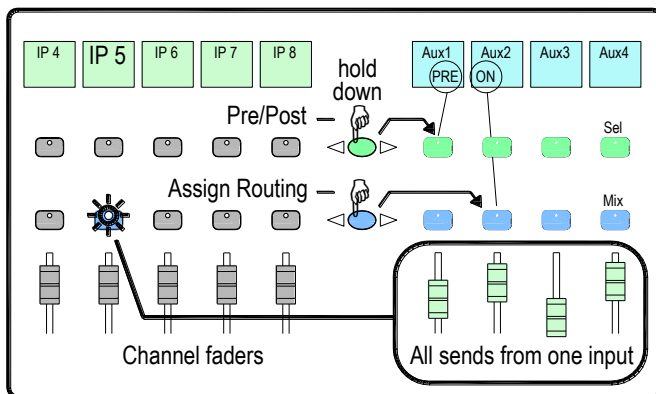
Use this to work with Aux and FX sends. The Input strips present all the send levels to the active Mix. The Master strips present the master mix faders.

Hold down the **Assign** key and press channel **Mix** keys to assign or unassign them from the active Mix.

Hold down the **Pre/Post** key and press channel **Sel** keys to toggle each source pre or post fader. Current PRE status is displayed on the lower part of the channel strip LCDs.

You can quickly set **all** assignments on or off, or all sources pre or post fader by pressing the Master strip **Mix** or **Sel** key.

Channel Mix view



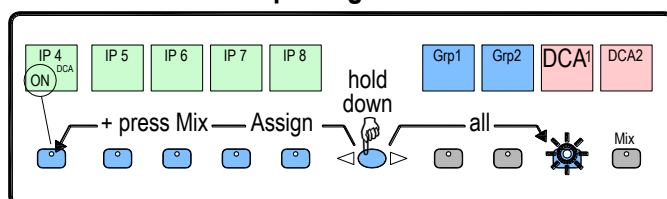
Press an Input Channel strip **Mix** key.

Use this to work with Aux and FX sends. The Input strips remain as Channel Faders. The Master strips present all sends from the Input channel.

Hold down the **Assign** key and press master **Mix** keys to assign or unassign the channel from each mix.

Hold down the **Pre/Post** key and press master **Sel** keys to toggle the channel pre or post fader to each mix. Current PRE status is displayed on the master strip LCDs.

DCA and Audio Group assign



Press a Group Master strip **Mix** key.

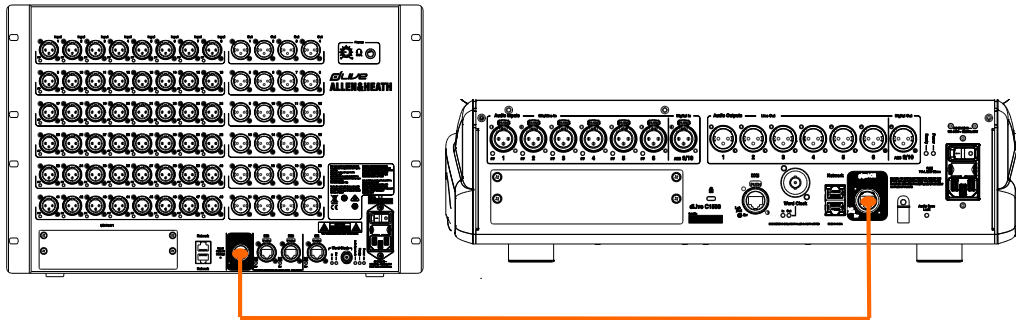
Use this to assign channels to the Audio and DCA groups. The Input and Master faders are not affected.

Hold down the **Assign** key and press channel **Mix** keys to assign or unassign the channels from the group.

4. Connect and power up

4.1 MixRack connection

Plug a touring grade CAT5e (or higher specification) cable up to 100m long between the dLive Surface and MixRack gigaACE port. On a DM32, DM48 or DM64 MixRack, use gigaACE port A only.



Switch on the Surface. The gigaACE Lnk/Err indicators flash at a steady rate when the link is established. The red error indicator lights if a communication error is detected. Check that the cables are correctly plugged in and are not faulty.

It takes around 30s for the Surface to take control and the touchscreen to be responsive.

4.2 Recall a Template Show

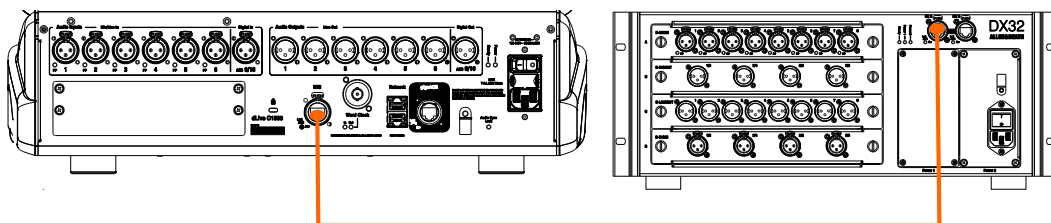
dLive has a fully configurable audio architecture, control layout and socket patching. We have provided a set of Template Shows to give a choice of classic console formats to load as a quick starting point. These present the familiar architecture and logical layout of well-equipped analogue consoles.

To load a Template Show go to the **Utility / Show Manager** screen, select one of the available Template Shows, touch **Recall** and confirm.

- ⓘ Recalling a Show overwrites all the system settings including the bus configuration, control layout, current parameters, all Scenes and Library presets. If you want to save the current settings then first **Store** them as a User Show.

4.3 Expander connection

Plug a touring grade CAT5e (or higher specification) cable up to 100m long between the DX Expander and Surface DX port.



Switch on the DX Expander. The DX port Lnk/Err indicators flash at a steady rate when the link is established. The red error indicator lights if a communication error is detected. Check that the cables are correctly plugged in and are not faulty.

4.4 Connect a laptop or wireless router

Connect a laptop, router or access point to either of the Network ports to use with dLive Editor or iOS apps. Read the Release Notes and Help Files accompanying the software or apps for further information.

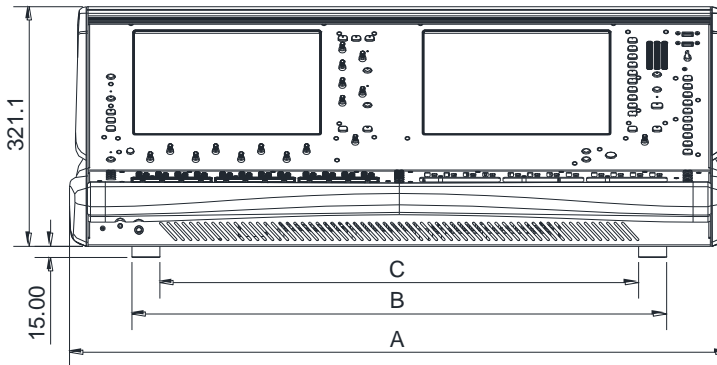
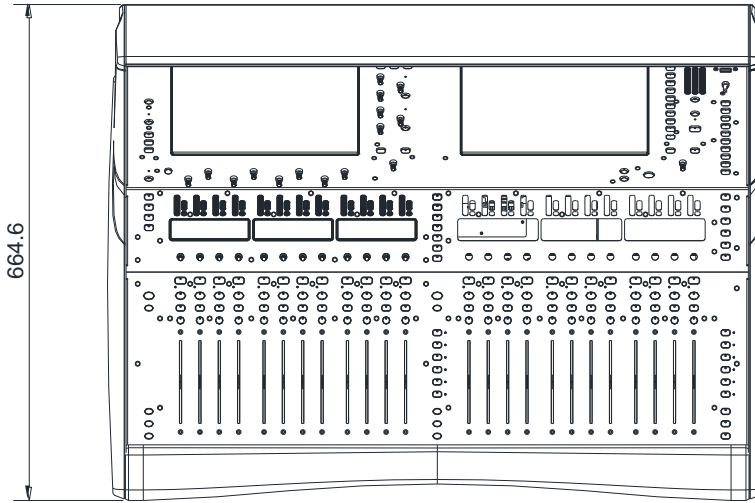
- ❗ dLive communicates over TCP/IP. All devices on the network including the MixRack and Surface must have compatible IP addresses. Factory defaults are:

MixRack	192.168.1.70
Surface	192.168.1.71
Subnet Mask	255.255.255.0
Gateway	192.168.1.254

For direct, wired laptop connections, set your laptop to a static, compatible IP address, for example **192.168.1.10**.

For wireless connections, set your router / access point to a compatible IP address, for example 192.168.1.254, and its DHCP range to a compatible range of addresses, for example **192.168.1.100 to 192.168.1.200**. Set any wireless laptop or mobile device to DHCP / 'obtain an IP address automatically'.

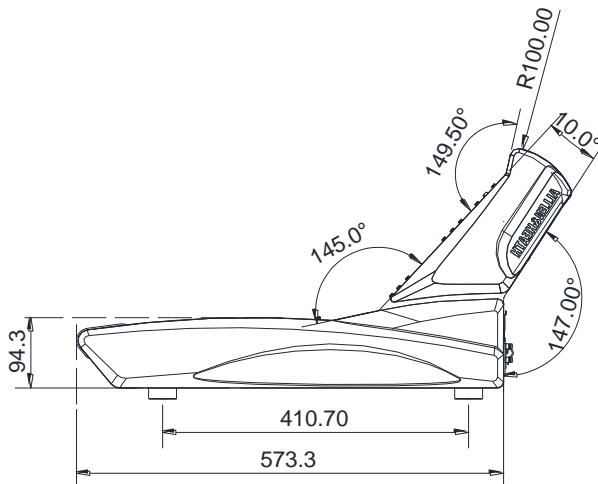
5. Dimensions



A
 C1500 - 480.6mm/18.9"
 C2500 - 774mm/30.5"
 C3500 - 885mm/34.8"

B
 C1500 - 377.5mm/14.9"
 C2500 - 657.5mm/25.9"
 C3500 - 717.5mm/28.2"

C
 C1500 - 302.5mm/11.9"
 C2500 - 582.5mm/22.9"
 C3500 - 642.5mm/25.3"



6. Technical specs

Inputs

Mic/Line XLR Inputs	Balanced XLR, +48V phantom power
Mic/Line Preamp	Fully recallable
Input Sensitivity	-60 to +15dBu
Analogue Gain	+5 to +60dB, 1dB steps
Pad	-20dB Active PAD
Maximum Input Level	+30dBu (PAD in)
Input Impedance	>4k Ω (Pad out), >10k Ω (Pad in)
Mic EIN	-127dB with 150 Ω source
Phantom Power indication	Per socket, internal or external phantom power sensing, triggered at 24V

Digital Inputs

AES3 2 Ch XLR, 2.5Vpp balanced terminated 110 Ω
SRC range 32k - 192kHz, with bypass option

Outputs

Analogue XLR Outputs	Balanced, Relay protected
Output Impedance	<75 Ω
Nominal Output	+4dBu = 0dB meter reading
Maximum Output Level	+22dBu
Residual Output Noise	-92dBu (muted, 20-20kHz) -90dBu (muted, 20-40kHz)
Digital Outputs	AES3 2 Ch XLR, 2.5Vpp balanced terminated 110 Ω 96kHz sampling rate, switchable to 48kHz, 44.1kHz

Dimensions and Weights

	Width x Depth x Height x Weight
C1500	485 x 665 x 325 mm (19"x 26.2"x 12.8") x 18kg (39.7lbs)
C2500	775 x 665 x 325 mm (30.5"x 26.2"x 12.8") x 24.5kg (54lbs)
C3500	885 x 665 x 325 mm (34.8"x 26.2"x 12.8") x 28kg (61.7lbs)

System

Measured balanced XLR in to XLR out, 20-20kHz, minimum Gain, Pad out	
Dynamic Range	110dB
System Signal to Noise	-92dB
Frequency Response	20Hz - 30kHz +0/-0.8dB
THD+N (analogue in to out)	0.0015% @ +16dBu output, 1kHz 0dB gain
Headroom	+18dB
Internal operating Level	0dBu
dBFS Alignment	+18dBu = 0dBFS (+22dBu at XLR output)
Meter Calibration	0dB meter = -18dBFS (+4dBu at XLR out)
Meter Peak indication	-3dBFS (+19dBu at XLR out)
Sampling Rate	96kHz +/- 20 PPM
ADC	24-bit Delta-Sigma
DAC	24-bit Delta-Sigma
Latency	0.7 ms (MixRack XLR in to XLR out, Input to Mix) + 5 samples, Surface to Mixrack (GigaACE hop) + 8 samples, DX32 to Mixrack (DX hop)
Operating Temperature Range	0 deg C to 35 deg C (32 deg F to 95 deg F)
Mains Power	100-240V AC, 50-60Hz, 110W max
USB Audio playback	Mono/stereo .WAV files, 16/24bit, 44.1/48/96kHz
USB Audio recording	Stereo .WAV files, 24bit 96kHz

	Width x Depth x Height x Weight
Boxed C1500	700 x 870 x 480 mm (27.6"x 34.3"x 18.9") x 24.8kg (54.7lbs)
C2500	950 x 870 x 480 mm (37.4"x 34.3"x 18.9") x 33kg (72.8lbs)
C3500	1060 x 870 x 480 mm (41.7"x 34.3"x 18.9") x 37.5kg (82.7lbs)