

# PHONIC

**SEM 710 • SEM 712 • SEM712A**

**SEM 715 • SEM715A • SE705 • SE725**

STAGE SPEAKER



English

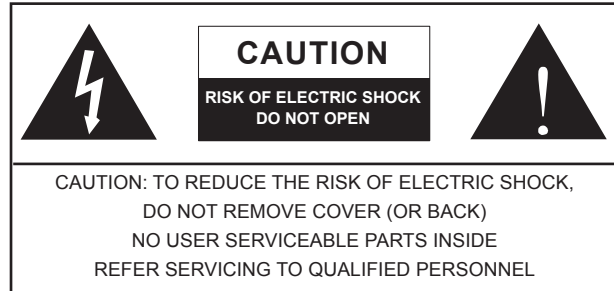
User's Manual

## IMPORTANT SAFETY INSTRUCTIONS

The apparatus shall not be exposed to dripping or splashing and that no objects filled with liquids, such as vases, shall be placed on the apparatus. The MAINS plug is used as the disconnect device, the disconnect device shall remain readily operable.

**Warning:** the user shall not place this apparatus in the confined area during the operation so that the mains switch can be easily accessible.

1. Read these instructions before operating this apparatus.
2. Keep these instructions for future reference.
3. Heed all warnings to ensure safe operation.
4. Follow all instructions provided in this document.
5. Do not use this apparatus near water or in locations where condensation may occur.
6. Clean only with dry cloth. Do not use aerosol or liquid cleaners. Unplug this apparatus before cleaning.
7. Do not block any of the ventilation openings. Install in accordance with the manufacturer's instructions.
8. Do not install near any heat sources such as radiators, heat registers, stoves, or other apparatus (including amplifiers) that produce heat.
9. Do not defeat the safety purpose of the polarized or grounding-type plug. A polarized plug has two blades with one wider than the other. A grounding type plug has two blades and a third grounding prong. The wide blade or the third prong is provided for your safety. If the provided plug does not fit into your outlet, consult an electrician for replacement of the obsolete outlet.
10. Protect the power cord from being walked on or pinched particularly at plug, convenience receptacles, and the point where they exit from the apparatus.
11. Only use attachments/accessories specified by the manufacturer.
12. Use only with a cart, stand, tripod, bracket, or table specified by the manufacturer, or sold with the apparatus. When a cart is used, use caution when moving the cart/apparatus combination to avoid injury from tip-over.
13. Unplug this apparatus during lightning storms or when unused for long periods of time.
14. Refer all servicing to qualified service personnel. Servicing is required when the apparatus has been damaged in any way, such as power-supply cord or plug is damaged, liquid has been spilled or objects have fallen into the apparatus, the apparatus has been exposed to rain or moisture, does not operate normally, or has been dropped.



The lightning flash with arrowhead symbol, within an equilateral triangle, is intended to alert the user to the presence of uninsulated "dangerous voltage" within the product's enclosure that may be of sufficient magnitude to constitute a risk of electric shock to persons.



The exclamation point within an equilateral triangle is intended to alert the user to the presence of important operating and maintenance (servicing) instructions in the literature accompanying the appliance.

**WARNING:** To reduce the risk of fire or electric shock, do not expose this apparatus to rain or moisture.

**CAUTION:** Use of controls or adjustments or performance of procedures other than those specified may result in hazardous radiation exposure.



**SEM 710 • SEM 712 • SEM712A**

**SEM 715 • SEM715A • SE705 • SE725**

STAGE SPEAKER

USER'S MANUAL

**TABLE OF CONTENTS**

INTRODUCTION.....	4
FEATURES.....	4
SPECIFICATIONS.....	5
CONNECTION.....	6
SUGGESTED SETUP METHODS.....	6

## INTRODUCTION

Congratulations on your choice in purchasing Phonic's SE or SEM Speakers. These 2-way speakers encompass 10, 12 or 15 inch woofers with 1 inch tweeters. All models are suitable for use on stage, and SEM models double as floor monitors. 'A' models include a 180 Watt amplifier built into the cabinet. Exhibiting exceptionally wide frequency responses and high sensitivity levels, the SE and SEM speakers are highly efficient; making them the idea choice for clubs, garage bands and a host of venues with live music.

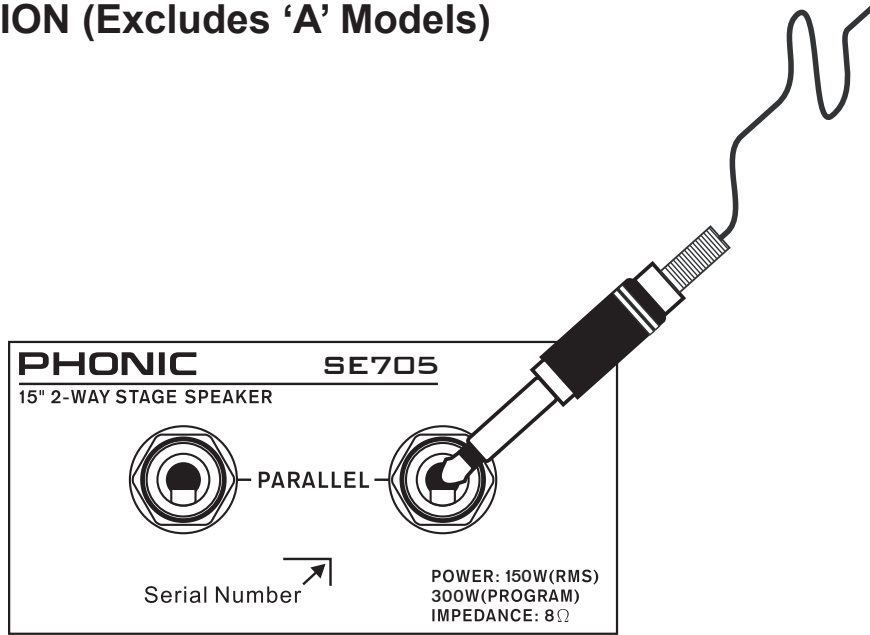
## FEATURES

- Double duty: use as a floor monitor or mounted as a raised sound reinforcement speaker (excluding SE models)
- Sensitivity (1 W @ 1 meter): 95 – 100 dB (depends on model)
- Built-in amplifier (RMS): 180 W (SEM712A and SEM715A only)
- 10", 12" or 15" heavy-duty bass speaker and 1" tweeter
- 8 ohm nominal load (4 ohm on the SE725, excludes active models)
- 35 mm stand adaptor built in (excludes SE725)
- Dual 1/4" phone jacks
- 1/4" jacks and XLR inputs (SEM712A and SEM715A only)
- Link speakers through XLR output (SEM712A and SEM715A only)
- Enclosure carpeted for increased protection

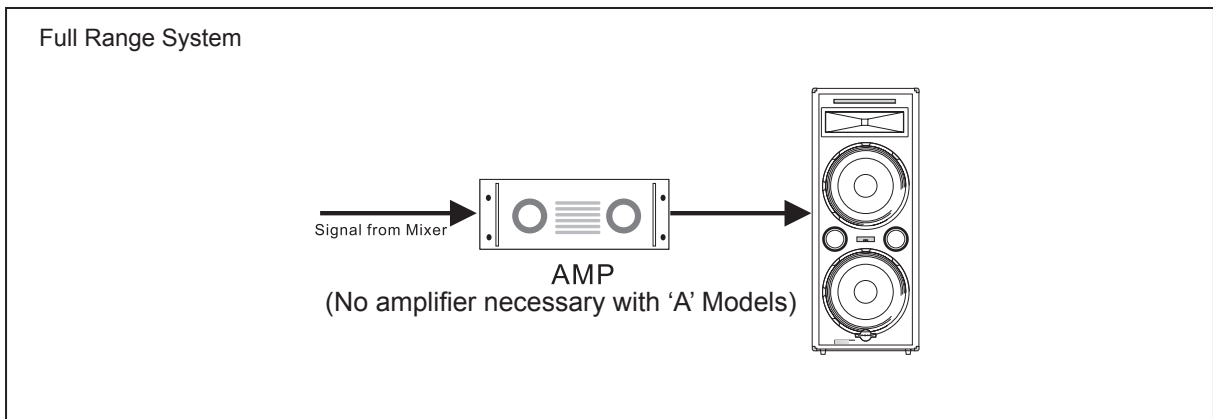
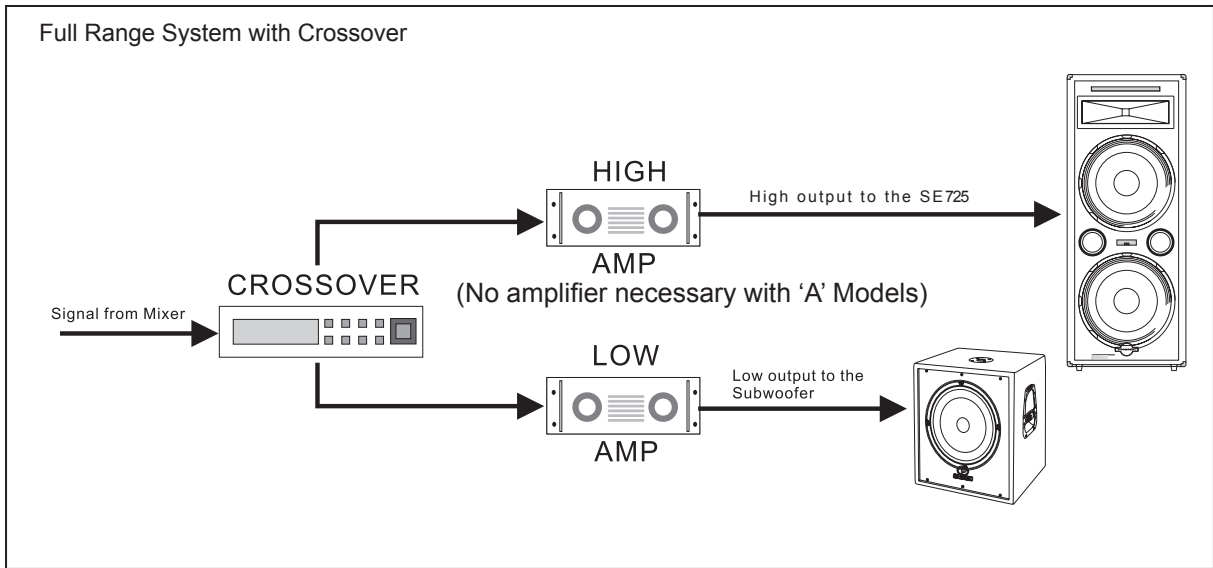
## SPECIFICATIONS

	<b>SEM 710</b>	<b>SEM 712</b>	<b>SEM 715</b>	<b>SEM 712A</b>
Type	2-way Stage/Floor Monitor Speaker			
Power Handling (Watts) RMS / Program	80 / 160	150 / 300	200 / 400	-
Built-in Amplifier (Watts) RMS	-	-	-	180
Woofer Size	10"	12"	15"	12"
Frequency Response	65 Hz ~ 20 kHz	60 Hz ~ 20 kHz	50 Hz ~ 20 kHz	60 Hz ~ 20 kHz
Sensitivity @ 1 W / 1 M (+/- dB)	96 dB	95 dB	98 dB	120 dB
Built-in Crossover	Yes	Yes	Yes	Yes
Dispersion Angle (Degrees)	90 x 40	90 x 40	90 x 40	90 x 40
Box	Dual Angled Black Carpet			
Handles	-	2	2	2
Stand Socket	35 mm	35 mm	35 mm	35 mm
Nominal Impedance	8 ohm	8 ohm	8 ohm	-
Connector	2 x 1/4" phone jacks	2 x 1/4" phone jacks	2 x 1/4" phone jacks	XLR + 1/4" phone jacks
Dimensions (HxWxD)	491 x 351 x 314 mm (19.3" x 13.8" x 12.4")	540 x 376 x 356 mm (21.3" x 14.8" x 14")	679 x 476 x 388 mm (26.7" x 18.7" x 15.3")	540 x 376 x 356 mm (21.3" x 14.8" x 14")
Net Weight	11 kg (24 lbs)	13 kg (29 lbs)	19 kg (42 lbs)	> 13 kg (29 lbs)
	<b>SEM 715A</b>	<b>SE 705</b>	<b>SE 725</b>	
Type	2-way Stage/Floor Monitor Speaker		2-way Stage Speaker	2-way Stage Speaker
Power Handling (Watts) RMS / Program	-		150 / 300	300 / 600
Built-in Amplifier (Watts) RMS	180		-	-
Woofer Size	15"		15"	15" x 2
Frequency Response	50 Hz ~ 20 kHz		50 Hz ~ 20 kHz	40 Hz ~ 20 kHz
Sensitivity @ 1 W / 1 M (+/- dB)	122 dB		95 dB	100 dB
Built-in Crossover	Yes		Yes	Yes
Dispersion Angle (Degrees)	90 x 40		90 x 40	90 x 40
Box	Dual Angled Black Carpet		Black Carpet	
Handles	2		2	2
Stand Socket	35 mm		35 mm	-
Nominal Impedance	-		8 ohms	4 ohms
Connector	XLR + 1/4" phone jacks		2 x 1/4" phone jacks	2 x 1/4" phone jacks
Dimensions (HxWxD)	679 x 476 x 388 mm (26.7" x 18.7" x 15.3")		740 x 485 x 334 mm (29.1" x 19.1" x 13.1")	1085 x 476 x 388 mm (42.7" x 18.7" x 15.3")
Net Weight	> 19 kg (42 lbs)		22.3 kg (49 lbs)	36.5 kg (80 lbs)

## CONNECTION (Excludes 'A' Models)



## SUGGESTED SETUP METHODS



## **TO PURCHASE ADDITIONAL PHONIC GEAR AND ACCESSORIES**

To purchase Phonic gear and optional accessories, contact any authorized Phonic distributor. For a list of Phonic distributors please visit our website at [www.phonic.com](http://www.phonic.com) and click on Get Gear. You may also contact Phonic directly and we will assist you in locating a distributor near you.

## **SERVICE AND REPAIR**

Phonic has over 100 service centers worldwide. For replacement parts, service and repairs please contact the Phonic distributor in your country. Phonic does not release service manuals to consumers, and advice users to not attempt any self repairs, as doing so voids all warranties. You can locate a dealer near you at [www.phonic.com](http://www.phonic.com).

## **WARRANTY INFORMATION**

Phonic stands behind every product we make with a no-hassles warranty. Warranty coverage may be extended, depending on your region. Phonic Corporation warrants this product for a minimum of one year from the original date of purchase against defects in material and workmanship under use as instructed by the user's manual. Phonic, at its option, shall repair or replace the defective unit covered by this warranty. Please retain the dated sales receipt as evidence of the date of purchase. You will need it for any warranty service. No returns or repairs will be accepted without a proper RMA number (return merchandise authorization). In order to keep this warranty in effect, the product must have been handled and used as prescribed in the instructions accompanying this warranty. Any tempering of the product or attempts of self repair voids all warranty. This warranty does not cover any damage due to accident, misuse, abuse, or negligence. This warranty is valid only if the product was purchased new from an authorized Phonic dealer/distributor. For complete warranty policy information, please visit <http://www.phonic.com>.

## **CUSTOMER SERVICE AND TECHNICAL SUPPORT**

We encourage you to visit our online help at <http://www.phonic.com/help/>. There you can find answers to frequently asked questions, tech tips, driver downloads, returns instruction and other helpful information. We make every effort to answer your questions within one business day.

**Phonic America Corporation**  
**6103 Johns Road #7**  
**Tampa, FL 33634**  
**(813) 890-8872**  
**[support@phonic.com](mailto:support@phonic.com)**  
**<http://www.phonic.com>**

# **PHONIC**

**PHONIC**  
[WWW.PHONIC.COM](http://WWW.PHONIC.COM)