



iw62 TS Subwoofer

TANNOY®



Product Description

A high performance in wall subwoofer, the iw62 TS is designed to augment the low frequency output of an in wall system installation. It uses the same construction and mechanical installation method to ensure it is a perfect match, both acoustically and visually, to the Tannoy full range in wall units.

The iw62 TS is unique in that it can operate in either passive or active mode, selectable by a switch on the front baffle. In active mode an external controller can be used to manage low frequency extension, the application of equalisation and allowing the crossover point to be tailored to the rest of the system and room. Additionally the iw62 TS will operate in stereo or mono mode; easily converted by means of link wires on the circuit board.

Designed to partner the Tannoy iw6 DS, iw6 TDC and iw62 TDC full range in wall loudspeaker products, the iw62 TS in wall subwoofer is equipped with two 165mm (6.50") long throw multi fibre, paper pulp bass drivers to deliver effective low frequency reinforcement; rated from 29Hz - 110Hz in passive mode with a continuous power handling of 200W RMS.

The driver and passive frequency dividing network are mounted in an injection moulded, paintable front baffle manufactured from UV resistant ABS material. The excellent structural integrity, when combined with the secure polycarbonate, self-aligning eight clamp mounting system, ensures a performance enhancing rigid acoustic coupling with the wall surface. This provides an immensely stable platform for the drivers to deliver optimum performance. Robust, gold plated spring loaded terminals enable rapid connection with optimum input signal integrity.

Complementing any style of decor, the perforated metal grille and discreet moulded baffle can be painted to blend seamlessly with any install environment. This in-wall subwoofer is capable of delivering impressive results in large residential and commercial applications; such as small entertainment venues, restaurants, bars, public buildings, board rooms, AV installations and business music systems.

A steel back can is available as an optional accessory.

Features

- Unique application flexibility - easy configuration possible for active, passive, mono or stereo modes
- Designed to partner the Tannoy iw6 DS, iw6 TDC and iw62 TDC full range in-wall loudspeaker products
- The two 165mm (6.50") bass drivers in the iw62 TS deliver effective low frequency reinforcement from 29Hz - 110Hz in passive mode continuous power handling 200W RMS
- 2nd order low pass crossover in passive mode - determined by external controller in active mode
- Simple and effective eight clamp mounting system - self aligning for easy installation and removal
- Four spring loaded gold terminals - cut links to drive in stereo mode
- Ideally suited to larger installations where higher power premium performance in multi room distributed audio and av systems, small venues, restaurants, bars, business music systems and a vast array of other public building installations.
- Grille and baffle can be painted to suit any décor

Applications

- Foreground music & paging systems
- Multi-room audio systems
- Home theatre
- Business music systems
- Boardrooms and offices
- Retail environments
- Public address systems
- Reception and waiting rooms
- Airport, convention centres and hotels

Tannoy Direct (UK)
TCGI (ROW sales)
TCGA (Americas sales)
Tannoy Middle East

T: 00 44 (0) 1236 420199
T: 00 45 8742 7000
T: 00 1 (519) 745 1158
T: 00 971 (04) 4401208

E: enquiries@tannoy.com
E: info@tcgroup-international.com
E: info@tcgroup-americas.com
E: enquiries@tannoy.com

tannoy®.com



iw62 TS Subwoofer

TANNOY®

TECHNICAL SPECIFICATIONS

System	iw62 TS Subwoofer
Frequency Response (-3dB) ⁽¹⁾	29Hz - 110kHz passive (determined by controller in active mode)
Frequency Range (-10dB) ⁽¹⁾	29Hz passive (determined by controller in active mode)
Recommended Amplifier Power	100 - 400
Power Handling	
Average	200W
Programme	400W
Peak	800W
Sensitivity 2.83 Volts @ 1 metre	
Half Space	94dB
Maximum SPL@ 1 metre	
Average	117dB
Peak	123dB
Impedance	8 Ohms stereo, 4 Ohms mono
Driver Complement	2 x 165mm (6.50") multi fibre paper pulp cone, long throw
Crossover	Passive, 110Hz Active : determined by controller

Construction	
Finish	White - paintable
Connectors	Gold plated spring terminals
Dimensions	
Front Baffle	474.50 x 227mm (18.63 x 8.93") (H x W x D)
Front of baffle to rear of magnet	108mm (4.25")
Mounting panel thickness	25mm (1.00")
Rec. in-wall Mounting Volume	30 litres (1.1 cu. ft.)
Mounting Depth	99mm (3.90")
Weight (each)	6.5kg (16.3lbs)
Optional Accessories	Pre-installation ring, Back can

Notes:

- (1) Average over stated bandwidth. Measured at 1 metre on axis.
- (2) Unweighted pink noise input, measured at 1 metre in an anechoic chamber

A full range of measurements, performance data, CLF and Ease™ Data can be downloaded from www.tannoy.com

Full independent verification of published specifications carried out by NWA Labs, California can also be obtained from the downloads section of www.tannoy.com

Tannoy operates a policy of continuous research and development. The introduction of new materials or manufacturing methods will always equal or exceed the published specifications, which Tannoy reserves the right to alter without prior notice. Please verify the latest specifications when dealing with critical applications.

Ordering Information

PART NUMBER	MODEL NAME	COLOUR	PACKED QUANTITY
8000 3770	iw62 TS	White	1

Tannoy Direct (UK)
TCGI (ROW sales)
TCGA (Americas sales)
Tannoy Middle East

T: 00 44 (0) 1236 420199
T: 00 45 8742 7000
T: 00 1 (519) 745 1158
T: 00 971 (04) 4401208

E: enquiries@tannoy.com
E: info@tcgroup-international.com
E: info@tcgroup-americas.com
E: enquiries@tannoy.com

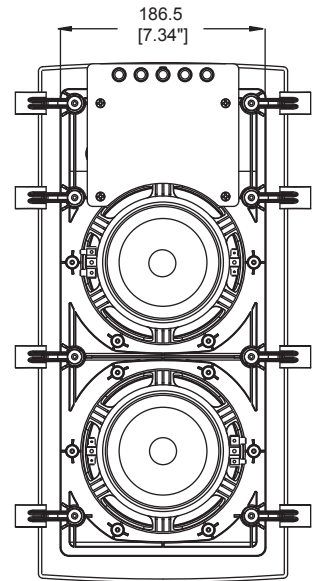
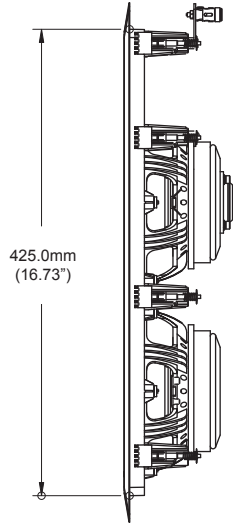
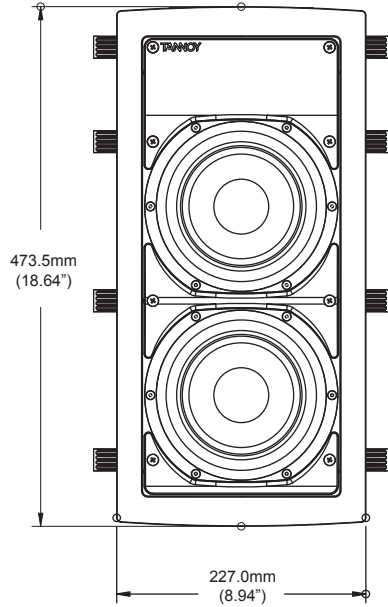
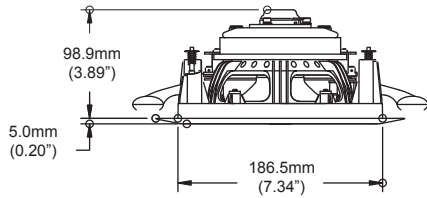
tannoy.com



iw62 TS Subwoofer

TANNOY®

DIMENSIONAL SKETCHES



TEMPLATE HOLE CUTOUT SIZE - 430mm x 193mm [16.93" x 7.60"]

Tannoy Direct (UK)
TCGI (ROW sales)
TCGA (Americas sales)
Tannoy Middle East

T: 00 44 (0) 1236 420199
T: 00 45 8742 7000
T: 00 1 (519) 745 1158
T: 00 971 (04) 4401208

E: enquiries@tannoy.com
E: info@tcgroup-international.com
E: info@tcgroup-americas.com
E: enquiries@tannoy.com

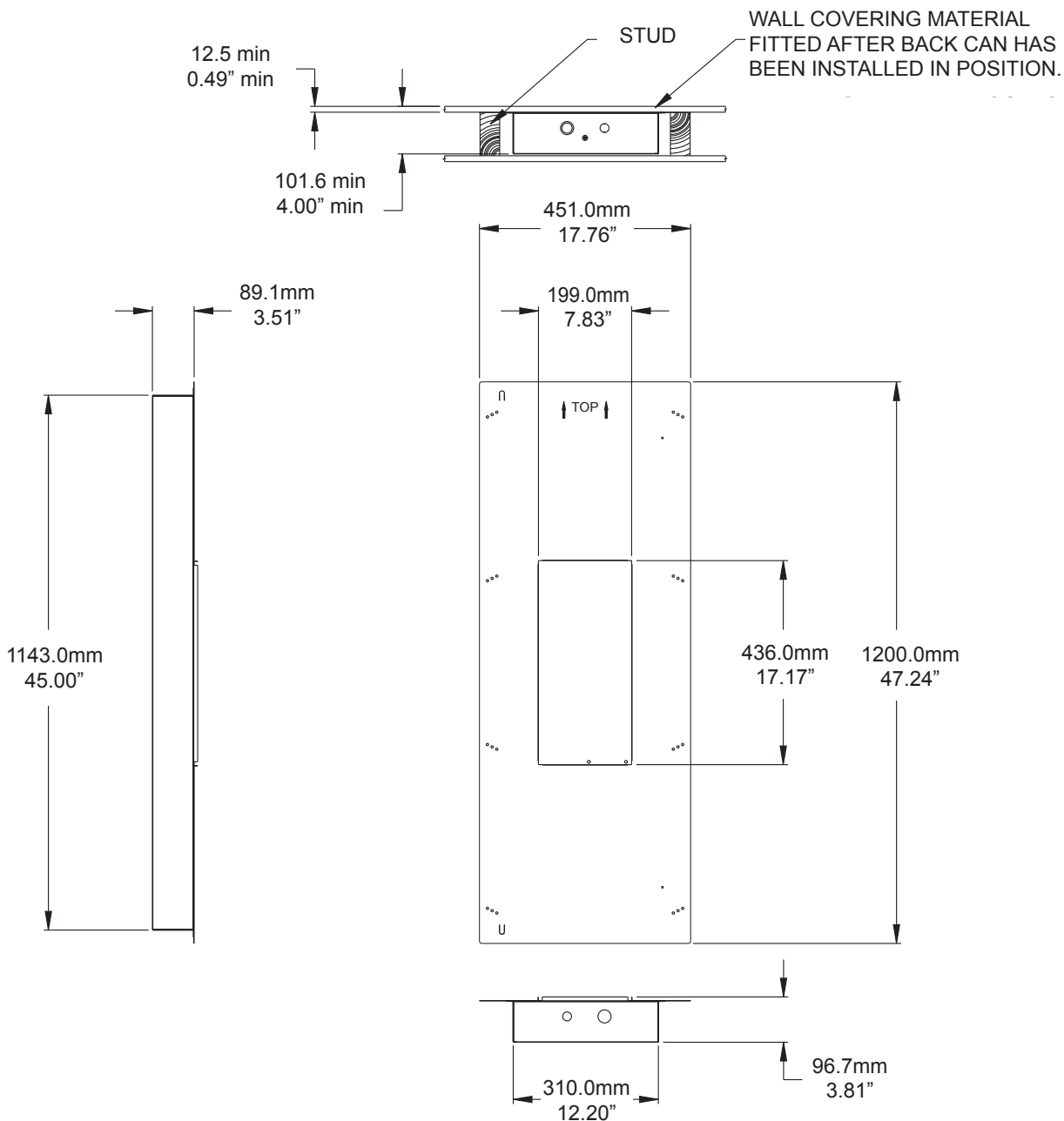
tannoy®.com



iw62 TS Subwoofer

TANNOY®

IN WALL BACK CAN ACCESSORY



Ordering Information

PART NUMBER	MODEL NAME	BAFFLE / GRILLE COLOUR	PACKED QUANTITY	PACKED WEIGHT
8000 4220	iw62 TDC/TS Back Can	Unpainted Steel	1	9.50Kgs (20.90lbs)
8000 4240	iw62 TDC/TS Transformer Back Can	Unpainted Steel	1	10.50Kgs (23.1lbs)
8000 4260	Pre-install mounting ring for iw62 TDC/TS	-	-	-

Tannoy Direct (UK)
TCGI (ROW sales)
TCGA (Americas sales)
Tannoy Middle East

T: 00 44 (0) 1236 420199
T: 00 45 8742 7000
T: 00 1 (519) 745 1158
T: 00 971 (04) 4401208

E: enquiries@tannoy.com
E: info@tcgroup-international.com
E: info@tcgroup-americas.com
E: enquiries@tannoy.com

tannoy.com



iw62 TS Subwoofer

TANNOY®

Architectural specifications

The in wall subwoofer speaker shall consist of two 165mm (6.50") low frequency transducers.

Performance of the iw62 TS shall meet or exceed the following criteria: Frequency response measured at 1 metre on axis with a swept sine wave shall be 29Hz - 110Hz± 6dB, sensitivity shall be at least 92dB or 2.83V @ 1 metre with minimal loss accounted for. Impedance of the drivers shall be 8 Ohms in stereo mode and 4 Ohms in mono configuration. The average power handling shall be 200W.

Utilising an eight way clamping mechanism the baffle shall be constructed from moulded ABS and supplied with a perforated aluminium, both components shall be paintable. The system shall not exceed the following dimensions: 474.50 x 227 x 108mm (18.63 x 8.93 x 4.25") (H x W x D). The mounting depth shall not exceed 99mm (3.90").

The Tannoy in wall subwoofer system shall be... the iw62 TS.

Tannoy Direct (UK)
TCGI (ROW sales)
TCGA (Americas sales)
Tannoy Middle East

T: 00 44 (0) 1236 420199
T: 00 45 8742 7000
T: 00 1 (519) 745 1158
T: 00 971 (04) 4401208

E: enquiries@tannoy.com
E: info@tcgroup-international.com
E: info@tcgroup-americas.com
E: enquiries@tannoy.com

tannoy.com



iw62 TS Subwoofer

TANNOY®

NOTES

Tannoy Direct (UK)
TCGI (ROW sales)
TCGA (Americas sales)
Tannoy Middle East

T: 00 44 (0) 1236 420199
T: 00 45 8742 7000
T: 00 1 (519) 745 1158
T: 00 971 (04) 4401208

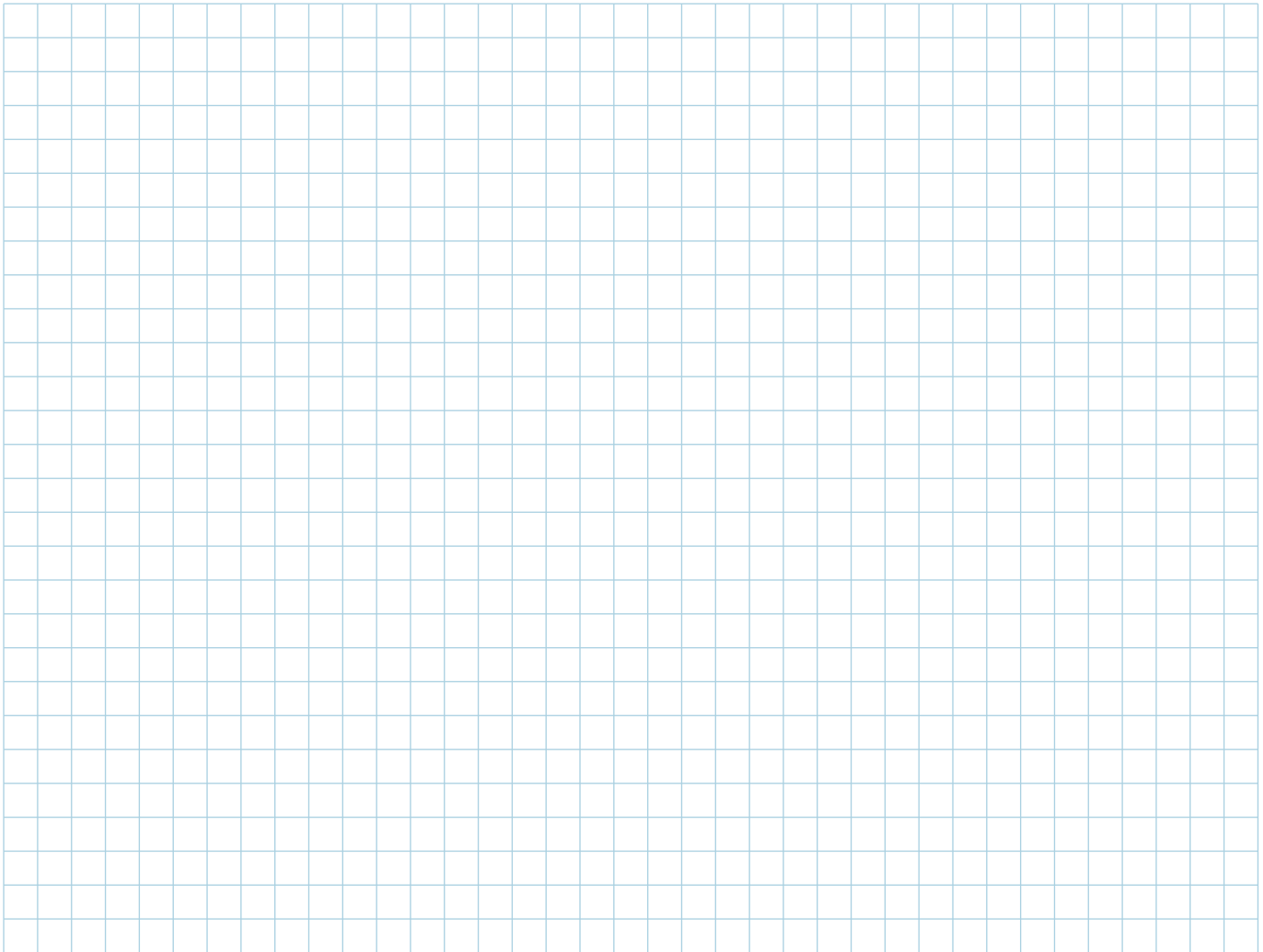
E: enquiries@tannoy.com
E: info@tcgroup-international.com
E: info@tcgroup-americas.com
E: enquiries@tannoy.com

tannoy.com



iw62 TS Subwoofer

TANNOY®



Tannoy Direct (UK)
TCGI (ROW sales)
TCGA (Americas sales)
Tannoy Middle East

T: 00 44 (0) 1236 420199
T: 00 45 8742 7000
T: 00 1 (519) 745 1158
T: 00 971 (04) 4401208

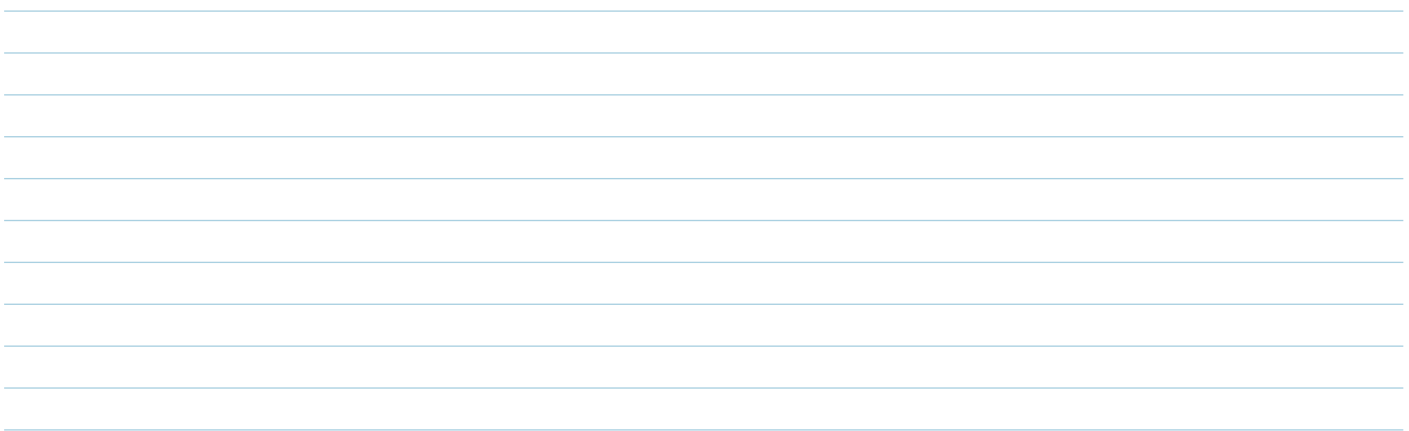
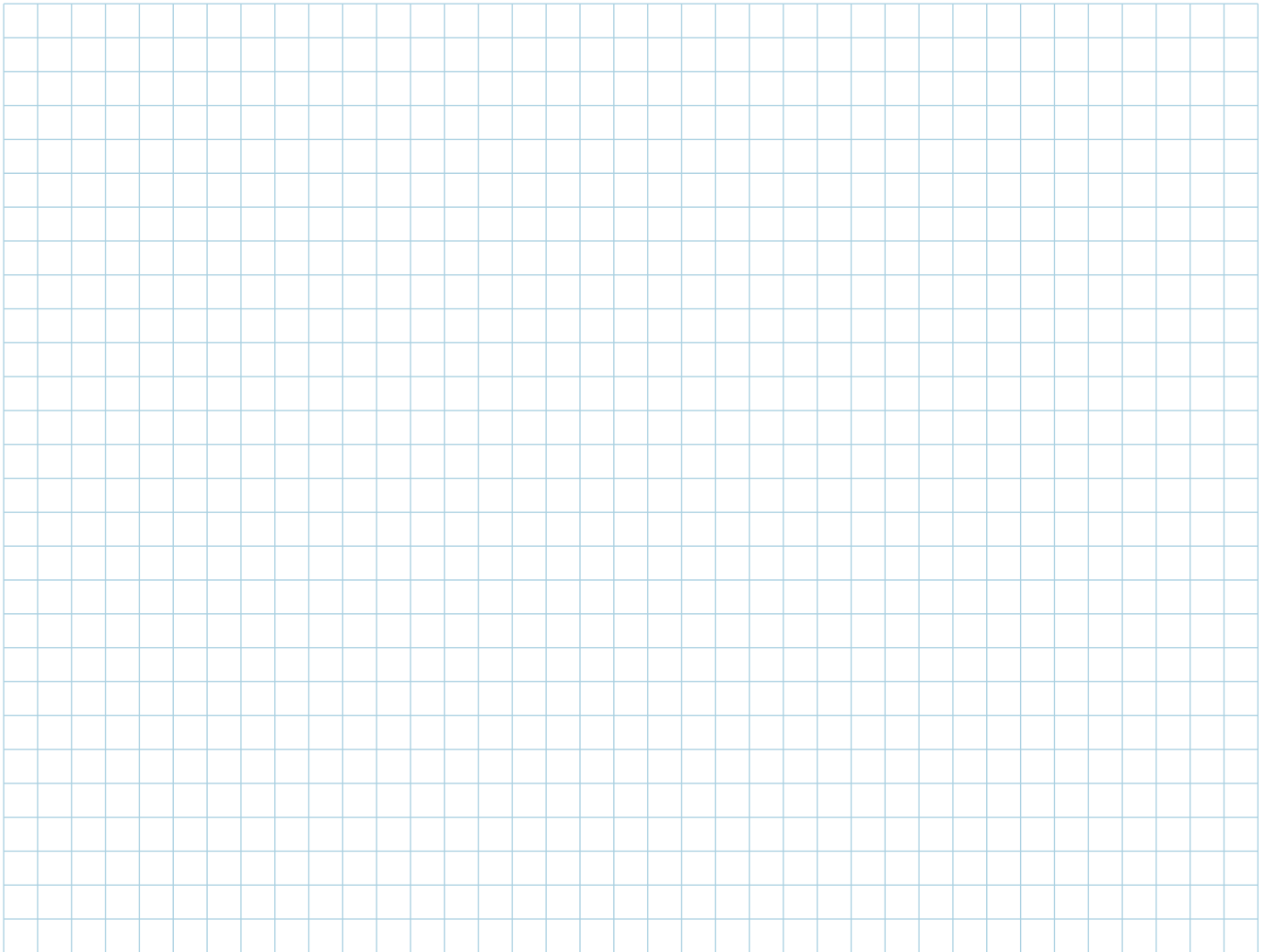
E: enquiries@tannoy.com
E: info@tcgroup-international.com
E: info@tcgroup-americas.com
E: enquiries@tannoy.com

tannoy®.com



iw62 TS Subwoofer

TANNOY®



Tannoy Direct (UK)
TCGI (ROW sales)
TCGA (Americas sales)
Tannoy Middle East

T: 00 44 (0) 1236 420199
T: 00 45 8742 7000
T: 00 1 (519) 745 1158
T: 00 971 (04) 4401208

E: enquiries@tannoy.com
E: info@tcgroup-international.com
E: info@tcgroup-americas.com
E: enquiries@tannoy.com

tannoy®.com