

Riga

NOTICE D'INSTALLATION

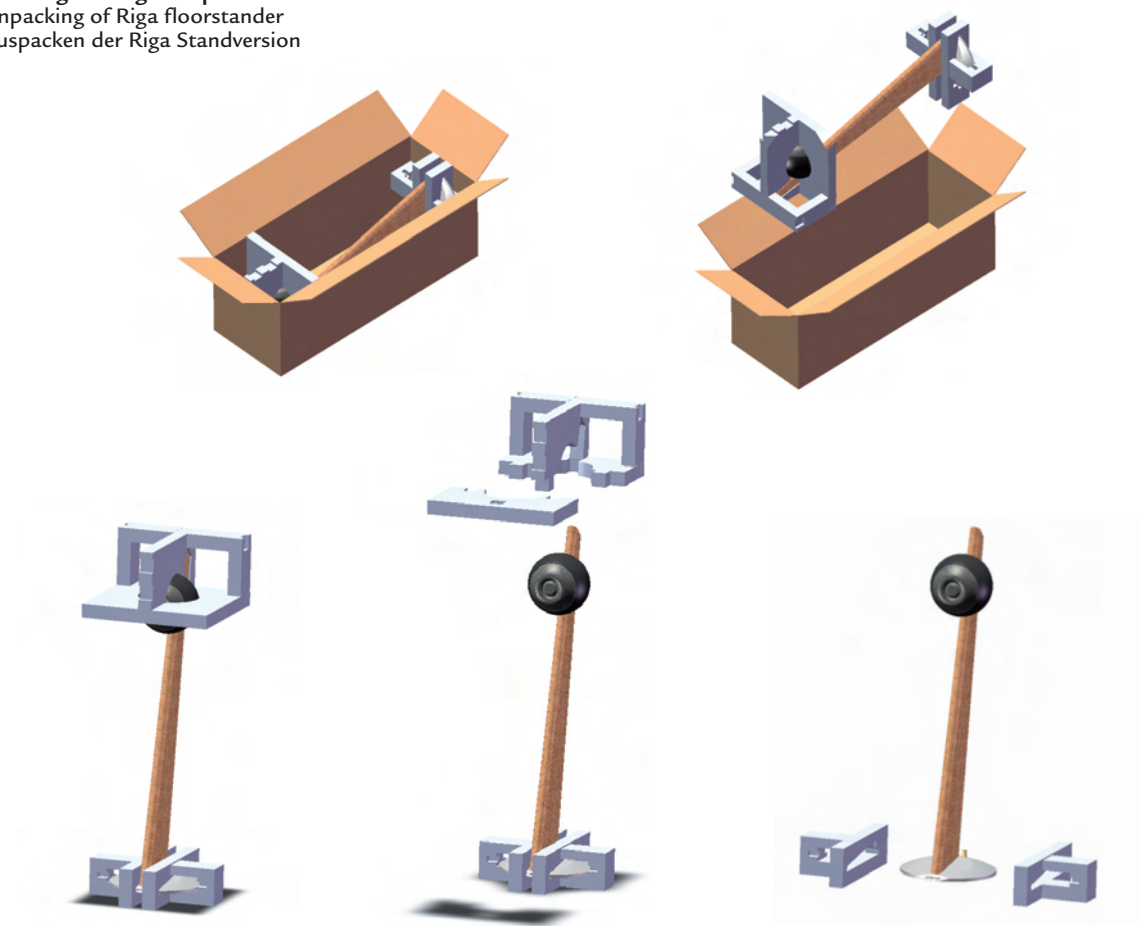
OWNER'S MANUAL • BETRIEBSANLEITUNG



Cabasse

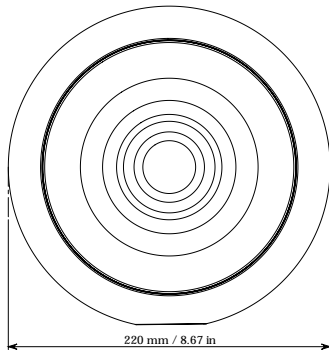
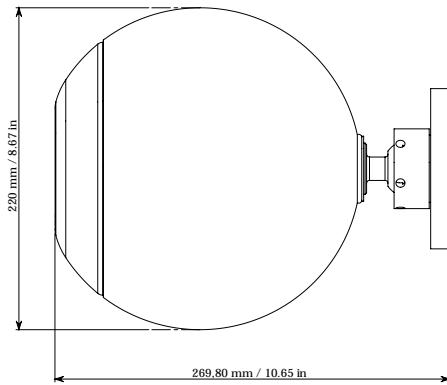
www.cabasse.com

Déballage de Riga sur pied
 Unpacking of Riga floorstander
 Auspacken der Riga Standversion

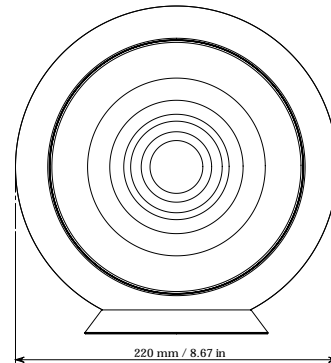
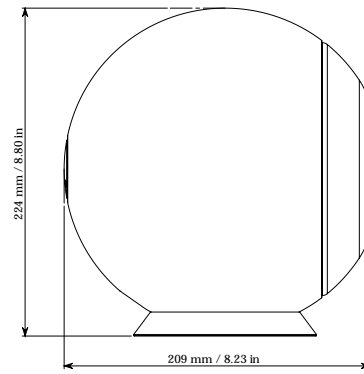


Déballage de Riga centrale et murale
 Unpacking Riga on wall and on base
 Auspacken der Riga mit wandbefestigung und mit Sockel

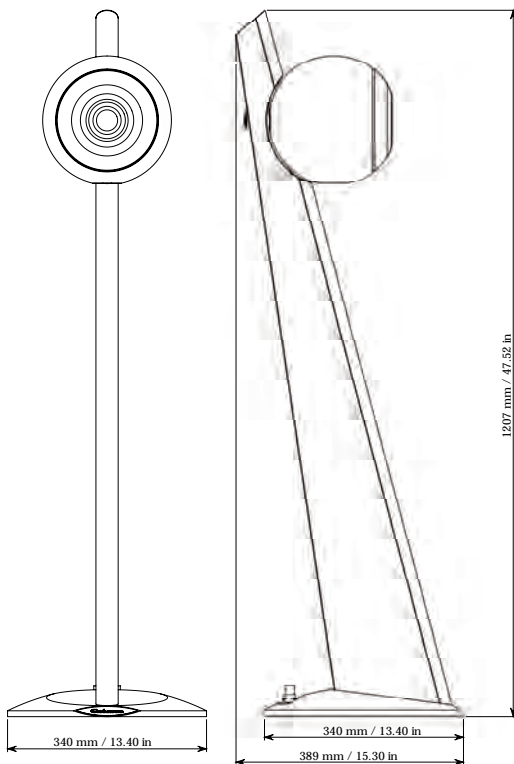




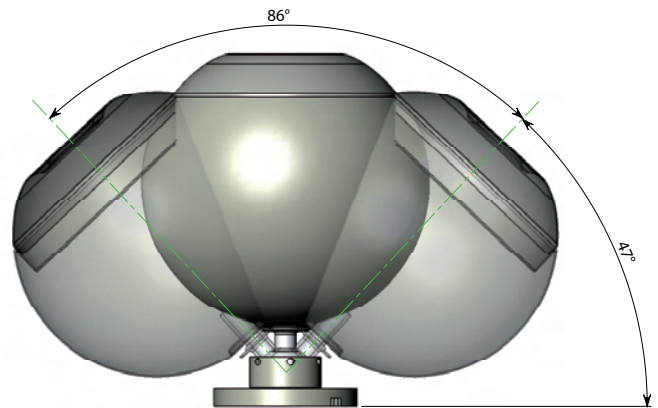
Riga murale
Riga on wall
Riga mit Wandbefestigung



Riga centrale
Riga on base
Riga mit Sockel

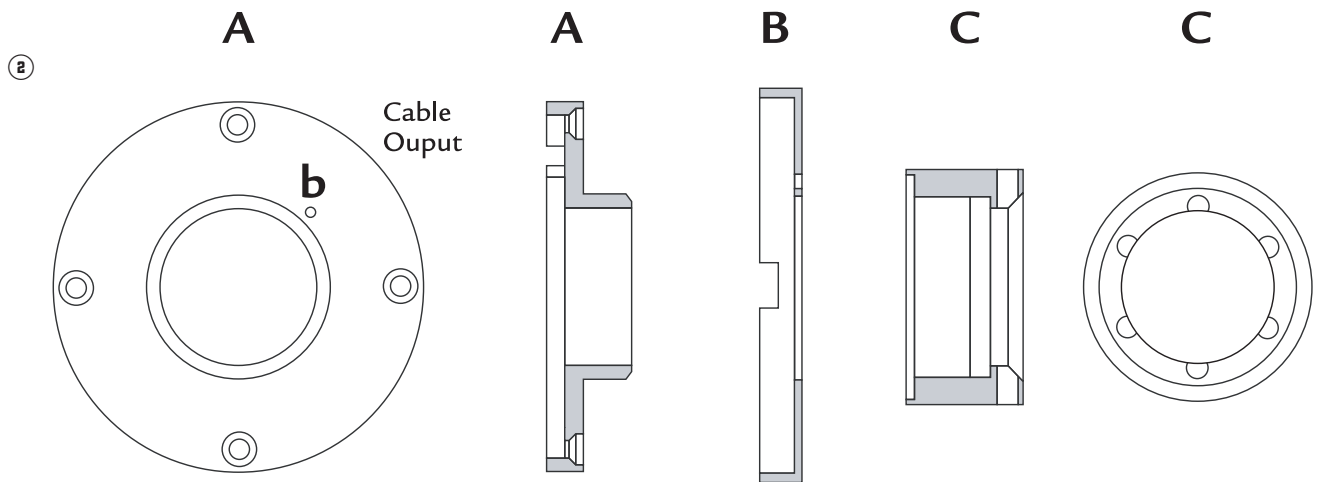


Riga sur pied
Riga floorstander
Riga Standversion



**① ORIENTATION MURALE
DE RIGA**

**Riga on wall positioning
Ausrichtung des Riga
mit wandbefestigung**



② MONTAGE DE RIGA MURALE

- Déballez la Riga murale
- Démontez la bague **C** en utilisant les 2 barres métalliques livrées avec l'une des Riga murales
- Enlever la vis **b** et retirer l'enjoliveur **B**
- Installer la plaque **A** sur le mur avec 4 vis de fixation adaptées au type de mur ou de support
- Bien positionner l'ouverture prévue pour le passage du câble haut-parleur (Cable Output) en fonction du type de montage souhaité :
 - vers le haut pour ne pas être visible si le câble sort du mur
 - dans la direction prévue pour l'arrivée du câble s'il est posé en applique sur le mur
- Faire passer le câble à travers les pièces **A+B+C**
- Remonter l'enjoliveur **B** sur la plaque **A** et le fixer avec la vis **b**
- Visser à la main la bague **C** sur la plaque **A**, orienter la Riga murale et figer la position en serrant fortement avec les 2 barres métalliques fournies

② INSTRUCTIONS FOR MOUNTING OF RIGA ON WALL

- Unpack the Riga on wall
- Unscrew the **C** ring with the help of the 2 metal sticks delivered with one of the Riga on wall
- Take out the screw on **b** and pull out the **B** painted carter
- Wall mount the **A** metal piece by using 4 screws or bolts adapted to the characteristics of the wall

- Do not forget to position the cable (Cable Output) in the optimal way:
 - up if your speaker cable comes out of the wall so it can not be seen
 - in the direction your speaker cable will come from if this cable is not inside the wall
- Have the speaker cable go through all the pieces **A+B+C**
- Mount the **B** part back on **A** with the **b** screw
- Mount **C** on **A** and tight it firmly with the 2 sticks delivered

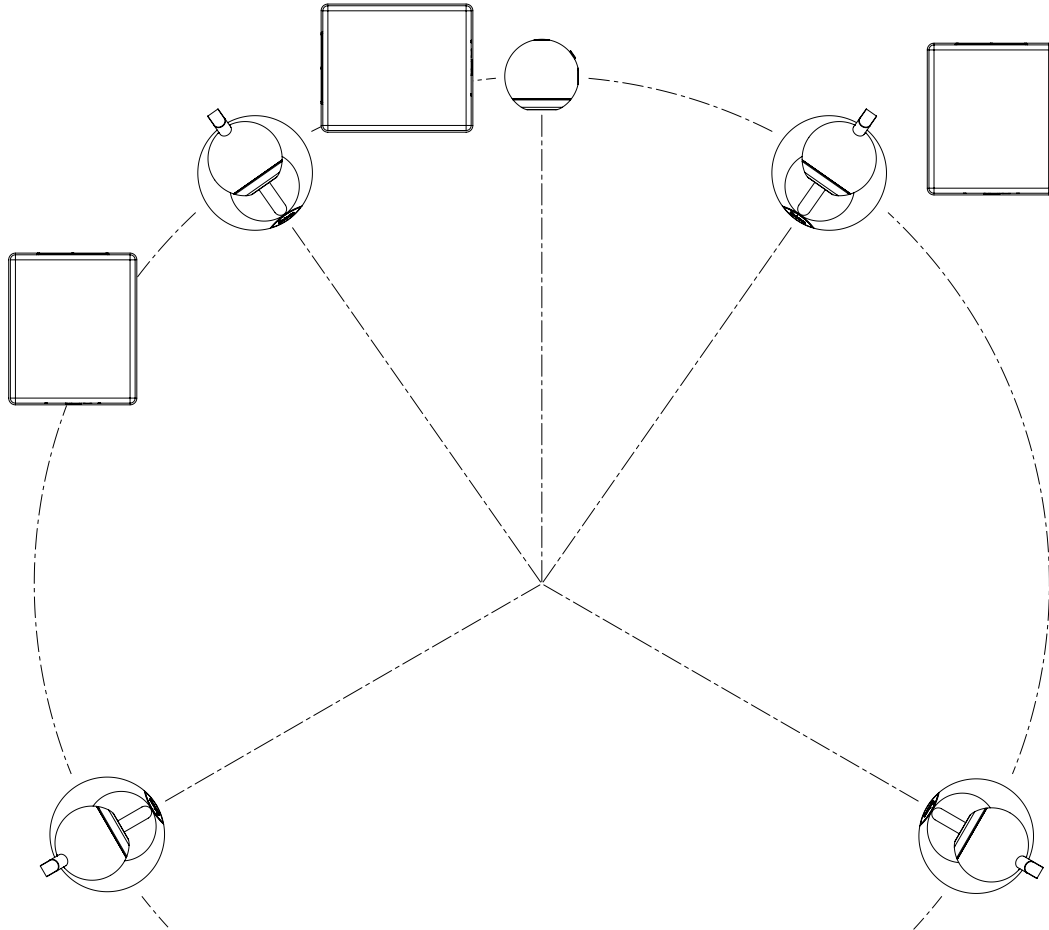
② MONTAGEANLEITUNG FÜR RIGA MIT WANDBEFESTIGUNG

- Den Riga mit Wandbefestigung aus der Verpackung nehmen
- Mithilfe der mit einem Riga gelieferten Metallstifte den Ring **C** abmontieren
- Schraube **b** abschrauben und Kappe **B** abnehmen
- Platte **A** mit 4 der Wand oder der Halterung angepassten Schrauben installieren
- Den Durchgang für das Lautsprecherkabel Ouput (Cable Ouput) je nach gewünschter Befestigung positionieren :
 - bei Kabelaustritt aus der Wand nach oben
 - in die für den Kabeleingang gewünschte Richtung, wenn das Kabel entlang der Mauer angebracht ist
- Das Kabel durch die Punkte **A+B+C** führen
- Kappe **B** wieder auf Platte **A** anbringen und mit Schraube **b** befestigen
- Den Ring **C** von Hand auf der Platte **A** festschrauben, Riga in die gewünschte Position bringen und mithilfe der 2 mitgelieferten Stifte festschrauben

**③ POSITIONNEMENT DES RIGA
ET DU CAISSON DE GRAVES CABASSE**

Positioning of Riga speakers and Cabasse subwoofer

Positionierung der Riga und des Cabasse subwoofers



④ Configuration 2.1 (stereo)

2 satellites Riga + 1 caisson de graves Cabasse

2.1 configuration (stereo)

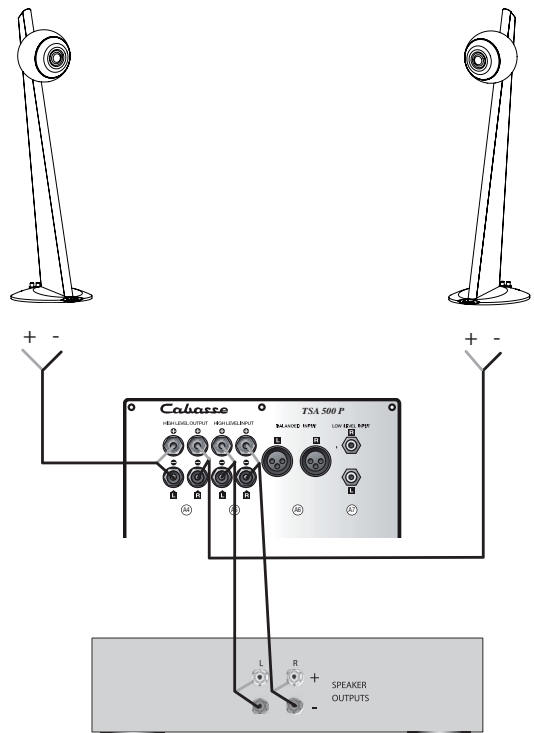
2 Riga speakers + 1 Cabasse subwoofer

Konfiguration 2.1 (stereo)

2 Riga Satelliten + 1 Cabasse Subwoofer



⑤





Configuration 5.1 (Audio Video)

5 satellites Riga

+ 1 caisson de graves Cabasse

5.1 configuration (Audio Video)

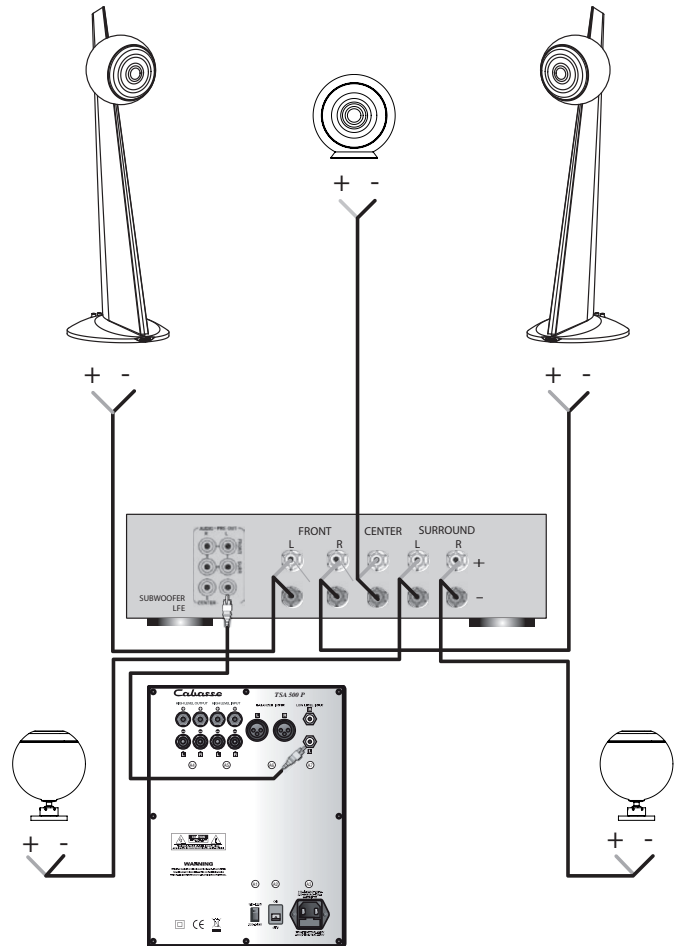
5 Riga speakers

+ 1 Cabasse subwoofer

Konfiguration 5.1 (Audio Video)

5 Riga Satelliten

+ 1 Cabasse Subwoofer



6

7

Configuration 5.1 (Audio Video)

2 enceintes principales + 3 satellites Riga

+ 1 caisson de graves Cabasse

5.1 configuration (Audio Video)

2 main speakers + 3 Riga speakers

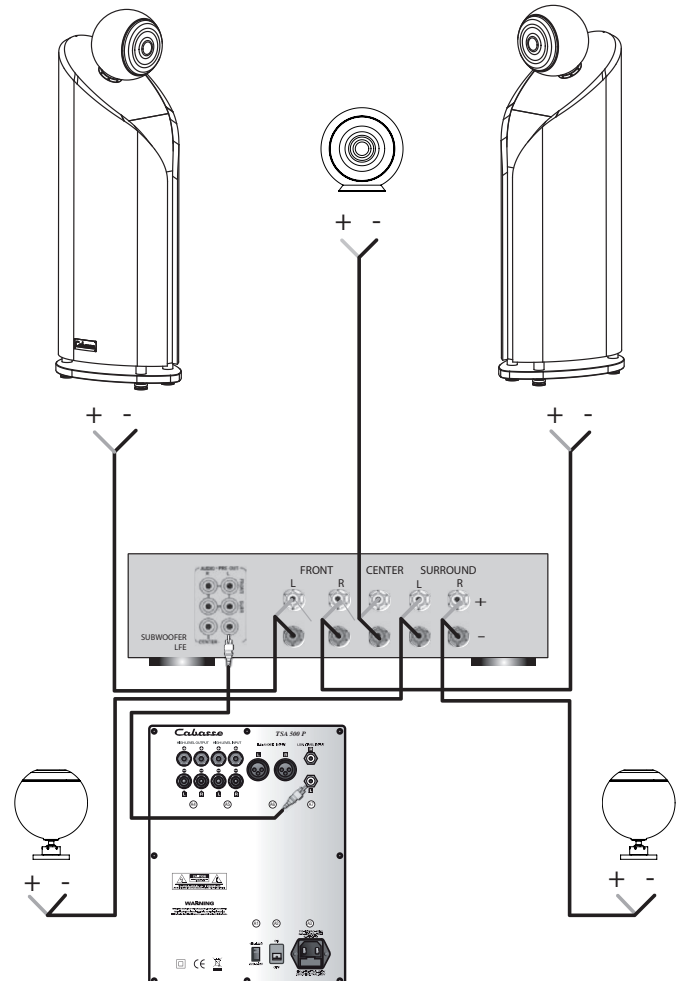
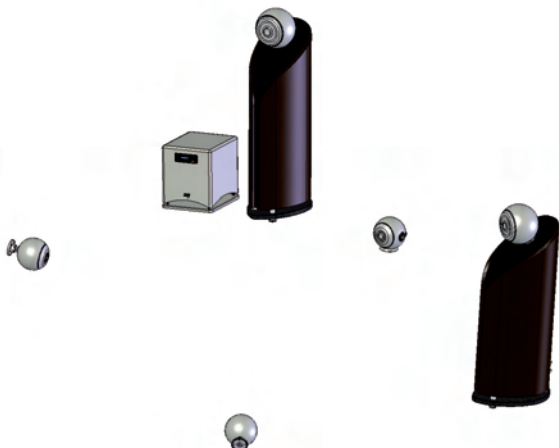
+ 1 Cabasse subwoofer

Konfiguration 5.1 (Audio Video)

2 Hauptlautsprecher

+ 3 Riga Satelliten

+ 1 Cabasse Subwoofer



*Thank you very much for choosing Cabasse speakers.
Please read carefully these instructions before setting up your speakers.*

SAFETY INSTRUCTIONS



Explanation of graphical symbols - The lightning flash

with arrowhead symbol, within an equilateral triangle, is intended to alert you to the presence of uninsulated “dangerous voltage” within the product’s enclosure that may be of sufficient magnitude to constitute a risk of electric shock to persons.

The exclamation point within an equilateral triangle is intended to alert you to the presence of important operating and maintenance (servicing) instructions in the literature accompanying the appliance.

Instructions - Carefully read through all the safety and operating instructions before switching on any device for the first time.

Keep these instructions in mind - They will be constantly referred to through this manual.

Pay special care to warnings - All the warning labels on the product or warning notes in the user’s manual must be followed.

Follow the instructions - Follow carefully all the installation and operation instructions.

Cleaning - Always take off the power cord before cleaning the device. Do not use cleaning solvent, whether liquid or air spray. Using a soft damp cloth is recommended.

Accessories - To avoid incidents, only use accessories expressly recommended by Cabasse.

Water and moisture - The product shall not be used in damp or wet locations, such as humid basements, next to a bathtub, sink, swimming pool or any other similar conditions.



Carts and Stands - The appliance should be used only with a cart or stand that is recommended by the manufacturer.

> **Portable cart warning**

Installation on a piece of furniture and stands - Do not place this device on an unsteady surface, i.e. a stand, tripod, table, shelf, etc. It may fall and cause serious injury to a nearby child or adult.

Ventilation outlets - The device shall not be placed in a position that restrains the operation of its fans. Avoid installing the device on a bed, couch, blanket or other similar surfaces that may prevent the appropriate air flow. Do not install the device in a confined space, such as a book shelf or other piece of furniture, that could prevent sufficient air from flowing freely.

Power - The device shall only be connected to a source of power compliant to the one described in this manual or on relevant printed labels on the product. If you are not sure of the type of power available, please contact your reseller or the local power company.

Power cords - The power cords must be laid out in such a way that they cannot be walked on, pinched, bent under other devices. Also pay special attention to the matching of the plugs and the connection of the cord to the device.

Plastic bags - Keep them away from children to prevent any risk of suffocation.

Lightning - For better protection against lightning or if the device must remain unused for long stretches of time, unplug the power cord and antenna jack. This minimizes potential damages due to lightning or line surges.

Overloads - Avoid overloading the power plugs, extension cords or power relays. This could result in fire or electric shocks.

Foreign bodies and liquids - Avoid letting foreign materials or liquids enter the device. They could cause fire or electric shocks. Never spill any liquid on the device.

Maintenance - Users must never attempt to maintain the device on their own, except for those maintenance operations described in this manual. Any task beyond regular user maintenance must be performed by qualified service operators.

Troubleshooting - You must unplug your device from the power supply and have it checked by a qualified technician if:

- The power supply or the plug is damaged.
- Foreign bodies or liquid penetrated the device.
- The device was exposed to dripping or splashing.
- The device does not seem to work correctly under normal operating conditions. Only operate the controls described in this manual. Any other operation could damage the device and require on-site visit of a qualified technician.
- The device has fallen or its housing is damaged.
- The performances of the device are strongly altered.

Spare parts - If spare parts are needed to repair the device, make sure that the technician followed the manufacturer’s recommendations or that the replacing parts feature the same specifications as the original ones. Non-compliant parts can result in multiple damages, including fire or electric shocks.

Checks - After any servicing of the device, ask the technician to perform appropriate testing to make sure that the device works safely.

Exposure to high temperatures - The device should be kept away from heating sources, such as radiators, heaters, amplifiers or any other similar item likely to make the operating temperature rise excessively.

Applicable for USA, Canada or where approved for usage

Caution ! To prevent electric shock, match wide blade plug to wide slot, insert fully.

UNPACKING

After opening the top carton flaps, fold the carton flaps right back, remove the cardboard sheet, the bag of accessories and follow the process illustrated on page 2.

We suggest you to retain the packing for future use.

With Riga, Cabasse proposes a wide palette of Hi Fi / audio video systems fitted with the BC17, the latest of the SCS (Spatially Coherent System) coaxial range of drivers.

With these 2-way speakers combined with a Cabasse Cabasse active subwoofer, you can get a very high quality system, either in a 2.1 configuration (standard stereo) or in a 5.1 configuration (5 channels system) or 6.1 or 7.1...

Depending on your system - stereo or multi-channel - the size of the listening room, your taste and demand, your Artis dealer will guide you in selecting your Cabasse subwoofer(s):

Santorin 25, Santorin 30i, Santorin 30.

INSTALLATION

The components of your system:

- 2, 3, 5, 6 or 7 Riga
- 1 Cabasse active subwoofer

Riga on wall version

The wall bracket of Riga on wall has been designed to allow a convenient positioning of the BC17 driver in many directions +/- 43° in any direction, and to give the possibility to hide the speaker cable in the wall with no apparent bolts or screws ①. Please follow step by step the instructions as shown in ②.

Riga on base version

Riga on base is delivered with a little cradle, pose the sphere Riga on this cradle. This system enables you to put Riga on a book-shelf.

Floor standing Riga

The stand version is supplied with adjustable spikes for a perfect stability even if the floor is not horizontal.

Positioning of Riga

Positioning of the speakers: if possible, try to match with the ③ drawing, with the Cabasse subwoofer in the front area facing the listening spot. Its position against a wall reinforces the extreme low register and limits the reflections between 80 and 200 Hz. However to obtain the best result, it is always necessary to carry out tests according to the acoustics of the room.

CONNECTIONS

It is imperative to respect the correct phasing when connecting: + to + (red) and - to - (black).

Configuration 2.1 ④

- 2 Riga + 1 Cabasse subwoofer

Connect with speaker cables the amplifier outputs to the terminals HIGH LEVEL INPUT L (left) and HIGH LEVEL INPUT R (right) of the Cabasse subwoofer and connect the outputs HIGH LEVEL OUTPUT L (left) and HIGH LEVEL OUTPUT R (right) of the Cabasse subwoofer to the Riga inputs ⑤.

Configuration 5.1 ⑥

- 5 Riga + 1 Cabasse subwoofer or
- 2 main speakers + 3 Riga + 1 Cabasse subwoofer

When the processor of your audio video amplifier includes a 2.1 set-up (subwoofer for stereo reproduction), connect each speaker output of the 5.1 amplifier directly to the matching Riga (front right, front left, centre, surround...). Connect the subwoofer CINCH RCA output of the amplifier to one of the CINCH RCA LINE IN terminals of the Cabasse subwoofer ⑦.

Then adjust the set-up menu of your audio video amplifier:

5 Riga + 1 Cabasse subwoofer

FRONT	SMALL
CENTER	SMALL
SURROUND	SMALL
SUBWOOFER / LFE	YES

2 main speakers + 3 Riga + 1 Cabasse subwoofer

FRONT	SMALL ou LARGE*
CENTER	SMALL
SURROUND	SMALL
SUBWOOFER / LFE	YES

*Adjustment in SMALL or LARGE, according to their ability in reproducing deep low frequencies.

Some audio video amplifiers require these information:

SUBWOOFER	ONLY
SUBWOOFER stereo	YES

If your audio video has an adjustable crossover frequency, the adjustment will be 100 Hz.

ADJUSTMENTS OF THE SANTORIN 30i AND SANTORIN 30 SUBWOOFERS

2 different models of amplifiers are fitting these subwoofers. The connections are identical but the settings are different. Please use the owner's manual of your subwoofer for phase and delay adjustments.

SANTORIN 30i

The knobs of the potentiometers to be adjusted are placed on the amplifier plate at the back of the Santorin 30i.

Crossover frequency

- 2.1 configuration: 100 Hz

- 5.1 configuration and above: turn the "crossover frequency" knob of the subwoofer up to 200 Hz and select 100 Hz as low-pass frequency for the LFE channel in the receiver set-up menu.



Level

The adjustment of the LEVEL will depend upon room positioning, type of amplifier, etc. With Riga and Santorin 30i, this is the average position of the LEVEL control:



THOR II, LARGO

For an optimum adjustment of this level, we advise you to carry it out starting from a stereo source (CD).

To adjust the level of the low frequency effect channel (LFE), do not modify the sound level of the Cabasse subwoofer but go into the set-up menu of your audio video amplifier 5.1 and adjust the SUBWOOFER / LFE channel.

SANTORIN 30

Use the front keyboard of the subwoofer for the set up process.

Crossover frequency

- 2.1 configuration: select 80 Hz in "LOWPASS FILTER" menu.

- 5.1 configuration and above: enter 200 Hz in "LOWPASS FILTER" menu and select 100 Hz as low-pass frequency for the LFE channel in the receiver's set-up menu.

Level

The adjustment of the LEVEL will depend upon room positioning, Select 0 dB in the LEVEL section of the subwoofer to get the average level. For an optimum adjustment of this level, we advise you to carry it out starting from a stereo source (CD). To adjust the level of the low frequency effect channel (LFE), do not modify the sound level of the Cabasse subwoofer but go into the set-up menu of your audio video amplifier 5.1 and adjust the SUBWOOFER / LFE channel.

MAINTENANCE

The Riga cabinets are covered with a natural wood veneer protected by 4 coats of varnish. This hi-tech veneer does not require any specific care. Use a wet cotton waste for cleaning the veneer, the painted parts and the granite base.

WARRANTY

We thank you for registering the Cabasse warranty within 60 days after their date of purchase. You can either send us the enclosed warranty card fully completed or register on line at www.cabasse.com. In our web site you will also find information on the Cabasse manufacturer warranty.

WEEE MARK



Disposal of Wastes of Electrical & Electronic Equipment (Applicable in the European Union).

This symbol on the product, consisting of the crossed-out wheeled bin, indicates that this product shall not be treated as household waste. Instead it shall be handed over to the applicable collection point for the disposal of electrical and electronic equipment at the end of life. By ensuring this product is disposed of correctly, you will help prevent potential negative consequences for the environment and human health, which could otherwise be caused by inappropriate waste handling of this product. The recycling of materials will help to preserve natural resources. For more detailed information about recycling of this product, please contact your local city office, your household waste disposal service or the shop where you purchased the product.

Thanks to the above information, your system is now nicely set up and you will enjoy your speaker system for many years. We receive every day letters from customers expressing the ever growing satisfaction and musical emotion they have been getting with our speakers over the years. These letters are our first motivation.

TECHNICAL DATA

SPECIFICATIONS	RIGA
Speaker	2/7 channels
Number of ways	2
Driver	co-axial low-midrange-midrange/tweeter BC17
Frequency bandwidth	95 - 20,000 Hz
Efficiency	90 dB/2.8V/1m
Nominal impedance	8 ohms
Minimum impedance	3.4 ohms
Power handling	150 W
Peak power handling	1,000 W
Riga	
finish	wild cherry/black pearl, santos/black pearl, wenge/black pearl wenge/pearl
dimensions	123 x 34 x 39 cm 48.4 x 13.4 x 15.4 in
weight	14 kg - 31 lbs
Riga on wall	
finish	black pearl, pearl, white
dimensions	22 x 22 x 27 cm 8.7 x 8.7 x 10.6 in
weight	6 kg - 13 lbs
Riga on base	
finish	black pearl, pearl
dimensions	22.4 x 22 x 21 cm 8.8 x 8.7 x 8.3 in
weight	5.5 kg - 12.1 lbs

Because of technical improvements already under way in our constant search for optimum quality, Cabasse reserves the right to modify all the models presented in specification sheets, advertising materials and manuals without prior notice.

Our web site www.cabasse.com will give you the specific adjustments we recommend for the use of our active subwoofers.

Cabasse

Cabasse SA - 210, rue René Descartes - BP 10 - 29280 Plouzané
Tel +33 (0)2 98 05 88 88 - Fax +33 (0)2 98 05 88 99
www.cabasse.com - info@cabasse.com

Service Consommateur France :
service-conso@cabasse.com