

V-KICK TRIGGER PAD
KD-120

OWNER'S MANUAL

We'd like to take a moment to thank you for purchasing the Roland KD-120.

Before using this unit, carefully read the sections entitled: "USING THE UNIT SAFELY" (p. 2-3) and "IMPORTANT NOTES" (p. 3). These sections provide important information concerning the proper operation of the unit. Additionally, in order to feel assured that you have gained a good grasp of every feature provided by your new unit, Owner's manual should be read in its entirety. The manual should be saved and kept on hand as a convenient reference.

CONTENTS

Features.....4
 Contents of the Package.....4
 Names of the KD-120 Components4
 Setup.....5
 Connecting to the Sound Module7
 Head Adjustment.....8
 Head Replacement.....9
 Specifications.....10



Copyright © 1998 ROLAND CORPORATION
 All rights reserved. No part of this publication may be reproduced in any form without the written permission of ROLAND CORPORATION.






USING THE UNIT SAFELY

INSTRUCTIONS FOR THE PREVENTION OF FIRE, ELECTRIC SHOCK, OR INJURY TO PERSONS

About ⚠ WARNING and ⚠ CAUTION Notices


⚠ WARNING	Used for instructions intended to alert the user to the risk of death or severe injury should the unit be used improperly.
⚠ CAUTION	Used for instructions intended to alert the user to the risk of injury or material damage should the unit be used improperly. * Material damage refers to damage or other adverse effects caused with respect to the home and all its furnishings, as well to domestic animals or pets.


About the Symbols


	The ⚠ symbol alerts the user to important instructions or warnings. The specific meaning of the symbol is determined by the design contained within the triangle. In the case of the symbol at left, it is used for general cautions, warnings, or alerts to danger.
	The ⚡ symbol alerts the user to items that must never be carried out (are forbidden). The specific thing that must not be done is indicated by the design contained within the circle. In the case of the symbol at left, it means that the unit must never be disassembled.
	The ● symbol alerts the user to things that must be carried out. The specific thing that must be done is indicated by the design contained within the circle. In the case of the symbol at left, it means that the power-plug must be unplugged from the outlet.



ALWAYS OBSERVE THE FOLLOWING

⚠ WARNING


- Before using this unit, make sure to read the instructions below, and the Owner's Manual. 



- Do not open or perform any internal modifications on the unit. (The only exception would be where this manual provides specific instructions which should be followed in order to put in place user-installable options; see p. 5.) 


- Do not attempt to repair the unit, or replace parts within it (except when this manual provides specific instructions directing you to do so). Refer all servicing to your retailer, the nearest Roland Service Center, or an authorized Roland distributor, as listed on the "Information" page. 


- Never use or store the unit in places that are:
 - Subject to temperature extremes (e.g., direct sunlight in an enclosed vehicle, near a heating duct, on top of heat-generating equipment); or are 
 - Damp (e.g., baths, washrooms, on wet floors); or are 
 - Humid; or are
 - Exposed to rain; or are
 - Dusty; or are
 - Subject to high levels of vibration.

⚠ WARNING

- Make sure you always have the unit placed so it is level and sure to remain stable. Never place it on stands that could wobble, or on inclined surfaces. 

- Do not allow any objects (e.g., flammable material, coins, pins); or liquids of any kind (water, soft drinks, etc.) to penetrate the unit. 


- In households with small children, an adult should provide supervision until the child is capable of following all the rules essential for the safe operation of the unit. 

- Protect the unit from strong impact. (Do not drop it!) 

 **CAUTION**

- Try to prevent cords and cables from becoming entangled. Also, all cords and cables should be placed so they are out of the reach of children.



- Never climb on top of, nor place heavy objects on the unit.



IMPORTANT NOTES

In addition to the items listed under “USING THE UNIT SAFELY” on page 2–3, please read and observe the following:

Placement

- Do not expose the unit to direct sunlight, place it near devices that radiate heat, leave it inside an enclosed vehicle, or otherwise subject it to temperature extremes. Excessive heat can deform or discolor the unit.

Maintenance

- For everyday cleaning wipe the unit with a soft, dry cloth or one that has been slightly dampened with water. To remove stubborn dirt, use a cloth impregnated with a mild, non-abrasive detergent. Afterwards, be sure to wipe the unit thoroughly with a soft, dry cloth.
- Never use benzine, thinners, alcohol or solvents of any kind, to avoid the possibility of discoloration and/or deformation.

Additional Precautions

- Use a reasonable amount of care when using the unit’s buttons, sliders, or other controls; and when using its jacks and connectors. Rough handling can lead to malfunctions.
- When connecting / disconnecting all cables, grasp the connector itself—never pull on the cable. This way you will avoid causing shorts, or damage to the cable’s internal elements.
- To avoid disturbing your neighbors, try to keep the unit’s volume at reasonable levels. You may prefer to use headphones, so you do not need to be concerned about those around you (especially when it is late at night).
- This instrument is designed to minimize the extraneous sounds produced when it’s played. However, since sound vibrations can be transmitted through floors and walls to a greater degree than expected, take care not to allow these sounds to become a nuisance to neighbors, especially when performing at night and when using headphones.

Features

- Kick trigger pad with net material on head for superior playing feel, and quiet response.
- The four-leg stand assures outstanding stability.
- You can also play using a double kick pedal.

Contents of the Package

☐ **KD-120 Pad**



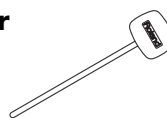
☐ **Stand**



☐ **Leg x 2**



☐ **Beater**



☐ **Drum key**

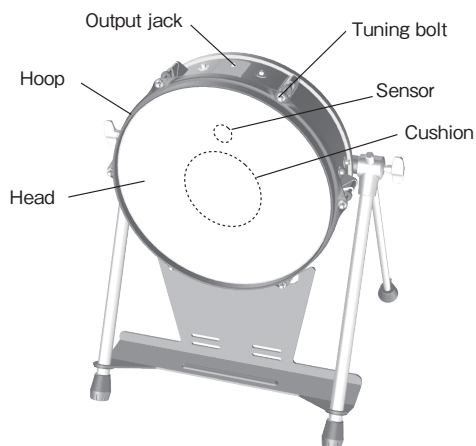
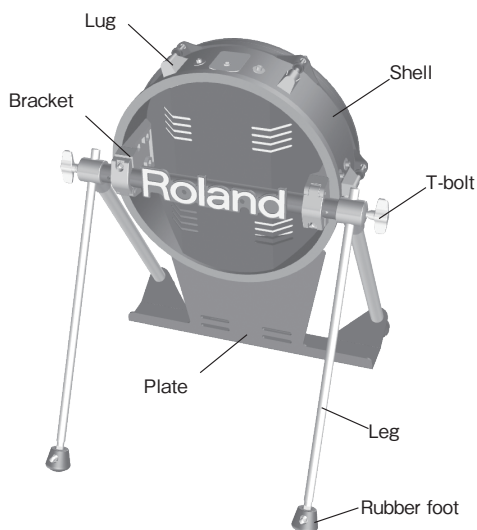
☐ **Connection Cable**

■ **Owner's Manual (this manual)**



This package does not include a kick pedal. Use with a commercially available kick pedal installed on the KD-120.

Names of the KD-120 Components

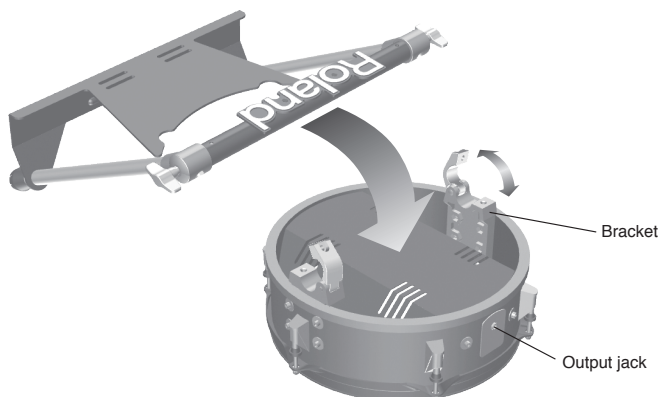


Due to the nature of the materials used in the sensor, changes in room temperature and humid may affect the sensitivity of the sensor.

Setup

Assembling the KD-120

1. Place the KD-120 pad, with the head surface facing downward, on a flat surface such as the floor.
2. Use the included drum key to loosen and remove the bolts for the brackets on the back of the KD-120 pad.
3. Mount the stand on the brackets so that the output jack for the KD-120 pad faces up. Use the bolts you removed earlier to secure the KD-120 pad to the stand, tightening the bolts with the included drum key.



* Take care not to pinch your fingers between the KD-120 pad and the stand plate.

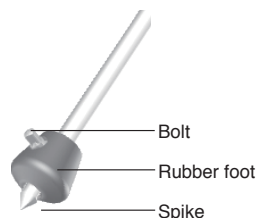
4. Adjust the ends of the legs to match the location where you're installing the KD-120. Adjust to use the spike legs when installing on carpeting or other soft surfaces, or the rubber legs when installing on flooring or other hard surfaces. When shipped from the factory, the stand is adjusted for using the rubber legs. If you're using the rubber legs, proceed to step 5 on the next page.

Switching to the spike leg

1. Slightly loosen the foot bolt.
2. Move the rubber foot all the way upward, and then tighten the bolt. The spike will protrude from the rubber foot.

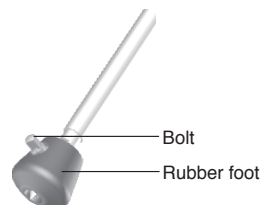
* The tip of the spike is sharp. Handle it with care.

* When using on flooring, the spike may damage the floor. Change to the rubber foot.

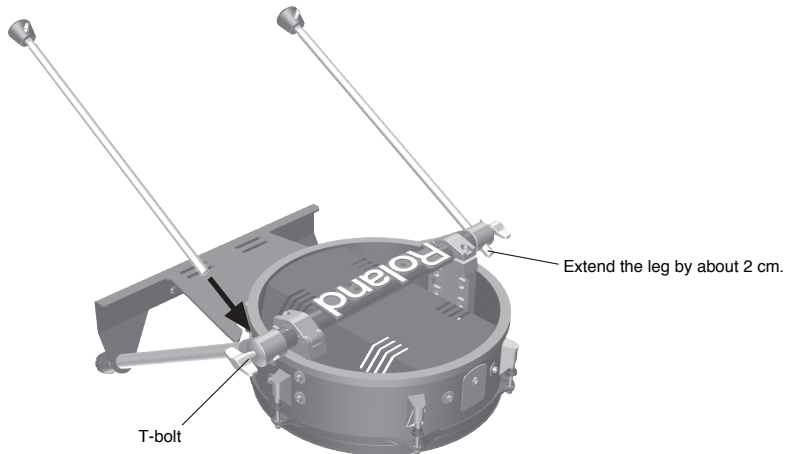


Switching to the rubber leg

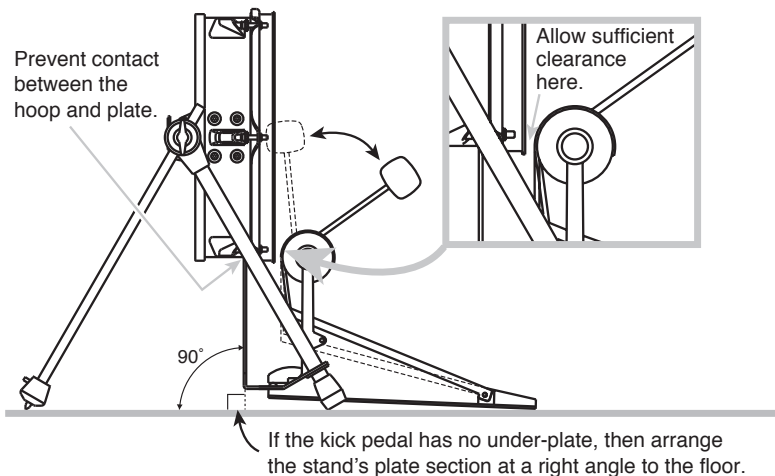
1. Slightly loosen the foot bolt.
2. Move the rubber foot all the way downward, and then tighten the bolt.



- 5.** Loosen the T-bolts for the stand and mount the legs on the stand. Install the legs as shown in the figure so that the ends of the legs protrude by about 2 cm.



- 6.** Tighten the T-bolts to secure the legs to the stand.
- 7.** Lift the KD-120 and place the stand and the four legs upright.
- 8.** Adjust the angle of the head surface so that it's at a right angle to the floor. Use the included drum key to loosen the bracket bolts you tightened in step 3, and adjust the angle of the KD-120 pad so that the head surface is at a right angle to the floor.
- 9.** Install the included beater on your kick pedal.
** Using a beater made of felt may result in wear to the felt. Use the special included beater or a plastic beater as the beater for the kick pedal.*
- 10.** Mount the kick pedal on the KD-120.
** With certain kick pedals, the chain (or belt) may come into contact with the hoop surrounding the KD-120's pad. If this occurs, adjust the angle of the KD-120's pad to prevent such contact. Keep the adjustment within a range that does not allow the KD-120's pad hoop to touch the plate of the stand.*

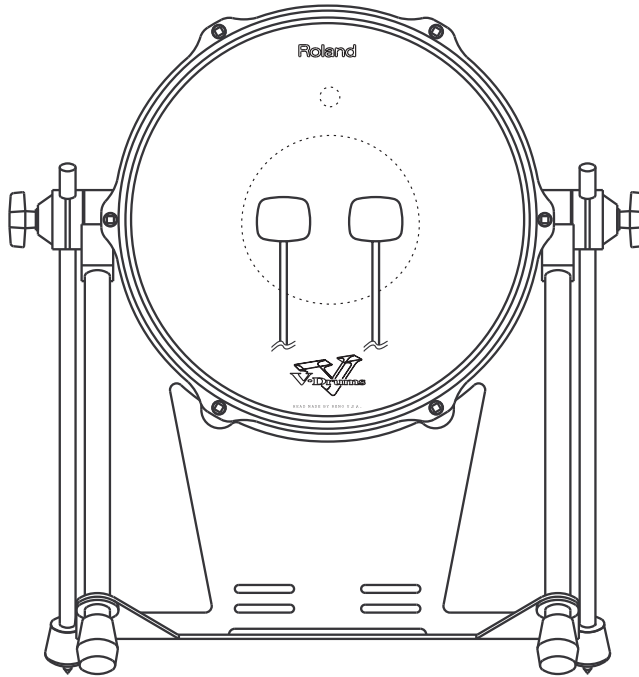


- 11.** Make any fine adjustments necessary and tighten the stand brackets to make sure the KD-120 is secure on the stand. Make sure the KD-120's four legs and heel portion of the kick pedal is securely on the floor by loosening the stand's T-bolts and adjusting the length of the legs.
** If the kick pedal has no under-plate, then arrange the stand's plate section at a right angle to the floor.*
- 12.** Adjust the striking point for the beater. Normally the beater's striking point is adjusted to fall at the center of the head. Adjust the striking point so that it doesn't extend beyond the cushion on the back of the head. Moving the striking point closer to the sensor increases the sensitivity, so carry out fine adjustment to suit your preferences.

When Using a Double Kick Pedal

With the KD-120, you can also play using a double kick pedal.

Set this up so that the striking points of the two beaters fall at equal distances to the left and right of the center of the head.



* When using a double kick pedal, as with a regular pedal, use the included beater or a plastic beater as the beater for the kick pedal.

Connecting to the Sound Module

Connecting the KD-120 to a sound module.



To prevent malfunction and/or damage to speakers or other devices, always turn down the volume, and turn off the power on all devices before making any connections.

- Make sure that KD-120 does not touch the drum stand or the other pads.
- The appropriate Trigger Type settings need to be made for the percussion sound module.

For instructions on making the settings, read the Owner's Manual for the relevant sound module.

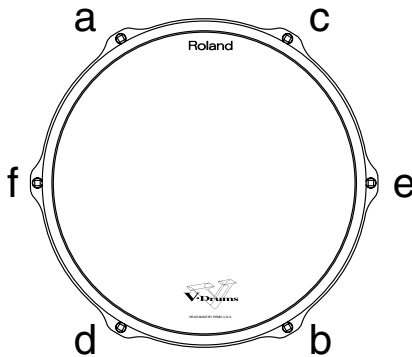
Head Adjustment

The head tension of the KD-120 can be adjusted.

Adjusting the Head Tension

When adjusting, use the included drum key or the drum key for your acoustic drums. In general, a tension that produces a strike response approximately the same as an acoustic bass drum will be appropriate.

* *Head tension that is too loose may not only cause incorrect operation, but may even damage the sensor.*



1. Check the current tension of the head.
2. Remove the kick pedal from the KD-120.
3. Adjust bolt 'a' in the above diagram. Rotate it clockwise to tighten the head tension, or slightly counterclockwise to loosen the tension.
 - * *Fully tightening a tuning bolt at only a single location produces uneven tensioning, which may make it impossible to obtain the proper strike sensitivity and may even result in incorrect operation. Be sure to tighten each tuning bolt a little at a time, as described in the above explanation.*
4. Adjust bolt 'b' so that the tension is the same as the tension of 'a'.
5. Next adjust 'c' and 'd', and 'e' and 'f' in the same way.
6. Make sure that the head tension is even, and repeat steps 5 and 6 if you wish to make further adjustments.
 - * *On the KD-120, adjusting the head tension affects only the head response, and does not change the pitch of the sound as it would on an acoustic drum. To adjust the pitch, edit the sound parameters of the TD-20 or TD-12. For details refer to the respective owner's manual.*
 - * *The head tension will change as the instrument is used, so you should readjust when necessary.*
7. Mount the kick pedal on the KD-120.

Head Replacement

When the head should be replaced

The head is an expendable item that eventually will wear out and need to be replaced.

Replace the head when the following occurs:

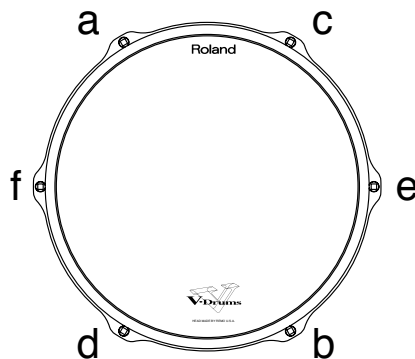
- The head surface is torn
- Slack portions remain in the head even when the head tension is properly adjusted.

To replace a head, contact your dealer or Roland service center.

Replacing the Head

When replacing the head, use the included drum key or the drum key for your acoustic drums.

- * Do not apply excessive force to the sensor and cushion located under the head. Doing so can interfere with accurate detection, and may damage it.



1. Remove all tuning bolts from the KD-120. Go around and gradually loosen each one in order (by turning it counterclockwise).
2. Remove the hoop.
3. Remove the old head.
4. Place the new head on the shell.
5. Place the hoop onto the head.
6. First lightly tighten bolt 'a' in the above diagram by rotating it clockwise. Then tighten bolt 'b' to about the same force.
7. Now lightly tighten 'c', and then 'd'. Tighten 'e' and 'f' in the same way.
8. Next adjust the tension of the head. Refer to "Adjusting the Head Tension" above.

- * Fully tightening a tuning bolt at only a single location produces uneven tensioning, which may make it impossible to obtain the proper strike sensitivity and may even result in incorrect operation. Be sure to tighten each tuning bolt a little at a time, as described in the above explanation.

Specifications

Pad Size:	12 inches
Dimensions:	490 (W) x 400 (D) x 500 (H) mm 19-5/16 (W) x 15-3/4 (D) x 19-11/16 (H) inches
Weight:	6.8 kg / 15 lbs
Accessories:	Owner's Manual, Connection Cable, Beater, Drum Key

- * In the interest of product improvement, the specifications and/or appearance of this unit are subject to change without prior notice.

