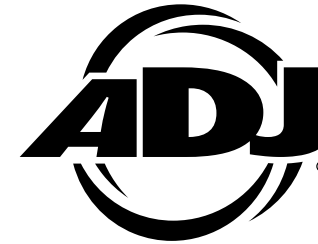


## VF Snow Flurry HO

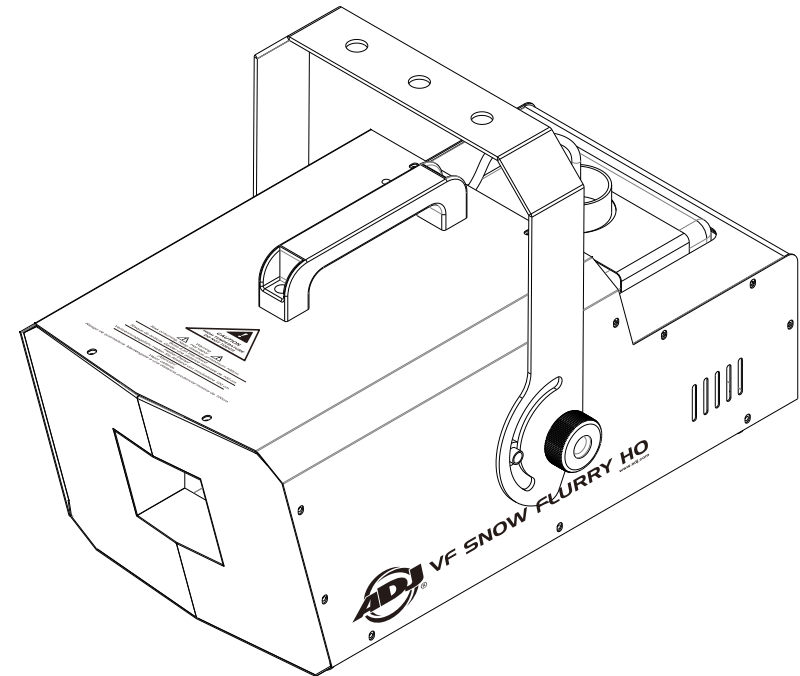
## Specifications

|                           |   |
|---------------------------|---|
| MODEL - VF Snow Flurry HO |   |
| VOLTAGE*:                 | 110v~50/60Hz or 220v~50Hz   |
| WEIGHT:                   | 17.5 Lbs. / 8 Kgs   |
| DIMENSIONS:               | 20" (L) x 12.5 (W) x 13.75" (H)<br>510 x 316 x 349mm (With Bracket) |
|                           | 20" (L) x 12.5 (W) x 10.5" (H)<br>510 x 316 x 268mm (w/o Bracket)   |
| FUSE:                     | 15A (110V) or 10A (220V)  |
| TANK CAPACITY:            | 2.3 Liter   |
| SPRAY DISTANCE:           | 8-10 Meters   |
| FLUID TYPE:               | American DJ Snow Juice  |
| WARM UP TIME:             | No Warm Up Time   |
| DUTY CYCLE:               | Not to exceed 6 hours turned on.                                    |

*\*Voltage is preset at the factory and may not be changed*



# VF SNOW FLURRY HO



## User Instructions

ADJ Products, LLC

6122 S. Eastern Ave. Los Angeles, CA 90040 USA

Tel: 323-582-2650 / Fax: 323-725-6100

Web: [www.adj.com](http://www.adj.com) / E-mail: [info@americandj.com](mailto:info@americandj.com)

A.D.J. Supply Europe B.V.

Junostraat 2

6468 EW Kerkrade

Netherlands

[service@adjgroup.eu](mailto:service@adjgroup.eu) / [www.adj.com](http://www.adj.com)

Tel: +31 45 546 85 00 / Fax: +31 45 546 85 99

Follow Us On:



[facebook.com/americandj](https://www.facebook.com/americandj)  
[twitter.com/americandj](https://twitter.com/americandj)  
[youtube.com/adjlighting](https://www.youtube.com/adjlighting)

©2015 ADJ Products, LLC all rights reserved. Information, specifications, diagrams, images, and instructions herein are subject to change without notice. ADJ Products, LLC logo and identifying product names and numbers herein are trademarks of ADJ Products, LLC. Copyright protection claimed includes all forms and matters of copyrightable materials and information now allowed by statutory or judicial law or hereinafter granted. Product names used in this document may be trademarks or registered trademarks of their respective companies and are hereby acknowledged. All non-ADJ Products, LLC brands and product names are trademarks or registered trademarks of their respective companies.

**ADJ Products, LLC** and all affiliated companies hereby disclaim any and all liabilities for property, equipment, building, and electrical damages, injuries to any persons, and direct or indirect economic loss associated with the use or reliance of any information contained within this document, and/or as a result of the improper, unsafe, insufficient and negligent assembly, installation, rigging, and operation of this product.

Europe Energy Saving Notice  
Energy Saving Matters (EuP 2009/125/EC)  
Saving electric energy is a key to help protecting the environment.  
Please turn off all electrical products when they are not in use. To avoid power consumption in idle mode, disconnect all electrical equipment from power when not in use. Thank you!

## VF Snow Flurry HO

## Warranty

### MANUFACTURER'S LIMITED WARRANTY

- A. ADJ Products, LLC hereby warrants, to the original purchaser, ADJ Products, LLC products to be free of manufacturing defects in material and workmanship for a prescribed period from the date of purchase (see specific warranty period on reverse). This warranty shall be valid only if the product is purchased within the United States of America, including possessions and territories. It is the owner's responsibility to establish the date and place of purchase by acceptable evidence, at the time service is sought.
- B. **For warranty service you must obtain a Return Authorization number (RA#) before sending back the product—please contact ADJ Products, LLC Service Department at 800-322-6337.** Send the product only to the ADJ Products, LLC factory. All shipping charges must be pre-paid. If the requested repairs or service (including parts replacement) are within the terms of this warranty, ADJ Products, LLC will pay return shipping charges only to a designated point within the United States. If the entire instrument is sent, it must be shipped in its original package. No accessories should be shipped with the product. If any accessories are shipped with the product, ADJ Products, LLC shall have no liability whatsoever for loss of or damage to any such accessories, nor for the safe return thereof.
- C. This warranty is void if the serial number has been altered or removed; if the product is modified in any manner which ADJ Products, LLC concludes, after inspection, affects the reliability of the product; if the product has been repaired or serviced by anyone other than the ADJ Products, LLC factory unless prior written authorization was issued to purchaser by ADJ Products, LLC; if the product is damaged because not properly maintained as set forth in the instruction manual.
- D. This is not a service contract, and this warranty does not include maintenance, cleaning or periodic check up. During the period specified above, ADJ Products, LLC will replace defective parts at its expense with new or refurbished parts, and will absorb all expenses for warranty service and repair labor by reason of defects in material or workmanship. The sole responsibility of ADJ Products, LLC under this warranty shall be limited to the repair of the product, or replacement thereof, including parts, at the sole discretion of ADJ Products, LLC. All products covered by this warranty were manufactured after August 15, 2012, and bear indentifying marks to that effect.
- E. ADJ Products, LLC reserves the right to make changes in design and/or improvements upon its products without any obligation to include these changes in any products theretofore manufactured.

No warranty, whether expressed or implied, is given or made with respect to any accessory supplied with products described above. Except to the extent prohibited by applicable law, all implied warranties made by ADJ Products, LLC in connection with this product, including warranties of merchantability or fitness, are limited in duration to the warranty period set forth above. And no warranties, whether expressed or implied, including warranties of merchantability or fitness, shall apply to this product after said period has expired. The consumer's and/or Dealer's sole remedy shall be such repair or replacement as is expressly provided above; and under no circumstances shall ADJ Products, LLC be liable for any loss or damage, direct or consequential, arising out of the use of, or inability to use, this product.

This warranty is the only written warranty applicable to ADJ Products, LLC Products and supersedes all prior warranties and written descriptions of warranty terms and conditions heretofore published.

### MANUFACTURER'S LIMITED WARRANTY PERIODS:

- **Lighting Products = 1-year (365 days) Limited Warranty** (Such as: Special Effect Lighting, Intelligent Lighting, UV lighting, Strobes, Fog Machines, Bubble Machines, Mirror Balls, Par Cans, Trussing, Lighting Stands etc. excluding LED and lamps)
- **Laser Products = 1 Year (365 Days) Limited Warranty** (excluding laser diodes which have a 6 month limited warranty)
- **L.E.D. Products = 2-year (730 days) Limited Warranty** (excluding motors, PCB boards, and power supplies, which have a 1-year (365 day Limited Warranty) batteries which have a 180 day limited warranty). Only the L.E.D.s carry a 2-year warranty (excluding StarTec Series which carries a 90 Day Limited Warranty)
- **ADJ DMX Controllers = 2 Year (730 Days) Limited Warranty** (excluding faders and tact switches)

## VF Snow Flurry HO

## Warranty Registration

The VF Snow Flurry HO snow machine carries a one year (365 days) limited warranty. Please fill out the enclosed warranty card to validate your purchase. All returned service items whether under warranty or not, must be freight pre-paid and accompany a return authorization (R.A.) number. The R.A. number must be clearly written on the outside of the return package. A brief description of the problem as well as the R.A. number must also be written down on a piece of paper and included in the shipping container. If the unit is under warranty, you must provide a copy of your proof of purchase invoice. You may obtain a R.A. number by contacting customer support at (800) 322-6337.

## VF Snow Flurry HO

## Trouble Shooting

If you experience low snow output, pump noise, or no snow output at all, disconnect and discontinue use immediately. Do not attempt to continue pushing the remote control's activation button as this may damage the snow machine. Check fluid level, the external fuse, remote connection, and be sure the wall outlet is sending power. If all of the above appear to be okay, and the unit fails to operate correctly, the unit will require service. Please contact ADJ Products, LLC.

## VF Snow Flurry HO

## Proper Storage and Maintenance

When storing your snow machine be sure to store it in a cool area. Cover the machine so that dust does not build up on the unit. When storing the machine for long periods of time, it is highly advised to at least run the machine every 3-4 months. Long periods of inactivity can severely shorten the life of your machine. Only run water based snow juice through your machine. Never run plain water, vinegar, or any other liquid solution through your machine. Running anything other than water based snow juice will severely damage your machine.

## VF Snow Flurry HO

## Introduction

**Introduction:** Congratulations, you have just purchased the VF Snow Flurry HO snow machine. The VF Snow Flurry HO snow machine has been designed to perform reliably for years when the guidelines in this booklet are followed. Please read and understand the instructions in this manual carefully and thoroughly before attempting to operate this unit. These instructions contain important information regarding safety during use and maintenance.

**Customer Support:** ADJ Products, LLC provides a toll free customer support line, to provide set up help and to answer any question should you encounter problems during your set up or initial operation. You may also visit us on the web at [www.adj.com](http://www.adj.com) for any comments or suggestions. For service related issue please contact ADJ Products, LLC. Service Hours are Monday through Friday 8:00 a.m. to 4:30 p.m. Pacific Standard Time.

Voice: (800) 322-6337

Fax: (323) 582-2941

E-mail: [support@americandj.com](mailto:support@americandj.com)

To purchase parts online visit <http://parts.americandj.com>

**Warning!** To prevent or reduce the risk of electrical shock or fire, do not expose this unit to rain or moisture.

**Caution!** There are no user serviceable parts inside this unit. Do not attempt any repairs yourself, doing so will void your manufactures warranty. In the unlikely event your unit may require service please contact ADJ Products, LLC.

Do not discard the shipping cartoon in the trash. Please recycle when ever possible.

**Please Note:** *Specifications and improvements in the design of this unit and this manual are subject to change without any prior written notice.*

## VF Snow Flurry HO

## Safety Precautions

- Be sure to save the packing carton in the unlikely event the unit may have to be returned for service
- Do not spill water or other liquids into or on to your snow machine. Be sure that all the snow fluid is kept inside the fluid reservoir
- Be sure that the local power outlet match that or the required voltage for your snow machine
- Do not remove the top cover under any conditions. There are no user serviceable parts inside
- Disconnect the unit's main power when left unused for long periods of time
- Never connect this unit to a dimmer pack
- Do not attempt to operate this unit, if it becomes damaged in anyway
- Never operate this unit when it's cover is removed
- To reduce the risk of electrical shock or fire, do not expose this unit rain or moisture
- Do not attempt to operate this unit if the power cord has been frayed or broken. Do not attempt to remove or break off the ground prong from the electrical cord. This prong is used to reduce the risk of electrical shock and fire in case of an internal short
- Disconnect from main power before making any type of connection
- Never block the ventilation holes. Always be sure to mount this unit in an area that will allow proper ventilation. Allow about 6" (15cm) between this device and a wall
- This unit is intended for indoor use only, use of this product outdoors voids all warranties
- Always mount this unit in a safe and stable matter
- Please route your power cord out of the way of foot traffic. Power cords should be routed so they are not likely to be walked on, pinched by items placed upon or against them
- The unit should only be serviced by qualified service personnel when:
  - A. The power-supply cord or the plug has been damaged.
  - B. Objects have fallen, or liquid has been spilled into the unit.
  - C. The unit has been exposed to rain or water.
  - D. The appliance does not appear to operate normally or exhibits a marked change in performance.

## VF Snow Flurry HO

## Timer Remote Control

***Always be sure to maintain an adequate supply of American DJ Brand Snow Juice in the fluid reservoir. Running the snow machine dry will cause pump failure and or clogging. This is the largest cause of failure in snow, fog, and haze machines. Only American DJ Snow Juice is recommended and not all snow juice is created equal.***

***Timer Remote Operation:*** Start by connecting the remote to the fog machine. The timer function allows fog to be emitted at designated intervals. The remote has three (3) LED's that indicate different functions. ***WHEN THE DMX MODE IS ACTIVE THE TIMER FUNCTION WILL NOT WORK.***

- The **YELLOW** LED located to the left will indicate the timer is turned on and is activated.
- The **RED** LED will indicate that the remote is plugged in and active.
- The **GREEN** LED located to the right is lit, it means that Timer Remote control is active. This button is used to manually emit snow from the machine. If DMX or UC IR remote is being used, the green LED will not be lit. When fluid tank is empty, the LED will flash indicating that the tank is empty.

The remote also contains three rotary knobs.

- The Duration knob sets the timers duration (Length of snow output).
- The Interval knob sets the snow output intervals (Length between snow output)
- The Output knob sets the amount of snow the machine will output.

**Caution: Before removing or replacing the remote control unit disconnect the power supply.**

**DMX Mode:**

The VF Snow Flurry HO has 1 DMX channel.

1. This function will allow you to control the fixture with a standard DMX 512 controller.
2. You can directly plug the DMX cable and controller into the snow machine and the snow machine will automatically detect the DMX signal. When it detects it the display will show the DMX address, you can use the UP or DOWN buttons to change the current DMX address if you desire, and press ENTER to set the address.
3. The other way to connect via DMX is by setting the DMX address first using the UP or DOWN buttons then pressing ENTER. The address you have set will be the saved address and will appear everytime you connect to DMX until you change the address.
4. After you have set your DMX address plug in the fixture via the XLR connections to any standard DMX controller. Follow the set-up specifications that come with your DMX controller.

| VF Snow Flurry HO |                    | DMX Values & Traits  |
|-------------------|--------------------|--|
| Channel           | Value              | Function   |
| 1                 | 0 - 10<br>11 - 255 | SNOW OUTPUT<br>FAN OFF NO SNOW OUTPUT<br>FAN ON SNOW OUTPUT<br>LEAST - MORE OUTPUT |
| VF Snow Flurry HO |                    | ADJ UC IR Control  |

The **UC IR** (not included) infrared remote gives you control of simple functions. To control the fixture you must aim the remote at the front of the fixture and be no more than 30 feet away. **Note: When DMX mode is active, UC IR will be inactive. UC IR function automatically saves the data from the last action.**

1. To run your fixture using the UC IR, use the digital menu located on the rear panel of the unit. Press the MENU button until "Ir" is displayed and press ENTER.

**STAND BY - On/Off**

**"DIMMER +" and "DIMMER -"** - Use these buttons to adjust the output intensity. "+" increases snow output, "-" decreases snow output.

**Power Supply:** Before plugging your unit in, be sure the source voltage in your area matches the required voltage for your ADJ VF Snow Flurry HO. The VF Snow Flurry HO is available in a 120v and 220v version. Because line voltage may vary from venue to venue, you should be sure your unit voltages matches the wall outlet voltage before attempting to operate you fixture.

**DMX-512:** *DMX is short for Digital Multiplex. This is a universal protocol used by most lighting and controller manufactures as a form of communication between intelligent fixtures and controllers. A DMX controller sends DMX data instructions from the controller to the fixture. DMX data is sent as serial data that travels from fixture to fixture via the DATA "IN" and DATA "OUT" XLR terminals located on all DMX fixtures (most controllers only have a DATA "OUT" terminal).*

**DMX Linking:** DMX is a language allowing all makes and models of different manufactures to be linked together and operate from a single controller, as long as all fixtures and the controller are DMX compliant. *To ensure proper DMX data transmission, when using several DMX fixtures try to use the shortest cable path possible. The order in which fixtures are connected in a DMX line does not influence the DMX addressing. For example; a fixture assigned a DMX address of 1 may be placed anywhere in a DMX line, at the beginning, at the end, or anywhere in the middle. Therefore, the first fixture controlled by the controller could be the last fixture in the chain. When a fixture is assigned a DMX address of 1, the DMX controller knows to send DATA assigned to address 1 to that unit, no matter where it is located in the DMX chain.*

**Data Cable (DMX Cable) Requirements (For DMX and Master/Slave Operation):** The VF Snow Flurry HO can be controlled via DMX-512 protocol. The VF Snow Flurry HO 1 channel DMX unit. The DMX address is set using the dipswitches on the rear panel of the unit. Your unit and your DMX controller require a approved DMX-512 110 Ohm Data cable for data input and data output (Figure 1). We recommend Accu-Cable DMX cables. If you are making your own cables, be sure to use standard 110-120 Ohm



Figure 1

## VF Snow Flurry HO

## DMX Set-Up

shielded cable (This cable may be purchased at almost all professional sound and lighting stores). Your cables should be made with a male and female XLR connector on either end of the cable. Also remember that DMX cable must be daisy chained and cannot be split.

**Notice:** Be sure to follow figures two and three when making your own cables. Do not use the ground lug on the XLR connector. Do not connect the cable's shield conductor to the ground lug or allow the shield conductor to come in contact with the XLR's outer casing. Grounding the shield could cause a short circuit and erratic behavior.

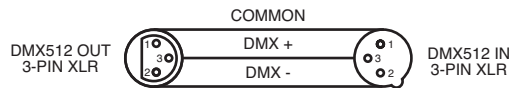


Figure 2

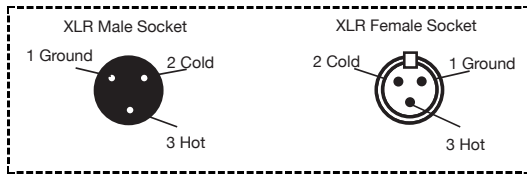


Figure 3

**Special Note: Line Termination.** When longer runs of cable are used, you may need to use a terminator on the last unit to avoid erratic behavior. A terminator is a 110-120 ohm 1/4 watt resistor which is connected between pins 2 and 3 of a male XLR connector (DATA + and DATA -). This unit is inserted in the female XLR connector of the last unit in your daisy chain to terminate the line. Using a cable terminator (ADJ part number Z-DMX/T) will decrease the possibilities of erratic behavior.



Termination reduces signal errors and avoids signal transmission problems and interference. It is always advisable to connect a DMX terminal. (Resistance 120 Ohm 1/4 W) between PIN 2 (DMX-) and PIN 3 (DMX +) of the last fixture.

Figure 4

## VF Snow Flurry HO

## Description

The new VF Snow Flurry HO snow machine features a snow juice level sensor. When the snow juice level reaches a low level, a built-in sensor inside the reservoir will automatically shut off the pump. This will greatly expand the life of the pump.

This unit includes a switch located on the rear panel that allows you to control the speed of the air pump located inside the unit. This switch controls the size of the flakes that are produced by the machine. In the max position the air flow will be low, producing larger flakes. In the minimum position the air flow will be higher producing smaller flakes. The snow output volume is controlled using the included remote control.

## VF Snow Flurry HO

## Set-Up

1. Open the shipping carton and carefully remove the unit from the shipping carton.
2. Be sure to remove all the packing material especially around the nozzle/sock.
3. Set the snow machine on a flat dry surface. Locate the included bracket from the package and install it using the supplied hardware to the side casing. Note: The bracket is an optional accessory and may not be used if desired, however if you intend to suspend the unit from truss the bracket must be used.
4. Remove the fluid reservoir cap and fill it with American DJ® brand snow juice only and replace the reservoir cap.
5. Place the feeder tube with the filter deep inside the reservoir and tighten the cap.
6. Using the switch on the rear of the unit, set the air volume output to either the minimum air volume setting (large snow flakes) or the maximum air volume setting (small snow flakes).
7. Firmly attach the remote control unit to the rear remote control socket on the unit. Turn the rotary knob, clockwise to set a small to large snow output.
8. Plug the unit in to a matching power supply. Switch on the main power located on the rear of the unit.

**NOTE: The liquid reservoir will glow green when power is applied.**