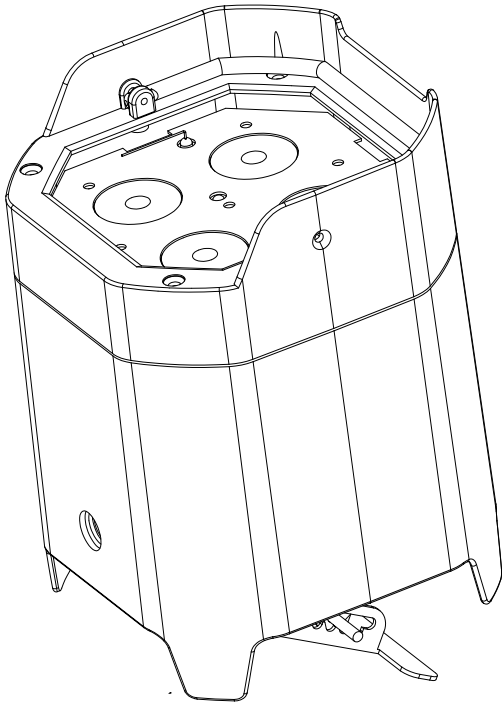




# ELEMENT HEX



## User Instructions



©2017 ADJ Products, LLC all rights reserved. Information, specifications, diagrams, images, and instructions herein are subject to change without notice. ADJ Products, LLC logo and identifying product names and numbers herein are trademarks of ADJ Products, LLC. Copyright protection claimed includes all forms and matters of copyrightable materials and information now allowed by statutory or judicial law or hereinafter granted. Product names used in this document may be trademarks or registered trademarks of their respective companies and are hereby acknowledged. All non-ADJ Products, LLC brands and product names are trademarks or registered trademarks of their respective companies.

**ADJ Products, LLC** and all affiliated companies hereby disclaim any and all liabilities for property, equipment, building, and electrical damages, injuries to any persons, and direct or indirect economic loss associated with the use or reliance of any information contained within this document, and/or as a result of the improper, unsafe, insufficient and negligent assembly, installation, rigging, and operation of this product.

### FCC STATEMENT

This device complies with Part 15 of the FCC Rules. Operation is subject to the following two conditions: (1) this device may not cause harmful interference, and (2) this device must accept any interference received, including interference that may cause undesired operation.

### FCC RADIO FREQUENCY INTERFERENCE WARNINGS & INSTRUCTIONS

This product has been tested and found to comply with the limits as per Part 15 of the FCC Rules. These limits are designed to provide reasonable protection against harmful interference in a residential installation. This device uses and can radiate radio frequency energy and, if not installed and used in accordance with the included instructions, may cause harmful interference to radio communications. However, there is no guarantee that interference will not occur in a particular installation. If this device does cause harmful interference to radio or television reception, which can be determined by turning the device off and on, the user is encouraged to try to correct the interference by one or more of the following methods:

- Reorient or relocate the device and/or antenna.
- Increase the separation between the device and the receiver.
- Connect the device into an electrical outlet on a circuit different from that which the radio receiver is connected.
- Consult the dealer or an experienced radio/TV technician for help.

### Europe Energy Saving Notice

#### Energy Saving Matters (EuP 2009/125/EC)

Saving electric energy is a key to help protecting the environment. Please turn off all electrical products when they are not in use. To avoid power consumption in idle mode, disconnect all electrical equipment from power when not in use. Thank you!

### DOCUMENT VERSION

Please check [www.adj.com](http://www.adj.com) for the latest revision/update of this guide.

Date	Document Version	Software Version ≥	DMX Channel Mode	Notes
09/11/17	1.2	1.00	6/7/8/11/12	ETL Version

## Element Hex

## Introduction

**Unpacking:** Thank you for purchasing the Element Hex by ADJ Products, LLC. Every Element Hex has been thoroughly tested and has been shipped in perfect operating condition. Carefully check the shipping carton for damage that may have occurred during shipping. If the carton appears to be damaged, carefully inspect your fixture for any damage and be sure all accessories necessary to operate the unit has arrived intact. In the case damage has been found or parts are missing, please contact our toll free customer support number for further instructions. Do not return this unit to your dealer without first contacting customer support.

**Introduction:** The ADJ Element Hex is a DMX intelligent, high powered LED par fixture. This fixture can be used in a stand alone mode or connected in a Master/Slave configuration. This wash has five operating modes: Sound Active mode, Auto Run mode, RGBWA + UV Dimmer mode, Static Color mode, and DMX control mode. To optimize the performance of this product, please read these operating instructions carefully to familiarize yourself with the basic operations of this unit. These instructions contain important safety information regarding the use and maintenance of this unit. Please keep this manual with the unit, for future reference.

**Customer Support:** ADJ Products, LLC provides a customer support line, to provide set up help and to answer any question should you encounter problems during your set up or initial operation. You may also visit us on the web at [www.adj.com](http://www.adj.com) for any comments or suggestions. Service Hours are Monday through Friday 8:00 a.m. to 4:30 p.m. Pacific Standard Time.

Voice: (323) 582-3322  
Fax: (323) 582-3108  
E-mail: [support@AmericanDJ.com](mailto:support@AmericanDJ.com)

**Warning!** To prevent or reduce the risk of electrical shock or fire, do not expose this unit to rain or moisture.

**Caution!** There are no user serviceable parts inside this unit. Do not attempt any repairs yourself, doing so will void your manufactures warranty. In the unlikely event your unit may require service please contact ADJ Products, LLC.

**PLEASE recycle the shipping carton when ever possible.**

## Element Hex

## Features

- Five Operating Modes
- Electronic Dimming 0-100%
- 5 Selectable Dimming Curves
- 63 Color Macros
- Built in Microphone
- DMX-512 protocol
- 3-Pin DMX Connection
- 5 DMX Modes: 6 Channel Mode, 7 Channel Mode, 8 Channel Mode, 11 Channel Mode, & 12 Channel Mode.
- ADJ UC IR & Airstream IR compatible
- Power Cord Daisy Chain (See page 36)

Included Accessories:

- 1 x I.E.C. power cable
- 1 x UC IR Remote Control
- 1 x Airstream IR Transmitter

## Element Hex

## Warranty Registration

The Element Hex carries a 2 year limited warranty. Please fill out the enclosed warranty card to validate your purchase. All returned service items whether under warranty or not, must be freight pre-paid and accompany a return authorization (R.A.) number. The R.A. number must be clearly written on the outside of the return package. A brief description of the problem as well as the R.A. number must also be written down on a piece of paper included in the shipping carton. If the unit is under warranty, you must provide a copy of your proof of purchase invoice. You may obtain a R.A. number by contacting our customer support team on our customer support number. All packages returned to the service department not displaying a R.A. number on the outside of the package will be returned to the shipper.

**NOT FOR RESIDENTIAL/HOUSE HOLD USE  
NON DESTINÉ À UN USAGE DOMESTIQUE**

**SUITABLE FOR DAMP LOCATIONS  
CONVIENT AUX EMPLACEMENTS HUMIDES**

- To reduce the risk of electrical shock or fire, do not expose this unit rain or moisture
- Do not spill water or other liquids into or on to your unit.
- Do not attempt to operate this unit if the power cord has been frayed or broken. Do not attempt to remove or break off the ground prong from the electrical cord. This prong is used to reduce the risk of electrical shock and fire in case of an internal short.
- Disconnect from main power before making any type of connection.
- Do not remove the cover under any conditions. There are no user serviceable parts inside.
- Never operate this unit when it's cover is removed.
- Never plug this unit in to a dimmer pack
- Always be sure to mount this unit in an area that will allow proper ventilation. Allow about 6" (15cm) between this device and a wall.
- Do not attempt to operate this unit, if it becomes damaged.
- This unit is intended for indoor use only, use of this product outdoors voids all warranties.
- During long periods of non-use, disconnect the unit's main power.
- Always mount this unit in safe and stable matter.
- Power-supply cords should be routed so that they are not likely to be walked on or pinched by items placed upon or against them, paying particular attention to the point they exit from the unit.
- Cleaning -The fixture should be cleaned only as recommended by the manufacturer. See page 37 for cleaning details.
- Heat -The appliance should be situated away from heat sources such as radiators, heat registers, stoves, or other appliances (including amplifiers) that produce heat.
- The fixture should be serviced by qualified service personnel when:
  - A. The power-supply cord or the plug has been damaged.
  - B. Objects have fallen, or liquid has been spilled into the fixture.
  - C. The fixture has been exposed to rain or water.
  - D. The fixture does not appear to operate normally or exhibits a marked change in performance.
  - E. The fixture has fallen and/or subjected to extreme handling.

**⚠ CAUTION**

**HIGH  
INTENSITY  
ULTRAVIOLET  
LIGHT**



**AVOID DIRECT EYE & SKIN EXPOSURE.  
WEAR PROPER EYE & SKIN PROTECTION.  
SEE MANUAL FOR SAFETY INSTRUCTIONS.**

**RISK GROUP 3 - RISK OF EXPOSURE TO ULTRAVIOLET (UV) RADIATION!**

**FIXTURE EMITS HIGH INTENSITY ULTRAVIOLET (UV) LIGHT  
AT A WAVELENGTH OF 395NM - 435NM.**

**WEAR PROPER EYE AND SKIN PROTECTION.**

**AVOID PROLONGED PERIODS OF EXPOSURE.**

**AVOID WEARING WHITE COLOR CLOTHING AND/OR  
USING (UV) PAINTS ON SKIN.**

**AVOID DIRECT EYE AND/OR SKIN EXPOSURE AT DISTANCES  
SHORTER THAN 11 feet (3.3m).**

**DO NOT OPERATE FIXTURE WITH DAMAGED OR MISSING EXTERNAL  
COVER PROTECTIVE LENS.**

**DO NOT LOOK DIRECTLY INTO THE (UV) LIGHT AND/OR VIEW (UV)  
LIGHT DIRECTLY WITH OPTICAL INSTRUMENTS THAT MAY CONCEN-  
TRATE THE LIGHT/RADIATION OUTPUT.**

**INDIVIDUALS SUFFERING FROM A RANGE OF EYE CONDITIONS, SUN-  
LIGHT EXPOSURE DISORDERS, OR INDIVIDUALS USING PHOTOSEN-  
SITIVE MEDICATION, MAY RECEIVE DISCOMFORT IF EXPOSED TO THE  
ULTRAVIOLET (UV) LIGHT EMITTED FROM THIS FIXTURE.**

## 1. Handling of Batteries

### 1.1 Do Not Short Circuit the Battery

Try to never short circuit the battery. It generates a very high current which could cause the battery to overheat which may result in electrolyte gel leakage, harmful fumes, or explosion. The LIR tabs may easily short-circuit by placing them on conductive surface. A short circuit may lead to heat build up and damage of the battery. An appropriate circuitry with PCM is employed to protect accidental short circuit of the battery pack.

### 1.2 Mechanical shock

Dropping the unit, impact hit, bending, etc. may cause failure or shortend life of the LIR battery.

## 3. Other

### 3.1 Battery connection

1). Direct soldering of wire leads or devices to the battery is strictly prohibited.

2). Lead tabs with pre-soldered wiring shall be spot welded to the batteries. Direct soldering may cause damage of components, such as separator and insulator, by heat build up.

### 3.2 Prevention of short circuit within a battery pack

There is enough insulation layers between wiring and the batteries to provide extra safety protection. The battery pack is constructed in a way that no short circuit will occur which may cause smoke or fire.

### 3.3 Do Not Disassemble the Batteries

1). Never disassemble the batteries.

Doing this may cause a internal short circuit in the battery, which may lead to harmful fumes, fire, explosion, or other problems.

2). Electrolyte Gel is harmful

Electrolyte Gel should not leak from the LIR battery. Should the electrolyte gel come into contact with the skin or eyes, flush the

area of contact immediately with fresh water and seek medical attention immediately.

### 3.4 Do Not Expose the Battery to Heat or Fire

Never incinerate or dispose of the batteries in fire. This may cause an explosion, which would be very dangerous.

### 3.5 Do Not Expose the Battery to water or liquids

Never soak/drop the batteries in liquids such as water, seawater, drinks such as soft drinks, juices, coffee or other.

### 3.6 Battery Replacement

For battery replacement please contact American DJ customer support (800) 322-6337.

### 3.7 Do Not use a damaged Battery

The battery could be damaged during shipping, caused by shock. Should the battery be found damaged, including damages to the plastic casing of the battery, deformation of the battery package, smelling of an electrolyte, or leakage of the electrolyte gel, or other, DO NOT use the battery. A battery with a odor of electrolyte or a gel leakage should be placed away from fire to avoid fire or explosion.

## 4. Battery Storage

When storing the battery, it should be stored at room temperature, with a charge of at least 50%. We recommend that during long periods of storage that the battery be charged every 6 months. Doing this will prolong the life of the battery and will also make sure that the battery charge does not fall below the 30% mark.

## 5. Other Chemical Reaction

Because batteries utilize a chemical reaction, battery performance will deteriorate over time even if stored for a long period of time without being used. In addition, if the various usage conditions such as charge, discharge, ambient temperature, etc. are not maintained within the specified ranges, the

life expectancy of the battery maybe shortened or the device in which the battery is used may be damaged by electrolyte gel leakage. If the batteries cannot maintain a charge for long periods of time, even when they are charged correctly, this may indicate it is time to change the battery.

## 6. Battery Disposal

Please dispose of battery according to local regulations.

**Power Supply:** The ADJ Element Hex contains a automatic voltage switch, which will auto sense the voltage when it is plugged into the power source. With this switch there is no need to worry about the correct power voltage, this unit can be plugged in anywhere.

**DMX-512:** DMX is short for Digital Multiplex. This is a universal protocol used as a form of communication between intelligent fixtures and controllers. A DMX controller sends DMX data instructions from the controller to the fixture. DMX data is sent as serial data that travels from fixture to fixture via the DATA “IN” and DATA “OUT” XLR terminals located on all DMX fixtures (most controllers only have a DATA “OUT” terminal).

**DMX Linking:** DMX is a language allowing all makes and models of different manufactures to be linked together and operate from a single controller, as long as all fixtures and the controller are DMX compliant. To ensure proper DMX data transmission, when using several DMX fixtures try to use the shortest cable path possible. The order in which fixtures are connected in a DMX line does not influence the DMX addressing. For example; a fixture assigned a DMX address of 1 may be placed anywhere in a DMX line, at the beginning, at the end, or anywhere in the middle. When a fixture is assigned a DMX address of 1, the DMX controller knows to send DATA assigned to address 1 to that unit, no matter where it is located in the DMX chain.

### Data Cable (DMX Cable) Requirements (For DMX Operation):

The Element Hex can be controlled via DMX-512 protocol. The Element Hex has 5 DMX modes, please see page 27 for the different modes. The DMX address is set on the front panel of the Element Hex. Your unit and your DMX controller require a standard 3-pin XLR connector for data input and data output (Figure 1). We recommend Accu-Cable DMX cables. If you are making your own cables, be sure to use standard 110-120 Ohm shielded cable (This cable may be purchased at almost all pro lighting stores). Your cables should be made with a male and female XLR connector on either end of the cable. Also remember that DMX cable must be daisy chained and cannot be split.



Figure 1



**Notice:** Be sure to follow figures two and three when making your own cables. Do not use the ground lug on the XLR connector. Do not connect the cable's shield conductor to the ground lug or allow the shield conductor to come in contact with the XLR's outer casing. Grounding the shield could cause a short circuit and erratic behavior.

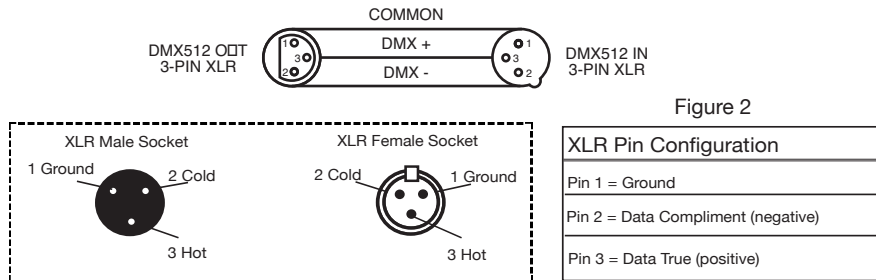


Figure 3

**Special Note: Line Termination.** When longer runs of cable are used, you may need to use a terminator on the last unit to avoid erratic behavior. A terminator is a 110-120 ohm 1/4 watt resistor which is connected between pins 2 and 3 of a male XLR connector (DATA + and DATA -). This unit is inserted in the female XLR connector of the last unit in your daisy chain to terminate the line. Using a cable terminator (ADJ part number Z-DMX/T) will decrease the possibilities of erratic behavior.



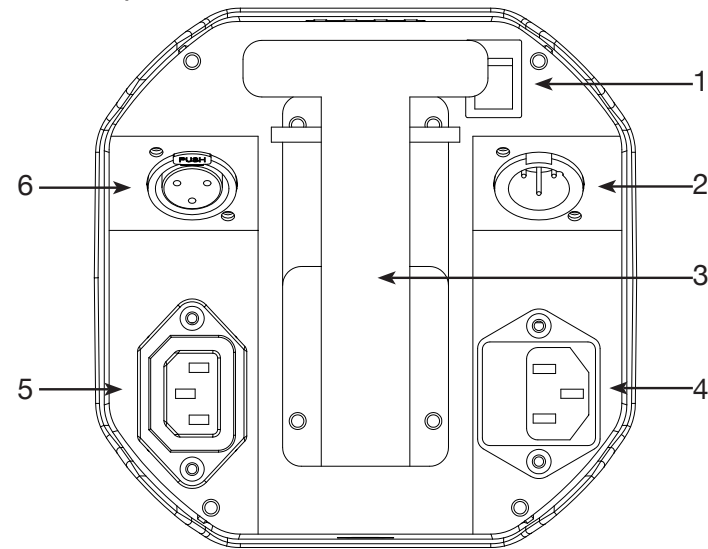
Termination reduces signal errors and avoids signal transmission problems and interference. It is always advisable to connect a DMX terminal, (Resistance 120 Ohm 1/4 W) between PIN 2 (DMX-) and PIN 3 (DMX +) of the last fixture.

Figure 4

**5-Pin XLR DMX Connectors.** Some manufactures use 5-pin DMX-512 data cables for DATA transmission in place of 3-pin. 5-pin DMX fixtures may be implemented in a 3-pin DMX line. When inserting standard 5-pin data cables in to a 3-pin line a cable adaptor must be used, these adaptors are readily available at most electric stores. The chart below details a proper cable conversion.

3-Pin XLR to 5-Pin XLR Conversion		
Conductor	3-Pin XLR Female (Out)	5-Pin XLR Male (In)
Ground/Shield	Pin 1	Pin 1
Data Compliment (- signal)	Pin 2	Pin 2
Data True (+ signal)	Pin 3	Pin 3
Not Used		Do Not Use
Not Used		Do Not Use

DMX Connections and Power Connections: All connections are located underneath the unit. You will find all connections and other features pointed out below.



1. Battery On/Off Switch: This switch is used to activate the battery power. You must also activate the LOAD function. See page 24 "LOAD SETTING" to activate.
2. 3-Pin DMX In: This input is used to send a DMX signal to a connected unit for master-slave set up.
3. Kickstand: This kickstand is used to angle the unit to various degrees. There are 3 different degree levels. Note: Be very cautious at the degree in which you angle the unit at, due to the fact that it could fall over.
4. Power Input & Fuse Holder: This input is used to connect the included I.E.C. power cord. After connecting the power cord, plug the other end into a matching power source. Located inside the power socket is the fuse housing. See page 37 for fuse replacement.
5. Power Output: This connection is used to receive a incoming power source from another unit.
6. 3-Pin DMX Out: This output is used to send a DMX signal to a connected unit for master-slave control.

**Element Hex****DMX Control****DMX Mode:**

Operating through a DMX controller gives the user the freedom to create their own programs tailored to their own individual needs. This function also allows you to use your fixtures as spot lights. The Element Hex has 5 DMX modes: 6 channel mode, 7 channel mode, 8 channel mode, 11 channel mode, and 12 channel mode. See pages 13-22 for each mode's DMX traits.

1. This function will allow you to control each individual fixture's traits with a standard DMX 512 controller.
2. To run your fixture in DMX mode press the MODE button until "d.XXX" is displayed. "XXX" represents the current displayed DMX address. Use the UP or DOWN buttons to select your desired DMX address, then press the SETUP button to select your DMX Channel mode.
3. Use the UP or DOWN buttons to scroll through the DMX Channel modes. The Channel modes are listed below:
  - To run the 6 Channel Mode, press the MODE button until "Ch06" is displayed. This is the 6 Channel DMX Mode.
  - To run the 7 Channel Mode, press the MODE button until "Ch07" is displayed. This is the 7 Channel DMX Mode.
  - To run the 8 Channel Mode, press the MODE button until "Ch08" is displayed. This is the 8 Channel DMX Mode.
  - To run the 11 Channel Mode, press the MODE button until "Ch011" is displayed. This is the 11 Channel DMX Mode.
  - To run the 12 Channel Mode, press the MODE button until "Ch012" is displayed. This is the 12 Channel DMX Mode.
4. Please see pages 13-22 for DMX values and traits.
5. After you have chosen your desired DMX Channel mode plug in the fixture via the XLR connections to any standard DMX controller.

**Element Hex****6 Channel Mode**

Channel	Value	Function
1	0 - 255	RED 0% - 100%
2	0 - 255	GREEN 0% - 100%
3	0 - 255	BLUE 0% - 100%
4	0 - 255	WHITE 0% - 100%
5	0 - 255	AMBER 0% - 100%
6	0 - 255	UV 0% - 100%

**Element Hex****7 Channel Mode**

Channel	Value	Function
1	0 - 255	RED 0% - 100%
2	0 - 255	GREEN 0% - 100%
3	0 - 255	BLUE 0% - 100%
4	0 - 255	WHITE 0% - 100%
5	0 - 255	AMBER 0% - 100%
6	0 - 255	UV 0% - 100%
7	0 - 255	MASTER DIMMER 0% - 100%

Element Hex		8 Channel Mode
Channel	Value	Function
1	0 - 255	RED 0% - 100%
2	0 - 255	GREEN 0% - 100%
3	0 - 255	BLUE 0% - 100%
4	0 - 255	WHITE 0% - 100%
5	0 - 255	AMBER 0% - 100%
6	0 - 255	UV 0% - 100%
7	0 - 255	MASTER DIMMER 0% - 100%
8	0 - 31 32 - 63 64 - 95 96 - 127 128 - 159 160 - 191 192 - 223 224 - 255	STROBING LED OFF LED ON STROBE SLOW - FAST LED ON PULSE STROBE SLOW - FAST LED ON RANDOM STROBE SLOW - FAST LED ON

Element Hex		11 Channel Mode
Channel	Value	Function
1	0 - 255	RED 0% - 100%
2	0 - 255	GREEN 0% - 100%
3	0 - 255	BLUE 0% - 100%
4	0 - 255	WHITE 0% - 100%
5	0 - 255	AMBER 0% - 100%
6	0 - 255	UV 0% - 100%
7	0 - 255	MASTER DIMMER 0% - 100%
8	0 - 31 32 - 63 64 - 95 96 - 127 128 - 159 160 - 191 192 - 223 224 - 255	STROBING LED OFF LED ON STROBE SLOW - FAST LED ON PULSE STROBE SLOW - FAST LED ON RANDOM STROBE SLOW - FAST LED ON
9	0 - 51 52 - 102 103 - 153 154 - 204 205 - 255	PROGRAM SELECTION MODE DIMMING MODE COLOR MACRO MODE COLOR CHANGE MODE COLOR FADE MODE SOUND ACTIVE MODE



Element Hex		11 Channel Mode
Channel	Value	Function
10		COLOR MACROS/PROGRAMS/ SOUND ACTIVITY
	0 - 255	COLOR MACRO MODE See the Color Macro Chart on page 23
		COLOR CHANGE PROGRAMS
	0 - 15	COLOR CHANGE 1
	16 - 31	COLOR CHANGE 2
	32 - 47	COLOR CHANGE 3
	48 - 63	COLOR CHANGE 4
	64 - 79	COLOR CHANGE 5
	80 - 95	COLOR CHANGE 6
	96 - 111	COLOR CHANGE 7
	112 - 127	COLOR CHANGE 8
	128 - 143	COLOR CHANGE 9
	144 - 159	COLOR CHANGE 10
	160 - 175	COLOR CHANGE 11
	176 - 191	COLOR CHANGE 12
	192 - 207	COLOR CHANGE 13
	208 - 223	COLOR CHANGE 14
	224 - 239	COLOR CHANGE 15
	240 - 255	COLOR CHANGE 16

When Channel 9 is between the values of 0-51, Channels 1-6 are used, and Channel 8 will control strobing.

When Channel 9 is between the values of 52-102, Channel 10 is in Color Macros Mode, and Channel 8 will control strobing.

When Channel 9 is between the values of 103-153, Channel 10 is in Color Change Mode, and Channel 11 will control the color change speed.

When Channel 9 is between the values of 154-204, Channel 10 is in Color Fade Mode, and Channel 11 will control the color fade speed.

When Channel 9 is between the values of 205-255, Channel 10 is in Sound Active Mode, and Channel 11 will control the sound sensitivity.

Element Hex		11 Channel Mode
Channel	Value	Function
10		COLOR MACROS/PROGRAMS/ SOUND ACTIVITY
		COLOR FADE PROGRAMS
	0 - 15	COLOR FADE 1
	16 - 31	COLOR FADE 2
	32 - 47	COLOR FADE 3
	48 - 63	COLOR FADE 4
	64 - 79	COLOR FADE 5
	80 - 95	COLOR FADE 6
	96 - 111	COLOR FADE 7
	112 - 127	COLOR FADE 8
	128 - 143	COLOR FADE 9
	144 - 159	COLOR FADE 10
	160 - 175	COLOR FADE 11
	176 - 191	COLOR FADE 12
	192 - 207	COLOR FADE 13
	208 - 223	COLOR FADE 14
	224 - 239	COLOR FADE 15
	240 - 255	COLOR FADE 16

SOUND ACTIVE PROGRAMS AND VALUES ARE LOCATED ON THE NEXT PAGE.

Element Hex		11 Channel Mode
Channel	Value	Function
10		COLOR MACROS/PROGRAMS/ SOUND ACTIVITY
		SOUND ACTIVE PROGRAMS
	0 - 15	SOUND ACTIVE MODE 1
	16 - 31	SOUND ACTIVE MODE 2
	32 - 47	SOUND ACTIVE MODE 3
	48 - 63	SOUND ACTIVE MODE 4
	64 - 79	SOUND ACTIVE MODE 5
	80 - 95	SOUND ACTIVE MODE 6
	96 - 111	SOUND ACTIVE MODE 7
	112 - 127	SOUND ACTIVE MODE 8
	128 - 143	SOUND ACTIVE MODE 9
	144 - 159	SOUND ACTIVE MODE 10
	160 - 175	SOUND ACTIVE MODE 11
	176 - 191	SOUND ACTIVE MODE 12
	192 - 207	SOUND ACTIVE MODE 13
	208 - 223	SOUND ACTIVE MODE 14
	224 - 239	SOUND ACTIVE MODE 15
	240 - 255	SOUND ACTIVE MODE 16
11	0 - 255	PROGRAM SPEED/SOUND SENSE

Element Hex		12 Channel Mode
Channel	Value	Function
1	0 - 255	RED 0% - 100%
2	0 - 255	GREEN 0% - 100%
3	0 - 255	BLUE 0% - 100%
4	0 - 255	WHITE 0% - 100%
5	0 - 255	AMBER 0% - 100%
6	0 - 255	UV 0% - 100%
7	0 - 255	MASTER DIMMER 0% - 100%
8	0 - 31 32 - 63 64 - 95 96 - 127 128 - 159 160 - 191 192 - 223 224 - 255	STROBING LED OFF LED ON STROBE SLOW - FAST LED ON PULSE STROBE SLOW - FAST LED ON RANDOM STROBE SLOW - FAST LED ON
9	0 - 51 52 - 102 103 - 153 154 - 204 205 - 255	PROGRAM SELECTION MODE DIMMING MODE COLOR MACRO MODE COLOR CHANGE MODE COLOR FADE MODE SOUND ACTIVE MODE

Element Hex		12 Channel Mode
Channel	Value	Function
10		COLOR MACROS/PROGRAMS/ SOUND ACTIVITY
	0 - 255	COLOR MACRO MODE See the Color Macro Chart on page 23
		COLOR CHANGE PROGRAMS
	0 - 15	COLOR CHANGE 1
	16 - 31	COLOR CHANGE 2
	32 - 47	COLOR CHANGE 3
	48 - 63	COLOR CHANGE 4
	64 - 79	COLOR CHANGE 5
	80 - 95	COLOR CHANGE 6
	96 - 111	COLOR CHANGE 7
	112 - 127	COLOR CHANGE 8
	128 - 143	COLOR CHANGE 9
	144 - 159	COLOR CHANGE 10
	160 - 175	COLOR CHANGE 11
	176 - 191	COLOR CHANGE 12
	192 - 207	COLOR CHANGE 13
	208 - 223	COLOR CHANGE 14
	224 - 239	COLOR CHANGE 15
	240 - 255	COLOR CHANGE 16

When Channel 9 is between the values of 0-51, Channels 1-6 are used, and Channel 8 will control strobing.

When Channel 9 is between the values of 52-102, Channel 10 is in Color Macros Mode, and Channel 8 will control strobing.

When Channel 9 is between the values of 103-153, Channel 10 is in Color Change Mode, and Channel 11 will control the color change speed.

When Channel 9 is between the values of 154-204, Channel 10 is in Color Fade Mode, and Channel 11 will control the color fade speed.

When Channel 9 is between the values of 205-255, Channel 10 is in Sound Active Mode, and Channel 11 will control the sound sensitivity.

Element Hex		12 Channel Mode
Channel	Value	Function
10		COLOR MACROS/PROGRAMS/ SOUND ACTIVITY
		COLOR FADE PROGRAMS
	0 - 15	COLOR FADE 1
	16 - 31	COLOR FADE 2
	32 - 47	COLOR FADE 3
	48 - 63	COLOR FADE 4
	64 - 79	COLOR FADE 5
	80 - 95	COLOR FADE 6
	96 - 111	COLOR FADE 7
	112 - 127	COLOR FADE 8
	128 - 143	COLOR FADE 9
	144 - 159	COLOR FADE 10
	160 - 175	COLOR FADE 11
	176 - 191	COLOR FADE 12
	192 - 207	COLOR FADE 13
	208 - 223	COLOR FADE 14
	224 - 239	COLOR FADE 15
	240 - 255	COLOR FADE 16

SOUND ACTIVE PROGRAMS AND VALUES ARE LOCATED ON THE NEXT PAGE.

Element Hex		12 Channel Mode
Channel	Value	Function
10		COLOR MACROS/PROGRAMS/ SOUND ACTIVITY
		SOUND ACTIVE PROGRAMS
	0 - 15	SOUND ACTIVE MODE 1
	16 - 31	SOUND ACTIVE MODE 2
	32 - 47	SOUND ACTIVE MODE 3
	48 - 63	SOUND ACTIVE MODE 4
	64 - 79	SOUND ACTIVE MODE 5
	80 - 95	SOUND ACTIVE MODE 6
	96 - 111	SOUND ACTIVE MODE 7
	112 - 127	SOUND ACTIVE MODE 8
	128 - 143	SOUND ACTIVE MODE 9
	144 - 159	SOUND ACTIVE MODE 10
	160 - 175	SOUND ACTIVE MODE 11
	176 - 191	SOUND ACTIVE MODE 12
	192 - 207	SOUND ACTIVE MODE 13
	208 - 223	SOUND ACTIVE MODE 14
	224 - 239	SOUND ACTIVE MODE 15
	240 - 255	SOUND ACTIVE MODE 16
11	0 - 255	PROGRAM SPEED/SOUND SENSE
12		DIMMER CURVES
	0 - 20	STANDARD
	21 - 40	STAGE
	41 - 60	TV
	61 - 80	ARCHITECTURAL
	81 - 100	THEATRE
	101 - 255	DEFAULT TO UNIT SETTING

Element Hex		Color Macro Chart
0-3=Off	64-67=B+W	192-195=R+B+W+A
4-7=Red	68-71=B+A	196-199=R+B+W+UV
8-11=Green	72-75=B+UV	200-203=R+B+A+UV
12-15=Blue	76-79=W+A	204-207=R+W+A+UV
16-19=White	80-83=W+UV	208-211=G+B+W+A
20-23=Amber	84-87=A+UV	212-215=G+B+W+UV
24-27=UV	88-91=R+G+B	216-219=G+B+A+UV
28-31=R+G	92-95=R+G+W	220-223=G+W+A+UV
32-35=R+B	96-99=R+G+A	224-227=B+W+A+UV
36-39=R+W	100-103=R+G+UV	228-231=R+G+B+W+A
40-43=R+A	104-107=R+B+W	232-235=R+G+B+W+UV
44-47=R+UV	108-111=R+B+A	236-239=R+G+B+A+UV
48-51=G+B	112-115=R+B+UV	240-243=R+G+W+A+UV
52-55=G+W	116-119=R+W+A	244-247=R+B+W+A=UV
56-59=G+A	120-123=R+W+UV	248-251=G+B+W+A+UV
60-63=G+UV	124-127=R+A+UV	252-255=R+G+B+W+A+UV

**LCD Display Lock:**

The display will lock after 30 seconds. Press and hold the MODE button for at least 10 seconds to unlock the display.

**Operating Power:**

There are two ways to supply power to this unit; battery power or AC power. **Note: You need to activate the LOAD function regardless of how you supply power.**

• **AC Power** - To run the unit using AC power, plug the unit into a power source, and activate the Load setting. When using AC power make sure the Battery Switch is in the OFF position.

• **Battery Power** - To run the unit using Battery power, switch the battery switch located on the bottom of the fixture into the “On” position, and activate the Load setting.

**Load Setting**

**You need to activate this function regardless of Battery power or AC power. This function activates the LED PCB output.**

1. To activate Load, press the MODE button until the battery charge is displayed.
2. Press the SET UP button so that “Lo:XX” is displayed. “XX” represents either “oN” or “oF” (Off).
3. Press the UP or DOWN buttons so that “oN” is displayed.

**Energy Saving Mode**

This will decrease the LED’s brightness gradually when the battery life is less than 80%, this will extend the battery life.

1. To activate energy saving mode, press the MODE button until the battery charge is displayed.
2. Press the SET UP button so that “bS:XX” is displayed. “XX” represents either “ON” or “OFF”.
3. Press the UP or DOWN button so that “ON” is displayed. If “ON” is displayed, the fixture is already in energy saving mode.

**LED Display On/Off:**

To set the LED display light to turn off after 30 seconds, press the MODE button until “dXX” is displayed. “XX” represents either ON or OFF. Press the UP or DOWN buttons so that OFF is displayed. Now the display light will turn off after 30s. Press any button to turn the display on again.

**Operating Modes:**

The Element Hex has five operating modes:

- RGBWA+UV Dimmer Mode - Choose one of the six colors to remain static or adjust the intensity of each color to make your desired color.
- Sound Active mode - The unit will react to sound, chasing through the built in programs. There are 16 sound active modes.
- Auto Run Mode - In Auto Run mode, you can choose 1 of 16 color change modes, 1 of 16 color fade modes, or a combo color change & fade mode.
- Static Color Mode - There are 63 colors to choose from.
- DMX control mode - This function will allow you to control each individual fixtures traits with a standard DMX 512 controller.

**Sound Active Mode:**

1. Plug the fixture in and press the MODE button until “SoXX” is displayed. “XX” represents the current sound active mode (1-16).
2. Use the UP or DOWN buttons to find your desired sound active mode.
3. Press the SET UP button to enter sound sensitivity adjustment. “SJ-X” will be displayed. Use the UP or DOWN buttons to adjust the sensitivity. “SJ-1” is the lowest sensitivity, “SJ-8” is the highest. “SJ-0” turns the sound sensitivity off.



**RGBWA & UV Dimmer Mode:**

1. Plug the fixture in and press the MODE button “r: XXX” is displayed. You now are in Red dimming mode. Press the UP and DOWN buttons to adjust intensity. After you have finished adjusting the intensity, or if you would like to skip to the next color, press the SET UP button.
2. When “G: XXX” is displayed you are in Green dimming mode. Press the UP and DOWN buttons to adjust intensity.
3. When “b: XXX” is displayed you are in Blue dimming mode. Press the UP and DOWN buttons to adjust intensity.
4. When “U: XXX” is displayed you are in White dimming mode. Press the UP and DOWN buttons to adjust intensity.
5. When “A: XXX” (Amber) is displayed you are in Amber dimming mode. Press the UP and DOWN buttons to adjust intensity.
6. When “u: XXX” is displayed you are in UV dimming mode. Press the UP and DOWN buttons to adjust intensity.
7. After you have adjusted the colors to make your desired color you can then activate strobing by pressing the SET UP button to enter the strobe mode.
8. “FS: XX” will be displayed, this is strobe mode. The strobe can be adjusted between “00” (flash off) to “15” (fastest flash).

**Static Color Mode:**

1. Plug the fixture in and press the MODE button until “CLXX” is displayed.
2. There are 63 colors to choose from. Select your desired color by pressing the UP and DOWN buttons. After you have selected your desired color you can activate strobing by pressing the SET UP button to enter the Flash (strobe) mode.
3. “FS.XX” will be displayed, this is Flash mode. The Flash can be adjusted between “FS.00” (flash off) to “FS.15” (fastest flash).

**Auto Run Mode:**

There are 3 types of Auto Run Modes to choose from; Color Fade, Color Change, and both modes running together. The running speed is adjustable in all 3 modes.

1. Plug the fixture in and press the MODE button until either “AFXX”, “AJXX”, or “A-JF” is displayed.
  - AFXX = Color Fade mode, there are 16 Color Fade modes to choose from. Use the UP or DOWN buttons to scroll through the different Auto Fade modes.
  - AJXX = Color Change mode, there are 16 Color Change modes to choose from. Use the UP or DOWN buttons to scroll through the different Auto Change modes.
  - A-JF = Both Color Fade and Color Change modes running.
2. After you have chosen your desired running mode press the SET UP button until “SP.XX” is displayed. When this is displayed you can adjust the running speed of your desired program. Use the UP or DOWN button to adjust the speed between “SP.01” (slowest) and “SP.16” (fastest). Once you have set your desired running speed, press the SET UP button to return to your desired Auto Run Mode.

**DMX Mode:**

Operating through a DMX controller gives the user the freedom to create their own programs tailored to their own individual needs. This function also allows you to use your fixtures as spot lights. The Element Hex has 5 DMX modes: 6 channel mode, 7 channel mode, 8 channel mode, 11 channel mode, and 12 channel mode. See page's 13-22 for each mode's DMX traits.

1. This function will allow you to control each individual fixture's traits with a standard DMX 512 controller.
2. To run your fixture in DMX mode press the MODE button until "d.XXX" is displayed. "XXX" represents the current displayed DMX address. Use the UP or DOWN buttons to select your desired DMX address, then press the SETUP button to select your DMX Channel mode.
3. Use the UP or DOWN buttons to scroll through the DMX Channel modes. The Channel modes are listed below:
  - To run the 6 Channel Mode, press the MODE button until "Ch06" is displayed. This is the 6 Channel DMX Mode.
  - To run the 7 Channel Mode, press the MODE button until "Ch07" is displayed. This is the 7 Channel DMX Mode.
  - To run the 8 Channel Mode, press the MODE button until "Ch08" is displayed. This is the 8 Channel DMX Mode.
  - To run the 11 Channel Mode, press the MODE button until "Ch011" is displayed. This is the 11 Channel DMX Mode.
  - To run the 12 Channel Mode, press the MODE button until "Ch012" is displayed. This is the 12 Channel DMX Mode.
4. Please see pages 13-22 for DMX values and traits.
5. After you have chosen your desired DMX Channel mode plug in the fixture via the XLR connections to any standard DMX controller.

**DMX State:**

This mode can be used as a precaution mode, that in case the DMX signal is lost, the operating mode chosen in the setup is the running mode the fixture will go into when the DMX signal is lost. You can also set this as the operating mode you would like the unit to return to when power is applied.

1. Plug the fixture in and press the MODE button until "d.XXX" is displayed. "XXX" represents the current displayed DMX address.
2. Press the SET UP button so that "nodn" is displayed. Use the UP and DOWN buttons to scroll through the DMX states.
  - "bLAC" (Blackout) - If the DMX signal is lost or interrupted, the unit will automatically go into stand by mode.
  - "LAsT" (Last State) - If the DMX signal is lost or interrupted, the fixture will stay in the last DMX set up. If power is applied and this mode is set, the unit will automatically go into the last DMX set up.
  - "ProG" (Auto Run) - If the DMX signal is lost or interrupted, the unit will automatically go into Auto Run mode.
3. After you have found your desired setting, press SET UP to exit.

**Dimmer Curve:**

This is used to set the dimming curve used with DMX mode. See page 35 for the dimming curves chart.

1. Plug the fixture in and press the MODE button until "d.XXX" is displayed. "XXX" represents the current displayed DMX address.
2. Press the SET UP button until "dr-X" is displayed. "X" represents the displayed dimmer curve (0-4).
  - 0 - Standard
  - 1 - Stage
  - 2 - TV
  - 3 - Architectural
  - 4 - Theatre
3. Press the UP or DOWN buttons to scroll through and select your desired dimming curve.

**WiFly On/Off and Wireless Addressing:**

This function is used to activate the WiFly control and set the WiFly address.

**NOTE: The address must match the address that is set to WiFly Transceiver or WiFly controller.**

1. Plug the fixture in and press the MODE button until “rCXX” is displayed. You are in wireless set up mode.
2. Press the UP or DOWN buttons to turn the Wireless “On” or “Off”.
3. Press the SET UP button to enter the Wireless address menu. Use the UP or DOWN buttons to select your desired Wireless address.

**Activate IR Sensor:**

This function is used to activate and deactivate the IR sensor. When this function is activated you can control the fixture using the UC IR or Airstream IR App. Please see page 32 for controls and functions.

1. Plug the fixture in and press the MODE button until “dXX” is displayed. “XX” represents either “on” or “oFF”.
2. Press the SET UP button until “lrXX” is displayed. “XX” represents either “on” or “oF”.
3. Press the UP or DOWN buttons to either activate the remote function (On) or deactivate it (Off).

**Slave Setting:**

1. Plug the fixture in and press the MODE button until “SLAv” is displayed. The unit now designate a “Slave” unit in a Master-Slave set up.

**Default Running Mode:**

This is a default running mode. When this mode is activated all modes will return to their default settings.

1. Plug the fixture in and press the MODE button until “dXX” is displayed. “XX” represents either “on” or “oFF”.
2. Press the SET UP button until “dEFA” is displayed.
3. Press the UP and DOWN buttons simultaneously. Press the MODE button to exit.

**Master-Slave Configuration:**

This function will allow you to link units together to run in a Master-Slave set up. In a Master-Slave set up one unit will act as the controlling unit and the others will react to the controlling units built-in programs. Any unit can act as a Master or as a Slave however, only one unit can be programmed to act as the “Master.”

**Master-Slave Connections and Settings:**

1. Daisy chain your units via the XLR connector on the rear of the unit. Use standard XLR data cables to link your units together. Remember that the Male XLR connector is the input and the Female XLR connector is the output. The first unit in the chain (master) will use the female XLR connector only. The last unit in the chain will use the male XLR connector only.
2. Set the “Master” unit to your desired operating mode and then connect the “Slave” unit or units.
3. For the “Slave” unit(s) press the MODE button until “SLAV” is displayed. The “Slave” unit(s) will now follow the “Master” unit.

## Element QA

## WiFly Set Up

This unit can only be controlled using WiFly. Your DMX controller must be connected to a ADJ WiFly Transceiver to use this function. You are able to communicate up to 2500 feet/760 meters (open line of sight).

1. Follow the instructions on page 30 to set the WiFly address and to activate WiFly. The address must match the address set on the WiFly Transceiver.
2. After you have set the WiFly address, follow the DMX instructions on page 28 to select your desired DMX Channel mode and set your DMX address.
3. Apply power to the ADJ WiFly Transceiver. The fixture must be set up first before you apply power to WiFly Transceiver.
4. If everything is set up properly and the fixture is receiving a Wireless signal, you should now be able to control it with a DMX controller.

## Element QA

## WiFly Master-Slave Set Up

### **Master-Slave Configuration:**

This function will allow you to link units together to run in a Master-Slave setup. In a Master-Slave set up one unit will act as the controlling unit and the others will react to the controlling units built-in programs. Any unit can act as a Master or as a Slave however, only one unit can be programmed to act as the "Master."

1. Follow the instructions on page 30 to set the WiFly address and to activate WiFly. The addresses on each fixture must be the same.
2. After you have set the WiFly address, select your "Master" unit and set your desired operating mode.
3. For the "Slave" unit(s), put the unit in Slave mode. See page 31 Master-Slave configuration to set the unit as a Slave.
4. If everything is set up correctly, the "Slave" units will start following the "Master" unit.

## Element Hex

## UC IR & Airstream App Control

The **UC IR (sold separately)** infrared remote gives you control of various functions (See below). To control the fixture you must aim the remote at the front of the fixture and be no more than 30 feet away. To use the ADJ UC IR you must first activate the fixtures infrared sensor, to activate the sensor please see the instructions on page 30.

The **Airstream IR (sold separately)** remote transmitter plugs into the headphone jack of your iOS phone or tablet. To control your IR fixture you must raise the volume to the maximum on your iOS phone or tablet and aim the transmitter at the fixture sensor and be no more than 15 feet away. After you have purchased the Airstream IR transmitters, the app is a free download from the app store for your iOS phone or tablet. The app comes with 3 pages of control depending on the fixture you are using. Please see below for IR functions including the corresponding app page.

### **Works with App page 1.**

**STAND BY** - Pressing this button will blackout the fixture. Press the button again to return to the initial state.

**FULL ON** - Press this button to fully light up the unit.

**FADE/GOBO** - This button activates color change mode, color fade mode and color change/fade mode. Each press of the button will cycle through the modes.

**"DIMMER +" and "DIMMER -"** - Use these buttons to adjust the output intensity in color mode.

**STROBE** - Press this button to activate strobing. Use buttons 1-4 to adjust the strobe speed. "1" being the slowest, "4" being the fastest.

**COLOR** - Press this button to activate color mode. Use buttons 1-9 to find your desired color.

**1-9** - Use buttons 1-9 to select your desired color in static color mode or your desired color fade mode and color change mode. In color fade mode and color change mode, press the Show 0 button to activate show 10. Press the 1 button twice to activate show 11.

**SOUND ON & OFF** - Use the buttons to activate and deactivate sound active mode.

**SHOW 0** - See buttons 1-9.

**Battery Status:**

This function is used to check the life status of the battery. Plug the fixture in and press the MODE button until “bXXX” is displayed. “XXX” represents the current battery life. The number that is displayed is the remaining battery life. If “b---” is displayed, it means that you are running the unit on AC power. **Please do not let the battery fully die, this severely shortens the life of the battery.**

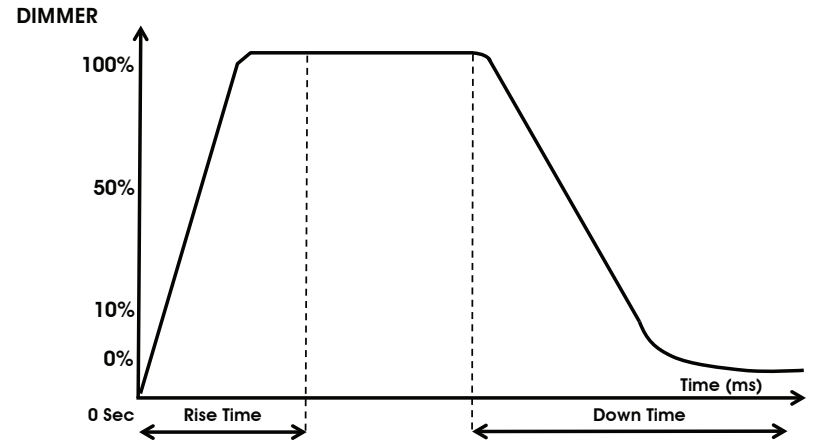
**NOTE:** When the battery life is below 30% the battery percentage will flash. At 15% power the fixture will shut off.

**NOTE:** When using battery power, after 20 seconds of inactivity, the display will revert back to the battery life display.

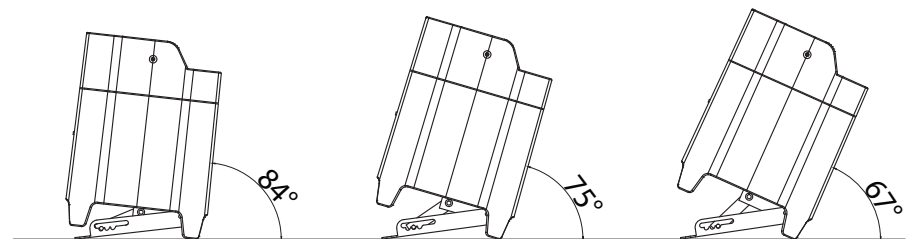
**Battery Recharge:** To recharge the battery, plug the supplied AC cord into the AC input on the side of the unit and plug the other end into a matching power supply. It takes about 5 hours to reach full charge (with the power off). **The display will STOP flashing when the unit reaches 100% charge.**

**Note:** When unplugging the unit from charging and then applying power via battery, there will be a minimal charge drop.

For a faster recharge, turn the Load setting to “Off” and turn the battery “On”. See **LOAD SETTING** on page 24.



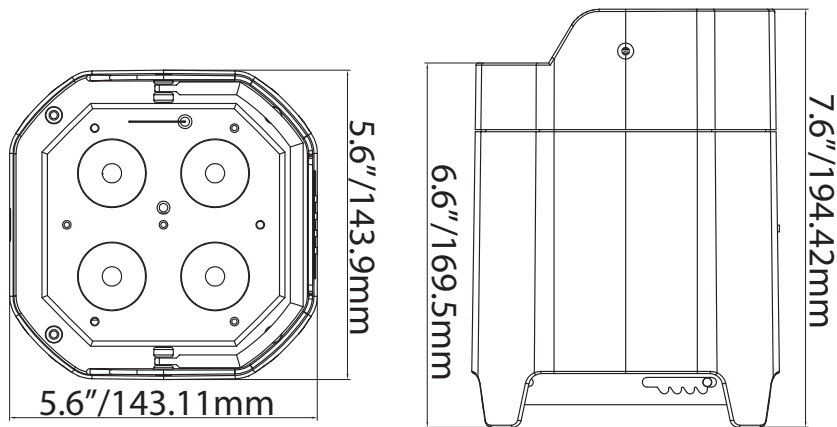
Dimming Curve Ramp Effect	0 sec Fade Time		1 sec Fade Time	
	Rise Time (ms)	Down Time (ms)	Rise Time (ms)	Down Time (ms)
Standard (default)	0	0	0	0
Stage	780	1100	1540	1660
TV	1180	1520	1860	1940
Architectural	1380	1730	2040	2120
Theatre	1580	1940	2230	2280





## Element Hex

## Dimensional Drawing



## Element Hex

## Multiple Unit Power Linking

***With this feature you can connect the fixtures to one another using the IEC input and output sockets. The quantity that can be connected is 15 fixtures maximum @ 120V. After 15 fixtures you will need to use a new power outlet.***

***NOTE: USE CAUTION WHEN POWER LINKING OTHER FIXTURES TO THE ELEMENT HEX AS THE POWER CONSUMPTION OF OTHER LIGHTING FIXTURES WILL VARY!***

## Element Hex

## Fuse Replacement

Disconnect the unit from its power source. Remove the power cord from the unit. Once the cord has been removed, you will find that the fuse holder is located inside the power socket. Insert a flat-head screw driver into the power socket and gently pry out the fuse holder. Remove the bad fuse and replace with a new one. The fuse holder also has a holder for a spare fuse.

## Element Hex

## Trouble Shooting

Listed below are a few common problems the user may encounter, with solutions.

### ***Unit not responding to DMX:***

1. Check that the DMX cables are connected properly and are wired correctly (pin 3 is "hot"; on some other DMX devices pin 2 may be 'hot'). Also, check that all cables are connected to the right connectors; it does matter which way the inputs and outputs are connected.

### ***Unit does not respond to sound:***

1. Quiet or high pitched sounds will not activate the unit.
2. Make sure that Sound Active mode is activated.

## Element Hex

## Cleaning

Due to fog residue, smoke, and dust cleaning the internal and external optical lenses must be carried out periodically to optimize light output.

1. Use normal glass cleaner and a soft cloth to wipe down the outside casing.
2. Clean the external optics with glass cleaner and a soft cloth every 20 days.
3. Always be sure to dry all parts completely before plugging the unit back in.

Cleaning frequency depends on the environment in which the fixture operates (i.e. smoke, fog residue, dust, dew).

## Element Hex

## Warranty

### MANUFACTURER'S LIMITED WARRANTY

- A. ADJ Products, LLC hereby warrants, to the original purchaser, ADJ Products, LLC products to be free of manufacturing defects in material and workmanship for a prescribed period from the date of purchase (see specific warranty period on reverse). This warranty shall be valid only if the product is purchased within the United States of America, including possessions and territories. It is the owner's responsibility to establish the date and place of purchase by acceptable evidence, at the time service is sought.
- B. For warranty service you must obtain a Return Authorization number (RA#) before sending back the product—please contact ADJ Products, LLC Service Department at 800-322-6337. Send the product only to the ADJ Products, LLC factory. All shipping charges must be pre-paid. If the requested repairs or service (including parts replacement) are within the terms of this warranty, ADJ Products, LLC will pay return shipping charges only to a designated point within the United States. If the entire instrument is sent, it must be shipped in its original package. No accessories should be shipped with the product. If any accessories are shipped with the product, ADJ Products, LLC shall have no liability whatsoever for loss of or damage to any such accessories, nor for the safe return thereof.
- C. This warranty is void if the serial number has been altered or removed; if the product is modified in any manner which ADJ Products, LLC concludes, after inspection, affects the reliability of the product; if the product has been repaired or serviced by anyone other than the ADJ Products, LLC factory unless prior written authorization was issued to purchaser by ADJ Products, LLC; if the product is damaged because not properly maintained as set forth in the instruction manual.
- D. This is not a service contract, and this warranty does not include maintenance, cleaning or periodic check up. During the period specified above, ADJ Products, LLC will replace defective parts at its expense with new or refurbished parts, and will absorb all expenses for warranty service and repair labor by reason of defects in material or workmanship. The sole responsibility of ADJ Products, LLC under this warranty shall be limited to the repair of the product, or replacement thereof, including parts, at the sole discretion of ADJ Products, LLC. All products covered by this warranty were manufactured after August 15, 2012, and bear indentifying marks to that effect.
- E. ADJ Products, LLC reserves the right to make changes in design and/or improvements upon its products without any obligation to include these changes in any products theretofore manufactured.

No warranty, whether expressed or implied, is given or made with respect to any accessory supplied with products described above. Except to the extent prohibited by applicable law, all implied warranties made by ADJ Products, LLC in connection with this product, including warranties of merchantability or fitness, are limited in duration to the warranty period set forth above. And no warranties, whether expressed or implied, including warranties of merchantability or fitness, shall apply to this product after said period has expired. The consumer's and/or Dealer's sole remedy shall be such repair or replacement as is expressly provided above; and under no circumstances shall ADJ Products, LLC be liable for any loss or damage, direct or consequential, arising out of the use of, or inability to use, this product.

This warranty is the only written warranty applicable to ADJ Products, LLC Products and supersedes all prior warranties and written descriptions of warranty terms and conditions heretofore published.

### MANUFACTURER'S LIMITED WARRANTY PERIODS:

- **Lighting Products = 1-year (365 days) Limited Warranty** (Such as: Special Effect Lighting, Intelligent Lighting, UV lighting, Stobes, Fog Machines, Bubble Machines, Mirror Balls, Par Cans, Trussing, Lighting Stands etc. excluding LED and lamps)
- **Laser Products = 1 Year (365 Days) Limited Warranty** (excluding laser diodes which have a 6 month limited warranty)
- **L.E.D. Products = 2-year (730 days) Limited Warranty** (excluding motors, PCB boards, and power supplies, which have a 1-year (365 day Limited Warranty) batteries which have a 180 day limited warranty). Only the L.E.D.s carry a 2-year warranty (excluding StarTec Series which carries a 1 Year Limited Warranty) **Note: 2 Year Warranty only applies to purchases within the United States.**
- **ADJ DMX Controllers = 2 Year (730 Days) Limited Warranty** (excluding faders and tact switches)

## Element Hex

## Specifications

### Model: Element Hex

Voltage:	100V ~ 240V/50~60Hz
LEDs:	4 x 10W Hex LEDs (RGBWA+UV 6-in-1)
Beam Angle:	40 Degrees
Working Position:	Any safe working position
Fuse:	250V, 2A
Power Draw:	37W
Power Linking:	15 Fixtures Max. @ 120V
Max. Load:	7A
Max. Charge:	7A
Wavelength:	395~435nm
Fuse:	2 Amp
Weight:	5lbs./ 2.26Kgs.
Dimensions:	5.5" (L) x 5.5" (W) x 7.5" (H) 140 x 140 x 192mm
Colors:	RGBWA + UV Mixing
DMX Channels:	5 DMX Modes: 6 Channel Mode, 7 Channel Mode, 8 Channel Mode, 11 Channel Mode, & 12 Channel Mode
Battery Charge Time:	5 Hours (With Load Switch OFF & Power Switch ON)
Battery Life:	<b>BATTERY SAVING MODE OFF</b> 9 Hours (Full Charge Single Color) 2 Hours (Full On) <b>BATTERY SAVING MODE ON</b> 16 Hours (Full Charge Single Color) 8 Hours (Full On)
Battery Lifetime*:	Average Lifetime is 500 Charges
Battery Type:	Fixed Lithium Battery
Battery Energy:	73.26WH (Watt Hours)
Battery Weight:	1lbs. / 0.42kg
Battery Voltage:	11.1V
Battery Capacity:	6.6AH
Total Lithium Ion Cells:	9pcs
Battery Wrap Material:	PVC Sleeving + Highland Barley Paper
Warranty:	2 Year (730 days)

\*This depends on charging frequency

**Please Note:** Specifications and improvements in the design of this unit and this manual are subject to change without any prior written notice.

**Element Hex** **Optional Accessories**

**Element Hex** **Notes**

ORDER CODE	ITEM
EPC600	6-PACK SKB CASE

ADJ Products, LLC  
6122 S. Eastern Ave. Los Angeles, CA 90040 USA  
Tel: 323-582-2650 / Fax: 323-725-6100  
Web: [www.adj.com](http://www.adj.com) / E-mail: [info@americandj.com](mailto:info@americandj.com)

A.D.J. Supply Europe B.V.  
Junostraat 2  
6468 EW Kerkrade  
Netherlands

Follow Us On:



[facebook.com/americandj](https://facebook.com/americandj)  
[twitter.com/americandj](https://twitter.com/americandj)  
[youtube.com/adjlighting](https://youtube.com/adjlighting)

[service@adjgroup.eu](mailto:service@adjgroup.eu) / [www.adj.eu](http://www.adj.eu)  
Tel: +31 45 546 85 00 / Fax: +31 45 546 85 99