

# Owner's manual

DP-850

Congratulations on buying cherub practice pad with metronome. Please read this manual carefully to make sure you know how to use it correctly.

## NOTICE FOR SAFETY USE

### Overall

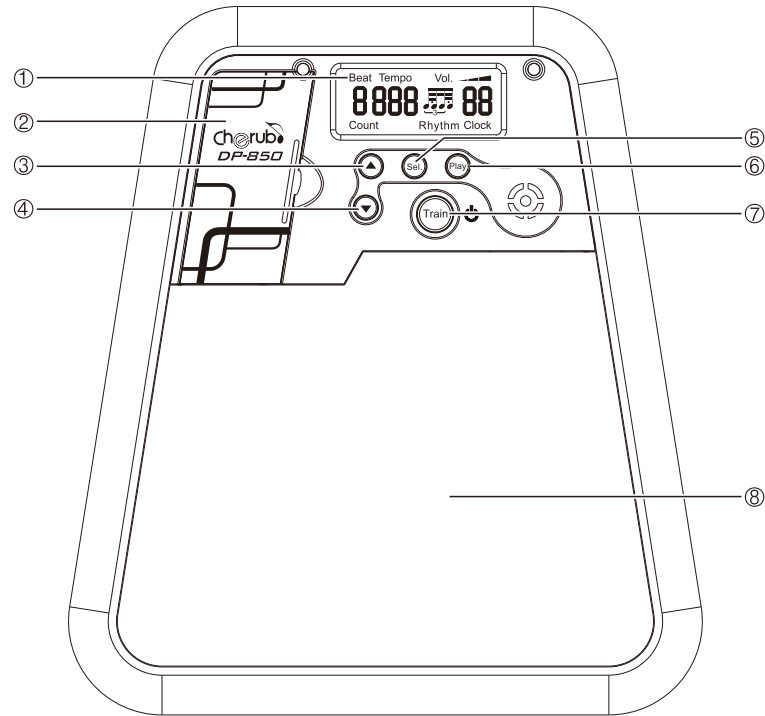
- Never use alcohol, petrol or other strong chemical detergent to wash the LCD or the body of the unit.
- Please do not crush or strike the body of the unit, otherwise its LCD can be broken or cause other malfunctions.
- Do not use in high temperature, high humidity or dust.

### Battery Use

- Please pay attention to the polarity of the battery when putting in new battery.
- Take out of the battery if the unit will not be used for a long time.
- Take the battery out and put it in again after 10 seconds when the unit does not work properly.
- Replace the battery if the LCD becomes dim.
- Please dispose of the old battery properly.

Appearance and function will be updated without notification.

## MAIN PARTS AND FUNCTIONS



- ① LCD display.....Displays beat, Rhythm, Tempo, Sound Volume
- ② Battery Compartment.....Holds 2 x AAA batteries
- ③ ▲.....Press to change parameter settings
- ④ ▼.....Press to change parameter settings
- ⑤ Sel.....Select Beat, Tempo, Styles of Rhythm
- ⑥ Play.....Start or stop metronome
- ⑦ Power/Train.....Turn on or off/ Switch Training modes
- ⑧ Rubber pad.....Striking area

## OPERATION GUIDE FOR METRONOME MODE

When the battery is initially put into the DP-850, all functions will be displayed on the LCD for one second and then it will enter "Metronome Mode".

Press Power key for about 2 seconds to turn on DP-850.

### 1 Metronome Mode



Press "Sel." to enter edit mode: Beat (0-6), Tempo (30 - 260 bpm), Rhythm. Press ▲ or ▼ to adjust parameters.

In edit mode, DP-850 will automatically turn back to metronome mode if there is no operation for 10 seconds.

After finishing parameter settings, press "Play" to start or stop metronome.

In play mode, press ▲ or ▼ to change the sound volume.

DP-850 will automatically shut off without any operation after 3 minutes.

### 2 Training Function

DP-850 has 4 different training modes. Press "Train" to switch between Beat Counting Mode, Mute Counting Mode, Gradual Up/Down Mode and Step Up /Down Mode.

#### Beat Counting Mode



Practice in Beats Counting Mode can tell you how fast a drummer can hit in a given time (single stroke roll).

Press "Train" to enter Beat Counting Mode.

Press ▲ or ▼ to choose counting duration, choose from 15 seconds, 30 seconds, 45 seconds, 60 seconds and 90 seconds.

It starts counting after you strike the pad. LCD will display the number of strokes.

Press "Play" to clear result.

#### T1: Mute Counting Mode



Mute Counting Mode is a timing exercise designed to develop and learn "internal" timing. In this mode, the metronome will play at the set volume level for the first four measures then play the second four measures at a muted volume. The four measure cycle of loud and muted counts will continue until you stop it.

Press "Train" choose T1 mode.

Press "Sel." to enter edit mode: Beat (0-6), Tempo (30 - 260 bpm), Rhythm, then press ▲ or ▼ to adjust parameters.

Press "Play" to start and stop metronome.

#### T2: Gradual Up/Down Mode



Practice in "Gradual Up/Down" mode is designed to increase stamina and endurance by gradually increasing and decreasing the tempo. The speed increases 1 BPM every two beats until the maximum metronome value is reached. Once you hit the maximum value, the speed decreases 1 BPM every two beats until you return to the original tempo. The process is then repeated. When "PATTERN" is selected, the speed changes 1 BPM every two measures.

Press "Train" to choose T2 mode.

Press "Sel." to enter the edit mode: Beat (0-6), Tempo (30 - 260 bpm), Rhythm, then press ▲ or ▼ to adjust parameters.

Press "Play" to start and stop metronome.

#### T3: Step Up/Down Mode



Step Up/Down mode is designed to increase playing endurance by slowly increasing and decreasing the speed of the metronome. In this mode, the metronome's tempo will increase by five beats per

minute (5 BPM) after every four measures until it reaches the metronome's maximum tempo. After the maximum tempo is achieved, the metronome's tempo will decrease by five beats per minute (5 BPM) after every four measures. This will continue until it reaches back to the metronome's starting tempo and then repeat the process.

Press "Train" to choose T3 mode.

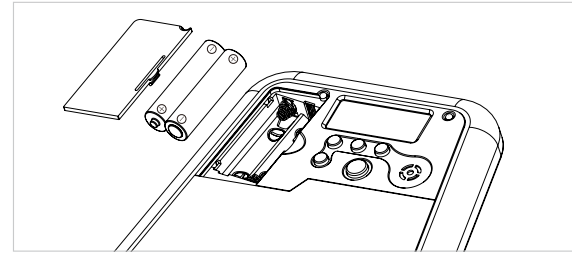
Press "Sel." to enter the edit mode: Beat (0-6), Tempo (30 - 260 bpm), Rhythm, then press ▲ or ▼ to adjust parameters.

Press "Play" to start and stop metronome.

Press "Power" for about 2 seconds to shut off DP-850.

## INSTALLING BATTERIES

When the LCD or back light becomes dim, please change the batteries promptly as the following image instructs.



**NOTE:** Pay attention to polarity when replacing batteries. Remove the batteries if the product will not be used for a long period.

## SPECIFICATIONS

- Rhythm: ♩ ♪ ♫ ♬ ♧ ♨
- Beat: 0, 1, 2, 3, 4, 5, 6
- Tempo Range: 30-260
- Sound Volume: MUTE/LOW/MIDDLE/HIGH
- Training function: Beat Counting Mode  
T1= Mute Counting Mode  
T2= Gradual Up/Down Mode  
T3= Step Up/Down Mode
- Power: 3V (2xAAA)
- Dimensions: 174(L)x155(W)x19(D)mm
- Weight: 390g

## PRECAUTIONS

- Environment:
  1. Do NOT use the DP-850 in high temperature, or high humidity, or subzero environments.
  2. Do NOT use the DP-850 in the direct sunlight.
- Please do NOT disassemble the DP-850 by yourself.
- Please keep this manual for future reference.

## ACCESSORIES

- Owner's manual
- 2 x AAA batteries
- Drumsticks

★Perchlorate Material-special Handling May Apply.

## THE FCC REGULATION WARNING (for U.S.A.)

This equipment has been tested and found to comply with the limits for a Class B digital device, pursuant to Part 15 of the FCC Rules. These limits are designed to provide reasonable protection against harmful interference in a residential installation. This equipment generates, uses, and can radiate radio frequency energy and, if not installed and used in accordance with the instructions, may cause harmful interference to radio communications. However, there is no guarantee that interference will not occur in a particular installation. If this equipment does cause harmful interference to radio or television reception, which can be determined by turning the equipment off and on, the user is encouraged to try to correct the interference by one or more of the following measures:

- Reorient or relocate the receiving antenna.
- Increase the separation between the equipment and receiver.
- Connect the equipment into an outlet on a circuit different from that to which the receiver is connected.
- Consult the dealer or an experienced radio/TV technician for help.

## CE mark for European Harmonized Standards

CE Mark which is attached to our company's products of Battery mains the product is in fully conformity with the harmonized standard(s) EN 61000-6-3:2007+A1:2011 & EN 61000-6-1:2007 Under the Council Directive 2004/108/ EC on Electromagnetic Compatibility.

祝贺您拥有cherub集哑鼓与节拍器一体的产品,在您首次使用本产品前,请花几分钟时间阅读一下本说明书,以便迅速掌握其使用方法。

注意事项

■ 主机使用须知

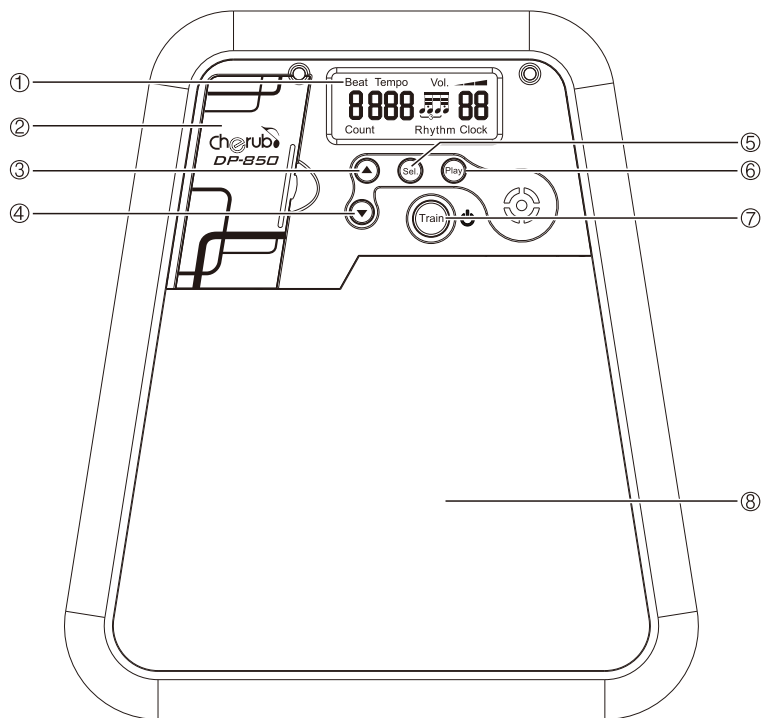
- 请勿用酒精、汽油及其他强烈化学清洁剂擦拭屏幕或机壳。
- 请勿用力挤压或敲击机壳,否则会导致屏幕破裂、机器无法操作等故障。
- 勿在高温、发热、潮湿、污浊之处使用或保管。

■ 电池使用须知

- 装入电池时请先确认电池放入方向。
- 长时间不使用机器时请将电池取出。
- 若出现异常显示现象请取出电池并等待10秒后重新装入。
- 显示混暗时请更换新电池。
- 废旧电池请勿当作普通垃圾随意丢弃。

■ 由于进行产品的改良,设计和规格会不事先通知而变更。

部件及功能



- ① 液晶显示界面-----显示 beat, 节奏类型, 速度, 音量。
- ② 电池盒-----装入2枚AAA (即7号) 电池。
- ③ 加按键-----调节值以增加的方式改变
- ④ 减按键-----调节值以减小的方式改变
- ⑤ 选择键-----可选择beat, 速度, 节奏类型进行调节
- ⑥ 启动键-----启动或停止节拍演示。
- ⑦ 电源\Train键-----打开或关闭节拍器。
- ⑧ 打击垫-----供敲击的区域。

操作说明

- 1、安装电池后, 节拍器全显示一秒后进入节拍模式。
- 2、节拍模式:



- (1)按"Sel."键选择参数: Beat(0-6)、Tempo(30-260bpm)、Rhythm, 使用▲或▼键调节参数。
- (2)若无按键操作, 10秒后将自动返回节拍演示模式; 如按"Play"键, 则进入节拍演示。
- (3)选择好节拍参数后, 按"Play"键启动节拍演示, 再按"Play"键停止节拍演示。
- (4)按▲或▼键可调节音量大小。
- (5)若无任何操作, 3分钟后将自动关机。

- 3、计数功能:



在节拍器状态下短按"Train"键进入计数状态。

- (1)按▲或▼键可以调整计数的时间, 分别为15S, 30S, 45S, 60S, 90S。
- (2)在您敲打的第一下开始, 计数时间开始倒计时, 直到为零, 此时你所敲打的数值便保留下来。
- (3)短按"Play"键可回到计数的初始状态时。
- (4)要返回节拍器状态时, 短按"Power"键即可。
- (5)在计数初始状态下或在计数结束后, 若无按键操作, 3分钟后将自动关机。

- 4、静音计时:



节拍器以设定的音量播放4个小节, 然后静音播放4个小节, 如此循环直至结束。

- (1)按下"Train"键, 选择T1模式。
- (2)参数调整同节拍器模式, 可以调整参数beat, tempo, rhythm, 音量等参数。
- (3)按"Play"键启动节拍, 再按"Play"键停止节拍。

- 5、渐高与渐低:



速度以每两个节拍提高1BPM, 直到达到最高时值。然后速度又以每两个节拍减少1BPM, 直到原来设定的速度, 如此循环直至结束。

- (1)按下"Train"键, 选择T2模式。
- (2)参数调整同节拍器模式, 可以调整参数beat, tempo, rhythm, 音量等参数。
- (3)按"Play"键启动节拍, 再按"Play"键停止节拍。

- 6、分步提高与降低:



速度以每四个小节提高5BPM, 直到达到最高时值。然后速度又以每四个小节渐低5BPM, 直到原来设定的速度, 如此循环直至结束。

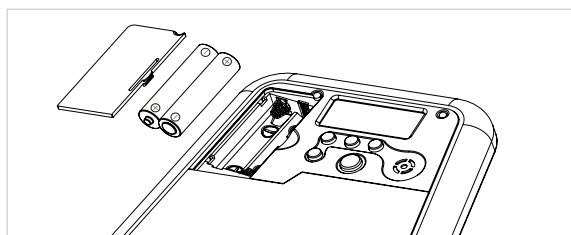
- (1)按下"Train"键, 选择T3模式。
- (2)参数调整同节拍器模式, 可以调整参数beat, tempo, rhythm, 音量等参数。
- (3)按"Play"键启动节拍, 再按"Play"键停止节拍。

- 7、练习完毕后, 按"Power"键2秒以上关机。

- 8、下次使用时, 请按"Power"键2秒以上开机。

更换电池

当显示屏变暗时请更换电池, 更换方法见下图:



- 注意:**
- 1.更换电池时, 请注意电池的极性。
  - 2.若要长期放置产品, 请把电池取出。

注意事项

●使用环境:

- 1、避免在高温、潮湿、零下等恶劣的环境中使用。
- 2、避免在强光下使用。

●请勿自行拆卸本机。

●请保存好本手册以便以后查阅。

技术规格

1、节拍器:

- a 节奏(Rhythm): ♩ ♪ ♫ ♬ ♭ ♯
- b 节拍(Beat): 分别为0、1、2、3、4、5、6
- c 速度(Tempo): 范围是30-260。
- d 声音(Volume): 小、中、大、静音。

2、训练模式: 计数功能、静音计时、渐高与渐低、分步提高与降低、

3、体积: 174x155x19mm

4、重量: 390g

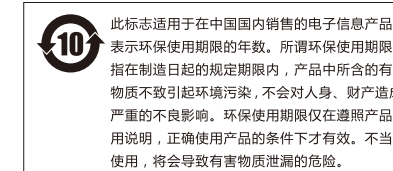
5、电源: 3V (2节7号干电池)

随机包装附件

- 1、说明书
- 2、7号干电池2粒 (外置)
- 3、鼓棒
- 4、合格证

有关产品中所含有害物质的说明

本资料就本公司产品中所含的特定有害物质及其安全性予以说明。本资料适用于2007年3月1日以后本公司所制造的产品。



产品中有毒有害物质或元素的名称及含量

| 部件名称           | 有害有毒物质或元素 |       |       |             |           |             |
|----------------|-----------|-------|-------|-------------|-----------|-------------|
|                | 铅(Pb)     | 汞(Hg) | 镉(Cd) | 六价铬(Cr(VI)) | 多溴联苯(PBB) | 多溴二苯醚(PBDE) |
| 外壳(壳体)         | ×         | ○     | ○     | ○           | ○         | ○           |
| 电子部件(印刷电路板等)   | ×         | ○     | ×     | ○           | ○         | ○           |
| 附件(电源线、交流适配器等) | ×         | ○     | ○     | ○           | ○         | ○           |

○: 表示该有害有毒物质在该部件所有均质材料中的含量均在SJ/T11363-2006 标准规范的限量要求以下。

×: 表示该有害有毒物质至少在该部件的某一均质材料中的含量超出 SJ/T11363-2006 标准规定的限量要求。因根据现有的技术水平, 还没有什么物质能够代替它。

售后服务地址:  
广东省珠海市高新区唐家湾镇科技九路10号  
珠海市蔚科技术开发有限公司 售后服务部  
邮编: 519085

质量承诺

亲爱的 **小伙伴** 用户, 在您使用本产品时, 请仔细阅读产品说明书, 当您有疑问和困难时, 请拨打售后服务热线:

**400-990-9866**

- 一周内出现质量问题可退货退款
- 一月内出现质量问题可调换
- 一年内出现质量问题可免费维修
- 终身享有咨询和维修服务

(请向销售商索取有效购买凭证并予以保存)

换修政策

一、包换政策:

1. 消费者自购机之日起1个月之内, 在正常使用情况下, 出现非人为的产品性能故障, 且产品外观及包装保持完好的可向所购机的经销商换机。
2. 消费者在换机时应出示由经销商开出的购机收据及保修卡, 否则经销商可以不予更换。

二、保修政策:

产品在购买之日起1年内, 可免费享有维修服务; 对于超过1年的产品及人为或不可抗力因素造成损坏的产品, 我司可提供有偿维修服务。

制造商: 珠海市蔚科技术开发有限公司  
制造商地址: 广东省珠海市高新区唐家湾镇科技九路10号  
邮箱: mail@cherubtechnology.com  
电话: 0756-3689866