

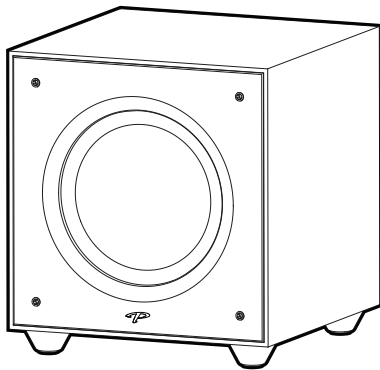


DEFIANCE

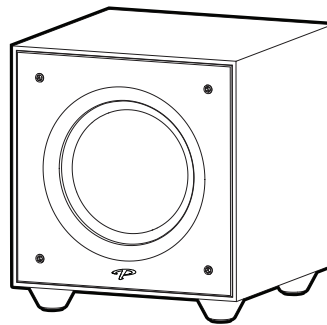
SUBWOOFER



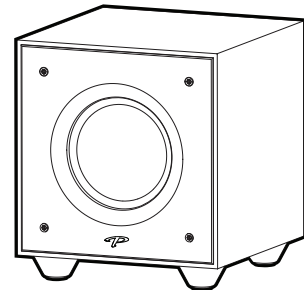
DEFIANCE V12



DEFIANCE V10




DEFIANCE V8



Owner's Manual

IMPORTANT SAFETY INSTRUCTIONS

1. Read these instructions.
2. Keep these instructions.
3. Heed all warnings.
4. Follow all instructions.
5. Do not use this apparatus near water.
6. Clean only with dry cloth.
7. Do not block any ventilation openings. Install in accordance with the manufacturer's instructions.
8. Do not install near any heat sources such as radiators, heat registers, stoves, or other apparatus (including amplifiers) that produce heat.
9. Do not defeat the safety purpose of the polarized or grounding-type plug. A polarized plug has two blades with one wider than the other. A grounding type plug has two blades and a third grounding prong. The wide blade or the third prong are provided for your safety. If the provided plug does not fit into your outlet, consult an electrician for replacement of the obsolete outlet.
10. Protect the power cord from being walked on or pinched, particularly at plugs, convenience receptacles, and the point where they exit from the apparatus.
11. Only use attachments/accessories specified by the manufacturer.
12.  Use only with the cart, stand, tripod, bracket, or table specified by the manufacturer, or sold with the apparatus. When a cart is used, use caution when moving the cart/apparatus combination to avoid injury from tip-over.
13. Unplug this apparatus during lightning storms or when unused for long periods of time.
14. Refer all servicing to qualified service personnel. Servicing is required when the apparatus has been damaged in any way, such as power supply cord or plug is damaged, liquid has been spilled or objects have fallen into the apparatus, the apparatus has been exposed to rain or moisture, does not operate normally, or has been dropped.
15. To reduce the risk of fire or electric shock, do not expose this apparatus to rain or moisture. The apparatus shall not be exposed to dripping or splashing and that objects filled with liquids, such as vases, shall not be placed on apparatus.
16. Where the mains plug or an appliance coupler is used as the disconnect device, the disconnect device shall remain readily operable.
17. Do not overload wall outlets or extension cords beyond their rated capacity as this can cause electric shock or fire.
18. No naked flame sources, such as lighted candles, should be placed on the apparatus.
19. Maintain a minimum of 20-30cm distance around the apparatus for sufficient ventilation.
20. The ventilation should not be impeded by covering the ventilation openings with items, such as newspapers, tablecloths, curtains, etc.
21. Apparatus may be used in tropical climates.

EU COMPLIANCE INFORMATION

Hereby, SVI Holdings (US) Inc.'s declares that this Defiance Suwoofer is in compliance with the essential requirements and other relevant provisions of the following EU Compliance Directive Information.

- Conforms to European Union Low Voltage Directive 2014/35/EU;
- European Union EMC Directive 2014/30/EU;
- **Defiance V10/V12 ONLY:** European Union Radio Equipment Directive (RED) 2014/53/EU.
- European Union Eco-Design Directive 2009/125/EC;
- European Union WEEE Directive 2012/19/EU;
- European Union Restriction of Hazardous Substances Recast (RoHS2) Directive 2011/65/EU;
- European Union Registration, Evaluation, Authorization and Restriction of Chemicals (REACH) Directive 2006/121/EC;
- You may obtain a free copy of the Declaration of Conformity by contacting your dealer, distributor, or SVI Holdings (US) Inc.'s worldwide headquarters. Contact information can be found here: www.paradigm.com.

INDUSTRY CANADA (IC) COMPLIANCE NOTICE

This device complies with Industry Canada licence-exempt RSS standard(s). Operation is subject to the following two conditions:

- (1) this device may not cause interference, and
- (2) this device must accept any interference, including interference that may cause undesired operation of the device.

Any changes or modifications not expressly approved by the party responsible for compliance could void the user's authority to operate the equipment.

Radiation Exposure Statement:

This equipment complies with IC radiation exposure limits set forth for an uncontrolled environment. End users must follow the specific operating instructions for satisfying RF exposure compliance. To maintain with IC RF exposure compliance requirements please follow operation instruction as documented in this manual.



Contains FCC ID: QOQBGM113 and IC: 5123A-BGM113

Frequency Range: 2402.0-2480.0 MHz

Maximum Transmit Power: 2.5 dBm

This device complies with part 15 of the FCC Rules. Operation is subject to the following two conditions:

- (1) This device may not cause harmful interference, and
- (2) this device must accept any interference received, including interference that may cause undesired operation.

Per FCC regulation 47 CFR 15.21: Changes or modifications not expressly approved by the party responsible for compliance could void the user's authority to operate the equipment.

NOTE: This equipment has been tested and found to comply with the limits for a Class B digital device, pursuant to part 15 of the FCC Rules. These limits are designed to provide reasonable protection against harmful interference in a residential installation. This

equipment generates uses and can radiate radio frequency energy and, if not installed and used in accordance with the instructions, may cause harmful interference to radio communications. However, there is no guarantee that interference will not occur in a particular installation. If this equipment does cause harmful interference to radio or television reception, which can be determined by turning the equipment off and on, the user is encouraged to try to correct the interference by one or more of the following measures:

- Reorient or relocate the receiving antenna.
- Increase the separation between the equipment and receiver.
- Connect the equipment into an outlet on a circuit different from that to which the receiver is connected.
- Consult the dealer or an experienced radio/TV technician for help.



In accordance with the European Union WEEE (Waste Electrical and Electronic Equipment) directive effective August 13, 2005, we would like to notify you that this product may contain regulated materials which upon disposal, according to the WEEE directive, require special reuse and recycling processing. For this reason Paradigm Electronics Inc. has arranged with our distributors in European Union member nations to collect and recycle this product at no cost to you.

To find your local distributor contact the dealer from whom you purchased this product, email support@paradigm.com or visit the distributor locator at www.paradigm.com.

Please note, only this product itself falls under the WEEE directive. When disposing of packaging and other related shipping materials we encourage you to recycle these items through the normal channels.





The exclamation point within an equilateral triangle is intended to alert the user to the presence of important operating and maintenance (servicing) instructions in the literature accompanying the appliance.



The lightning bolt flash with arrowhead symbol, within an equilateral triangle, is intended to alert the user to the presence of uninsulated “dangerous voltage” within the product’s enclosure that may be of sufficient magnitude to constitute a risk of electric shock.



WARNING! Do not use your subwoofer outside of the country of original sale — voltage requirements vary by country. Improper voltage can cause damage that will be potentially expensive to repair. The subwoofer is shipped to Paradigm authorized distributors with the correct power supply for use in the country of intended sale. A list of authorized distributors can be accessed at www.paradigm.com or by emailing support@paradigm.com.

Thank you!

Thank you for choosing a Paradigm® Defiance Subwoofer. You are about to hear the difference that Paradigm subwoofers make in your home theater system! They are the product of countless hours of comprehensive research and development and will reward you with truly exceptional sound for many years.

To ensure proper installation, please read this manual and follow all instructions. If you have further questions contact your Authorized Paradigm Dealer or visit the Q&A page on our website at www.paradigm.com.

PARADIGM ELECTRONICS RESERVES THE RIGHT TO CHANGE SPECIFICATIONS AND/OR FEATURES WITHOUT NOTICE AS DESIGN IMPROVEMENTS ARE INCORPORATED.

PARADIGM, ANTHEM, and ARC are registered trademarks of Paradigm Electronics Inc. Defiance Subwoofer is a trademark of Paradigm Electronics Inc. Copyright © Paradigm Electronics Inc. All rights reserved.

TABLE OF CONTENTS

Safety Warnings and Quick Installation	3
Your New Subwoofer	6
Subwoofer Placement	7
The Advantages of Using Two Subwoofers	8
Connecting Your Subwoofer	10
Wired Connection	10
Line Level Inputs (Left/Right)	11
Speaker Level Inputs (Left/Right)	12
Connecting The Defiance WT Wireless Transmitter (Sold Separately): Defiance V10/V12 ONLY	14
‘Pairing’ The Defiance WT Wireless System (Sold Separately): Defiance V10/V12 ONLY	16
Wireless Operation	16
Transmitter Operation	16
Controls & Connections: Defiance V10/V12	18
Controls & Connections: Defiance V8	21
Fine Tuning: Defiance V10/V12	24
Fine Tuning: Defiance V8	24
Setting Subwoofer Controls	25
(Crossover Set By Preamp/Receiver)	
Setting Subwoofer Controls (Local Crossover Method)	26
ARC® (Anthem Room Correction) (Sold Separately): Defiance V10/V12 ONLY	27
Limited Warranty	29

SAFETY WARNINGS AND QUICK INSTALLATION



- **Hazardous voltages exist inside—do not remove cover.**
- **Refer servicing to a qualified technician.**
- **To prevent fire or shock hazard, do not expose this module to moisture.**
- **Turn amplifier off and unplug subwoofer should any abnormal conditions occur.**
- **The power cord should not be installed, removed, or left detached from the speaker while the other end is connected to an AC power source.**
- **The main power switch near the AC inlet shall remain readily operable.**
- **Use only with a grounded electrical outlet.**
- **No candles or other sources of open flame should be placed on the speaker.**
- **No liquids either in glasses or vases should be placed on speaker.**
- **Speaker should not be exposed to dripping or splashing liquids.**
- **The terminals marked with the lightning bolt symbol should be connected by an instructed person or by way of ready made terminals.**
- **The power cord should remain readily operable should any abnormal conditions occur.**

We know you are eager to hear your new Paradigm subwoofer, so this section is provided to allow fast and easy set up. Once you have your subwoofer operational, please take the time to read, in depth, the rest of the information in the enclosed manual. It will give you perspective on how to attain the greatest possible performance from this most exacting woofer system.

If you should experience any difficulties in the setup or operation of your Paradigm subwoofer, please refer to the Room Acoustics, Placement or Operation sections of the enclosed owner's manual. Should you encounter a persistent problem that cannot be resolved, please contact your authorized Paradigm dealer. They will provide you with the appropriate technical analysis to alleviate the situation.

Unpacking

Remove your new subwoofer from its packaging. Please retain the original packaging materials for future use — replacement packaging may be expensive.

Placement

You may choose to begin by placing the subwoofer in a corner near the front of the room. If placed in a corner, align the subwoofer diagonally so both woofers are equidistant from the adjacent wall. Before deciding on a permanent corner placement, experiment with other positions. Locations away from corners often prove more effective in providing ideal low-frequency performance and blend with the main speakers. Please see the Placement section for details.

Signal Connection

Use the best cables you can. High quality cables, available from your specialty dealer, are recommended and will give you superior performance.

Attach your Preamp/Receiver outputs to the signal input connectors located on the subwoofer's rear panel. Please see the Controls and Connections section for details. If you plan to connect your subwoofer using Speaker Level (high level) inputs, refer to the Speaker Level Inputs section for details.

Power Connection (AC) (see warning)

Make sure the level knob is set at 0. Plug the subwoofer into a wall outlet. Review the AC Power Connection section of this manual for details.

SAFETY WARNINGS AND INSTALLATION IN BRIEF (*cont'd*)

Setting the Controls (Using LFE Input): Defiance V10 and V12

- Setting Control: Set the switch to 'Local'.
- Power Mode: Set the switch to 'Auto'.
- Level: Set at twelve o'clock (straight up).
- Use your receiver's bass management system to adjust subwoofer integration.

Setting the Controls (Using LFE Input): Defiance V8

- Power Mode: Set the switch to 'auto'.
- Level: Set at twelve o'clock (straight up).
- Use the Low Pass Filter and set to Bypass.

Setting the Controls (Using Left/Right Inputs): Defiance V10 and V12

- Setting Control: Set the switch to 'App'.
- Power Mode: Set the switch to 'Auto'.
- Download the Paradigm Sub Control app (from Google Play or the Apple App Store).
- Using the app, adjust the following settings:
 - Volume (level): Set at -14dB or twelve o'clock (straight up).
 - Phase: Start with 0°.
 - Low Pass Filter: Set lower than the low-end frequency response of your main speakers. If you are uncertain of your main speaker low-frequency response, start with 80Hz.

Setting the Controls (Using Left/Right Inputs): Defiance V8

- Power Mode: Set the switch to 'auto'.
- Level: Set at twelve o'clock (straight up).
- Use the Low Pass Filter and set to 80Hz.

YOUR NEW SUBWOOFER

Break In

Although Paradigm® Defiance subwoofers sound great “out of the carton,” they will sound even better once they are “broken in.” Allow them to play for several hours before you begin any critical listening.

NOTE: If your subwoofer has been transported or stored in the cold, let it warm to room temperature before use.

Cleaning

Paradigm Defiance Subwoofers have a durable premium finish. To clean, use a damp soft cloth. Do not use a strong or abrasive cleaner. Avoid getting any part of the subwoofer system wet. Do not place wet objects (drinking glasses, potted plants, etc.) on top of the subwoofer — if allowed to soak in, even a small amount of water may permanently damage the subwoofer enclosure.

Power Requirements

The ‘Watts’ (W) rating indicated on the rear panel is the maximum AC power your subwoofer will draw when producing its maximum power output. However, the actual wattage draw will vary with the bass content of the program material — more if there is a lot of deep bass, less when there is not as much bass. Although generally not required for typical music and movie program material, if the bass content of your program material is very loud and more continuous in nature, we recommend connecting subwoofers with higher wattage ratings (i.e. 1500 W) to dedicated AC circuits.

Room Acoustics

You are about to experience the astonishing bass performance of a state-of-the-art Paradigm Defiance subwoofer. These subwoofers incorporate highly advanced patented technology and set all new standards for deep bass extension, ultra-low distortion and sound power output and provide unprecedented bass articulation and slam. It is important to note that just as the amount of soft furnishings has a decided impact on mid and high frequencies, those below 150Hz are dramatically affected by the room itself — its size, shape, as well as by physical boundaries throughout the room. Experimenting with subwoofer placement and control adjustments is the best way to achieve optimal bass performance in any room. Keep in mind the following guideline when deciding on best subwoofer placement:

- Concrete floors and walls tend to aggravate low-frequency standing wave problems and are less preferred.
- Rooms where height, width and length are similar should be avoided as they can exhibit significant low-frequency standing wave problems. This may result in reduced clarity. If no other room is possible, experiment with subwoofer placement to minimize acoustic problems.

SUBWOOFER PLACEMENT



SAFETY PRECAUTION: Before proceeding with this section, be sure to read and follow all safety precaution notices at the beginning of this manual.

Bass is less and less directional as it goes down in frequency. For best sonic integration, locating your subwoofer between your front speakers or beside one of them and close to the back wall will usually provide the best bass performance. If this location is not possible your subwoofer may be placed anywhere in the room without affecting the stereo image of your front speakers or the soundstage of your multichannel speaker system.

Fig. 1a and **Fig. 1b** highlight how bass output is generally affected by room placement. When seated in a typical listening area of your room, placing the subwoofer inside the “shaded” areas will typically result in bass performance as follows:

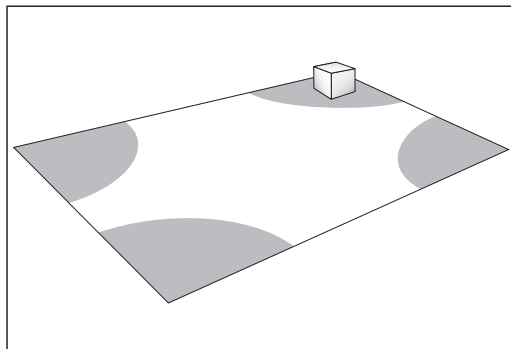


Fig. 1a: Corner placement provides the most bass, but sometimes at the expense of accuracy.

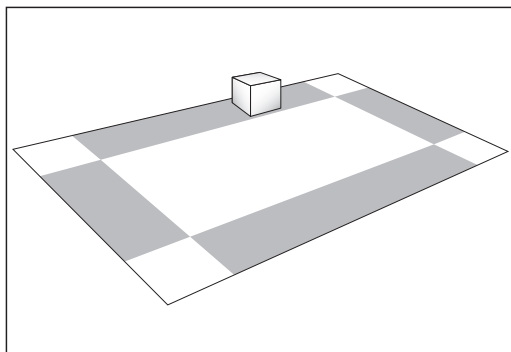


Fig. 1b: A subwoofer placed near a wall usually provides a good balance of quantity and accuracy.

THE ADVANTAGE OF USING TWO SUBWOOFERS

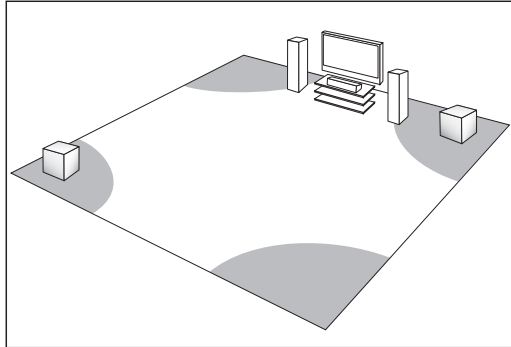


Fig. 2: When using two subwoofers, placing one in the front of the room and the other in the rear of the room usually provides the best bass performance and sonic integration. Consult the “Fine Tuning” section of this Owners Manual for more information on adjusting phase settings. If those locations are not possible, or if you want to experiment with placement options using two subwoofers, the following procedure will be a helpful guide to achieving better bass performance. Refer to “Subwoofer Connection” (below) then proceed as follows:

1. Temporarily turn all speakers off (either by turning your amplifier off or disconnecting them).
2. Connect and place one subwoofer in the central area of your listening room. Follow directions for connection, as outlined in the following section.
3. At a moderately loud level, play music or a video soundtrack with extended bass that is repetitive or continuous.
4. Walk around your room and note where the bass sounds louder and where it sounds quieter.
5. Place the first subwoofer within a louder bass area of your room; then place the second subwoofer within a quieter bass area of your room.
6. Connect both subwoofers and switch all speakers back on; and switch the amplifier on, or reconnect it.
7. Follow the “Fine Tuning” instructions to optimize your system’s overall bass performance.

See your Dealer for connection instructions using two subwoofers.

THE ADVANTAGES OF USING TWO SUBWOOFERS IN YOUR LISTENING ROOM (*cont'd*)

NOTE: The preceding is only a guideline. You may want to use a bass test disc and SPL meter to more accurately determine the bass characteristics of your listening room (see your Dealer for more information).

Remember that room acoustics vary, which means that it may take some experimenting with subwoofer placement to achieve the best subwoofer performance.



CONNECTING YOUR SUBWOOFER



SAFETY PRECAUTION: Before proceeding with this section, be sure to read and follow all safety precaution notices and warnings at the beginning of this manual.



Turn all components OFF before connecting the subwoofer.

NOTE: Speakers set to “Large” with your Preamp/Receiver will still be reproducing bass frequencies—be careful not to overdrive them!

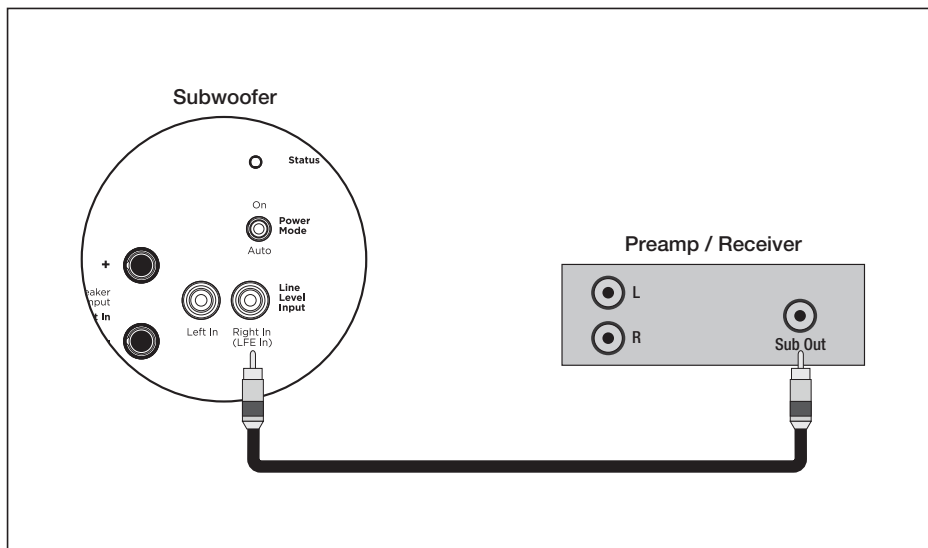
We recommend the use of high-quality cables and connectors. (See your Dealer for more information).

WIRED CONNECTION

Line Level Input (LFE) – Recommended

Line-Level Input From Sub/LFE Output – for use with a Preamp/ Receiver that has a Sub-Out/ LFE-Out jack.

Using a RCA to RCA interconnect cable (not included) connect the subwoofer as shown.



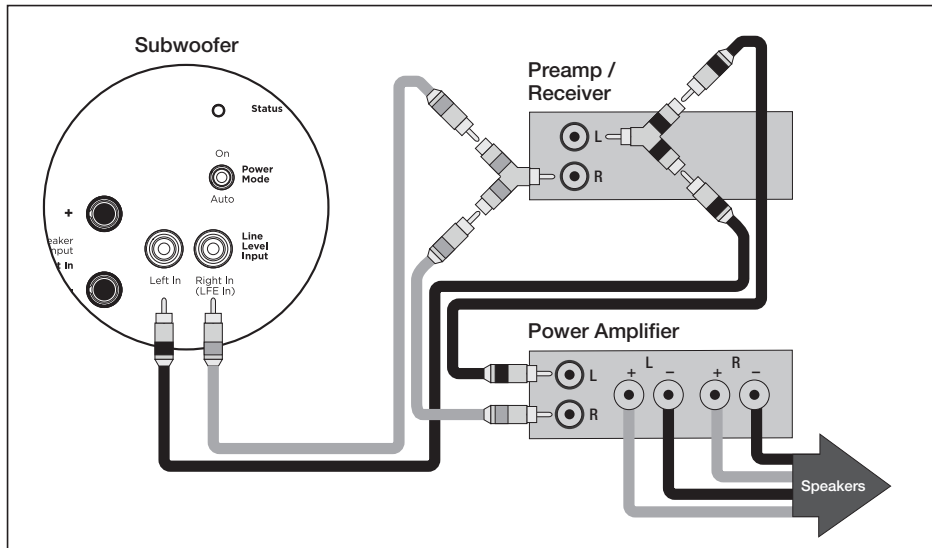
CONNECTING YOUR SUBWOOFER

(cont'd)

Line Level Inputs (Left/Right)

Line-Level Input From Pre-Out/Front-Out Without High-Pass Output from Sub — for use with a Preamp/Receiver and Power Amplifier with Pre-Out/Front-Out and Main-In jacks.

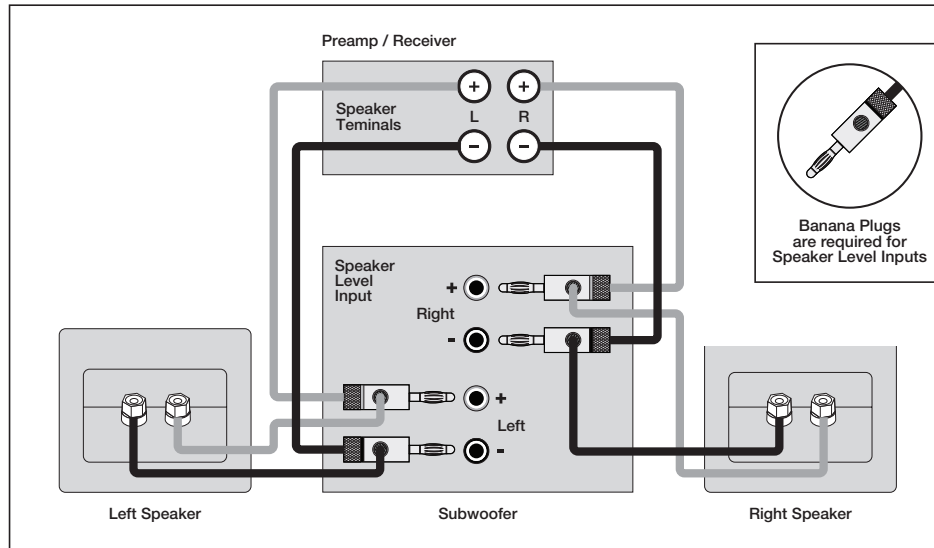
Using a RCA to RCA interconnect cables and 'Y' splitters (not included) connect the subwoofer as shown.



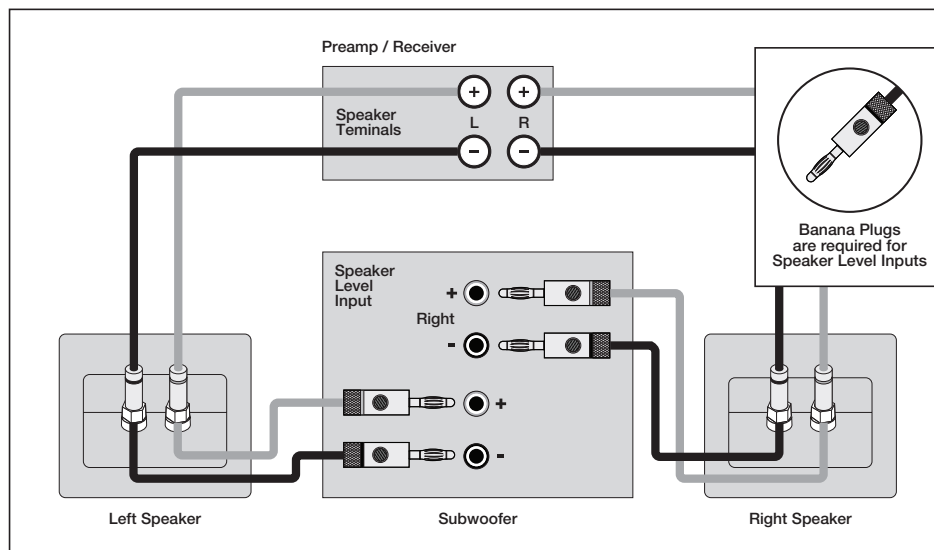
Speaker Level Inputs (Left/Right)

Speaker-Level Input – for use with a Preamp/Receiver that has no Sub-Out/LFE-Out or Pre-Out/Front-Out facilities.

Using high-quality speaker cables, connect your subwoofer as shown in either of the following connection options.



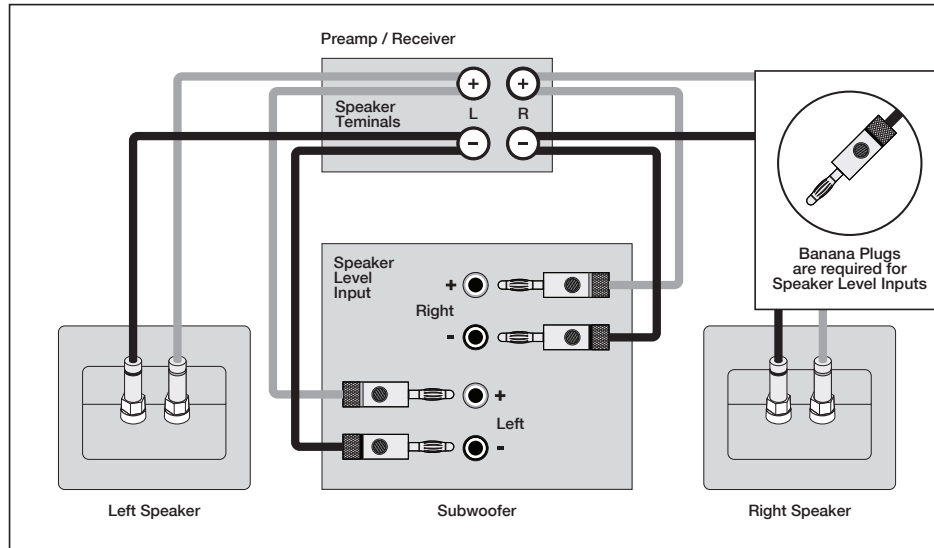
Option 1



Option 2

CONNECTING YOUR SUBWOOFER

(cont'd)



Option 3

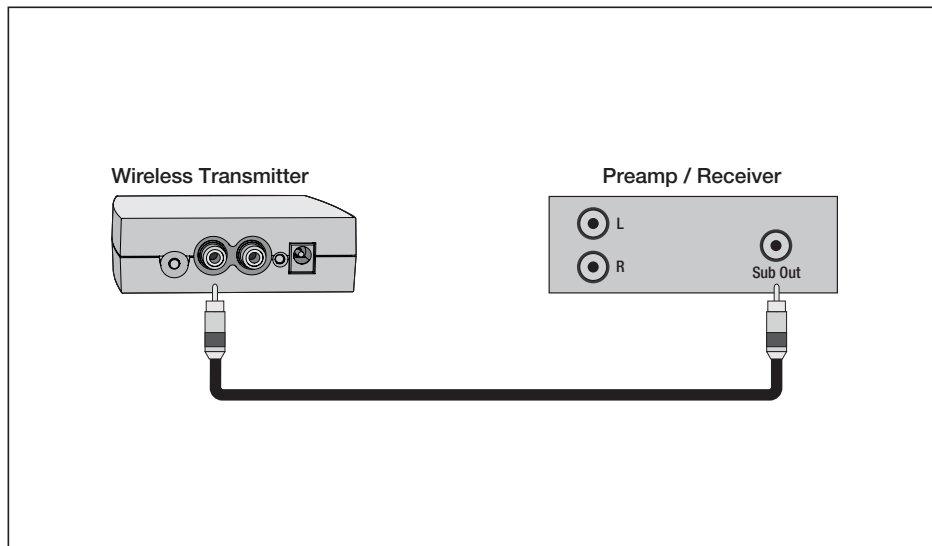
CONNECTING THE DEFIANCE WT WIRELESS TRANSMITTER (Sold Separately): Defiance V10/V12 ONLY



Before connecting a Defiance WT wireless transmitter to the Preamp/Receiver, ensure you have “paired” the subwoofer and transmitter.

Line-Level Input From Sub/LFE Output — *for use with a Preamp/ Receiver that has a Sub-Out/LFE-Out jack.*

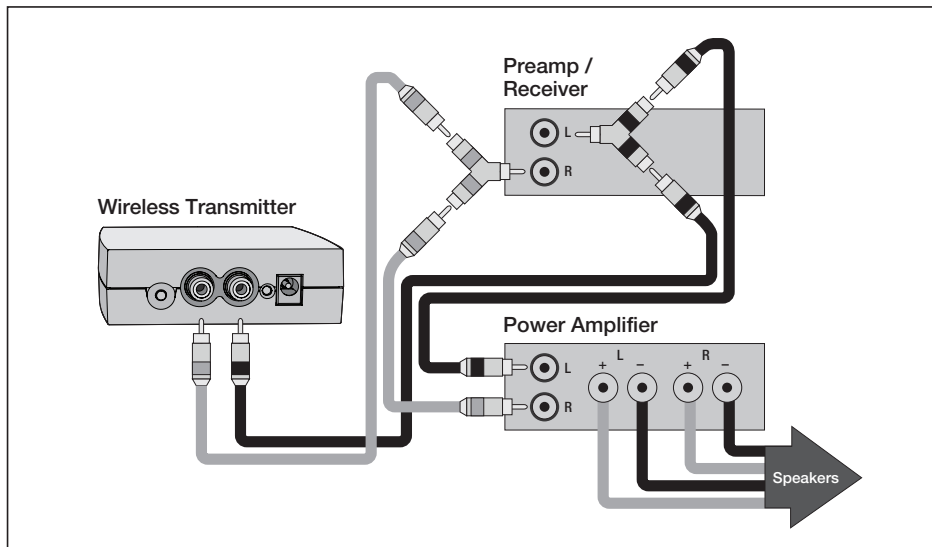
Using a RCA to RCA interconnect cable (not included) connect the Wireless Transmitter as shown.



CONNECTING THE DEFIANCE WT WIRELESS TRANSMITTER (Sold Separately): Defiance V10/V12 ONLY (cont'd)

Line-Level Input From Pre-Out/Front-Out Without High-Pass Output from Subwoofer — For use with a preamp/receiver and power amplifier with Pre-Out/Front-Out and Main-In jacks.

Using RCA to RCA interconnect cables and 'Y' splitters (not included) connect the wireless transmitter as shown.



'PAIRING' THE DEFIANCE WT WIRELESS SYSTEM (Sold Separately): Defiance V10/V12 ONLY

WIRELESS OPERATION



If you are not using a wireless option on your subwoofer (*Defiance V10 or V12 ONLY*) skip this section.

Subwoofer placement plays a major role in optimizing bass performance. However, placement can impose the inconvenience, not to mention the unsightliness, of running long lengths of cable through walls, along baseboards and under floors and carpets. Going wireless means you no longer have to worry about placement while cable clutter becomes a thing of the past. Actual system setup time is often drastically reduced with the wireless option.

TRANSMITTER OPERATION

In a typical listening room your new wireless transmitter has a maximum range of 50' (15 m). Obstructions such as walls, large pieces of furniture, room dividers, etc., may reduce the wireless transmitter's range. Do not place the subwoofer and wireless transmitter farther apart than the recommended range. We do not recommend installing your wireless transmitter in another room. The wireless transmitter's compact dimensions allow it to fit neatly into a standard audio/video rack. Your wireless transmitter features a 2.4 GHz uncompressed digital self sensing design that will automatically adjust for the best wireless connection while monitoring the integrity of the data stream.

An RCA audio cable is required (not included) to connect the wireless transmitter to your Preamp/Receiver — see your dealer for cable recommendations. One wireless transmitter is required for each wireless subwoofer in operation.

'PAIRING' THE DEFIANCE WT WIRELESS SYSTEM (Sold Separately): Defiance V10/V12 ONLY (cont'd)



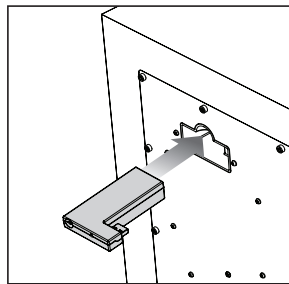
WARNING! To prevent signal dropouts or interference, keep the Wireless Transmitter well out of range of a microwave oven, mobile telephone or Bluetooth device operating on the same frequency.



IMPORTANT! The Wireless Transmitter and subwoofer must be no more than 50' (15 m) apart in the room.

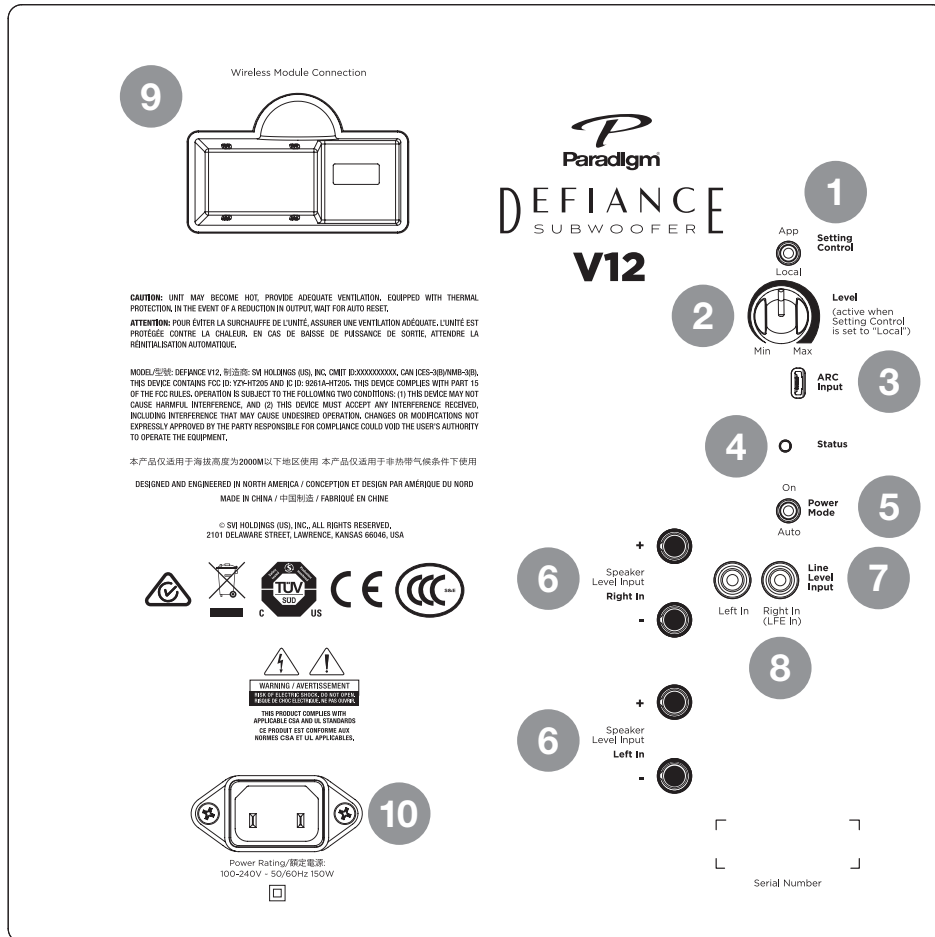
The Defiance WT Wireless System is shipped already paired. To re-sync the wireless system:

1. Verify the subwoofer is powered on and that the subwoofer's status light is red or white.
2. If the Wireless Transmitter's power cord is plugged in, unplug it for 10 seconds.
3. Plug in the Wireless Transmitter's power cord.
4. Plug the Wireless Receiver into the "Wireless Module Connection" input on the back of the subwoofer (see diagram below).



5. Wait until the status lights begin flashing on both the Wireless Receiver and Wireless Transmitter.
6. Push the Wireless Receiver's sync button for 5 seconds.
7. Push and hold the Wireless Transmitter's sync button until the Wireless Receiver's status light turns solid.

CONTROLS & CONNECTIONS: Defiance V10/V12



1. Setting Control

The **SETTING CONTROL** switch adjusts how the volume/level of the subwoofer will be controlled — App or Local.

App: With the switch set to “App”, all controls functions are controlled via the subwoofer control app.

Local: With the switch set to “Local”, the Level (volume) knob control is active.

2. Level

The Level adjusts the subwoofers output level to match that of your speakers.

NOTE: Level knob is only active when the Setting Control is set to Local.

CONTROLS & CONNECTIONS:

Defiance V10/V12 (cont'd)

3. ARC Input

The ARC USB connection is used to connect the subwoofer to PC/ Laptop when running ARC (Anthem Room Correction — sold separately).

NOTE: Not required when running ARC via Bluetooth.

4. Status Indicator

The subwoofers is equipped with a multi-colored LED, (located on the rear) which indicates the current status of the subwoofer

- No illumination — Subwoofer is not on.
- White — Subwoofer is on
- Red — Subwoofer is in 'Standby mode'
- Flashing — Subwoofer has detected an error code.

5. Power Mode

The Power Mode switch allows you to control how the subwoofer turns On & Off.

- Auto — When set to “Auto”, the subwoofer will turn on when an audio signal is detected.

NOTE: After several minutes of inactivity the subwoofer will enter Standby Mode.

- On — When set to “On”, the subwoofer will always be on.

NOTE: If the subwoofer enters Standby Mode during quiet or low level audio playback, this is likely due to a low audio output signal from the audio system. Increasing the system volume should resume normal subwoofer playback. Increasing the subwoofer output level on the Preamp/Receiver and decreasing the level on the subwoofer will solve this issue in the future for similar listening levels.

6. Speaker Level Inputs (Left/Right)

The Speaker Level Inputs allows standard speaker cable be used for the subwoofer connection. To use these connections the speaker cable should be terminated using banana style plugs.

NOTE: The setting of the Low Pass Filter control is applied to the signal received through these inputs.

7. Line Level Input (Left/Right)

The Line Level Input allows the Main-Out or Pre-Out be used on your Preamp/Receiver for the subwoofer connection.

NOTE: The setting of the Low Pass Filter control is applied to the signal received through these inputs.

8. Line Level Input (LFE)

The Line Level LFE Input allows the LFE Out/Sub-Out be used on your Preamp/Receiver for the subwoofer connection.

NOTE: The Low Pass Filter should be set to Bypass. LFE signals are controlled from your Preamp/Receiver. By default, the Low Pass Filter is set to Bypass

9. Defiance WT Wireless Module Input (Sold Separately)

The Defiance WT Wireless Module allows for wireless subwoofer integration.

NOTE: The Wireless Module must be paired with its matching transmitter – See the Paradigm Defiance WT Manual.

10. AC Power Connection

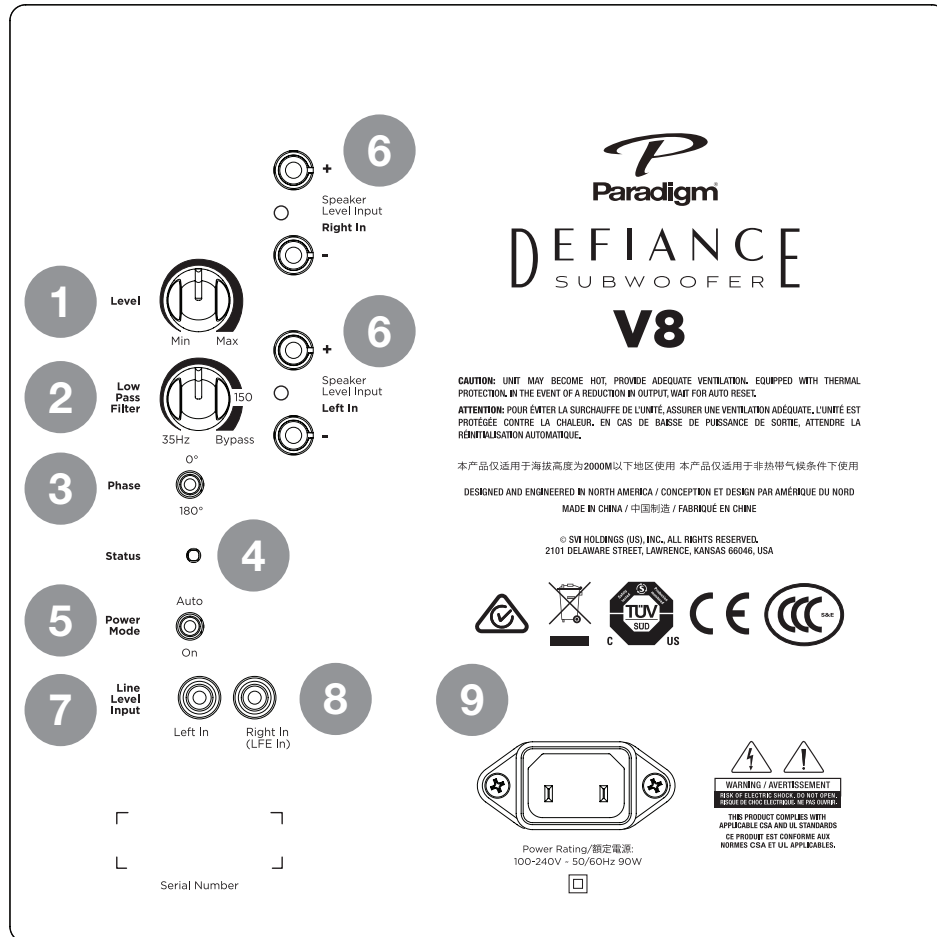


WARNING! The power cord should not be installed, removed, or left detached from the subwoofer while the other end is connected to an AC power source.

The IEC power cord should be firmly inserted into the AC power receptacle on the rear panel of the subwoofer. Then to any convenient AC wall outlet.

NOTE: The sub also integrates a signal sensing power supply that automatically switches off after sensing no music signal for several minutes (this will occur when the power switch is set to 'Auto').

CONTROLS & CONNECTIONS: Defiance V8



1. Level

The Level adjusts the subwoofers output level to match that of your speakers.

2. Low Pass Filter

The level Low Pass Filter controls the subwoofers upper frequency cut-off.

This can be set to match the low-frequency roll-off of your front speakers.

Example: If your front speakers play to approximately 80Hz, you can set the subwoofers Low Pass Filter frequency to 80Hz.

NOTE: The Low Pass Filter should be set to Bypass if a crossover has been set in your Preamp/Receiver.

3. Phase (0 or 180°)

The Phase switch inverts the low frequency signal to synchronize the subwoofer with the front speakers.

Example: The sound from your subwoofer may arrive at the listening position out of alignment with the front speakers, causing a perceived decrease bass.

NOTE: The Phase switch should be set to 0 for most applications.

4. Status Indicator

The subwoofers is equipped with a multi-colored LED, (located on the rear) which indicates the current status of the subwoofer

- No illumination — Subwoofer is not on.
- White — Subwoofer is on
- Red — Subwoofer is in 'Standby mode'
- Flashing — Subwoofer has detected an error code.

5. Power Mode

The Power Mode switch allows you to control how the subwoofer turns On & Off.

- Auto — When set to "Auto", the subwoofer will turn on when an audio signal is detected.

NOTE: After several minutes of inactivity the subwoofer will enter Standby Mode.

- On — When set to "On", the subwoofer will always be on.

NOTE: If the subwoofer enters Standby Mode during quiet or low level audio playback, this is likely due to a low audio output signal from the audio system. Increasing the system volume should resume normal subwoofer playback. Increasing the subwoofer output level on the Preamp/Receiver and decreasing the level on the subwoofer will solve this issue in the future for similar listening levels.

CONTROLS & CONNECTIONS:

Defiance V8 *(cont'd)*

6. Speaker Level Inputs (Left/Right)

The Speaker Level Inputs allows standard speaker cable be used for the subwoofer connection. To use these connections the speaker cable should be terminated using banana style plugs.

NOTE: The setting of the Low Pass Filter control is applied to the signal received through these inputs.

7. Line Level Input (Left/Right)

The Line Level Input allows the Main-Out or Pre-Out be used on your Preamp/Receiver for the subwoofer connection.

NOTE: The setting of the Low Pass Filter control is applied to the signal received through these inputs.

8. Line Level Input (LFE)

The Line Level LFE Input allows the LFE Out/Sub-Out be used on your Preamp/Receiver for the subwoofer connection.

NOTE: The Low Pass Filter should be set to Bypass. LFE signals are controlled from your Preamp/Receiver.

9. AC Power Connection



WARNING! The power cord should not be installed, removed, or left detached from the subwoofer while the other end is connected to an AC power source.

The IEC power cord should be firmly inserted into the AC power receptacle on the rear panel of the subwoofer. Then to any convenient AC wall outlet.

NOTE: The sub also integrates a signal sensing power supply that automatically switches off after sensing no music signal for several minutes (this will occur when the power switch is set to 'Auto').

FINE TUNING: Defiance V10/V12

To fine tune your Paradigm Defiance V10 or V12 you will require the Paradigm Subwoofer App.

This can be downloaded from the Apple App Store or Google Play Store. All adjustments can then be made using the app.

TIP: The tuning steps below can be used as a guide when adjusting settings via the app. Reference the controls on the app with the description and function described instructions in “**Setting Subwoofer Controls**” (see pages 25 & 26).

FINE TUNING: Defiance V8

Once you have your speakers positioned in the room along with your speaker distances and speaker levels calibrated with your Preamp/Receiver, it's time for a little fine tuning.

When fine tuning your subwoofer to best integrate with the rest of your system, use music and video soundtracks that you know well. They should contain selections with extended bass that is continuous and repetitive.

Assess subwoofer bass output for best blend with your main speakers. It should not be overbearing or draw attention to itself, nor should it be thin and difficult to hear. It should add 'weight' and 'punch' to the overall sound and keep pace with your main speakers.

If you are using a Preamp/Receiver to set crossover points start with 80Hz & adjust the **Low Pass Filter** according to the **Low Pass Filter** instructions in “**Setting Subwoofer Controls**” (see pages 25 & 26).

If you are using a Preamp/Receiver with tone controls, set them to flat (i.e. '0') and switch loudness controls off.

Some subwoofer locations may result in bass frequency cancellations. If bass sounds dislocated or weak, adjust the **Phase** according to the **Phase** instructions in “**Setting Subwoofer Controls**” (see pages 25 & 26).

SETTING SUBWOOFER CONTROLS

(Crossover Set By Preamp/Receiver)

1. Turn the **Level** control completely counterclockwise to its minimum.
2. Turn the **Low Pass Filter** control to its highest frequency (i.e. Bypass).
3. Switch the **Phase** control to **0°** (if not already set to 0°).
4. Listen to a bass music or video selection while seated in your primary listening area and have an assistant turn up the **Level** control until the subwoofer can be clearly heard.
5. With the help of an assistant, switch the **Phase** to 180°. If bass response is now more pronounced, your subwoofer and front speakers are now in phase. Do not change phase alignment again unless you move the subwoofer or front speakers to a different location in your room, or move or remove any large items of furniture or room furnishings (i.e. carpet, draperies, etc.) **TIP:** Defiance V10/V12: Using the app, slowly rotate the **Phase** control until you hear the most bass.
6. Turn the **Level** control completely counterclockwise to its minimum.
7. Slowly rotate the **Level** control until you match the subwoofer's volume with the Volume of your front speakers. Bass should be clearly audible, but not intrusive.

NOTE: If you happen to have an SPL meter, set the meter to 80, SLOW and C weighted. Then enable the subwoofer test tones on your Preamp/Receiver. With this set repeat **Step 7** until the meter reads 75dB.

SETTING SUBWOOFER CONTROLS

(Local Crossover Method)

1. Turn the **Level** control completely counterclockwise to its minimum.
2. Turn the **Low Pass Filter** control to its highest frequency (i.e. Bypass).
3. Switch the **Phase** control to **0°** (if not already set to 0°).
4. Listen to a bass music or video selection while seated in your primary listening area and have an assistant turn up the **Level** control until the subwoofer can be clearly heard.
5. With the help of an assistant, switch the **Phase** to 180°. If bass response is now more pronounced, your subwoofer and front speakers are now in phase. Do not change phase alignment again unless you move the subwoofer or front speakers to a different location in your room, or move or remove any large items of furniture or room furnishings (i.e. carpet, draperies, etc.) **TIP:** Defiance V10/V12: Using the app, slowly rotate the **Phase** control until you hear the most bass.
6. Turn the **Level** control completely counterclockwise to its minimum.
7. Turn the **Low Pass Filter** control to its highest frequency (i.e. 35Hz).
8. Slowly rotate the **Level** control until you match the subwoofer's volume with the Volume of your front speakers. Bass should be clearly audible, but not intrusive.
9. Slowly rotate the **Low Pass Filter** control until you hear the best subwoofer/front speaker blend. If the sound is too thin you have not set the frequency high enough; if the sound becomes boomy you have set the frequency too high. Adjust until you find the most natural bass balance.

NOTE: If you happen to have an SPL meter, set the meter to 80, SLOW and C weighted. Then enable the subwoofer test tones on your Preamp/Receiver. With this set repeat **Step 8** until the meter reads **75dB**.

ARC® (ANTHEM ROOM CORRECTION) (Sold Separately): Defiance V10/V12 ONLY

A True Scientific Solution to the Problems of the Room

Even when the finest speakers are perfectly positioned, the room itself still has a dramatic impact on any system's sound, an impact more profound than that of any individual component. Various solutions have fallen in and out of favor over the years, but none has solved the problem of "the room," until ARC (Anthem Room Correction) technology.

ARC technology is a proprietary digital signal processing system that allows you to quickly and accurately optimize the performance of your audio equipment to better suit the unique parameters of your room.

By listening to your room's acoustic signature, ARC can tune your equipment to correct for the performance-robbing effects (reflections, resonances, standing waves, etc.) of the various surfaces and other obstacles in your room.

ARC is easy to use, and just a few simple steps can optimize your subwoofer for your unique listening space. ARC is sophisticated, one of the most accurate and detailed digital room correction technologies available today. ARC will work tomorrow, too; with constant advances and updates available for download on the Anthem website.

Now there are THREE ways to calibrate your system using ARC or ARC Mobile — each takes only a few minutes to complete.



IMPORTANT! The listening space must be silent while performing ARC. A noisy computer fan, a dishwasher or microwave running, etc. can negatively affect ARC's measurements.

EASY

Requirements:

- iOS Device
- ARC Mobile App

Download Anthem's ARC Mobile app to your iOS device. This method uses your iOS device's built-in microphone for measurements.

This method walks you through step by step via the app.

INTERMEDIATE

Method for Apple iOS Device Users

Requirements:

- iOS Device
- ARC Mobile App
- ARC Universal Microphone
(sold separately — see your Paradigm dealer for details)

Download Anthem's ARC Mobile app to an iOS device. Run the ARC app and select "ARC Universal Microphone," connect the supplied 3.5 mm cord from your iOS device to the ARC Universal Microphone for measurements.

This method walks you through step by step via the app.

Method for Android Device Users

Requirements:

- Android Device
- ARC Mobile App
- ARC Universal Microphone
(sold separately — see your Paradigm dealer for details)
- OTG USB Adapter
(sold separately — see your Paradigm dealer for details)

Download Anthem's ARC Mobile app to an Android device. Run the ARC app and connect the USB OTG adapter from your Android device to the ARC Universal Microphone for measurements.

This method walks you through step by step via the app.

PROFESSIONAL

Requirements:

- Windows PC
- ARC PC Software
- ARC Universal Microphone
(sold separately — see your Paradigm dealer for details)

Download and install Anthem's ARC PC software to your Windows PC. Connect either the calibrated ARC PC Microphone or ARC Universal Microphone to your Windows PC, and connect your ARC-capable speaker or electronics with either the second USB cord or through a network connection. After running your measurements, you can customize the results, set up multiple configurations, and print correction curve graphs.

LIMITED WARRANTY

PARADIGM® SUBWOOFERS: The Paradigm Subwoofers covered in this manual are warranted to be and remain free of manufacturing and/or material defects for a period of **three (3) years** from the date of the original retail purchase. Within the time period specified, repair, replacement or adjustment of parts for manufacturing and/or material defects will be free of charge to the original owner.

DEFIANCE WT WIRELESS SYSTEM (SOLD SEPARATELY): Details on the warranty for the **Defiance WT Wireless System** can be found in the **Defiance WT Wireless System Owners Manual**.

Thermal or mechanical abuse/misuse is not covered under warranty.

Limitations:

- Warranty begins on date of original retail purchase from an Authorized Paradigm® Dealer only. It is not transferable;
- Warranty applies to product in normal home use only. If the product is subjected to any of the conditions outlined in the next section, warranty is void;
- Warranty does not apply if the product is used in professional or commercial applications. Warranty is Void if:
- The product has been abused (intentionally or accidentally);
- The product has been used in conjunction with unsuitable or faulty equipment;
- The product has been subjected to damaging signals, derangement in transport, mechanical damage or any abnormal conditions;
- The product (including cabinet) has been tampered with or damaged by an unauthorized service facility;
- The serial number has been removed or defaced. Owner Responsibilities:
- Provide normal/reasonable operating care and maintenance;
- Provide or pay for transportation charges for product to service facility;

- Provide proof of purchase (your sales receipt given at time of purchase from your Authorized Paradigm® Dealer). Should servicing be required, contact your nearest Authorized Paradigm® Dealer, Paradigm Electronics Inc., or Import Distributor (outside the U.S. and Canada) to arrange, bring in or ship prepaid any defective unit. Visit our website at www.paradigm.com for more information. Paradigm Electronics Inc. reserves the right to improve the design of any product without assuming any obligation to modify any product previously manufactured. This warranty is in lieu of all other warranties expressed or implied, of merchantability, fitness for any particular purpose and may not be extended or enlarged by anyone. In no event shall Paradigm Electronics Inc., their agents, or representatives be responsible for any incidental or consequential damages. Some jurisdictions do not allow limitation of incidental or consequential damages, so this exclusion may not apply to you. Retain this manual and your sales receipt for proof of warranty term and proof of purchase.



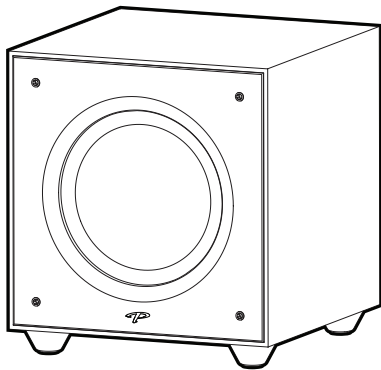


DEFIANCE

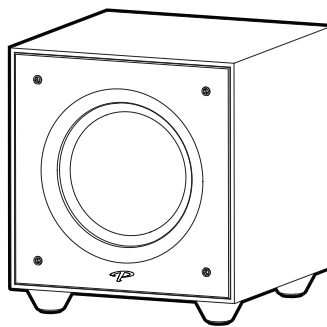
SUBWOOFER



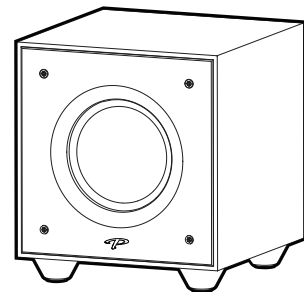
DEFIANCE V12



DEFIANCE V10




DEFIANCE V8



Manuel de l'utilisateur

CONSIGNES DE SÉCURITÉ IMPORTANTES

1. Lisez les consignes.
2. Conservez les consignes.
3. Tenez compte de toutes les mises en garde.
4. Suivez les consignes.
5. N'utilisez pas cet appareil près de l'eau.
6. Nettoyez uniquement avec un linge sec.
7. Ne bloquez pas les ouvertures de ventilation. Installez conformément aux instructions du fabricant.
8. N'installez pas le produit près des sources de chaleur, telles que les radiateurs, les registres de chaleur, les poêles ou les autres appareils qui produisent de la chaleur (y compris les amplificateurs).
9. N'outreprenez pas la caractéristique de sécurité de la fiche polarisée ou de type polarisé. Une fiche polarisée a deux lames dont une est plus large que l'autre. Une fiche de type polarisé a deux lames et une troisième qui agit à titre de broche de masse (grounding prong). La lame large ou la broche de masse sont fournies pour votre sécurité. Si la fiche fournie n'entre pas dans la prise murale, consultez un électricien pour qu'il remplace la prise obsolète.
10. Protégez le cordon d'alimentation pour qu'il ne soit pas piétiné ou écrasé par des articles placés ou appuyés sur ceux-ci, en prêtant particulièrement attention à la fiche des cordons, aux réceptacles d'utilité et à l'endroit où ils sortent de l'appareil.
11. Utilisez uniquement les pièces ou les accessoires recommandés par le fabricant.
12.  Utilisez uniquement avec le chariot, le pied, le trépied, le support ou la table recommandé par le fabricant ou vendu avec l'appareil. Lorsque vous utilisez un chariot, faites attention lorsque vous déplacez le chariot/appareil pour éviter de vous blesser s'il bascule.
13. Débranchez l'appareil lors des orages électriques ou lorsque vous ne l'utilisez pas pendant une longue période.
14. Faites effectuer toutes les réparations par un technicien compétent. Des réparations sont nécessaires lorsque l'appareil a été endommagé de quelque façon que ce soit, par exemple, lorsque le cordon d'alimentation est endommagé, que du liquide ou des objets sont tombés dans l'appareil, que l'appareil a été exposé à la pluie ou à l'humidité, qu'il ne fonctionne pas normalement ou qu'il est tombé sur le sol.
15. Afin de limiter les risques d'incendie ou d'électrocution, n'exposez jamais ce produit à la pluie ou à l'humidité. L'appareil ne doit pas être exposé à des projections d'eau ; ne posez aucun vase ou autre objet rempli de liquide sur l'appareil.
16. Lorsque la fiche d'alimentation ou la prise multiple est utilisée comme dispositif de débranchement de l'appareil, elle doit rester facilement accessible.
17. Evitez de surcharger prises murales et câbles de rallonge, car cela peut entraîner des risques d'incendie ou d'électrocution.
18. Aucune flamme nue, comme une chandelle, ne doit être placée sur l'appareil.
19. Maintenez une distance minimale de 20 à 30 cm autour de l'appareil pour une ventilation suffisante.
20. L'aération ne doit pas être bloquée en obturant les ouvertures d'aération ou en plaçant sur ou à côté de l'appareil des objets tels que des journaux, des nappes, des rideaux, etc.
21. L'appareil peut être utilisé dans les climats tropicaux.

INFORMATION SUR LA CONFORMITÉ POUR L'UE

Par la présente, SVI Holdings (US) Inc. déclare que son produit Defiance WT est conforme aux principales exigences et autres clauses pertinentes des directives suivantes sur l'information de la conformité pour l'EU.

- Conforme à la Directive européenne Basse tension 2014/35/UE;
- Directive européenne CEM 2014/30/UE;
- **Defiance V10/V12 UNIQUEMENT** : Directive européenne 2014/53/UE relatives aux équipements radioélectriques (RED);
- Directive européenne d'écoconception 2009/125/CE;
- Directive européenne WEEE 2012/19/UE;
- Directive européenne sur la restriction de l'utilisation de certaines substances dangereuses dans les équipements électriques et électroniques (Union Restriction of Hazardous Substances Recast) (RoHS2) 2011/65/UE;
- Directive européenne concernant l'enregistrement, l'évaluation et l'autorisation des substances chimiques ainsi que les restrictions applicables à ces substances (REACH) (Registration, Evaluation, Authorization and Restriction of Chemicals) 2006/121/CE.
- Vous pouvez obtenir un exemplaire gratuit de la Déclaration de conformité en communiquant avec votre revendeur, votre distributeur ou le siège social mondial de SVI Holdings (US) Inc. Les coordonnées sont disponibles ici :

CONFORMITÉ D'INDUSTRIE CANADA (IC)

Le présent appareil est conforme aux CNR d'Industrie Canada applicables aux appareils radio exempts de licence. L'exploitation est autorisée aux deux conditions suivantes :

- (1) l'appareil ne doit pas produire de brouillage, et
- (2) l'utilisateur de l'appareil doit accepter tout brouillage radioélectrique subi, même si le brouillage est susceptible d'en compromettre le fonctionnement.

Les changements ou modifications non expressément approuvés par les autorités compétentes en matière de conformité peuvent priver l'utilisateur du droit d'utiliser l'équipement en question.

Déclaration d'exposition aux radiations:

Cet équipement est conforme aux limites d'exposition aux radiations IC définies pour un environnement non contrôlé. Les utilisateurs finaux doivent suivre les instructions d'utilisation spécifiques pour satisfaire à la conformité d'exposition RF. Pour maintenir les exigences de conformité en matière d'exposition RF IC, veuillez suivre les instructions d'utilisation telles que documentées dans ce manuel.



Contient ID FCC : QOQBG113 and IC : 5123A-BGM113

Gamme de fréquences :
2402,0-2480,0 MHz

Puissance d'émission maximale :
2,5 dBm

Cet appareil est conforme à la partie 15 du Règlement FCC. Son fonctionnement est assujéti aux deux conditions suivantes : (1) cet appareil ne peut pas causer d'interférence nuisible et (2) cet appareil doit accepter toute interférence reçue, y compris l'interférence pouvant causer un fonctionnement indésirable.

Selon la réglementation FCC 47 CFR 15.21: Les changements ou modifications non expressément approuvés par la partie responsable de la conformité pourraient annuler l'autorité de l'utilisateur à utiliser l'équipement.

Remarque : cet équipement a été testé et jugé conforme aux limites d'un appareil numérique de Classe B, en vertu de la Section 15 du règlement de la FCC. Ces limites sont conçues pour offrir une protection jugée raisonnable contre l'interférence

nuisible dans une installation résidentielle. Cet équipement génère, utilise et peut émettre une énergie radio fréquence et, s'il n'est pas installé et utilisé conformément aux instructions, peut causer une interférence nuisible aux radiocommunications. Toutefois, il n'existe aucune garantie qu'une interférence ne se produira pas dans une installation particulière. Si cet équipement cause une interférence nuisible à la réception radiophonique ou télévisuelle, qu'on peut déterminer en allumant et en éteignant l'équipement, on invite l'utilisateur à essayer de corriger l'interférence à l'aide de l'une des mesures suivantes :

- Réorienter l'antenne de réception ou la changer de place.
- Augmenter la distance entre l'équipement et le récepteur.
- Raccorder l'équipement à une prise située sur un circuit autre que celui sur lequel le récepteur est raccordé.
- Consulter le revendeur ou un technicien radio/TV compétent pour obtenir de l'aide.



En vertu de la directive WEEE de l'Union européenne (directive sur les déchets électriques et électroniques) entrée en vigueur le 13 août 2005, nous vous avisons que ce produit pourrait renfermer des matériaux réglementés dont l'élimination doit faire l'objet de procédures de réutilisation et de recyclage particulières. Pour cette raison, Paradigm Electronics Inc. a demandé à ses distributeurs dans les pays membres de l'Union européenne de reprendre et de recycler ce produit gratuitement.

Pour trouver le distributeur le plus près, communiquez avec le revendeur du produit ou consultez le site Web www.paradigm.com.

Veuillez noter que seul le produit est régi par la directive WEEE. Nous vous encourageons à recycler les matériaux d'emballage et autres matériaux d'expédition selon les procédures normales.



Le point d'exclamation dans un triangle équilatéral avertit l'utilisateur de la présence de directives importantes en lien avec le fonctionnement et la maintenance (service) dans les documents qui accompagnent le produit.



L'éclair avec une pointe en forme de flèche dans un triangle équilatéral avertit l'utilisateur d'une « tension dangereuse » non isolée à l'intérieur du produit qui peut être d'une force suffisante pour constituer un risque de décharge électrique.



MISE EN GARDE! N'utilisez pas le ou les produits Paradigm à l'extérieur du pays où ils ont été achetés à l'origine — les exigences en matière de tension varient d'un pays à l'autre. Une tension inappropriée peut causer des dommages potentiellement dispendieux à réparer. Les produits Paradigm sont expédiés aux distributeurs Paradigm autorisés avec l'alimentation électrique appropriée pour une utilisation dans le pays où la vente est prévue. Une liste des distributeurs autorisés est disponible sur le site Web www.paradigm.com ou en envoyant un courriel à l'adresse info@paradigm.com.



Merci!



... nous vous remercions d'avoir choisi le caisson de sous-graves de la série Defiance de Paradigm. Vous allez entendre la différence que confèrent ces enceintes de pointe haut de gamme à votre système audio ou de cinéma maison! Ces caisson de sous-graves sont le produit d'innombrables heures de recherche et de développement approfondis et elles vous fourniront un son haut de gamme de qualité supérieure pendant de nombreuses années.

Pour une installation appropriée, et pour profiter d'un son exceptionnel, veuillez lire le présent manuel et suivre toutes les instructions. Pour toute autre question, contactez un revendeur Paradigm autorisé ou consultez la page Questions-Réponses de notre site Web au www.paradigm.com.

PARADIGM ELECTRONICS SE RÉSERVE LE DROIT DE MODIFIER LES SPÉCIFICATIONS OU LES CARACTÉRISTIQUES SANS PRÉAVIS, AU FUR ET À MESURE QUE DES AMÉLIORATIONS SONT INCLUSES.

PARADIGM, ANTHEM, et ARC sont des marques de commerce déposées de Paradigm Electronics Inc. Defiance Subwoofer sont des marques de commerce de Paradigm Electronics Inc. Droit d'auteur © Paradigm Electronics Inc. Tous droits réservés.

TABLE DES MATIÈRES

Avertissements de sécurité et installation rapide	3
Votre nouveau caisson de sous-grave	6
Positionnement du caisson de sous-graves	8
L'avantage d'utiliser deux caissons de sous-graves	9
Raccordement du caisson de sous-graves	11
Raccord câblé	12
Entrée niveau de ligne (gauche/droite)	13
Entrées niveau d'enceinte (gauche/droite)	14
Raccordement d'un transmetteur sans fil Defiance WT (vendu séparément): Defiance V10/V12 UNIQUEMENT	16
« Jumeler » votre caisson de sous-graves avec le transmetteur sans fil Defiance WT (vendu séparément): Defiance V10/V12 UNIQUEMENT	18
Fonctionnement sans fil	18
Fonctionnement du transmetteur	19
Commandes et connexions : Defiance V10/V12	22
Commandes et connexions : Defiance V8	25
Réglages fin : Defiance V10/V12	29
Réglages fin : Defiance V8	29
Réglage des commandes du caisson de sous-graves (répartiteur réglé par l'entremise du préamplificateur ou récepteur)	30
Réglage des commandes du caisson de sous-graves (méthode répartiteur local)	31
ARC^{MD} (Anthem Room Correction — vendu séparément) : Defiance V10/V12 UNIQUEMENT	32
Garantie limitée	35



AVERTISSEMENTS DE SÉCURITÉ ET INSTALLATION RAPIDE

- Tensions dangereuses à l'intérieur, ne pas enlever le couvercle.
- Les réparations doivent être effectuées par un technicien compétent.
- Pour éviter les risques d'incendie ou de décharge électrique, ne pas exposer ce module à l'humidité.
- Éteindre l'amplificateur et débrancher le caisson de sous-graves en cas de conditions anormales.
- Le cordon d'alimentation ne doit pas être installé, enlevé ou laissé détaché de l'enceinte lorsque l'autre extrémité est raccordée à une source d'alimentation CA.
- L'interrupteur d'alimentation principal qui se trouve à proximité de la prise CA doit rester facilement accessible.
- Utiliser ce produit uniquement avec une prise électrique mise à la terre.
- Aucune chandelle ou autre source de flamme nue ne doit être placée sur l'enceinte.
- Aucun liquide, dans un verre ou un vase, ne doit être placé sur l'enceinte.
- L'enceinte ne doit pas être exposée à des écoulements ou à des éclaboussures de liquide.
- Les bornes marquées d'un symbole d'éclair doivent être raccordées par une personne compétente ou par des bornes prêtes à l'emploi.
- Le cordon d'alimentation doit rester facilement accessible en cas de conditions anormales.

Nous savons que vous êtes impatient d'entendre votre nouveau caisson de sous-graves Paradigm; par conséquent, cette section est destinée à vous permettre de l'installer de façon rapide et facile. Une fois le caisson de sous-graves prêt à fonctionner, veuillez prendre le temps de lire attentivement le reste des renseignements de ce manuel. Vous saurez ainsi comment obtenir le meilleur rendement possible de ce système de caisson de sous-graves très précis.

Si vous éprouvez des problèmes avec la configuration ou le fonctionnement de votre caisson de sous-graves Paradigm, veuillez consulter les sections Acoustique de la pièce ou Fonctionnement de ce manuel. Si vous éprouvez un problème récurrent que vous ne pouvez pas régler, veuillez communiquer avec votre revendeur Paradigm autorisé. Il effectuera l'analyse technique appropriée pour régler le problème

Déballage

Retirez votre nouveau caisson de sous-graves de son emballage. Veuillez conserver le matériel d'emballage d'origine pour une utilisation ultérieure — un emballage de rechange peut être dispendieux.

Positionnement

Vous pouvez commencer en plaçant le caisson de sous-graves dans un coin à proximité de la partie avant de la pièce. S'il est placé dans un coin, alignez le caisson de sous-graves en position diagonale afin que les deux haut-parleurs de graves soient équidistants par rapport au mur. Avant de choisir la position de coin permanente, essayez d'autres positions. Les emplacements éloignés des coins sont souvent plus efficaces pour fournir un rendement idéal des basses fréquences et une bonne intégration aux enceintes principales. Consultez la section Positionnement pour obtenir de plus amples détails.

Raccordement du signal

Utilisez les meilleurs câbles disponibles. Des câbles de haute qualité, disponibles auprès de votre revendeur spécialisé, sont recommandés et offriront un rendement supérieur.

Raccordez les sorties de votre préamplificateur ou récepteur aux connecteurs de l'entrée du signal situés sur le panneau arrière du caisson de sous-graves. Consultez la section Commandes et raccords pour obtenir de plus amples détails.

Si vous prévoyez de raccorder votre caisson de sous-graves à l'aide des entrées Speaker Level (niveau élevé), consultez la section sur les entrées Speaker Level (niveau d'enceinte) pour obtenir de plus amples détails

Raccord de l'alimentation (CA) (voir la mise en garde)

Assurez-vous que le bouton de niveau est réglé à 0. Branchez le caisson de sous-graves à une prise murale. Consultez la section Raccord de l'alimentation CA de ce manuel pour obtenir de plus amples détails.

AVERTISSEMENTS DE SÉCURITÉ ET INSTALLATION EN BREF (suite)

Réglage des commandes (avec entrée LFE) :

Defiance V10 et V12

- Commande de réglage : réglez l'interrupteur à « Local ».
- Mode d'alimentation : réglez l'interrupteur à « Auto ».
- Niveau : réglez le niveau à douze heures (tout droit).
- Utilisez le système de gestion des graves du processeur/récepteur pour régler l'intégration du caisson de sous-graves.

Réglage des commandes (avec entrée LFE) :

Defiance V8

- Mode d'alimentation : réglez l'interrupteur à « Auto ».
- Niveau : réglez le niveau à douze heures (tout droit).
- Utilisez le filtre de passe basse et réglez-le à Bypass (contournement)

Réglage des commandes (avec les entrées Gauche/droite) :

Defiance V10 et V12

- Commande de réglage : réglez l'interrupteur à « App ».
- Mode d'alimentation : réglez l'interrupteur à « Auto ».
- Téléchargez l'appli de commande du caisson de sous-graves Paradigm (sur Google Play ou Apple App Store).
- À l'aide de l'appli, ajustez les réglages suivants :
 - Volume (niveau) : réglez-le à -14dB (ou midi ou tout droit).
 - Phase : commencez avec 90° (avec polarité inversée allumée).
 - Gain de la pièce : commencez avec 0dB.
 - Filtre de passe basse : réglez plus bas que l'extrémité inférieure de la plage de réponse de fréquence de vos enceintes principales. Si vous n'êtes pas certain de la réponse de basse fréquence de votre enceinte principale, commencez avec un réglage de 80Hz.

Réglage des commandes (avec les entrées Gauche/droite) :

Defiance V8

- Mode d'alimentation : réglez l'interrupteur à « Auto ».
- Niveau : réglez le niveau à douze heures (tout droit).
- Utilisez le filtre de passe basse et réglez-le à 80Hz.

VOTRE NOUVEAU CAISSON DE SOUS-GRAVE

Rodage

Bien que vos caissons de sous-graves Paradigm Prestige offrent un son excellent « en sortant de la boîte », le son sera encore meilleur après une période de rodage. Laissez-les fonctionner pendant plusieurs heures avant toute écoute critique.

REMARQUE : si votre caisson de sous-graves a été transporté ou stocké au froid, laissez-le réchauffer à la température de la pièce avant de l'utiliser.

Nettoyage

Les caissons de sous-graves Paradigm Defiance ont un fini durable de grande qualité. Pour les nettoyer, utilisez un linge doux et humide. N'utilisez pas de nettoyant puissant ou abrasif. Évitez de mouiller toute partie du système du caisson de sous-graves. Ne placez pas d'objets contenant des liquides (verres, plantes en pot, etc.) sur le dessus du caisson de sous-graves — si on laisse de l'eau couler dans le caisson de sous-graves, même une petite quantité d'eau peut endommager le boîtier du caisson de sous-graves de façon permanente.

Exigences en matière d'alimentation

La cote « Watts » (W) indiquée sur le panneau arrière est la puissance CA maximale que votre caisson de sous-graves utilisera en produisant sa puissance de sortie maximale. Toutefois, l'utilisation réelle de puissance variera en fonction du contenu des graves du matériel joué — plus s'il n'y a beaucoup de graves profondes, moins s'il n'y a pas beaucoup de graves. Bien que cela ne soit généralement pas requis pour la musique typique et le contenu des films, si le contenu des graves du matériel joué est très fort et de nature plus continue, nous recommandons de brancher les caissons de sous-graves avec des cotes de puissance plus élevée (c.-à-d. : 1500 W) à des circuits CA dédiés.

Acoustique de la pièce

Vous êtes sur le point de faire l'expérience du rendement des graves impressionnant d'un caisson de sous-graves Defiance de Paradigm à la fine pointe de la technologie. Ces caissons de sous-graves sont dotés d'une technologie brevetée très avancée et établissent de nouvelles normes en matière d'extension des graves profondes, de distorsion très faible et de puissance sonore, en plus d'offrir une articulation et une frappe des graves sans précédent. Il est important de noter que tout comme la quantité de meubles mous peut avoir une influence décisive sur les moyennes et hautes fréquences, les fréquences sous 150Hz sont grandement influencées par la pièce elle-même — sa taille, sa

VOTRE NOUVEAU CAISSON DE SOUS-GRAVE *(suite)*

forme et les limites physiques dans toute la pièce. La meilleure façon d'obtenir un rendement des graves optimal dans toute pièce est de faire des expériences avec le positionnement du caisson de sous-graves et les ajustements des commandes. N'oubliez pas les lignes directrices suivantes lorsque vous décidez le meilleur positionnement du caisson de sous-graves :

- Les planchers et les murs en béton ont tendance à aggraver les problèmes d'ondes stationnaires de basse fréquence et sont moins privilégiés.
- Les pièces qui comportent une hauteur, une largeur et une longueur semblables doivent être évitées, car elles peuvent présenter des problèmes d'ondes stationnaires de basse fréquence importants. Cela peut diminuer la clarté. Si aucune autre pièce n'est possible, essayez différents positionnements du caisson de sous-graves pour minimiser les problèmes acoustiques.



POSITIONNEMENT DU CAISSON DE SOUS-GRAVES



PRÉCAUTIONS DE SÉCURITÉ: Avant de passer à cette section, assurez-vous de lire et de suivre toutes les consignes de sécurité au début de ce manuel.

Les graves sont de moins en moins directionnelles à mesure que la fréquence baisse. Pour obtenir la meilleure intégration sonore, le fait de placer votre caisson de sous-graves entre vos enceintes avant ou à côté de l'une d'elles et proche du mur arrière offrira habituellement le meilleur rendement des graves. Si cet emplacement n'est pas possible, votre caisson de sous-graves peut-être placé n'importe où dans la pièce sans influencer l'image stéréo de vos enceintes avant ou le spectre sonore de votre système d'enceintes à canaux multiples.

Les **Fig. 1a** et **Fig. 1b** décrivent la façon dont la sortie des graves est généralement influencée par le positionnement dans la pièce. Lorsque vous êtes assis dans une aire d'écoute typique de votre pièce, le fait de placer le caisson de sous-graves à l'intérieur des zones « ombragées » donnera généralement le rendement des graves suivants :

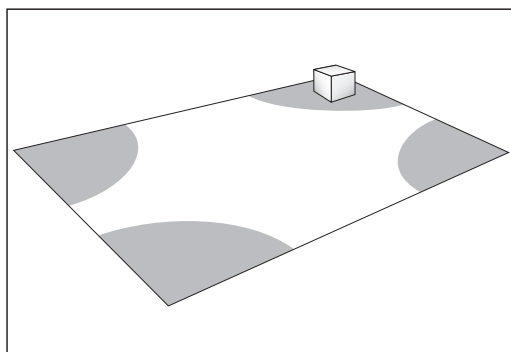


Fig. 1a : un positionnement dans un coin offre le plus de graves, mais parfois aux dépens de la précision. .

POSITIONNEMENT DU CAISSON DE SOUS-GRAVES (suite)

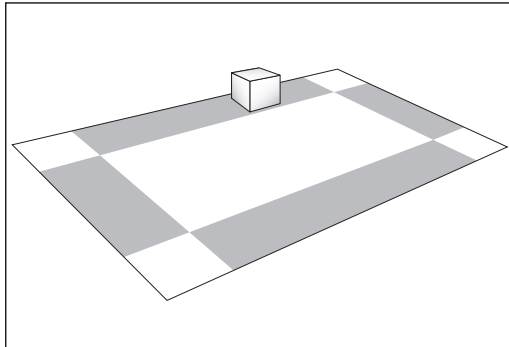


Fig. 1b: un caisson de sous-graves placé proche d'un mur offre habituellement un bon équilibre entre la quantité et la précision.

L'AVANTAGE D'UTILISER DEUX CAISSONS DE SOUS-GRAVES

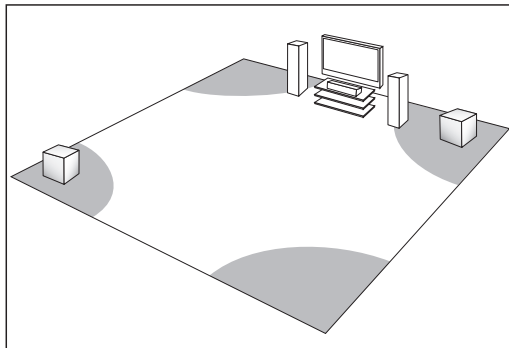


Fig. 2: Lorsque vous utilisez deux caissons de sous-graves, le fait de placer un caisson à l'avant de la pièce et l'autre à l'arrière de la pièce (**voir Fig. 2**) offre habituellement le meilleur rendement des graves et la meilleure intégration sonore. Consultez la section « Réglages fins » de ce manuel de l'utilisateur pour obtenir de plus amples renseignements sur le réglage des paramètres de phase. Si ces emplacements ne sont pas possibles, ou si vous souhaitez essayer des options de positionnement avec deux caissons de sous-graves, la procédure suivante constitue un guide utile pour obtenir un meilleur rendement des graves. Consultez la section « Raccord du caisson de sous-graves » (ci-dessous), puis procédez de la façon suivante :

1. Éteignez temporairement toutes les enceintes (en éteignant l'amplificateur ou en les débranchant).
2. Raccordez et placez un caisson de sous-graves dans l'aire centrale de votre salle d'écoute. Suivez les instructions pour le raccordement, comme indiqué dans la section suivante.
3. À un niveau modérément fort, faites jouer de la musique ou une bande sonore vidéo avec des graves étendues qui sont répétitives ou continues.
4. Marchez dans la pièce et notez les endroits où les graves sonnent plus fort et les endroits où elles sont plus faibles.
5. Placez le premier caisson de sous-graves dans une zone de graves plus fortes dans votre pièce; placez ensuite le deuxième caisson de sous-graves dans une zone plus tranquille de votre pièce.
6. Raccordez les deux caissons de sous-graves et rallumez toutes les enceintes, puis allumez l'amplificateur ou rebranchez-le.
7. Suivez les instructions de la section « Réglages fins » pour optimiser le rendement général des graves de votre système.

(Voir le revendeur pour obtenir les instructions de raccordement avec deux caissons de sous-grave.)

REMARQUE : ce qui précède est uniquement une ligne directrice. Il est recommandé d'utiliser un disque de test des graves ou un calibre de niveau de pression acoustique pour déterminer plus précisément les caractéristiques des graves de votre salle d'écoute (consultez votre revendeur pour plus de renseignements).

N'oubliez pas que l'acoustique de la pièce varie, ce qui signifie que vous pourriez devoir faire des essais avec le positionnement du caisson de sous-graves pour obtenir le meilleur rendement du caisson de sous-graves.

RACCORDEMENT DU CAISSON DE SOUS-GRAVES



MESURES DE SÉCURITÉ: avant de lire la section ci-dessous, assurez-vous de lire et de suivre l'ensemble des avis de mesure et d'avertissement de sécurité au début du présent mode d'emploi.



ÉTEINDRE toutes les composantes avant de raccorder le caisson.

REMARQUE : même si le syntoniseur audiovisuel ou le processeur est en mode « Large », les enceintes reproduiront des basses fréquences — attention de ne pas trop les solliciter!

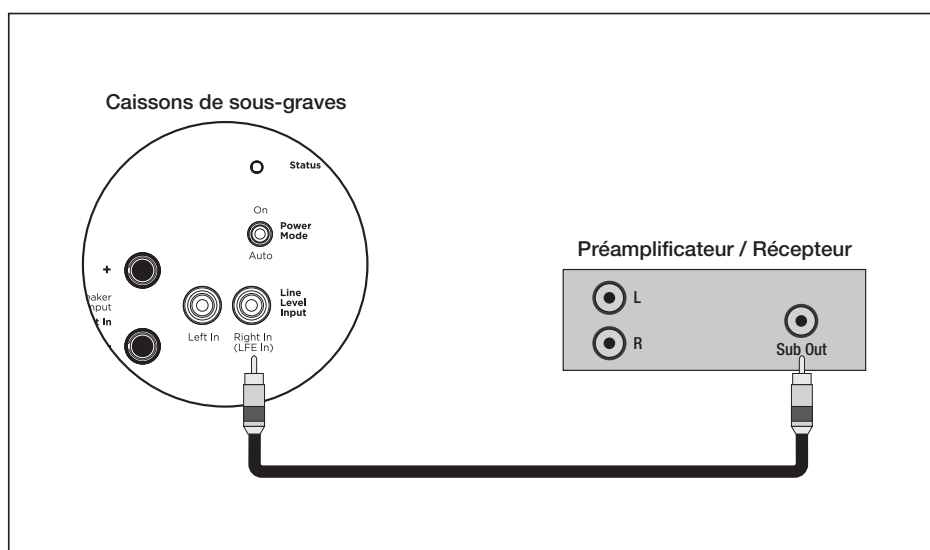
Pour le raccordement du caisson de sous-graves, il est recommandé d'utiliser des câbles et connecteurs de haute qualité (consulter votre détaillant pour obtenir de plus amples renseignements).

RACCORD CÂBLÉ

Line Level Input (Entrée niveau de ligne) (LFE) — Recommandé

Line-Level Input From Sub/LFE Output (Entrée niveau de ligne de sortie Sub/LFE) — pour une utilisation avec un préamplificateur ou un récepteur doté d'une prise Sub-Out/ LFE-Out.

À l'aide d'un câble d'interconnexion RCA à RCA (non compris), raccordez le caisson de sous-graves, comme illustré. Si votre caisson de sous-graves a deux prises d'entrée de bas niveau (low-level input), utilisez l'entrée de droite (LFE).

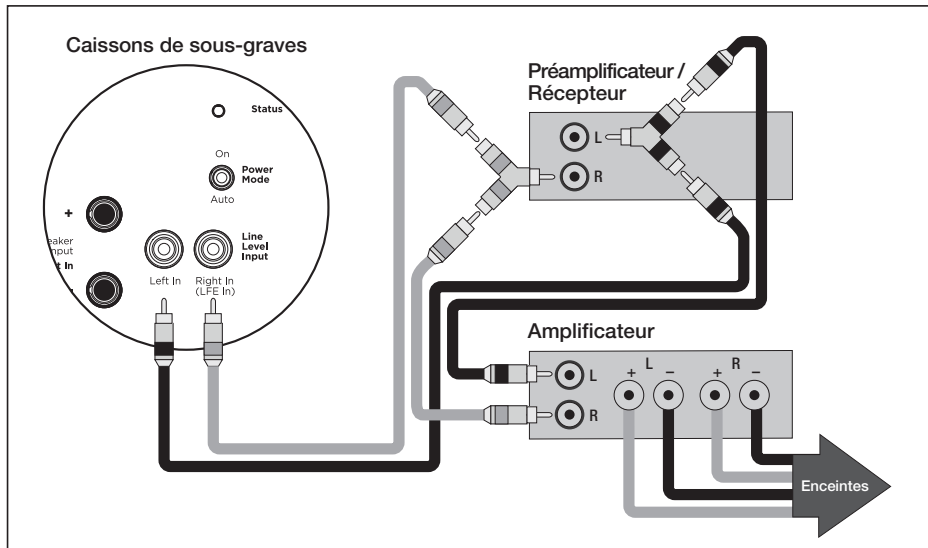


RACCORDEMENT DU CAISSON DE SOUS-GRAVES (suite)

Entrée niveau de ligne (gauche/droite)

Entrée niveau de ligne de Pre-Out/Front-Out sans sortie de passe haute de Sub — Pour une utilisation avec un préamplificateur ou un récepteur et un amplificateur avec prises Pre-Out/Front-Out et Main-In).

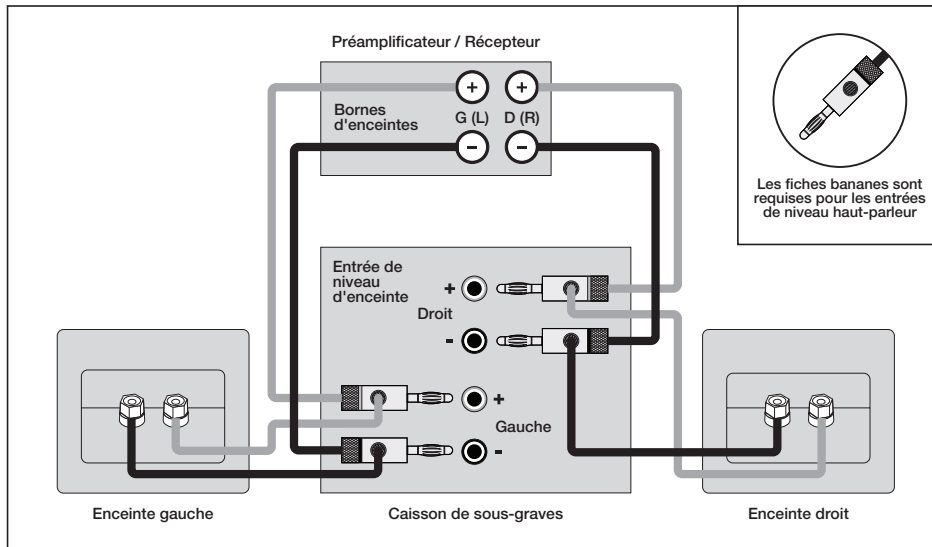
À l'aide d'un câble d'interconnexion RCA à RCA et de diviseurs en Y (non compris), raccordez le caisson de sous-graves, comme illustré.



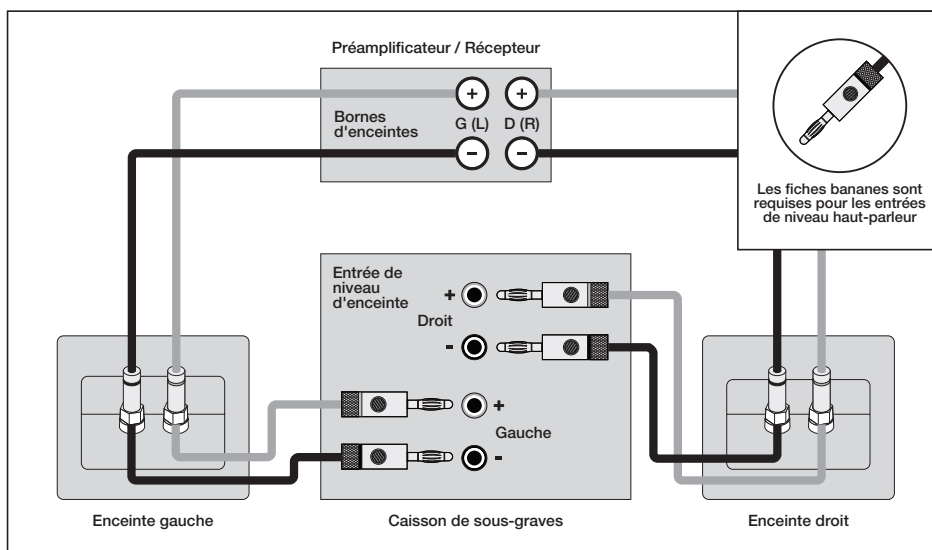
Entrées niveau d'enceinte (gauche/droite)

Entrée niveau d'enceinte — pour utilisation avec un préamplificateur ou un récepteur qui n'a pas de prises Sub-Out/LFE-Out ou Pre-Out/Front-Out.

À l'aide de câble d'enceinte de haute qualité, raccordez votre caisson de sous-graves, comme illustré. Pour vous faciliter la tâche, vous pouvez également raccorder vos enceintes avant à ces bornes.

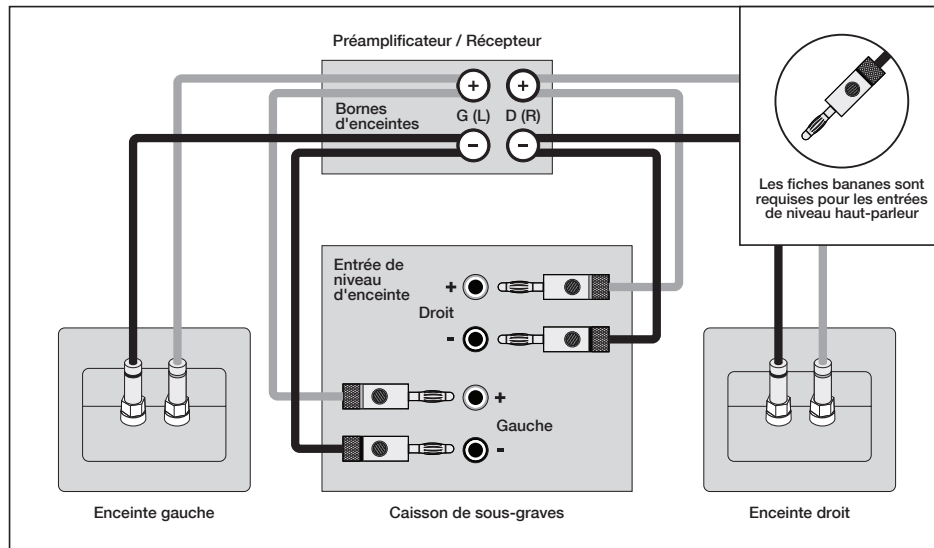


Option 1



Option 2

RACCORDEMENT DU CAISSON DE SOUS-GRAVES (suite)



Option 3

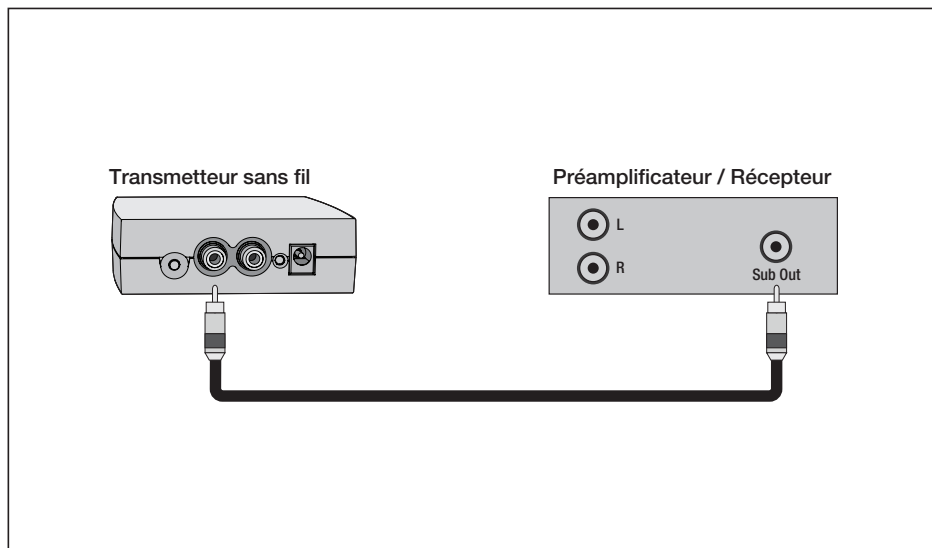
RACCORDEMENT D'UN TRANSMETTEUR SANS FIL DEFIANCE WT (vendu séparément): Defiance V10/V12 UNIQUEMENT



Avant de raccorder votre transmetteur sans fil au préamplificateur ou au récepteur, assurez-vous d'avoir « jumelé » le caisson de sous-graves et le transmetteur.

Entrée niveau de ligne de sortie Sub/LFE — *pour une utilisation avec un préamplificateur ou un récepteur doté d'une prise Sub-Out/LFE-Out.*

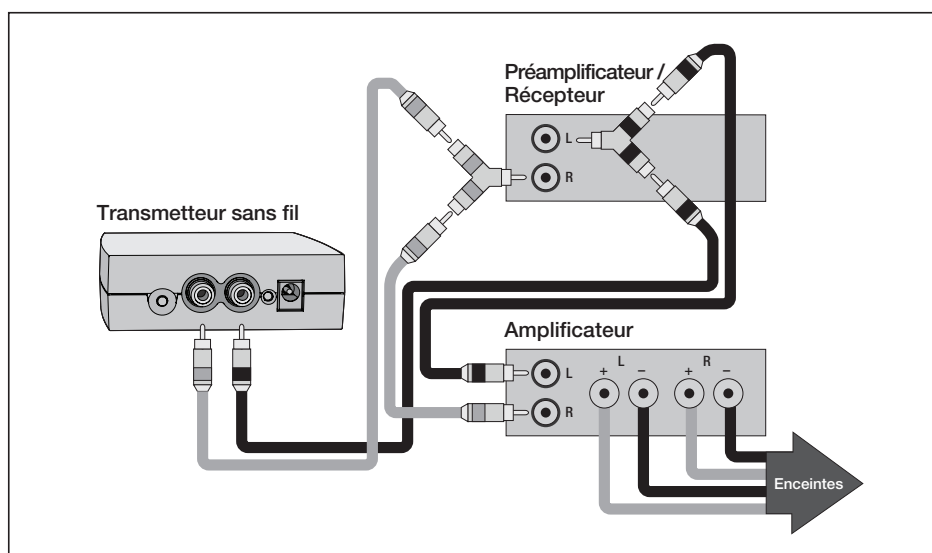
À l'aide d'un câble d'interconnexion RCA à RCA (non compris), raccordez le transmetteur sans fil, comme illustré.



RACCORDEMENT D'UN TRANSMETTEUR SANS FIL DEFIANCE WT (vendu séparément): Defiance V10/V12 UNIQUEMENT (suite)

Entrée niveau de ligne de Pre-Out/Front-Out sans sortie de passe haute de Sub — pour une utilisation avec un un préamplificateur ou un récepteur et un amplificateur avec prises Pre-Out/Front-Out et Main-In.

À l'aide de câbles d'interconnexion RCA à RCA et de séparateurs en Y (non compris), raccordez le transmetteur sans fil, comme illustré.



« JUMELER » VOTRE CAISSON DE SOUS-GRAVES AVEC LE TRANSMETTEUR SANS FIL DEFIANCE WT (vendu séparément): Defiance V10/V12 **UNIQUEMENT**

FONCTIONNEMENT SANS FIL



Si vous n'utilisez pas une option sans fil sur votre caisson de sous-graves (*Defiance V10 ou V12 UNIQUEMENT*), sautez cette section

Le positionnement du caisson de sous-graves joue un rôle majeur dans l'optimisation du rendement des graves. Toutefois, le positionnement peut nécessiter d'acheminer de longs câbles dans les murs, le long des plinthes et sous les planchers et les tapis, ce qui peut présenter des inconvénients et ne pas être plaisant pour l'œil. En passant au mode sans fil, vous n'avez plus besoin de vous inquiéter au sujet du positionnement et des nœuds de câbles. Souvent, l'option sans fil permet de diminuer drastiquement le délai de configuration du système.

« JUMELER » VOTRE CAISSON DE SOUS-GRAVES AVEC LE TRANSMETTEUR SANS FIL DEFIANCE WT (vendu séparément): Defiance V10/V12 UNIQUEMENT (suite)

FONCTIONNEMENT DU TRANSMETTEUR SANS FIL

Dans une salle d'écoute typique, votre nouveau transmetteur sans fil a une portée maximale de 50 pi (15 m). Des obstacles comme les murs, les gros meubles, les séparateurs de pièce, etc. peuvent diminuer la portée du transmetteur sans fil. Ne placez pas le caisson de sous-graves et le transmetteur sans fil à une distance supérieure à la distance recommandée. L'installation du transmetteur sans fil dans une autre pièce n'est pas recommandée. Les dimensions compactes du transmetteur sans fil permettent de l'insérer dans un support audio/vidéo standard. Le transmetteur sans fil comprend un capteur numérique automatique non compressé de 2,4 GHz qui s'ajustera automatiquement pour offrir la meilleure connexion sans fil tout en surveillant l'intégrité du flux de données.

Un câble audio RCA est nécessaire (non compris) pour raccorder le transmetteur sans fil à votre préamplificateur ou récepteur. (Voir le revendeur pour obtenir des recommandations sur les câbles.) Un transmetteur sans fil est requis pour chaque caisson de sous-graves sans fil utilisé.



AVERTISSEMENT : pour éviter les baisses de signal ou les interférences, gardez le transmetteur loin des fours micro-ondes, des téléphones cellulaires ou des appareils Bluetooth qui utilisent la même fréquence.

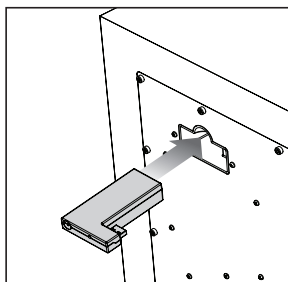


IMPORTANT! Le transmetteur et le caisson de sous-graves ne doivent pas être séparés de plus de 50 pieds (15 m) dans la pièce.

Le système sans fil Defiance WT est expédié déjà jumelé. Pour resynchroniser le système sans fil:

1. Vérifiez que le caisson de sous-graves est allumé et que sa lumière de statut est rouge ou blanche.

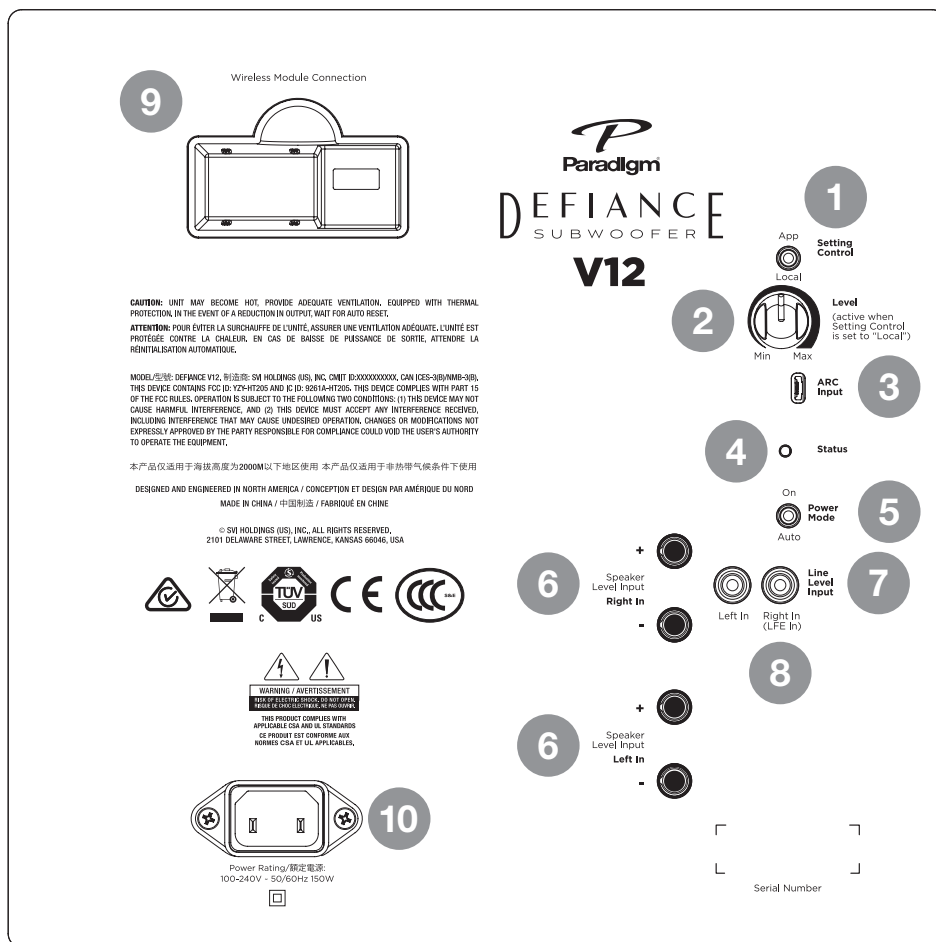
2. Si le cordon d'alimentation du transmetteur sans fil est branché, débranchez-le pendant 10 secondes.
3. Branchez le cordon d'alimentation du transmetteur sans fil.
4. Branchez le récepteur sans fil dans la partie arrière du caisson de sous-graves.



5. Attendez que les lumières de statut commencent à clignoter sur le récepteur sans fil et le transmetteur sans fil.
6. Appuyez sur le bouton de synchronisation du récepteur sans fil pendant 5 secondes.
7. Appuyez et maintenez enfoncé le bouton de synchronisation du transmetteur sans fil jusqu'à ce que la lumière de statut du récepteur sans fil soit allumée de couleur unie (sans clignotement).



COMMANDES ET CONNEXIONS : Defiance V10/V12



1. Commande de réglage

L'interrupteur COMMANDE DE RÉGLAGE permet de régler la façon dont le volume/niveau sera commandé — mode app ou local.

Appli : avec l'interrupteur réglé à « App », toutes les fonctions de commande sont commandées par l'entremise de l'app de commande du caisson de sous-graves.

Local : avec l'interrupteur réglé à « local », le bouton de commande du niveau (volume) est actif.

2. Niveau

Le niveau ajuste le niveau de sortie du caisson de sous-graves afin qu'il corresponde à celui de vos enceintes.

REMARQUE : le bouton de niveau est uniquement actif lorsque la commande de réglage est réglée à Local.

3. Entrée ARC

La connexion ARC USB est utilisée pour raccorder le caisson de sous-graves à un ordinateur/portable lorsque vous utilisez l'ARC (Anthem Room Correction — vendu séparément).

REMARQUE : cela n'est pas nécessaire lorsque vous utilisez l'ARC par l'entremise de Bluetooth.

4. Indicateur de statut

Le caisson de sous-graves est doté d'une DEL multicolore (située à l'arrière) qui indique le statut actuel du caisson de sous-graves.

- Aucune illumination — le caisson de sous-graves n'est pas allumé
- Blanche — le caisson de sous-graves est allumé
- Rouge — le caisson de sous-graves est en mode « veille »
- Clignotante — le caisson de sous-grave a détecté une erreur de code.

5. Mode d'alimentation

L'interrupteur de mode d'alimentation vous permet de commander la façon dont le caisson de sous-graves s'allume et s'éteint.

- Auto — lorsqu'il est réglé à « Auto », le caisson de sous-graves s'allume quand il détecte un signal audio.

REMARQUE : après plusieurs minutes d'inactivité, le caisson de sous-grave bascule en mode veille.

- On (allumé) — lorsqu'il est réglé à « On », le caisson de sous-graves sera toujours allumé.

COMMANDES ET CONNEXIONS :

Defiance V10/V12 (suite)

REMARQUE : si le caisson de sous-graves entre en mode Veille pendant la lecture de matériel audio calme ou de faible niveau, cela est probablement dû à un faible signal de sortie audio provenant de votre système audio. Le fait d'augmenter le volume du système devrait relancer la lecture normale du caisson de sous-graves. Le fait d'augmenter le niveau de sortie du caisson de sous-graves sur le préamplificateur ou récepteur et de diminuer le niveau sur le caisson de sous-graves permettra de résoudre ce problème à l'avenir pour des niveaux d'écoute semblable.

6. Entrées niveau d'enceinte (gauche/droite)

Les entrées de niveau d'enceinte permettent d'utiliser un câble d'enceinte standard pour le raccordement du caisson de sous-graves. Pour utiliser ces connexions, le câble d'enceinte doit se terminer par une prise de type banane.

REMARQUE : la configuration de la commande du Filtre de passe basse est appliquée au signal reçu par ces entrées.

7. Entrée niveau de ligne (gauche/droite)

L'entrée de niveau de ligne permet d'utiliser Main-Out ou Pre-Out sur votre préamplificateur ou récepteur pour le raccordement du caisson de sous-graves.

REMARQUE : la configuration de la commande du Filtre de passe basse est appliquée au signal reçu par ces entrées.

8. Entrées niveau d'enceinte (LFE)

L'entrée de niveau de ligne LFE permet d'utiliser LFE Out/Sub-Out sur votre préamplificateur ou récepteur pour le raccordement du caisson de sous-graves.

REMARQUE : le filtre de passe basse doit être réglé à Bypass (contournement). Les signaux LFE sont commandés à partir de votre préamplificateur ou récepteur. Par défaut, le filtre de passe basse est réglé à Bypass (contournement).

9. Entrée du module sans fil Defiance WT (vendu séparément)

Le module sans fil Defiance WT permet l'intégration du caisson de sous-graves sans fil.

10. Raccordement de l'alimentation CA



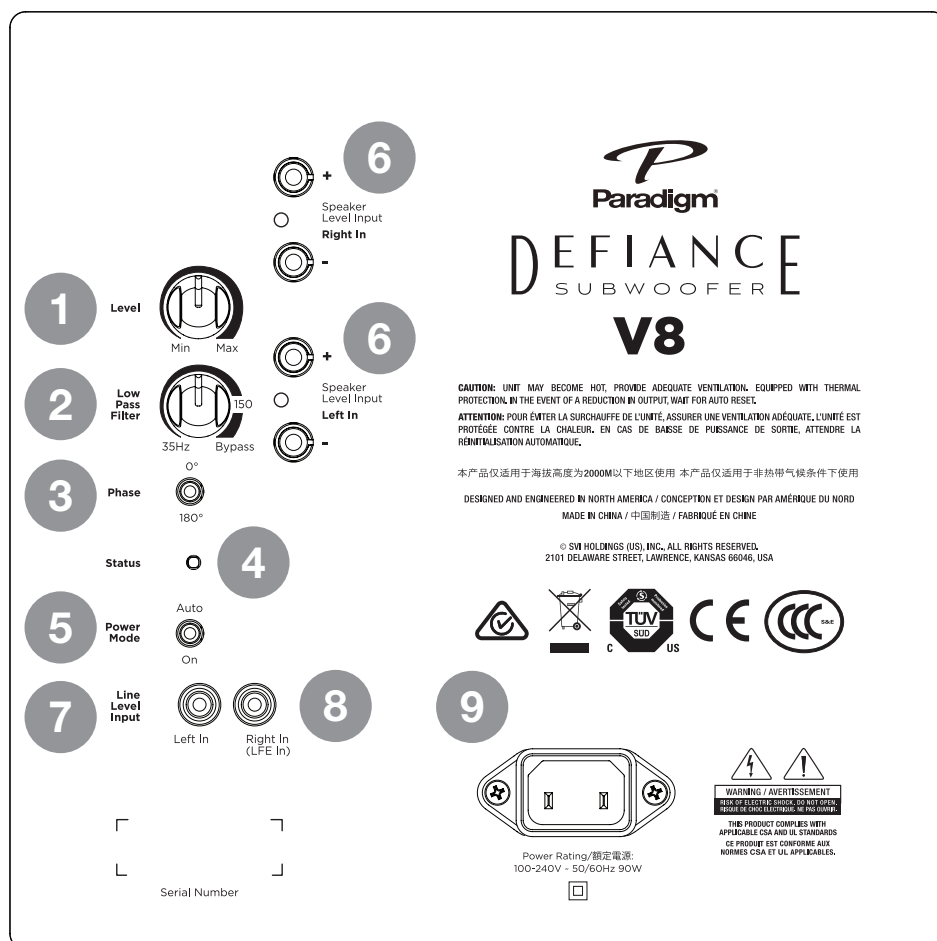
MISE EN GARDE : le cordon d'alimentation ne doit pas être installé, enlevé ou laissé détaché du caisson de sous-graves lorsque l'autre extrémité est raccordée à une source d'alimentation CA.

Le cordon d'alimentation IEC doit être fermement inséré dans la prise d'alimentation CA située sur le panneau arrière du caisson de sous-graves. Il doit ensuite être branché dans une prise murale CA.

REMARQUE : le caisson de sous-graves est également doté d'un capteur de signal d'alimentation électrique qui s'éteint automatiquement si aucun signal musical n'est capté pendant plusieurs minutes (cela se produira lorsque l'interrupteur d'alimentation est réglé à « Auto »).

MISE EN GARDE : le cordon d'alimentation ne doit pas être installé, enlevé ou laissé détaché du caisson de sous-graves lorsque l'autre extrémité est raccordée à une source d'alimentation CA.

COMMANDES ET CONNEXIONS : Defiance V8



1. Niveau

Le niveau ajuste le niveau de sortie du caisson de sous-graves afin qu'il corresponde à celui de vos enceintes.

REMARQUE : le bouton de niveau est uniquement actif lorsque la commande de réglage est réglée à Local.

2. Filtre de passe basse

Le filtre de niveau de passe basse commande la coupure de fréquence supérieure du caisson de sous-graves.

On peut le régler pour qu'il corresponde au déploiement de basse fréquence de vos enceintes avant.

Exemple : si vos enceintes avant jouent à environ 80Hz, vous pouvez régler la fréquence du filtre de passe basse du caisson de sous-graves à environ 80Hz.

REMARQUE : le filtre de passe basse doit être réglé à Bypass (contournement) si un répartiteur (crossover) a été réglé dans votre préamplificateur ou récepteur.

3. Phase (0 ou 180°)

L'interrupteur de phase inverse le signal de basse fréquence pour synchroniser le caisson de sous-graves avec les enceintes avant.

Exemple : le son provenant de votre caisson de sous-graves peut arriver à la position d'écoute hors de son alignement avec les enceintes avant, ce qui entraîne une diminution perçue des graves.

REMARQUE : l'interrupteur de phase doit être réglé à 0 pour la plupart des applications.

4. Indicateur de statut

Le caisson de sous-graves est doté d'une DEL multicolore (située à l'arrière) qui indique le statut actuel du caisson de sous-graves.

- Aucune illumination — le caisson de sous-graves n'est pas allumé.
- Blanche — le caisson de sous-graves est allumé.
- Rouge — le caisson de sous-graves est en mode « veille ».
- Clignotante — le caisson de sous-graves a détecté une erreur de code.

5. Mode d'alimentation

L'interrupteur de mode d'alimentation vous permet de commander la façon dont le caisson de sous-graves s'allume et s'éteint.

- Auto — lorsqu'il est réglé à « Auto », le caisson de sous-graves s'allume quand il détecte un signal audio.

REMARQUE : après plusieurs minutes d'inactivité, le caisson de sous-graves bascule en mode veille.

- On (allumé) — lorsqu'il est réglé à « On », le caisson de sous-graves sera toujours allumé.

COMMANDES ET CONNEXIONS :

Defiance V8 (suite)

REMARQUE : si le caisson de sous-graves entre en mode Veille pendant la lecture de matériel audio calme ou de faible niveau, cela est probablement dû à un faible signal de sortie audio provenant de votre système audio. Le fait d'augmenter le volume du système devrait relancer la lecture normale du caisson de sous-graves. Le fait d'augmenter le niveau de sortie du caisson de sous-graves sur le préamplificateur ou récepteur et de diminuer le niveau sur le caisson de sous-graves permettra de résoudre ce problème à l'avenir pour des niveaux d'écoute semblable.

6. Entrées niveau d'enceinte (gauche/droite)

Les entrées de niveau d'enceinte permettent d'utiliser un câble d'enceinte standard pour le raccordement du caisson de sous-graves. Pour utiliser ces connexions, le câble d'enceinte doit se terminer par une prise de type banane.

REMARQUE : la configuration de la commande du Filtre de passe basse est appliquée au signal reçu par ces entrées.

7. Entrée niveau de ligne (gauche/droite)

L'entrée de niveau de ligne permet d'utiliser Main-Out ou Pre-Out sur votre préamplificateur ou récepteur pour le raccordement du caisson de sous-graves.

REMARQUE : la configuration de la commande du Filtre de passe basse est appliquée au signal reçu par ces entrées.

8. Entrée niveau de ligne (gauche/droite)

L'entrée de niveau de ligne LFE permet d'utiliser LFE Out/Sub-Out sur votre préamplificateur ou récepteur pour le raccordement du caisson de sous-graves.

REMARQUE : le filtre de passe basse doit être réglé à Bypass (contournement). Les signaux LFE sont commandés à partir de votre préamplificateur ou récepteur.

9. Raccordement de l'alimentation CA



MISE EN GARDE : le cordon d'alimentation ne doit pas être installé, enlevé ou laissé détaché du caisson de sous-graves lorsque l'autre extrémité est raccordée à une source d'alimentation CA.

Le cordon d'alimentation IEC doit être fermement inséré dans la prise d'alimentation CA située sur le panneau arrière du caisson de sous-graves. Il doit ensuite être branché dans une prise murale CA.

REMARQUE : le caisson de sous-graves est également doté d'un capteur de signal d'alimentation électrique qui s'éteint automatiquement si aucun signal musical n'est capté pendant plusieurs minutes (cela se produira lorsque l'interrupteur d'alimentation est réglé à « Auto »).



RÉGLAGES FIN : Defiance V10/V12

Pour effectuer le réglage fin du Paradigm Defiance V10 ou V12, vous aurez besoin de l'application Paradigm Subwoofer App.

Vous pouvez la télécharger à partir d'Apple App Store ou de Google Play Store. Vous pouvez effectuer tous les ajustements à l'aide de cette application.

CONSEIL : les étapes de réglage ci-dessous peuvent être utilisées comme guide lorsque vous ajustez les paramètres par l'entremise de l'application. Les commandes de l'application correspondent aux descriptions et aux fonctions décrites dans “**Réglage des commandes du caisson de sous-graves**” (voir pages 30 et 31).

RÉGLAGES FIN : Defiance V8

Une fois que les enceintes sont placées dans la pièce, que la distance des enceintes est établie et que les niveaux d'enceinte ont été calibrés par l'entremise du processeur ou du récepteur AV, il est temps de faire un réglage fin.

Lorsque vous effectuez le réglage fin de votre caisson de sous-graves pour l'intégrer de la meilleure façon au reste de votre système, utilisez des contenus musicaux et vidéo que vous connaissez bien. Ces contenus doivent comprendre des sélections avec des graves étendues de nature continue ou répétitive.

Évaluez la sortie des graves du caisson de sous-graves pour obtenir la meilleure intégration avec vos enceintes principales. Les graves ne doivent pas être envahissantes ou attirer l'attention sur elles, et elles ne doivent pas être minces ou difficiles à entendre. Elles doivent ajouter du « poids » et du « punch » au son général et suivre le rythme des enceintes principales.

Si vous utilisez un préamplificateur ou récepteur pour régler les points de répartiteur, commencez avec 80Hz et ajustez le **Filtre de passe basse (Low Pass Filter)** en fonction des instructions sur la commande du **Filtre de passe basse** dans “**Réglage des commandes du caisson de sous-graves**” (voir pages 30 et 31).

Si vous utilisez un préamplificateur ou récepteur avec commandes de ton, réglez-les à plat (c.-à-d. : 0) et éteignez les commandes d'intensité sonore (loudness).

Certaines positions de caisson de sous-graves peuvent entraîner des annulations de basse fréquence. Si le son des graves est disloqué ou faible, réglez la **Phase** conformément aux instructions de commande de l'alignement de la **Phase** qui suivent dans “**Réglage des commandes du caisson de sous-graves**” (voir pages 30 et 31).

RÉGLAGE DES COMMANDES DU CAISSON DE SOUS-GRAVES

(Répartiteur réglé par l'entremise du préamplificateur ou récepteur)

1. Tournez la commande **Level (niveau)** entièrement dans le sens antihoraire jusqu'à son minimum.
2. **DEFIANCE V8 UNIQUEMENT** : Tournez la commande **Low Pass Filter (Filtre de passe basse)** à sa fréquence la plus élevée (c.-à-d. : Bypass (contournement)).
3. Écoutez un contenu de musique ou vidéo avec des graves en étant assis dans votre aire d'écoute principale et demandez à un assistant d'augmenter la commande **Level (niveau)** jusqu'à ce que vous entendiez clairement le caisson de sous-graves.
4. Tournez la commande **Level (niveau)** entièrement dans le sens antihoraire jusqu'à son minimum.
5. Tournez lentement la commande **Level (niveau)** jusqu'à ce que vous obteniez un jumelage entre le volume du caisson de sous-graves et le volume de vos enceintes avant. Les graves doivent être clairement audibles, mais pas intrusives.

REMARQUE : Si vous avez un calibre de niveau de pression acoustique, réglez-le à 80, LENT et pondéré à C. Ensuite, activez les tonalités de test du caisson de sous-graves sur votre préamplificateur ou récepteur. Répétez **l'étape 7** jusqu'à ce que le calibre indique 75dB.

RÉGLAGE DES COMMANDES DU CAISSON DE SOUS-GRAVES

(Méthode répartiteur local)

1. Tournez la commande **Level (niveau)** entièrement dans le sens antihoraire jusqu'à son minimum.
2. **DEFIANCE V8 UNIQUEMENT** : Tournez la commande **Low Pass Filter (Filtre de passe basse)** à sa fréquence la plus élevée (c.-à-d. : Bypass (contournement)).
3. Écoutez un contenu de musique ou vidéo avec des graves en étant assis dans votre aire d'écoute principale et demandez à un assistant d'augmenter la commande **Level (niveau)** jusqu'à ce que vous entendiez clairement le caisson de sous-graves.
4. Tournez la commande **Level (niveau)** entièrement dans le sens antihoraire jusqu'à son minimum.
5. **DEFIANCE V8 UNIQUEMENT** : Tournez la commande **Low Pass Filter (Filtre de passe basse)** à sa fréquence la plus élevée (c.-à-d. : 35Hz).
6. Tournez lentement la commande **Level (niveau)** jusqu'à ce que vous obteniez un jumelage entre le volume du caisson de sous-graves et le volume de vos enceintes avant. Les graves doivent être clairement audibles, mais pas intrusives.
7. **DEFIANCE V8 UNIQUEMENT** : Tournez lentement la commande **Low Pass Filter (Filtre de passe basse)** jusqu'à ce que vous entendiez la meilleure intégration caisson de sous-graves/enceinte avant. Si le son est trop mince, vous n'avez pas réglé la fréquence assez haut; si le son est trop résonant, vous avez réglé la fréquence trop haut. Ajustez jusqu'à ce que vous trouviez l'équilibre des graves le plus naturel.

REMARQUE : si vous avez un calibre de niveau de pression acoustique, réglez-le à 80, LENT et pondéré à C. Ensuite, activez les tonalités de test du caisson de sous-graves sur votre préamplificateur ou récepteur. Répétez l'étape 8 jusqu'à ce que le calibre indique 75dB.

ARC^{MD} (ANTHEM ROOM CORRECTION) (vendu séparément) : Defiance V10/V12 UNIQUEMENT

Une véritable solution scientifique aux problèmes de la pièce

Même lorsque les meilleures enceintes sont parfaitement positionnées, la pièce elle-même peut avoir un effet important sur tout système de son, et un impact encore plus grand que toute autre composante individuelle. De nombreuses solutions sont apparues et disparues au fil des années, mais aucune n'a résolu le problème de la « pièce », jusqu'à l'apparition de la technologie Anthem Room Correction (ARC).

La technologie ARC est un système de traitement du signal numérique exclusif qui vous permet d'optimiser de façon rapide et exacte le rendement de votre équipement audio afin de mieux l'adapter aux paramètres uniques de votre pièce.

En écoutant la signature acoustique de votre pièce, l'ARC peut mettre au point votre équipement afin de corriger les effets qui nuisent au rendement (réflexions, résonances, ondes stationnaires, etc.) des différentes surfaces et des autres obstacles dans votre pièce.

L'ARC est facile à utiliser, et quelques étapes simples peuvent optimiser votre caisson de sous-graves en fonction de votre espace d'écoute unique. L'ARC est sophistiqué; il s'agit de l'une des technologies de correction numérique de la pièce parmi les plus précises et détaillées actuellement disponibles sur le marché. L'ARC fonctionnera également dans le futur, grâce aux avancées et aux mises à jour constantes disponibles en téléchargement sur le site Web d'Anthem. À présent, il y a TROIS façons d'étalonner votre système à l'aide de l'ARC ou de l'ARC Mobile; chacune de ces méthodes ne prend que quelques minutes.



IMPORTANT! L'aire d'écoute doit être silencieuse pendant l'exécution de l'ARC. Un ventilateur d'ordinateur bruyant, un lave-vaisselle ou un four à micro-ondes en marche, etc. peuvent avoir un effet négatif sur les mesures de l'ARC.

ARC^{MD} (ANTHEM ROOM CORRECTION) (vendu séparément) : Defiance V10/V12 UNIQUEMENT *(suite)*

FACILE

Exigences :

- Appareil iOS
- Application ARC Mobile

Téléchargez l'application ARC Mobile d'Anthem sur un appareil iOS. Cette méthode utilise le microphone intégré de votre appareil iOS pour les mesures.

Cette méthode vous offre une démarche étape par étape par l'entremise de l'application.

INTERMÉDIAIRE

Méthode pour les utilisateurs de périphériques Apple iOS

Exigences :

- Appareil iOS
- Application ARC Mobile
- Microphone universel ARC
(vendu séparément — consultez votre revendeur Paradigm pour plus de détails)

Téléchargez l'application ARC Mobile d'Anthem sur un appareil iOS. Lancez l'application ARC et choisissez « ARC Universal Microphone »; branchez le câble 3,5 mm fourni de votre appareil iOS au microphone universel ARC pour prendre les mesures.

Cette méthode vous offre une démarche étape par étape par l'entremise de l'application.

Méthode pour les utilisateurs de périphériques Android

Exigences :

- Appareil Android
- Application ARC Mobile
- Microphone universel ARC
(vendu séparément — consultez votre revendeur Paradigm pour plus de détails)

- OTG USB Adapter
(vendu séparément — consultez votre revendeur Paradigm pour plus de détails)

Download Anthem's ARC Mobile app to an Android device. Run the ARC app and connect the USB OTG adapter from your Android device to the ARC Universal Microphone for measurements.

Cette méthode vous offre une démarche étape par étape par l'entremise de l'application.

PROFESSIONNEL

Exigences :

- PC Microsoft Windows
- Logiciel ARC pour PC
- Microphone universel ARC
(vendu séparément — consultez votre revendeur Paradigm pour plus de détails)

Téléchargez et installez le logiciel ARC d'Anthem sur votre PC Windows. Branchez le microphone ARC pour PC étalonné ou le microphone ARC universel à votre PC Windows, puis branchez votre enceinte ou vos appareils électroniques compatibles ARC avec un deuxième câble USB ou par une connexion réseau.

Après avoir lancé les mesures, vous pouvez personnaliser les résultats, établir des configurations multiples et imprimer les graphiques de courbe de correction.

GARANTIE LIMITÉE

Les caissons de sous-graves Paradigm : Les caissons de sous-graves Paradigm mentionnés dans ce manuel sont garantis contre les défauts de matériaux et de fabrication pendant une période de trois (3) ans à compter de la date d'achat du matériel neuf.

Durant cette période, la réparation, le remplacement ou le réglage de pièces pour des défauts de matériaux ou de fabrication ne seront pas à la charge du premier acheteur.

Système sans fil Defiance WT (vendu séparément): Vous trouverez des détails sur la garantie du **système sans fil Defiance WT** dans le manuel de l'utilisateur du **système sans fil Defiance WT**.

Les dommages causés par l'exposition abusive à la chaleur ou l'usage abusif ne sont pas couverts par la présente garantie.

Restrictions :

- La garantie entre en vigueur à la date d'achat d'origine chez un revendeur autorisé Paradigm seulement. La garantie n'est pas transférable.
- La garantie s'applique au produit pour une utilisation résidentielle normale uniquement. Si le produit est assujéti à l'une des conditions définies dans le paragraphe suivant, la garantie est nulle.
- La garantie ne s'applique pas à un usage commercial ou professionnel. La garantie est annulée si :
- Le produit est assujéti à un usage abusif (accidentel ou intentionnel);
- Le produit est utilisé avec du matériel défectueux ou inadéquat;
- Le produit est soumis à des signaux électriques dommageables, un transport dangereux, des dommages mécaniques ou toute autre condition anormale;
- Le produit (y compris le boîtier) est altéré ou endommagé lors d'une réparation non autorisée;
- La plaque du numéro de série de l'enceinte est enlevée ou défigurée. Responsabilités du propriétaire :
- Apporter un soin et un entretien normaux et raisonnables;
- Fournir ou assumer les frais de transport jusqu'à l'atelier de réparation;

- Fournir une preuve d'achat (conserver le reçu fourni lors de l'achat par le revendeur autorisé Paradigm). Si une réparation est nécessaire, contacter le revendeur autorisé Paradigm, Paradigm Electronics Inc. ou le distributeur à l'étranger (à l'extérieur du Canada et des États-Unis) pour planifier l'envoi prépayé de l'appareil défectueux. Consulter le site Web www.paradigm.com pour plus d'information. Paradigm Electronics inc. se réserve le droit d'améliorer la conception de tout produit sans obligations de modifier tout produit déjà fabriqué. La présente garantie tient en lieu et place de toute autre garantie, explicite ou implicite, de qualité marchande et d'adéquation pour tout usage particulier, et ne peut être élargie ou étendue par quiconque. Paradigm Electronics inc. et ses représentants ou agents ne peuvent pas être tenus responsables de dommages découlant de l'utilisation de ces produits en aucun cas. Dans les territoires où une réglementation spécifique interdit une telle limitation de la responsabilité, cette exclusion ne s'applique pas. Conserver le présent manuel et le reçu comme preuve d'achat et de garantie.

