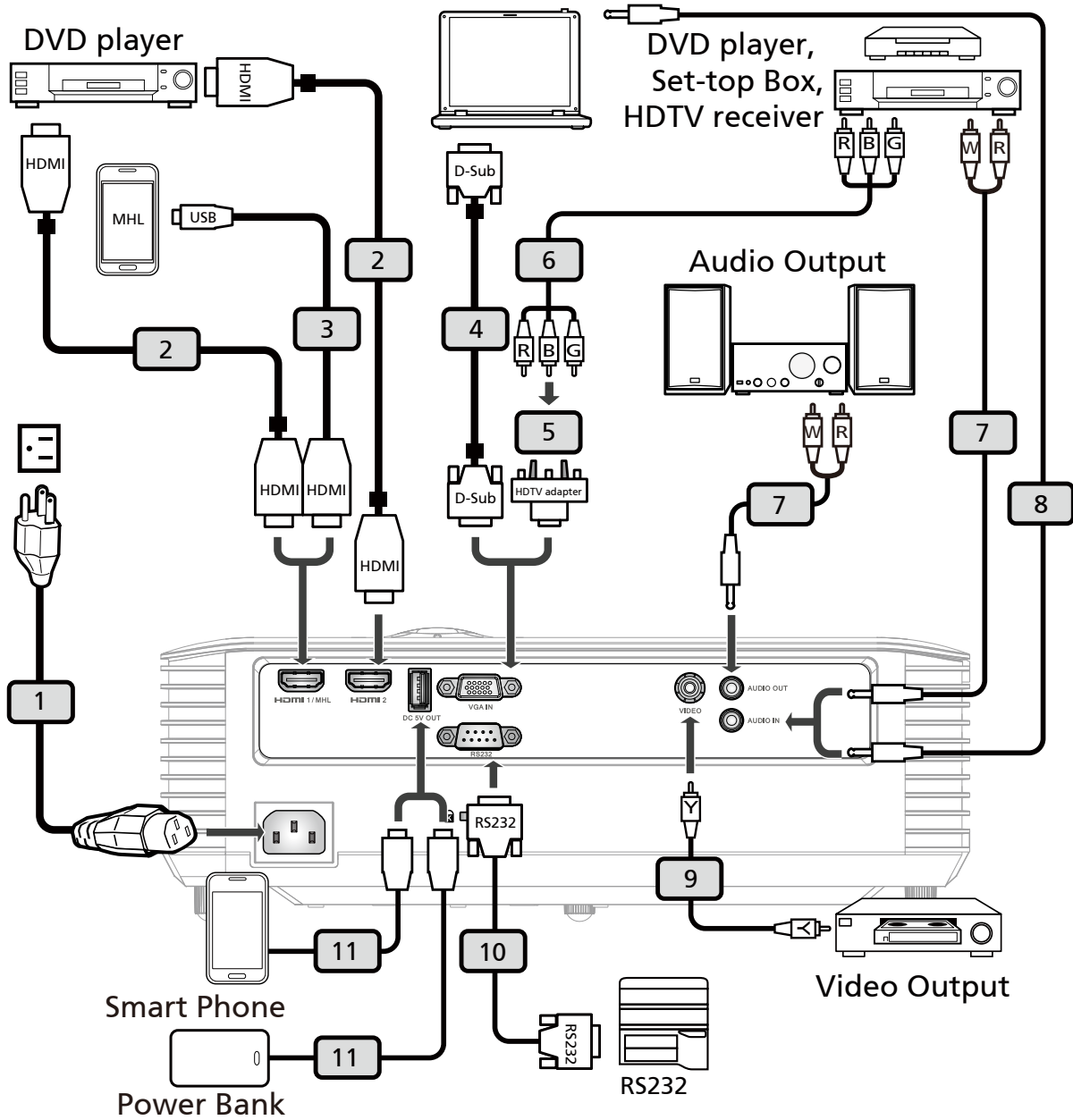


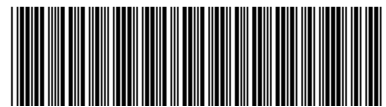
INSTALLATION



Note: Functions vary depending on model definition.



Scan to get user's manual



36.7AR02H001-A
P/N:MC.JPV11.007

SPECIFICATIONS

Projection system	DLP®
Resolution	<ul style="list-style-type: none"> X118/X118AH/X118H/X1186G/D606/D606B/D606D/EV-S65/EV-S65A/EV-S65H/V36S/V36SB/V36SC/AS319/AS319D/AS319E/DX112/DX112C/DX112G/BS-012/BS-012E/BS-012K/KS316/KS316AK/S316B/DSV1725/DSV1726/DSV1727 series: 800x600 SVGA resolution X1623H/D860D/EV-WU80H/V50U/AU540/DX620/BS-520/KU330/DWU1729/H6540BD/E156D/HE-806J/GM532/VH-432/D1P1719 WUXGA resolution
Computer compatibility	<ul style="list-style-type: none"> Maximum: UXGA (1600 x 1200), WSXGA+ (1680x1050), 1080p(1920x1080), WUXGA-RB (1920 x 1200)
Video compatibility	IBM PC and compatibles, Apple Macintosh, iMac and VESA standards: SXGA, XGA, VGA, SVGA, SXGA+, WXGA, WXGA+, WSXGA +
Aspect ratio	NTSC (3.58/4.43), PAL (B/D/G/H/I/M/N), SECAM (B/D/G/K/K1/L), HDTV (720p, 1080i, 1080p), EDTV (480p, 576p), SDTV (480i, 576i)
Displayable colors	Auto, 4:3, 16:9, L.Box
Optical zoom ratio	1.07 billion colors
Throw ratio	<ul style="list-style-type: none"> X118/X118AH/X118H/X1186G/D606/D606B/D606D/EV-S65/EV-S65A/EV-S65H/V36S/V36SB/V36SC/AS319/AS319D/AS319E/DX112/DX112C/DX112G/BS-012/BS-012E/BS-012K/KS316/KS316AK/S316B/DSV1725/DSV1726/DSV1727 series: 1.1X X1623H/D860D/EV-WU80H/V50U/AU540/DX620/BS-520/KU330/DWU1729/H6540BD/E156D/HE-806J/GM532/VH-432/D1P1719 series: 1.3X
Projection lens	<ul style="list-style-type: none"> X118/X118AH/X118H/X1186G/D606/D606B/D606D/EV-S65/EV-S65A/EV-S65H/V36S/V36SB/V36SC/AS319/AS319D/AS319E/DX112/DX112C/DX112G/BS-012/BS-012E/BS-012K/KS316/KS316AK/S316B/DSV1725/DSV1726/DSV1727 series: 1.94 ~ 2.16 (51" @ 2m) X1623H/D860D/EV-WU80H/V50U/AU540/DX620/BS-520/KU330/DWU1729/H6540BD/E156D/HE-806J/GM532/VH-432/D1P1719 series: 1.58 ~ 2.06 (59" @ 2m)
Projection screen size (diagonal)	<ul style="list-style-type: none"> X118/X118AH/X118H/X1186G/D606/D606B/D606D/EV-S65/EV-S65A/EV-S65H/V36S/V36SB/V36SC/AS319/AS319D/AS319E/DX112/DX112C/DX112G/BS-012/BS-012E/BS-012K/KS316/KS316AK/S316B/DSV1725/DSV1726/DSV1727 series: F = 2.41 ~ 2.53, f = 21.85mm ~ 24.01mm, Manual Zoom & Focus X1623H/D860D/EV-WU80H/V50U/AU540/DX620/BS-520/KU330/DWU1729/H6540BD/E156D/HE-806J/GM532/VH-432/D1P1719 series: 23" ~ 300" (58cm ~ 762cm)
Projection distance	<ul style="list-style-type: none"> X118/X118AH/X118H/X1186G/D606/D606B/D606D/EV-S65/EV-S65A/EV-S65H/V36S/V36SB/V36SC/AS319/AS319D/AS319E/DX112/DX112C/DX112G/BS-012/BS-012E/BS-012K/KS316/KS316AK/S316B/DSV1725/DSV1726/DSV1727 series: 1.0m ~ 11.8m (3.3' ~ 38.8') X1623H/D860D/EV-WU80H/V50U/AU540/DX620/BS-520/KU330/DWU1729/H6540BD/E156D/HE-806J/GM532/VH-432/D1P1719 series: 1.0m ~ 10.2m (3.3' ~ 33.6')
Horizontal scan rate	23" ~ 300" (58cm ~ 762cm)
Vertical refresh scan rate	15 - 100 kHz
Lamp type	24 - 120 Hz
Audio	<ul style="list-style-type: none"> X118/X118AH/X118H/X1186G/D606/D606B/D606D/EV-S65/EV-S65A/EV-S65H/V36S/V36SB/V36SC/AS319/AS319D/AS319E/DX112/DX112C/DX112G/BS-012/BS-012E/BS-012K/KS316/KS316AK/S316B/DSV1725/DSV1726/DSV1727 series: 203 W user-replaceable lamp X1623H/D860D/EV-WU80H/V50U/AU540/DX620/BS-520/KU330/DWU1729/H6540BD/E156D/HE-806J/GM532/VH-432/D1P1719 series: 250 W user-replaceable lamp
Weight	<ul style="list-style-type: none"> X118H/D606D/EV-S65H/V36S/AS319/DX112/BS-012/KS316/DSV17256 series: Internal speaker with 3W x 1 output X1623H/D860D/EV-WU80H/V50U/AU540/DX620/BS-520/KU330/DWU1729/H6540BD/E156D/HE-806J/GM532/VH-432/D1P1719 series: Internal speaker with 10W x 1 output
	<ul style="list-style-type: none"> X118/X118AH/X118H/X1186G/D606/D606B/D606D/EV-S65/EV-S65A/EV-S65H/V36S/V36SB/V36SC/AS319/AS319D/AS319E/DX112/DX112C/DX112G/BS-012/BS-012E/BS-012K/KS316/KS316AK/S316B/DSV1725/DSV1726/DSV1727 series: 2.7 Kg (5.95 lbs) X1623H/D860D/EV-WU80H/V50U/AU540/DX620/BS-520/KU330/DWU1729/H6540BD/E156D/HE-806J/GM532/VH-432/D1P1719 series: 3.1 Kg (6.83 lbs)

Dimensions (W x D x H) (with feet)	<ul style="list-style-type: none"> X118/X118AH/X118H/X1186G/D606/D606B/D606D/EV-S65/EV-S65A/EV-S65H/V36S/V36SB/V36SC/AS319/AS319D/AS319E/DX112/DX112C/DX112G/BS-012/BS-012E/BS-012K/KS316/KS316AK/S316B/DSV1725/DSV1726/DSV1727 series: 313mm x 240mm x 113.7mm (12.3" x 9.4" x 4.5") X1623H/D860D/EV-WU80H/V50U/AU540/DX620/BS-520/KU330/DWU1729/H6540BD/E156D/HE-806J/GM532/VH-432/D1P1719 series: 313mm x 240mm x 110.7mm (12.3" x 9.4" x 4.3")
Digital Zoom	2x
Power supply	AC input 100 - 240 V auto-switching power supply
Power consumption	<ul style="list-style-type: none"> X118/X118AH/X118H/X1186G/D606/D606B/D606D/EV-S65/EV-S65A/EV-S65H/V36S/V36SB/V36SC/AS319/AS319D/AS319E/DX112/DX112C/DX112G/BS-012/BS-012E/BS-012K/KS316/KS316AK/S316B/DSV1725/DSV1726/DSV1727 series: Normal mode: 240W ± 10% @ 110VAC ECO mode: 195W ± 10% @ 110VAC Standby mode < 0.5W X1623H/D860D/EV-WU80H/V50U/AU540/DX620/BS-520/KU330/DWU1729/H6540BD/E156D/HE-806J/GM532/VH-432/D1P1719 series: Normal mode: 300W ± 10% @ 110VAC ECO mode: 210W ± 10% @ 110VAC Standby mode < 0.5W
Operating temperature	0°C to 40°C / 32°F to 104°F
Standard package contents	<ul style="list-style-type: none"> AC power cord x1 Remote control x1 Security card x1 (option) AAA battery x2 (for remote control) (option) User's guide (Projector)(CD-ROM) x1 (option) Quick start guide (Projector) x1 VGA cable x1 (option) HDMI cable x1 (option) Carrying case x1 (option)

I/O connectors	X118/D606/EV-S65/ V36SC/AS319D/ DX112G/BS-012E/ KS316B/X1186G/ DSV1727	X118AH/D606B/ EV-S65A/V36SB/ AS319E/DX112C/ BS-012K/KS316A/ DSV1726	X118H/D606D/ EV-S65H/V36S/ AS319/DX112/ BS-012/KS316/ DSV1725	H6540BD/E156D/HE-806J/ GM532/VH-432/D1P1719/ X1623H/D860D/EV-WU80H/ V50U/AU540/DX620/BS-520/ KU330/DWU1729
• Power socket	V	V	V	V
• VGA IN	V	X	V	V
• HDMI	X	V	V	X
• HDMI 2	X	X	X	V
• HDMI 1/MHL	X	X	X	V
• Composite video	X	X	V	V
• RS232	X	X	X	V
• 3.5 mm audio jack input	X	X	V	V
• 3.5 mm audio jack output	X	X	X	V
• 5V DC output	V	V	V	V

Note:

- The specifications listed above are subject to change without notice.
- Find manuals and other documents for your Acer product on the official Acer support website.

X118/X118AH/X118H/X1186G/D606/D606B/D606D/
EV-S65/EV-S65A/EV-S65H/V36S/V36SB/V36SC/AS319/
AS319D/AS319E/DX112/DX112C/DX112G/
BS-012/BS-012E/BS-012K/KS316/KS316AK/S316B/
DSV1725/DSV1726/DSV1727

Consumo de Energia

En Operation: 244.46 Wh (244,46Wh)

En modo de espera: 0.41 Wh (0,41 Wh)

X1623H/D860D/EV-WU80H/V50U/AU540/DX620/
BS-520/KU330/DWU1729/H6540BD/E156D/HE-806J/
GM532/VH-432/D1P1719

Consumo de Energia

En Operation: 310.56 Wh (310,56Wh)

En modo de espera: 0.43 Wh (0,43 Wh)