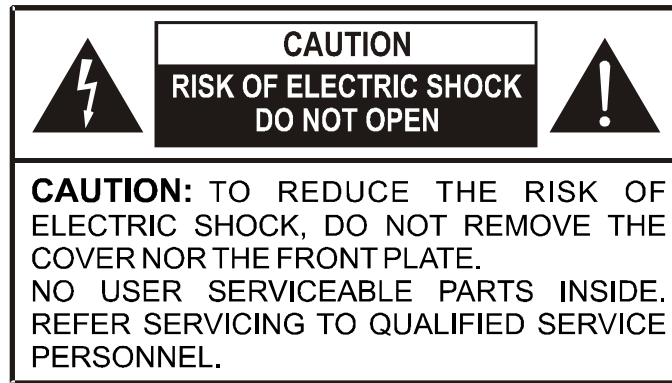


EN USER MANUAL
ES MANUAL DE INSTRUCCIONES
FR NOTICE D'UTILISATION
DE BEDIENUNGSANLEITUNG

MIM088

DIGITAL MATRIX

 **wecler**



Graphic Symbol Explanation



The lightning flash with arrowhead symbol, within an equilateral triangle, is intended to alert the user to the presence of uninsulated “dangerous voltage” within the product’s enclosure that may be of sufficient magnitude to constitute a risk of electric shock to persons.



The exclamation point within an equilateral triangle is intended to alert the user to the presence of important operating and maintenance (servicing) instructions in the literature accompanying the appliance.



The lightning flashes printed next to the OUTPUT terminals of the amplifier are intended to alert the user to the risk of hazardous energy. Output connectors that could pose a risk are marked with the lightning flash. Do not touch output terminals while amplifier power is on. Make all connections with amplifier turned off.

WARNING: To prevent fire or shock hazard, do not expose this equipment to rain or moisture.

IMPORTANT SAFETY INSTRUCTIONS

1. Read these instructions.
2. Keep these instructions.
3. Heed all warnings.
4. Follow all instructions.
5. Do not use this apparatus near water.
6. Clean only with dry cloth.
7. Do not block any ventilation openings. Install in accordance with the manufacturer’s instructions.
8. Do not install near any heat sources such as radiators, heat registers, stoves, or other apparatus (including amplifiers) that produce heat.
9. Do not defeat the safety purpose of the polarized or grounding type plug. A polarized plug has two blades with one wider than the other. A grounding type plug has two blades and a third grounding prong. The wide blade or the third prong are provided for your safety. If the provided plug does not fit into your outlet, consult an electrician for replacement of the obsolete outlet.
10. Protect the power cord from being walked on or pinched particularly at the plugs, convenience receptacles, and at the point where they exit from the apparatus.
11. Only use attachments/accessories specified by the manufacturer.
12. Unplug the apparatus during lightning storms or when unused for long periods of time.
13. Refer all servicing to qualified personnel. Servicing is required when the apparatus has been damaged in any way, such as power supply cord or plug is damaged, liquid has been spilled or objects have fallen into the apparatus, the apparatus has been exposed to rain or moisture, does not operate normally, or has been dropped.
14. Disconnecting from mains: Switching off the POWER switch (14) all the functions and light indicators of the amplifier will be stopped, but fully disconnecting the device from mains is done unplugging the power cord from the mains input socket (37). For this reason, it always shall remain readily operable.

1. IMPORTANT REMARK	04
1.1. Safety Precautions	04
2. INTRODUCTION	04
3. INSTALLATION	05
3.1. Location, assembly, ventilation	05
3.2. Connection to an AC outlet and switching on	05
3.3. Signal input connections	05
3.4. Audio Output Connections	05
3.5. ETHERNET port for programming and control	06
3.6. LINK BUS digital audio port	06
3.7. REMOTE ports 1 and 2 for digital remote controls	06
3.8. GPI Remote Control Ports	07
3.9. GPO Remote Control Ports	07
3.10. Remote control RS-232 Port	07
3.11. Front panel controls and LED indicators	08
4. CLEANING	08
5. FUNCTION LIST	09
6. FUNCTION DIAGRAM	09
7. TECHNICAL CHARACTERISTICS	34
8. BLOCK DIAGRAM	38

All numbers subject to variation due to production tolerances. ECLER S.A. reserves the right to make changes or improvements in manufacturing or design which may affect specifications.



1. IMPORTANT REMARK

Thank you for your confidence and for choosing our MIMO88 matrix. It is VERY IMPORTANT to carefully read this manual, to fully understand its contents before any connection in order to maximize your use and get the best performance from this equipment.

In order to guarantee the optimum operation of this unit, we strongly recommend that its maintenance be carried out by our Authorized Technical Services.

The MIMO88 come with a 3-year warranty.

1.1. Safety Precautions

This apparatus must be earthed through its mains cable.

Do not expose the unit to rain or water splashes, and do not place liquid containers or incandescent objects like candles on top of the unit.

Should any connection / disconnection task be done, always disconnect the unit from the mains supply.

There are no user serviceable parts inside the unit.



CAUTION: RISK OF ELECTRIC SHOCK. DO NOT OPEN.

2. INTRODUCTION

The MIMO88 is a fully programmable digital audio matrix, with the following features:

- 8 balanced MIC/LINE inputs (independent phantom power per input channel).
- 8 balanced LINE outputs.
- 2 MONITOR outputs that can be used as auxiliaries.
- Expandable to 16 inputs/16 outputs by linking a second MIMO88 unit (getting a real 16 inputs and 16 outputs matrix). Connect the two units using a CAT5 crossover cable (100 meters maximum distance).
- 8 GPI control ports (*General Purpose Input*).
- 8 GPO control ports (*General Purpose Output*).
- Programming and remote management via Ethernet using EclerNet Manager (or point to point, with a direct CAT5 cable, or from an Ethernet network).
- Remote control via Ethernet clients of EclerNet Manager: simultaneous clients with custom control panel.
- Remote control from third party external devices. (Crestron, AMX, Vity, Medialon, etc. Registered trademarks of their manufacturers). TP-NET protocol, via Ethernet or RS-232 ports.
- Remote control bus for WPTOUCH digital panels and MPAGE16 messaging consoles (*paging*).
- Configuration memory (*presets*) management.
- Scheduled events based on calendar.
- Extensive DSP available:
 - Routing matrix/mixer, from any input to any output with adjustable level for crossover points (independent mixes of different inputs for each output).
 - Mono or stereo channel processing.
 - Level control, mute, vu-meters and phase adjustment for inputs and outputs.
 - Internal signal generator (sine wave, pink noise, white noise, polarity test).
 - Parametric EQ on inputs and outputs.
 - Delay on inputs and outputs.
 - Gate/compressor on input channels.
 - Compressor/limiter on outputs.
 - Input channel priority assignment (*ducking*).
 - Virtual and physical messaging consoles (*paging*).
 - Automatic mixer.

The MIMO88 programming is done with EclerNet Manager*. Please refer to the EclerNet Manager software manual for more information.

* EclerNet Manager software is available on www.ecler.com.

3. INSTALLATION

3.1. Location, assembly, ventilation

The MIMO88 has been especially designed to be installed in a standard 19" rack, taking up 1U.

It is very important not to enclose the MIMO88 or expose it to extreme temperatures as it generates heat. It's also necessary to promote the passage of fresh air through the ventilation holes of the chassis, leaving at least one rack unit off between each device and installed above and below it in the rack frame.

If the setup has several amplifiers in the same rack or in a closed cabinet with doors, it is highly recommended to supply them forced ventilation, installing fans at the upper and lower ends. This upward air flow will help to dissipate the heat generated inside.

3.2. Connection to an AC outlet and switching on

The MIMO88 operates under voltages between 90 and 264 V at 47 to 63 Hz. This device features an over dimensioned power supply that adapts to the mains voltage in any country of the world with no need to make any adjustments.

On the rear panel, there is a power switch for the unit (20) next to the IEC power connector. On the front panel, a LED (7) lights up when the unit is switched on.

The mains cables must not be near the shielded cables carrying the audio signal, as this could cause humming.

3.3. Signal input connections

The rear panel of the MIMO88 offers 8 balanced analogue signal inputs, "IN" (9), accepting both line and microphone level signals. Input signal type selection and management are carried out from EclerNet Manager application. Please refer to the EclerNet Manager software manual for more information.

Signal input connectors are 3 position screw terminal block. The wiring is:

- Hot or direct signal > Terminal +
- Cold or inverted signal > Terminal -
- Ground > Terminal ⊥

For unbalanced connection short-circuit pin ⊥ to pin -.

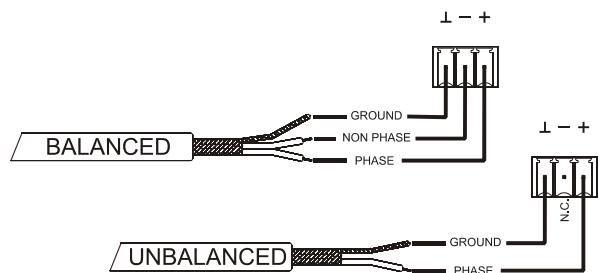
3.4. Audio Output Connections

The rear panel of the MIMO88 offers 8 analogue signal outputs, "OUT" (8), and two additional "MONITOR" (10) outputs, all balanced and accepting line level signals.

Signal output connectors are 3 position screw terminal block. The wiring is:

- Hot or direct signal > Terminal +
- Cold or inverted signal > Terminal -
- Ground > Terminal ⊥

For UNBALANCED connections, leave the – terminal unconnected.



EN 3.5. ETHERNET port for programming and control

A RJ45 type connector (11) allows connecting the equipment to an Ethernet network:

- Management from EclerNet Manager application. Please refer to the EclerNet Manager software manual for more information.
- Possibility of direct connection (point to point) between a computer and a MIMO88 unit.
- Connection to third party other devices. (Crestron, AMX, Vity, Medialon, etc. Registered trademarks of their manufacturers). Protocol used: Ecler TP-NET. See the TP-NET protocol manual for more information.

3.6. LINK BUS digital audio port

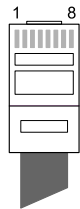
A RJ45 type connector (12) allows connecting the equipment to a second MIMO88 unit for a two-way exchange of digital audio and control data between the two units, the whole behaving as a real matrix with 16 inputs and 16 outputs. The maximum permissible distance between the two units using a standard CAT5 cable is 100 meters.

To work in 16x16 mode, one of the two coupled MIMO88 units (linked by BUS LINK) assumes the role of MASTER and the other one the role of SLAVE. MASTER or SLAVE mode is set by the selector (13) located on the rear panel of each unit. In single MIMO88 setups, selector position is irrelevant.

In 16x16 mode, the two units behave as a single device with 16 inputs and 16 outputs. All Ethernet programming and remote control of the MASTER-SLAVE pair is done with EclerNet Manager application and communication uses the Ethernet port of the MASTER unit only, it's not necessary to use the Ethernet port of the SLAVE unit. (Except for updating the firmware).

Caution: two MIMO88 units coupled by BUS LINK should be linked with a crossover cable, i.e. with a CAT5 cable dedicated to the BUS LINK ports of both units, up to 100 meters long, and without intermediate Ethernet hardware or other. Please refer to the EclerNet Manager software manual for more information.

RJ-45 CONNECTOR WIRING "CROSSOVER"		
RJ-45 (1)	COLOR	RJ-45 (2)
PIN 1	WHITE/ORANGE	PIN 3
PIN 2	ORANGE	PIN 6
PIN 3	WHITE/GREEN	PIN 1
PIN 4	BLUE	PIN 7
PIN 5	WHITE/BLUE	PIN 8
PIN 6	GREEN	PIN 2
PIN 7	WHITE/BROWN	PIN 4
PIN 8	BROWN	PIN 5

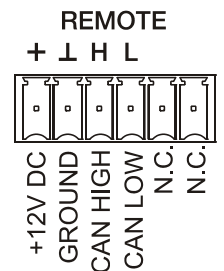


3.7. REMOTE ports 1 and 2 for digital remote controls

The REMOTE 1 and REMOTE 2 ports (14) are two connection points for the digital bus of remote control devices such as WPTOUCH wall panel or MPAGE16 messaging console (*paging*). Each of them can be connected to a digital bus branch, at which the various remote devices will be daisy-chained, the last one being loaded with a 120 Ω termination resistance between CAN HIGH and CAN LOW.

Refer to the remote device documentation (WPTOUCH, MPAGE16, etc) for more information about your connection and controls.

Refer to the EclerNet Manager application manual for more information about MIMO88 programming to manage remote devices connected to REMOTE1 or REMOTE2.



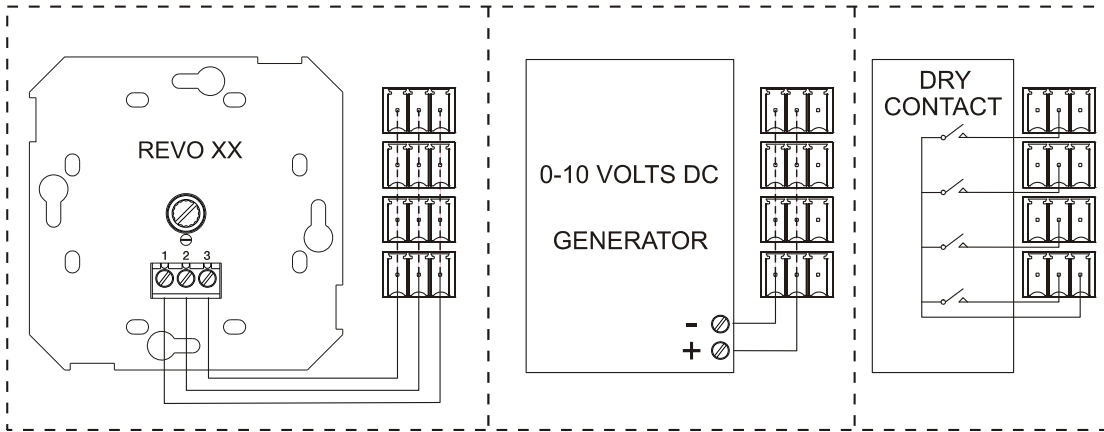
3.8. GPI Remote Control Ports

The rear panel of the MIMO88 offers 8 GPI inputs (16) for 0-10 VDC continuous control voltage. Each of these inputs can be connected to an external physical device (potentiometer, contact closure, continuously variable voltage 0-10V DC, etc.) and assigned to a MIMO88 function, as for example:

- Input, output channel or matrix crosspoint volume remote control by means of a WPVOL physical knob or an Ecler WP Series WPVOL-IR remote control
- MUTE or SOLO activation/deactivation by means of a switch or contact closure
- Recalling a *preset* with a push button or contact closure

GPI connectors are screw terminal blocks with three-contacts. The wiring is as follows:

- Positive, + 10 VDC > Pin +
- Variable voltage, 0-10 VDC > Pin
- Ground > Pin ⊥



Examples of connection

Connecting cables can be up to 500 meters with a minimum section of 0.5 mm².

Consult your ECLER dealer or www.ecler.com about the WP series remote control wall panels and other accessories available for connection to the REMOTE/VCA port.

3.9. GPO Remote Control Ports

The rear panel of the MIMO88 offers 8 NO/NC (normally open/ normally closed) relay outputs (17). Each of these outputs may be assigned to a MIMO88 function, such as a button of EclerNet Manager (MUTE key, SOLO key, etc.). This makes it possible to interact with external devices such as projection screen motors or movable partitions, lights, sirens, other equipment GPI entries, etc.

3.10. Remote control RS-232 Port

The built-in RS-232 port in the rear panel allows an external device to communicate with an MIMO88 unit via a serial connection. Said connection uses the TP-NET protocol syntax so to enable the external device to obtain the value of any of the parameters of the MIMO88 unit (by "GET" commands) and/or modify said values ("SET" commands). See the TP-NET protocol manual for more information.

The serial connection should comply with the following specifications:

- Baud rate: 57600 (fixed, no auto negotiation)
- Data bits: 8
- Parity: None
- Stop bits: 1
- Flow control: None

WIRING RS232 – DB9	
RS232	DB9
Tx	Pin 2 (RxD)
Rx	Pin 3 (TxD)
Gnd	Pin 5 (Signal Gnd)

3.11. Front panel controls and LED indicators

The following elements are available on the MIMO88 front panel:

- MONITOR output (1) (marked with a headphones symbol): it produces the same monitoring signal already available via the rear panel screw terminal block, but here on a ¼" TRS jack and with a rotary volume control (2) for listening through headphones. It is especially useful for listening to input or output signals without disturbing the normal operation. In 16x16 mode both MIMO units receive the same signal. The monitored signal is selected with EclerNet Manager control software. Please refer to the EclerNet Manager software manual for more information.
- Input LED indicators (3): indicate the presence of audio signal at the unit's input, and its intensity level (green, amber and red indicate in this order the increased intensity level)
- Output LED indicators (4): indicate the presence of audio signal at the unit's output, and its intensity level (green, amber and red indicate in this order the increased intensity level)
- Status LED indicators (STATUS):
 - DATA: (5) Off: there is no connection to EclerNet Manager even if connected to Ethernet. On: connected to EclerNet Manager or to other third party application via TP-NET protocol. Flashing: data traffic with EclerNet Manager or another application.
 - LINK: (6)
 1. If the device is configured as 8x8 MASTER, the LED is permanently off.
 2. If the device is configured as 16x16 MASTER:
 - If everything is correct (SLAVE is connected and there is no communication error), the LED quickly and continuously toggles between green (50ms) and unlit (50ms)
 - If there is a communication error with the SLAVE, the LED quickly toggles between green (50ms) and red (200ms)
 - If no SLAVE is connected (or if connected equipment is another MASTER), the LED slowly toggles between green (800ms) and red (200ms)
 3. If the device is configured as SLAVE:
 - If everything is correct (MASTER is connected and there is no communication error), the LED quickly and continuously toggles between orange (50ms) and unlit (50ms)
 - If there is a communication error with the MASTER, the LED quickly toggles between orange (50ms) and red (200ms)
 - If no MASTER is connected (or if connected equipment is another SLAVE), the LED slowly toggles between orange (800ms) and red (200ms)
 - POWER: (7) illuminates when the unit is in operation. It flashes if there is an error in the unit or if firmware is not correct. It also flashes when you update firmware

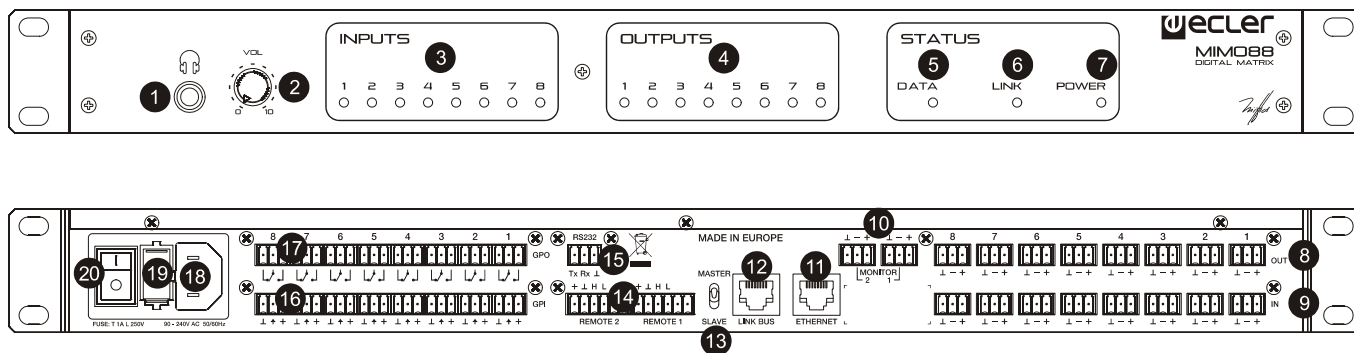
4. CLEANING

The front panel should not be cleaned with dissolvent or abrasive substances because silk-printing could be damaged. To clean it, use a soft cloth slightly wet with water and neutral liquid soap; dry it with a clean cloth. Be careful that water never gets into the unit through the holes of the front panel.

5. FUNCTION LIST

1. Headphones connection stereo jack
2. Volume control for the headphones output, VOL
3. Input signal indicators, INPUTS
4. Output signal indicators, OUTPUTS
5. Data traffic indicator, DATA
6. Link (with another unit) indicator, LINK
7. Power on indicator, POWER
8. Signal output screw terminal, OUT
9. Signal input screw terminal, IN
10. Signal output screw terminal, MONITOR
11. RJ-45 connector, ETHERNET
12. RJ-45 connector, LINK BUS
13. MASTER – SLAVE selector, MASTER SLAVE
14. Screw terminals for digital remote control, REMOTE
15. Screw-assembled remote control terminals via the TP-NET, RS-232 protocol
16. Screw terminals for continuous voltage control, GPI
17. Screw terminal for relay output, GPO
18. Mains socket
19. Fuse holder
20. Power switch

6. FUNCTION DIAGRAM



Explicación de los Símbolos Gráficos

ES



El símbolo del relámpago con una flecha en la punta y dentro de un triángulo equilátero, tiene el propósito de alertar al usuario de la presencia de un voltaje peligroso y sin aislar dentro del aparato, y de una magnitud tal que puede constituir riesgo de descarga eléctrica para las personas.



El símbolo de exclamación dentro de un triángulo equilátero, tiene el propósito de alertar al usuario de la presencia de instrucciones importantes sobre la operación y mantenimiento en la información que viene con el producto.



Los símbolos de relámpagos dibujados cerca de los terminales de salida se utilizan para alertar al usuario del riesgo de descargas peligrosas. Los conectores de salida que podrían plantear algún riesgo se indican con este símbolo del relámpago. No toque los terminales de salida mientras que el amplificador esté encendido. Hacer todas las conexiones con el amplificador apagado.

ADVERTENCIA: para prevenir choques eléctricos o riesgo de incendios, no exponer este equipo a la lluvia o la humedad.

INSTRUCCIONES IMPORTANTES DE SEGURIDAD

1. Lea estas instrucciones
2. Guarde estas instrucciones
3. Preste atención a todas las advertencias
4. Siga todas las instrucciones
5. No utilice este aparato cerca del agua
6. Límpielo solamente con un paño seco
7. No bloquee ninguna abertura para ventilación. Instálelo de acuerdo con las instrucciones del fabricante
8. No lo instale cerca de fuentes de calor como radiadores, estufas u otros aparatos que produzcan calor, incluidos amplificadores.
9. No elimine el propósito de seguridad del cable de corriente polarizado o con conexión de tierra. Un cable polarizado tiene dos bornes, uno más ancho que el otro. Un enchufe con conexión a tierra, tiene dos bornes y un tercer borne conectado a tierra. Este tercer borne está previsto para su seguridad. Si el cable proporcionado no entra en su enchufe, consulte con un técnico electricista para reemplazar ese enchufe obsoleto.
10. Proteja el cable eléctrico de ser aplastado, en especial en la zona de los conectores, los receptáculos de los mismos y en el punto en el que el cable sale del aparato.
11. Utilice solamente los accesorios especificados por el fabricante.
12. Desconecte el aparato durante las tormentas eléctricas o cuando no lo vaya a usar durante periodos largos de tiempo.
13. Para cualquier reparación, póngase en contacto con un servicio técnico cualificado. La reparación es necesaria cuando el aparato no funciona con normalidad o ha sido dañado por cualquier motivo, ya sea porque el cable o el enchufe estén dañados, porque se hayan derramado líquidos o hayan caído objetos dentro del aparato, o porque el aparato haya sido expuesto a la lluvia o se haya caído.
14. Desconexión de la red: apagando el interruptor de POWER (14) todas las funciones e indicadores del amplificador se pararán, pero la completa desconexión del aparato se consigue desconectando el cable de red de su conector (37). Por esta razón, éste siempre debe tener fácil acceso.

1. NOTA IMPORTANTE	12
1.1. Precauciones	12
2. INTRODUCCIÓN	12
3. INSTALACIÓN	13
3.1. Ubicación, montaje, ventilación	13
3.2. Conexión a red eléctrica y encendido	13
3.3. Conexiones de entrada de señal	13
3.4. Conexiones de audio de salida	13
3.5. Puerto ETHERNET de programación y control	14
3.6. Puerto LINK BUS de enlace de audio digital	14
3.7. Puertos REMOTE 1 y 2 para controles remotos digitales	14
3.8. Puertos GPI de control remoto	15
3.9. Puertos GPO de control remoto	15
3.10. Puerto RS-232 de control remoto	15
3.11. Controles e indicadores LED del panel frontal	16
4. LIMPIEZA	16
5. LISTA DE FUNCIONES	17
6. DIAGRAMA DE FUNCIONAMIENTO	17
7. CARACTERÍSTICAS TÉCNICAS	34
8. DIAGRAMA DE BLOQUES	38

Todos los datos están sujetos a variación debida a tolerancias de producción. ECLER S.A. se reserva el derecho de realizar cambios o mejoras en la fabricación o diseño que pudieran afectar las especificaciones.



1. NOTA IMPORTANTE

ES

Agradecemos su confianza por haber elegido nuestra matriz MIMO88. Para conseguir la máxima operatividad y rendimiento de su equipo es MUY IMPORTANTE, antes de su conexión, leer detenidamente y tener muy presentes las consideraciones que en este manual se especifican.

Para garantizar el óptimo funcionamiento de este aparato recomendamos que su mantenimiento sea llevado a cabo por nuestros Servicios Técnicos autorizados.

El MIMO88 tiene una garantía de 3 años.

1.1. Precauciones

Este aparato debe ser conectado a tierra mediante su cable de alimentación.

No exponga el aparato a la caída de agua o salpicaduras, no ponga encima objetos con líquido ni fuentes de llama desnuda, como velas.

En caso de requerir alguna intervención y/o conexión desconexión del aparato debe desconectarse previamente de la alimentación.

En el interior del aparato no existen elementos manipulables por el usuario.



ATENCIÓN: PELIGRO DE DESCARGA ELÉCTRICA. NO ABRIR.

2. INTRODUCCIÓN

MIMO88 es una matriz digital de audio, totalmente programable y con las siguientes características principales:

- 8 entradas MICRO/LÍNEA simétricas (alimentación Phantom independiente por canal de entrada).
- 8 salidas de LÍNEA simétricas.
- 2 salidas de MONITOR que se pueden utilizar como auxiliares.
- Expandible a 16 entradas / 16 salidas enlazando una segunda unidad MIMO88 (obteniendo una matriz real de 16 entradas y 16 salidas). Enlace entre unidades mediante cable CAT5 cruzado (100 metros de distancia máxima).
- 8 puertos de control GPI (*General Purpose Input*).
- 8 puertos de control GPO (*General Purpose Output*).
- Programación y gestión remota vía Ethernet mediante aplicación EclerNet Manager (bien punto a punto, con cable CAT5 directo, bien desde un puesto de red Ethernet).
- Control remoto mediante clientes Ethernet de EclerNet Manager: clientes simultáneos con panel de control personalizado.
- Control remoto desde dispositivos externos de terceros. (Crestron, AMX, Vity, Medialon, etc. Marcas registradas por sus fabricantes). Protocolo TP-NET, mediante puertos Ethernet o RS-232.
- Bus de control remoto para paneles digitales WPTOUCH y consolas de mensajes (*paging*) MPAGE16.
- Gestión de memorias de configuración (*presets*).
- Eventos programados en base a calendario.
- Amplio procesamiento DSP disponible:
 - Matriz enrutadora-mezcladora, desde cualquier entrada hacia cualquier salida con nivel de puntos de cruce ajustable (mezclas independientes de diferentes entradas para cada salida).
 - Tratamiento de canales en modo mono o estéreo.
 - Nivel, enmudecimiento, vu-metros y ajuste de fase en entradas y salidas.
 - Generador de señal interno (señal senoidal, ruido rosa, ruido blanco, test de polaridad).
 - EQ paramétrica en entradas y en salidas.
 - Retardos en entradas y en salidas.
 - Puerta de ruido / compresor en canales de entrada.
 - Compresor / limitador en salidas.
 - Prioridades (*ducking*) entre canales de entrada.
 - Consolas de mensajes (*paging*) virtuales y físicas.
 - Mezclador automático.

La programación del MIMO88 se realiza mediante la aplicación EclerNet Manager*. Consulte el manual de la Aplicación EclerNet Manager para obtener más información.

* La aplicación EclerNet Manager se encuentra disponible para su descarga en www.ecler.com.

3. INSTALACIÓN

3.1. Ubicación, montaje, ventilación

MIMO88 ha sido especialmente diseñado para su ubicación en muebles rack de 19", ocupando una unidad de altura.

Es muy importante que, como elemento generador de calor que es, el MIMO88 no esté completamente encerrado ni expuesto a temperaturas extremas. Debe favorecerse el paso de aire fresco a través de los orificios de ventilación del chasis, dejando al menos una unidad de rack libre entre cada equipo y los instalados encima y debajo de él en el bastidor de rack.

Si la instalación consta de varios amplificadores en el mismo rack o se realiza dentro de armarios cerrados mediante puertas, es altamente recomendable dotar a éstos de ventilación forzada ascendente, instalando ventiladores en sus extremos inferior y superior. Dicho flujo ascendente de ventilación favorecerá la disipación del calor generado en su interior.

3.2. Conexión a red eléctrica y encendido

El MIMO88 funciona con tensión alterna de 90 a 264V y 47 a 63 Hz. Este aparato equipa una fuente de alimentación sobredimensionada capaz de adaptarse sin ningún tipo de ajuste a la tensión de red de cualquier país del mundo.

En el panel posterior, y junto al conector IEC de alimentación, existe un interruptor de encendido / apagado de la unidad (20). En el panel frontal existe un indicador LED (7) que se ilumina cuando la unidad se encuentra en funcionamiento.

Debe evitarse que el cable de red se entremezcle y discorra paralelo a los cables blindados que transportan la señal de audio, ya que ello podría ocasionar zumbidos.

3.3. Conexiones de entrada de señal

MIMO88 dispone en su panel posterior de 8 entradas analógicas de señal "IN" (9), simétricas y que admiten niveles de línea o micrófono. La selección del tipo de señal de entrada y su gestión se realiza desde la aplicación EclerNet Manager. Consulte el manual de la aplicación EclerNet Manager para obtener más información.

Los conectores de entrada de señal son del tipo de regleta de tornillos de tres contactos. La asignación del conexionado es la siguiente:

Vivo o señal directa	>	Terminal +
Frío o señal invertida	>	Terminal -
Masa	>	Terminal ⊥

Para conexiones NO balanceadas cortocircuitar a masa el terminal -.

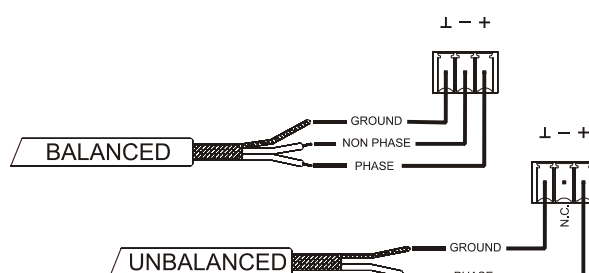
3.4. Conexiones de audio de salida

MIMO88 dispone en su panel posterior de 8 salidas analógicas de señal "OUT" (8) y de 2 salidas adicionales de monitoraje "MONITOR" (10), simétricas y con nivel de línea.

Los conectores de salida de señal son del tipo de regleta de tornillos de tres contactos. La asignación del conexionado es la siguiente:

Vivo o señal directa	>	Terminal +
Frío o señal invertida	>	Terminal -
Masa	>	Terminal ⊥

Para conexiones NO balanceadas dejar sin conectar el terminal -.



3.5. Puerto ETHERNET de programación y control

Un conector tipo RJ45 (11) permite la conexión del equipo a una red Ethernet:

- Gestión desde la aplicación EclerNet Manager. Consulte el manual de la Aplicación EclerNet Manager para obtener más información.
- Posibilidad de conexión directa (punto a punto) de un ordenador con una unidad MIMO88.
- Conexión a otros aparatos de terceros. (Crestron, AMX, Vity, Medialon, etc. Marcas registradas por sus fabricantes). Protocolo empleado: Ecler TP-NET. Consulte el manual del protocolo TP-NET para más información.


3.6. Puerto LINK BUS de enlace de audio digital

Un conector tipo RJ45 (12) permite la conexión del equipo a una segunda unidad MIMO88 para obtener un intercambio bidireccional de audio digital y datos de control entre ambas unidades, comportándose el conjunto como una matriz real de 16 entradas y 16 salidas a todos los efectos. La distancia máxima admisible entre ambas unidades, empleando un cable CAT5 estándar, es de 100 metros.

Para trabajar en el modo 16x16, en la pareja de unidades MIMO88 (enlazadas mediante el LINK BUS) una de ellas asumirá el rol de Maestro (MASTER) y la otra de Esclavo (SLAVE). El modo MASTER o SLAVE de cada unidad se ajusta mediante el selector (13) ubicado en el panel posterior. En instalaciones con un solo MIMO88 la posición del selector es indiferente.

En el modo 16x16 las dos unidades se comportan como un único equipo con 16 entradas y 16 salidas. Toda la programación y control remoto Ethernet de la pareja MASTER-SLAVE se realiza mediante la aplicación EclerNet Manager y estableciendo comunicación únicamente mediante el puerto Ethernet de la unidad MASTER, no siendo preciso emplear el puerto Ethernet de la unidad SLAVE. (Excepto para actualizar el firmware).

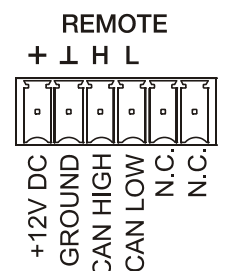
Precaución: el enlace entre dos unidades MIMO88 mediante LINK BUS debe ser siempre con un cable cruzado "crossover", es decir, con un cable dedicado CAT5 que una los puertos LINK BUS de ambas unidades, de hasta 100 metros de distancia, y sin existir hardware Ethernet o de otro tipo en el camino. Consulte el manual de la Aplicación EclerNet Manager para obtener más información.

CABLEADO DEL CONECTOR RJ-45 "CROSSOVER"			
RJ-45 (1)	COLOR	RJ-45 (2)	
TERMINAL 1	BLANCO/NARANJA	TERMINAL 3	
TERMINAL 2	NARANJA	TERMINAL 6	
TERMINAL 3	BLANCO/VERDE	TERMINAL 1	
TERMINAL 4	AZUL	TERMINAL 7	
TERMINAL 5	BLANCO/AZUL	TERMINAL 8	
TERMINAL 6	VERDE	TERMINAL 2	
TERMINAL 7	BLANCO/MARRÓN	TERMINAL 4	
TERMINAL 8	MARRÓN	TERMINAL 5	

3.7. Puertos REMOTE 1 y 2 para controles remotos digitales

Los puertos REMOTE 1 y REMOTE 2 (14) son dos puntos de conexión del bus digital de dispositivos de control remoto, como el panel mural WPTOUCH o la consola de mensajes (*paging*) MPAGE16. A cada uno de ellos puede conectarse una rama del bus digital, rama en la que los diferentes dispositivos remotos se hallarán encadenados (*daisy-chain*) y el último de ellos cargado con una resistencia terminal de 120 Ω entre CAN HIGH y CAN LOW.

Consulte la documentación del dispositivo remoto (WPTOUCH, MPAGE16, etc.) para más información acerca de su conexionado y controles.



Consulte el manual de la Aplicación EclerNet Manager para obtener más información acerca de la programación de MIMO88 para gestionar los dispositivos remotos conectados a REMOTE1 o REMOTE2.

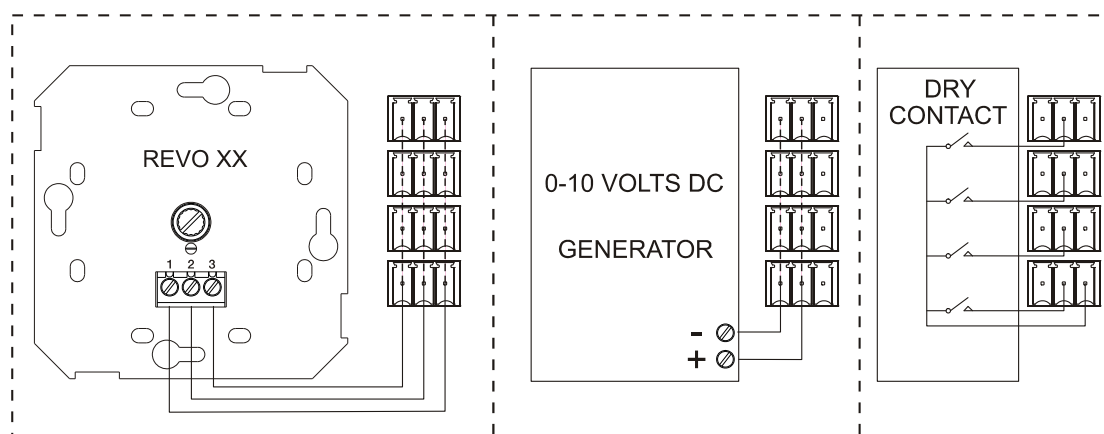
3.8. Puertos GPI de control remoto

MIMO88 dispone en su panel posterior de 8 entradas GPI (16) de control por tensión continua, 0 a 10 VDC. Cada una de estas entradas puede conectarse a un dispositivo físico externo (un potenciómetro, un cierre de contacto, una tensión continua 0-10V variable, etc.) y asociarse a una función del MIMO88, como por ejemplo:

- Control remoto de un volumen de canal de entrada, salida o punto de cruce de la matriz mediante un potenciómetro físico WPVOL o un control remoto WPVOL-IR de la serie WP de Ecler
- Activación / desactivación de un MUTE o SOLO mediante un pulsador o cierre de contacto
- Recuperación de un *preset* mediante un pulsador o cierre de contacto

Los conectores GPI son del tipo de regleta de tornillos de tres contactos. La asignación del conexionado es la siguiente:

Positivo, + 10 VDC	>	Terminal +
Tensión variable, 0-10 VDC	>	Terminal
Masa	>	Terminal ⊥



Algunos ejemplos de conexionado

Los cables de conexión pueden ser de hasta 500 metros aproximadamente, utilizando una sección mínima de 0,5 mm².

Consulte a su distribuidor ECLER o bien en www.ecler.com acerca de los paneles murales de control remoto serie WP y otros accesorios disponibles para la conexión a puertos REMOTE / VCA.

3.9. Puertos GPO de control remoto

MIMO88 dispone en su panel posterior de 8 salidas de relé (17) NO / NC (normalmente abierto / normalmente cerrado). Cada una de estas salidas puede asociarse a una función del MIMO88, como por ejemplo una tecla de la aplicación EclerNet Manager (una tecla MUTE, una tecla SOLO), etc. De esta forma es posible interactuar con equipos externos, como motores de pantallas de proyección o de tabiques móviles, luces, sirenas, entradas GPI de otros equipos, etc.

3.10. Puerto RS-232 de control remoto

El puerto RS-232 integrado en el panel posterior permite que un dispositivo externo se comunique con una unidad MIMO88 mediante conexión serie. Dicha conexión empleará la sintaxis del protocolo TP-NET para que el dispositivo externo pueda obtener el valor de alguno de los parámetros de la unidad MIMO88 (mediante comandos "GET") y/o modifique dichos valores (comandos "SET"). Consulte el manual del protocolo TP-NET para más información.

La conexión serie debe cumplir con las siguientes características:

- Baud rate: 57600 (fixed, no auto negotiation)
- Data bits: 8
- Parity: None
- Stop bits: 1
- Flow control: None

CABLEADO RS232 – DB9	
RS232	DB9
Tx	Terminal 2 (RxD)
Rx	Terminal 3 (TxD)
Gnd	Terminal 5 (Signal Gnd)

3.11. Controles e indicadores LED del panel frontal

ES

MIMO88 dispone en su panel frontal de los siguientes elementos:

- Salida MONITOR (1) (marcada con símbolo de auriculares): se trata de la misma señal de monitoraje disponible en el panel posterior mediante regleta de tornillos, en este caso en formato jack TRS de ¼" y con un control de nivel giratorio (2) para la escucha mediante auriculares. Es especialmente útil para realizar una escucha de señales de entrada o salida de la unidad sin perturbar el normal funcionamiento de la misma. En modo 16x16 las dos unidades MIMO reciben la misma señal. La selección de la señal a escuchar se realiza mediante el software de control EclerNet Manager. Consulte el manual de la aplicación EclerNet Manager para obtener más información.
- Indicadores LED de entradas (3): muestran la presencia de señal de audio en las entradas de la unidad, y su nivel de intensidad (colores verde, ámbar y rojo, que corresponden por este orden a un nivel creciente de intensidad)
- Indicadores LED de salidas (4): muestran la presencia de señal de audio en las salidas de la unidad, y su nivel de intensidad (colores verde, ámbar y rojo, que corresponden por este orden a un nivel creciente de intensidad)
- Indicadores LED de estado (STATUS):
 - DATA: (5) Apagado, no existe conexión con el EclerNet Manager aunque esté conectado a ETHERNET. Encendido, conectado al EclerNet Manager o conectado a la aplicación de terceros mediante el protocolo TP-NET. Parpadea, tráfico de datos con el EclerNet Manager u otros.
 - LINK: (6)
 1. Si el dispositivo está configurado como MASTER 8x8, el LED permanece apagado.
 2. Si el dispositivo está configurado como MASTER 16x16:
 - Si todo está correcto (el SLAVE está conectado y no hay error en la comunicación), el LED realiza continuamente un parpadeo rápido entre verde (50ms) y apagado (50ms)
 - Si hay un error de comunicación con el SLAVE, el LED realiza un parpadeo rápido entre verde (50ms) y rojo (200ms)
 - Si no hay ningún SLAVE conectado (o el equipo conectado es otro MASTER), el LED realiza un parpadeo lento entre verde (800ms) y rojo (200ms)
 3. Si el dispositivo está configurado como SLAVE:
 - Si todo está correcto (el MASTER está conectado y no hay error en la comunicación), el LED realiza continuamente un parpadeo rápido entre naranja (50ms) y apagado (50ms)
 - Si hay algún error de comunicación con el MASTER, el LED realiza un parpadeo rápido entre naranja (50ms) y rojo (200ms)
 - Si no hay ningún MASTER conectado (o el equipo conectado es otro SLAVE), el LED realiza un parpadeo lento entre naranja (800ms) y rojo (200ms)
 - POWER: (7) se ilumina cuando la unidad se halla en funcionamiento. Si parpadea hay error en la unidad o el firmware no es correcto. También parpadea al actualizar el firmware

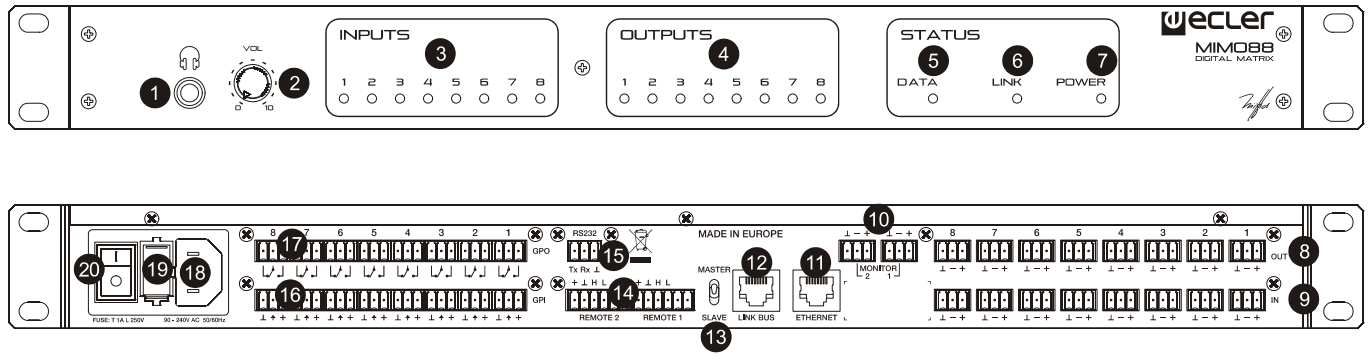
4. LIMPIEZA

La carátula no deberá limpiarse con sustancias disolventes o abrasivas puesto que se corre el riesgo de deteriorar la serigrafía. Para su limpieza se utilizará un trapo humedecido con agua y un detergente líquido neutro, secándola a continuación con un paño limpio. En ningún caso se debe permitir la entrada de agua por cualquiera de los orificios del aparato.

5. LISTA DE FUNCIONES

- 1. Jack estéreo conexión auriculares
- 2. Control de volumen auriculares, VOL
- 3. Indicadores luminosos de señal de entrada, INPUTS
- 4. Indicadores luminosos de señal de salida, OUTPUTS
- 5. Indicador luminoso de tráfico de datos, DATA
- 6. Indicador luminoso de enlace con otra unidad, LINK
- 7. Indicador luminoso de puesta en marcha, POWER
- 8. Terminales atornillables salida de señal, OUT
- 9. Terminales atornillables entrada de señal, IN
- 10. Terminales atornillables salida de señal, MONITOR
- 11. Conector RJ-45, ETHERNET
- 12. Conector RJ-45, LINK BUS
- 13. Selector master – esclavo, MASTER SLAVE
- 14. Terminales atornillables de control remoto digital, REMOTE
- 15. Terminales atornillables de control remoto mediante protocolo TP-NET, RS-232
- 16. Terminales atornillables de control por tensión continua, GPI
- 17. Terminales atornillables de salida de relé, GPO
- 18. Base de toma de red
- 19. Portafusible
- 20. Interruptor de puesta en marcha

6. DIAGRAMA DE FUNCIONAMIENTO



Explication des symboles graphiques

FR



Le symbole d'éclair avec une flèche, à l'intérieur d'un triangle équilatéral, avertit l'utilisateur de la présence de « tension dangereuse », non isolée, à l'intérieur de l'enceinte du produit, assez importante pour constituer un risque d'électrocution des personnes.



Le point d'exclamation dans un triangle équilatéral avertit l'utilisateur de l'existence d'importantes instructions d'opération et de maintenance (entretien courant) dans les documents qui accompagnent l'appareil.



Les éclairs imprimés près des bornes de SORTIE de l'amplificateur avertissent l'utilisateur du risque d'énergie dangereuse. Les connecteurs de sortie qui pourraient constituer un risque sont marqués d'un éclair. Ne touchez pas les bornes de sortie lorsque l'amplificateur est en marche. Réalisez toutes les connexions lorsque l'amplificateur est éteint.

AVERTISSEMENT : Afin d'éviter tout incendie ou électrocution, n'exposez pas cet appareil à la pluie ou l'humidité

CONSIGNES DE SÉCURITÉ IMPORTANTES

1. Lisez ces instructions.
2. Conservez ces instructions.
3. Prenez en compte tous les avertissements.
4. Suivez toutes les instructions.
5. N'utilisez pas cet appareil près de l'eau.
6. Nettoyez uniquement à l'aide d'un chiffon sec.
7. Ne bloquez pas les ouvertures d'aération. Installez en respectant les instructions du fabricant.
8. Ne l'installez pas près de sources de chaleur telles que des radiateurs, des bouches d'air chaud, des cuisinières ou d'autres appareils (amplificateurs inclus) qui produisent de la chaleur.
9. N'entravez pas la sécurité de la fiche polarisée ou de la prise de mise à la terre. Une fiche polarisée possède deux lames, dont une est plus large que l'autre. Une prise de mise à la terre possède deux lames, ainsi qu'une broche de masse. La lame large ou la troisième broche sont fournies pour votre sécurité. Si la fiche fournie ne correspond pas à votre prise de courant, consultez un électricien pour le remplacement de l'ancienne prise.
10. Protégez le cordon d'alimentation afin qu'il ne soit ni écrasé ni pincé, en particulier au niveau des fiches, des prises de courant et à l'endroit où ils sortent de l'appareil.
11. N'utilisez que des accessoires recommandés par le fabricant.
12. Débranchez l'appareil en cas d'orage ou s'il n'est pas utilisé pendant une longue période.
13. L'entretien courant doit être réalisé par du personnel qualifié. L'entretien courant doit être réalisé lorsque l'appareil a été endommagé, par exemple lorsque le cordon d'alimentation ou la fiche sont endommagés, si du liquide a été renversé ou si des objets sont tombés sur l'appareil, si l'appareil a été exposé à la pluie ou à l'humidité, s'il ne fonctionne pas normalement ou s'il est tombé.
14. Déconnexion du secteur: En appuyant sur l'interrupteur POWER (14), toutes les fonctions et les voyants de l'amplificateur seront mis à l'arrêt, mais la déconnexion totale de l'appareil s'effectue en débranchant le cordon d'alimentation du secteur (37). C'est la raison pour laquelle il doit toujours rester opérationnel.

TABLE DES MATIERES

1. NOTE IMPORTANTE	20
1.1. Précautions	20
2. INTRODUCTION	20
3. INSTALLATION	21
3.1. Localisation, montage, ventilation	21
3.2. Raccordement au réseau électrique et mise sous tension	21
3.3. Branchement de l'entrée du signal	21
3.4. Connexions de sortie audio	21
3.5. Port Ethernet pour la programmation et la commande	22
3.6. Port LINK BUS de liaison audio numérique	22
3.7. Ports REMOTE 1 et 2 pour télécommandes numériques	22
3.8. Ports GPI de télécommande	23
3.9. Ports GPO de télécommande	23
3.10. Port RS-232 pour contrôle à distance	23
3.11. Commandes et voyants à LED de la face avant	24
4. ENTRETIEN	24
5. LISTE DE FONCTIONS	25
6. SCHEMA DE FONCTIONNEMENT	25
7. CARACTERISTIQUES TECHNIQUES	34
8. DIAGRAMME DE BLOCS	38



1. NOTE IMPORTANTE

Nous vous remercions de la confiance que vous nous avez manifestée en choisissant notre matrice MIMO88. Pour en tirer le meilleur rendement et un fonctionnement maximal, il est TRÈS IMPORTANT de lire attentivement et de respecter les indications données dans ce manuel avant toute connexion. Pour obtenir le meilleur rendement de cet appareil, il est important que le entretien se réalise par notre Service Technique Ecler.

Le MIMO88 est garanti pendant 3 ans.

1.1. Précautions

Cet appareil doit être impérativement relié à la terre via son câble d'alimentation.

Eviter tout contact avec l'eau. L'appareil doit être installé à l'écart de tout objet contenant un liquide ou de toute flamme nue, comme une bougie par exemple.



Avant toute intervention et/ou de connexion/déconnexion, le cordon d'alimentation de l'appareil doit être préalablement débranché.

Il n'existe aucun élément destiné à l'utilisateur à l'intérieur de l'appareil.



ATTENTION: RISQUE DE CHOC ELECTRIQUE. NE PAS OUVRIR.

2. INTRODUCTION

MIMO88 est une matrice audio numérique, totalement programmable, et ayant les caractéristiques principales suivantes :

- 8 entrées MICRO/LIGNE symétriques (alimentation fantôme indépendante par canal d'entrée).
- 8 sorties LIGNE symétriques.
- 2 sorties MONITOR qui peuvent être utilisées comme auxiliaires.
- Extensible à 16 entrées/16 sorties en lui connectant une deuxième unité MIMO88 (pour obtenir une matrice réelle de 16 entrées et 16 sorties). Reliez les unités au moyen d'un câble CAT5 croisé (sur une distance maximale de 100 mètres).
- 8 ports d'entrée de commande GPI (*General Purpose Input*).
- 8 ports de sortie de commande GPO (*General Purpose Output*).
- Programmation et gestion à distance via Ethernet au moyen de l'application EclerNet Manager (ou point à point, avec un câble CAT5 direct, ou depuis un poste de réseau Ethernet).
- Commande à distance via des clients Ethernet de l'application EclerNet Manager : clients simultanés avec panneau de commande personnalisé.
- Commande à distance à partir de périphériques externes de tierces parties (Crestron, AMX, Vity, Medialon, etc. Marques déposées par leurs fabricants). Protocole TP-NET par ports Ethernet ou RS-232.
- Bus de commande à distance pour panneaux numériques WPTOUCH et consoles de messages (*radiomessagerie*) MPAGE16.
- Gestion des mémoires de configuration (*presets*).
- Événements programmés sur la base du calendrier.
- Abondant traitement DSP :
 - Matrice de routage/mélangeur, de n'importe quelle entrée à n'importe quelle sortie avec niveau réglable des points de croisement (mixages indépendants de différentes entrées pour chaque sortie).
 - Traitement des canaux en mono ou en stéréo.
 - Niveau, coupure du son (Mute), VU-mètres et réglage de phase pour les entrées et pour les sorties.
 - Générateur de signal interne (onde sinusoïdale, bruit rose, bruit blanc, test de polarité).
 - Égaliseur paramétrique sur les entrées et les sorties.
 - Retards sur les entrées et les sorties.
 - Noise gate/compresseur sur les canaux d'entrée.
 - Compresseur/limiteur sur les sorties.
 - Priorités (*ducking*) entre les canaux d'entrée.
 - Consoles de messages (*paging*) virtuelles et physiques.
 - Mélangeur automatique.

La programmation du MIMO88 se fait au moyen de l'application EclerNet Manager*. Consultez le mode d'emploi de l'application EclerNet Manager pour obtenir davantage d'informations.

* L'application EclerNet Manager est disponible sur www.ecler.com.

3. INSTALLATION

3.1. Localisation, montage, ventilation

La MIMO88 a été spécialement conçue pour un montage en rack 19", occupant une unité de hauteur.

Il est très important que, produisant de la chaleur, MIMO88 ne soit pas complètement enfermé ni exposé à des températures extrêmes. Il est également nécessaire de favoriser le passage d'air frais à travers les orifices de ventilation du châssis, en laissant au moins une unité de rack libre entre chaque appareil et ceux installés au dessus et en dessous de lui dans le rack.

Si l'installation comprend plusieurs amplificateurs dans le même rack ou se fait dans une armoire fermée par des portes, il est fortement conseillé de doter ceux-ci d'une ventilation forcée ascendante, en installant des ventilateurs à leurs extrémités supérieure et inférieure. Ce flux ascendant de ventilation favorisera la dissipation de la chaleur produite à l'intérieur.

3.2. Raccordement au réseau électrique et mise sous tension

Le MIMO88 fonctionne sur courant alternatif de 90 à 264 V (47 à 63 Hz). Tous les modèles sont équipés d'une source d'alimentation capable de s'adapter sans aucun réglage spécifique à la tension secteur en vigueur dans le pays concerné.

En face arrière, et à côté du connecteur d'alimentation IEC, se trouve un interrupteur marche/arrêt de l'unité (20). Sur la face avant, un voyant à LED (7) s'allume lorsque l'appareil est en service.

Éviter de mêler les cordons secteur et les cordons audio, ceci peut provoquer des ronflements.

3.3. Branchement de l'entrée du signal

Le MIMO88 dispose en face arrière de 8 entrées "IN" symétriques pour signal analogique (9), acceptant un niveau ligne ou microphone. La sélection du type de signal d'entrée et sa gestion se font depuis l'application EclerNet Manager. Consultez le mode d'emploi de l'application EclerNet Manager pour obtenir davantage d'informations.

Les connecteurs d'entrée du signal sont de type borniers vissables à trois contacts. L'assignation du câblage est la suivante :

Point chaud (signal direct)	>	Terminal +
Point froid (signal inversé)	>	Terminal -
Masse	>	Terminal ⊥

Pour les branchements asymétriques relier le point - à la masse.

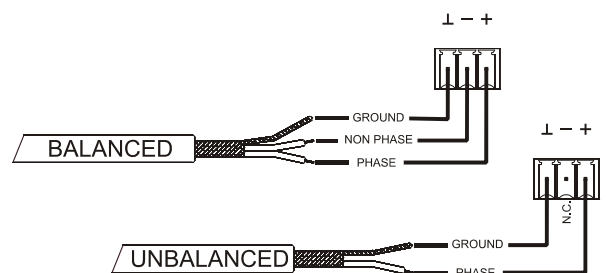
3.4. Connexions de sortie audio

Le MIMO88 dispose en face arrière de 8 sorties "OUT" pour signal analogique (8) et de deux sorties supplémentaires d'écoute de contrôle "MONITOR" (10), symétriques et de niveau de ligne.

Les connecteurs de sortie du signal sont de type borniers vissables à trois contacts. L'assignation du câblage est la suivante :

Point chaud (signal direct)	>	Terminal +
Point froid (signal inversé)	>	Terminal -
Masse	>	Terminal ⊥

Pour les connexions ASYMÉTRIQUES, ne pas connecter la borne -.



3.5. Port Ethernet pour la programmation et la commande

Un connecteur de type RJ45 (11) permet la connexion de l'équipement à un réseau Ethernet :

FR

- Gestion depuis l'application EclerNet Manager. Consultez le mode d'emploi de l'application EclerNet Manager pour obtenir davantage d'informations.
- Possibilité de connexion directe (point à point) d'un ordinateur à une unité MIMO88.
- Connexion à d'autres appareils de tierces parties (Crestron, AMX, Vity, Medialon, etc. Marques déposées par leurs fabricants). Protocole utilisé : Ecler TP-NET. Se reporter au manuel du protocole TP-NET pour de plus amples informations.


3.6. Port LINK BUS de liaison audio numérique

Un connecteur de type RJ45 (12) permet la connexion de l'équipement à une seconde unité MIMO88 pour obtenir un échange bidirectionnel de données audio numériques et de commandes entre les deux unités, l'ensemble se comportant à tous points de vue comme une matrice réelle de 16 entrées et 16 sorties. La distance maximale possible entre les deux unités, si on utilise un câble CAT5 standard, est de 100 mètres.

Pour travailler en mode 16x16, au sein de la paire d'unités MIMO88 (reliées par LINK BUS), l'une des d'eux assume le rôle de maître (MASTER) et l'autre d'esclave (SLAVE). Le mode MASTER ou SLAVE de chaque unité se choisit avec le sélecteur (13) situé en face arrière. Dans les installations avec un seul MIMO88, la position du sélecteur n'a pas d'importance.

En mode 16x16, les deux unités se comportent comme un seul appareil ayant 16 entrées et 16 sorties. Toute la programmation et la télécommande via Ethernet de la paire maître-esclave (MASTER-SLAVE) se font au moyen de l'application EclerNet Manager et la communication uniquement au travers du port Ethernet de l'unité MASTER, il n'est pas nécessaire d'utiliser le port Ethernet de l'unité SLAVE. (Sauf pour la mise à jour du firmware).

Précaution : la liaison LINK BUS entre les deux unités MIMO88 **doit se faire au moyen d'un câble croisé ("crossover")**, c'est à dire un câble CAT5 dédié aux ports LINK BUS des deux unités, pouvant atteindre 100 mètres, et **sans équipement Ethernet ou d'autre type** sur le trajet. Consultez le mode d'emploi de l'application EclerNet Manager pour obtenir davantage d'informations.

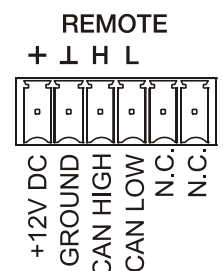
CABLAGE DU CONNECTEUR RJ-45 "CROSSOVER"			
RJ-45 (1)	COULEUR	RJ-45 (2)	
BROCHE 1	BLANC/ORANGE	BROCHE 3	
BROCHE 2	ORANGE	BROCHE 6	
BROCHE 3	BLANC/VERT	BROCHE 1	
BROCHE 4	BLEU	BROCHE 7	
BROCHE 5	BLANC/BLEU	BROCHE 8	
BROCHE 6	VERT	BROCHE 2	
BROCHE 7	BLANC/MARRON	BROCHE 4	
BROCHE 8	MARRON	BROCHE 5	

3.7. Ports REMOTE 1 et 2 pour télécommandes numériques

Les ports REMOTE 1 et REMOTE 2 (14) sont deux points de connexion du bus numérique d'appareils de télécommande, tels que le panneau mural WPTOUCH ou la console de messages (*paging*) MPAGE16. Chacun d'eux peut se connecter à une branche du bus numérique, branche à laquelle les différents dispositifs distants sont enchaînés en cascade (daisy-chain) et le dernier d'entre eux est chargé par une résistance terminale de 120 Ω entre CAN HIGH et CAN LOW.

Consultez la documentation de l'appareil distant (WPTOUCH, MPAGE16, etc) pour plus d'informations sur votre connexion et vos commandes.

Consultez le manuel de l'application EclerNet Manager pour plus d'informations sur la programmation du MIMO88 afin de gérer les périphériques distants connectés à REMOTE1 ou REMOTE2.



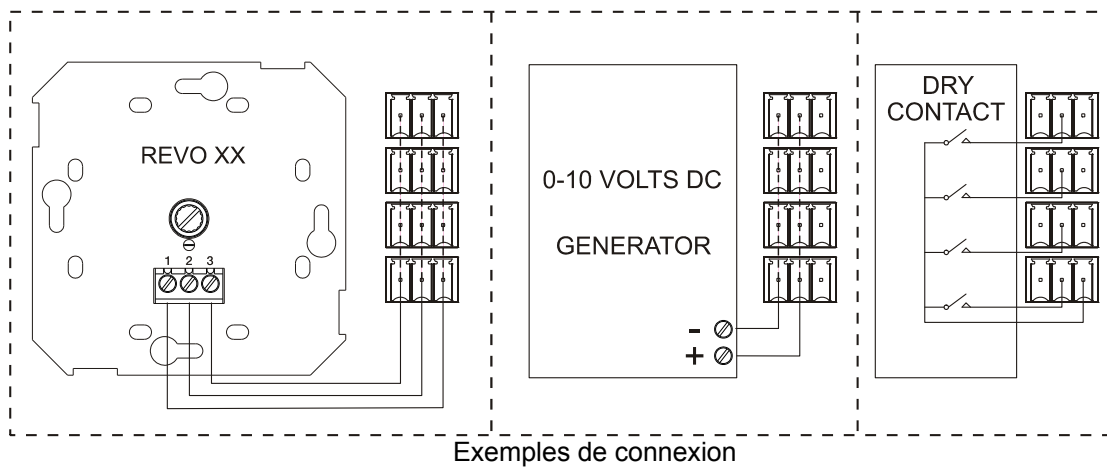
3.8. Ports GPI de télécommande

En face arrière, le MIMO88 dispose de 8 entrées GPI (16) de commande continue par tension, CC 0-10 V. Chacune de ces entrées peut être connectée à un périphérique physique externe (un potentiomètre, une fermeture de contact, une tension variable en continu de CC 0-10 V, etc) et associée à une fonction du MIMO88, par exemple :

- Télécommande du volume d'un canal d'entrée, de sortie ou d'un point de croisement de matrice par le biais d'un potentiomètre physique WPVOL ou d'un télécommande WPVOL-IR de la série WP Ecler
- Activation/désactivation d'un MUTE ou d'un SOLO par un commutateur ou une fermeture de contact
- Rappel d'un préréglage (*preset*) au moyen d'un bouton-poussoir ou d'une fermeture de contact

Les connecteurs GPI sont de type borniers vissables. L'assignation des connecteurs est la suivante :

- | | | |
|-----------------------------|---|---------|
| Positif, CC +10 V | > | Borne + |
| Tension variable, CC 0-10 V | > | Borne |
| Masse | > | Borne ⊥ |



Les câbles de connexion peuvent mesurer jusqu'à environ 500 mètres, s'ils ont une section minimale de 0,5 mm².

Consultez votre distributeur ECLER ou le site www.ecler.com pour en savoir plus sur les panneaux muraux de télécommande de la gamme WP et autres accessoires disponibles pour la connexion au port REMOTE/VCA.

3.9. Ports GPO de télécommande

La face arrière du MIMO88 offre 8 sorties relais (17) NO/NC (normalement ouvert/fermé). Chacune de ces sorties peut être associée à une fonction du MIMO88, comme par exemple un bouton de l'application EclerNet Manager (bouton MUTE, bouton SOLO, etc.) Cela permet d'interagir avec des périphériques externes tels que des moteurs d'écrans de projection ou de cloisons mobiles, des lumières, des sirènes, des entrées GPI d'autres équipements, etc.

3.10. Port RS-232 pour contrôle à distance

Le port RS-232 intégré au panneau arrière permet la communication entre un dispositif externe et une unité MIMO88 à travers une connexion série. Cette connexion fait appel à la syntaxe du protocole TP-NET afin que le dispositif externe puisse obtenir la valeur de l'un des paramètres de l'unité MIMO88 (via les commandes « GET ») et/ou modifier ces valeurs (commandes « SET »). Se reporter au manuel du protocole TP-NET pour de plus amples informations.

La connexion série doit satisfaire les caractéristiques suivantes :

- Baud rate: 57600 (fixed, no auto negotiation)
- Data bits: 8
- Parity: None
- Stop bits: 1
- Flow control: None

CABLAGE RS232 – DB9	
RS232	DB9
Tx	Broche 2 (RxD)
Rx	Broche 3 (TxD)
Gnd	Broche 5 (Signal Gnd)

3.11. Commandes et voyants à LED de la face avant

Les éléments suivants sont disponibles en face avant du MIMO88 :

FR

- Sortie MONITOR (1) (portant un symbole de casque) : produit le même signal d'écoute de contrôle que celui disponible par le bornier vissable de la face arrière, mais au format jack 6,35 mm 3 points (TRS) et avec un bouton de volume (2) pour l'écoute au casque. Elle est particulièrement utile pour écouter les signaux entrants ou sortants sans perturber le fonctionnement normal de l'unité. En mode 16x16, les deux unités MIMO reçoivent le même signal. La sélection du signal à écouter se fait au moyen du logiciel de commande EclerNet Manager. Consultez le mode d'emploi de l'application EclerNet Manager pour obtenir davantage d'informations.
- Voyants d'entrée à LED (3) : indiquent la présence d'un signal audio en entrée de l'unité, et son niveau d'intensité (les couleurs verte, ambre et rouge correspondent dans cet ordre à l'augmentation du niveau d'intensité)
- Voyants de sortie à LED (4) : indiquent la présence d'un signal audio en sortie de l'unité, et son niveau d'intensité (les couleurs verte, ambre et rouge correspondent dans cet ordre à l'augmentation du niveau d'intensité)
- Voyants de statut à LED (STATUS) :
 - DATA : (5) Éteint : il n'y a aucun lien avec l'application EclerNet Manager même avec une connexion à Ethernet. Allumé : connecté à l'application EclerNet Manager ou à d'autres applications tierces par protocole TP-NET. Clignotant : échange de données avec l'application EclerNet Manager ou d'autres.
 - LINK (liaison) : (6)
 1. Si l'appareil est configuré comme maître (MASTER) 8x8, la LED reste éteinte.
 2. Si l'appareil est configuré comme maître (MASTER) 16x16 :
 - Si tout est correct (l'esclave (SLAVE) est connecté et il n'y a pas d'erreurs de communication), la LED alterne continuellement et rapidement entre allumage en vert (50 ms) et extinction (50 ms)
 - En cas d'erreur de communication avec l'esclave (SLAVE), la LED alterne rapidement entre vert (50 ms) et rouge (200 ms)
 - Si aucun esclave (SLAVE) n'est connecté (ou si l'appareil connecté est un autre maître), la LED alterne lentement entre vert (800 ms) et rouge (200 ms)
 3. Si l'appareil est configuré comme esclave (SLAVE) :
 - Si tout est correct (le maître (MASTER) est connecté et il n'y a pas d'erreurs de communication), la LED alterne continuellement et rapidement entre allumage en orange (50 ms) et extinction (50 ms)
 - En cas d'erreur de communication avec le maître (MASTER), la LED alterne rapidement entre orange (50 ms) et rouge (200 ms)
 - Si aucun maître (MASTER) n'est connecté (ou si l'appareil connecté est un autre esclave), la LED alterne lentement entre orange (800 ms) et rouge (200 ms)
 - POWER : (7) s'allume lorsque l'appareil est en fonctionnement. S'il clignote, erreur dans l'unité ou le firmware n'est pas correct. Il clignote également lorsque vous mettez à jour le firmware.

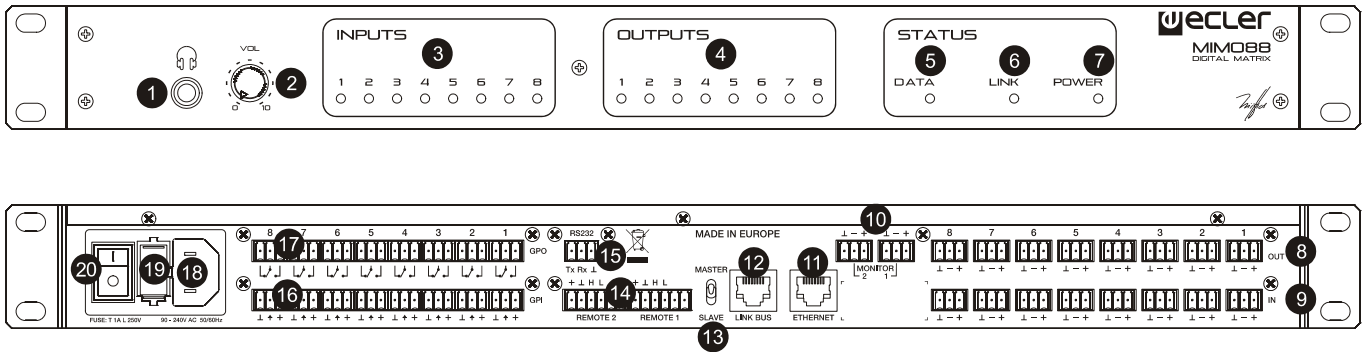
4. ENTRETIEN

Il est interdit d'utiliser des substances dissolvantes ou abrasives pour nettoyer la face avant, celles-ci détériorant la sérigraphie. Nettoyer uniquement avec un chiffon humide. Attention! Jamais de l'eau ou tout autre liquide ne doit pénétrer par les orifices du panneau de commande.

5. LISTE DE FONCTIONS

1. Jack de connexion du casque
2. Contrôle de volume pour la sortie casque, VOL
3. Voyants de signal d'entrée, INPUTS
4. Voyants de signal de sortie, OUTPUTS
5. Voyant de trafic de données, DATA
6. Voyant de liaison à une autre unité, LINK
7. Voyant de mise sous tension, POWER
8. Borniers vissables de sortie de signal, OUT
9. Borniers vissables d'entrée de signal, IN
10. Borniers vissables de sortie de signal, MONITOR
11. Connecteur RJ-45, ETHERNET
12. Connecteur RJ-45, LINK BUS
13. Sélecteur maître – esclave, MASTER SLAVE
14. Borniers vissables pour télécommande numérique, REMOTE
15. Borniers vissables pour contrôle à distance via protocole TP-NET, RS-232
16. Borniers vissables pour contrôle continu par tension, GPI
17. Borniers vissables pour sortie de relais, GPO
18. Embase secteur
19. Porte-fusible
20. Interrupteur de mise sous tension

6. SCHEMA DE FONCTIONNEMENT



Erklärung der grafischen Darstellungen



Das Blitzsymbol mit dem Pfeil innerhalb eines gleichseitigen Dreiecks soll den Benutzer vor nicht isolierter „gefährlicher Spannung“ innerhalb des Produktgehäuses warnen, die hoch genug ist, um einem Menschen einen elektrischen Schlag zu versetzen.

DE



Das Ausrufezeichen innerhalb eines gleichseitigen Dreiecks soll den Benutzer darauf hinweisen, dass mit dem Gerät wichtige Gebrauchs- und Wartungs-(Service-)anleitungen in dieser Gebrauchsanweisung geliefert wurden.



Die Blitzsymbole neben den AUSGÄNGEN des Verstärkers sollen den Benutzer auf Risiken durch gefährliche Energie aufmerksam machen. Ausgangsanschlüsse, die ein Risiko darstellen könnten, sind mit dem Blitzsymbol markiert. Ausgänge nicht bei eingeschaltetem Verstärker berühren. Nehmen Sie Anschlüsse nur bei ausgeschaltetem Gerät vor.

WARNUNG: Wegen Feuer- und Stromschlaggefahr, das Gerät niemals Regen oder Feuchtigkeit aussetzen.

WICHTIGE SICHERHEITSHINWEISE

1. Lesen Sie diese Anweisung durch.
2. Bewahren Sie diese Anweisung gut auf.
3. Beachten Sie alle Warnhinweise.
4. Befolgen Sie alle Anweisungen.
5. Benutzen Sie das Gerät nicht in der Nähe von Wasser.
6. Reinigen Sie es nur mit einem trockenem Tuch.
7. Blockieren Sie keine Lüftungsöffnungen. Das Gerät sollte gemäß den Herstellerangaben installiert werden.
8. Stellen Sie das Gerät nicht in der Nähe von Wärmequellen wie Heizkörpern, Radiatoren, Öfen oder anderen Geräten (einschließlich Verstärkern), die Wärme erzeugen, auf.
9. Annullieren Sie nicht den Sicherheitsmechanismus des gepolten oder geerdeten Steckers. Ein gepolter Stecker hat zwei Stifte, wobei einer davon breiter ist. Ein geerdeter Stecker hat zwei Stifte und einen dritten Erdungsstift. Der breite bzw. dritte Stift dient Ihrer Sicherheit. Wenn der mitgelieferte Stecker nicht in Ihre Steckdose passt, wenden Sie sich an einen Elektriker, um die veraltete Steckdose auszutauschen.
10. Sorgen Sie dafür, dass niemand auf das Netzkabel tritt und dass es nicht gequetscht wird, insbesondere an Steckern, Steckerbuchsen und an der Stelle, an dem es aus dem Gerät kommt.
11. Verwenden Sie nur die vom Hersteller angegebenen Zusatzgeräte/Zubehörteile.
12. Ziehen Sie bei einem Gewitter oder wenn das Gerät längere Zeit nicht verwendet wird den Netzstecker.
13. Alle Servicearbeiten sind von qualifiziertem Fachpersonal durchzuführen. Servicearbeiten sind notwendig, wenn das Gerät in jeglicher Art beschädigt wurde, z. B. wenn das Netzkabel oder der Netzstecker beschädigt ist, wenn Flüssigkeiten über das Gerät geschüttet wurde oder Gegenstände hineingefallen sind, es Regen oder Feuchtigkeit ausgesetzt wurde, nicht normal funktioniert oder heruntergefallen ist.
14. Vom Stromnetz trennen: Durch Ausschalten des POWER-Schalters (14) werden alle Funktionen gestoppt und die Anzeigen des Verstärkers erlöschen. Das Gerät wird aber nur durch Ziehen des Netzsteckers (37) vollständig vom Stromnetz getrennt. Deshalb müssen Netzstecker und Steckdose leicht zugänglich sein.

INHALTSVERZEICHNIS

1. WICHTIGE VORBEMERKUNG	28
1.1. Sicherheitsmaßnahmen	28
2. EINFÜHRUNG	28
3. INSTALLATION	29
3.1. Platzierung, Montage und Lüftung	29
3.2. Anschluss ans Stromnetz und Einschalten des Geräts	29
3.3. Anschluß der Signaleingänge	29
3.4. Audioausgangsanschlüsse	29
3.5. ETHERNET-Port für Programmierung und Steuerung	30
3.6. LINK-BUS-Verbindungsport für digitale Audiotechnik	30
3.7. REMOTE-Ports 1 und 2 für digitale Fernsteuerung	30
3.8. GPI-Ports für Fernsteuerung	31
3.9. GPO-Ports für Fernsteuerung	31
3.10. RS-232-Schnittstelle zur Fernsteuerung	31
3.11. Bedienelemente und LED-Anzeigen an der Vorderseite	32
4. REINIGUNG	32
5. FUNKTIONSLISTE	33
6. FUNKTIONSDIAGRAMM	33
7. TECHNISCHE DATEN	34
8. BLOCKSCHATBILD	38



Alle Angaben sind ohne Gewähr. Messwerte können produktionsbedingten Schwankungen unterliegen. ECLER S.A. nimmt sich das Recht heraus Veränderungen am Gerät vorzunehmen, die zur Verbesserung des Produktes beitragen.



1. WICHTIGE VORBEMERKUNG

Wir bedanken uns für das Vertrauen, das Sie mit der Wahl unserer Matrix MIMO88 in uns gesetzt haben. Um eine optimale Handhabung und die maximale Leistung zu erhalten, ist es SEHR WICHTIG, vor dem Anschluss des Geräts die in dieser Anleitung enthaltenen Hinweise aufmerksam durchzulesen und zu berücksichtigen.

Eventuelle Reparaturen sollten nur von unserer technischen Service Abteilung durchgeführt werden, um einen optimalen Betrieb sicherzustellen.

Die MIMO88 bieten eine Garantie von 3 Jahren.

DE

1.1. Sicherheitsmaßnahmen

Dieser Apparat muß mittels seines Netzkabels geerdet werden.

Es darf kein Regen oder andere Flüssigkeiten in das Gerät gelangen. Stellen Sie niemals Flüssigkeitbehälter oder flammende Gegenstände wie z.B. Kerzen auf die Gerätoberfläche.

Bevor Sie den MIMO54 an andere Geräte anschließen, ziehen Sie immer den Netzstecker.

Im Inneren der Endstufe befinden sich keine für den Benutzer gedachte Bedienelemente.



VORSICHT: GEFAHR EINES ELEKTRISCHEN SCHLAGES. NICHT ÖFFNEN!

2. EINFÜHRUNG

Die MIMO88 ist eine voll programmierbare digitale Audiomatrix mit den folgenden hauptsächlichen Merkmalen:

- 8 symmetrische MICRO/LINE-Eingänge (unabhängige Phantomeinspeisung für jeden Eingangskanal)
- 8 symmetrische LINE-Ausgänge
- 2 MONITOR-Ausgänge, die auch als AUX-Ausgänge genutzt werden können
- Auf 16 Ein-/Ausgänge erweiterbar durch den Anschluss einer zweiten MIMO088 (wodurch eine Matrix mit 16 Ein- und 16 Ausgängen erzielt wird); Geräteverbindung mit Crossover-Kabel Cat. 5 (maximal 100 Meter Entfernung)
- 8 GPI-Kontrolleingänge (*General Purpose Input*)
- 8 GPO-Kontrollausgänge (*General Purpose Output*)
- Fernsteuerung und –programmierung über Ethernet mit EclerNet Manager (von Punkt zu Punkt mit direktem Cat.5-Kabel oder ausgehend von einem Ethernet-Netzpunkt)
- Fernbedienung über Ethernet-Clients des EclerNet Managers: simultane Clients mit individuellem Bedienpanel
- Fernsteuerung mittels externer Vorrichtungen von Drittherstellern (Crestron, AMX, Vity, Medialon, usw, eingetragene Herstellermarken); TP-NET-Protokoll durch Ethernet- oder RS-232-Schnittstelle.
- Fernsteuerbus für digitale WPTOUCH-Panels und Nachrichtenkonsolen (*paging*) MPAGE16
- Steuerung von Konfigurationsspeichern (*presets*)
- Programmierte Ereignisse auf Kalenderbasis
- Umfassende DSP-Möglichkeiten:
 - Router-Mixer-Matrix, von jedem Eingang zu jedem Ausgang, mit einstellbarem Kreuzpunktpegel (unabhängige Mischung von unterschiedlichen Eingängen für jeden Ausgang)
 - Kanäle können in Mono- oder Stereobetrieb arbeiten
 - Pegel, Stummschaltung, VU-Meter und Phaseneinstellung an Ein- und Ausgängen
 - Interner Signalgenerator (Sinussignal, rosa Rauschen, weisses Rauschen, Polaritätstest)
 - parametrischer EQ an den Ein- und Ausgängen
 - Verzögerung an den Ein- und Ausgängen
 - Noise Gate / Kompressor an den Eingangskanälen
 - Kompressor / Limiter an den Ausgängen
 - Prioritäten (*ducking*) unter den Eingangskanälen
 - Virtuelle und physische Nachrichtenkonsolen (*paging*).
 - Automatischer Mischer

Die Programmierung der MIMO88 geschieht über die Anwendung EclerNet Manager*. Nähere Information hierzu finden Sie im Handbuch der Applikation EclerNet Manager.

* Die Applikation EclerNet Manager steht Ihnen unter www.ecler.com zur Verfügung.

3. INSTALLATION

3.1. Platzierung, Montage und Lüftung

Die MIMO88 wurde speziell für die Unterbringung in 19“-Racks konstruiert, wo sie eine HE ausfüllt.

Da der MIMO88 Hitze erzeugt, ist es sehr wichtig, dass er freistehend aufgestellt und keinen extremen Temperaturen ausgesetzt wird. Es muss für freien Abzug der Luft aus den Lüftungsöffnungen des Gehäuses gesorgt werden, das heisst, unterhalb und oberhalb eines installierten Geräts muss jeweils eine HE des Racks freigelassen werden.

Hat eine Anlage mehrere Verstärker im gleichen Rack oder ist eine Anlage in einem mit Türen verschlossenen Schrank eingebaut, so wird wärmstens empfohlen, diese mit nach oben abgeführter Zwangsbelüftung auszustatten, d.h., Einbau von Ventilatoren unten und oben. Dieser nach oben fließende Lüftungsstrom begünstigt die Abführung der im Inneren des Racks oder Schranks erzeugten Wärme.

3.2. Anschluss ans Stromnetz und Einschalten des Geräts

Der MIMO88 kann mit Wechselstrom zwischen 90 und 264V, 47 bis 63Hz betrieben werden. Dieses Gerät benutzt ein überdimensioniertes Netzteil. Damit passt es sich ohne irgendwelche Einstellungen an alle Weltweit auffindbaren Netzspannungen an.

An der Rückseite befindet sich, dicht beim IEC-Anschluss, der Schalter zum Ein- und Ausschalten des Geräts (20). An der Vorderseite befindet sich eine LED-Anzeige (7), die aufleuchtet, wenn das Gerät eingeschaltet ist.

Das Netzkabel darf nicht in der Nähe von den abgeschirmten, signalführenden Leitungen verlegt werden, da dies ein Brummen verursachen könnte.

3.3. Anschluß der Signaleingänge

Die MIMO88 verfügt an ihrer Rückseite über 8 analoge Signaleingänge „IN“ (9); diese sind symmetrisch und lassen Line- und Micropegel zu. Die Auswahl der Signalart des Eingangssignals und seine Steuerung geschieht über die Applikation EclerNet Manager. Nähere Information hierzu finden Sie im Handbuch der Applikation EclerNet Manager.

Die Signaleingangsanschlüsse sind vom Typ Schraubleiste mit drei Kontakten. Diese sind wie folgt zugewiesen:

Hot oder direktes Signal	>	Terminal +
Cold oder Phasenverkehrtes Signal	>	Terminal -
Masse	>	Terminal ⊥

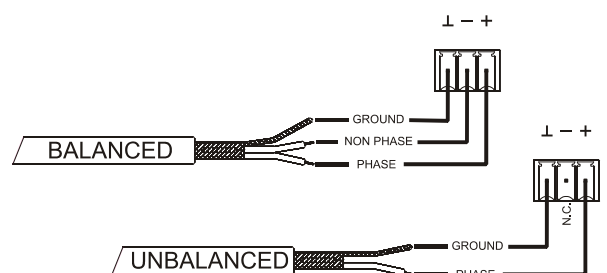
Für einen unsymmetrierten Anschluß muß Pin ⊥ nach Pin - kurzgeschlossen werden.

3.4. Audioausgangsanschlüsse

Die MIMO88 verfügt an ihrer Rückseite über 8 analoge Signalausgänge „OUT“ (8) sowie über 2 zusätzliche Monitorausgänge „MONITOR“ (10); diese sind symmetrisch und mit Linepegel.

Die Signalausgangsanschlüsse sind vom Typ Schraubleiste mit drei Kontakten. Diese sind wie folgt zugewiesen:

Hot oder direktes Signal	>	Terminal +
Cold oder Phasenverkehrtes Signal	>	Terminal -
Masse	>	Terminal ⊥



Für asymmetrische Anschlüsse ist der Pin - nicht anzuschliessen.

3.5. ETHERNET-Port für Programmierung und Steuerung

Ein RJ45-Stecker (11) ermöglicht den Anschluss des Geräts an ein Ethernet-Netzwerk:

- Steuerung über die Anwendung EclerNet Manager. Nähere Information hierzu finden Sie im Handbuch der Applikation EclerNet Manager.
- Möglichkeit des Direktanschlusses (von Punkt zu Punkt) eines Rechners an eine MIMO88.
- Anschluss an Geräte von Drittherstellern (Crestron, AMX, Vity, Medialon, usw., eingetragene Herstellermarken); Verwendetes Protokoll: Ecler TP-NET. Näheres hierzu finden Sie in der Anleitung zum TP-NET-Protokoll.

3.6. LINK-BUS-Verbindungsport für digitale Audiotechnik

Ein RJ45-Stecker (12) erlaubt den Anschluss des Geräts an eine zweite MIMO88-Einheit zum bidirektionalen Austausch digitaler Audiosignale und Steuerdaten zwischen beiden Geräten, wobei sich beide Geräte zusammen dann wie eine einzige Matrix mit 16 Eingängen und 16 Ausgängen verhalten. Die maximal zulässige Entfernung zwischen beiden Geräten bei Anschluss über ein Standardkabel der Kategorie 5 beträgt 100 Meter.

Arbeiten zwei MIMO88-Geräte im 16x16-Mode (verbunden über LINK BUS), so arbeitet eins der Geräte als MASTER und das zweite als SLAVE. Der MASTER- oder SLAVE-Mode wird an den Geräten am Wahlschalter (13) an der Rückseite des Geräts eingestellt. Bei Anlagen mit nur einer MIMO88 kann dieser Wahlschalter auf einer beliebigen Position stehen.

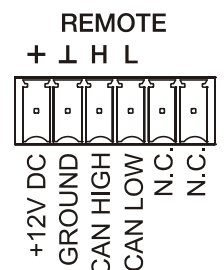
Im 16x16-Mode verhalten sich die beiden Geräte wie ein einziges Gerät mit 16 Eingängen und 16 Ausgängen. Die gesamte Programmierung und Steuerung per Fernbedienung über Ethernet des MASTER-SLAVE-Paars geschieht über die Applikation EclerNet Manager, wobei die Verbindung nur über den Ethernetport des MASTER-Geräts hergestellt wird. Der Ethernetport des SLAVE-Geräts wird nicht benötigt. (Mit Ausnahme von Firmware Updates).

Vorsicht: Für die Verbindung von zwei MIMO88-Geräten über LINK BUS **muss immer ein Crossover-Kabel verwendet werden**, das heisst, ein dezidiertes Kabel CAT5, welches die beiden LINK-BUS-Ports der beiden Geräte bis zu einer maximalen Entfernung von 100 Metern miteinander verbindet, und es darf dazwischen **keinerlei Ethernet- oder sonstige Hardware vorhanden sein**. Nähere Information hierzu finden Sie im Handbuch der Applikation EclerNet Manager.

RJ-45 STECKER VERKABELUNG "CROSSOVER"			
RJ-45 (1)	FARBE	RJ-45 (2)	
PIN 1	WEISS/ORANGE	PIN 3	
PIN 2	ORANGE	PIN 6	
PIN 3	WEISS/GRÜN	PIN 1	
PIN 4	BLAU	PIN 7	
PIN 5	WEISS/BLAU	PIN 8	
PIN 6	GRÜN	PIN 2	
PIN 7	WEISS/BRAUN	PIN 4	
PIN 8	BRAUN	PIN 5	

3.7. REMOTE-Ports 1 und 2 für digitale Fernsteuerung

Die REMOTE-Ports 1 und 2 (14) sind zwei Anschlusspunkte des Digitalbusses der Fernsteuergeräte wie zum Beispiel das Wandgerät WPTOUCH oder die Nachrichtenkonsole (paging) MPAGE16. An jedes dieser Geräte kann ein Zweig des Digitalbusses angeschlossen werden. In diesen Zweigen sind die verschiedenen Fernsteuergeräte miteinander verkettet (daisy-chain) und das letzte dieser Geräte ist mit einem Endwiderstand von 120 Ω zwischen CAN HIGH und CAN LOW belastet.



Nähere Information über den Anschluss und die Steuerung finden Sie in den Unterlagen der jeweiligen Fernsteuergeräte (WPTOUCH, MPAGE16 usw.).

Nähere Information über die Programmierung der MIMO88 für die Betätigung der an REMOTE1 oder REMOTE2 angeschlossenen Fernsteuergeräte finden Sie im Handbuch der Anwendung EclerNet Manager.

3.8. GPI-Ports für Fernsteuerung

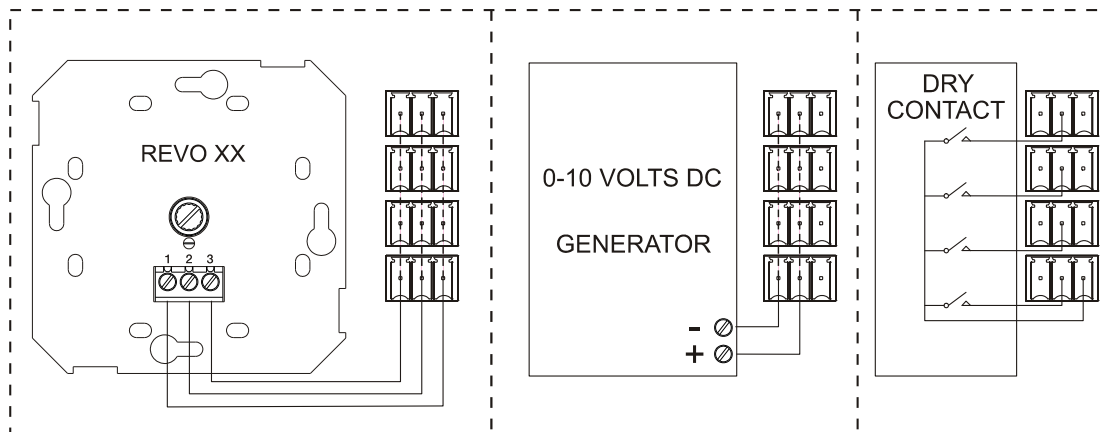
Die MIMO88 verfügt an ihrer Rückseite über 8 GPI-Eingänge (16) zur Kontrolle über Gleichstrom von 0 bis 10 VDC. Jeder dieser Eingänge kann an ein externes Gerät angeschlossen (Potentiometer, Kontaktschluss, variable Gleichspannung 0-10V usw.) und einer Funktion der MIMO88 zugewiesen werden, zum Beispiel:

- Einstellung der Lautstärke des Ein- oder Ausgangskanals oder des Kreuzungspunkts der Audiomatrix über ein physisches Potentiometer WPVOL oder über die Fernbedienung WPVOL-IR aus der WP-Reihe von Ecler
- Aktivierung / Deaktivierung eines MUTE oder SOLO mittels Taster oder Kontaktschluss
- Aufruf eines *preset* mittels Taster oder Kontaktschluss



Die GPI-Anschlüsse sind als schraubbare Klemmleiste mit drei Kontakten ausgeführt. Die Anschlüsse sind wie folgt zugewiesen:

- Positiv, +10 VDC > Anschluss +
- Variable Spannung, 0-10 VDC > Anschluss
- Masse > Anschluss ⊥



Einige Beispiele für Anschlussmöglichkeiten

Die Anschlusskabel können bis zu ca. 500 Meter lang sein, wenn man einen Querschnitt von 0,5 mm² verwendet.

Erkundigen Sie sich bei Ihrem ECLER-Händler oder auf www.ecler.com über die Wandgeräte zur Fernbedienung aus der WP-Reihe und über alles weitere Zubehör für den Anschluss an REMOTE- / VCA-Ports.

3.9. GPO-Ports für Fernsteuerung

Die MIMO88 verfügt an ihrer Rückseite über 8 Relaisausgänge (17) NO / NC (normally open / normally closed). Jeder dieser Ausgänge kann einer Funktion der MIMO88 zugewiesen werden, zum Beispiel einer Taste der Applikation EclerNet Manager (MUTE-Taste, SOLO-Taste usw.). Auf diese Weise ist das Zusammenspiel mit externen Geräten möglich, z.B. mit Antrieben von Projektionswänden oder beweglichen Trennwänden, mit Lichtern, Sirenen, GPI-Eingängen anderer Geräte usw.

3.10. RS-232-Schnittstelle zur Fernsteuerung

Über den RS-232-Anschluss an der Rückseite kann ein externes Gerät mit einer MIMO88-Einheit seriell Daten austauschen. Der Anschluss arbeitet mit der Syntax des TP-NET-Anschlusses, damit das externe Gerät einzelne Parameterwerte der MIMO88-Einheit (über GET-Befehle) auslesen und / oder entsprechende Werte (SET-Befehle) verändern kann. Näheres hierzu finden Sie in der Anleitung zum TP-NET-Protokoll.

Die serielle Verbindung muss folgende Vorgaben erfüllen:

- Baud rate: 57600 (fixed, no autonegotiation)
- Data bits: 8
- Parity: None
- Stop bits: 1
- Flow control: None

VERKABELUNG RS232 – DB9	
RS232	DB9
Tx	Pin 2 (RxD)
Rx	Pin 3 (TxD)
Gnd	Pin 5 (Signal Gnd)

3.11. Bedienelemente und LED-Anzeigen an der Vorderseite

Die MIMO88 verfügt an ihrer Vorderseite über die folgenden Elemente:

- MONITOR-Ausgang (1) (mit Kopfhörer-Symbol gekennzeichnet): es handelt sich hierbei um das gleiche Monitoring-Signal, das an der Rückseite des Geräts über die schraubbare Klemmleiste zur Verfügung steht, in diesem Fall im Format 1/4" Jack TRS und mit Drehregler (2) zur Lautstärkeinstellung für das Abhören mit Kopfhörern. Diese Funktion ist besonders nützlich für das Abhören der am Gerät anliegenden Eingangs- oder Ausgangssignale ohne den normalen Betrieb des Geräts zu beeinträchtigen. Im 16x16 Mode empfangen beide MIMO Einheiten dasselbe Signal. Die Auswahl des abzuhörenden Signals geschieht mittels Steuerungssoftware EclerNet Manager. Nähere Information hierzu finden Sie im Handbuch der Applikation EclerNet Manager.
- LED-Anzeigen der Eingänge (3): diese zeigen an, ob an den Eingängen des Geräts ein Audiosignal anliegt sowie die Pegelintensität dieses Signals (grün, bernsteinfarben und rot - die Farben entsprechen, in dieser Reihenfolge, einer zunehmenden Pegelintensität).
- LED-Anzeigen der Ausgänge (4): diese zeigen an, ob an den Ausgängen des Geräts ein Audiosignal anliegt sowie die Pegelintensität dieses Signals (grün, bernsteinfarben und rot - die Farben entsprechen, in dieser Reihenfolge, einer zunehmenden Pegelintensität).
- Statusanzeigen LED (STATUS):
 - DATA: (5) Anzeige leuchtet nicht: Es gibt keine Verbindung zum EclerNet Manager, auch wenn das Gerät ans ETHERNET angeschlossen ist. Anzeige leuchtet: an den EclerNet Manager oder über TP-NET-Protokoll an eine Anwendung Dritter angeschlossen. Anzeige blinkt: Datenverkehr mit dem EclerNet Manager oder mit sonstigen Anwendungen
 - LINK: (6)
 1. Wenn das Gerät als 8x8 MASTER konfiguriert wurde, bleibt die LED-Anzeige aus.
 2. Wenn das Gerät als 16x16 MASTER konfiguriert wurde:
 - und das Setup korrekt ist (der SLAVE ist angeschlossen und die Kommunikation ist fehlerfrei), so zeigt die LED-Anzeige ein schnelles Blinken an, abwechselnd grün (50ms) und aus (50ms)
 - und ein Kommunikationsfehler mit dem SLAVE vorliegt, so zeigt die LED-Anzeige ein schnelles Blinken an, abwechselnd grün (50ms) und rot (200ms)
 - und kein SLAVE angeschlossen wurde (oder wenn ein zweiter MASTER angeschlossen wurde), so zeigt die LED-Anzeige ein langsames Blinken an, abwechselnd grün (800ms) und rot (200ms)
 3. Wenn das Gerät als SLAVE konfiguriert wurde:
 - und das Setup korrekt ist (der MASTER ist angeschlossen und die Kommunikation ist fehlerfrei), so zeigt die LED-Anzeige ein schnelles Blinken an, abwechselnd orange (50ms) und aus (50ms)
 - und ein Kommunikationsfehler mit dem MASTER vorliegt, so zeigt die LED-Anzeige ein schnelles Blinken an, abwechselnd orange (50ms) und rot (200ms)
 - und kein MASTER angeschlossen wurde (oder wenn ein zweiter SLAVE angeschlossen wurde), so zeigt die LED-Anzeige ein langsames Blinken an, abwechselnd orange (800ms) und rot (200ms)
 - POWER: (7) leuchtet, wenn das Gerät eingeschaltet ist. Blinkt die Anzeige, so gibt es eine Störung im Gerät oder die Firmware ist nicht in Ordnung. Blinkt auch bei Update der Firmware.

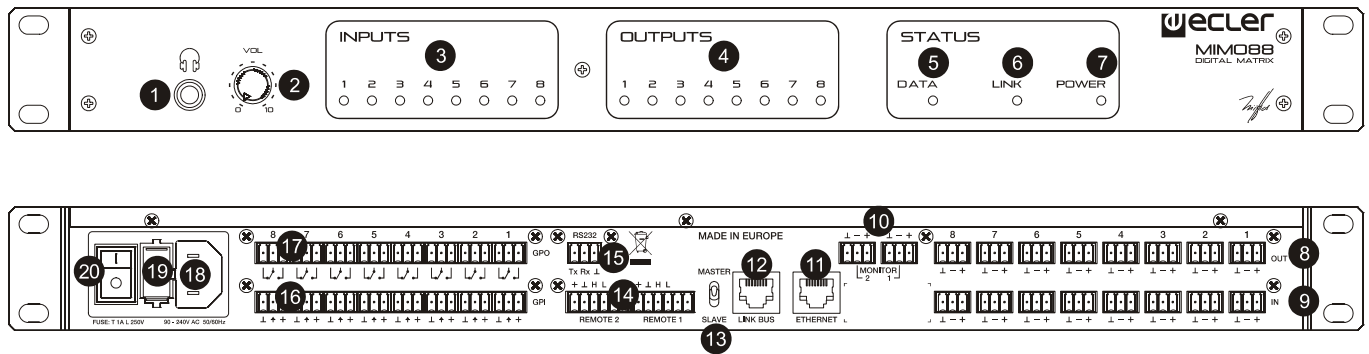
4. REINIGUNG

Die Frontplatte darf nicht mit lösungsmittelhaltigen oder scheuernden Substanzen gereinigt werden, da hierbei die Oberfläche beschädigt werden könnte. Verwenden Sie zur Reinigung der Frontplatte ein feuchtes Tuch und etwas milde Seifenlauge. Trocknen Sie danach die Oberfläche sorgfältig ab. Lassen Sie niemals Wasser in die Öffnungen der Frontplatte gelangen.

5. FUNKTIONSLISTE

1. Stereo Kopfhörerbuchse
2. Lautstärke-Regler für Kopfhörer-Ausgang, VOL
3. Leuchtanzeigen Eingangssignal, INPUTS
4. Leuchtanzeigen Ausgangssignal, OUTPUTS
5. Leuchtanzeige für Datenverkehr, DATA
6. Leuchtanzeige für Verbindung mit anderem Gerät, LINK
7. Leuchtanzeige für Inbetriebsetzung, POWER
8. Schraubbare Klemmleiste Signalausgang, OUT
9. Schraubbare Klemmleiste Signaleingang, IN
10. Schraubbare Klemmleiste Signalausgang, MONITOR
11. RJ45 Buchse, ETHERNET
12. RJ45 Buchse, LINK BUS
13. Master-Slave-Wählschalter, MASTER SLAVE
14. Schraubbare Anschlüsse für digitale Fernbedienung, REMOTE
15. Schraubbare Anschlüsse für Fernsteuerung nach dem Protokoll TP-NET, RS-232
16. Schraubbare Anschlüsse zur Steuerung mit Gleichstrom, GPI
17. Schraubbare Anschlüsse Relaisausgang, GPO
18. Netzanschlußbuchse
19. Sicherungshalter
20. Netzanschluß

6. FUNKTIONSDIAGRAMM



EN

7. TECHNICAL CHARACTERISTICS 7. CARACTERISTIQUES TECHNIQUES

ES

FR

DSP

DE

DSP
Sampling Rate
Latency IN to OUT

7. CARACTERÍSTICAS TÉCNICAS 7. TECHNISCHE DATEN

2x 32/64bit
48kHz
<2.9ms (+1ms for 16x16)

Converters

Resolution
Dynamic Range

24bit AKM
AD:110dB, DA: 115dB

Analog

8 Input/Output (expandable to 16x16)
2 monitor output
Headphones related
Analog Input headroom
Max. output level
Input sensitivity @ 0dBV out
Input Impedance
Phantom power
Headphones
Frequency response (-3dB)
Flatness
THD+Noise @ 1kHz, 0dBV input (line)
THD+Noise @ 1kHz, -40dBV input (mic.)
Output Noise floor FFT (20Hz - 20kHz)
Interchannel crosstalk (20Hz - 20kHz)
Channel Leakage (20Hz - 20kHz)
CMRR 20Hz- 20kHz

Terminal block (Symmetrical)
Terminal block (Symmetrical)
Jack ¼
+27dBV = +30dBu
+18dBV = +21dBu
From -50dBV to +10dBV in 0.5dB step
Balanced, >4kΩ
+42VDC, 5mA max. software switched
>200mW/200Ω
5Hz to 24kHz
better than ±0.1dB
<0.004%
<0.008%
better than 115dB
better than 90dB (100dB typ.)
better than 100dB (115dB typ.)
65dB typ.

Processing

Input Level (x8)	Range: from Off to 0 dB Mute: Yes Signal Polarity reverse: Yes Metering: VU+clip pre & post fader
Output Level (x8)	Range: from Off to 0 dB Mute: Yes Solo: Yes Signal Polarity reverse: Yes Metering: VU+clip pre & post fader
Output Gain (x8)	Range: from 0 to +6 dB
Input Delay (x8)	from 0 to 1000 ms Units: sec/ms/m/cm.
Output Delay (x8)	from 0 to 1000 ms Units: sec/ms/m/cm.
Parametric Eq. Types (4 max per input) (8 max per output)	Bypass / On-Off all channels Param Eq. Freq: 20Hz-20kHz; Gain: -60/+12 dB Q: 0.3 to 200 Low & High Shelf 6/12 dB/oct Low & High Pass 6/12 dB/oct All Pass 1/2 order
High & Low pass output Crossover filters (x8)	Bypass On-Off Butterworth in 6/12/18/24 dB/oct Bessel in 12/18/24 dB/oct Linkwitz-Riley in 12/24 dB/oct
Input Noise Gate (x8)	Bypass On-Off Threshold: from -80 dBV to +18 dBV Depth: 0 dB to 80 dB Knee: hard / soft Attack time: from 0,1 ms. to 500 ms. Hold time: from 10 ms. to 3000 ms. Release time: from 10 ms. to 1000 ms.
Input Compressor / Limiter (x8)	Bypass On-Off Threshold: from -36 dBV to +18 dBV Ratio: 1:1 to inf:1 (limiter) Knee: hard / soft Attack time: from 0,1 ms. to 500 ms. Release time: from 10 ms. to 1000 ms. Make up gain: from 0 to +10 dB
Input Frequency Shifter (x8) (Feedback Loop Reducer)	Per input. ON / OFF function



Output Limiter (x8)

Bypass On-Off
Threshold: from -36 dBV to +18 dBV
Ratio: inf:1 (limiter)
Attack time: from 0,1 ms. to 500 ms.
Release time: from 10 ms. to 1000 ms.

Built in Signal Generator

Sine: from 20 Hz to 20 kHz
Polarity: from 20 Hz to 20 kHz
White noise
Pink noise

Stereo Linking

Adjacent input / output channels
Linked processing
Matrix routing linked

Mix Matrix

Size: 8x8 (1-MIMO88)
Size: 16x16 (2-MIMO88 with expan. link bus)
Vol: Input, Output, Crosspoint
Mute: Set/Clear individual, row, column, all
Input /output Mono/stereo selector
Meter: Input /output VU and clip

Pager (x4)

Input: IN1 to IN8 (or to IN16 in 16x16)
Priorities: 4 (1 max, 4 min)
Depth: 0 dB to 80 dB
Attack time: from 0,1 ms. to 500 ms.
Release time: from 10 ms. to 1000 ms.
Chime Source: None, Melody 1, Melody 2
Chime Volume: from -12 dB to 0 dB

Mechanical

Dimensions
Weight

482.6x44x266.5mm
3.5kg

Supply

Mains
Power consumption

90-264VCA 47-63Hz
75VA

Miscellaneous

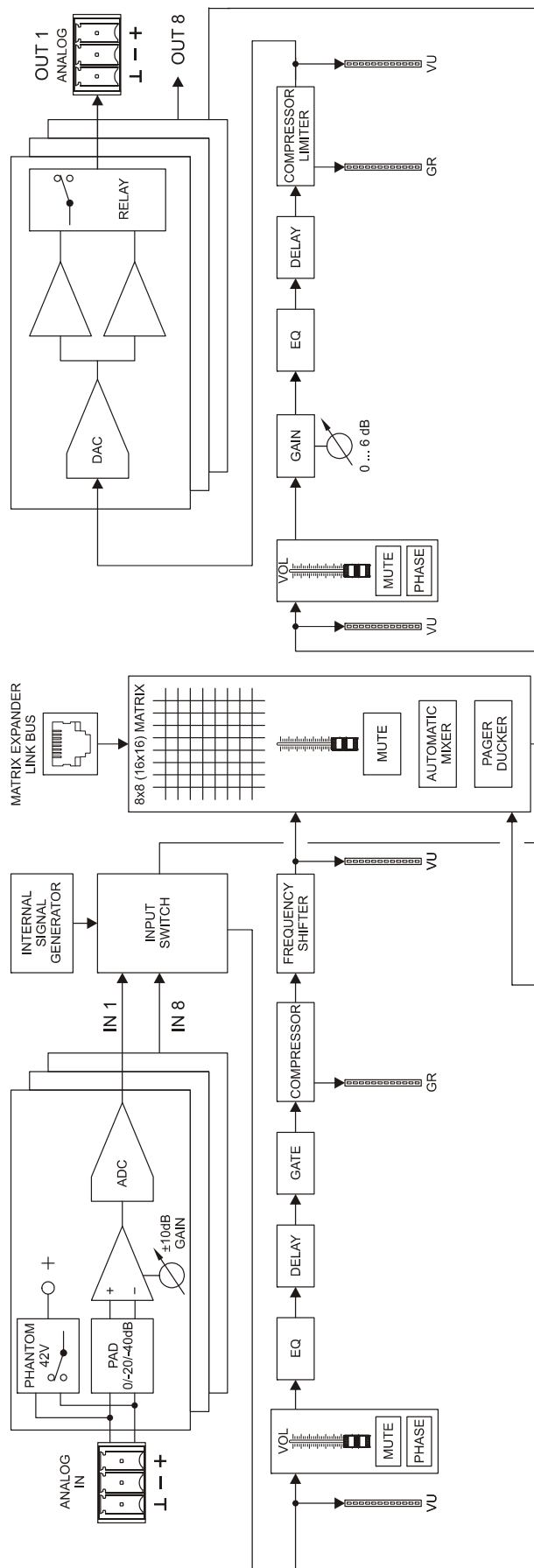
Management Connectivity
Expansion LINK BUS (16x16 ch.)
Remote Bus
GPI
GPO
Aux. Power Supply for Remotes & GPI
Time and date retention (battery)
RTC accuracy

Ethernet Base-Tx 10/100Mb Auto X-Over CAT5 up to 100m.
Proprietary over CAT5, Xover cable up to 100m.
2, over twisted pairs; up to 1km (see specific specs.)
8, from 0 to 10VDC or TTL level
8, 3 poles isolated relay; 1A, 48VDC max.
+12VDC, 1.2A. max. (short circuit protected)
1 month aprox. (ambient temperature dependant)
±1 minute /year

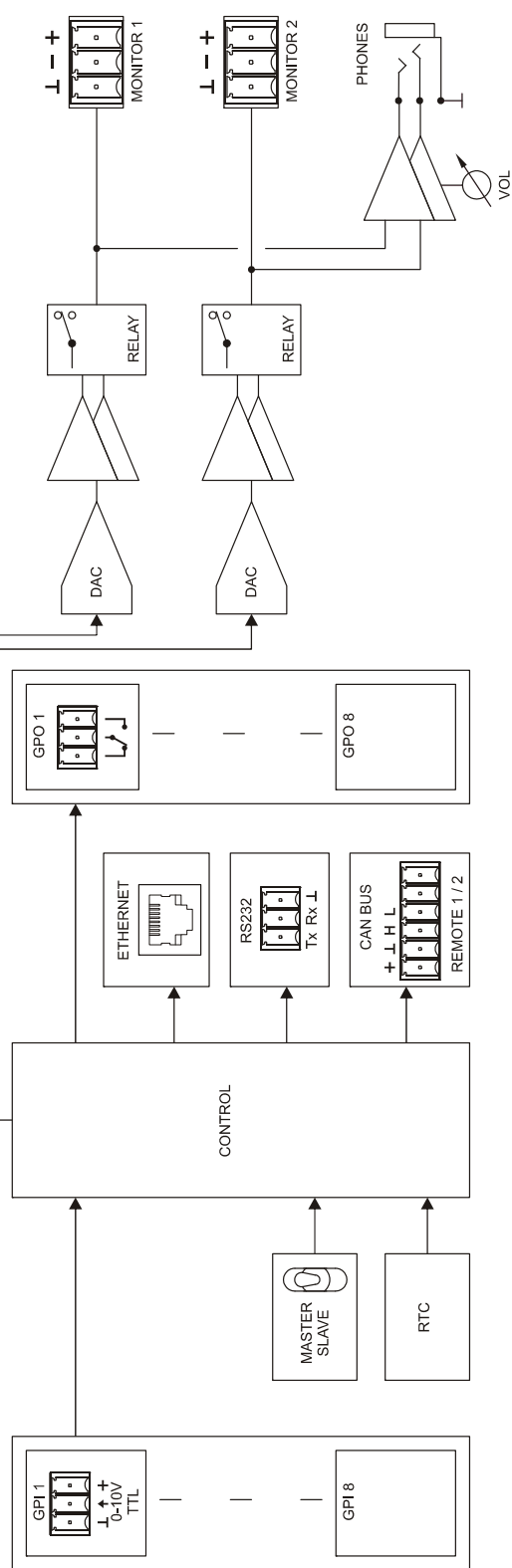
SOFTWARE

EclerNet Manager

8. BLOCK DIAGRAM
8. DIAGRAMME DE BLOCS



8. DIAGRAMA DE BLOQUES
8. BLOCKSCHATBILD





50.0215.01.05

NEEC AUDIO BARCELONA S.L.
Motors 166-168, 08038 Barcelona, Spain
INTERNET <http://www.ecler.com> E-mail: info@ecler.es