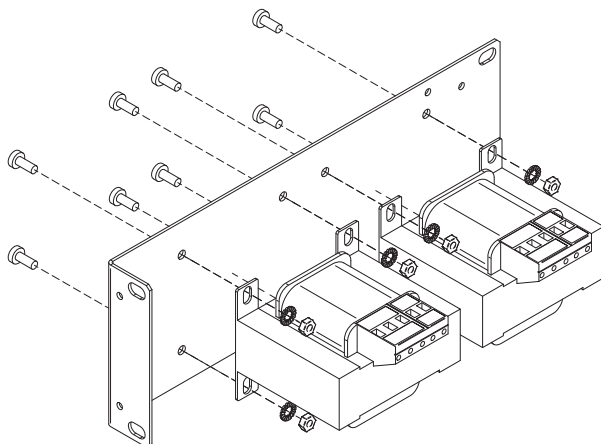


# TR2-70

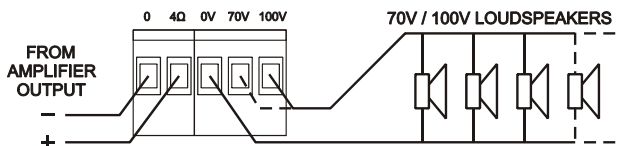
ASSEMBLY AND INSTALLATION  
MONTAGE ET INSTALLATION

MONTAJE E INSTALACIÓN  
MONTAGE UND INSTALLATION



CONNECTIONS  
CÂBLAGE

CONEXIONADO  
ANSCHLÜSSE



TECHNICAL CHARACTERISTICS  
CARACTÉRISTIQUES TECHNIQUES

CARACTERÍSTICAS TÉCNICAS  
TECHNISCHE DATEN

Output voltages

70/100V

Power rating

80W RMS MAX

Input impedance at maximum power

4  $\Omega$

Frequency response (-3dB)

35Hz±20kHz

Dimensions (each transformer WxDxH)

77x65x87mm

Weight (each transformer)

1.2kg



ECLER Laboratorio de Electro-acústica S.A.  
Motors 166-168, 08038 Barcelona, Spain  
INTERNET <http://www.ecler.com> e-mail: [info@ecler.es](mailto:info@ecler.es)