

## TRAIL103

ACOUSTIC CABINETS

*Lighting rail mount loudspeaker*



**USER MANUAL**

# INDEX

1. IMPORTANT REMARK .....	3
2. IMPORTANT SAFETY INSTRUCTIONS .....	3
3. IMPORTANT NOTE .....	5
4. INTRODUCTION .....	5
5. MAIN FEATURES .....	5
6. CONNECTING .....	6
7. LOCATION AND FITTING .....	7
7.1. How to install on a lighting track:.....	8
7.2. How to install on a surface:.....	9
7.3. Procedure for installing on a truss or threaded bar:.....	12
8. TECHNICAL SPECIFICATIONS .....	14
9. PACKAGING CONTENT .....	14

## 1. IMPORTANT REMARK




**WARNING: SHOCK HAZARD - DO NOT OPEN**  
**AVIS: RISQUE DE CHOC ÉLECTRIQUE - NE PAS OUVRIR**



The lightning flash with arrowhead symbol, within an equilateral triangle, is intended to alert the user to the presence of uninsulated “dangerous voltage” within the product’s enclosure that may be of sufficient magnitude to constitute a risk of electric shock to persons.



The exclamation point within an equilateral triangle is intended to alert the user to the presence of important operating and maintenance (servicing) instructions in the literature accompanying the appliance.

**WARNING (If applicable):** The terminals marked with symbol of “” may be of sufficient magnitude to constitute a risk of electric shock. The external wiring connected to the terminals requires installation by an instructed person or the use of ready-made leads or cords.

**WARNING:** To prevent fire or shock hazard, do not expose this equipment to rain or moisture.

**WARNING:** An apparatus with Class I construction shall be connected to a mains socket-outlet with a protective earthing connection.

## 2. IMPORTANT SAFETY INSTRUCTIONS

1. Read these instructions.
2. Keep these instructions.
3. Heed all warnings.
4. Follow all instructions.
5. Do not use this apparatus near water.
6. Clean only with dry cloth.
7. Do not block any ventilation openings. Install in accordance with the manufacturer’s instructions.

8. Do not install near any heat sources such as radiators, heat registers, stoves, or other apparatus (including amplifiers) that produce heat.
9. Do not defeat the safety purpose of the polarized or grounding type plug. A polarized plug has two blades with one wider than the other. A grounding type plug has two blades and a third grounding prong. The wide blade or the third prong are provided for your safety. If the provided plug does not fit into your outlet, consult an electrician for replacement of the obsolete outlet.
10. Protect the power cord from being walked on or pinched particularly at the plugs, convenience receptacles, and at the point where they exit from the apparatus.
11. Only use attachments/accessories specified by the manufacturer.
12. Unplug the apparatus during lightening sorts or when unused for long periods of time.
13. Refer all servicing to qualified personnel. Servicing is required when the apparatus has been damaged in any way, such as power supply cord or plug is damaged, liquid has been spilled or objects have fallen into the apparatus, the apparatus has been exposed to rain or moisture, does not operate normally, or has been dropped.
14. Disconnecting from mains: Switching off the POWER switch all the functions and light indicators of the amplifier will be stopped, but fully disconnecting the device from mains is done unplugging the power cord from the mains input socket. For this reason, it always shall remain readily operable.
15. Equipment is connected to a socket-outlet with earthing connection by means of a power cord.
16. The marking information is located at the bottom of apparatus.
17. The apparatus shall not be exposed to dripping or splashing and that no objects filled with liquids, such as vases, shall be placed on apparatus.

**NOTE:** This equipment has been tested and found to comply with the limits for a Class A digital device, pursuant to part 15 of the FCC Rules. These limits are designed to provide reasonable protection against harmful interference when the equipment is operated in a commercial environment. This equipment generates, uses, and can radiate radio frequency energy and, if not installed and used in accordance with the instruction manual, may cause harmful interference to radio communications. Operation of this equipment in a residential area is likely to cause harmful interference in which case the user will be required to correct the interference at his own expense.



**WARNING:** This product must not be discarded, under any circumstance, as unsorted urban waste. Take to the nearest electrical and electronic waste treatment centre.

**NEEC AUDIO BARCELONA, S.L.** accepts no liability for any damage that may be caused to people, animal or objects due to failure to comply with the warnings above.

### 3. IMPORTANT NOTE

Thank you for choosing our Ecler **TRAIL103 Lighting rail mount loudspeaker!**

It is **VERY IMPORTANT** to carefully read this manual and to fully understand its contents before any connection in order to maximize your use and get the best performance from this equipment.

To ensure optimal operation of this device, we strongly recommend that its maintenance be carried out by our authorised Technical Services.

Ecler **TRAIL103** comes with a **1-year** warranty.

### 4. INTRODUCTION

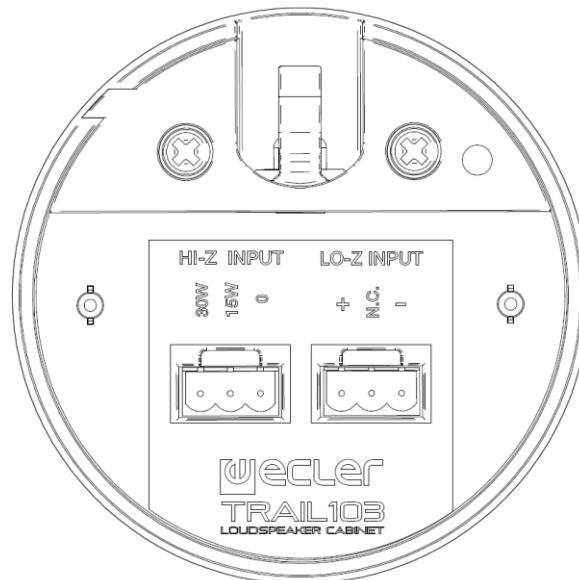
Ecler TRAIL103 is a 3" loudspeaker with the appearance of a lamp. It is fitted with a three-fold installation system: in lighting rail, on a surface and using an adapter for a truss or threaded bar. It includes connections for low impedance (4 ohm) and for high impedance (15W and 30W). Available in white and black colours.

### 5. MAIN FEATURES

- 3" loudspeaker
- Installation options in lighting rail (GLOBAL Trac Pro), on a surface and using an adapter for a truss or threaded bar.
- Connection for low impedance: 4 ohm.
- Connection for high impedance: 15/30W connector
- Available in white (RAL 9003) and in black (RAL 9005)

## 6. CONNECTING

The TRAIL103 accepts high or low impedance operation. In this regard, the rear panel is fitted with 2 Euroblock connectors to allow for setting the work mode. The HI-Z INPUT connector allows the system to operate in high impedance (100V line) and the LO-Z INPUT connector in low impedance (\*).



The 100V line connector makes it possible to set the maximum power with which each unit will operate. So in areas where a low noise level is required, the 0 and 15W terminals are used to connect the loudspeaker, while in areas where a higher level is required, the 0 and 30W terminals are used.

Note: in the event of using the loudspeaker in 70V installations, the corresponding power ratings for the 100V position are reduced to half those indicated in the connector terminals. In the case of 50V installations, they are reduced to a quarter.

The low impedance connector allows for setting the loudspeakers so that they operate under these conditions, with a maximum power rating of 30W. In the event of adopting this setting, the limitations of the amplifier must be taken into account when connecting several loudspeakers to the output, especially if the impedance of the unit falls below 4Ω. Furthermore, it is important for the connecting cable joining the outputs on the amplifier and the loudspeakers is good quality and as short as possible. This becomes particularly important when the distances to cover are considerable and the loudspeaker impedance is low.

**(\*) Note:** The loudspeaker distribution system on a 100V/70V line historically arose from the technical need to mix loudspeakers with different impedances and/or power ratings on the same line or amplification channel, all this without the need to be concerned about the total impedance of the resulting whole. Additionally, this system makes it possible, with minimum losses of impedance, to use long stretches of cable and a slightly shorter section than that normally used in low impedance installations.

**ATTENTION! :** If the system is accidentally connected to an amplifier with a low impedance output, via the high impedance terminals (HI-Z INPUT connector), no damage will occur to the loudspeaker, but it will operate far below its performance features. In the event of accidentally connecting the loudspeaker to a low impedance 100V network (LO-Z INPUT connector), this will seriously damage it.

## 7. LOCATION AND FITTING

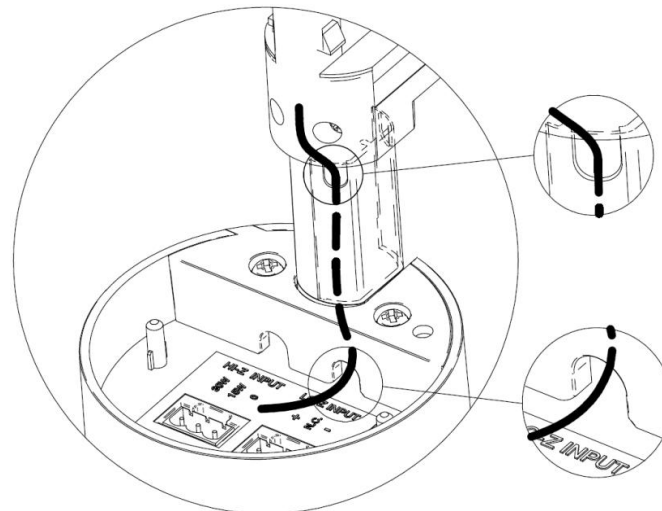
The TRAIL103 offer different fitting systems. Included in the packing you will find all the accessories needed for the different options: installation on a lighting rail, on a surface (wall or ceiling) and in a threaded bar or truss.

The following rules should be followed:

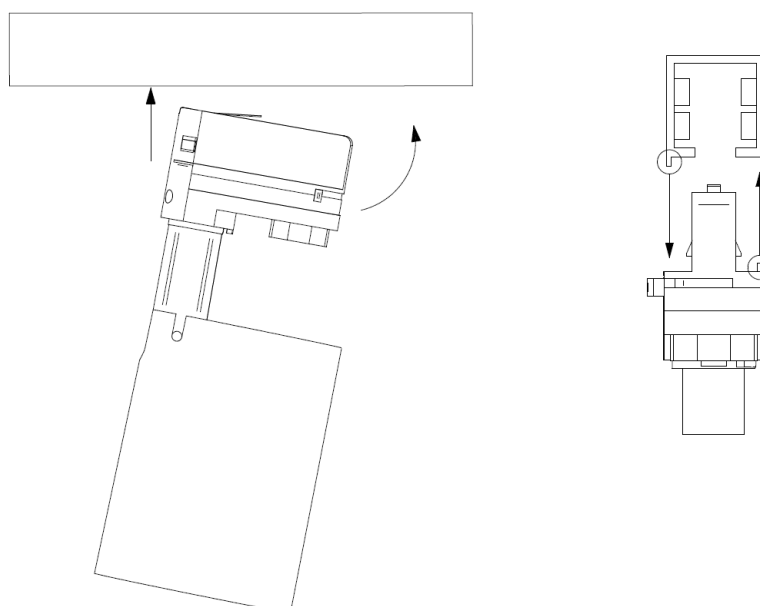
- At all times, install the unit on solid, firm surfaces if choosing to install on a surface (ceiling/wall).
- Installation on a lighting rail: TRAIL103 is compatible with 4 thread/3 circuit lighting rail systems.
- For good sound reproduction, there should be no obstacle between the loudspeakers and those listening.
- Adjust the sound pressure levels to the playback needs. Despite its small size, TRAIL103 has a performance far higher than domestic loudspeakers.

### 7.1. How to install on a lighting track (GLOBAL Trac Pro):

1. Remove the side covers covering the loudspeaker arm.
2. Thread the audio cables through the holes so that the cable is then hidden under the side covers.
3. Break the lug on the side cover to take out the cable. Use pliers to do this.



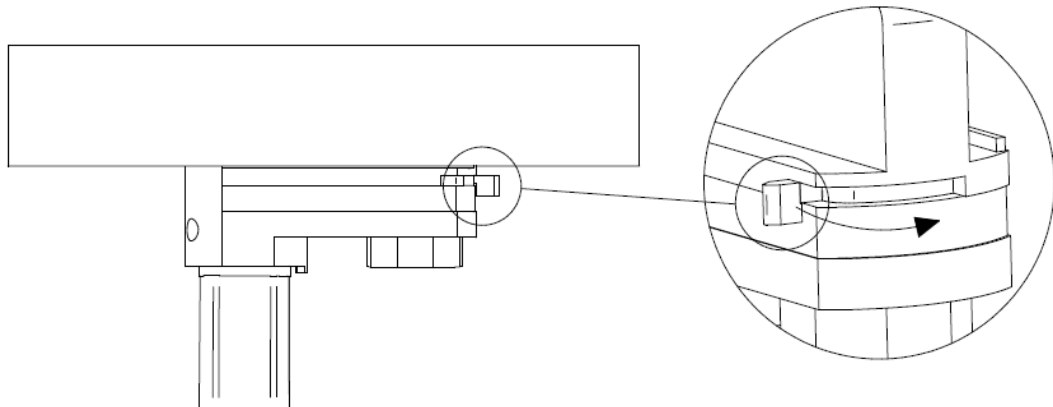
4. Place the side covers threading the audio cable through the hole made. Exert slight pressure on the covers until they are firmly in place.
5. Connect up the loudspeaker. Consult the chapter “CONNECTING” for further details.
6. Fit the rear cover.
7. Place the loudspeaker on the lighting rail, as shown in the illustrations.



Connection to a GLOBAL Trac Pro rail (three-circuit lighting track system)



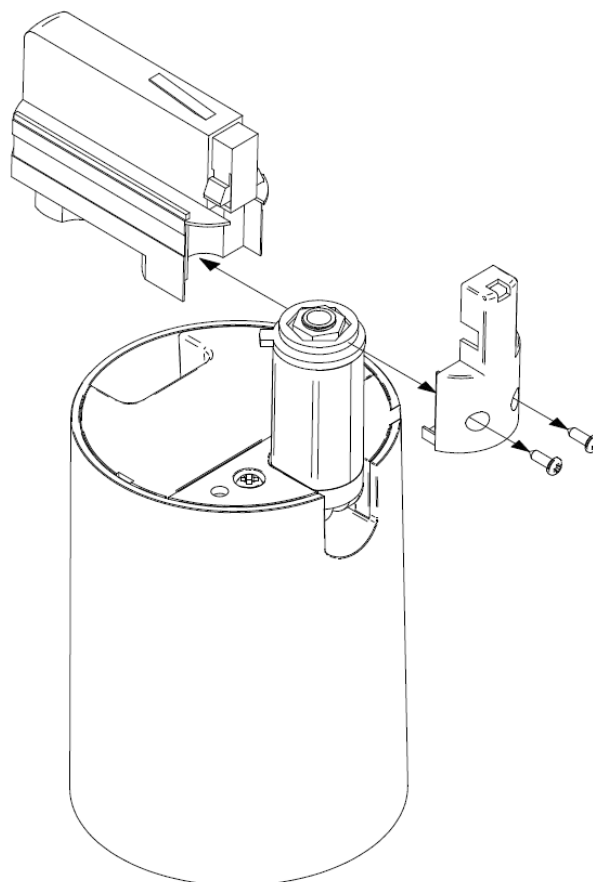
8. Ensure that the adapter wheel is in the OFF position. Rotate the safety lug to secure the loudspeaker on the lighting rail. Rotate the wheel until in a position other than OFF and the safety lug will be blocked



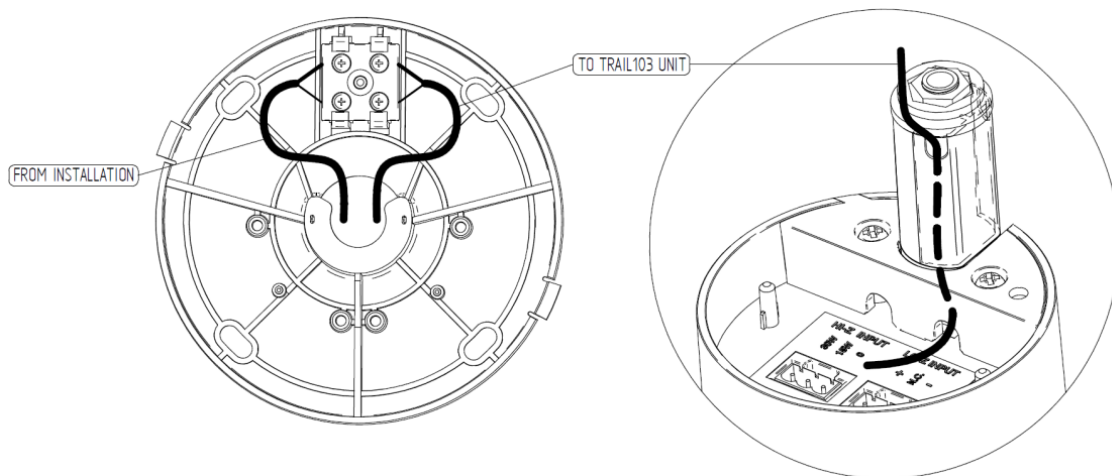
9. Orientate the loudspeaker to obtain the required position on the vertical and horizontal axes.

#### 7.2. How to install on a surface:

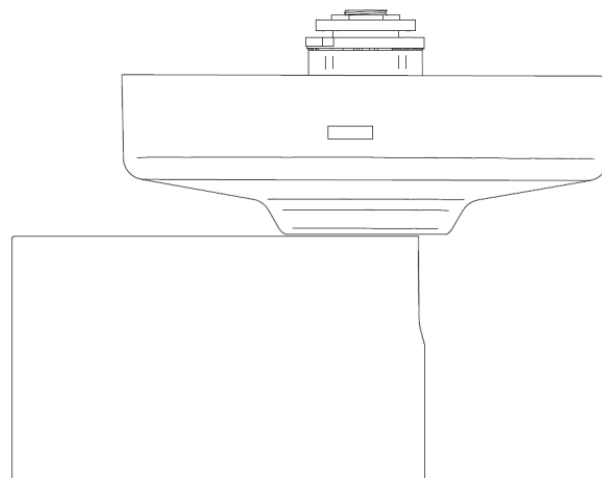
1. Remove the fitting accessory on the lighting rail. To do this, remove the securing screws, as shown in the illustration.



2. Thread the audio cables through the hole in the base. This is fitted with a socket inside the base to ease making connections (optional).

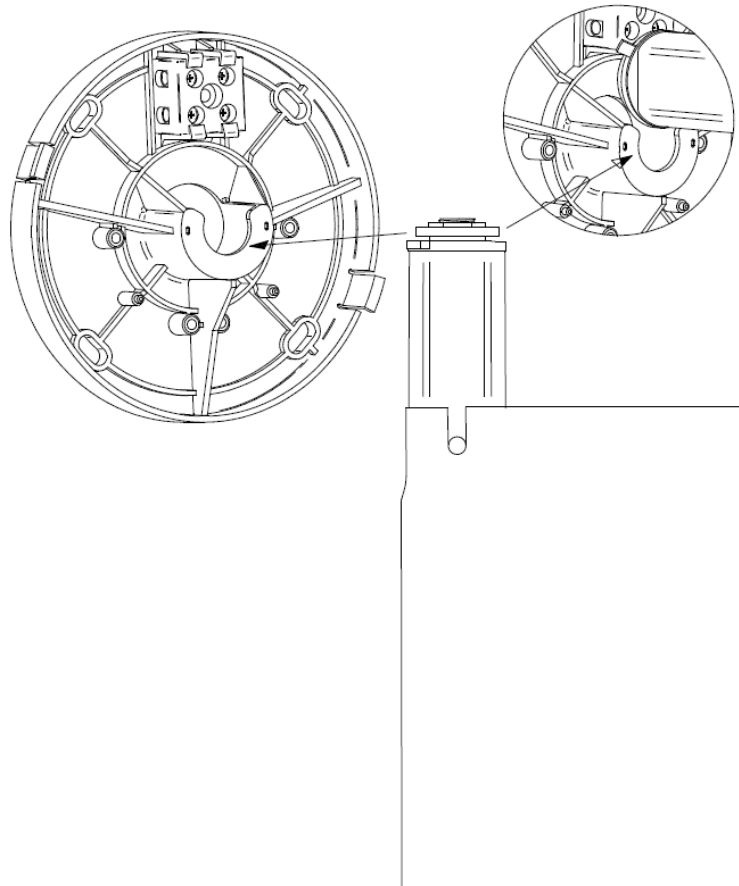


3. Attach the base to the surface. Make sure that the surface is solid and firm. To this end, it has 4 holes. It is advisable to use  $\varnothing 4\text{mm}$  screws (not included).
4. Push the cover on the base through the loudspeaker arm to make the connections.

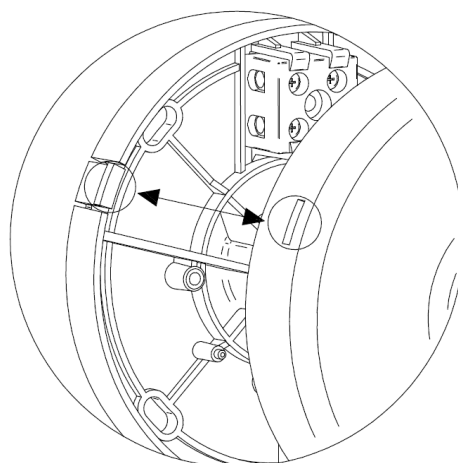


5. Make the connections. Follow steps 1 to 6 shown in the previous section: installing the lighting rail.

6. Insert the attachment for the loudspeaker arm on the previously installed based, in line with the following illustration.



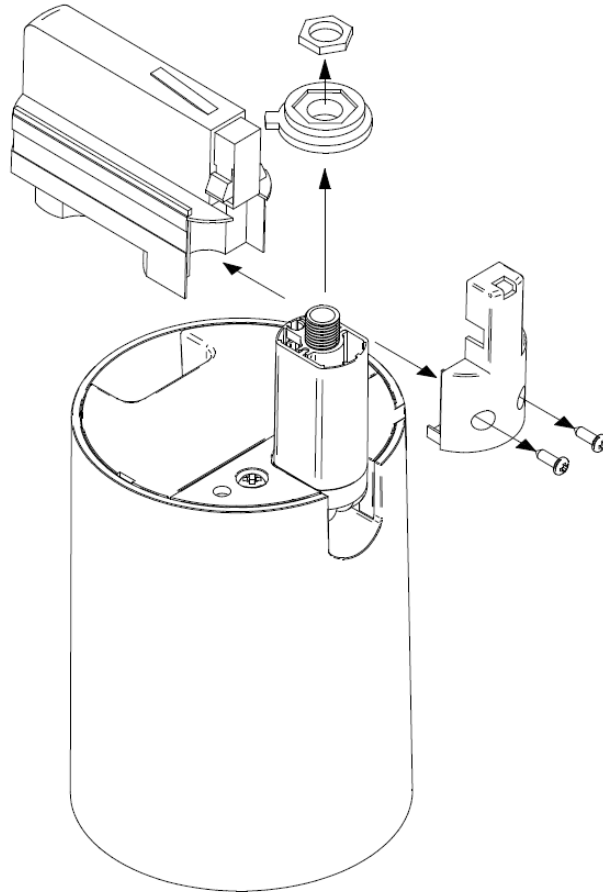
7. Attach the cover to the base. To do so, apply pressure to the cover against the base so that the groove and lugs are in line. You will hear a click when it is attached.



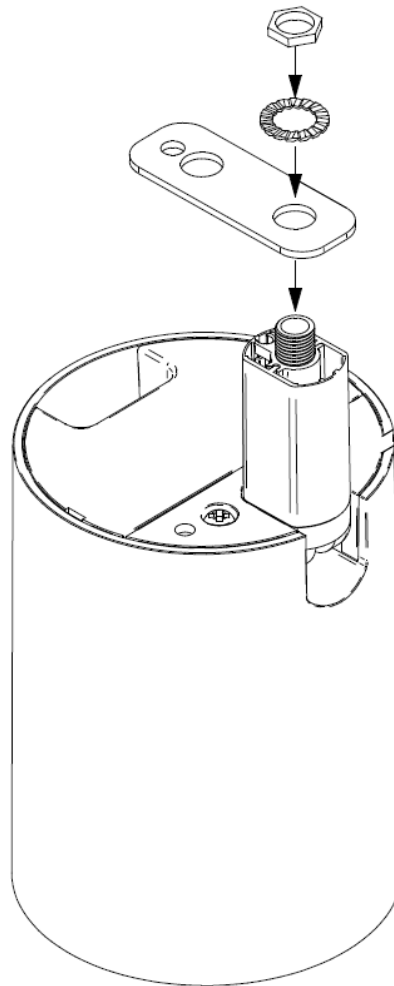
8. Orientate the loudspeaker to obtain the required position with the vertical and horizontal axes.

### 7.3. Procedure for installing on a truss or threaded bar:

1. Remove the lighting rail mounting accessory. To do so, remove the attachment screws, as shown in the illustration. Also remove the washer and plastic part on the loudspeaker arm.



2. Secure the mounting accessory on the threaded bar or truss, as shown in the illustration below.



3. Make the connections. Follow steps 1 to 6 as detailed in the previous section: installing on lighting rail.
4. Secure the loudspeaker on the threaded bar or truss and orientate the loudspeaker until obtaining the required position on the vertical and horizontal axes.

## 8. TECHNICAL SPECIFICATIONS

<b>Ways</b>	1
<b>Driver diameter</b>	3"
<b>RMS power</b>	30 W
<b>Power connections</b>	Lo-Z: 4Ω; Hi-Z: 15/30 W @ 100V
<b>Input impedance</b>	4Ω/667Ω/333Ω
<b>High frequency response</b>	20 kHz
<b>Sensitivity 1W/1m</b>	83 dB
<b>Dimensions (without arm)</b>	Ø96mm x 110mm
<b>Fixing system</b>	4 wire 3 circuit rail system
<b>Support arm</b>	Swivel (pan and tilt)
<b>Connection type</b>	Euroblock terminals 3C
<b>Weight</b>	1.00 kg

## 9. PACKAGING CONTENT

- TRAIL103
- Accessory for mounting on a GLOBAL Trac Pro lighting rail (installed in the loudspeaker)
- Accessory for mounting on a surface (2 parts: base + cover)
- Accessory for mounting on a threaded bar or truss (2 parts: plate + M10 serrated washer)
- Rear loudspeaker cover
- Euroblock connector 3C P=5.08
- Screw 5.1x20 (for securing the safety cable, not included)
- Brief User's Guide
- Guarantee card

All product characteristics are subject to variation due to production tolerances. **NEEC AUDIO BARCELONA S.L.** reserves the right to make changes or improvements in the design or manufacturing that may affect these product specifications.

Motors, 166-168 08038 Barcelona - Spain - (+34) 932238403 | [information@ecler.com](mailto:information@ecler.com) | [www.ecler.com](http://www.ecler.com)