

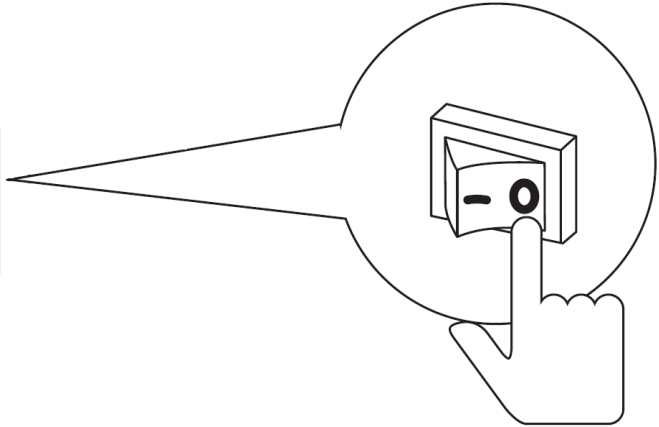
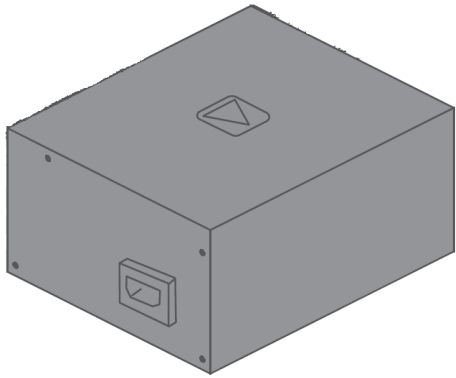
GAMDIAS

ASTRAPE^{WHITE} | M1-550W

80 Plus Certified 550W Power Supply

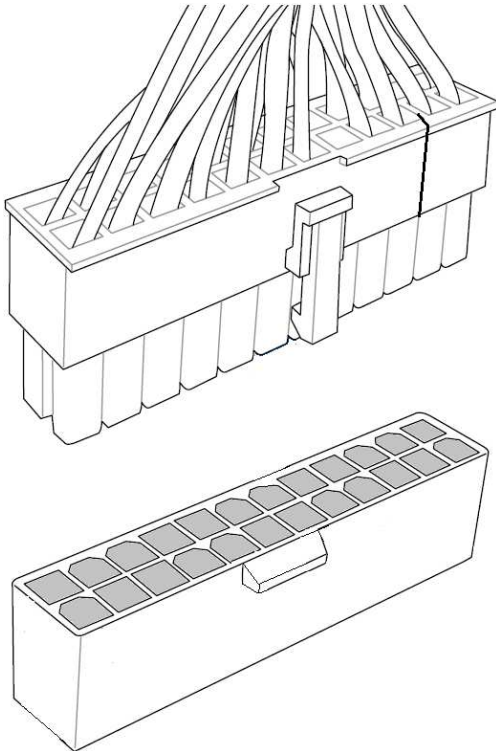


1

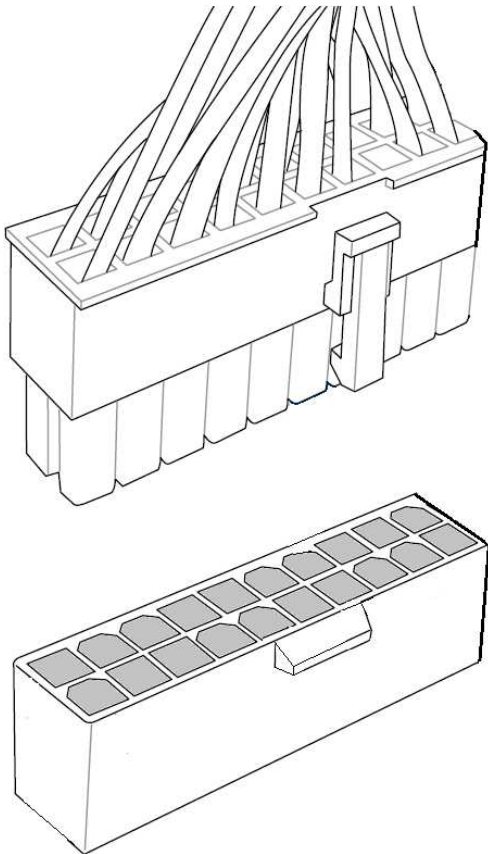


2 Motherboard

20+4 Pin

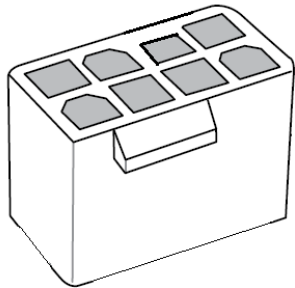
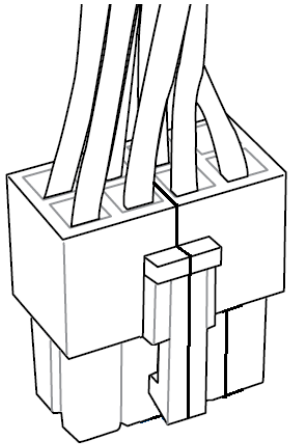


20 Pin

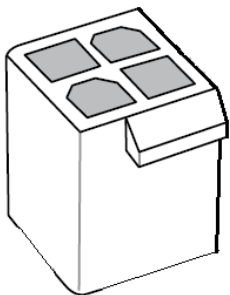
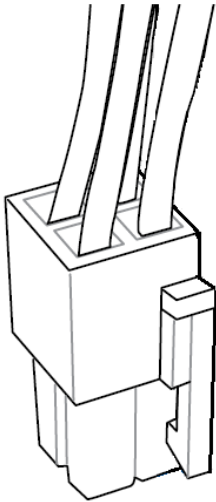


3 CPU

4+4 Pin

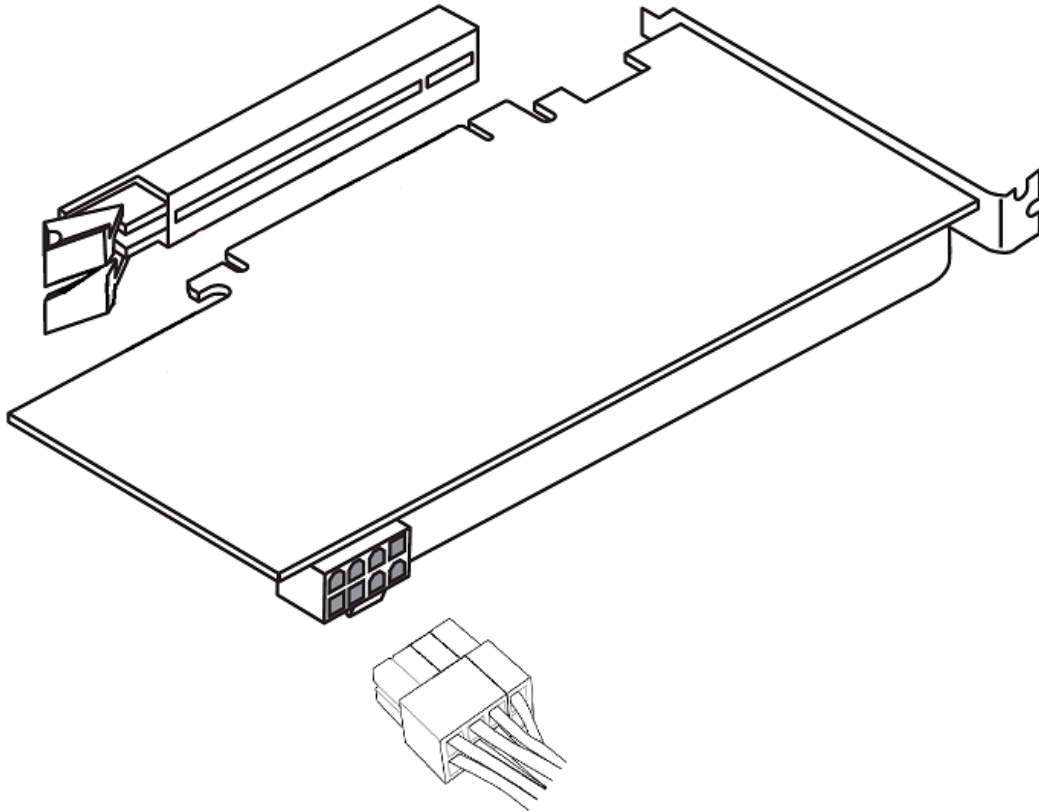


4 Pin

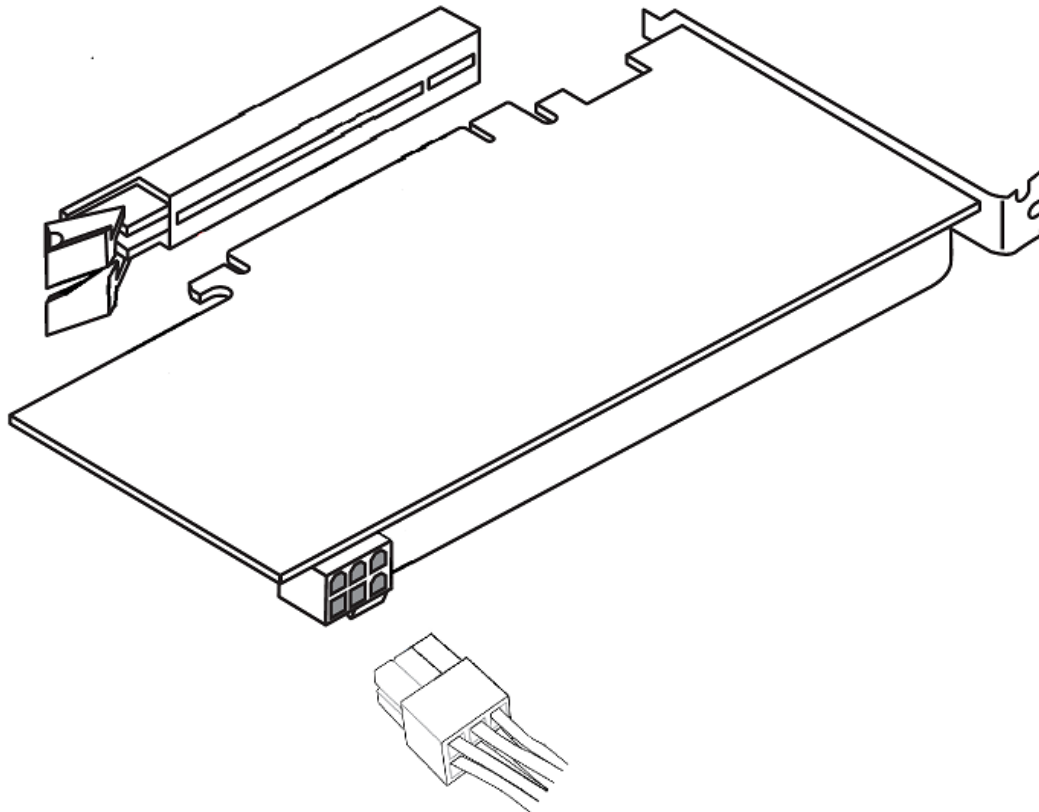


4 PCI-E

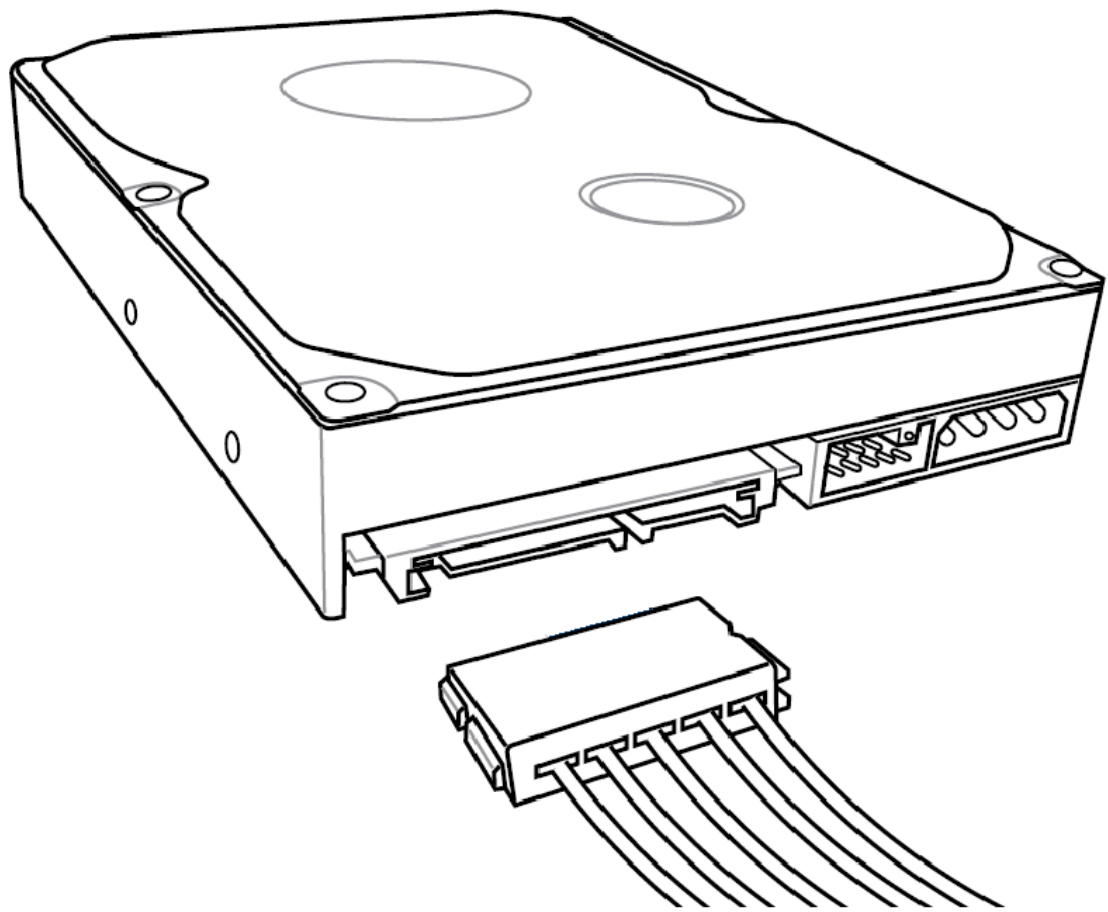
6+2 Pin



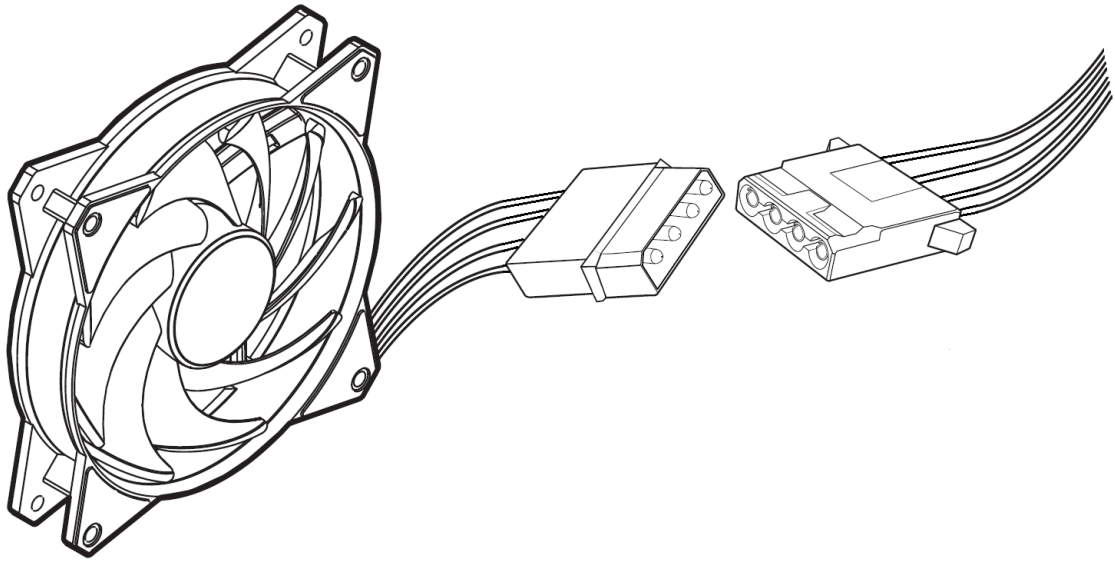
6 Pin



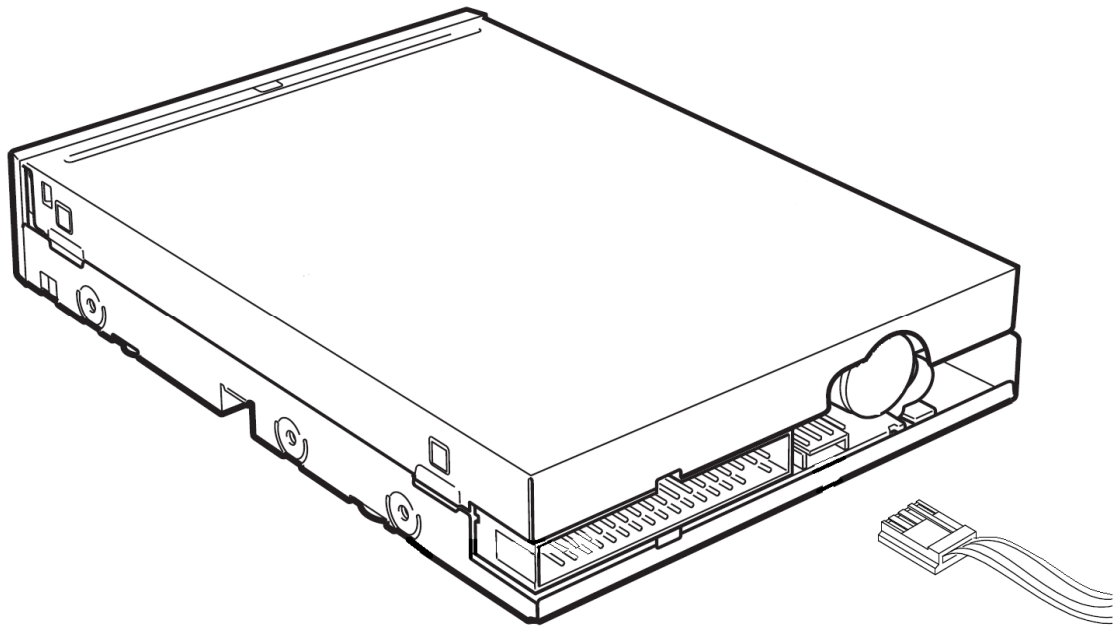
5 SATA



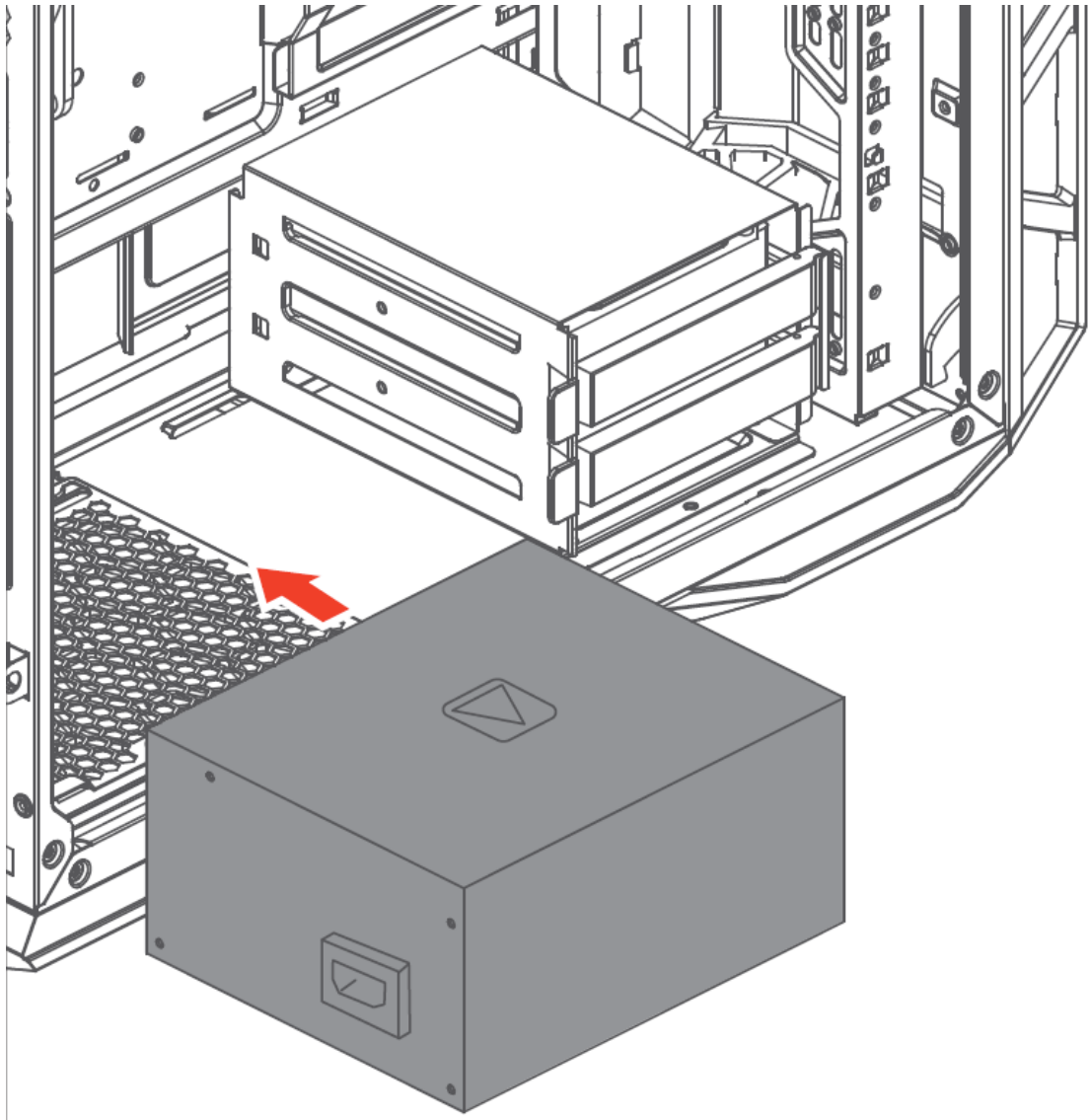
6 Peripheral (Molex)



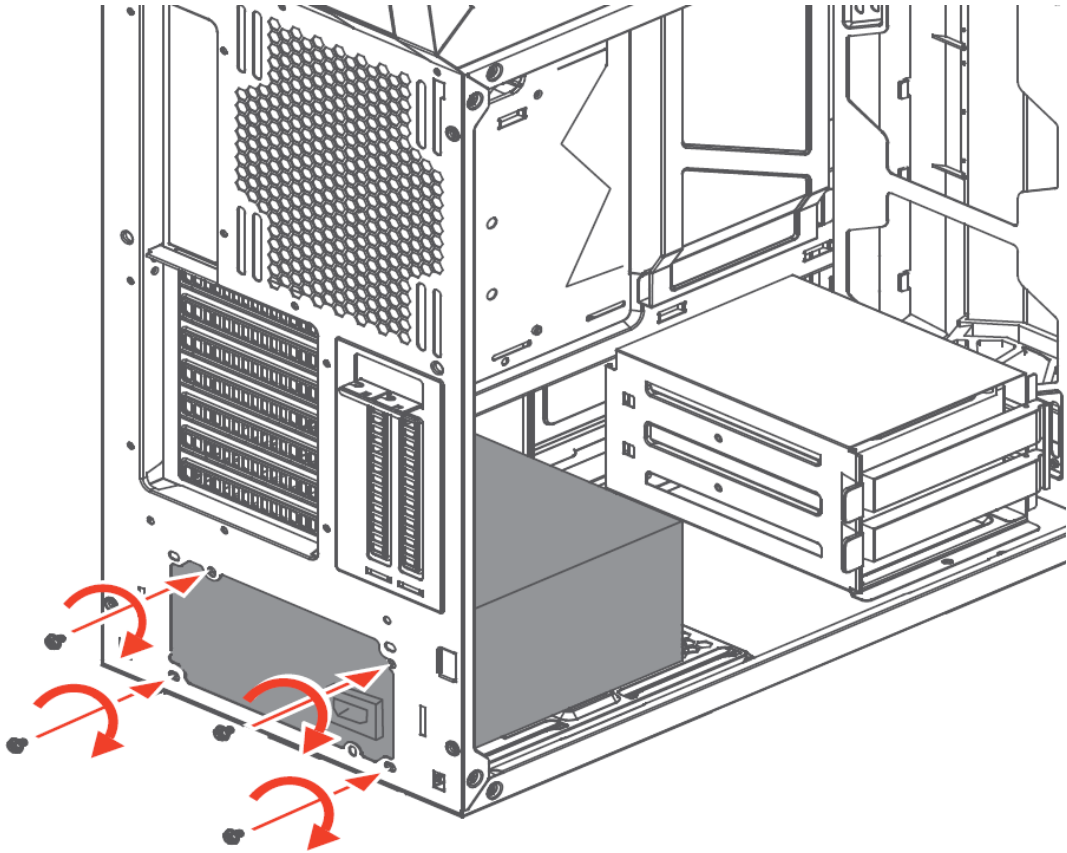
7 Floppy



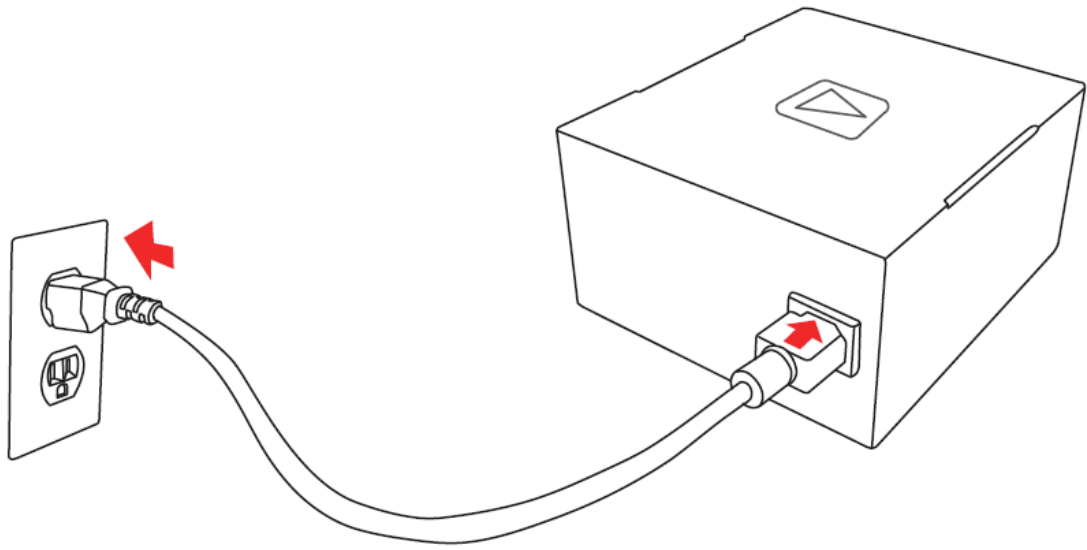
8



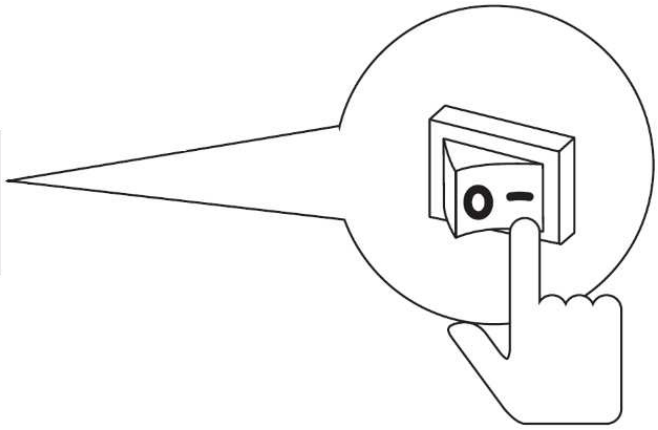
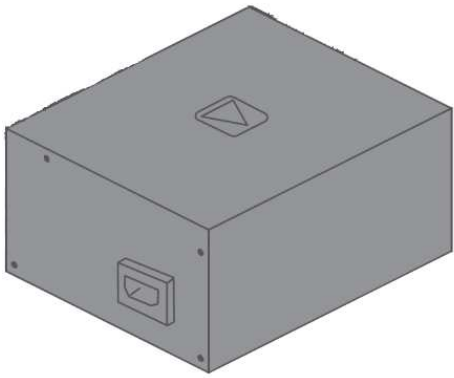
9



10



11



| | |
|--------------------------------------|---|
| Product Warranty Policy | http://www.gamdias.com/warranty-en-gb |
| Política de la garantía del producto | http://www.gamdias.com/warranty-en-gb |
| Garantiebedingungen | http://www.gamdias.com/warranty-en-gb |
| Política de garantía do produto | http://www.gamdias.com/warranty-en-gb |
| Политика по гарантии продукции | http://www.gamdias.com/warranty-en-gb |
| Qaurantie Limitée de Produit | http://www.gamdias.com/warranty-en-gb |
| Condizioni di Garanzia del Prodotto | http://www.gamdias.com/warranty-en-gb |
| Garantipolicy | http://www.gamdias.com/warranty-en-gb |
| Termes de Garantie | http://www.gamdias.com/warranty-en-gb |
| Warunki Gwarancji | http://www.gamdias.com/warranty-en-gb |
| شروط ضمان منتجات | http://www.gamdias.com/warranty-en-gb |