



iRig Acoustic Stage

The Advanced Digital Microphone System
for Acoustic Guitar

USER MANUAL

Table of Contents

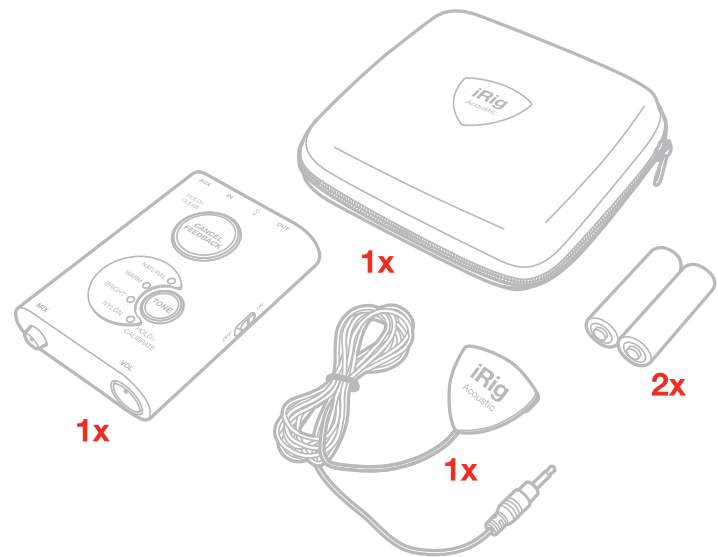
Contents	2
English	3
iRig Acoustic Stage	3
Register your iRig Acoustic Stage	3
Installation and setup	4
Cancel feedback button	10
Tone button	11
Instrument calibration	12
Calibration process	12
Phase switch	14
AUX IN	15
Low battery indications	15
Specifications	16
Warranty	16
Support and more info	16
Regulatory	17

iRig Acoustic Stage

Thank you for purchasing iRig Acoustic Stage.

Your package contains:

- iRig Acoustic Stage
- 2xAA batteries
- iRig Acoustic microphone
- Belt clip
- Pouch
- Quick Start Guide
- Registration Card



iRig Acoustic Stage is a revolutionary digital microphone system for Acoustic Guitar, both with steel and nylon strings.

We all know that the best possible sound when recording an acoustic guitar is the one you get with a classic studio microphone in a well sounding studio, with a great preamp and proper positioning, and we all know how compromised the sound of a typical stock or after-market piezo pickup system is.

The typical under-saddle piezo pickup system takes all the air and acoustic qualities from the instrument out of the picture. All the subtle nuances and harmonics of a great acoustic instrument are normally lost with bridge-mounted pickup systems.

The main functionality of iRig Acoustic Stage is to make your guitar sound exactly as if it was captured with a classic recording studio setup with a very simple clip-on microphone that can be applied in seconds to any instrument.

The synergy between the microphone, the preamp and DSP unit creates an incredible natural-sounding tone for any acoustic instrument. It features 3 tone presets — natural, warm and bright — for both steel string and nylon string instruments. And while, when compared to piezo pickups, iRig Acoustic Stage makes any instrument sound dramatically better right out of the box, you can also calibrate the system to precisely fit the sonic signature of your instrument and playing style allowing it to draw out the full acoustic potential of your instrument.

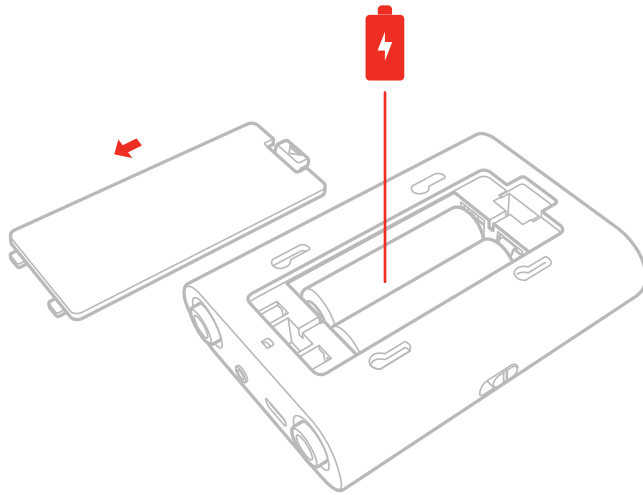
Register your iRig Acoustic Stage

By registering, you can access technical support, activate your warranty and receive free JamPoints™ which will be added to your account. JamPoints™ allow you to obtain discounts on future IK purchases! Registering also keeps you informed of all the latest software updates and IK products.

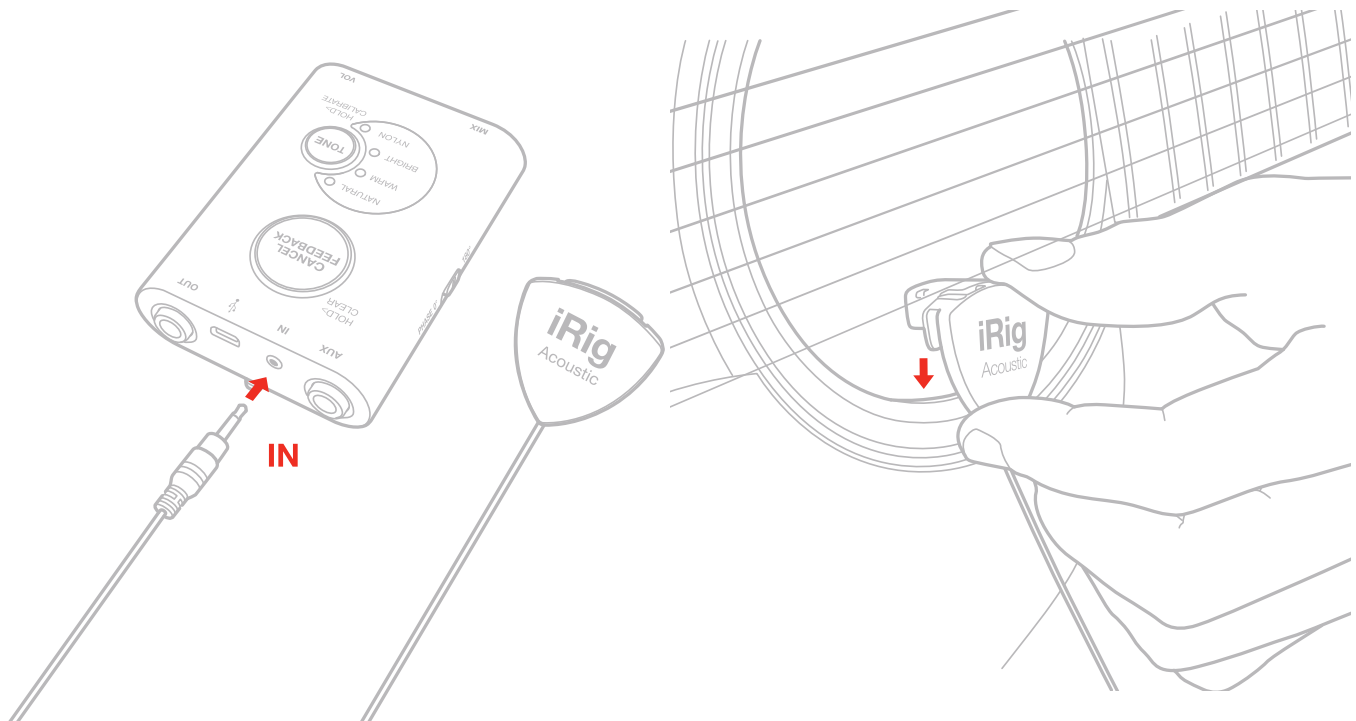
Register at: www.ikmultimedia.com/registration

Installation and setup

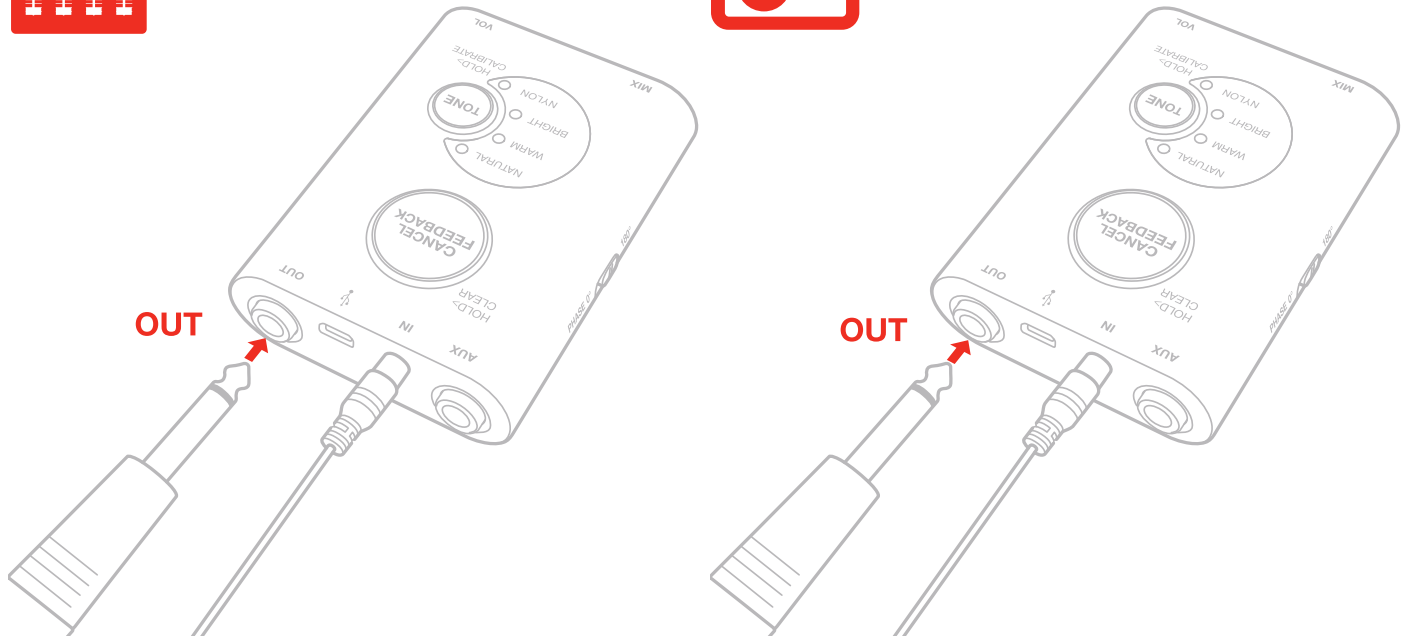
1. Insert the provided batteries in the battery compartment. You can use both Alkaline or Ni-MH rechargeable batteries. High energy Ni-MH will last at least 18 hours. Tip: If you play frequently, a good suggestion is to have 2 sets of rechargeable AAs, one in use and the other on charge and swap them every 2-3 gigs.



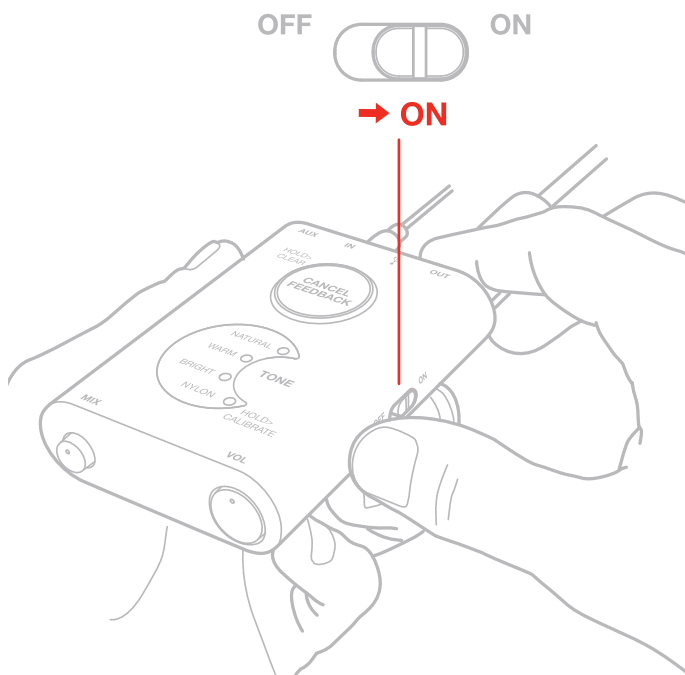
2. Connect the iRig Acoustic microphone.
3. Fix the microphone to your instrument. If the soundboard of your instrument is very thin the iRig Acoustic microphone may not stay perfectly steady during use. To solve this you can add one or more layers of adhesive tape inside the iRig Acoustic microphone slot to make it a perfect fit for your instrument.



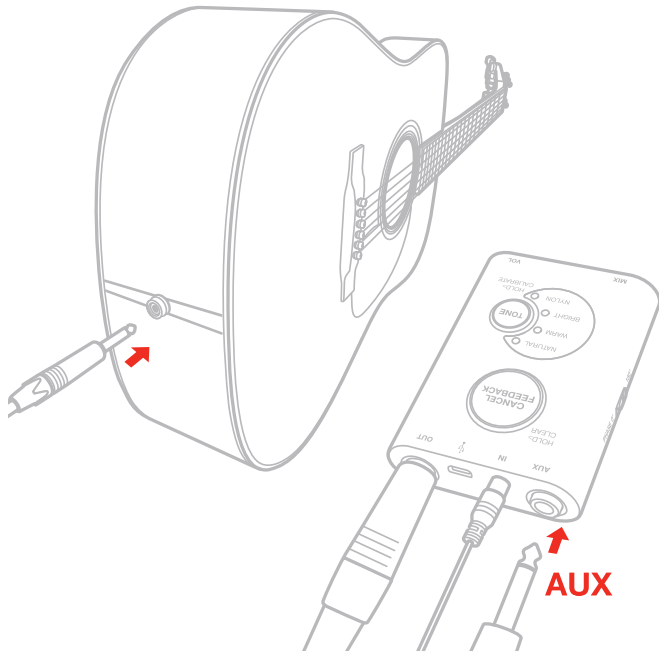
4. Connect the iRig Acoustic Stage output to the PA mixer or to an acoustic guitar amplifier, as you would do with a normal acoustic-electric guitar.



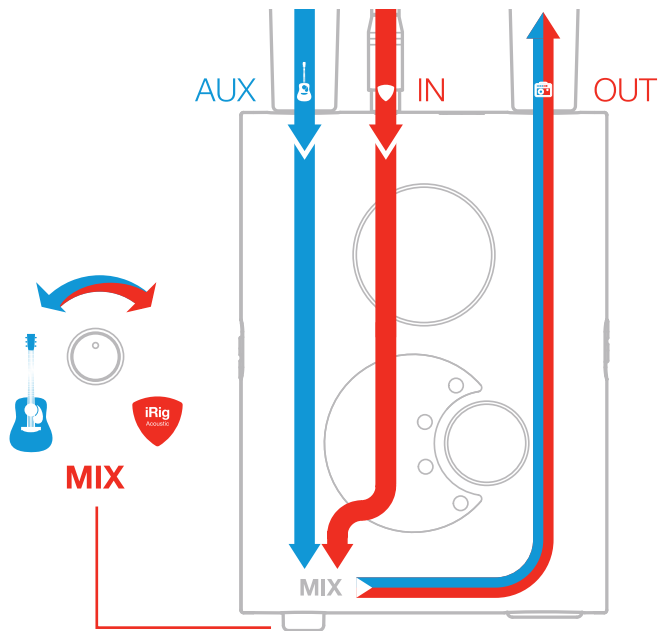
5. Turn ON the unit. Tip: Always turn down the channel volume on the mixer or the volume of the amp before turning ON or OFF iRig Acoustic Stage!



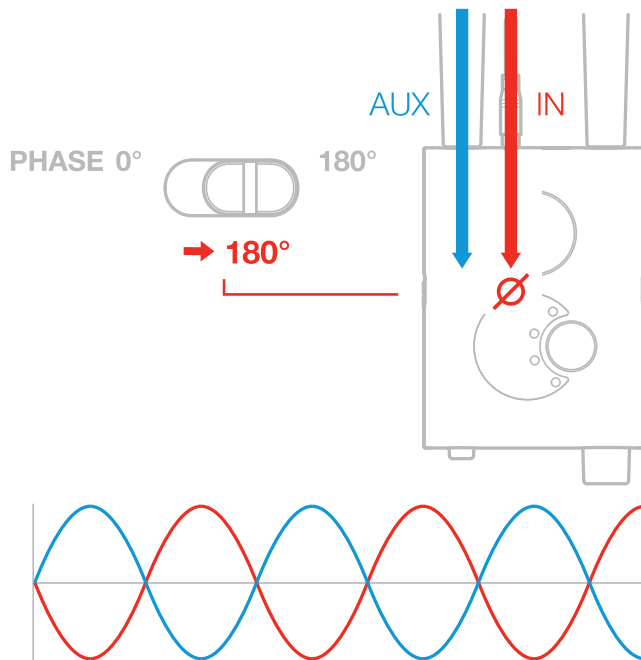
6. While you can immediately start using your iRig Acoustic Stage with great results, if your instrument already features an onboard undersaddle piezo pickup system you can also connect its output to iRig Acoustic Stage. This will give more flexibility to your tone, allowing you to mix the iRig Acoustic microphone and the guitar built-in pickup system.



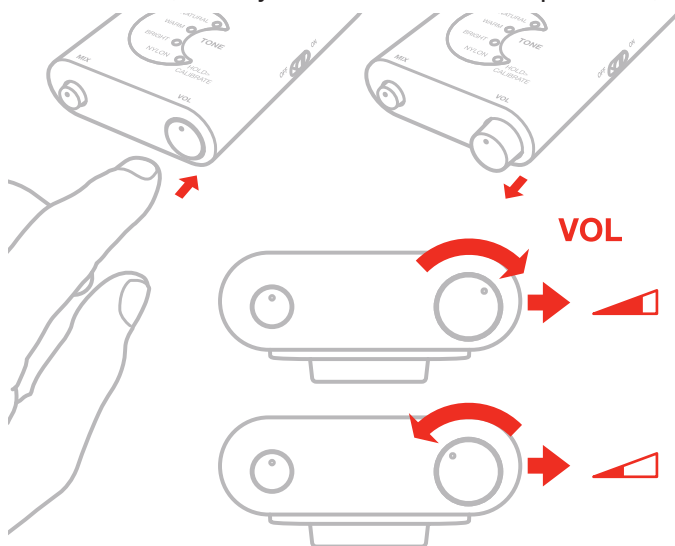
- When recording the guitar in the studio or performing live on acoustic sets, best results will be obtained by using the iRig Acoustic Stage microphone only. This is obtained by just leaving the AUX input disconnected, or by rotating the MIX control completely clockwise. When performing live with loud sets and, depending on the type of sound you're after, it might be useful mixing-in a portion of the guitar's built-in piezo pickup. This will make the system less feedback sensitive and will add some definition and punch from the piezo pickup that can be desirable in certain cases. This is obtained by setting the MIX control to 50% as a starting point and experimenting with other mix levels to find the best spot.



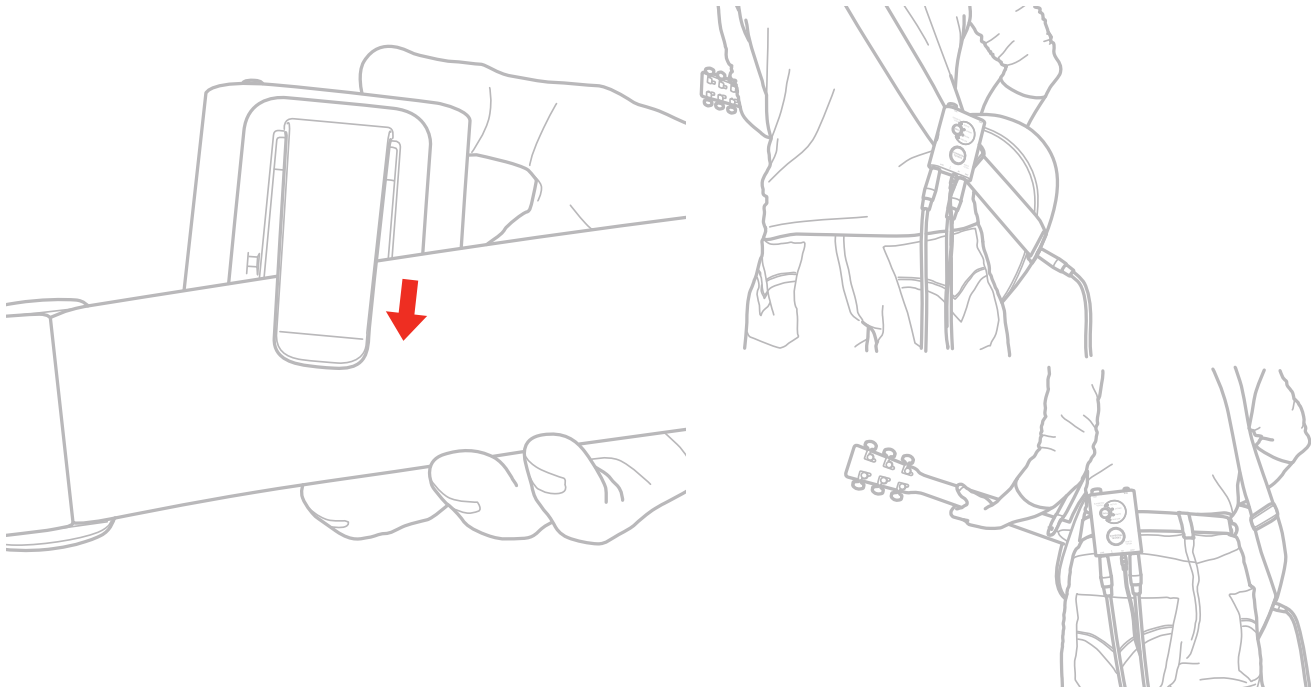
8. When mixing the guitar's on-board pickup system with iRig Acoustic using the MIX control, always start by setting this switch to the 0° position. On certain guitars you might get a fuller and more natural sound by flipping the phase of the AUX input by setting this switch to the 180° position. When no AUX input is connected this switch reverses the phase of the iRig Acoustic Stage output, and it can be useful when playing in front of loud stage monitors to experiment with both positions to find the one that gives less feedback and a more solid tone.



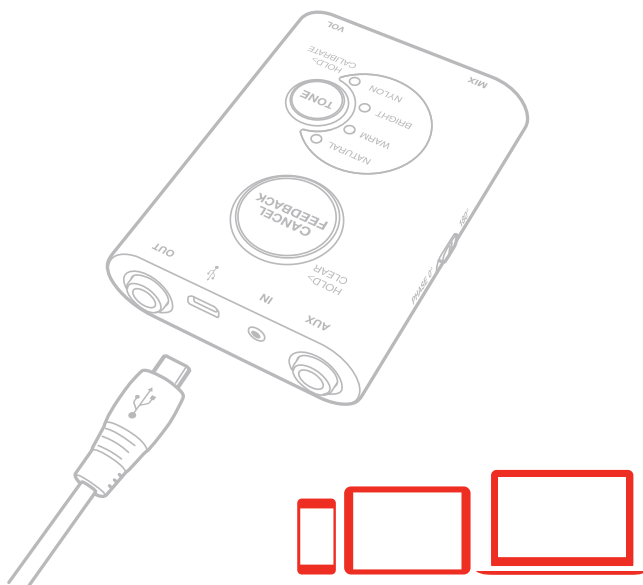
9. Use the volume knob to adjust the overall output signal. This control can also be used to turn the guitar down between songs as it is easy to operate even if you can't see the unit. **Tip:** Always keep a bit of margin when playing so that you can always quickly turn it up if you would need to. Also remember to push the control in, once you set the volume as preferred, to avoid accidental movements of the volume control.



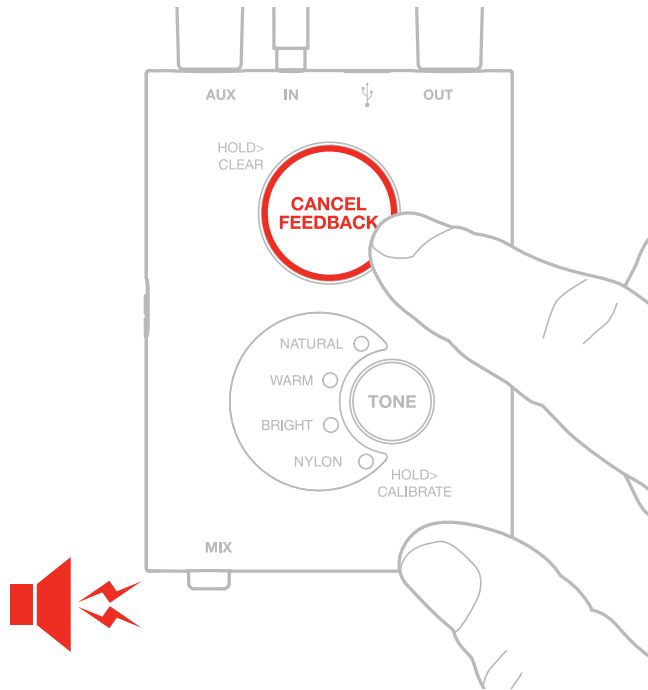
10. Use the belt clip to attach the iRig Acoustic Stage to your belt or your instrument's shoulder strap.



11. iRig Acoustic Stage can also be used as a digital recording interface for computers. Just plug the USB Digital Audio Output to any computer equipped with recording software (for example Apple's Garage Band) and you'll be ready to record the guitar with a pristine full digital path. This will ensure professional quality recording results with a minimal effort and ultra quick setup. You can connect iRig Acoustic Stage to: Mac computers, Windows based computers, iOS devices (using a Camera Connection Kit accessory) and Android devices (using an OTG cable, not included). To connect iRig Acoustic Stage to a computer for recording you need a Micro USB to USB type A cable (not included). When connecting iRig Acoustic Stage to a computer using the USB port, iRig Acoustic Stage will be powered by the USB port. For this reason you don't need batteries installed when using iRig Acoustic Stage this way.



Cancel feedback button



In case of a feedback tap the “CANCEL FEEDBACK” button and the troublesome frequency is instantly notched out of the mix, thus eliminating feedback without sacrificing tone quality. This feature set individuals notch filters (up to 10) for multiple feedback frequencies.

1. Press this button while a feedback occurs. Available filter storage locations are: “10”. When a filter is stored the button will flash one time red. If no filter is stored no flash will occur.
2. Reached the maximum filters storage available, the next press of the button will cause the button to blink four times.
3. To reset all the filters stored, keep the cancel feedback button pressed for at least 2 sec. The button will turn off.

Tip 1:

A good practice to be “feedback safe” while performing is to follow these steps:

- while setting the sound for the gig just raise the iRig Acoustic Stage channel volume (slowly) up to when the system starts to feedback. Then, while the feedback is starting to sound as a steady note, press the CANCEL FEEDBACK button. The feedback will disappear.
- you can then increase the volume even further and “cancel” another feedback frequency that may appear.
- put the volume level down back to the normal level you will use for the gig.

Tip 2:

When playing onstage acoustic instruments it may happen that some low notes start resonating too much with the monitor speakers or with the PA system when played.

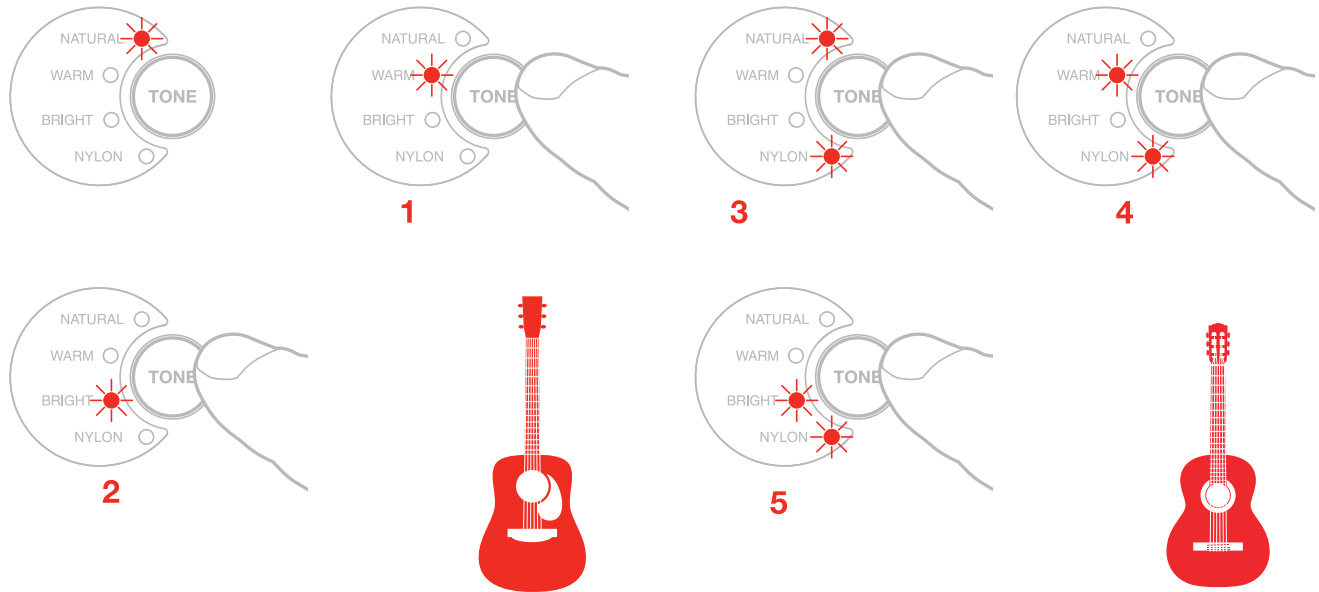
This is particularly annoying while playing.

iRig Acoustic Stage allows you to solve this problem this way:

- play the “critical” note and while the note is resonating press the CANCEL FEEDBACK button.

This will attenuate the note to make it level with the others and no longer a critical spot.

Tone button



Press TONE multiple times to select the tone you prefer.

- “NATURAL” provides a balanced tone typical of a large diaphragm microphone placed at the golden spot when making studio recordings.
- “WARM” provides a smoother tone, useful when NATURAL tends to sound a bit too harsh or edgy
- “BRIGHT” gives a brighter tone, useful to have it cutting through the mix in complex live setups

All the three settings apply to both steel and nylon strung instruments. Nylon will toggle ON or OFF every time the presets are cycled.

Make sure NYLON is ON on nylon strung instruments (yes, including Ukuleles!).

Each press of the TONE button will select different preset, cycling this way: NATURAL -> WARM -> BRIGHT -> NYLON (on) -> NATURAL -> WARM -> BRIGHT -> NYLON (off) -> NATURAL.....

Instrument calibration

The calibration process improves the overall response of the presets by tailoring them to the specific response of your instrument. By default this button's LED is red to indicate no user calibration has been performed yet, and the factory calibration is loaded. This factory calibration has been created to make virtually every instrument sound natural and balanced. You can use the factory calibration (TONE button RED) on steel strings guitars of any kind, nylon strings guitars of any kind, acoustic basses, ukuleles and so on. The sound will always be balanced and natural thanks to the proprietary digital processing system iRig Acoustic Stage performs. If you are playing Steel stringed guitars and would like to make the iRig Acoustic Stage processing specifically tailored for your instrument, you should perform the Instrument Calibration process.

(see notes below).

In the table below are listed the typical situations when it is useful to perform the instrument calibration:

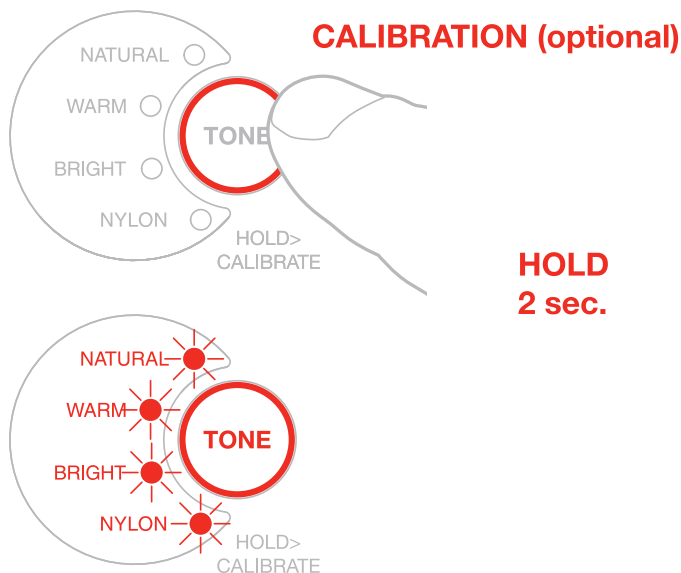
Instrument TYPE	CALIBRATION
Steel strings - Dreadnought	Optional, will improve every instrument even if Factory Calibration already sounds great.
Steel strings - Jumbo, Parlor, "001", and other styles different from Dreadnought	Optional, can be effective, but, depending on the instrument, can also "flatten out" some peculiar aspect of the guitar tone. Since results depends on the instrument, it should be experimented with.
Nylon strings - any type	Normally not useful. Factory Calibration sounds great on Nylon instruments, can anyway be experimented.
Non-guitar instruments like: Ukuleles, Acoustic Bases, Mandolins, etc..	Not advisable. Will make the instrument sound unnatural. Factory calibration sounds great on these instruments.

Calibration process

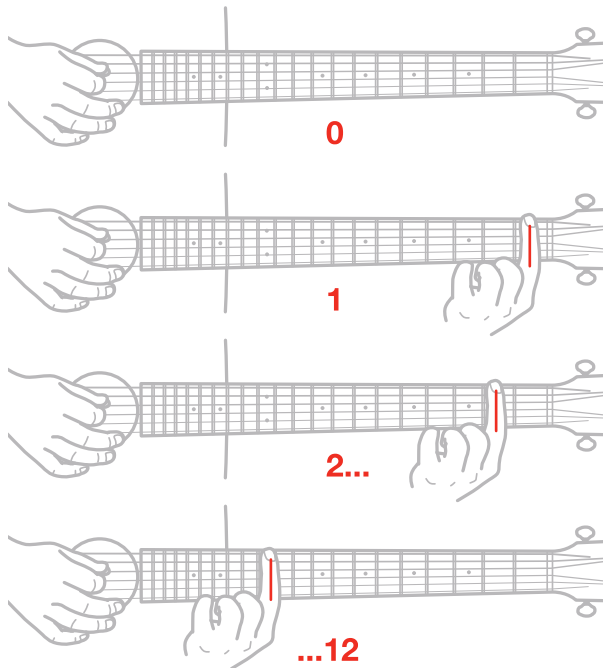
As soon as a calibration has been successfully completed the button will turn green.

To start the calibration the iRig Acoustic microphone must be connected:

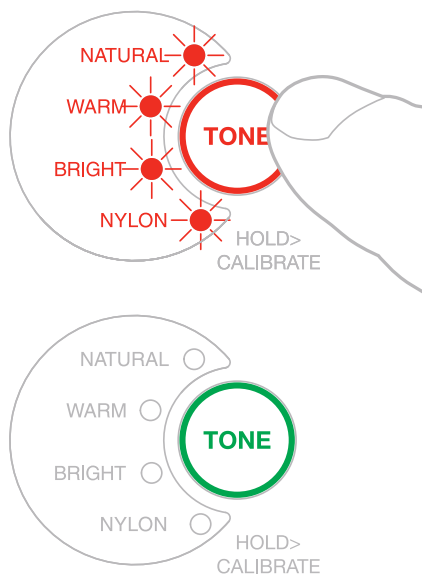
1. Keep pressed the Tone button for at least 2sec (after 2 sec begins the calibration process).
2. The four presets LEDs will start to blink along with the TONE LED



- Proceed playing 6 strings clusters in semitones steps on your guitar. Try playing these clusters using the same dynamics you will be averagely using when playing. If you play too soft during calibration, the system will probably deliver a too bright response. If you play very hard the system will produce a too soft response. We suggest checking the online tutorial videos to see how calibration clusters should be played. **Tip:** The fact that the calibration end results depends on how you play the calibration clusters is actually something very useful once you get used to it because it allows to have specific calibration for your instrument just changing the way you play during calibration. This is going to be fun once it will be familiar because it will open up the possibility to create very specific and personal tones with your instrument!



- To confirm the calibration press the TONE button. The TONE button LED turn GREEN to indicate the calibration has been saved.

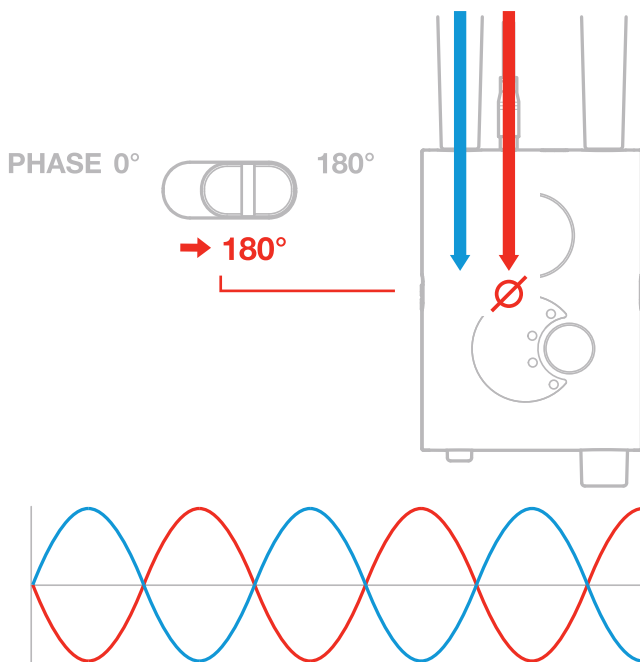


5. To abort the calibration press the FEEDBACK CANCEL button. iRig Acoustic Stage will return to the previous state.
6. To return to the factory default calibration: start the calibration as per point (1) above then, while the calibration process is going on, press the Tone button for at least 2 sec.

NOTE 1: the calibration process has a time out of "60" seconds. After this time the process automatically ends.

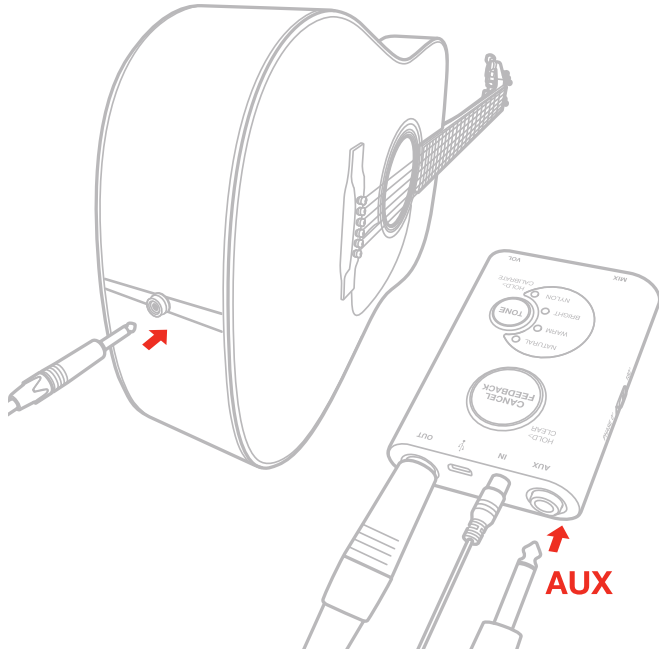
NOTE 2: the calibration can start only if the microphone is connected.

Phase switch



The phase flip switch (0°-180°) works pre-mix. When both the MEMS and the Piezo are connected the phase switch acts on the MEMS signal. When only the MEMS is connected it act on the MEMS signal. When only the Piezo is connected it act on the Piezo signal.

AUX IN



Most acoustic guitars used for live performance includes a piezo pickup in the bridge.

This is of course very useful to amplify the instrument but we all know the sound of the piezo pickup does not actually represent the true tone of the guitar when played acoustically.

With iRig Acoustic Stage AUX IN you can connect the output of your guitar to this input and mix the stock guitar pickup output with the iRig Acoustic microphone tone.

This will allow to keep using the powerful and reliable output of the piezo pickup onstage in feedback-critical situations, with just a touch of the iRig Acoustic microphone mixed in to make it sounding way more acoustic and rich.

Use the MIX control to balance the tone between the Piezo pickup (fully CCW) and the iRig Acoustic microphone (fully CW).

When using both the AUX and iRig Acoustic sources make sure to experiment with the PHASE switch on the left side of the iRig Acoustic Stage to make sure you set it on the position where the two sound sources mixes together the way you prefer.

Low battery indications

When the battery level approach to be low, all the (turned ON) LEDs will fast blink every “2” sec. When the battery is at a very low level the audio out is muted and the LED continuously blinks.

Specifications

COMMON

Microphone type: high performance MEMS element, soft rubber elastic enclosure

Conversion: 32-bit A/D, 32-bit D/A

Sampling Rate: 48 kHz

Power: Battery powered (2xAA)

Battery Life: approximately 12 hours of continuous usage with alkaline batteries and 15 hours with rechargeable high quality Ni-MH AA cells (2000 mAh and up)

Frequency response: 30 Hz to 20 kHz

Signal to noise ratio: 101 dB(A)

MICROPHONE INPUT

Connector: female 2,5mm TS Jack

AUX INPUT

Connector: unbalanced, TS 1/4" Jack. Tip: signal / Shield: ground

AUX Input Impedance: 11kOhms (active instruments only)

LINE OUTPUT

Connector: unbalanced, TS 1/4" Jack. Tip: signal / Shield: ground

Line Output Impedance: 50Ohms (can drive long cables without any loss)

OTHER I/O

USB: 1x Micro-USB B type. USB class compliant audio output (48kHz/24bit)

Warranty

Please visit:

www.ikmultimedia.com/warranty

for the complete warranty policy.

Support and more info

www.ikmultimedia.com/support

www.irigacousticstage.com



FCC statement

This device complies with Part 15.107 and 15.109 Class B of the FCC Rules CFR47: October 2010.

Operation is subject to the following two conditions:

1. This device may not cause harmful interference.
2. This device must accept any interference received, including interference that may cause undesired operation.

Changes or modifications not expressly approved by the party responsible for compliance could void the user's authority to operate the equipment.