

# K8 YOKE

## K Series Loudspeaker Accessory User Manual



**Yoke spacer** – 2 components

**M5 x 25 mm screw with thread locking patch** – 4 components

**Steel yoke bracket – side 1** – 1 component

**Steel yoke bracket – side 2** – 1 component

**M5 x 16 mm screw** – 2 components

**M5 split lock washer** – 2 components

**M5 flat washer** – 2 components

**M5 nut** – 2 components

**M8 x 25 mm screw** – 2 components

**M8 split lock washer** – 2 components

**M8 flat washer** – 2 components

This yoke mount is specifically for mounting the QSC K8 loudspeaker to a structural support element (lighting or soundstage truss or other load bearing truss, etc.). It is not to be used as a wall mount or other attachment to non-load rated structure.



## IMPORTANT SAFETY PRECAUTIONS AND EXPLANATION OF SYMBOLS

### WARNING!

Before placing, installing, rigging, or suspending any speaker product, inspect all hardware, suspension, enclosures, transducers, brackets and associated equipment for damage. Any missing, corroded, deformed, or non-load rated component could significantly reduce the strength of the installation or placement. Any such condition severely reduces the safety of the installation and should be immediately corrected. Use only hardware which is rated for the loading conditions of the installation and any possible short-term, unexpected overloading. Never exceed the rating of the hardware or equipment.

Consult a licensed, Professional Engineer regarding physical equipment installation. All local, state and national regulations regarding the safety and operation of equipment are understood and adhered to.

- Do not use this yoke bracket to attach the K8 to a wall or other architectural element!
- Attach the base of this yoke bracket to the load-bearing structure using appropriate load-rated hardware approved for the application.
- Install in accordance with instructions by QSC Audio Products, LLC instructions and under the supervision of a licensed Professional Engineer.



The exclamation point within an equilateral triangle is intended to alert the user to the presence of important operation and maintenance (servicing) instructions in this manual.

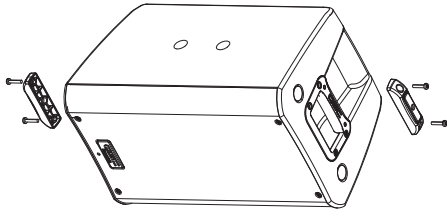
TD-000288-00-A



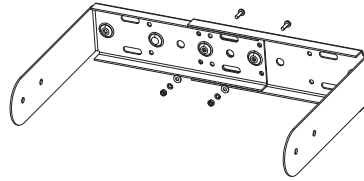
## Attaching the Yoke to the Loudspeaker: Horizontal Mounting

The yoke bracket is designed to attach to the rigging points on the loudspeaker for either horizontal or vertical suspension.

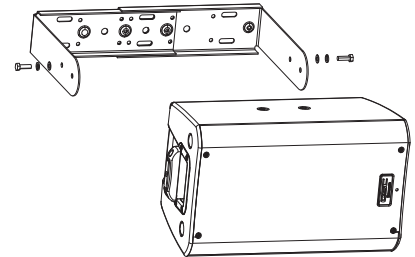
1. Attach the yoke spacers using the included M5 screws in the locations shown in (Figure 1). Ensure that the side of the spacer with the text “REAR” shown is oriented toward the rear (amplifier) side of the enclosure.
2. Join the two halves of the yoke mount together with the provided hardware (Figure 2).
3. Attach the yoke to the spacers using the M8 Hex Head Bolts included with the bracket. Note the hardware order (Figure 3). The steel flat and lock washers are to be installed between the bolt and the outside bracket surface. The lock washer is the outermost washer, located directly under the head of each bolt.
4. Tighten the bolts snugly, just to the point where the yoke is held in place but able to rotate. Set desired tilt and tighten the two M8 bolts to secure the loudspeaker in place.



– Figure 1 –



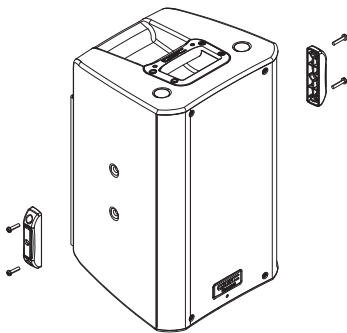
– Figure 2 –



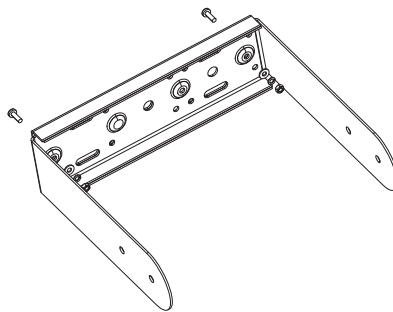
– Figure 3 –

## Attaching the Yoke to the Loudspeaker: Vertical Mounting

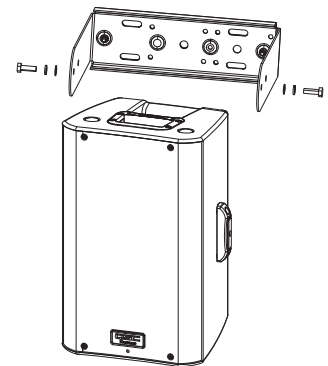
1. To attach the bracket to the loudspeaker enclosure for vertical mounting, locate the rubber inserts which protect the enclosure’s threads. Remove the rubber inserts.
2. Attach the yoke spacers using the included M5 screws in the locations shown in (Figure 4). Ensure that the side of the spacer with the text “REAR” shown is oriented toward the rear (amplifier) side of the enclosure.
3. Join the two halves of the yoke mount together with the provided hardware (Figure 5).
4. Attach the yoke to the spacers using the M8 Hex Head Bolts included with the bracket. Note the hardware order (Figure 6). The steel flat and lock washers are to be installed between the bolt and the outside bracket surface. The lock washer is the outermost washer, located directly under the head of each bolt.
5. Tighten the bolts snugly, just to the point where the yoke is held in place but able to rotate. Set desired tilt and tighten the two M8 bolts to secure the loudspeaker in place.



– Figure 4–



– Figure 5 –



– Figure 6 –

## Installation Options

The yoke bracket can be used to support the K8 in several ways.

**Yoke above or below loudspeaker enclosure** – If using the yoke bracket positioned above or below the enclosure, attach to the enclosure using the outermost set of mounting holes in the bracket’s arms.

**Do nothing** – Keep in mind, if you do not know what you are doing, don’t mount this loudspeaker to anything, including the yoke bracket. Consult professional assistance if unsure about any loudspeaker mounting or suspension topic or procedure.