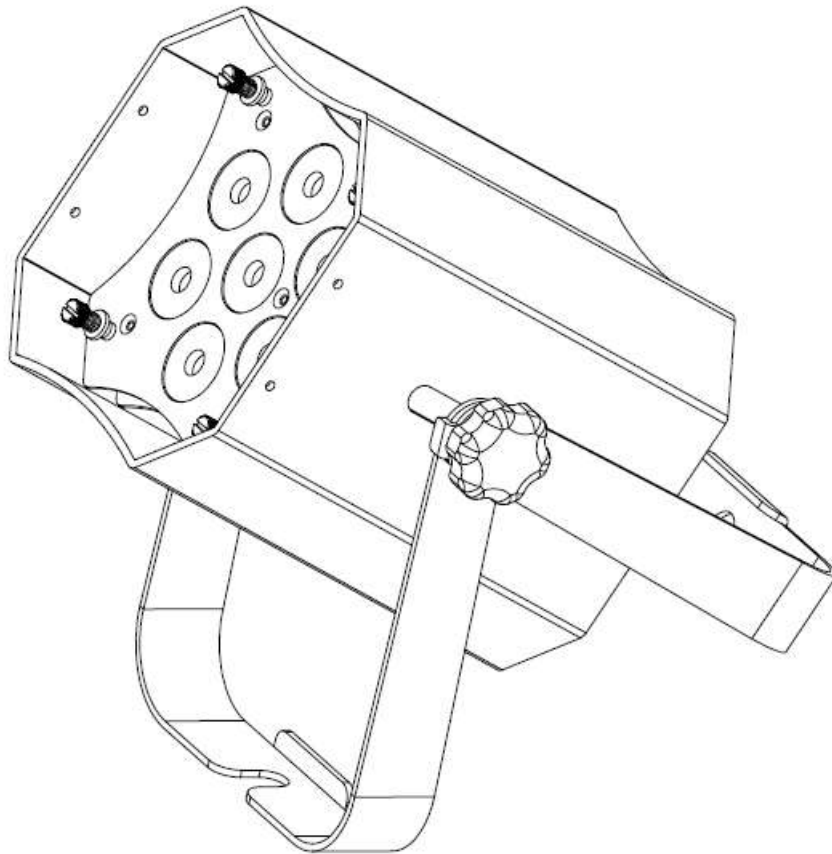




# MOD QA60



## ***User Instructions***

A.D.J. Supply Europe B.V.  
Junostraat 2  
6468 EW Kerkrade  
The Netherlands  
[www.americandj.eu](http://www.americandj.eu)

©2018 ADJ Products, LLC all rights reserved. Information, specifications, diagrams, images, and instructions herein are subject to change without notice. ADJ Products, LLC logo and identifying product names and numbers herein are trademarks of ADJ Products, LLC. Copyright protection claimed includes all forms and matters of copyrightable materials and information now allowed by statutory or judicial law or hereinafter granted. Product names used in this document may be trademarks or registered trademarks of their respective companies and are hereby acknowledged. All non-ADJ Products, LLC brands and product names are trademarks or registered trademarks of their respective companies.

**ADJ Products, LLC** and all affiliated companies hereby disclaim any and all liabilities for property, equipment, building, and electrical damages, injuries to any persons, and direct or indirect economic loss associated with the use or reliance of any information contained within this document, and/or as a result of the improper, unsafe, insufficient and negligent assembly, installation, rigging, and operation of this product.

#### DOCUMENT VERSION

Please check [www.adj.com](http://www.adj.com) for the latest revision/update of this guide.

Date	Document Version	Software Version $\geq$	DMX Channel Mode	Notes
01/19/18	1	1.00	4/5/6/9/10	Initial Release

Europe Energy Saving Notice

Energy Saving Matters (EuP 2009/125/EC)

Saving electric energy is a key to help protecting the environment. Please turn off all electrical products when they are not in use. To avoid power consumption in idle mode, disconnect all electrical equipment from power when not in use. Thank you!

## Contents

INTRODUCTION.....	4
FEATURES.....	4
INSTALLATION.....	4
SAFETY PRECAUTIONS .....	5
CONTROL PANEL LAYOUT .....	6
DMX SET UP .....	7
DMX ADDRESSING .....	9
4 CHANNEL MODE .....	10
5 CHANNEL MODE .....	10
6 CHANNEL MODE .....	10
9 CHANNEL MODE .....	11
10 CHANNEL MODE .....	13
COLOR MACRO CHART.....	15
SYSTEM MENU .....	17
OPERATING INSTRUCTIONS .....	18
MASTER-SLAVE CONFIGURATION.....	21
SNOOT EFFECT .....	21
ADJ UC IR/ AIRSTREAM IR CONTROL .....	21
DIMMER CURVE CHART .....	22
DIMENSIONAL DRAWING .....	23
HOUSING CHANGE.....	24
FROST FILTER .....	25
MULTIPLE UNIT POWER LINKING .....	25
TROUBLE SHOOTING.....	25
CLEANING.....	25
SPECIFICATIONS .....	26
ROHS - A great Contribution to the Conservation of Environment .....	27
WEEE – Waste of Electrical and Electronic Equipment .....	27
NOTES .....	28

## INTRODUCTION

**Unpacking:** Thank you for purchasing the MOD QA60 by ADJ Products, LLC. Every MOD QA60 has been thoroughly tested and has been shipped in perfect operating condition. Carefully check the shipping carton for damage that may have occurred during shipping. If the carton appears to be damaged, carefully inspect your fixture for any damage and be sure all accessories necessary to operate the unit has arrived intact. In the case damage has been found or parts are missing, please contact our toll free customer support number for further instructions. Do not return this unit to your dealer without first contacting customer support.

**Introduction:** The ADJ MOD QA60 is a DMX intelligent, high powered LED par fixture. This fixture can be used in a stand alone set up or connected in a Master/Slave set up. The MOD QA60 has seven operating modes: Sound Active mode, Auto Run mode, Color Change mode, Color Fade mode, RGBA Dimmer mode, Static Color mode, and DMX controlled. To optimize the performance of this product, please read these operating instructions carefully to familiarize yourself with the basic operations of this unit. These instructions contain important safety information regarding the use and maintenance of this unit. Please keep this manual with the unit, for future reference.

**Customer Support:** If you encounter any problems, please contact your trusted American Audio shop. We also offer the possibility, to contact us directly: You can contact us via our website [www.americandj.eu](http://www.americandj.eu) or via email: [support@adj.eu](mailto:support@adj.eu)

**Warning!** To prevent or reduce the risk of electrical shock or fire, do not expose this unit to rain or moisture.

**Caution!** There are no user serviceable parts inside this unit. Do not attempt any repairs yourself, doing so will void your manufactures warranty. In the unlikely event your unit may require service please contact ADJ Products, LLC.

**PLEASE recycle the shipping carton when ever possible.**

## FEATURES

- Multi-Colors
- Seven Operating Modes
- Electronic Dimming 0-100%
- Built in Microphone
- DMX-512 protocol
- 3-Pin & 5-Pin DMX Connection
- Five DMX Modes: 4 Channel Mode, 5 Channel Mode, 6 Channel Mode, 9 Channel Mode, and 10 Channel Mode.
- ADJ UC IR compatible and Airstream IR compatible
- Multiple Unit Power Linking (See page 25)

### INCLUDED:

- 1 x Scissor Yoke
- 1 x powerCON Cable
- 3 x Frost Filters (20/40/60 Degrees)

### OPTIONAL ACCESSORIES:

MOD Kit Pearl White Housing Case (Order Code: MOD510)

## INSTALLATION

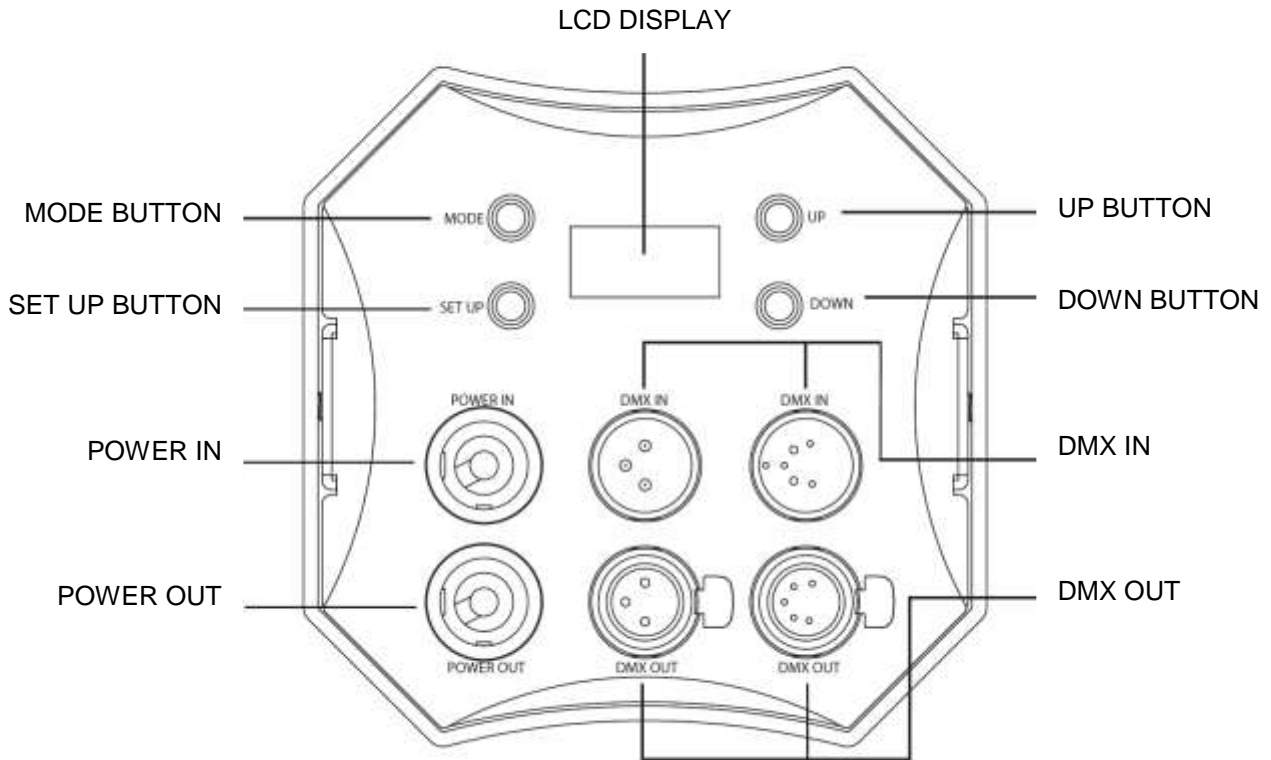
The unit should be mounted using a mounting clamp (not provided), affixing it to the mounting bracket that is provided with the unit. Always ensure that the unit is firmly fixed to avoid vibration and slipping while operating. Always ensure that the structure to which you are attaching the unit is secure and is able to support a weight of 10 times the unit's weight. Also, always use a safety cable that can hold 12 times the weight of the unit when installing the fixture.

The equipment must be installed by a professional, and it must be installed in a place where it is out of the reach of people's grasp.

## SAFETY PRECAUTIONS

- To reduce the risk of electrical shock or fire, do not expose this unit rain or moisture.
- Do not spill water or other liquids into or on to your unit.
- Do not attempt to operate this unit if the power cord has been frayed or broken. Do not attempt to remove or break off the ground prong from the electrical cord. This prong is used to reduce the risk of electrical shock and fire in case of an internal short.
- Disconnect from main power before making any type of connection.
- Do not remove the cover under any conditions. There are no user serviceable parts inside.
- Never operate this unit when it's cover is removed.
- Never plug this unit in to a dimmer pack.
- Always be sure to mount this unit in an area that will allow proper ventilation. Allow about 6" (15cm) between this device and a wall.
- Do not attempt to operate this unit, if it becomes damaged.
- This unit is intended for indoor use only, use of this product outdoors voids all warranties.
- During long periods of non-use, disconnect the unit's main power.
- Always mount this unit in safe and stable matter.
- Power-supply cords should be routed so that they are not likely to be walked on or pinched by items placed upon or against them, paying particular attention to the point they exit from the unit.
- Cleaning -The fixture should be cleaned only as recommended by the manufacturer. See page 25 for cleaning details.
- Heat -The appliance should be situated away from heat sources such as radiators, heat registers, stoves, or other appliances (including amplifiers) that produce heat.
- The fixture should be serviced by qualified service personnel when:
  - A. The power-supply cord or the plug has been damaged.
  - B. Objects have fallen, or liquid has been spilled into the fixture.
  - C. The fixture has been exposed to rain or water.
  - D. The fixture does not appear to operate normally or exhibits a marked change in performance.
  - E. The fixture has fallen and/or subjected to extreme handling.

# CONTROL PANEL LAYOUT



## DMX SET UP

**DMX-512:** DMX is short for Digital Multiplex. This is a universal protocol used as a form of communication between intelligent fixtures and controllers. A DMX controller sends DMX data instructions from the controller to the fixture. DMX data is sent as serial data that travels from fixture to fixture via the DATA “IN” and DATA “OUT” XLR terminals located on all DMX fixtures (most controllers only have a DATA “OUT” terminal).

**DMX Linking:** DMX is a language allowing all makes and models of different manufactures to be linked together and operate from a single controller, as long as all fixtures and the controller are DMX compliant. To ensure proper DMX data transmission, when using several DMX fixtures try to use the shortest cable path possible. The order in which fixtures are connected in a DMX line does not influence the DMX addressing. For example; a fixture assigned a DMX address of 1 may be placed anywhere in a DMX line, at the beginning, at the end, or anywhere in the middle. When a fixture is assigned a DMX address of 1, the DMX controller knows to send DATA assigned to address 1 to that unit, no matter where it is located in the DMX chain.

**Data Cable (DMX Cable) Requirements (For DMX Operation):** The MOD QA60 can be controlled via DMX-512 protocol. The MOD QA60 has 5 DMX channel modes. The DMX address is set on the rear panel of the MOD QA60. Your unit and your DMX controller require a standard 3-pin XLR connector for data input and data output (Figure 1). We recommend Accu-Cable DMX cables. If you are making your own cables, be sure to use standard 110-120 Ohm shielded cable (This cable may be purchased at almost all pro lighting stores). Your cables should be made with a male and female XLR connector on either end of the cable. Also remember that DMX cable must be daisy chained and cannot be split.



Figure 1

**Notice:** Be sure to follow figures two and three when making your own cables. Do not use the ground lug on the XLR connector. Do not connect the cable’s shield conductor to the ground lug or allow the shield conductor to come in contact with the XLR’s outer casing. Grounding the shield could cause a short circuit and erratic behavior.

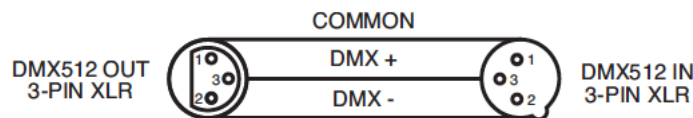


Figure 2

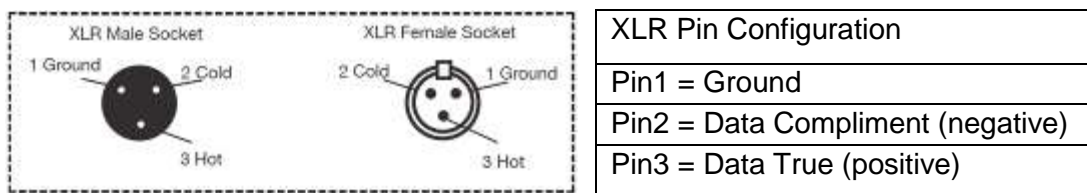


Figure 3

**Special Note: Line Termination.** When longer runs of cable are used, you may need to use a terminator on the last unit to avoid erratic behavior. A terminator is a 110-120 ohm 1/4 watt resistor which is connected between pins 2 and 3 of a male XLR connector (DATA + and DATA -). This unit is inserted in the female XLR connector of the last unit in your daisy chain to terminate the line. Using a cable terminator (ADJ part number Z-DMX/T) will decrease the possibilities of erratic behavior.



Termination reduces signal errors and avoids signal transmission problems and interference. It is always advisable to connect a DMX terminal, (Resistance 120 Ohm 1/4 W) between PIN 2 (DMX-) and PIN 3 (DMX +) of the last fixture.

Figure 4

**DMX SET UP (continued)**

**5-Pin XLR DMX Connectors.** Some manufactures use 5-pin DMX-512 data cables for DATA transmission in place of 3-pin. 5-pin DMX fixtures may be implemented in a 3-pin DMX line. When inserting standard 5-pin data cables in to a 3-pin line a cable adaptor must be used, these adaptors are readily available at most electric stores. The chart below details a proper cable conversion.

<b>3-Pin XLR to 5-Pin XLR Conversion</b>		
<b>Conductor</b>	<b>3-pin XLR Female (Out)</b>	<b>5-pin XLR Male (In)</b>
Ground/Shield	Pin 1	Pin 1
Data compliment (- signal)	Pin 2	Pin 2
Data True (+ signal)	Pin 3	Pin 3
Not used		Do Not Use
Not used		Do Not Use



## DMX ADDRESSING

### DMX ADDRESSING

All fixtures should be given a DMX starting address when using a DMX controller, so the correct fixture responds to the correct control signal. This digital starting address is the channel number from which the fixture starts to “listen” to the digital control signal sent out from the DMX controller. The assignment of this starting DMX address is achieved by setting the correct DMX address on the digital control display on the fixture.

You can set the same starting address for all fixtures or a group of fixtures, or set different addresses for each individual fixture. Setting all fixtures to the same DMX address will cause all fixtures to react in the same way, in other words, changing the settings of one channel will affect all the fixtures simultaneously.

If you set each fixture to a different DMX address, each unit will start to “listen” to the channel number you have set, based on the quantity of DMX channels of each fixture. That means changing the settings of one channel will only affect the selected fixture.

In the case of the MOD QA60, when in 10 Channel you should set the starting DMX address of the first unit to 1, the second unit to 11 (10 + 1), the third unit to 21 (11 + 10), and so on. (See chart below for more details.)

Channel Mode	Unit 1 Address	Unit 2 Address	Unit 3 Address	Unit 4 Address
4 channels	1	5	9	13
5 channels	1	6	11	16
6 channels	1	7	13	19
9 channels	1	10	19	28
10 channels	1	11	21	31

**4 CHANNEL MODE**

Channel	Value	Function
1	0 - 255	RED 0% - 100%
2	0 - 255	GREEN 0% - 100%
3	0 - 255	BLUE 0% - 100%
4	0 - 255	AMBER 0% - 100%

**5 CHANNEL MODE**

Channel	Value	Function
1	0 - 255	RED 0% - 100%
2	0 - 255	GREEN 0% - 100%
3	0 - 255	BLUE 0% - 100%
4	0 - 255	AMBER 0% - 100%
5	0 - 255	MASTER DIMMER 0% - 100%

**6 CHANNEL MODE**

Channel	Value	Function
1	0 - 255	RED 0% - 100%
2	0 - 255	GREEN 0% - 100%
3	0 - 255	BLUE 0% - 100%
4	0 - 255	AMBER 0% - 100%
5	0 - 31 32 - 63 64 - 95 96 - 127 128 - 159 160 - 191 192 - 223 224 - 255	STROBING LED OFF LED ON STROBING SLOW - FAST LED ON PULSE STROBING SLOW - FAST LED ON RANDOM STROBING SLOW - FAST LED ON
6	0 - 255	MASTER DIMMER 0% - 100%

## 9 CHANNEL MODE

Channel	Value	Function
1	0 - 255	RED 0% - 100%
2	0 - 255	GREEN 0% - 100%
3	0 - 255	BLUE 0% - 100%
4	0 - 255	AMBER 0% - 100%
5	0 - 31 32 - 63 64 - 95 96 - 127 128 - 159 160 - 191 192 - 223 224 - 255	STROBING LED OFF LED ON STROBING SLOW - FAST LED ON PULSE STROBING SLOW - FAST LED ON RANDOM STROBING SLOW - FAST LED ON
6	0 - 255	MASTER DIMMER 0% - 100%
7	0 - 51 52 - 102 103 - 153 154 - 204 205 - 255	PROGRAM SELECTION MODE DIMMING MODE COLOR MACRO MODE COLOR CHANGE MODE COLOR FADE MODE SOUND ACTIVE MODE
8	0 - 255  0 - 15 16 - 31 32 - 47 48 - 63 64 - 79 80 - 95 96 - 111 112 - 127 128 - 143 144 - 159 160 - 175 176 - 191 192 - 207 208 - 223 224 - 239 240 - 255	COLOR MACROS/PROGRAMS COLOR MACRO MODE SEE THE COLOR MACRO CHART ON PAGES 15-16  COLOR CHANGE PROGRAMS COLOR CHANGE 1 COLOR CHANGE 2 COLOR CHANGE 3 COLOR CHANGE 4 COLOR CHANGE 5 COLOR CHANGE 6 COLOR CHANGE 7 COLOR CHANGE 8 COLOR CHANGE 9 COLOR CHANGE 10 COLOR CHANGE 11 COLOR CHANGE 12 COLOR CHANGE 13 COLOR CHANGE 14 COLOR CHANGE 15 COLOR CHANGE 16

**9 CHANNEL MODE (continued)**

Channel	Value	Function
8		COLOR MACROS/PROGRAMS
		COLOR FADE PROGRAMS
	0 - 15	COLOR FADE 1
	16 - 31	COLOR FADE 2
	32 - 47	COLOR FADE 3
	48 - 63	COLOR FADE 4
	64 - 79	COLOR FADE 5
	80 - 95	COLOR FADE 6
	96 - 111	COLOR FADE 7
	112 - 127	COLOR FADE 8
	128 - 143	COLOR FADE 9
	144 - 159	COLOR FADE 10
	160 - 175	COLOR FADE 11
	176 - 191	COLOR FADE 12
	192 - 207	COLOR FADE 13
	208 - 223	COLOR FADE 14
	224 - 239	COLOR FADE 15
	240 - 255	COLOR FADE 16
		SOUND ACTIVE PROGRAMS
	0 - 15	SOUND ACTIVE MODE 1
	16 - 31	SOUND ACTIVE MODE 2
	32 - 47	SOUND ACTIVE MODE 3
	48 - 63	SOUND ACTIVE MODE 4
	64 - 79	SOUND ACTIVE MODE 5
	80 - 95	SOUND ACTIVE MODE 6
	96 - 111	SOUND ACTIVE MODE 7
	112 - 127	SOUND ACTIVE MODE 8
	128 - 143	SOUND ACTIVE MODE 9
	144 - 159	SOUND ACTIVE MODE 10
	160 - 175	SOUND ACTIVE MODE 11
	176 - 191	SOUND ACTIVE MODE 12
	192 - 207	SOUND ACTIVE MODE 13
	208 - 223	SOUND ACTIVE MODE 14
	224 - 239	SOUND ACTIVE MODE 15
	240 - 255	SOUND ACTIVE MODE 16
9		PROGRAM SPEED/SOUND SENSITIVITY
	0 - 255	PROGRAM SPEED SLOW - FAST
	0 - 255	SOUND SENSITIVITY LEAST - MOST SENSITIVE

**When Channel 7 is between the values of 0-51, Channels 1-4 are used, and Channel 5 will control strobing.**

**When Channel 7 is between the values of 52-102, Channel 8 is in Color Macros Mode, and Channel 5 will control strobing.**

**When Channel 7 is between the values of 103-153, Channel 8 is in Color Change Mode, and Channel 9 will control the color change speed.**

**When Channel 7 is between the values of 154-204, Channel 8 is in Color Fade Mode, and Channel 9 will control the color fade speed.**

**When Channel 7 is between the values of 205-255, Channel 8 is in Sound Active Mode, and Channel 9 will control the sound sensitivity.**

## 10 CHANNEL MODE

Channel	Value	Function
1	0 - 255	RED 0% - 100%
2	0 - 255	GREEN 0% - 100%
3	0 - 255	BLUE 0% - 100%
4	0 - 255	AMBER 0% - 100%
5	0 - 31 32 - 63 64 - 95 96 - 127 128 - 159 160 - 191 192 - 223 224 - 255	STROBING LED OFF LED ON STROBING SLOW - FAST LED ON PULSE STROBING SLOW - FAST LED ON RANDOM STROBING SLOW - FAST LED ON
6	0 - 255	MASTER DIMMER 0% - 100%
7	0 - 51 52 - 102 103 - 153 154 - 204 205 - 255	PROGRAM SELECTION MODE DIMMING MODE COLOR MACRO MODE COLOR CHANGE MODE COLOR FADE MODE SOUND ACTIVE MODE
8	0 - 255  0 - 15 16 - 31 32 - 47 48 - 63 64 - 79 80 - 95 96 - 111 112 - 127 128 - 143 144 - 159 160 - 175 176 - 191 192 - 207 208 - 223 224 - 239 240 - 255	COLOR MACROS/PROGRAMS COLOR MACRO MODE SEE THE COLOR MACRO CHART ON PAGES 15-16  COLOR CHANGE PROGRAMS COLOR CHANGE 1 COLOR CHANGE 2 COLOR CHANGE 3 COLOR CHANGE 4 COLOR CHANGE 5 COLOR CHANGE 6 COLOR CHANGE 7 COLOR CHANGE 8 COLOR CHANGE 9 COLOR CHANGE 10 COLOR CHANGE 11 COLOR CHANGE 12 COLOR CHANGE 13 COLOR CHANGE 14 COLOR CHANGE 15 COLOR CHANGE 16

## 10 CHANNEL MODE (continued)

Channel	Value	Function
8		COLOR MACROS/PROGRAMS
		COLOR FADE PROGRAMS
	0 - 15	COLOR FADE 1
	16 - 31	COLOR FADE 2
	32 - 47	COLOR FADE 3
	48 - 63	COLOR FADE 4
	64 - 79	COLOR FADE 5
	80 - 95	COLOR FADE 6
	96 - 111	COLOR FADE 7
	112 - 127	COLOR FADE 8
	128 - 143	COLOR FADE 9
	144 - 159	COLOR FADE 10
	160 - 175	COLOR FADE 11
	176 - 191	COLOR FADE 12
	192 - 207	COLOR FADE 13
	208 - 223	COLOR FADE 14
	224 - 239	COLOR FADE 15
	240 - 255	COLOR FADE 16
		SOUND ACTIVE PROGRAMS
	0 - 15	SOUND ACTIVE MODE 1
	16 - 31	SOUND ACTIVE MODE 2
	32 - 47	SOUND ACTIVE MODE 3
	48 - 63	SOUND ACTIVE MODE 4
	64 - 79	SOUND ACTIVE MODE 5
	80 - 95	SOUND ACTIVE MODE 6
	96 - 111	SOUND ACTIVE MODE 7
	112 - 127	SOUND ACTIVE MODE 8
	128 - 143	SOUND ACTIVE MODE 9
	144 - 159	SOUND ACTIVE MODE 10
	160 - 175	SOUND ACTIVE MODE 11
	176 - 191	SOUND ACTIVE MODE 12
	192 - 207	SOUND ACTIVE MODE 13
208 - 223	SOUND ACTIVE MODE 14	
224 - 239	SOUND ACTIVE MODE 15	
240 - 255	SOUND ACTIVE MODE 16	
9	0 - 255	PROGRAM SPEED/SOUND SENSITIVITY
	0 - 255	PROGRAM SPEED SLOW - FAST
	0 - 255	SOUND SENSITIVITY LEAST - MOST SENSITIVE
10	0 - 20	DIMMER CURVES
	21 - 40	STANDARD
	41 - 60	STAGE
	61 - 80	TV
	81 - 100	ARCHITECTURAL
	101 - 255	THEATRE
	101 - 255	DEFAULT TO UNIT SETTING

When Channel 7 is between the values of 0-51, Channels 1-4 are used, and Channel 5 will control strobing.

When Channel 7 is between the values of 52-102, Channel 8 is in Color Macros Mode, and Channel 5 will control strobing.

When Channel 7 is between the values of 103-153, Channel 8 is in Color Change Mode, and Channel 9 will control the color change speed.

When Channel 7 is between the values of 154-204, Channel 8 is in Color Fade Mode, and Channel 9 will control the color fade speed.

When Channel 7 is between the values of 205-255, Channel 8 is in Sound Active Mode, and Channel 9 will control the sound sensitivity.

## COLOR MACRO CHART

Color No.	DMX VALUE	RGBA COLOR INTENSITY			
		RED	GREEN	BLUE	AMBER
OFF	0	0	0	0	0
Color 1	1-4	80	255	234	80
Color2	5-8	80	255	164	80
Color3	9-12	77	255	112	77
Color4	13-16	117	255	83	83
Color5	17-20	160	255	77	77
Color6	21-24	223	255	83	83
Color7	25-28	255	243	77	77
Color8	29-32	255	200	74	74
Color9	33-36	255	166	77	77
Color10	37-40	255	125	74	74
Color11	41-44	255	97	77	74
Color12	45-48	255	71	77	71
Color13	49-52	255	83	134	83
Color14	53-56	255	93	182	93
Color15	57-60	255	96	236	96
Color16	61-64	238	93	255	93
Color17	65-68	196	87	255	87
Color18	69-72	150	90	255	90
Color19	73-76	100	77	255	77
Color20	77-80	77	100	255	77
Color21	81-84	67	148	255	67
Color22	85-88	77	195	255	77
Color23	89-92	77	234	255	77
Color24	93-96	158	255	144	144
Color25	97-100	255	251	153	153
Color26	101-104	255	175	147	147
Color27	105-108	255	138	186	138
Color28	109-112	255	147	251	147
Color29	113-116	151	138	255	138
Color30	117-120	99	0	255	100
Color31	121-124	138	169	255	138
Color32	125-128	255	255	255	255

Color No.	DMX VALUE	RGBA COLOR INTENSITY			
		RED	GREEN	BLUE	AMBER
Color33	129-132	255	206	143	0
Color34	133-136	254	177	153	0
Color35	137-140	254	192	138	0
Color36	141-144	254	165	98	0
Color37	145-148	254	121	0	0
Color38	149-152	176	17	0	0
Color39	153-156	96	0	11	0
Color40	157-160	234	139	171	0
Color41	161-164	224	5	97	0
Color42	165-168	175	77	173	0
Color43	169-172	119	130	199	0
Color44	173-176	147	164	212	0
Color45	177-180	88	2	163	0
Color46	181-184	0	38	86	0
Color47	185-188	0	142	208	0
Color48	189-192	52	148	209	0
Color49	193-196	1	134	201	0
Color50	197-200	0	145	212	0
Color51	201-204	0	121	192	0
Color52	205-208	0	129	184	0
Color53	209-212	0	83	115	0
Color54	213-216	0	97	166	0
Color55	217-220	1	100	167	0
Color56	221-224	0	40	86	0
Color57	225-228	209	219	182	0
Color58	229-232	42	165	85	0
Color59	233-236	0	46	35	0
Color60	237-240	8	107	222	0
Color61	241-244	255	0	0	0
Color62	245-248	0	255	0	0
Color63	249-252	0	0	255	0
Color64	253-255	0	0	0	255



**SYSTEM MENU**

<b>MENU</b>	<b>DESCRIPTION</b>
DMX MODE ADDR:001~512	Set the DMX starting address
DMX MODE CHAN:4/5/6/9/10	Set the unit DMX channels
DMX MODE NO:BLACK	When DMX signal is lost or interrupted, the unit will default to BLACKOUT option. It will switch all LED's off
DMX MODE NO:HOLD	When DMX signal is lost or interrupted, the unit will default to HOLD option. It will hold the last state before signal was lost.
DMX MODE NO:AUTO	When DMX signal is lost or interrupted, the unit will default to AUTO option. It will run the internal programs.
DMX MODE NO:MANUA	When DMX signal is lost or interrupted, the unit will default to the manual color setting
DMX MODE DELAY:0~4	Select the unit delay mode
SLAVE MODE	Set the unit into slave mode
SOUND PRO:01~16	Select the 16 sound active modes
SOUND SENS:00~08	Adjust the sound active sensitivity level,00 is sound active off,01 is the lowest level,8 is highest level.
MANUAL RED:000~255	Adjust the intensity of the red color
MANUAL GREN:000~255	Adjust the intensity of the green color
MANUAL BLUE:000~255	Adjust the intensity of the blue color
MANUAL AMBE:000~255	Adjust the intensity of the amber color
MANUAL STROB:00~15	Adjust the flash speed,00 is flash off,01 is slowest,15 is fastest
JUMP RUN SNAP:01~16	Select the 16 color change modes
JUMP RUN SPEED:01~16	Adjust the speed of the color change mode
FADE RUN SNAP:01~16	Select the 16 color dreaming modes
FADE RUN SPEED:01~16	Adjust the speed of the color dreaming mode
AUTO RUN FAD+SNAP	Select the auto run mode
AUTO RUN SPEED:01~16	Adjust the speed of the auto run mode
CLR MACS COLOR:00~64	Select the 64 static colors
CLR MACS STROB:00~15	Adjust the strobe speed,00 is strobe off,01 is slowest,15 is fastest
OPTION BLGT:ON	LCD backlight always on
OPTION BLGT:OFF	LCD backlight will be off after 20 seconds
OPTION IR:ON	IR remote function on
OPTION IR:OFF	IR remote function off
OPTION SYSRESET	Initialize the unit at the extra factory setting

## OPERATING INSTRUCTIONS

***The control panel will lock up after 5 seconds of inactivity. Press the MODE button for at least 5 seconds to unlock the control panel.***

### ***LCD Backlight On/Off:***

To set the LCD backlight to turn off after 20 seconds, press the MODE button until "OPTION BLGT: XX" is displayed. "XX" represents the current state. Press the UP or DOWN buttons to set the backlight to turn "OFF" after 20 seconds or "ON" to stay on at all times.

### ***Operating Modes:***

The MOD QA60 has seven operating modes:

- **RGBA Dimmer Mode** - Choose one of the four colors to remain static or adjust the intensity of each color to make your desired color.
- **Color Change mode** - There are 16 color change modes to choose from. In color change mode the unit will change through the various colors depending on the color change mode that is chosen. The color change running speed is adjustable.
- **Color Fade mode** - There are 16 color fade modes to choose from. In color fade mode the unit will fade through the various colors depending on the color fade mode that is chosen. The fade running speed is adjustable.
- **Auto Run Mode** - In Auto Run Mode, the fixture will run a combination of color change and color fade. The running speed is adjustable.
- **Sound Active mode** - The unit will react to sound, chasing through the built in programs. There are 16 sound active modes.
- **Static Color Mode** - There are 64 colors to choose from.
- **DMX control mode** - This function will allow you to control each individual fixtures traits with a standard DMX 512 controller.

### ***DMX Mode:***

Operating through a DMX controller gives the user the freedom to create their own programs tailored to their own individual needs. The MOD QA60 has 5 DMX modes: 4 channel mode, 5 channel mode, 6 channel mode, 9 channel mode, and 10 channel mode. See pages 10-14 for each mode's DMX traits.

1. This function will allow you to control each individual fixture's traits with a standard DMX 512 controller.
2. To run your fixture in DMX mode press the MODE button until "DMX MODE:XXX" is displayed. "XXX" represents the current displayed DMX address. Use the UP or DOWN buttons to select your desired DMX address, then press the SETUP button to select your DMX channel mode.
3. Use the UP or DOWN buttons to scroll through the DMX channel modes. The channel modes are listed below:
  - "CHAN: 04" is 4 Channel DMX Mode.
  - "CHAN: 05" is 5 Channel DMX Mode.
  - "CHAN: 06" is 6 Channel DMX Mode.
  - "CHAN: 09" is 9 Channel DMX Mode.
  - "CHAN: 10" is 10 Channel DMX Mode.
4. Please see pages 10-14 for DMX values and traits.
5. After you have chosen your desired DMX Channel mode plug in the fixture via the XLR connections to any standard DMX controller.

***RGBA Dimmer Mode:***

1. Plug the fixture in and press the MODE button until "MANUAL" is displayed. Press the SET UP button to cycle through the RGBA colors.
2. When "RED" is displayed you are in Red dimming mode. Use the UP and DOWN buttons to adjust intensity.
3. When "GREN" is displayed you are in Green dimming mode. Use the UP and DOWN buttons to adjust intensity.
4. When "BLUE" is displayed you are in Blue dimming mode. Use the UP and DOWN buttons to adjust intensity.
5. When "AMBE" is displayed you are in Amber dimming mode. Use the UP and DOWN buttons to adjust intensity.
6. After you have adjusted the colors to make your desired color you can then activate strobing by pressing the SET UP button to enter strobing.
7. "STROB" will be displayed, this is strobing mode. The strobing can be adjusted between "00" (strobing off) to "15" (fastest strobing).

***Color Change Mode:***

1. Plug the fixture in and press the MODE button until "JUMP RUN SNAP: XX" is displayed. "XX" represents a number between 01-16.
2. Use the UP and DOWN buttons to find your desired color change mode.
3. Press the SET UP button and "SPEED: XX" will be displayed. Use the UP and DOWN buttons to adjust the speed of the color change. The speed can be adjusted between "01" (slowest) to "16" (fastest).

***Color Fade Mode:***

1. Plug the fixture in and press the MODE button until "FADE RUN SNAP: XX" is displayed. "XX" represents a number between 01-16.
2. Use the UP and DOWN buttons to find your desired color fade mode.
3. Press the SET UP button and "SPEED: XX" will be displayed. Use the UP and DOWN buttons to adjust the speed of the color fade. The speed can be adjusted between "01" (slowest) to "16" (fastest).

***Auto Run Mode:***

1. Plug the fixture in and press the MODE button until "AUTO RUN FAD+SNAP" is displayed.
2. Press the SET UP button and "SPEED: XX" will be displayed. Use the UP and DOWN buttons to adjust the speed of the Auto Run. The speed can be adjusted between "01" (slowest) to "16" (fastest).

***Sound Active Mode:***

1. Plug the fixture in and press the MODE button until "SOUND PROG: XX" is displayed. "XX" represents a number between 01-16.
2. Use the UP and DOWN buttons to find your desired sound active program.
3. Press the SET UP button and "SENS: XX" will be displayed. Use the UP and DOWN buttons to adjust the sound sensitivity. The sensitivity can be adjusted between "00" (least sensitive) to "08" (most sensitive).

***Static Color Mode:***

1. Plug the fixture in and press the MODE button until "CLR MACS COLOR: XX" is displayed. "XX" represents a number between 00-64.
2. Use the UP and DOWN buttons to scroll through the 64 colors and find you desired color. After you have found your desired color you can activate strobing by pressing the SET UP button to enter the strobe mode.
3. "STROB: XX" will be displayed, this is strobe mode. The strobing can be adjusted between "00" (flash off) to "15" (fastest flash).

## OPERATING INSTRUCTIONS (continued)

### **System Reset:**

This will return the fixture to its factory settings.

1. Plug the fixture in and press the MODE button until "OPTION" is displayed.
2. Press the SET UP button until "SYSRESET" is displayed.
3. Press the UP and DOWN buttons simultaneously to reset or press the MODE button to exit.

### **Dimmer Curve:**

This is used to set the dimming curve used with DMX mode. See page 22 for the different dimming curves.

1. Plug the fixture in and press the MODE button until "DMX MODE ADDR: XXX" is displayed.
2. Press the SET UP button until "DELAY: X" is displayed. "X" represents the displayed dimmer curve (0-4).
  - 0 - Standard
  - 1 - Stage
  - 2 - TV
  - 3 - Architectural
  - 4 - Theatre
3. Press the UP or DOWN buttons to scroll through and select your desired dimming curve.

### **DMX State:**

This mode can be used as a precaution mode, that in case the DMX signal is lost, the operating mode chosen in the setup is the running mode the fixture will go into when the DMX signal is lost. You can also set this as the operating mode you would like the unit to return to when power is applied.

1. Plug the fixture in and press the MODE button until "DMX MODE ADDR:XXX" is displayed.
2. Press the SET UP button until "DMX MODE NO" is displayed. The current DMX state will be displayed.
  - "BLACK" (Blackout) - If the DMX signal is lost or interrupted, the unit will automatically go into stand by mode.
  - "HOLD" (Last State) - If the DMX signal is lost or interrupted, the fixture will stay in the last DMX set up.
  - "AUTO" (Auto Run) - If the DMX signal is lost or interrupted, the unit will automatically go into Auto Run mode.
  - "MANUA" (Manual) - if the DMX signal is lost or interrupted, the unit will automatically go into the last color set up in manual dimmer mode.
3. Press the UP or DOWN buttons to scroll through and select your desired DMX state.

### **ADJ UC IR & Airstream:**

This function is used to activate and deactivate the infrared sensor. When this function is activated the unit can be controlled using the ADJ UC IR or Airstream IR app. Please see page 21 for remote controls and functions.

1. Plug the fixture in and press the MODE button until "OPTION" is displayed.
2. Press the SET UP button until "IR: XX" is displayed.
3. Press the UP or DOWN buttons to either activate the remote function (On) or deactivate it (Off).

## MASTER-SLAVE CONFIGURATION

### **Master-Slave Configuration:**

This function will allow the user to link units together to run in a Master-Slave set-up. In a Master-Slave set up, one unit will act as the controlling unit and the others will react to the controlling units running mode. Any unit can act as a Master or as a Slave, however, only one unit can be programmed to act as the "Master."

### **Master-Slave Connections and Settings:**

1. Daisy chain the units via the XLR connectors on the bottom of the unit. Use standard XLR data cables to link the units together. Remember that the Male XLR connector is the input and the Female XLR connector is the output. The first unit in the chain (master) will use the female XLR connector only. The last unit in the chain will use the male XLR connector only.
2. Connect the first "Slave" unit to the "Master."
3. Set the "Master" unit to a desired mode of operation. On the "Slave" unit's press the MODE button until "SLAVE MODE" is displayed. The "Slave" unit(s) will now follow the "Master".

## SNOOT EFFECT

The body of the MOD QA60 can easily be adjusted to create a Snoot Effect to eliminate side glare. Loosen the bracket knobs and slide the innards up and down using the bracket. Find your optimal setting and tighten the bracket knobs to lock the body in place.

## ADJ UC IR/ AIRSTREAM IR CONTROL

The **UC IR** infrared remote gives you control of various functions (See below). To control the fixture you must aim the remote at the front of the fixture and be no more than 30 feet away. To use the ADJ UC IR you must first activate the fixtures infrared sensor, to activate the sensor please see the instructions on page 20.

The **Airstream IR** remote transmitter plugs into the headphone jack of your iOS phone or tablet. To control your IR fixture you must raise the volume to the maximum on your iOS phone or tablet and aim the transmitter at the fixture sensor and be no more than 15 feet away. After you have purchased the Airstream IR transmitters, the app is a free download from the app store for your iOS phone or tablet. The app comes with 3 pages of control depending on the fixture you are using. Please see below for IR functions including the corresponding app page.

### **Works with App page 1**

**STAND BY** - Pressing this button will blackout the fixture. Press the button again to return to the initial state.

**FULL ON** - Press this button down to fully light up the unit. Press any button to exit this mode.

**FADE/GOBO** - Press this button to switch between Color Change Mode, Color Fade Mode, and Auto Run Mode. Use buttons 1-9 to select your desired show. Press this button twice for show 10. Press button 1 twice for show 11.

**"DIMMER +" and "DIMMER -"** - Use these buttons to adjust the output intensity when color macro mode is active.

**STROBE** - Press this button to activate strobing. Use buttons 1-4 to adjust the strobe speed. "1" being the slowest, "4" being the fastest. Press this button again to stop strobing.

**COLOR** - Press this button to activate color mode. Use buttons 1-9 to find your desired color.

**1-9** - Use buttons 1-9 to select a desired color when color macro mode is active or a desired program when color change or color fade mode is active. Use buttons 1-4 to select a desired strobe rate when strobing is active.

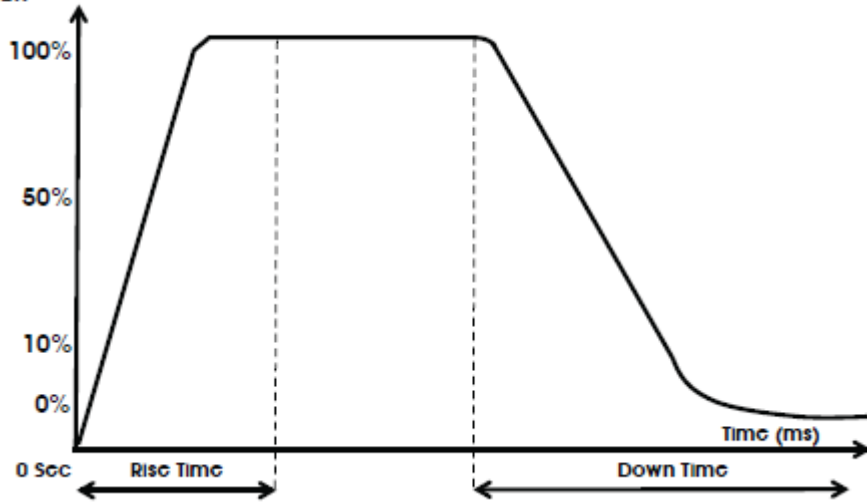
**SOUND ON & OFF** - Use the buttons to activate and deactivate sound active mode. When activated sound sensitivity is at the highest. When SOUND OFF is pressed sensitivity is at its lowest.

**SHOW 0** - Press this button to activate color fade mode. Use buttons 1-9 to select your desired show. Press this button twice for show 10. Press button 1 twice for show 11.

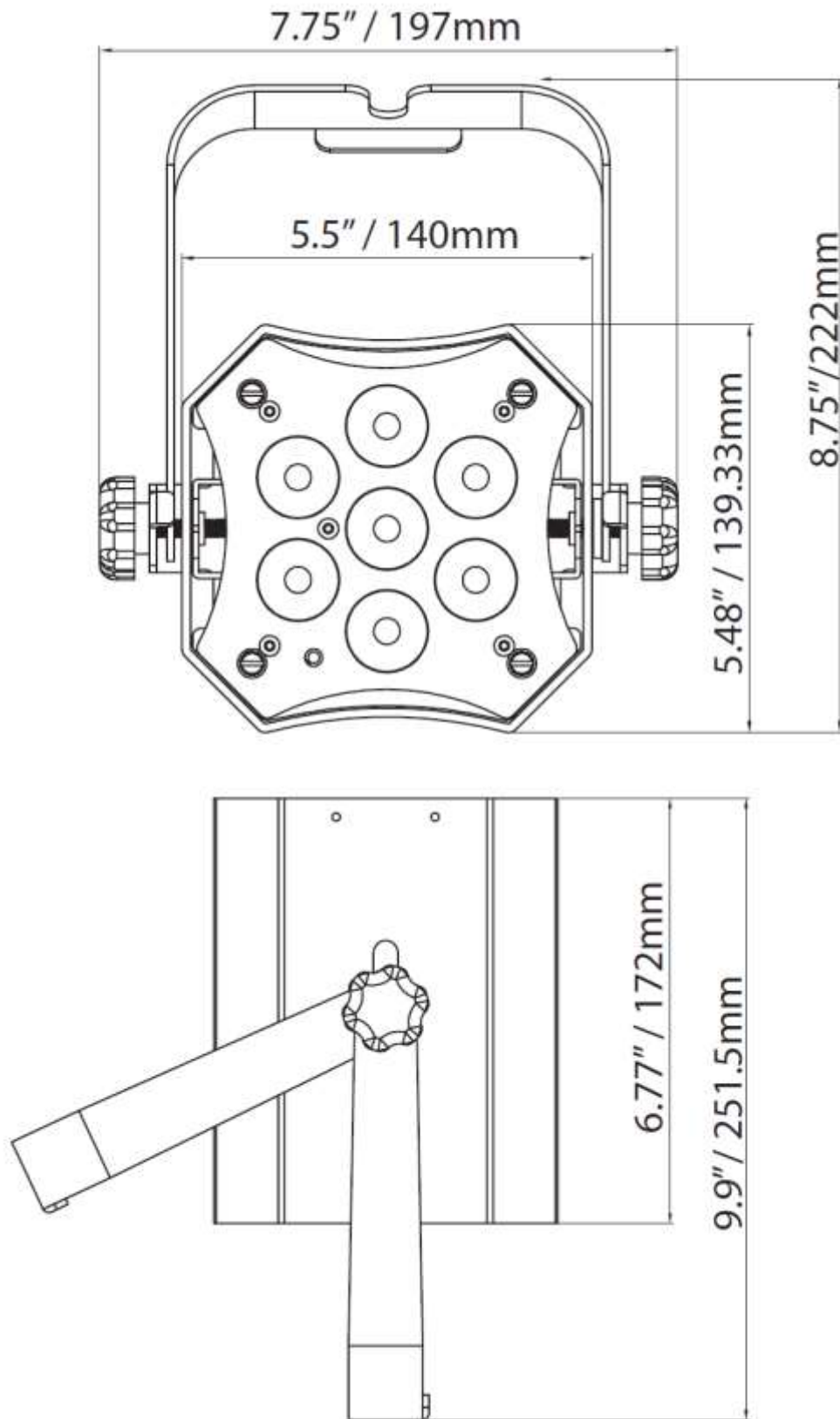
# DIMMER CURVE CHART

DIMMER

DIMMER

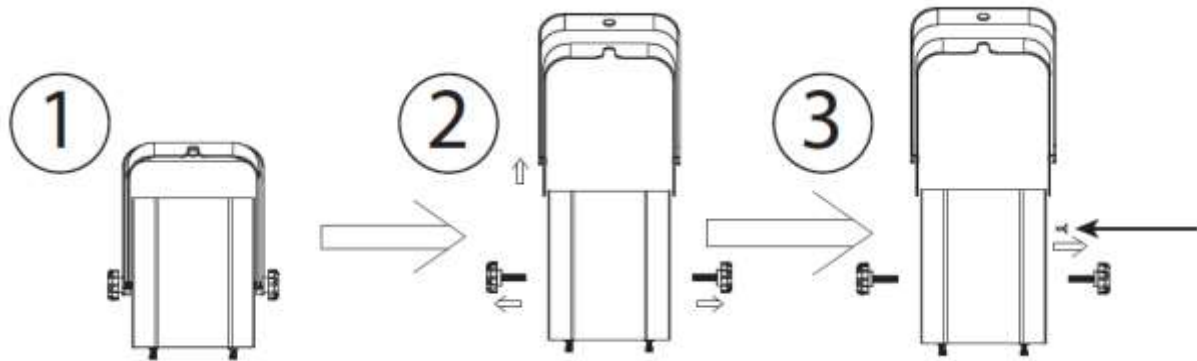


Dimming Curve Ramp Effect	0 sec Fade Time		1 sec Fade Time	
	Rise Time (ms)	Down Time (ms)	Rise Time (ms)	Down Time (ms)
Standard (default)	0	0	0	0
Stage	780	1100	1540	1660
TV	1180	1520	1860	1940
Architectural	1380	1730	2040	2120
Theatre	1580	1940	2230	2280



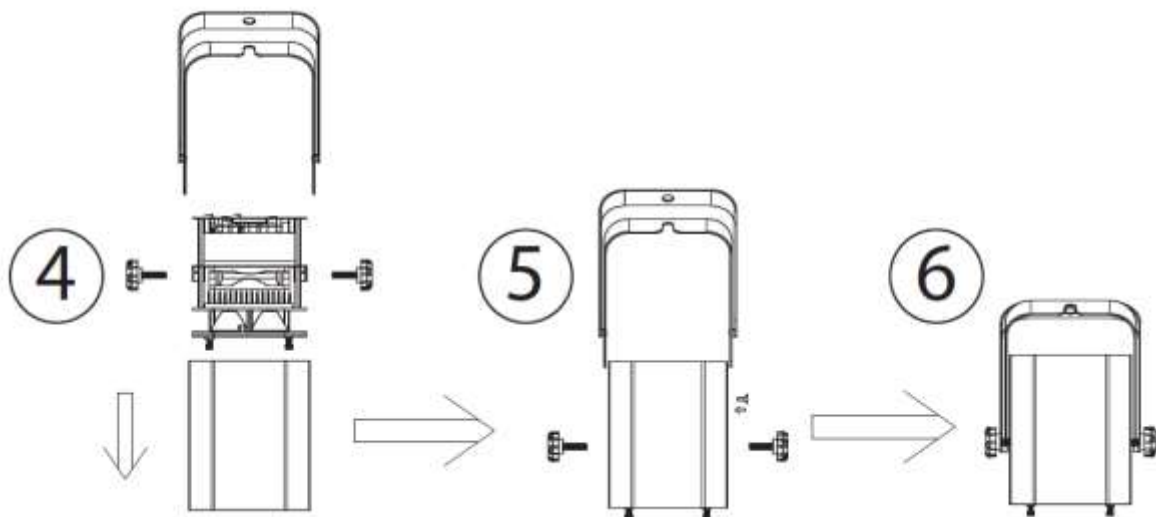
## HOUSING CHANGE

The MOD units housing is interchangeable. You can purchase the white housing kit through ADJ. Changing the housing is very simple process. Follow the instructions below to change the housing. For more help contact ADJ Customer Support.



Start by unscrewing and removing the bracket knobs.

Once the knobs and bracket have been removed, unscrew and remove the safety cable screw.



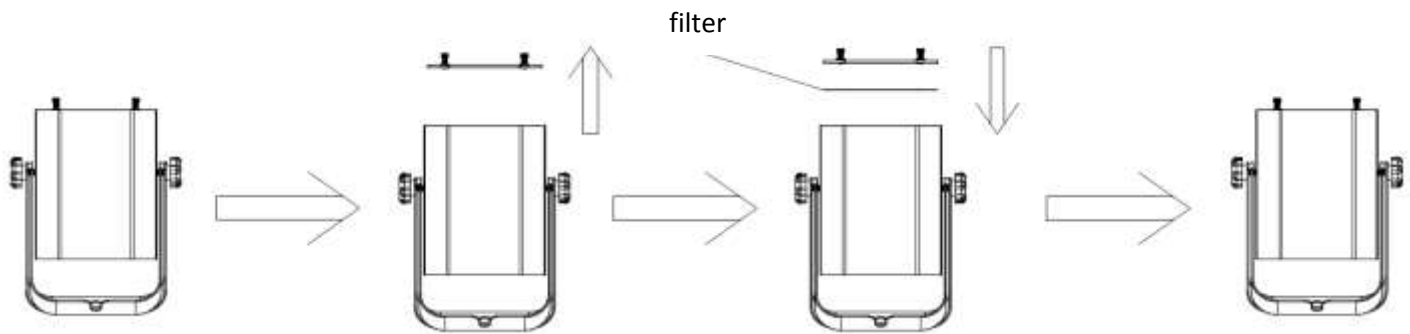
When the screw has been removed and the safety cable is disconnected you are able to remove the innards through the top of the unit.

You are now able to switch shells by carefully lowering the innards into the new case and reassemble. Reconnect the safety cable and attach the bracket and knobs.



## FROST FILTER

The MOD QA60 comes with 3 interchangeable frost filters. To install the frost filter unscrew the four thumb screws holding lens in place. Remove the lens and install the filter inside the unit. Line up the thumb screw holes on the edges of filter with screw holes of the unit. Screw the thumb screws back into place securing the lens. For help contact ADJ Customer Support.



## MULTIPLE UNIT POWER LINKING

*With this feature you can connect the fixtures to one another using the powerCON input and output sockets. The maximum that can be connected is 10 fixtures @ 120V and 18 fixtures @ 240V. After the maximum connected fixtures you will need to use a new power outlet.*

**NOTE: USE CAUTION WHEN POWER LINKING OTHER FIXTURES TO THE MOD QA60 AS THE POWER CONSUMPTION OF OTHER LIGHTING FIXTURES WILL VARY!**

## TROUBLE SHOOTING

Listed below are a few common problems the user may encounter, with solutions.

### **Unit not responding to DMX:**

1. Check that the DMX cables are connected properly and are wired correctly (pin 3 is “hot”; on some other DMX devices pin 2 may be ‘hot’). Also, check that all cables are connected to the right connectors; it does matter which way the inputs and outputs are connected.

### **Unit does not respond to sound:**

1. Quiet or high pitched sounds will not activate the unit.
2. Make sure that Sound Active mode is activated.

## CLEANING

Due to fog residue, smoke, and dust cleaning the internal and external optical lenses must be carried out periodically to optimize light output.

1. Use normal glass cleaner and a soft cloth to wipe down the outside casing.
2. Clean the external optics with glass cleaner and a soft cloth every 20 days.
3. Always be sure to dry all parts completely before plugging the unit back in.

Cleaning frequency depends on the environment in which the fixture operates (i.e. smoke, fog residue, dust, dew).

## SPECIFICATIONS

<b>Model:</b>	<b>MOD QA60</b>
Voltage:	100V~240V/50~60Hz
LEDs:	4 x 15W 4-in-1 RGBA LED's
Working Position:	Any safe working position
Power Draw:	60W
Power Linking:	10 Fixtures Max. @ 120V 18 Fixtures Max. @ 240V
Weight:	6 lbs./ 2.7 Kgs.
Dimensions:	7.75" (L) x 5.48" (W) x 9.9" (H) 197 x 139.5 x 251.5 mm
Colors	RGBA Color Mixing
DMX Channels:	5 DMX Modes: 4/5/6/9/10

**Please Note:** Specifications and improvements in the design of this unit and this manual are subject to change without any prior written notice.

Dear Customer,

The European Union has adopted a directive on the restriction / prohibition of the use of hazardous substances. This directive, referred to as ROHS, is a frequently discussed topic in the electronic industry.

It restricts, among other things, six materials: Lead (Pb), Mercury (Hg), hexavalent chromium (CR VI), cadmium (Cd), polybrominated biphenyls as flame retardant (PBB), polybrominated diphenyl, also a flame retardant (PBDE). The directive applies to nearly all electronic and electrical devices whose mode of operation involves electric or electromagnetic fields – in short: each kind of electronics we have around us in our households or at work.

As manufacturers of products of the brands of AMERICAN AUDIO, AMERICAN DJ, ELATION Professional and ACCLAIM Lighting, we are obligated to comply with the RoHS directive. Therefore, as early as two years prior to the directive coming into force, we started our search for alternative environmentally friendly materials and manufacturing processes.

Well before the RoHS directive took effect, all of our products were manufactured meeting the standards of the European Union. With regular audits and material tests we can still assure that the components we use are always RoHS-compliant and that the manufacturing process, as far as the state of technology allows, is environmentally friendly.

The ROHS directive is an important step to the protection of our environment. We, as manufactures, feel obligated to make our contribution in this respect.

## WEEE – Waste of Electrical and Electronic Equipment

Every year thousands of tonnes of electronic components, which are harmful to the environment, end up at the waste disposals around the world. To ensure the best possible disposal or recovery of electronic components, the European Union has adopted the WEEE directive.

The WEEE-system (Waste of Electrical and Electronic Equipment) can be compared with the system of the “Green Spot”, which has been in use for several years. The manufactures have to make their contribution to the utilization of waste at the time they release the product. Money resources obtained by doing so will be applied to develop a common system of waste management. Thereby we can ensure professional and environmentally friendly scraping and recycling program.

As manufactures, we are part of the German system of EAR and we make our contribution towards it.

(Registration in Germany: DE41027552)

That means that products of AMERICAN DJ and AMERICAN AUDIO can be left in the collection points free of charge and they will be used in the recycling program. Products of ELATION Professional, which are used only by professionals, shall be handled by us. Please send Elation products directly to us at the end of their lifetime so that we can professionally dispose of them.

Like the above ROHS, the WEEE directive is an important contribution to the environment protection and we are glad to help to clean the environment with this disposal system.

We are happy to answer any of your inquiries and welcome your suggestions at: [info@americandj.eu](mailto:info@americandj.eu)

ADJ Products, LLC  
6122 S. Eastern Ave. Los Angeles, CA 90040 USA  
Tel: 323-582-2650 / Fax: 323-725-6100  
Web: [www.adj.com](http://www.adj.com) / E-mail: [info@americandj.com](mailto:info@americandj.com)

Follow Us On:



[facebook.com/americandj](https://facebook.com/americandj)  
[twitter.com/americandj](https://twitter.com/americandj)  
[youtube.com/americandj](https://youtube.com/americandj)

A.D.J. Supply Europe B.V.  
Junostraat 2  
6468 EW Kerkrade  
The Netherlands  
Tel: +31 45 546 85 00 / Fax: +31 45 546 85 99  
Web: [www.americandj.eu](http://www.americandj.eu) / E-mail: [support@adj.eu](mailto:support@adj.eu)