



DRM18S

The DRM18S 2000W 18" Professional Powered Subwoofer delivers class-leading power via an ultra-efficient Class-D amplifier with next-gen protection and Power Factor Correction technology provides peak low-end performance when you need it.

Advanced Impulse™ DSP provides acoustic correction via precision tuned FIR filters for accurate, punchy sound typically experienced only with massive touring systems.

The DRM Control Dashboard™ features a high-contrast, full-color display for quick access metering, crossover settings, and more.

Designed to match the rest of the DRM Series perfectly, the DRM18S is stackable, flyable, and is equipped with a pole cup for maximum versatility.

APPLICATIONS:

Small to mid-size club/band PA systems, houses of worship, DJs, rehearsal spaces, gymnasiums, banquet halls, A/V rentals and many, many more.



Like us



Follow us



Watch our dang videos

FEATURES:

- High-efficiency 2000W Class-D amplifier offers ample headroom for professional applications
 - Universal power supply (100-240 VAC) with Power Factor Correction technology ensures consistent performance even with unstable AC power
 - Next-gen protection circuitry keeps transducers safe and ensures peak performance in all applications
- Advanced Impulse™ DSP module
 - Precision acoustic correction delivers reference quality sound that is consistent even at high SPL
- DRM Control Dashboard™ features a high-resolution full color display for easy single-knob access to configuration, processing, and more
 - View current crossover setting, high-resolution metering, and more from a single overview window
 - User adjustable variable crossover point allows for matching to any speaker system plus a DRM specific mode tailors DRM18S for full-range DRM loudspeakers
 - Save and recall up to 6 user presets for various applications and venues
 - Cardioid mode allows for easy setup of a directional subwoofer array
 - Screensaver plus dimmer and contrast control
 - Polarity Invert
 - Alignment Delay control for delay stacks
 - System lock with 4-digit passcode
- Dual independent input channels with Full-Range Direct and High-Pass outputs
- Premium components
 - Road-worthy 18mm plywood construction and internal bracing offers optimal acoustic performance with a touring-grade textured coating and powder-coated heavy gauge steel grille
 - 18" high-excursion woofer offers increased bass response, low distortion, and professional reliability to withstand the most demanding applications
- Acoustic design with no compromises
 - DRM18S is acoustically designed with ample internal volume and precision tuned ports to naturally deliver the bass you need with minimal distortion
- Versatile configuration options
 - Flyable via optional FB100 Fly Bar and FKDRM18S Flyware Kit
 - M20 threaded pole attachment for use with DRM Series loudspeakers and other pole mountable speakers
- Max SPL: 135 dB
- 90 lb / 40.8 kg

DRM18S SPECIFICATIONS

Acoustic Performance

Frequency Range (-10 dB):	30 Hz – 120 Hz
Frequency Range (-3 dB):	35 Hz – 160 Hz
Maximum SPL Peak:	135 dB

Transducers

Low Frequency:	18 in / 457 mm woofer with ferrite
----------------	------------------------------------

Power Amplifiers

System Power Amplification	
Rated Power:	2000 watts peak
Low Frequency Power Amplifier	
Rated Power:	2000 watts peak
Rated THD:	< 1%
Cooling Design:	Convection Class D

System Processing

Subwoofer Mode:	Normal / Invert
X-Over:	DRM Top / Var
Cardioid:	Front / Rear
Delay:	0 – 100 ms

Input / Output

Input Type:	2x Female XLR Balanced and 1/4" Balanced
Mic-Line Impedance:	8 k Ω balanced
Direct Out and High-Pass Out:	Male XLR Balanced
Mix Out Impedance:	600 Ω balanced
Main Control:	Rotating Knob

Line Input Power

Detachable line cord:	~100 – 240 VAC, 50 – 60 Hz, 110W ~220 – 240 VAC, 50 – 60 Hz, 110W
AC Connector:	3-pin IEC 250 VAC, 10 A male
Power Supply Type:	Switchmode

Safety Features

Input Protection:	Peak and RMS limiting, power supply and amplifier thermal protection
Display LEDs:	Defeatable front power, Speaker Control
Status Info:	Input and output levels, subwoofer mode, crossover, cardioid mode and delay setting

Construction Features

Basic Design:	Rectangular
Enclosure Material:	18 mm plywood
Enclosure Finish:	Black Polyurea
Grille Material:	16-18 gauge perforated steel
Grille Finish:	Powder-coated black
Handles:	One on each side
Display LEDs	
Front:	Power ON
Rear:	Speaker Control
Operating Temperature:	0 – 40 °C 32 – 104 °F

Physical Properties (product)

Height	23.3 in / 592 mm
Width	23.0 in / 584 mm
Depth	31.1 in / 790 mm
Weight	90.0 lb / 40.8 kg

Physical Properties (packaged product)

Height	25.9 in / 658 mm
Width	28.0 in / 711 mm
Depth	35.6 in / 904 mm
Weight	102.1 lb / 46.3 kg

Mounting Methods

Floor mount or fly via the integrated M10 mounting points (using M10 x 1.5 x 20 mm forged shoulder eyebolts).

Options

DRM18S Cover:	P/N 2036809-51
FKDRM18S Flyware Kit:	P/N 2051056
FB100 Flybar Kit:	P/N 2050041
CK100 Caster Kit:	P/N 2035618-01
SPM400 Loudspeaker Pole Mount:	P/N 2051055
PA-A2 Forged Shoulder Eyebolt Kit (3 x M10 x 1.5 x 20 mm)	P/N 2051054

Ordering Information

DRM18S 2000W 18" Professional Powered Subwoofer, US	P/N 2050081-00
DRM18S 2000W 18" Professional Powered Subwoofer, EU	P/N 2050081-01
DRM18S 2000W 18" Professional Powered Subwoofer, UK	P/N 2050081-03
DRM18S 2000W 18" Professional Powered Subwoofer, AU	P/N 2050081-04
DRM18S 2000W 18" Professional Powered Subwoofer, CN	P/N 2050081-05
DRM18S 2000W 18" Professional Powered Sub, BZ -120V	P/N 2050081-06
DRM18S 2000W 18" Professional Powered Subwoofer, AR	P/N 2050081-07

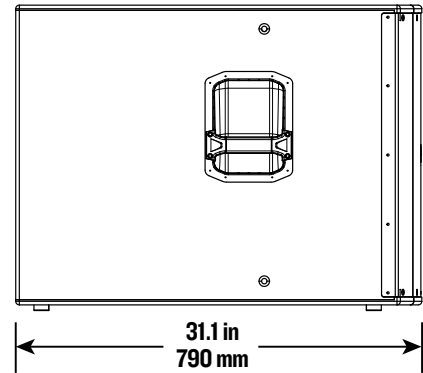
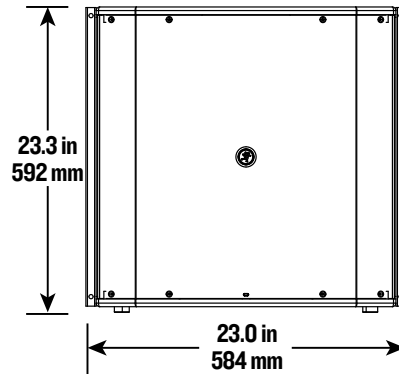
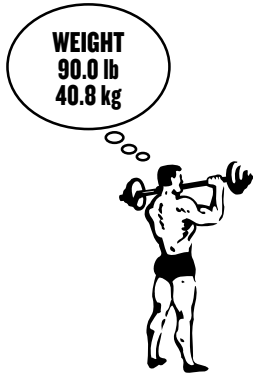


MACKIE®

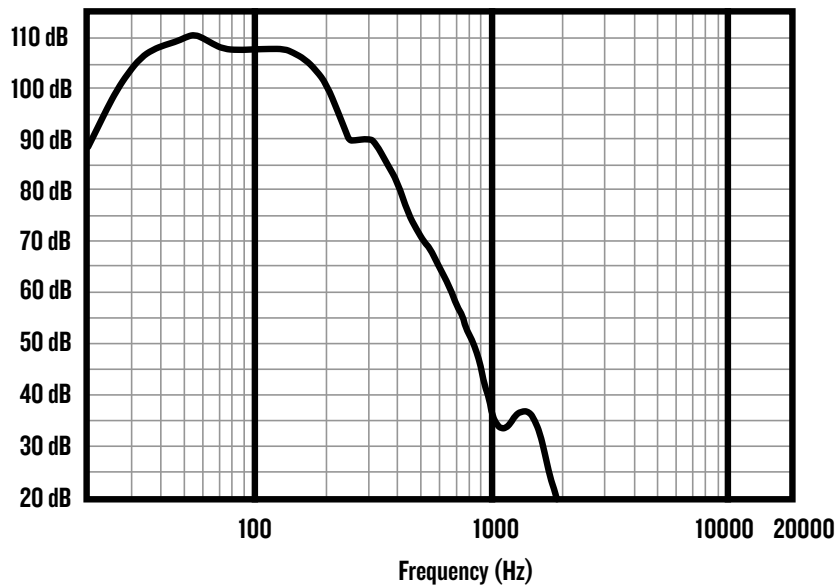
DRM18S

2000W 18" PROFESSIONAL POWERED SUBWOOFER

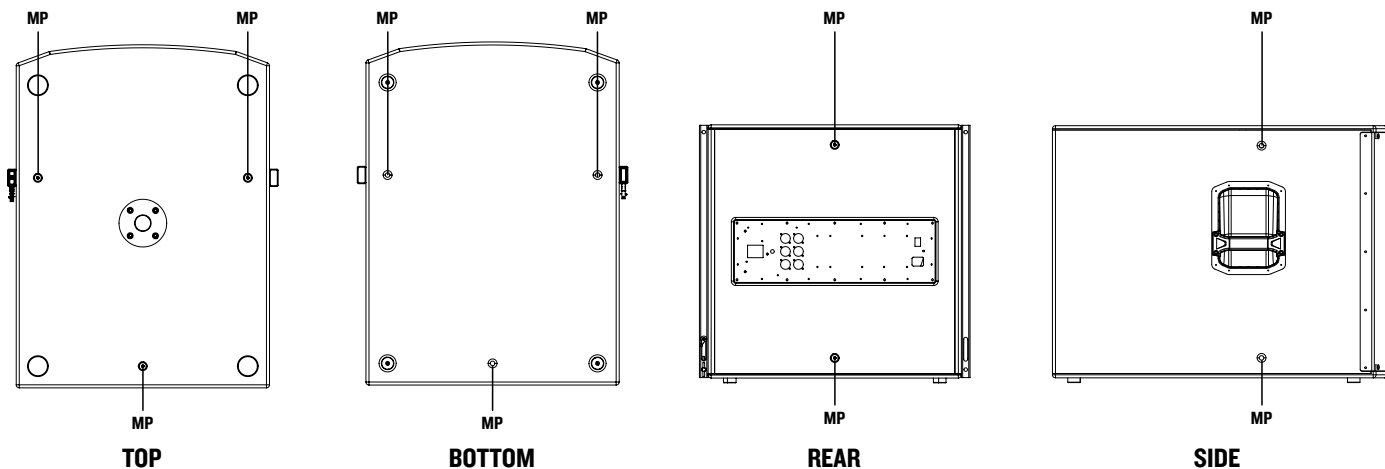
DRM18S DIMENSIONS



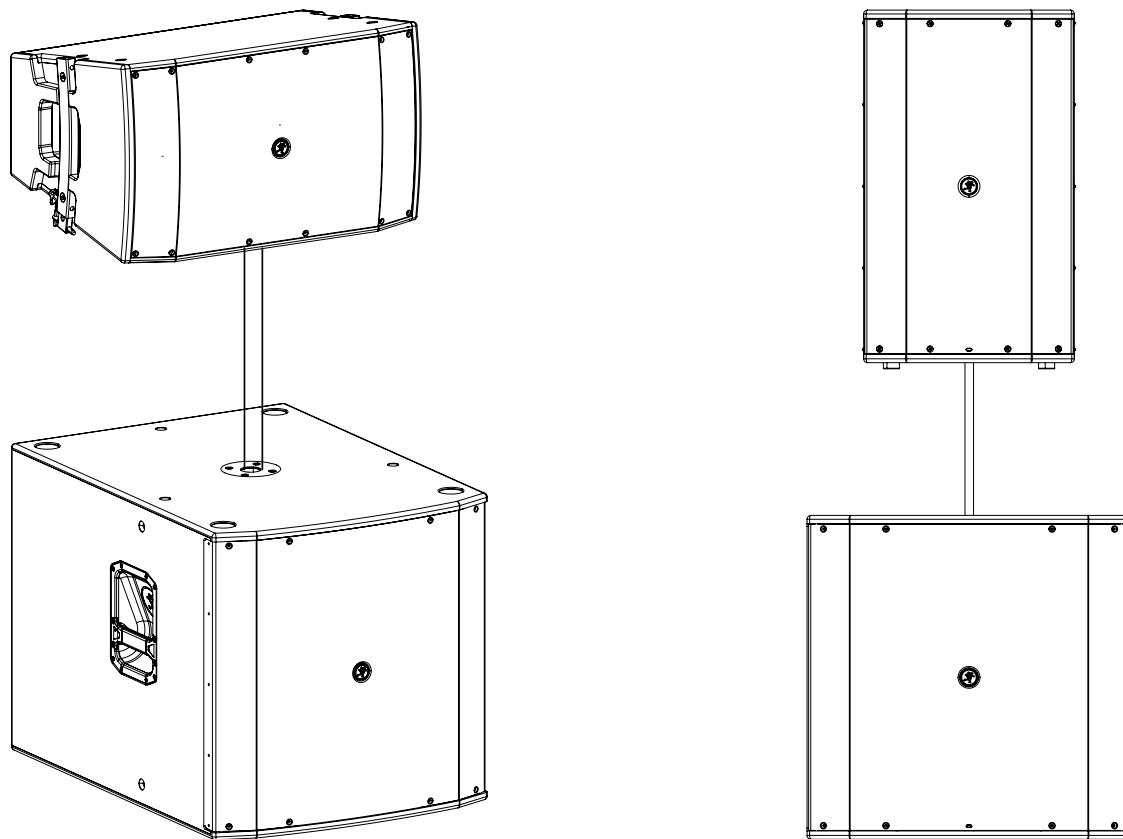
DRM18S FREQUENCY GRAPH

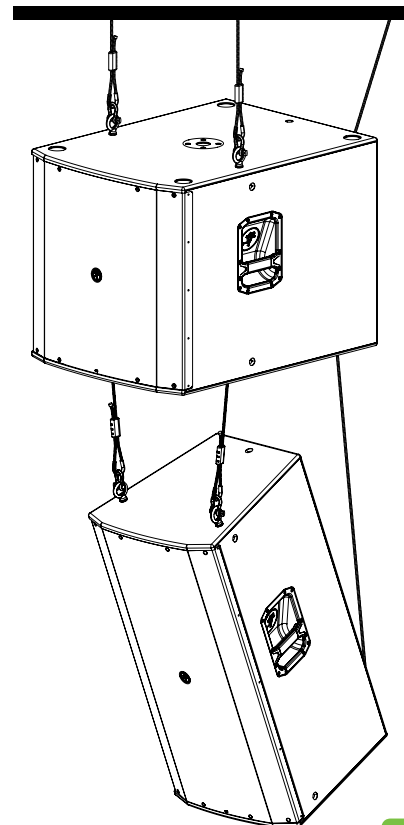
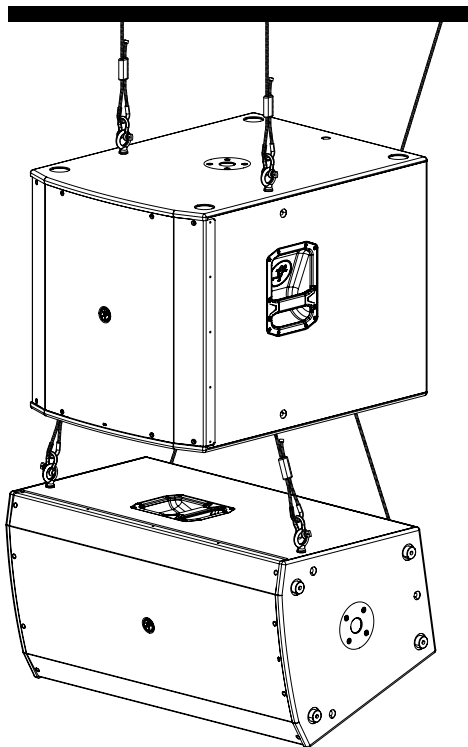
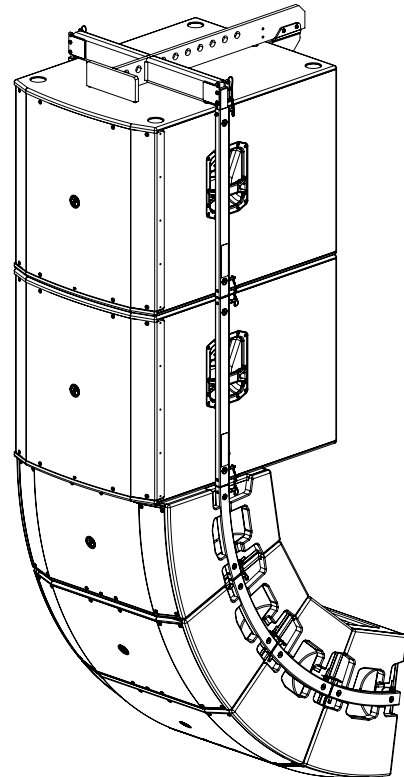
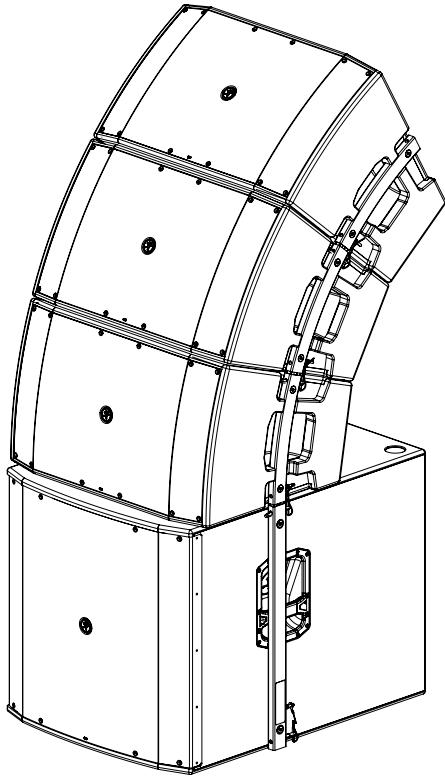


DRM18S MOUNTING POINTS

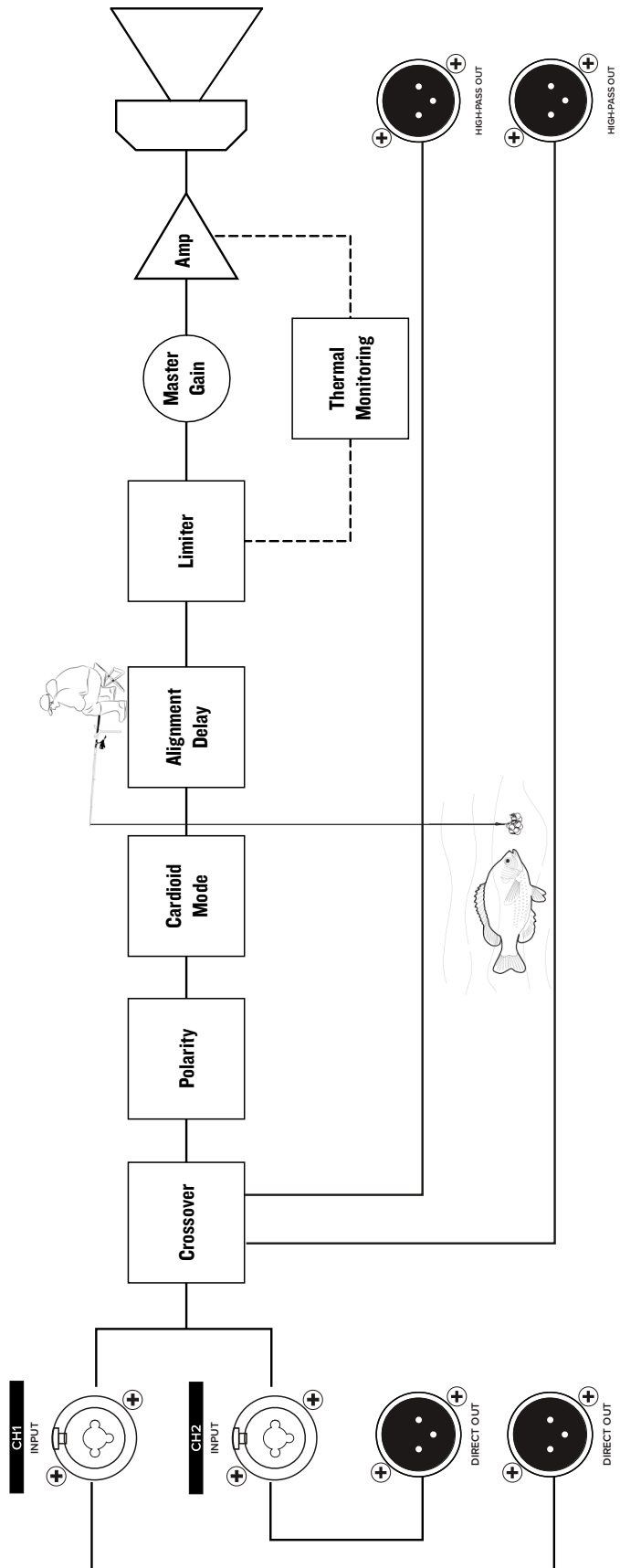


DRM18S RIGGING POSSIBILITIES

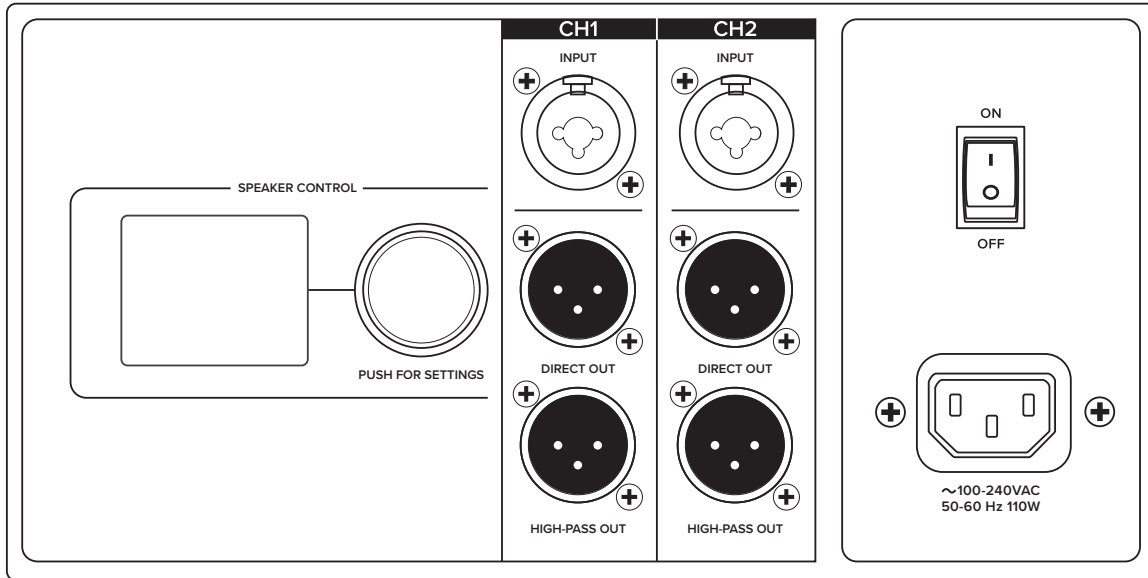


DRM18S RIGGING POSSIBILITIES

DRM18S BLOCK DIAGRAM



DRM18S REAR PANEL



LOUD Audio, LLC. is always striving to improve our products by incorporating new and improved materials, components, and manufacturing methods. Therefore, we reserve the right to change these specifications at any time without notice.

“Mackie” and the “Running Man” figure are registered trademarks of LOUD Audio, LLC. All other brands mentioned are trademarks or registered trademarks of their respective holders, and are hereby acknowledged.

©2019 LOUD Audio, LLC. All rights reserved.

Electronic files for this product are available at:
www.mackie.com

Specification Sheet	DRM18S_SS.PDF
Owner's Manual	DRM18S_OM.PDF



www.mackie.com
 16220 Wood-Red Road NE
 Woodinville, WA 98072 USA
 800-898-3211, Fax 425-487-4337

Part No. SW1275 Rev. B 06/19