

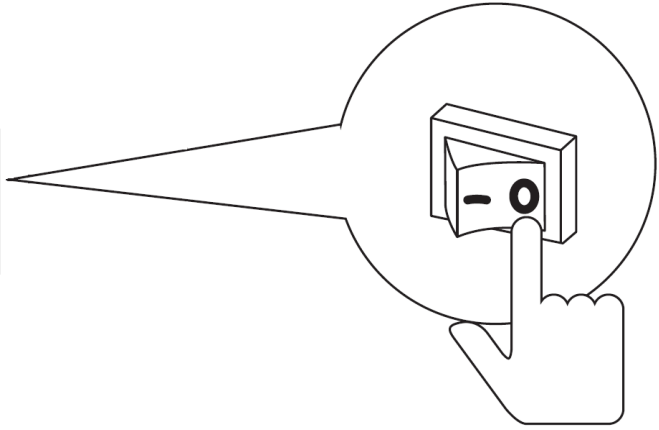
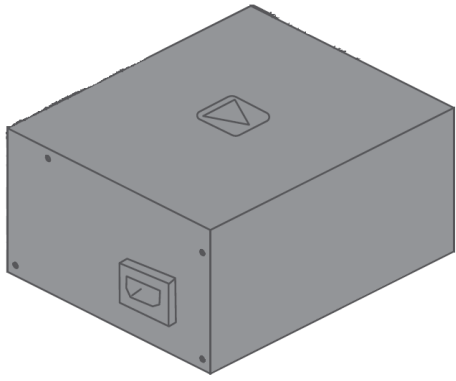
GAMDIAS

# ASTRAPE<sup>WHITE</sup> | M1-650W

80 Plus Certified 650W Power Supply

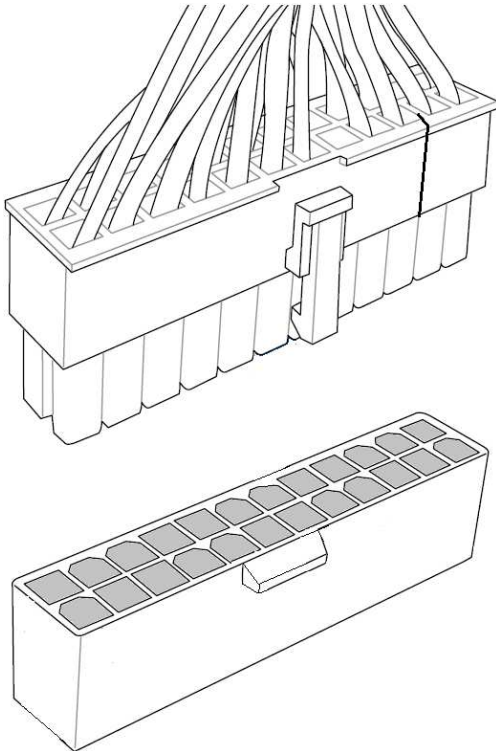


1

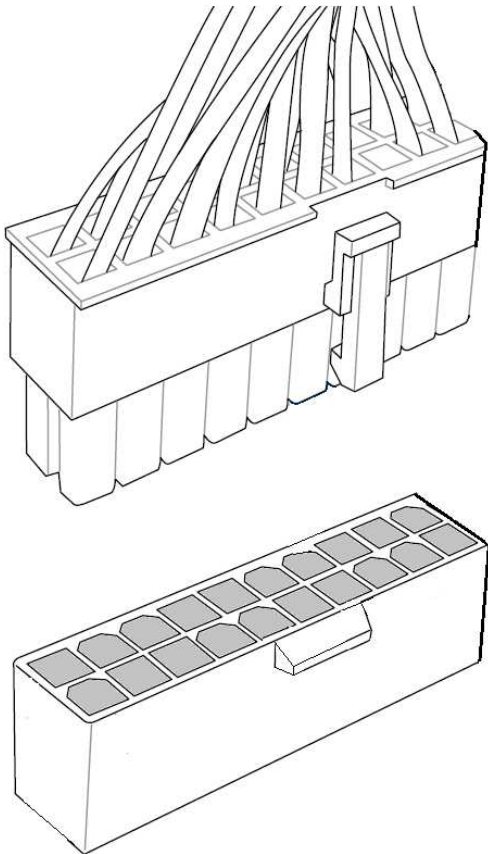


**2** Motherboard

20+4 Pin

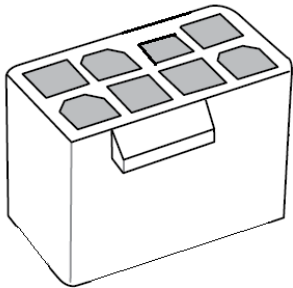
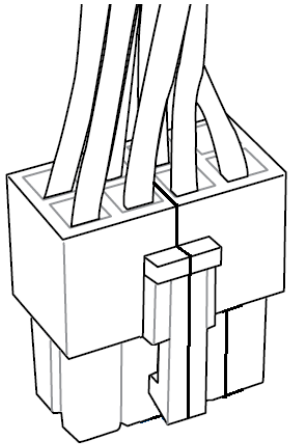


20 Pin

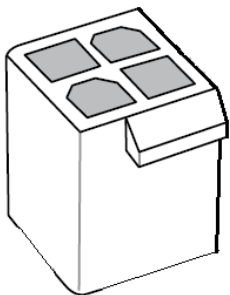
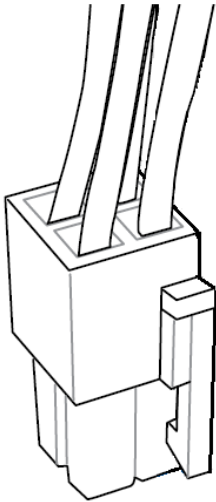


**3** CPU

4+4 Pin

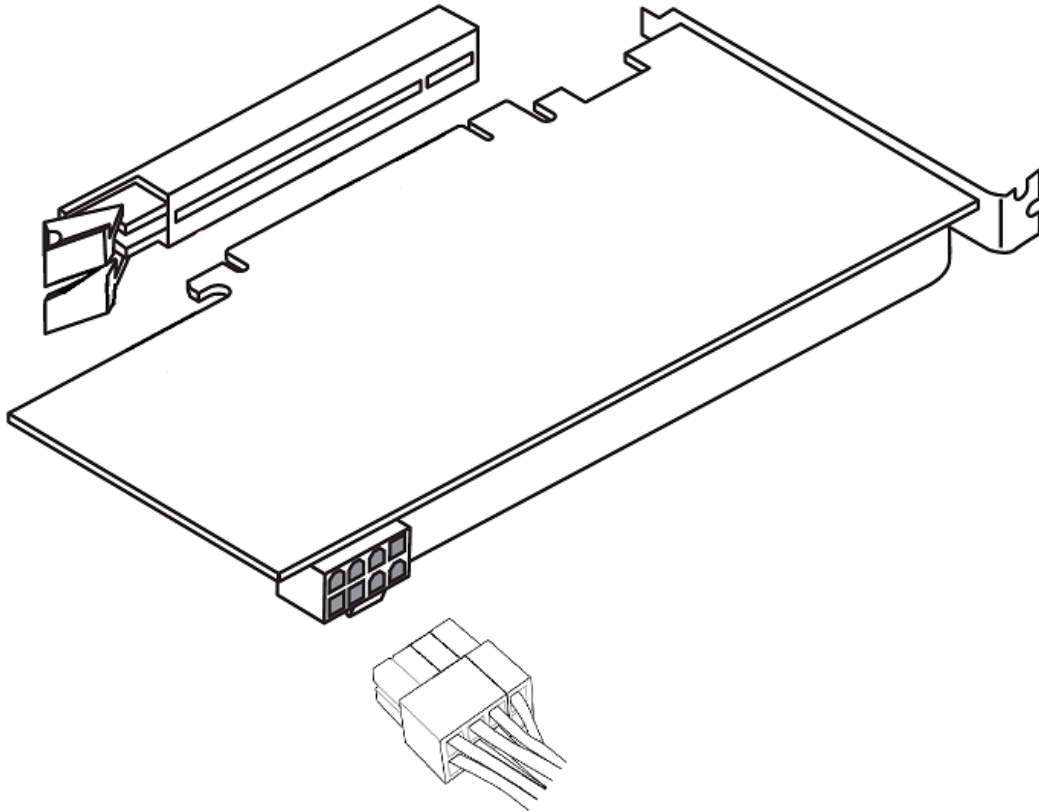


4 Pin

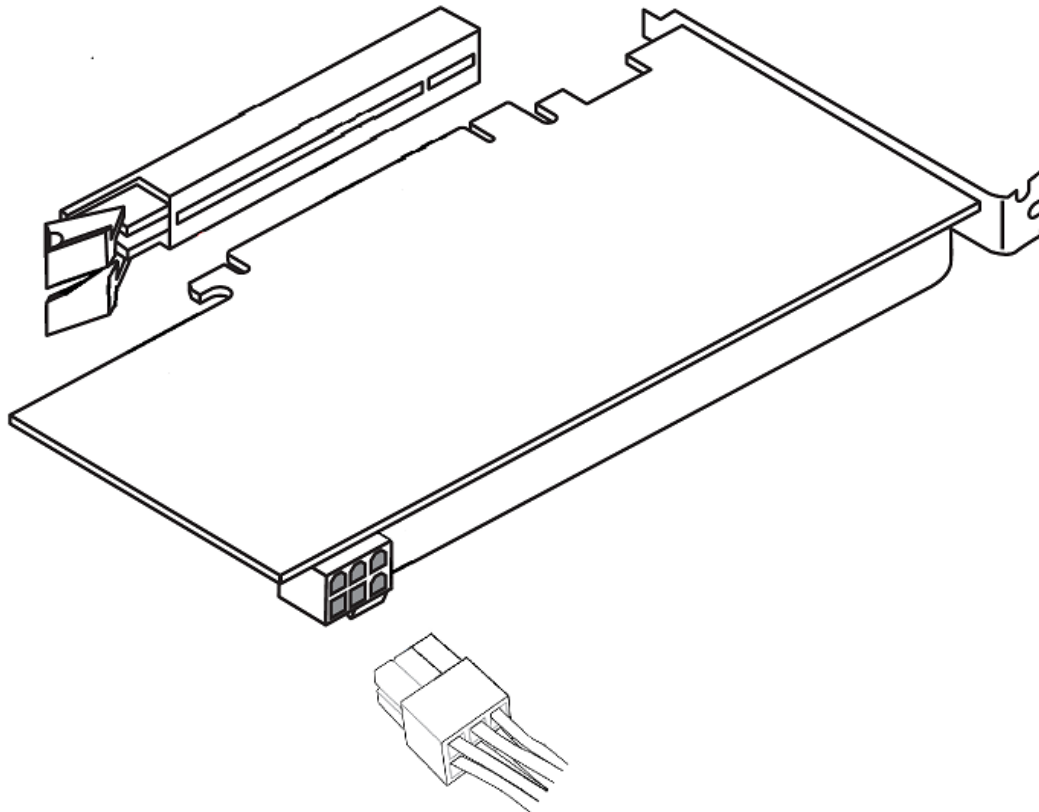


**4** PCI-E

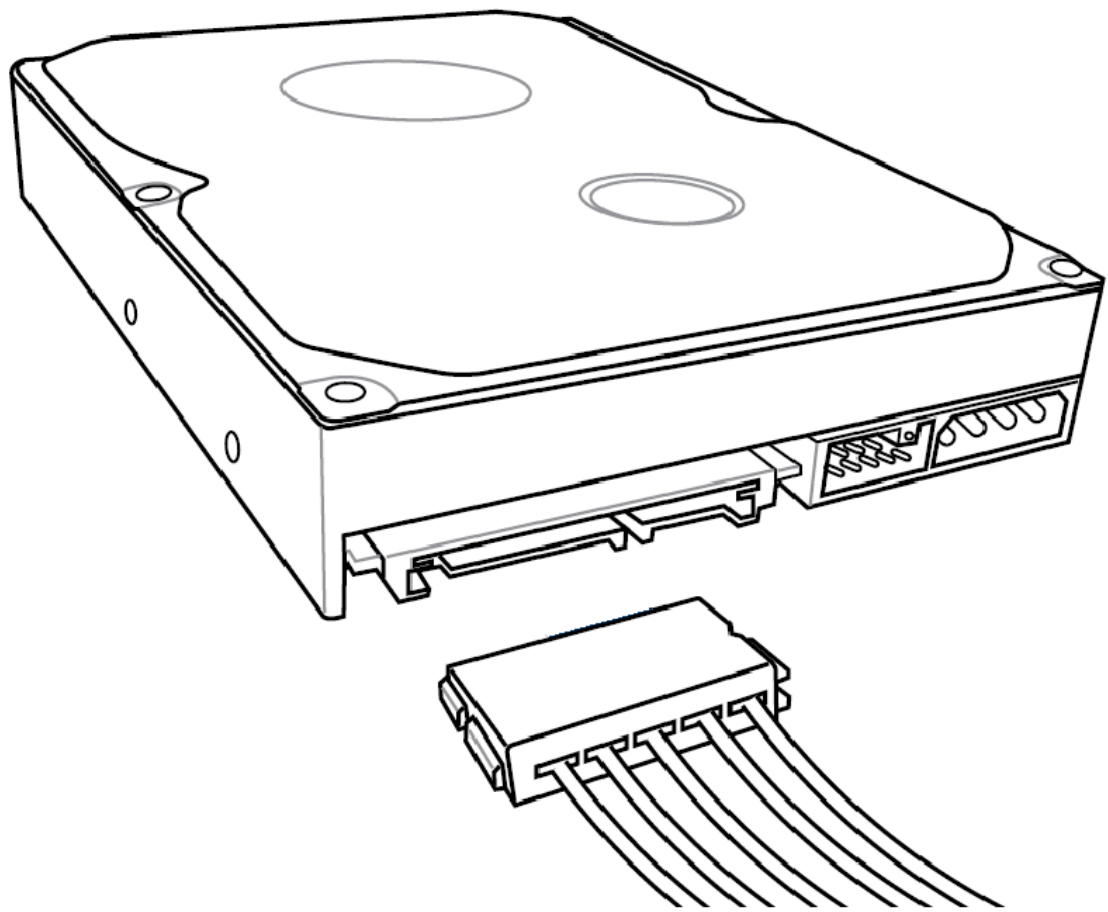
**6+2 Pin**



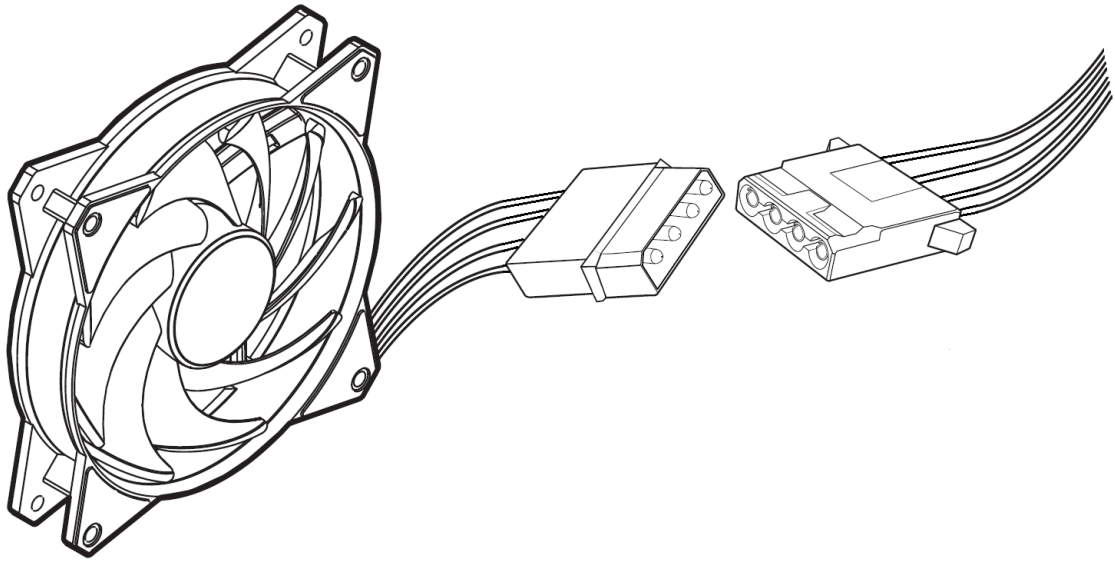
**6 Pin**



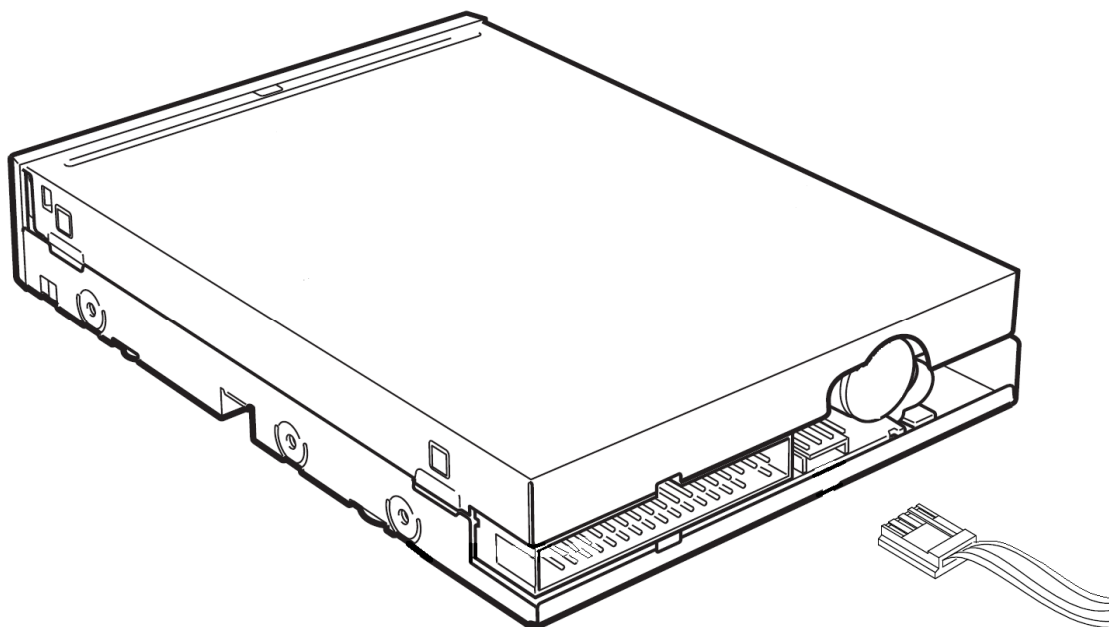
**5** SATA



**6** Peripheral (Molex)

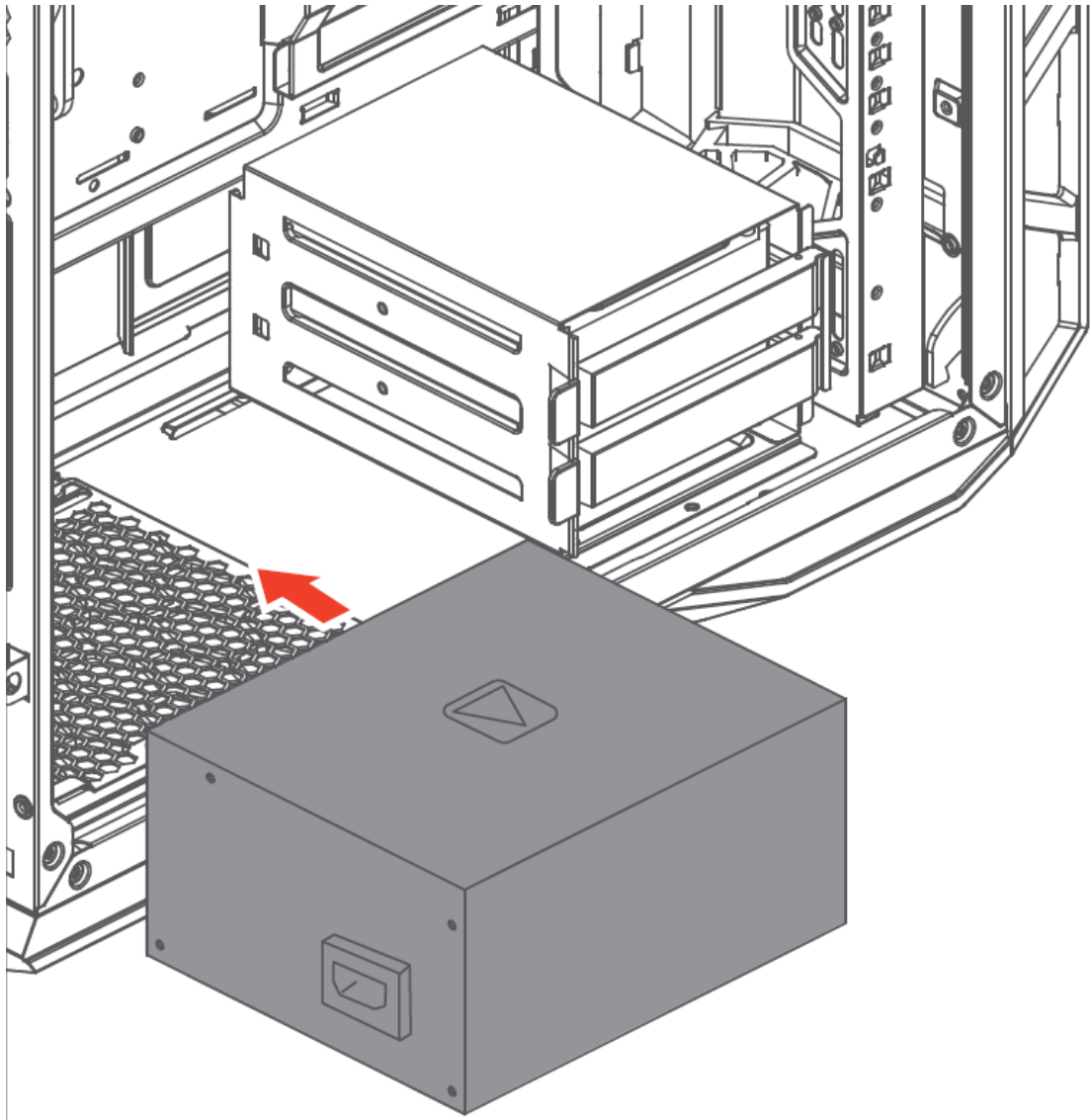


**7 Floppy**

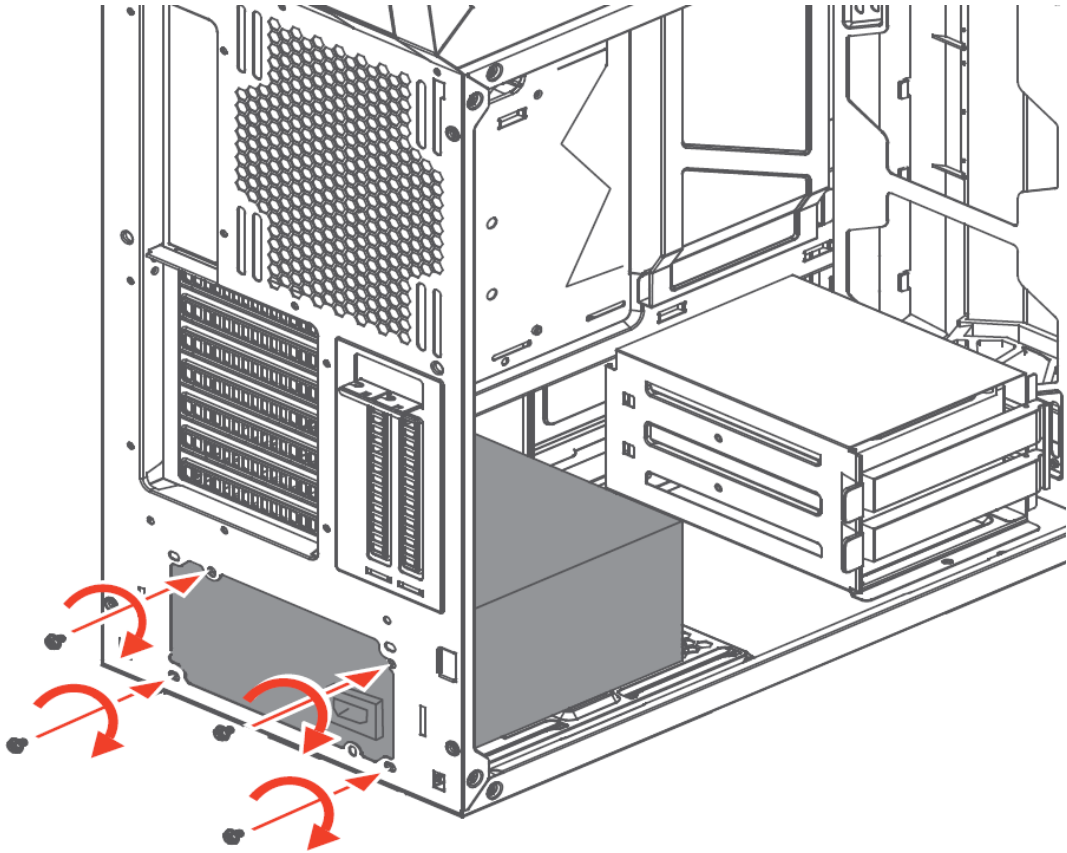




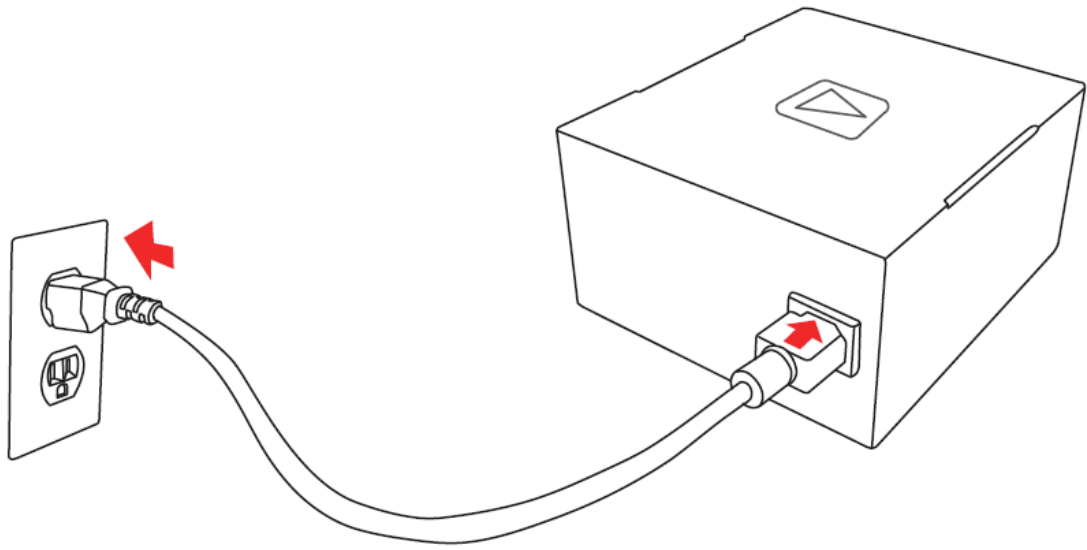
8



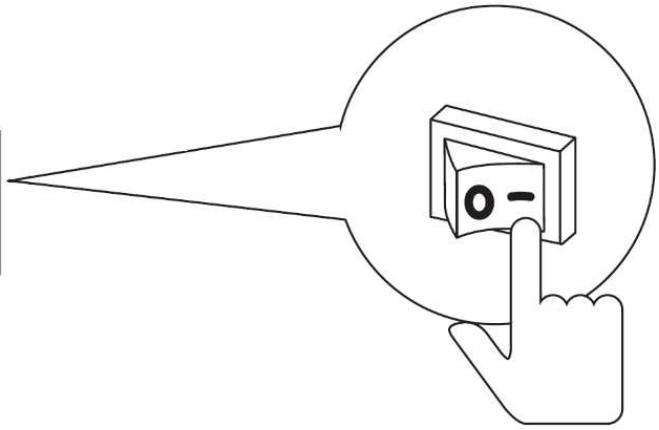
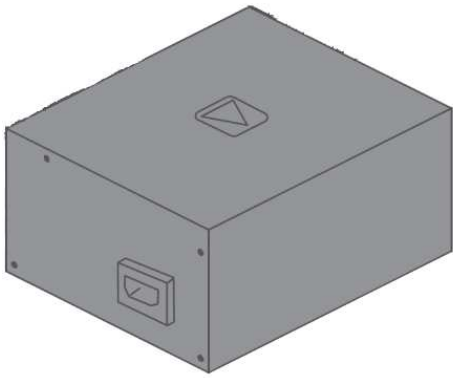
9



10



11



Product Warranty Policy	<a href="http://www.gamdias.com/warranty-en-gb">http://www.gamdias.com/warranty-en-gb</a>
Política de la garantía del producto	<a href="http://www.gamdias.com/warranty-en-gb">http://www.gamdias.com/warranty-en-gb</a>
Garantiebedingungen	<a href="http://www.gamdias.com/warranty-en-gb">http://www.gamdias.com/warranty-en-gb</a>
Política de garantía do produto	<a href="http://www.gamdias.com/warranty-en-gb">http://www.gamdias.com/warranty-en-gb</a>
Политика по гарантии продукции	<a href="http://www.gamdias.com/warranty-en-gb">http://www.gamdias.com/warranty-en-gb</a>
Qaurantie Limitée de Produit	<a href="http://www.gamdias.com/warranty-en-gb">http://www.gamdias.com/warranty-en-gb</a>
Condizioni di Garanzia del Prodotto	<a href="http://www.gamdias.com/warranty-en-gb">http://www.gamdias.com/warranty-en-gb</a>
Garantipolicy	<a href="http://www.gamdias.com/warranty-en-gb">http://www.gamdias.com/warranty-en-gb</a>
Termes de Garantie	<a href="http://www.gamdias.com/warranty-en-gb">http://www.gamdias.com/warranty-en-gb</a>
Warunki Gwarancji	<a href="http://www.gamdias.com/warranty-en-gb">http://www.gamdias.com/warranty-en-gb</a>
شروط ضمان منتجات	<a href="http://www.gamdias.com/warranty-en-gb">http://www.gamdias.com/warranty-en-gb</a>