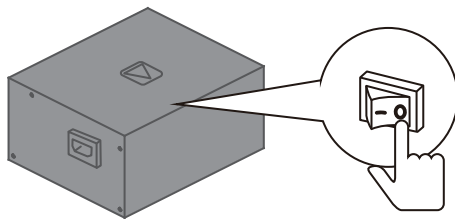


# QUICK INSTALLATION GUIDE



GAMDIAS  
**KRATOS** BRONZE | M1-750W  
Addressable RGB 750W Power Supply

# Step 01.



## English

- ◆ Make sure that your system is turned off and unplugged.

## Français

- ◆ Assurez-vous que le système est éteint et débranché.

## Русский

- ◆ Убедитесь, что система выключена и отключена от электросети.

## Deutsch

- ◆ Stellen Sie sicher, dass Ihr System ausgeschaltet und alle Stromkabel gezogen sind.

## 日本語

- ◆ システムがオフになっており、プラグを抜いていることを確認してください。

## 繁體中文

- ◆ 請確定系統已關閉且已斷電。

## Español

- ◆ Asegúrese de que el sistema está apagado y desenchufado.

## Italiano

- ◆ verificare che il sistema sia spento e scollegato.

## Português

- ◆ Certifique-se que o seu sistema está desligado e sem corrente eléctrica.

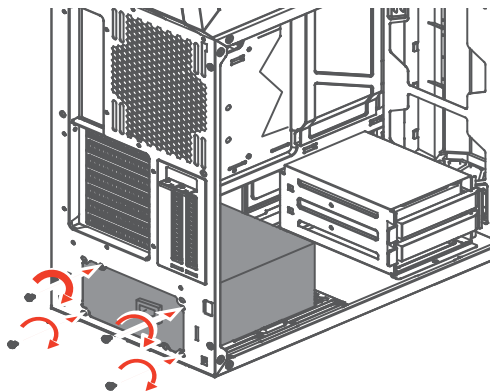
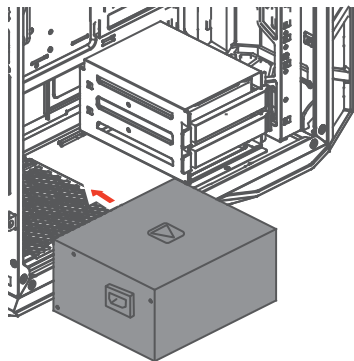
## Türk dili

- ◆ Sisteminizin kapalı olduğundan ve fişinin takılı olmadığından emin olun.

## 简体中文

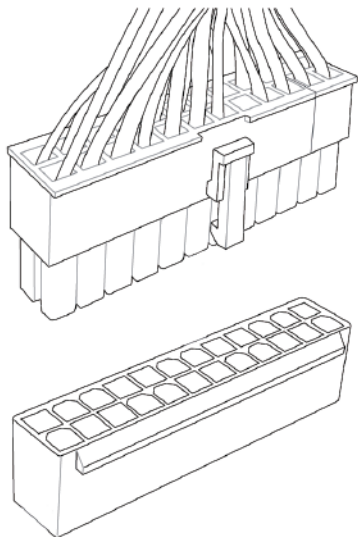
- ◆ 请确保系统已关闭，并已拔出插头。

# Step 02.

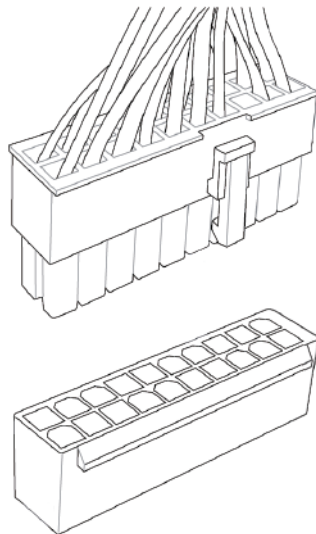


# Step 03. Motherboard

**20+4 Pin**

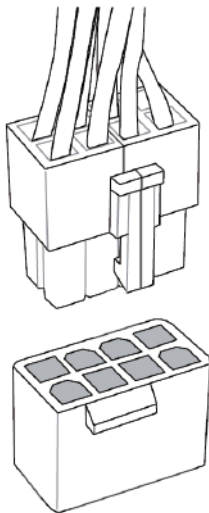


**20 Pin**

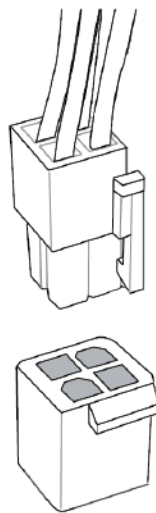


# Step 04. CPU

**4+4 Pin**

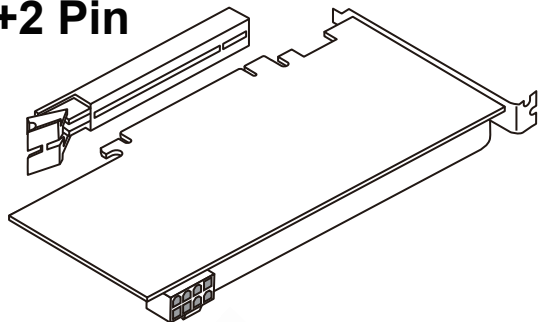


**4 Pin**

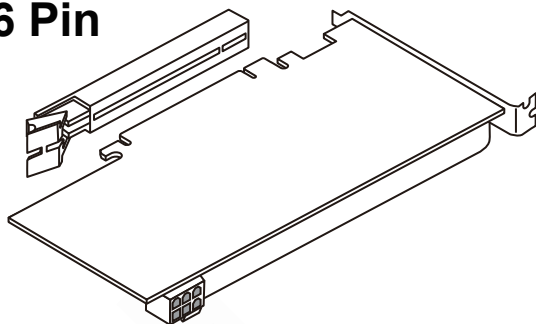


# Step 05. PCIE

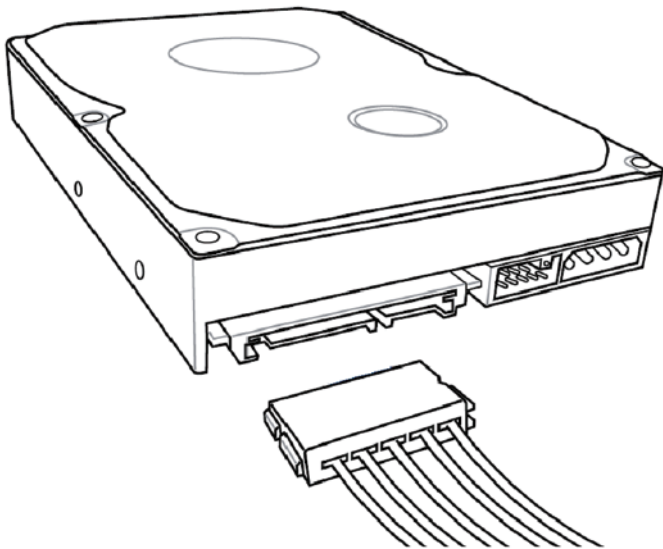
**6+2 Pin**



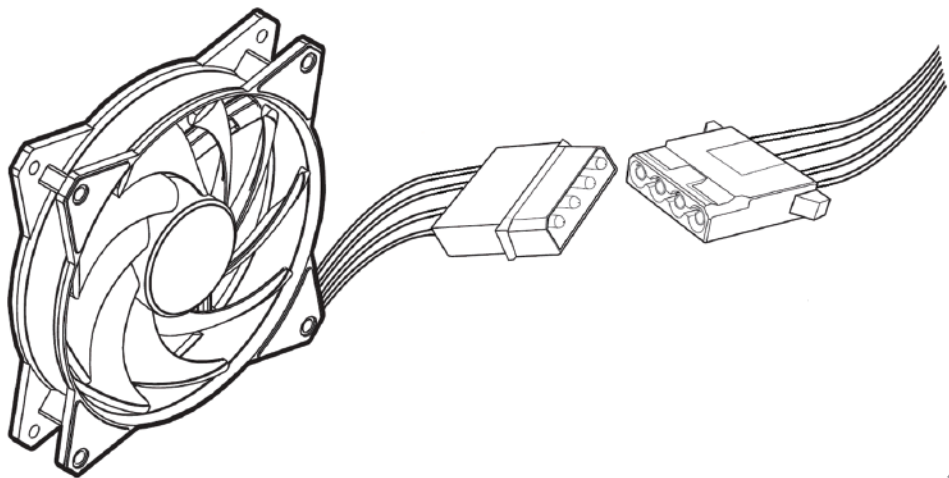
**6 Pin**



# Step 06. SATA

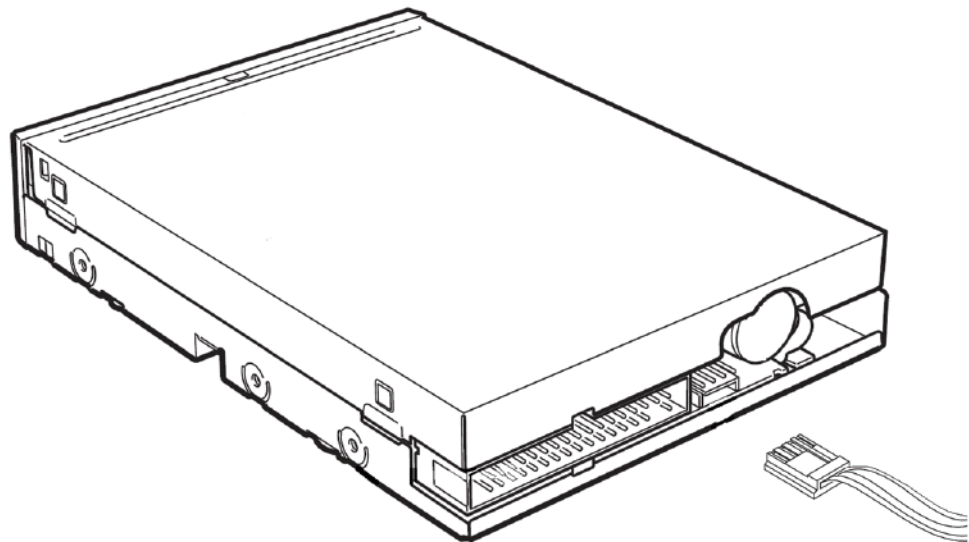


# Step 07. Molex



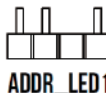
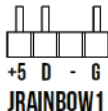
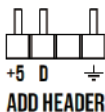


# Step 08. FDD

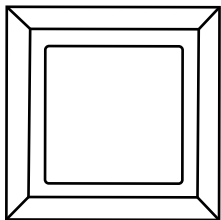


# Step 09.

If your motherboard has 5V 3-Pin addressable (digital) LED header, you can customize RGB lighting via motherboard manufacture sync software



# Step 10. RGB Lighting



RGB Lighting

3 Sec



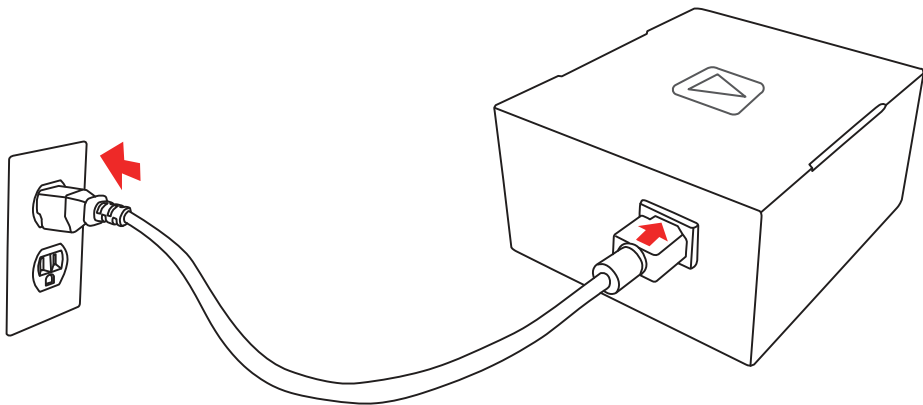
MB  
SYNC



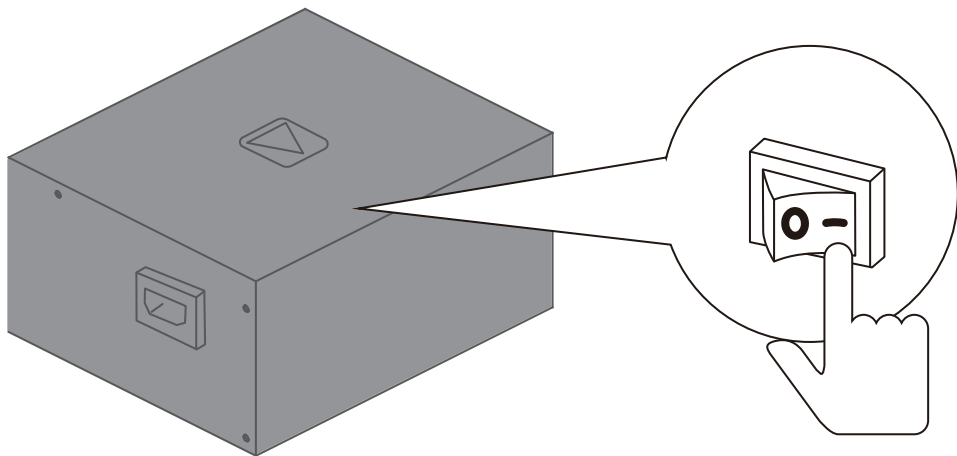
Built-in  
Effects

Easily switch to motherboard manufacture sync software or built-in 30 lighting effects by long pressing button for 3 seconds.

# Step 11.



# Step 12.



# Step 13. Product Warranty Policy

---

<http://www.gamdias.com/warranty-en-gb>



**GAMDIA**

GAMING ART IN MOTION