

HE360 | Professional STUDIO HEADPHONE

SAFETY PRECAUTIONS

CAUTION:

- * Ignoring these cautions may cause moderate injury or property damage as a result of incorrect operation.
- * Never use the headphones while driving a car, riding a motorcycle or bicycle or operating any other vehicle.
- * Do not disassemble, modify or attempt to repair the headphones.
- * The cable may become caught or severed if product is placed in a bag or pocket without adequate protection.

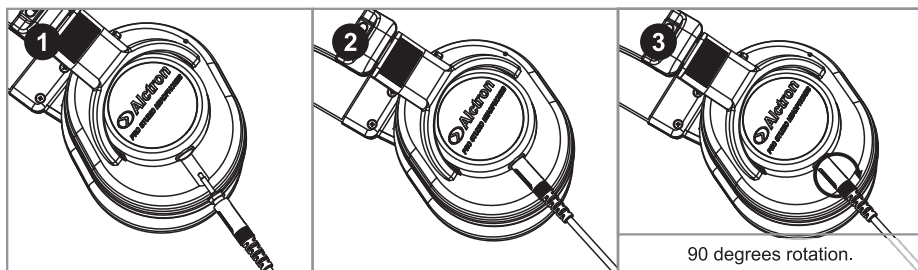
WARNING:

- * Ignoring these warnings may cause severe injury or death as a result of incorrect operation.
- * Do not store the headphone under direct sunlight, near heating devices or in a hot, humid or dusty place. Do not allow the headphones to get wet.
- * Listening to audio at excessive volumes can cause permanent hearing damage. Use as low a volume as possible.
- * Connect/disconnect the cable by holding the plug. Pulling directly on the cable can result in a broken wire and the risk of electric shock.
- * Do not subject the headphones to strong impact.

GENERAL INTRODUCTION

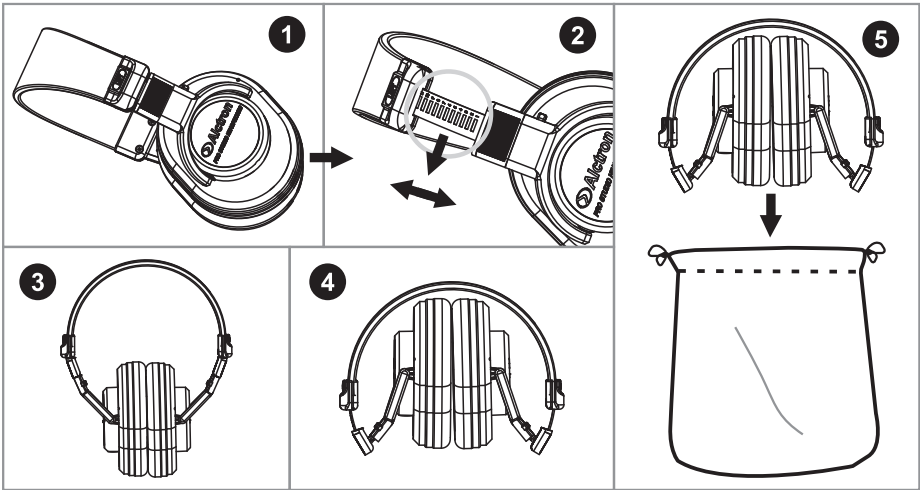
HE360 is a closed design of professional monitoring headphones. Closed-ear design gives a tight respond, practically eliminates external noise, and snuggles over the ear for hours of comfort. HE360 adopt foldable design, it is easy for you to carry and storage. The activity part made of high quality steel, sturdy and durable. The flexible part with degree, both sides can adjust the distance accurately. Premium 40mm drivers reproduce every musical nuance from low to high. The cable is removable, when the cable is broken, you just need to change the cable without change the headphone.

HOW TO USE THE HEADPHONE



Insert the plug into the headphone then 90 degrees rotation.

STORAGE



FEATURES

- *Professional monitoring headphone
- *Closed-ear design and snuggles over the ears
- *Premium 40mm drive lead in a high quality sound
- *Neodymium used for transmitting the high-definition bass and supper-transparent highs
- *Take the advantage of 16 μ m polymer membrane to offer widely frequency to the headphone
- *With single-sided coiled cord with oxygen-free copper wires, provide the max conductivity
- *3m cable gives user more space to move
- *The foldable design, when closing the headphone, tight the earflap to prevent sound releasing

TECHNICAL SPECIFICATIONS

Transducer Type: Dynamic, Neodymium Magnet
Transducer Size: 40mm
Impedance: 32 $\Omega \pm 15\%$ At 1kHz , input : 0.179vrms
Sound Pressure Level: 115 \pm 3db(0db=20 μ pa) At 1kHz , input:0.179vrms
Frequency Response Curve: 10-20000hz
Sensitivity: 95db Spl/mw (at 1 KHz)
Max Output Power: 20mw
Max Input Power: 500mw
Connector: Gold-plated 3.5 Mm (1/8") Stereo Mini Jack Plug With 6.35 Mm (1/4") Threaded Adapter
Cable: 3m, (9.8 Ft) Coiled, Detachable, Non-pvc, Oxygen-free Copper (ofc)

Copyright © Ningbo Yinzhou Alctron Electronics Co.,Ltd. All rights reserved. Specifications and appearance subject to change without notice.

ALCTRON ELECTRONICS CO.,LTD

No.76 SanCheng Road, XiuFeng Industrial Area,GaoQiao Town, NingBo China.

Tel:++86 574 87150672 Fax:++86 574 87157176 E-mail:info@alctron-audio.com

www.alctron-audio.com

HE360监听耳机

安全事项

注意

- * 如果没有遵循这些注意事项，在操作不正确的情况下可能会导致常见的人身伤害或财产损失。
- * 在驾驶汽车、骑摩托车或者自行车或者操作任何其他机动车时，切勿使用耳机。
- * 请勿拆卸或者改装耳机。
- * 如果不加适当保护便将本产品放在提包或者口袋中，线缆可能会缠住或折断。

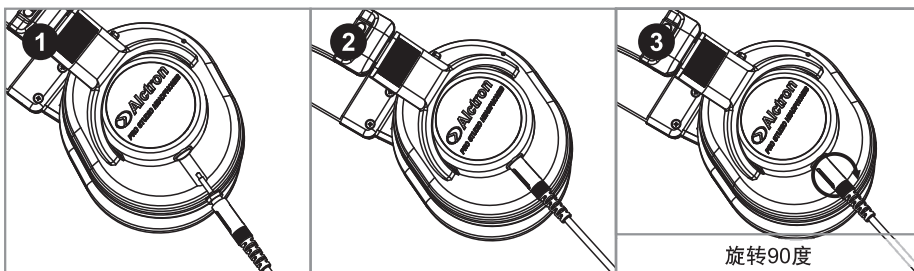
警告

- * 如果没有遵循这些警告事项，在操作不正确的情况下可能会导致严重的人身伤亡事故。
- * 不要将耳机存放在直射阳光下、暖气设备附近或湿热或多尘的地方。不要弄湿。
- * 收听过高音量可能会导致永久性失聪。应使用尽可能低的音量收听。
- * 请抓住插头插拔导线。直接拉扯导线可能导致电线损坏和触电危险。
- * 请勿使耳机受到强烈撞击。

产品介绍

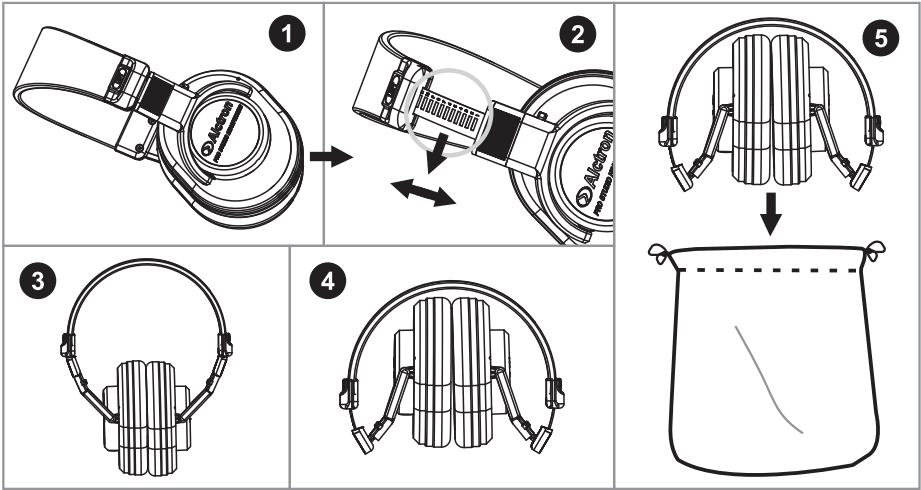
HE360是一款采用封闭式设计的专业监听耳机。大耳罩封闭式设计，佩戴舒适、可以有效地防止外界声音进入耳道，防止外界声音干扰，戴上耳机后，声音几乎不会外泄。HE360采用可折叠设计，方便携带和收纳。活动部位采用优质钢材打造，坚固耐用，耳机伸缩部位带有刻度，使得两边距离调整精准、一目了然。耳机采用了40mm发声单元，声场开阔，声音清晰，层次分明，低频的下潜深度和力度令人满意，弹性很好，中高频表现自然，中频饱满，高频通透，解析度高。可拆卸线缆设计方便携带，在线缆出现问题的情况下可以不用更换耳机，只换线缆，节约成本。

使用方法



将插头插进耳机孔然后旋转90度。

存放方法



产品特征

- *专业监听耳机
- *佩戴舒适、头戴式设计，耳罩完全覆盖耳廓。
- *40mm驱动单元确保了高质量的声音
- *钕磁用于传送重低音和清晰的高音
- *利用由16 μ m高分子膜片给耳机提供很宽的频率范围
- *耳机采用无氧铜铰合线，可以提供最大的传导性
- *3m耳机线使佩戴者有更大的活动空间
- *可折叠设计，自关闭机械结构防止了当耳机关闭时声音泄漏

产品参数

- *传感器类型：钕磁铁动圈
- *传感器尺寸：40 mm
- *阻抗：32 Ohms \pm 15% (at 1kHz, 输入：0.179Vrms)
- *声压级：115 \pm 3dB(0dB=20 μ Pa) at 1kHz, 输入：0.179Vrms
- *频率范围：10-20000hz
- *灵敏度：95dB SPL/mW
- *最大输出功率：20mw
- *最大输入功率：500 mW
- *接头插头：镀金 3.5 毫米 (1/8 英寸) 立体声迷你插头和6.35 毫米 (1/4 英寸)
- *线缆：3 米, (9.8 英尺) 线圈, 可拆卸, 非 PVC, 无氧铜 (OFC)

版权所有©宁波市鄞州奥创电子有限公司,所有权保留。必要的技术数据和外观更改恕不另行通知。