

HE820 Semi-open Bluetooth monitoring headphone

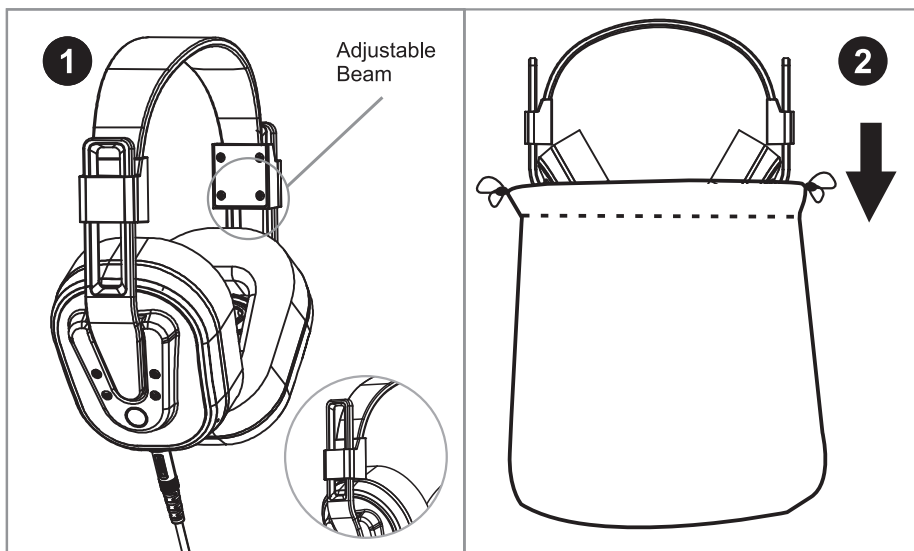
GENERAL DESCRIPTION

HE820 is a semi-open monitor Bluetooth headphone. Semi-open ear design gives a tight respond, practically reduce external noise effectively. 50mm dual drivers feature widely sound, clearly sound from mid to high and accurate sound restore. The headphone beam is adjustable, according to your own willing to slide the beam to the appropriate location until the earmuff fit your ears. Alloy and plastic which make the whole style classic and fashion.

FEATURE

- * Semi-open monitor Bluetooth headphone;
- * Widely sound, clearly sound from mid to high and accurate sound restore;
- * The adjustable headphone beam;
- * Alloy and plastic material.

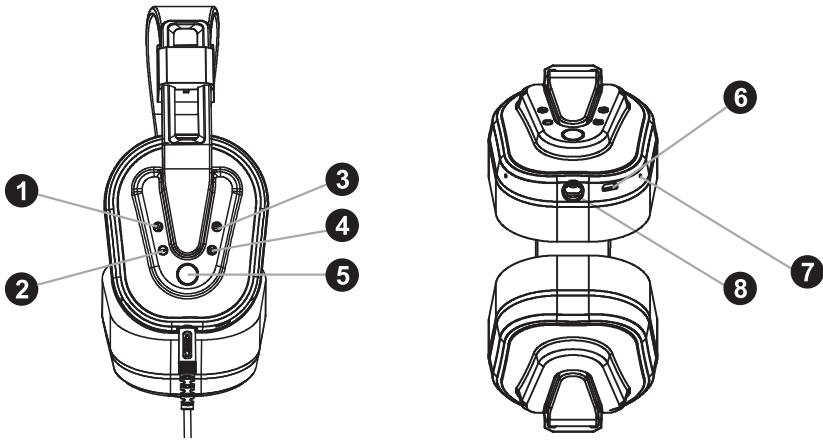
STORAGE



Adjust the slider as required to the appropriate location, until the earmuffs fit your ears, making you feel most comfortable.

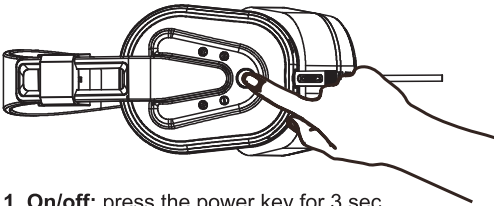
The headphone can be folded in the storage bag for protection with less space usage and easy to carry.

FUNCTION INTRODUCTION

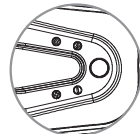
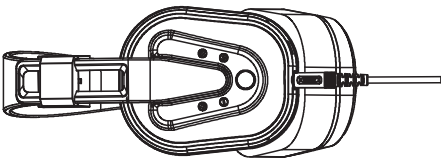


1. +: increase volume as required.
2. -: decrease volume as required.
3. > : enter the next song.
4. < : enter the previous song.
5. On/off is used to realized many functions, such as, pause/play music, answer/ hang up the phone, indicator change warning and so on.
6. USB jack, the headphone is charged through usb port, and the charging process takes about 4 hours.
7. Mic: voice hole, used for answer the phone.
8. 2.5mm audio port.

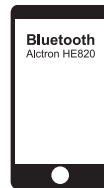
BLUETOOTH MODE



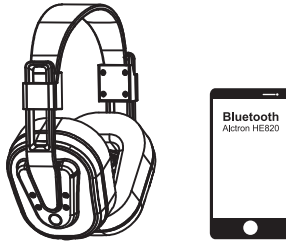
1. **On/off:** press the power key for 3 sec.



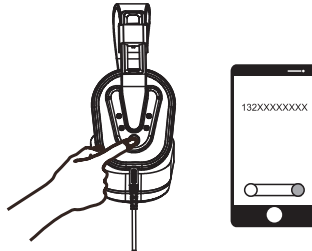
Green light and red light flashing quickly.



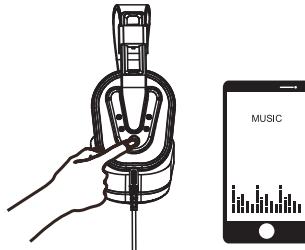
2. **Pairing for the first time:** in shutdown state, pressing the power key for 1 sec to alternately when appears green light and red light flashing quickly. At the moment, Bluetooth of the headphone is enable for paring. Open the mobile phone's Bluetooth to search "Alctron HE820", click on the Bluetooth pairing and hear ticking sound, at the same time, the indicator green light flashes slowly, which means that phone and headphone pairing process has been completed.



3. Automatic connection: make sure that the Bluetooth function on the mobile phone is enabled, the headphone will be automatically connected after it is turned on.

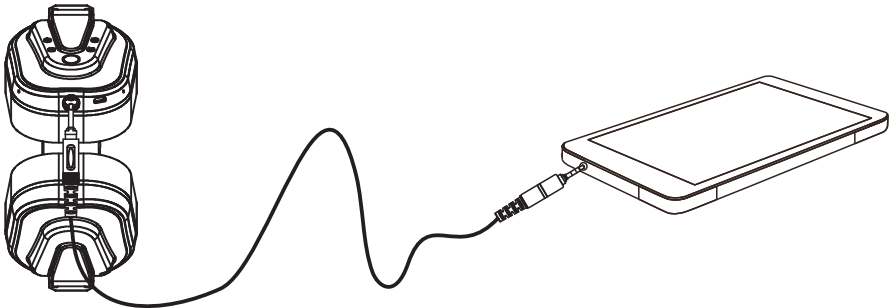


4. Receiving calls: when there is an incoming call, please click the power key for voice call, click the power key again to hang up, then automatically restore the current music playing.



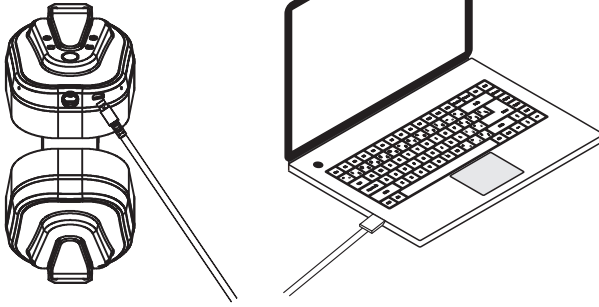
5. Pause/play: in the music playing mode, short press the power key to pause, short press the power key to restore music play again.

WIRE MODE



Insert the audio cable straightly to 2.5mm jack of the right earmuff on the headphone and insert 90 degree plug end to the audio output device you want to use, thus Bluetooth will automatically close, use cable connection mode

CHARGING



The headphone is charged through USB port, low energy: red light shining; Charging: red light the headphone is being charged; red light turn off-charging is complete. With built-in lithium polymer batteries, it can be fully charged for about 4 hours and normal music playing time is about 20 hours.

CAUTION

*To clean the headphones, use a soft damp cloth. If necessary, the headphones can be cleaned with soapy water (use a mild cleanser such as washing-up liquid). Note: Do not use solvent-containing cleansers;

*Avoid using headphones at high volume. Hearing experts advise against continuous, loud and extended play.

If you experience a ringing in your ears, reduce the volume or discontinue use;

*This product effectively shields external sound, so you may not hear sound around you clearly while wearing the headphones. Adjust the volume to a level where you can still hear background sound and constantly check safety around you while listening to music;

* If you feel sick while using the headphones, stop use immediately;

* In particularly dry air conditions, noise or sound skipping may occur, or mild tingling may be felt on your ears. This is a result of static electricity accumulated in the body, and not a malfunction of the headphones. The effect can be minimized by wearing clothes made from natural materials.

TECHNICAL SPECIFICATIONS

* Driver: 50mm neodymium
* Sensitivity: 98dB
* Frequency response: 20hz-20khz
* Max power: 300mw
* Rated impedance: 32Ω

Bluetooth

* Bluetooth: 4.0
* Transmission distance: 10m
* Frequency band: 2.4Ghz
* Audio performance: Stereo

Microphone

* Type: electrets condenser
* Polar pattern: Omni
* Sensitivity: -34dB±3dB

Battery

* Power: DV 3.7V charging lithium battery (USB DC 5V charging)
* Using time: about 20 hours

Copyright © Ningbo Alctron Electronics Technology CO.,LTD. All rights reserved. Specifications and appearance subject to change without notice.

Ningbo Alctron Electronics Technology CO.,LTD.
No.76 SanCheng Road, XiuFeng Industrial Area,GaoQiao Town, NingBo, China.
Tel:+0086 574 87150672
Fax:+86 574 87157176
E-mail:info@alctron-audio.com
www.alctron-audio.com

HE820半封闭式蓝牙监听耳机

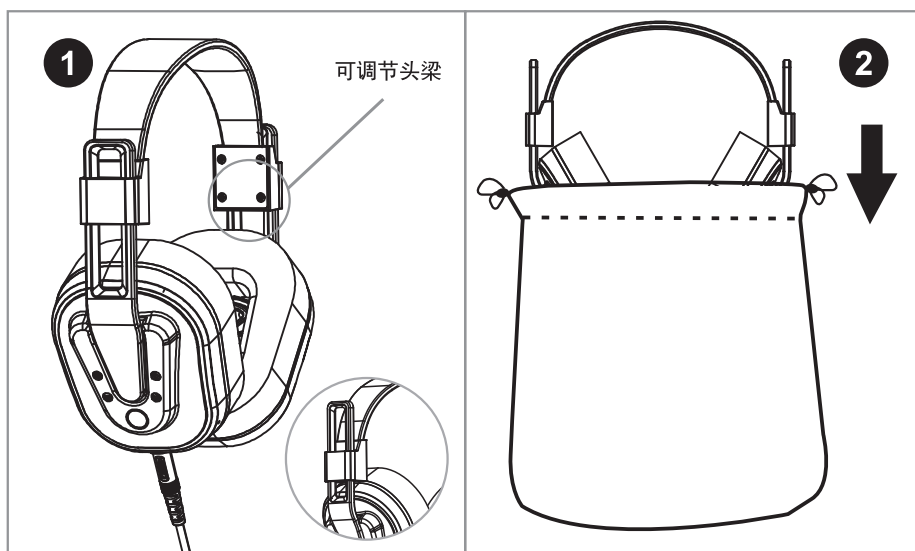
产品介绍

HE820是一款半封闭的蓝牙监听耳机。大耳罩护耳式设计，佩戴舒适、可以有效减小外界声音进入耳道，降低外界声音干扰。2个50mm的驱动器，使您能监听到宽广的音域、清晰透彻的中高音、精准的声音还原。可调节的耳机头梁，您可以根据自己的情况轻松自如的调节头梁高度，直到耳罩更加贴合您的耳朵。铝和塑料的结合使得耳机造型经典时尚。

产品介绍

- * 半封闭的蓝牙监听耳机；
- * 宽广的音域、清晰透彻的中高音、精准的声音还原；
- * 可调节的耳机头梁；
- * 铝和塑料材质。

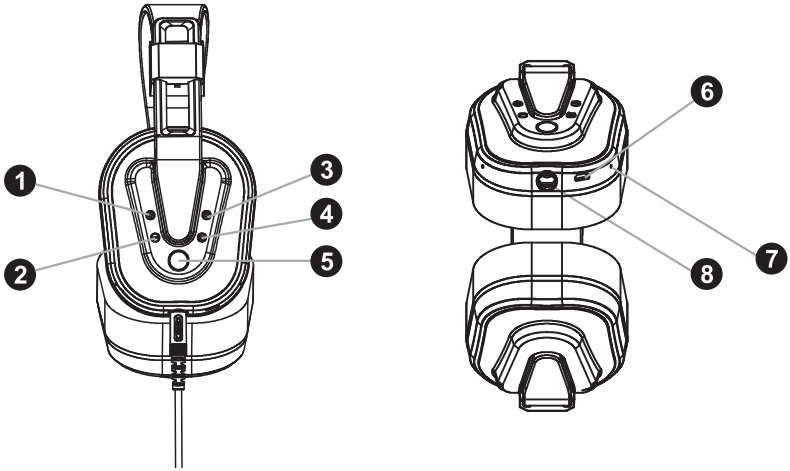
存放方法



根据您的需求调整滑动块到适当的位置，直到耳罩贴合您的耳朵，使您感到舒适。

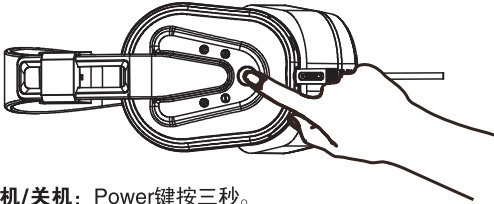
闲置时可将耳机折叠好收入收纳袋，占用空间小且外出携带方便。

功能介绍

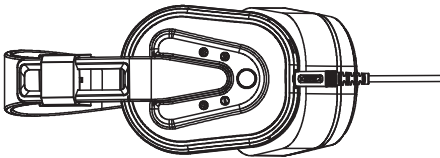


1. +: 根据您的需要增加音量。
2. -: 根据您的需要减小音量。
3. >: 进入下一曲目。
4. <: 进入上一曲目。
5. 开/关机可实现暂停/播放; 接听/挂断电话; 指示灯变化提示等功能。
6. USB孔, 通过USB端口给耳机充电, 充电过程大约需4小时。
7. Mic: 语音孔, 用于接听电话。
8. 2.5mm音频接口。

蓝牙模式



1. 开机/关机: Power键按三秒。



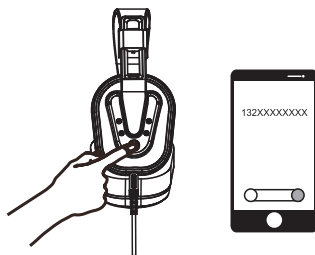
绿灯和红灯交替快速闪烁



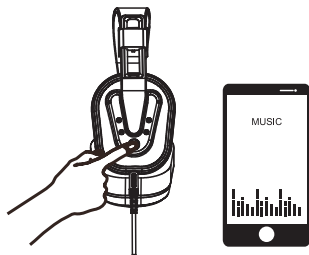
2. 首次配对: 在关机的状态下Power键按一秒出现绿灯和红灯交替快速闪烁, 此时耳机已处于开启蓝牙状态等待匹配工作, 然后打开手机蓝牙进行搜索“Alctron HE820”点击蓝牙配对听到耳机“嘀”声同时绿灯指示灯出现慢闪, 说明耳机和手机配对过程已完成。



3. **自动连接：**确保手机上蓝牙功能已开启，当耳机开机后即可自动连接。

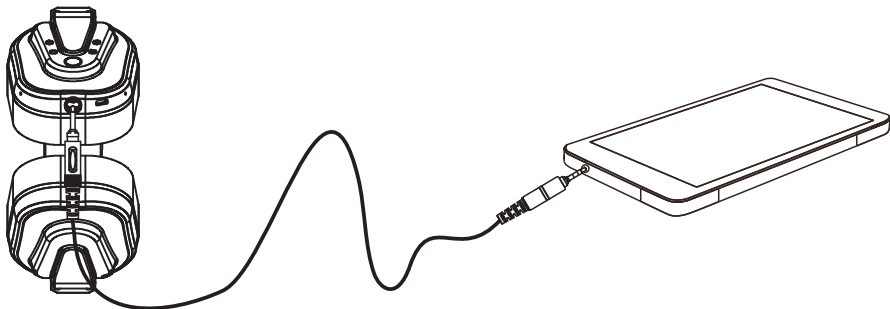


4. **接听电话：**当有电话呼入时，短按power按钮即可进行语音通话，再次短按power键则挂断当前通话，然后自动恢复当时的音乐播放。



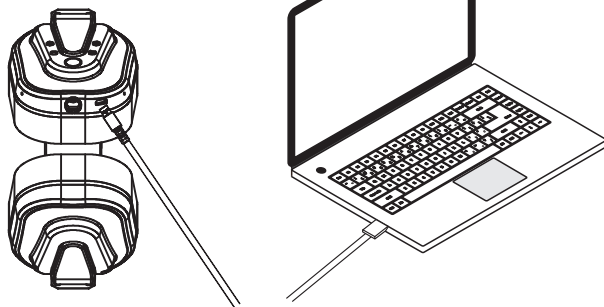
5. **暂停/播放：**在音乐播放下短按power按钮即可暂停，再次短按power按钮恢复音乐播放。

有线模式



将音频线插头插入耳机右耳套的2.5mm插孔中，并且将90°直角插头端插入您要使用的音频输出的设备中，便会自动关闭蓝牙，使用有线连接模式。

充电



通过USB端口给耳机充电，低电量：红灯闪烁；充电：红色长亮-耳机正在充电；红灯熄灭-耳机充电完毕。内置聚合物锂电池，充满电大约需要4小时，可正常播放音乐约20小时。

安全事项

- * 请使用柔软的湿布清洗耳机，如有需要，耳机可以用稀释的肥皂水清理（注意：请勿使用含有溶剂的清洁剂！）；
- * 避免以高音量使用耳机。听力专家建议不要进行连续、高音量和长时间播放。如果耳朵产生耳鸣，请降低音量或停止使用；
- * 本产品能有效地屏蔽外界声音，因此在戴上耳机时可能无法清晰听到周围的声音。请调节音量为同时能听到周围声音，并在听音乐时注意身边安全；
- * 如果您在使用耳机时感到不适，请立即停止使用；
- * 在特别干燥的空气条件下，可能会出现噪音或跳音，或耳朵可能会感到轻微刺痛。这是由于体内积聚的静电所致，并非耳机故障。穿着天然材料制成的衣服可以将此影响减到最小。

产品参数

- * 驱动器: 50mm, 钕磁铁
- * 灵敏度: 98dB
- * 频响: 20hz-20khz
- * 最大功率: 300mw
- * 额定阻抗: 32Ω
- 蓝牙**
- * 蓝牙版本: 4.0
- * 传输距离: 10m
- * 频带: 2.4Ghz
- * 声道: 立体声
- 麦克风**
- * 类型: 驻极体电容
- * 指向性: 圆型
- * 灵敏度: -34dB±3dB
- 电池**
- * 电源: DV 3.7V充电锂电池（USB DC 5V充电）
- * 使用时长: 约20小时

版权所有©宁波奥创电子科技有限公司,所有权保留。必要的技术数据和外观更改恕不另行通知。

宁波奥创电子科技有限公司

地址：浙江省宁波市海曙区秀丰工业区三成路76号

电话：+86 574 87150673

传真：0574-87157176

邮箱：sales@alctron-audio.com

网址：<http://www.alctron-audio.com>

全国统一服务热线：4000-160-112