

WST-650GB Guitar&Bass Tuner

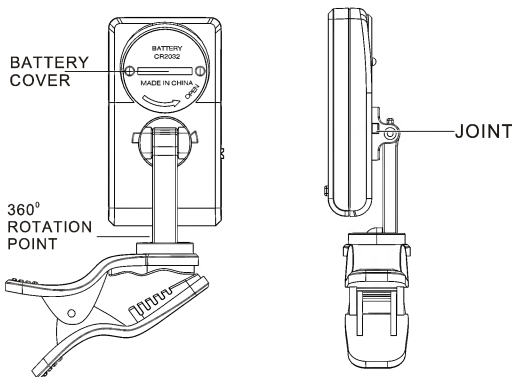
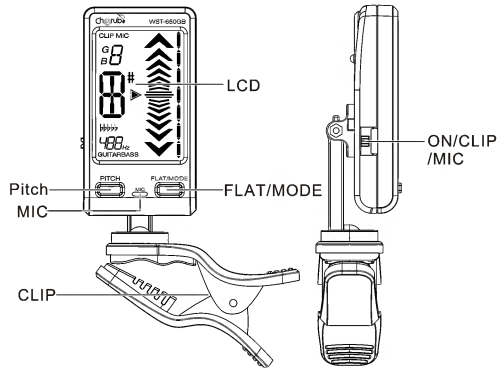
Owner's Manual

Thank you and congratulations on your purchase of the WST-650 GB. Using Cherub's proprietary tuning software, the WST-650GB tunes faster and more accurately than other tuners of its kind

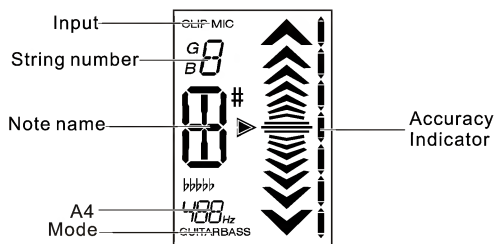
Product description

WST-650GB is a Guitar/Bass tuner; with a 30ms response time, steady detection and accurate tuning.

Product interface



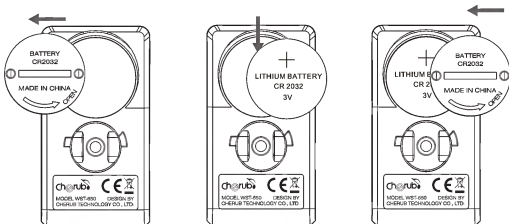
LCD INTERFACE



Flat	b, bb, bbb, bbbb, bbbbb	
Note name	Guitar	6E, 5A, 4D, 3G, 2B, 1E
	Bass	LB, 4E, 3A, 2D, 1G, HC
A4	410~490Hz	
LCD	Green	In tune
	Orange	Sharp, Flat
String number	Guitar	1, 2, 3, 4, , 6
	Bass	H, 1, 2, 3, 4, L
Meter	-50~0~+50, 7cents/segment	
Signal input	CLIP	
	MIC	

Changing the battery

If the LCD will become dim. Please replace the battery as soon as possible.



Rotate the battery cover until the compartment opens. Pop the battery out, replace with a new one and rotate the cover clockwise until it locks. Pay attention to polarity.

Operation

1. Slide the three-position switch to "CLIP" or "MIC" position to turn on WST-650GB. Every time you turn the power on, all icons will be displayed for 1 second. The WST-650GB will turn on to the last setting.

2. When the switch is in the "CLIP" position, the "CLIP" icon is shown on the LCD. The PIEZO sensor is engaged. When the switch is in the "MIC" position, the "MIC" icon is shown on LCD, and the built-in MIC is active.

3. MIC mode

3.1. Play a single note on your instrument. The display will show the name of the note and string number closest to the pitch detected by the MIC. Make sure the note name and string number are the same note name and string number you are tuning.

3.2. Play another single note on your instrument, if the vertical arrows are moving up, that means the note is sharp; if the vertical arrows are moving down, that means the note is flat. Tune your instrument until the LCD changes to green.

4. CLIP mode

Clip WST-650GB on the strongest vibrating part of your instrument. MIC is muted. Follow the steps in #3 (above) to tune your instrument.

5. Press KEY/MODE to set flat tuning: 1/2step to 2-1/2 steps flat. b -bb -bbb -bbbb -bbbbb

6. Press KEY/MODE for 2 seconds to switch between Guitar mode and Bass mode.

7. Press PITCH to change the reference pitch from 410Hz to 490Hz (1Hz steps)

Specifications

- Tuning scale: Guitar, Bass
- Tuning range: A₀ (27.50 Hz) — C₈ (4186 Hz)
- Calibration: 410 - 490Hz (1Hz steps) A4=440 Hz
- Precision: ± 1 cent
- Tuning mode: MIC, Clip
- Power: 3V (CR2032 lithium battery)
- Power consumption:
 - Tuning mode: <10mA (battery life is more than 20 hours)
 - ? Energy saving mode: <5mA (battery life is more than 40 hours)
 - ? Power off: 3uA
 - ? Dimension: 59(L) 31(W) 15(H) mm
 - ? Weight: 38g

Remarks

1. The device will turn off automatically when there is no signal present. If you want to turn on the device again, slide the 3-position switch to OFF and then to the 'MIC' or 'CLIP' position.
2. Replace the batteries when the LCD becomes dim.

NOTES

1. The LCD is a dual-color LCD. Green means in tune, orange means sharp or flat.
2. The speed of the arrows indicate if you are close to the correct note: rapid movement: far from the note; slow movement: you're getting closer.
3. After changing the battery, the WST-650GB will revert to its original settings

IMPORTANT NOTICE TO CONSUMERS

This product has been manufactured according to strict specifications and voltage requirements that are applicable in the country in which it is intended that this product should be used. If you have purchased this product via the internet, through mail order, and/or via a telephone sale, you must verify that this product is intended to be used in the country in which you reside.

WARNING: Use of this product in any country other than that for which it is intended could be dangerous and could invalidate the manufacturer's or distributor's warranty.

Please also retain your receipt as proof of purchase otherwise your product may be disqualified from the manufacturer's or distributor's warranty.

CE mark for European Harmonized Standards

CE mark which is attached to our company's products of AC mains operated apparatus until December 31, 1996 means it conforms to EMC Directive (89/336/EEC) and CE mark Directive (93/68/EEC). And, CE mark which is attached after January 1, 1997 means it conforms to EMC Directive (89/336/EEC), CE mark Directive (93/68/EEC) and Low Voltage Directive (73/23/EEC).

Also, CE mark which is attached to our company's products of Battery operated apparatus means it conforms to EMC Directive (89/336/EEC) and CE mark Directive (93/68/EEC).

This file was downloaded from the site
mans.io

Instruction manuals and user guides

[Samsung](#)

[Pioneer](#)

[Alpine](#)

[LG](#)

[Dell](#)

[Sharp](#)

[Sony](#)

[Philips](#)

[Epson](#)

[Netgear](#)