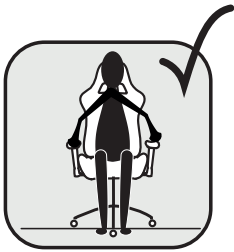
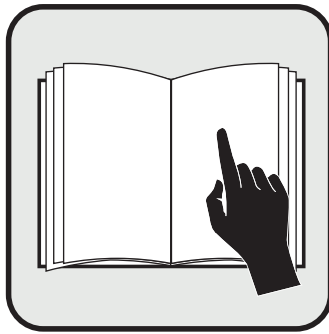
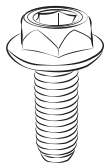
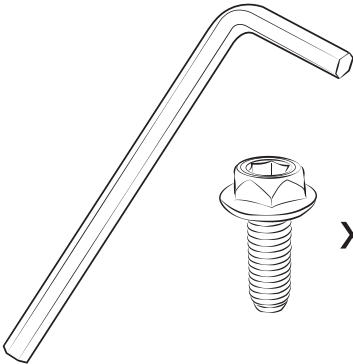
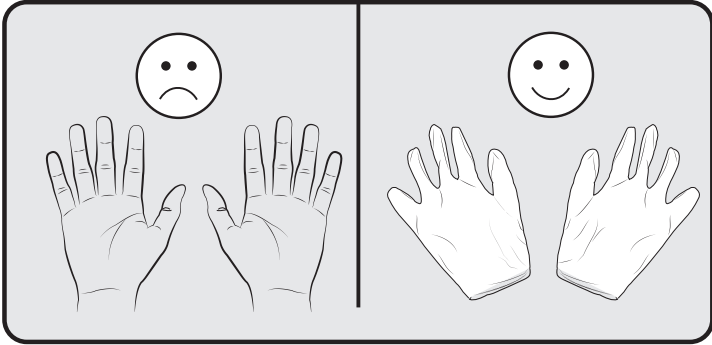
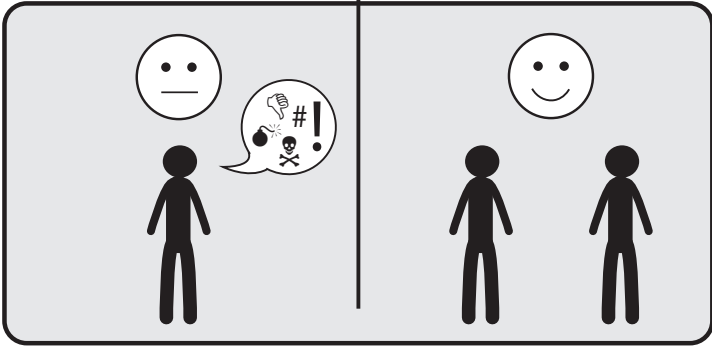


ASSEMBLY INSTRUCTIONS

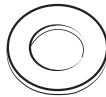
VERNAZZA / MEZZO / VERONA FAMILY







x8

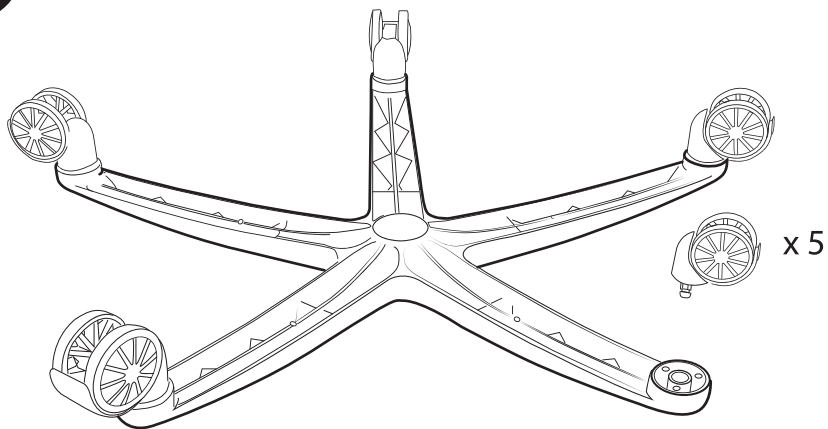


x8

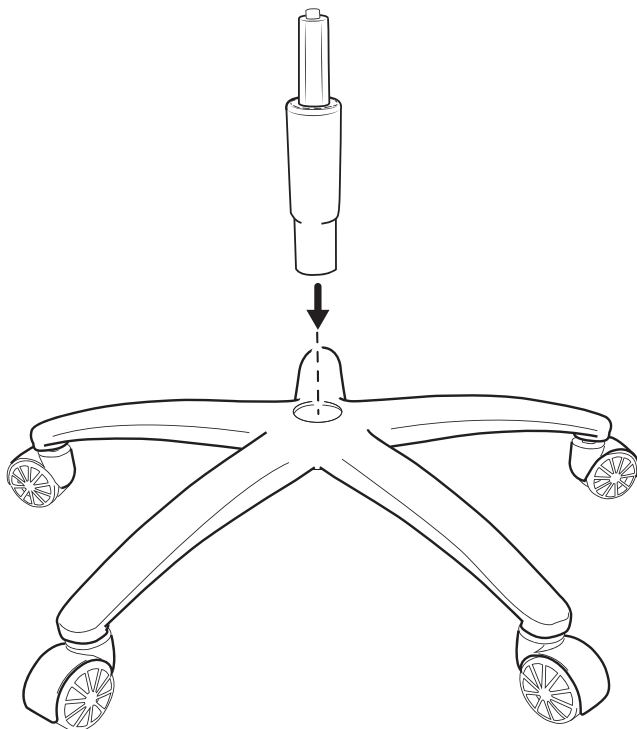


x8

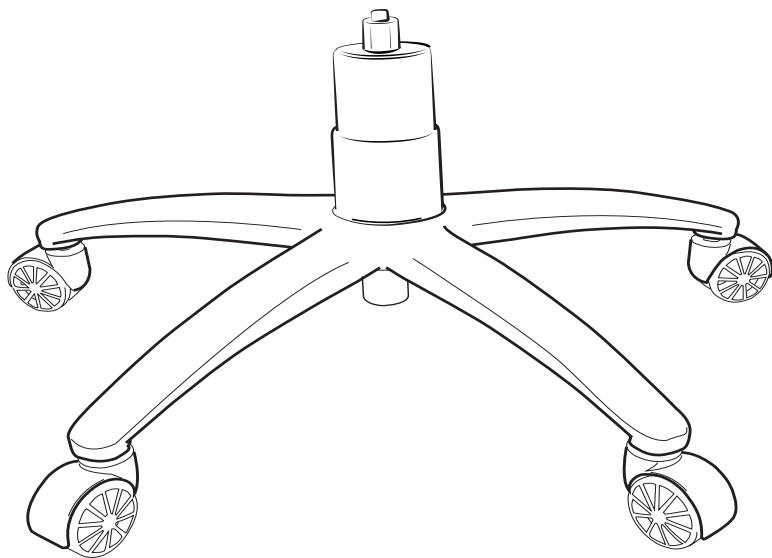
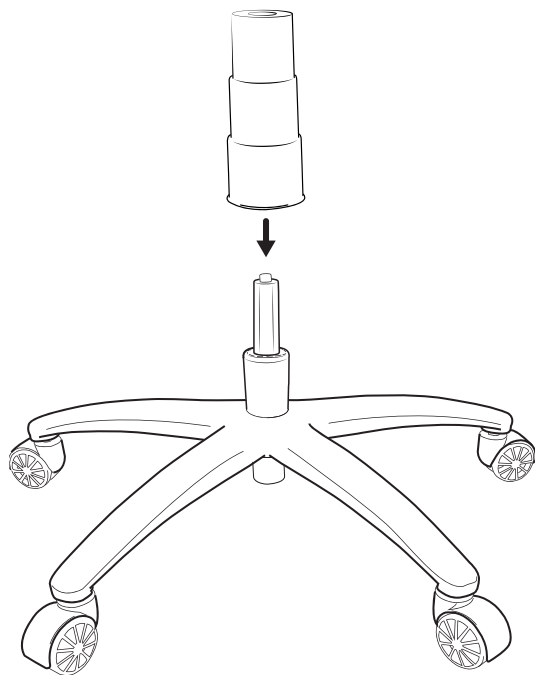
1



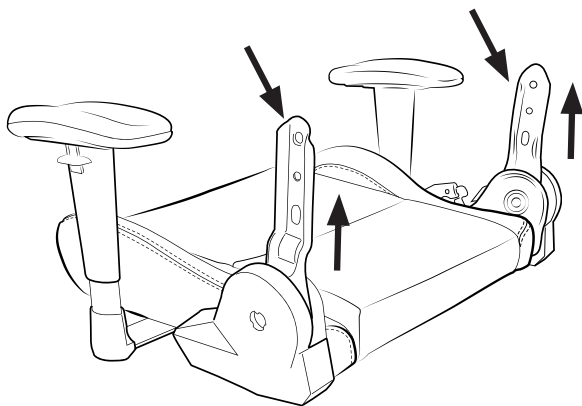
2



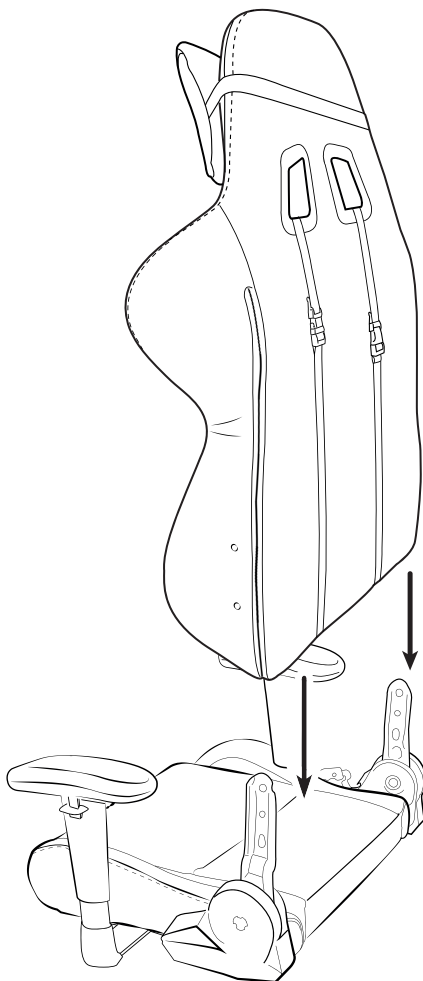
3

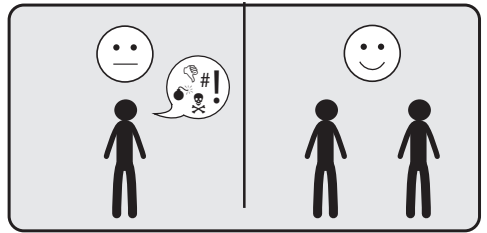
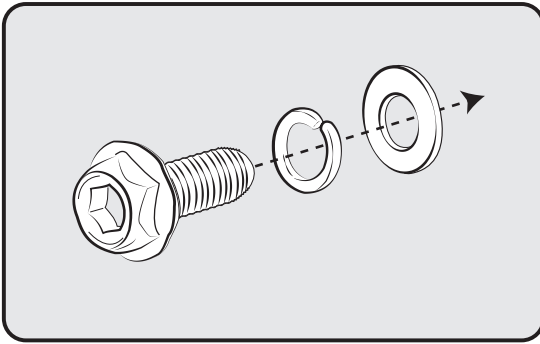


4

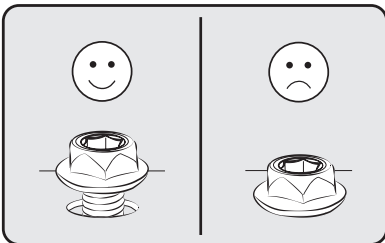
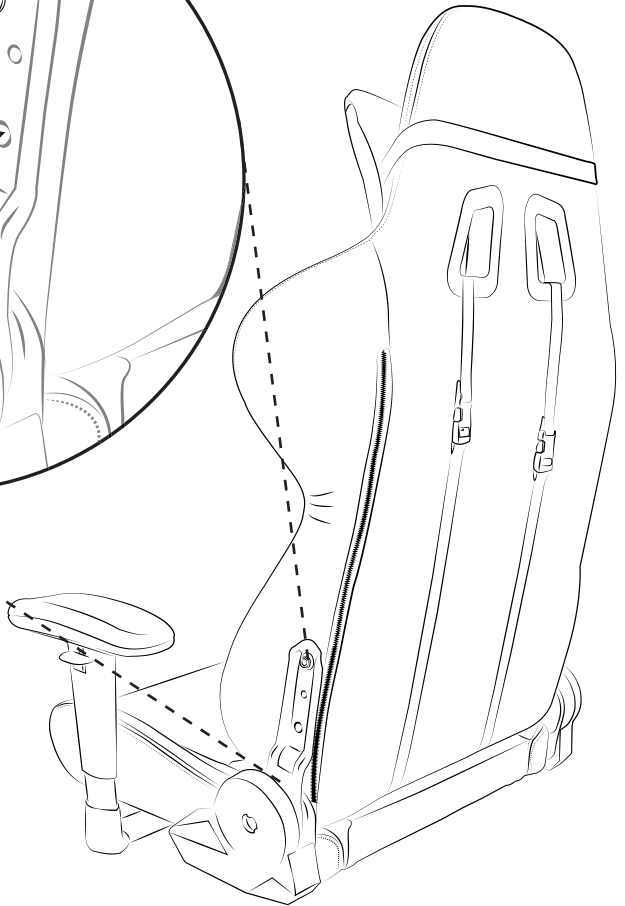
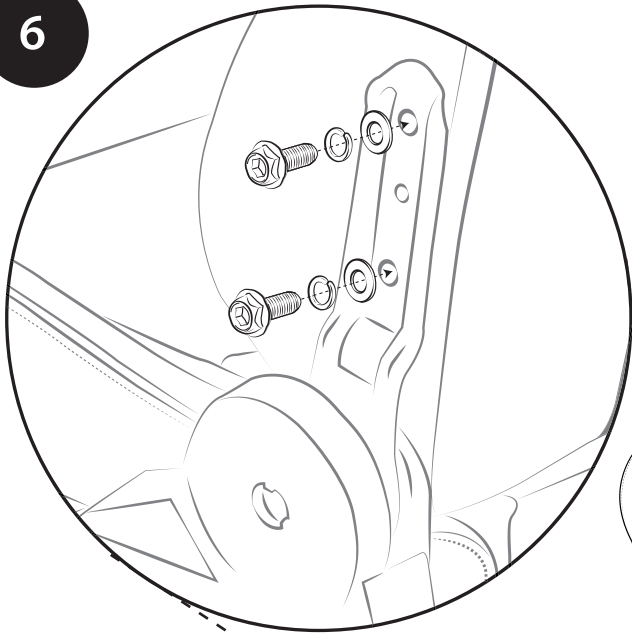


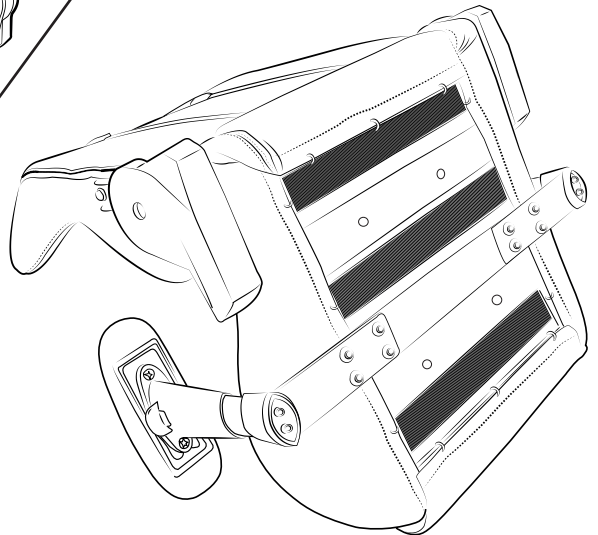
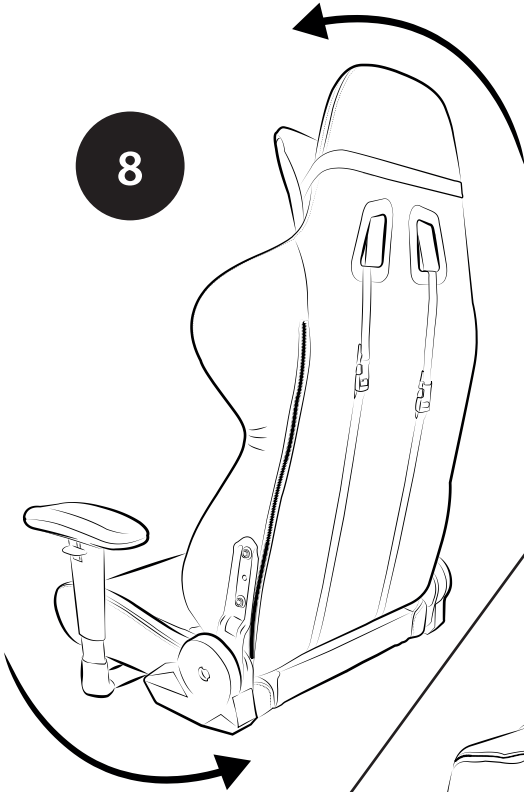
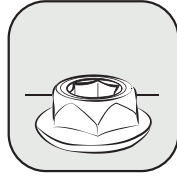
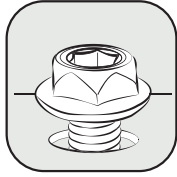
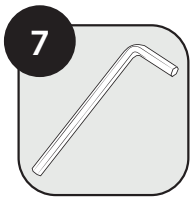
5



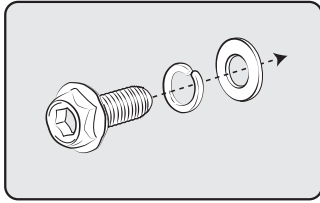
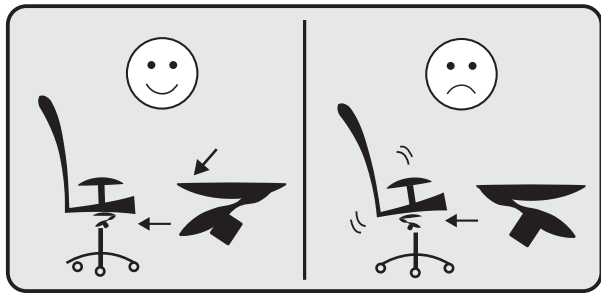


6

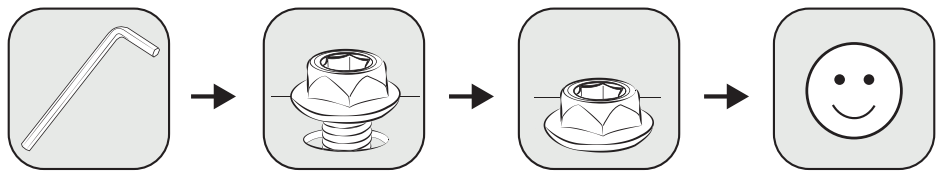
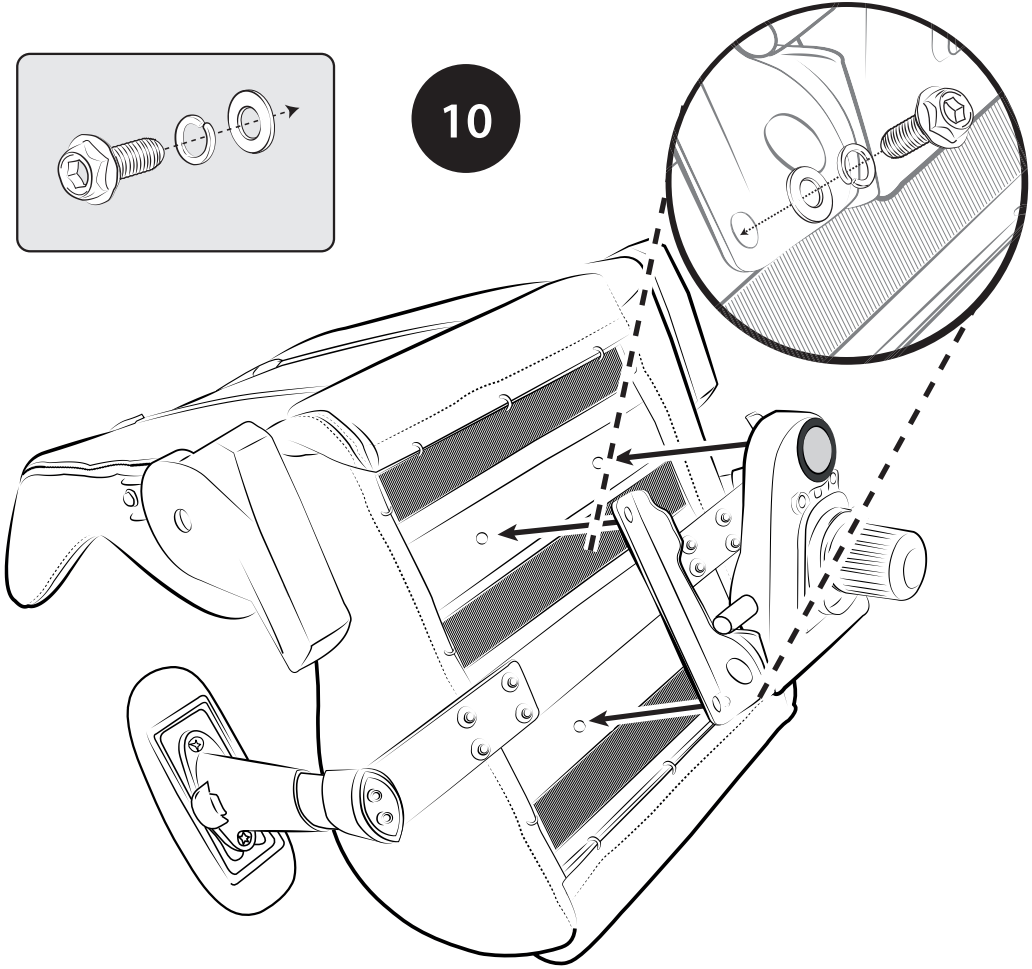




VERONA V2 PRO VERNAZZA

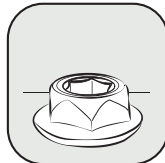
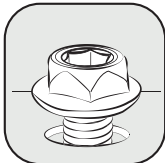
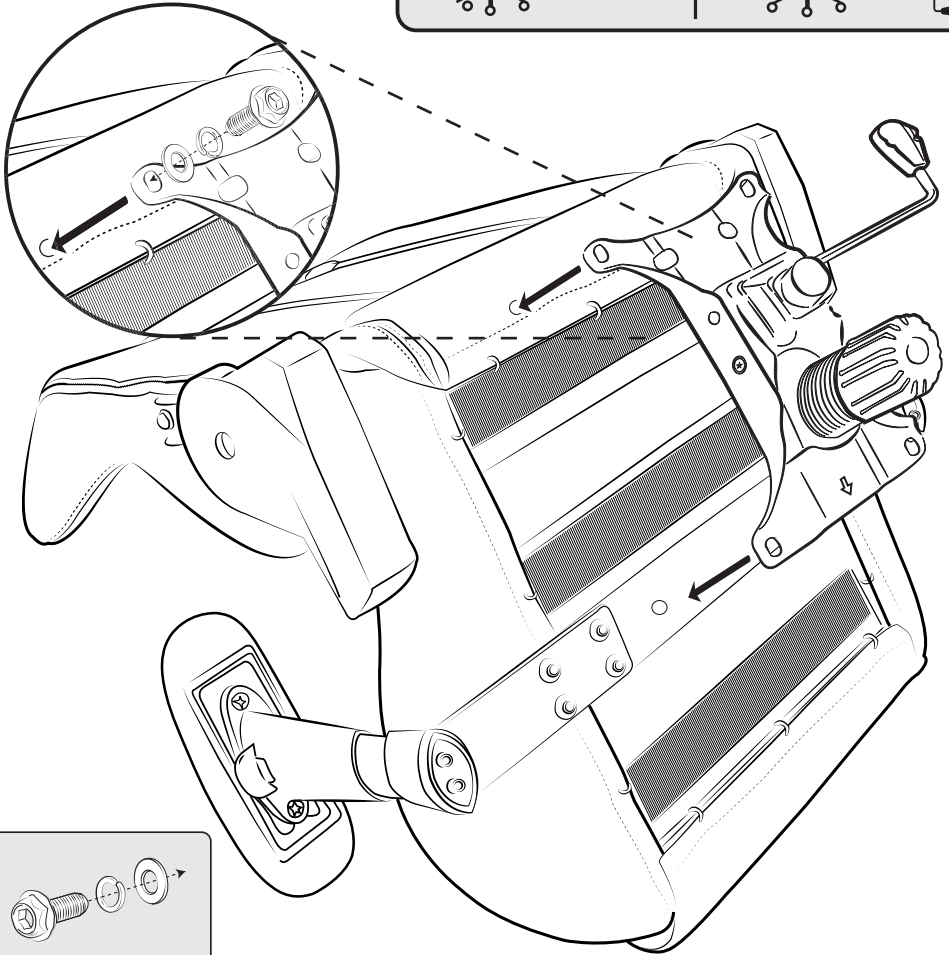
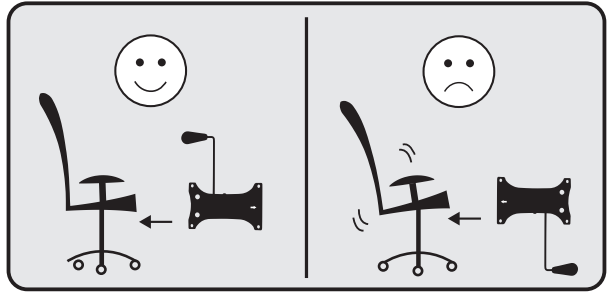


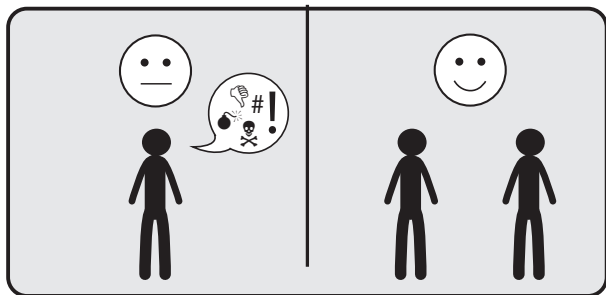
10



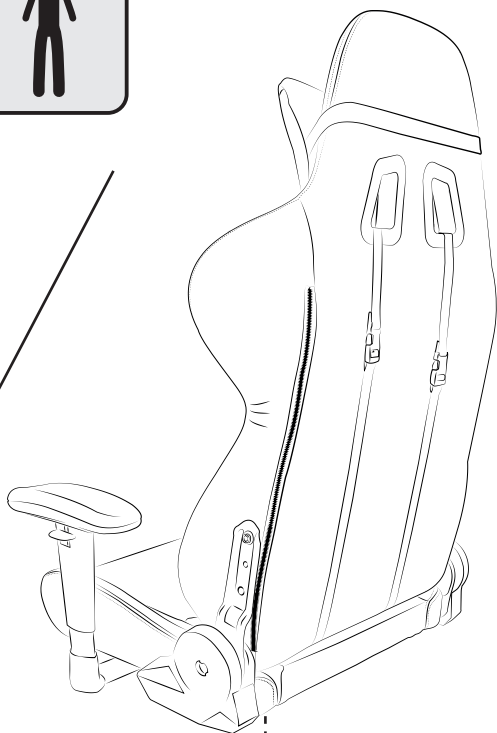
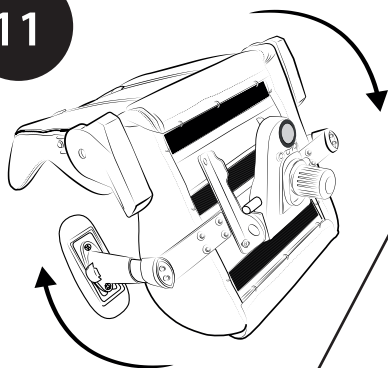
VERONA V2 MEZZO

10

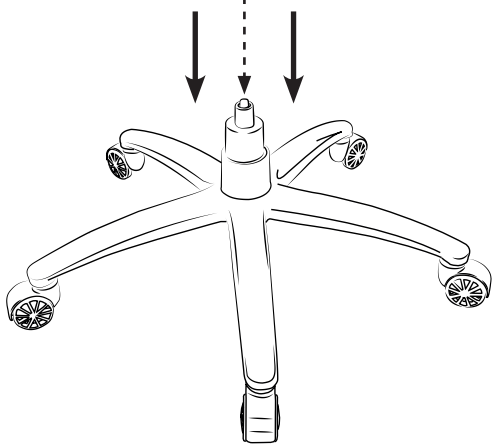




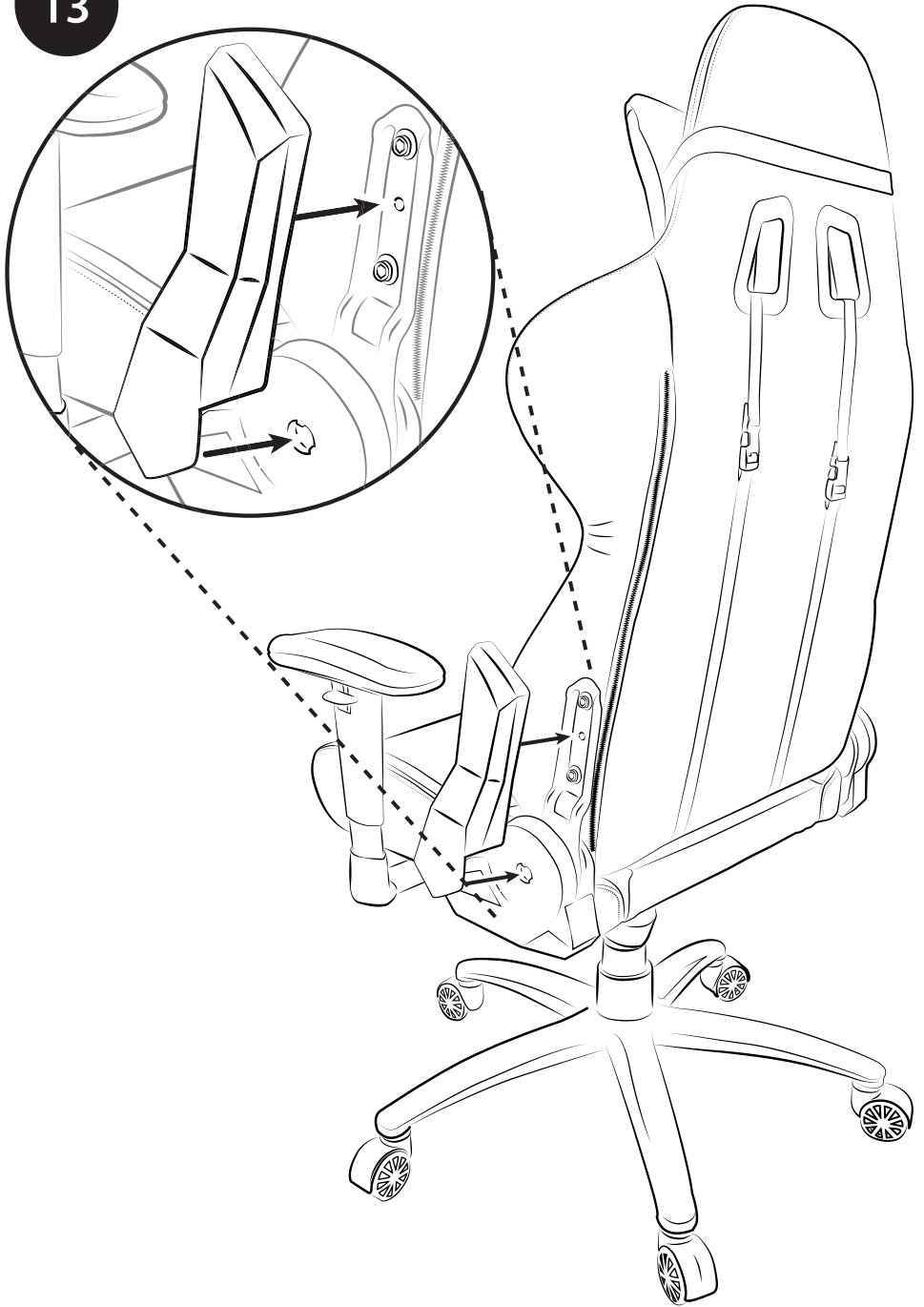
11

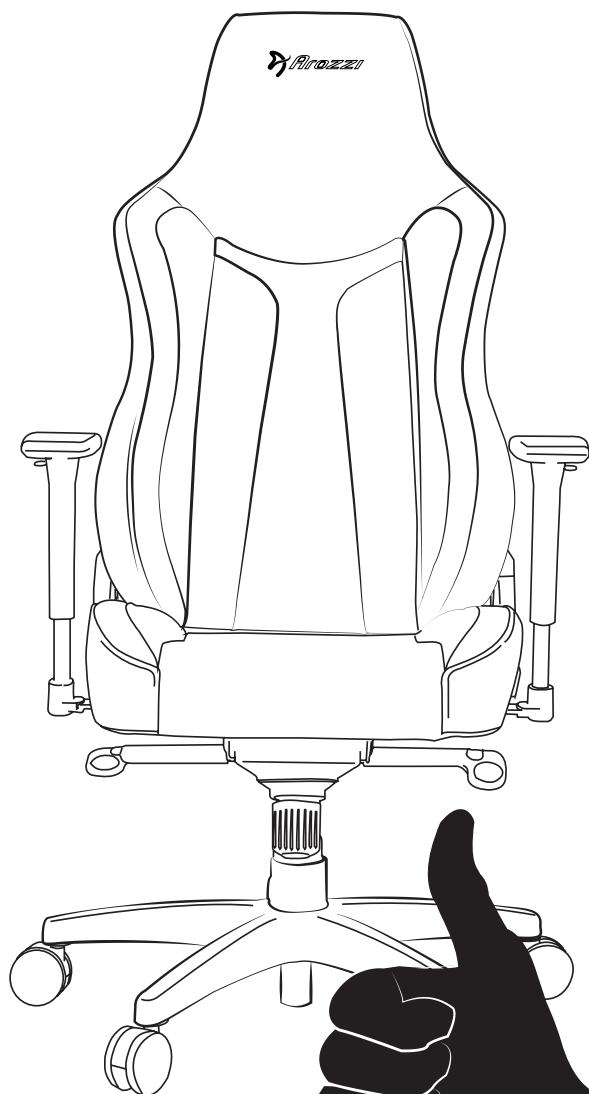


12



13







service@arozzi.com



support@arozzi.se

MORE PRODUCTS FROM AROZZI



ARENA GAMING DESK

*NOTE Monitors and mounting arms not included.



VISIONE EYEWEAR



www.arozzi.se



www.arozzi.com