

# ULTIMATE SUPPORT®

THE STRENGTH OF INNOVATION®



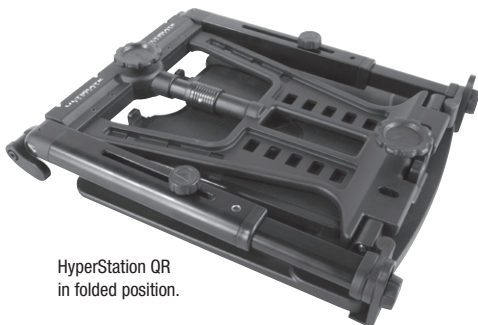
With included  
T-Stand adapter.



Mounted on microphone  
stand (5/8" thread).



HyperStation QR  
in standing position.



HyperStation QR  
in folded position.

## Product Manual

### HyperStation QR

LPT-1000 QR, 17510

### HyperMount QR

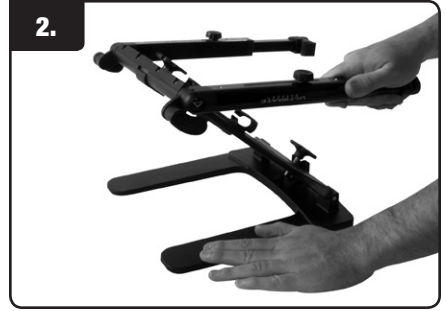
HYM-100 QR, 17511

ULTIMATE  
SUPPORT™  
LIMITED LIFETIME WARRANTY

## HyperStation QR Instructions



1. Loosen both knobs



2. While holding base, move stand into an upright position.



3. Tighten base knob.



4. Swing arms around to the front and tighten upper knob when arms are in the desired angle.

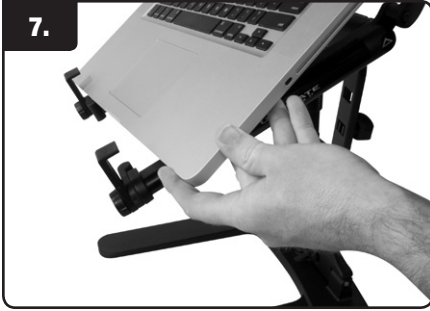


5. Loosen small arm knobs and adjust the arms to desired length.

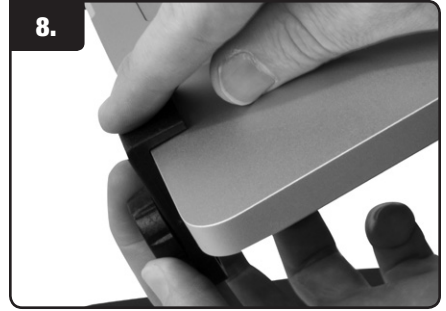


6. Adjust back bumper to desired angle. Angle will control the amount the screen tilts back.

## Laptop Stand Instructions (Con.)



7. Place computer into the support arms.



8. Loosen front clamp and front bumper to secure laptop.



9. While holding second tier at an angle, place into any of the five slots (front or back).



10. Move the cable management clips to desired slots.



## T-Stand Adapter Instructions (HyperStation QR & HyperMount QR)



1. Loosen Knob, adjust rubber front foot down, while clamp is facing up, and tighten knob.



2. Pull down on QuickRelease post to disengage support arms (for HyperStation QR).



3. Place included T-Stand Adapter into open post.



4. Place laptop into position.



5. Loosen knob and clamp laptop into place, then tighten knob.



## Mic Stand Instructions (HyperStation QR & HyperMount QR)

1.



1. Put QuickRelease bottom piece onto top of mic stand (5/8" thread).

2.



2. Pull down on QuickRelease post to disengage support arms (for HyperStation QR).

3.



3. Pull down on QuickRelease bottom piece and place arms on top of mic stand, then release QuickRelease bottom piece to lock stand in place.

4.



4. Place laptop into position.

5.



5. Loosen knob and clamp laptop into place, then tighten knob.



## AX-48 Pro Laptop Mount Instruction (HyperStation QR & HyperMount QR)



1. Screw QuickRelease bottom piece onto top of AX-48 Pro keyboard stand (must have optional AX-48TA Thread Adapter) .



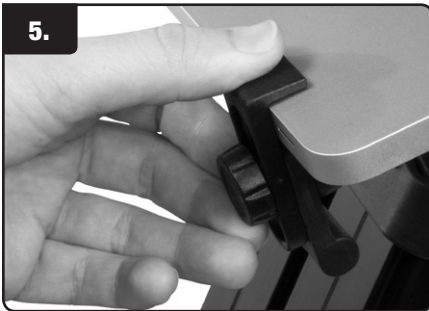
2. Pull down on QuickRelease post to disengage support arms (for HyperStation QR).



3. Pull down on QuickRelease bottom piece and place arms on top of mic stand, then release QuickRelease bottom piece to lock stand in place



4. Place laptop into position.



5. Loosen knob and clamp laptop into place, then tighten knob.



## HyperStation QR LPT-1000 QR, 17510

The HyperStation QR is a dynamic laptop stand for the working DJ and traveling musician. The HyperStation QR features angle-adjustable telescoping support arms that support laptops, small mixers, groove production electronics, drum pad controllers, and more and has a height-adjustable second tier. Mobile music production demands both portability and durability and the HyperStation QR delivers on both accounts. It folds down flat as one piece, fitting into just about any gig bag or backpack while being far more durable than typical wire frame laptop stands.



## HyperMount QR HYM-100 QR, 17511

The HyperMount QR is a dynamic laptop stand that mounts to any 5/8" threaded stand – such as a microphone stand or an Ultimate Support APEX AX-48 Pro keyboard stand – but also sits on a desktop with the included T-stand adapter. The HyperMount QR features angle-adjustable telescoping support arms that support laptops, small mixers, groove production electronics, drum pad controllers, and more.





## Warranty Registration

**Visit [www.ultimatesupport.com](http://www.ultimatesupport.com)** for a quick and convenient process for registering your new Ultimate Support product. Warranty Registration and Proof of Purchase are required for warranty fulfillment. Full Limited Lifetime Warranty and Ultimate Protection Plus Premium Service and Support Plan details are available online under Music Gear & Instrument Stands / Customer Support.

**ULTIMATE**  
SUPPORT®

### LIMITED LIFETIME WARRANTY

Ultimate Support products are constructed of the finest materials and designed and tested to stand up to the demanding lifestyle of the touring musician, gigging DJ, and working sound engineer. In the unlikely event that a product should fail due to manufacturing defect, Ultimate Support is pleased to repair or replace that product.

**Please see [www.ultimatesupport.com](http://www.ultimatesupport.com) for more information.**

This warranty applies to the original purchaser only and does not include damage to the product resulting from normal wear and tear, accident, misuse, improper installation or operation, or unauthorized repair or alterations.